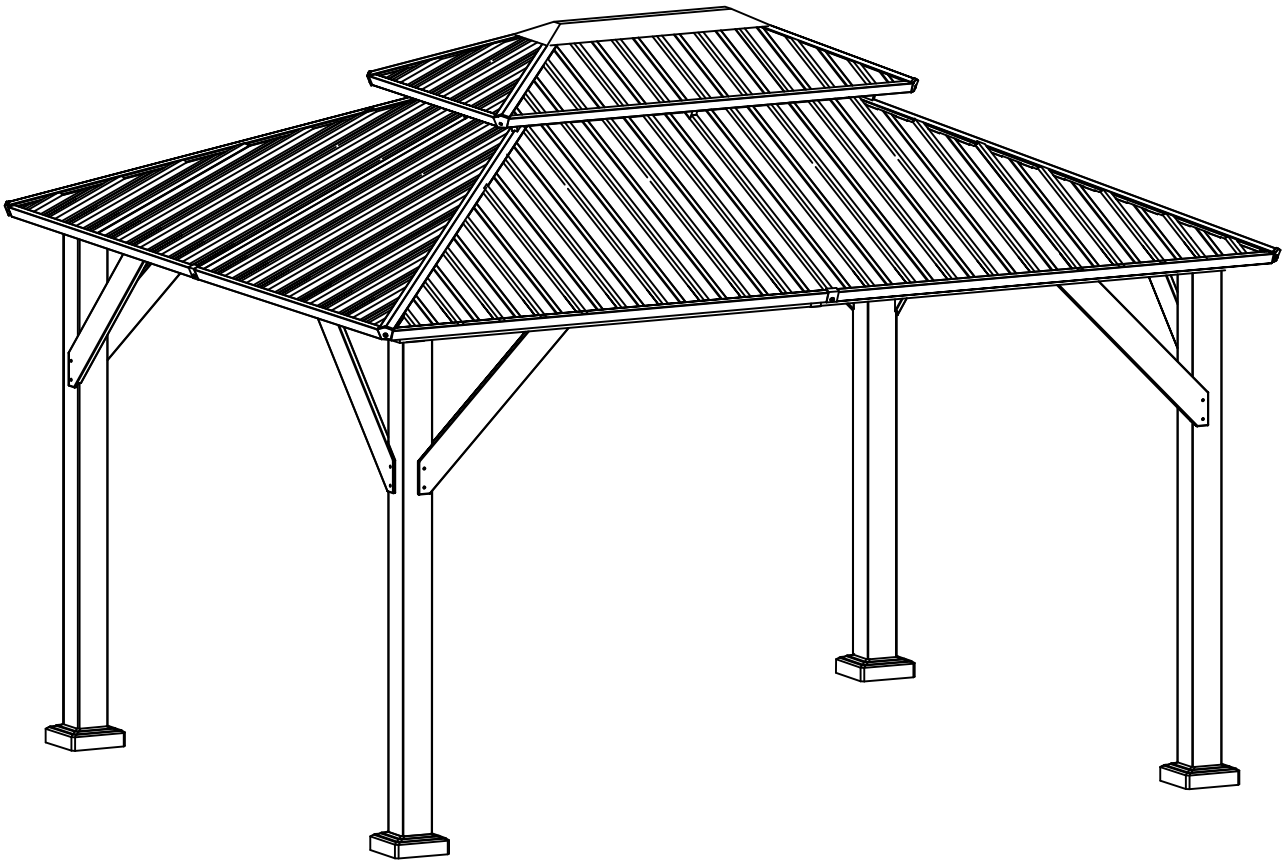


# Assembly Instruction

MODEL:YGZ003

PRODUCT SIZE:10\*12FT

PLEASE READ CAREFULLY BEFORE ASSEMBLY



SKU:

YGZ003-2A3A1 (BOX 1/4)

YGZ003-2A3A2 (BOX 2/4)

YGZ003-2A3A3 (BOX 3/4)

YGZ003-2A3A4 (BOX 4/4)

Arrive in 4 separate boxes and may not be part of the same shipment;  
Please install the product after receiving all the packages.

Email Address:[support@amer-life.com](mailto:support@amer-life.com)

Tel: +1 (901) 347-2181

Service Time: 8 am - 5 pm (central time) Monday- Friday.

If no one picks up, please call several more times

Revision Date: 2023122

# Table of Contents

1. Notes	page 1-2
2. Packing List	page 3-4
3. Product Explosion Diagram (Wooden Frame, Top Profiles, Boards)	page 5-7
4. Installation Steps for Wooden Frame	page 8-12
5. Installation Steps for Top Profiles	page 13-16
6. Installation Steps for Boards	page 17-24

# BEFORE YOU START

---

## Owner's Manual

Prior to installation, it is important that you contact your local government authority to determine if building approval is required. Study and understand this owner's manual.

Important information and helpful tips will make your construction easier and more enjoyable.

## Assembly instructions

Instructions are supplied in this manual and contain all appropriate information for your building model.

Review all instructions before you begin. During assembly, follow the step sequence carefully for correct results. Please be aware: **this unit takes two people about one full day to complete.**

## Parts

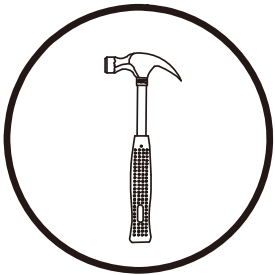
Check to be sure that you have all the necessary parts for the building.

Separate contents of the carton by the part number while reviewing parts list.

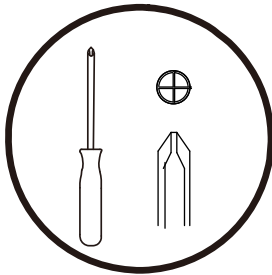
Familiarize yourself with the hardware and fasteners for easier use during construction. These are packaged within the carton. Note that extra fasteners have been supplied for your convenience.

# TOOLS MY REQUIRED

---



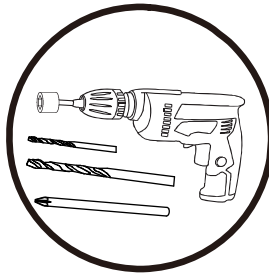
Hammer



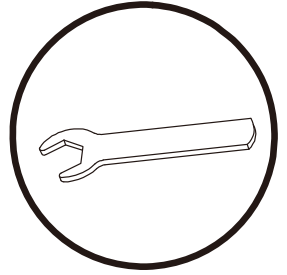
Screwdriver



Ladder



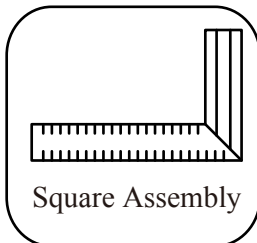
Electric screw driver



Wrench

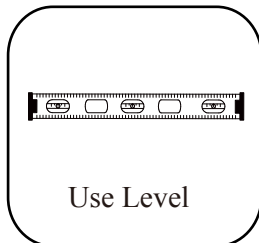


This identifies information that requires special attention. Improper assembly could lead to an unsafe or dangerous condition.



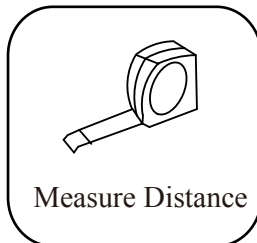
Square Assembly

Check that assembly is square before tightening bolts.

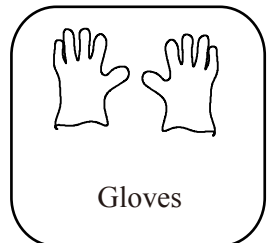


Use Level

Check that set or assembly is properly level before proceeding.



Measure Distance



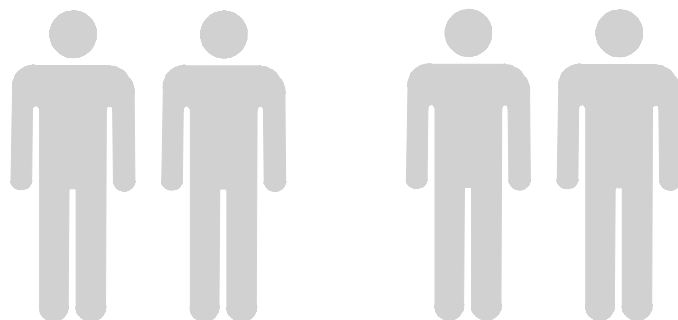
Gloves

# IMPORTANT

---

**How many people needed for the installation work**

**Requires Four people and take 7-10 hours for installation.**



## PLAN AHEAD

---

### Site Selection

I Avoid overhanging trees as much as possible as leaves will make regular cleaning necessary and broken branches are a potential hazard.

I Small trees, bushes or fences nearby can be helpful, acting as a wind break.

### Site Preparation

The site must be prepared so that the base of the shed is level all round and checking with a spirit level is required.

The base can be constructed by treated timber or concrete, in order to stop the moisture getting into the shed.

**The shed is not designed to be built onto lawn directly.** Also the ground will get muddy during rainy days.

If a concrete pad is made, it is important that this slopes towards the edges to prevent water ingress.

Time must be allowed for any concrete or cement to dry before building the shed on top.

Bases can also be constructed from bricks, blocks, or mounted on a concrete pad.

The bricks or blocks should be cemented onto firm and level concrete footings and the greenhouse frame drilled and screwed to the base.

## IMPORTANT NOTES:

---

Find someone to help you: it is much easier with someone to hold parts, pass tool sect. Also some steps require two people to lift structures together. This is not very heavy work so would suit most able-bodied people.

Allow plenty of time: rushing often causes errors and the re-doing of incorrect assemblies. If you have never built a shed before, it can take most of a day to carefully complete the construction.

Have the right tools to hand.

Safety clothing as recommended in the 'Tools' section.

Ideally let out the parts and check that all are present before commencing construction. Lay on cloths or plastic sheets if there is any risk of scratching the parts.

Tighten all nuts carefully, being sure not to miss any. Check the frame is square and using a spirit level to check that it is upright.

For your safety concern, please do not stand under the metal shed in heavy wind or snow days.

For safety, please use expansion screws to reinforce the posts to the ground.

Please clear the snow off the roof in time for the heavy snowfall.

Make sure all screws are tightened before use.

Repeat to confirm all screws, buckles and straps every 90 days.

Please keep all screws loose during the assembly process and tighten them after completing the installation.

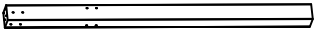
Do not use or store objects in the Metal Shed with open flames or flammable chemicals.

Please note that some parts have sharp edges and should be handled with gloves.


If any parts are missing, broken, damaged or worn, discontinue use of the product until repairs are made or factory replacement parts are installed.

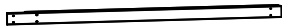
Installation of the product in a manner that does not conform to the manufacturer's instructions may result in the loss of the warranty policy for this product.


BOX1

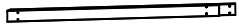
	A	4
---	---	---

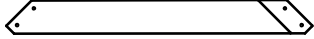
BOX2

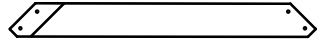
	B	2
---	---	---


	B1	2
---	----	---


	C	2
---	---	---

	C1	2
---	----	---


	F	4
---	---	---

	F1	4
---	----	---


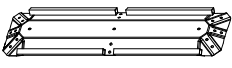








 M8*45	X	16
--	---	----



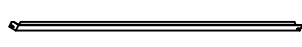
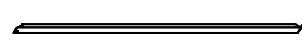









 M8*20	X1	20
--	----	----



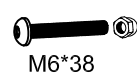

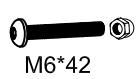



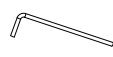

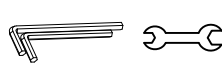
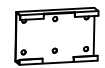

 M8*35	X2	32
--	----	----

		1
---	--	---


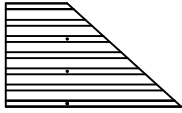
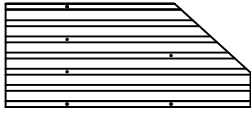
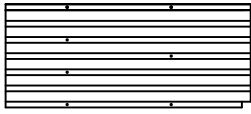



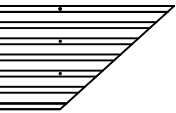
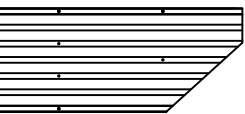
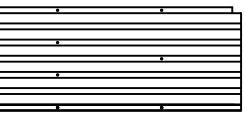
# BOX3



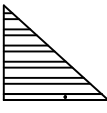
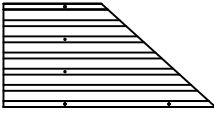
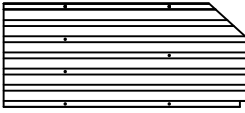
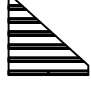
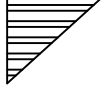
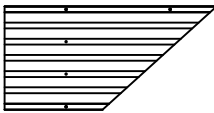
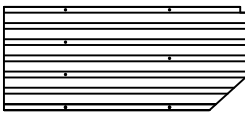

	K	1
	K1	1
	L	4
	M1	4
	M2	8
	M3	8
	M4	8
	M5	88
	M7	2
	M8	4

	D	4
	E	4
	G1	2
	G2	2
	G3	2
	G4	2
	G5	2
	G6	2
	G7	2
	G10	2
	I1	4
	H	4
	H1	4

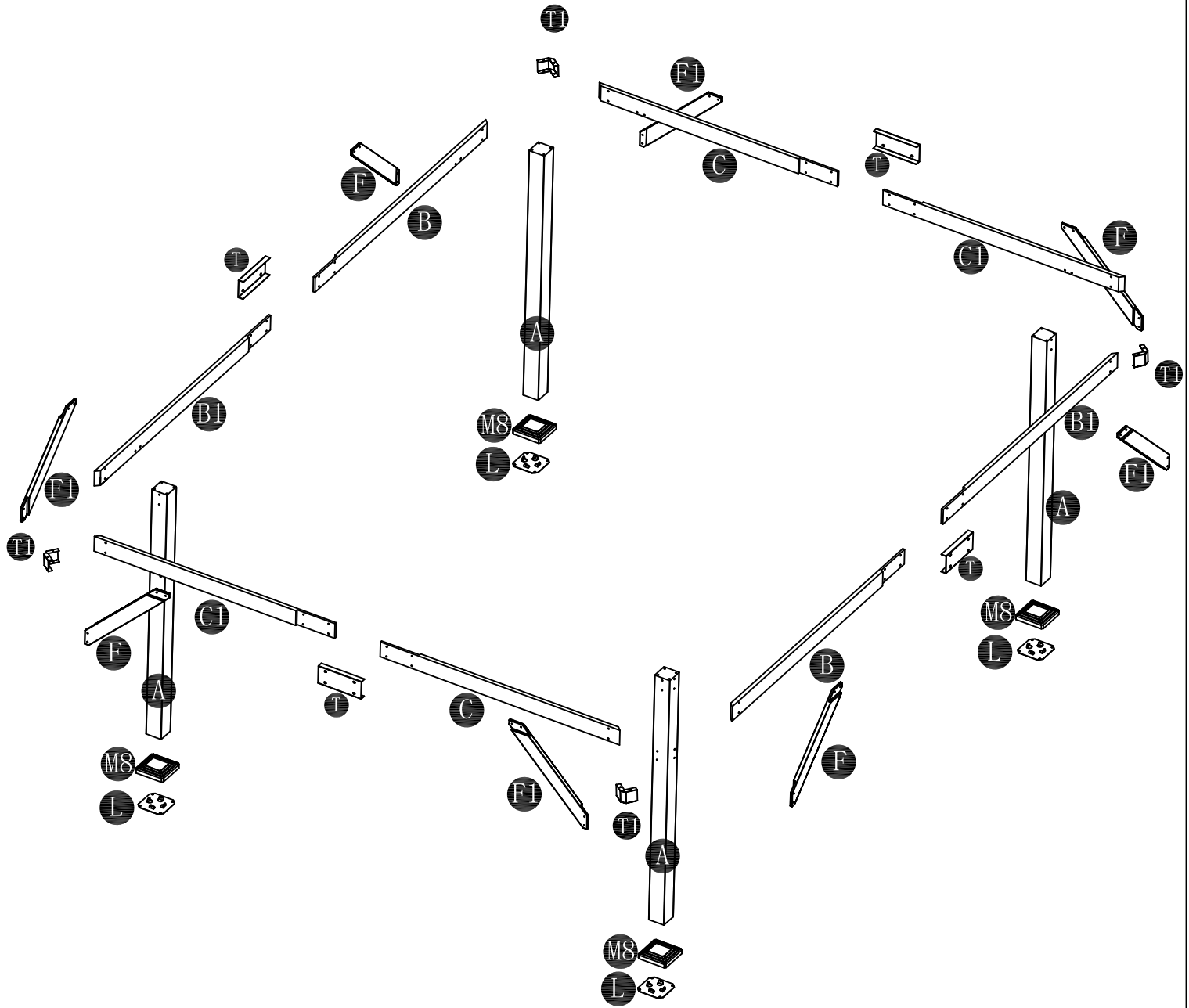
	H2	4
	H3	4
 M6*38	X5	4
 M6*15	X6	97
 M6*42	X7	88
 M6*30	X8	4
 4*15	X9	32
	W	16
		8
		8
		1
	T	4
	T1	4

# BOX4

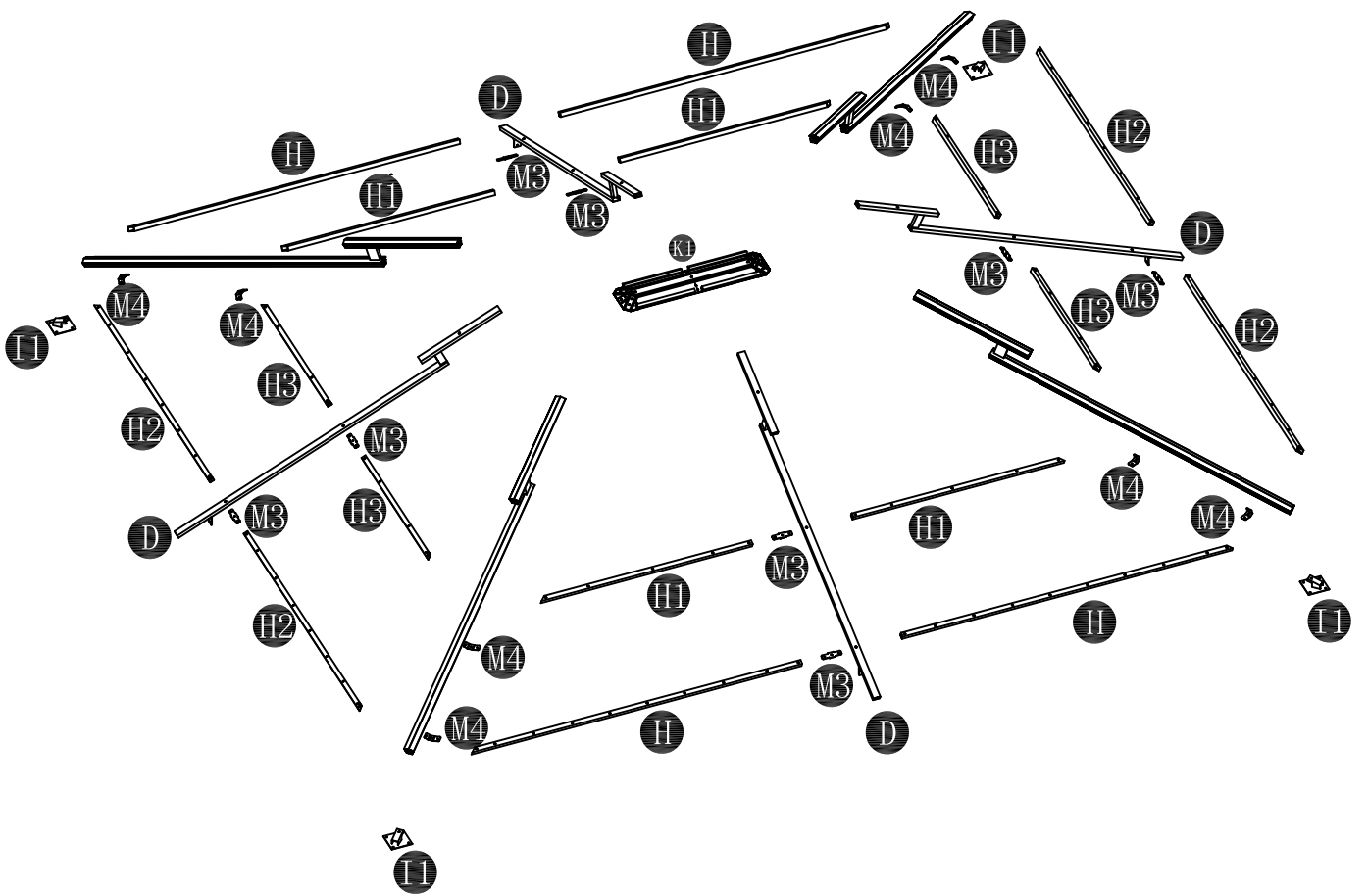
	N1	2
	N2	2
	N3	2
	N4	2
	N6	2
	N7	2
	Y1	2
	Y2	2
	Y3	2
	Y4	2

	Y6	2
	Y7	2
	O1	2
	O2	2
	O3	2
	O5	2
	V1	2
	V2	2
	V3	2
	V5	2

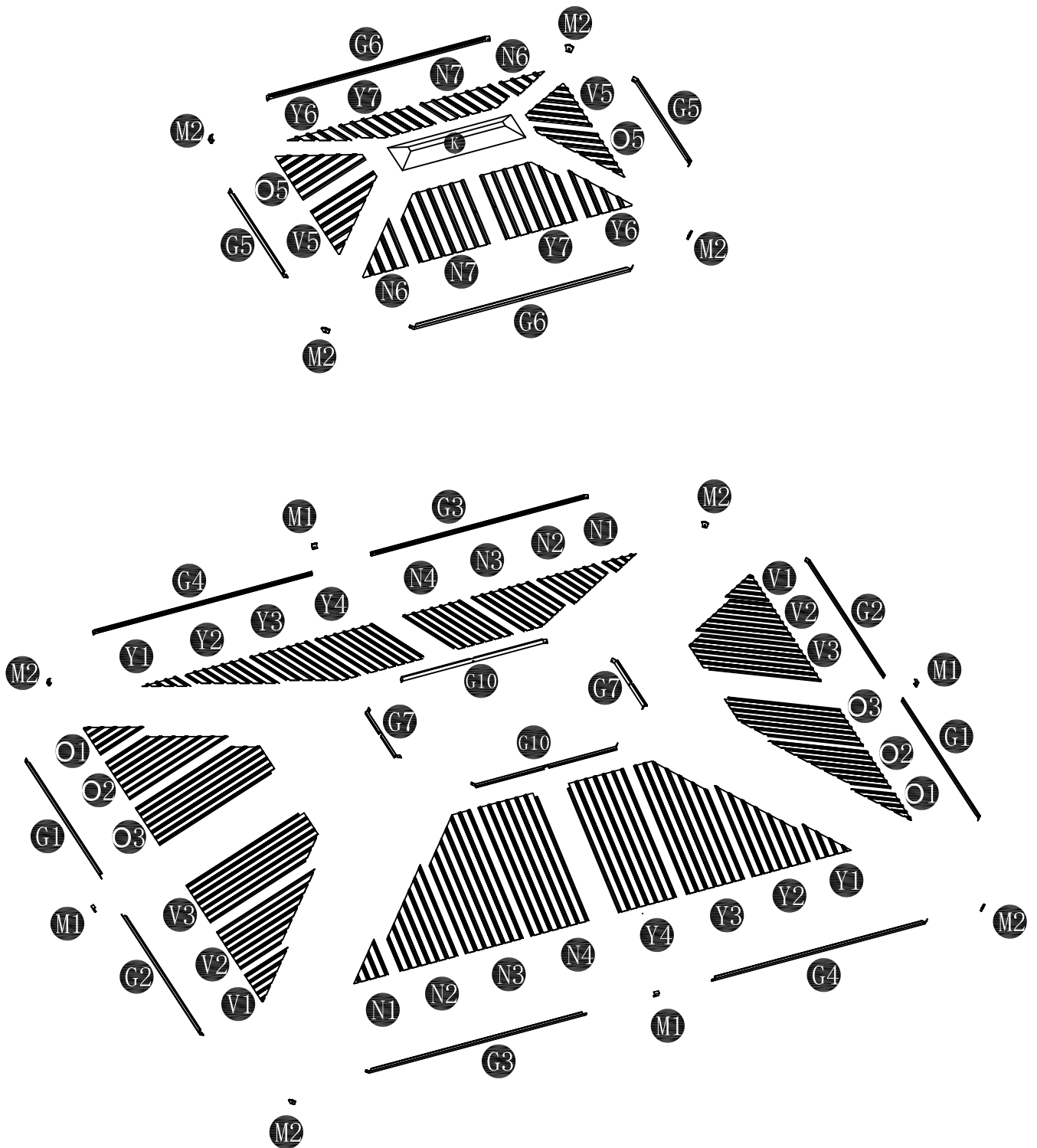
# Structure 、 Framework



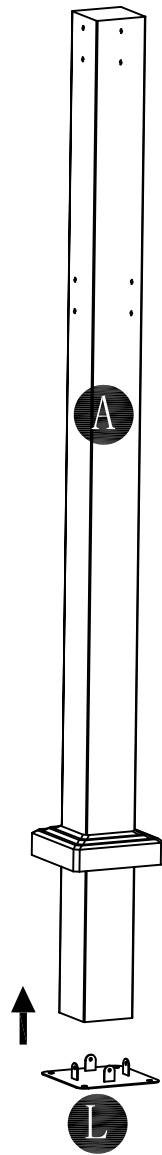
# Roof



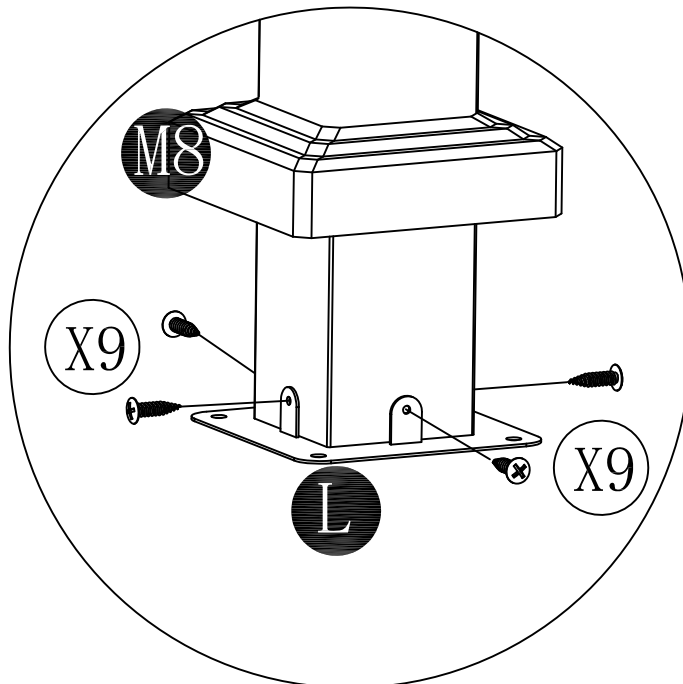
# Iron sheet 、 Iron material



step1

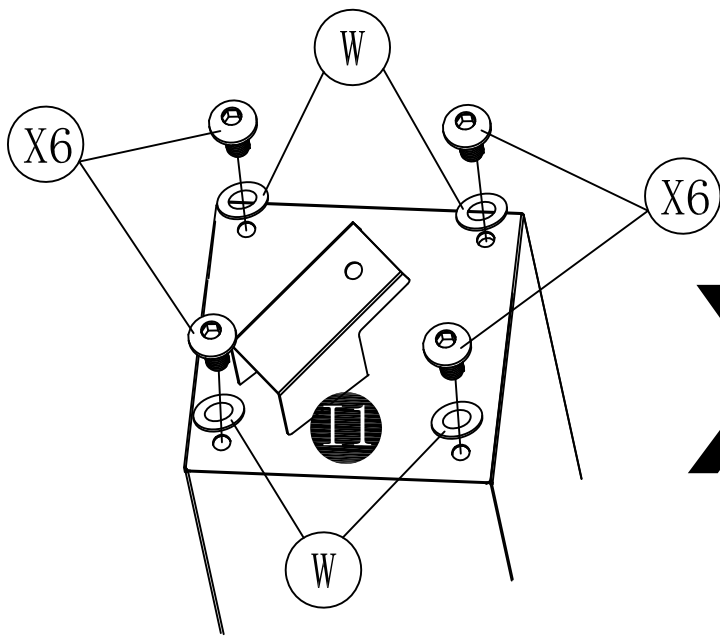


A		4
L		4
M8		4
X9		16

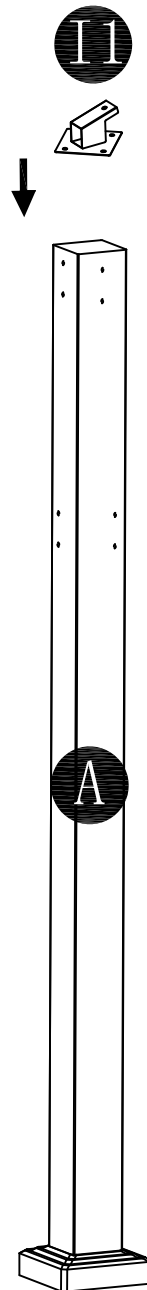


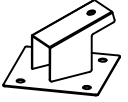


**X4**

step2

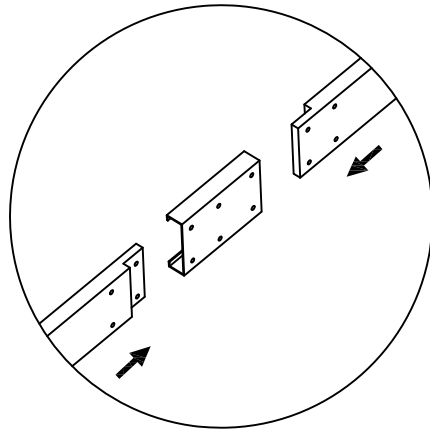
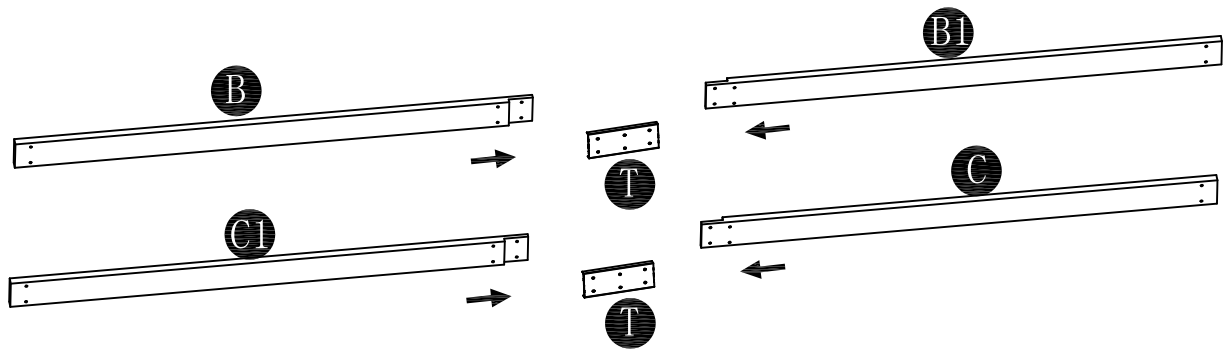


X4

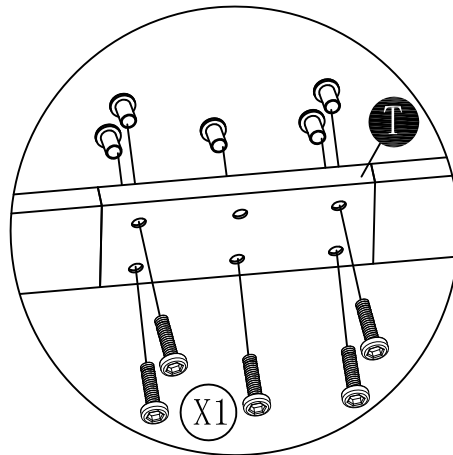


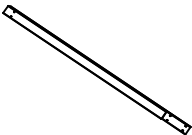
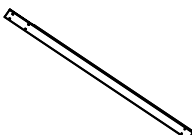
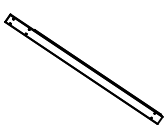
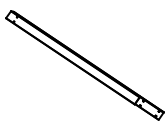


I1		4
W		16
X6	 M6*15	16

step3

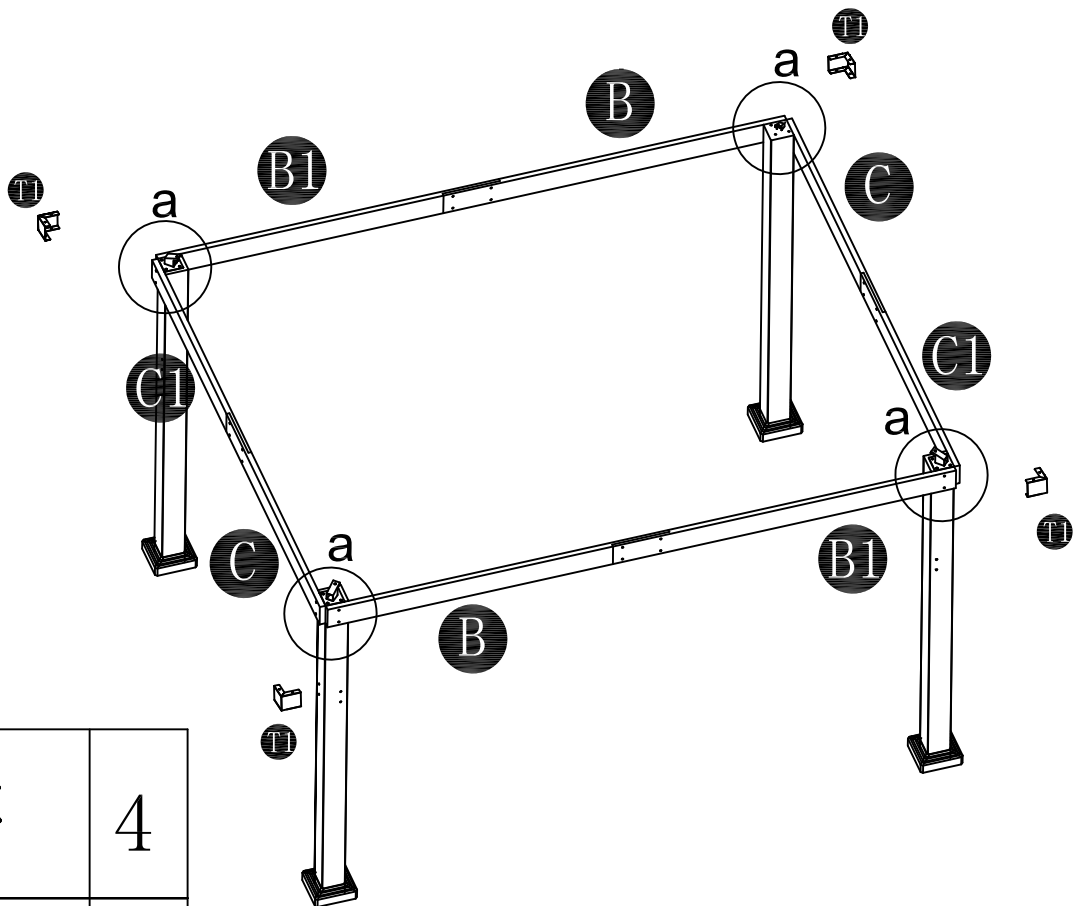
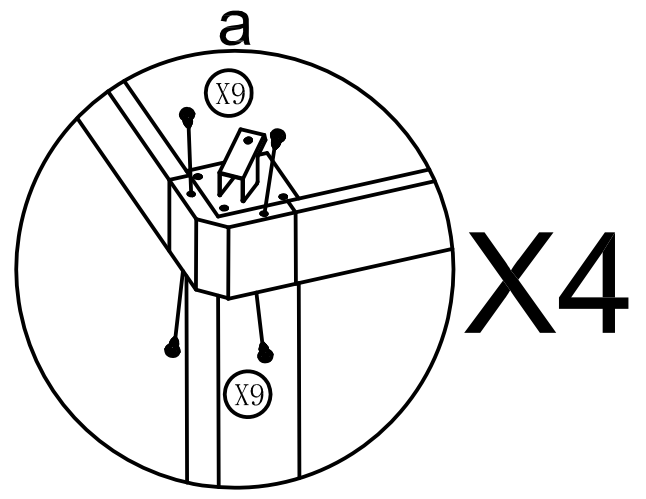
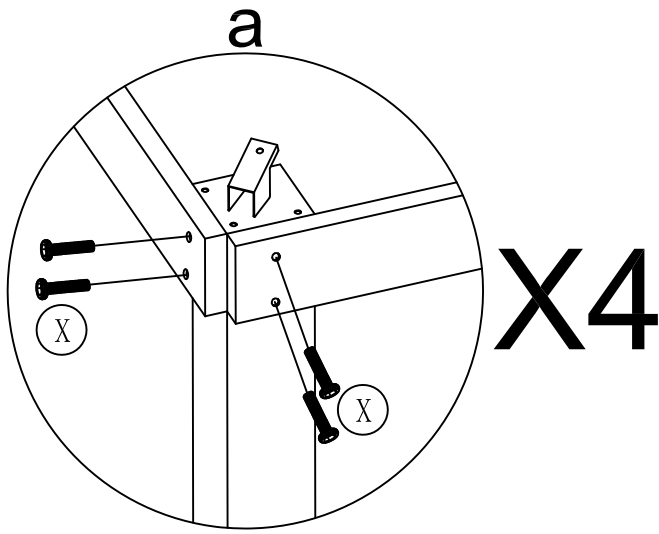





**X4**



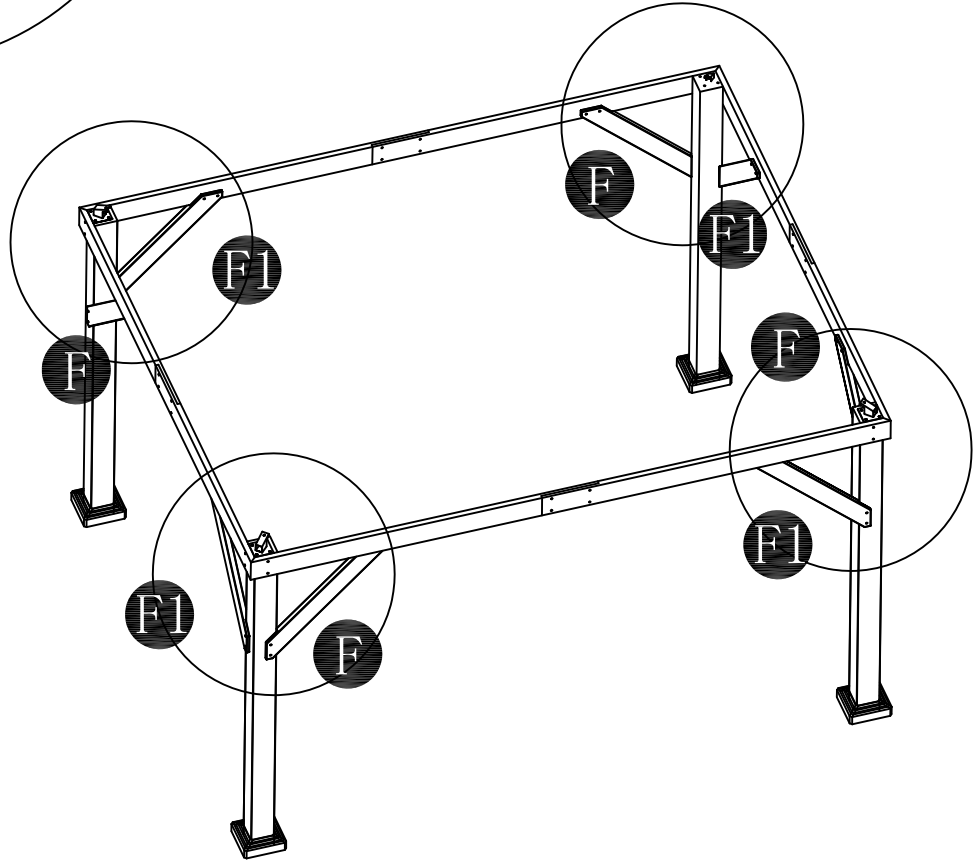
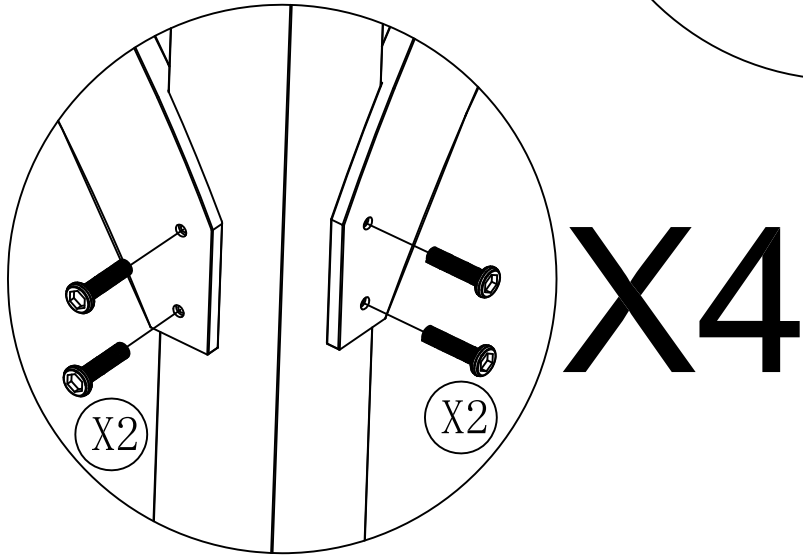
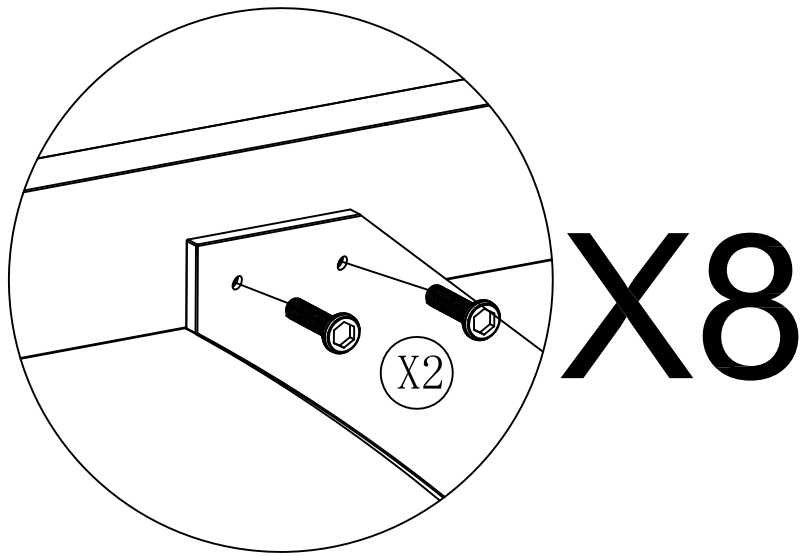
B		2
B1		2
C		2
C1		2
T		4
X1	 M8*20	20

step4



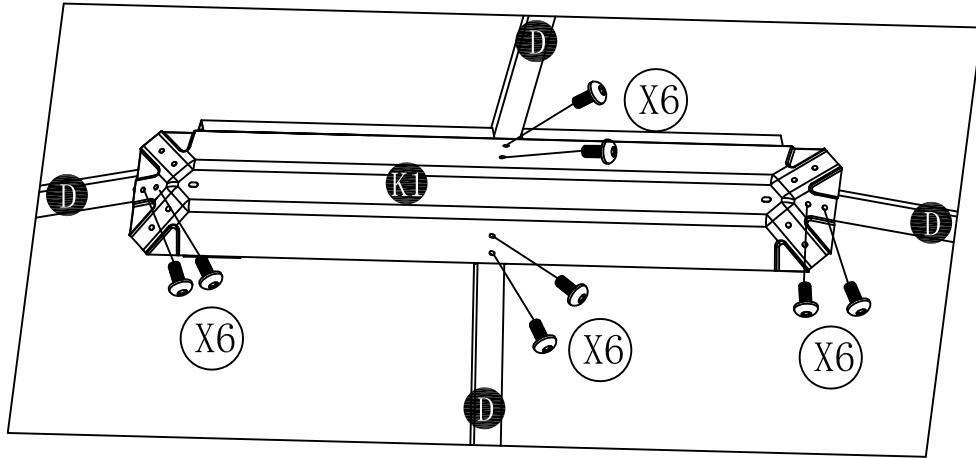
T1		4
X9	 4*15	16
X	 M8*45	16

step5

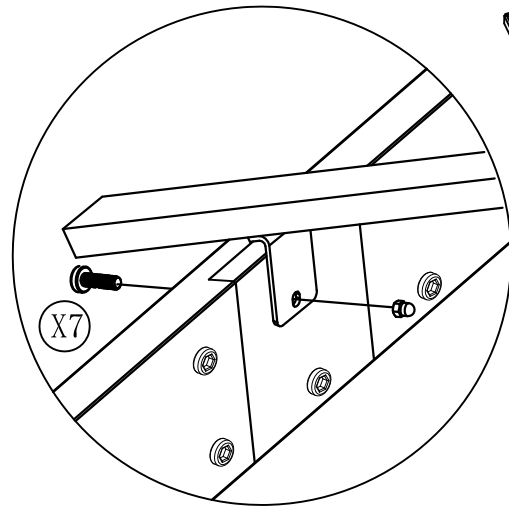
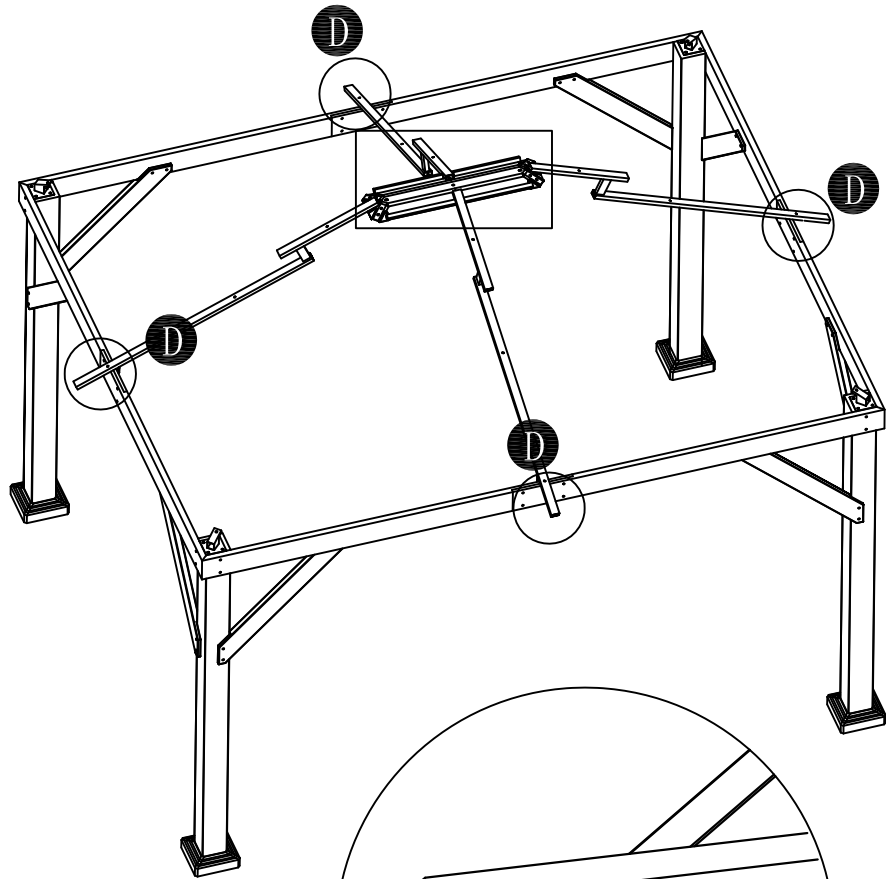


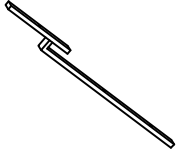
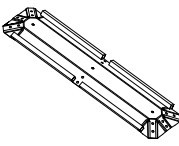


F		4
F1		4
X2	 M8*35	32

step6

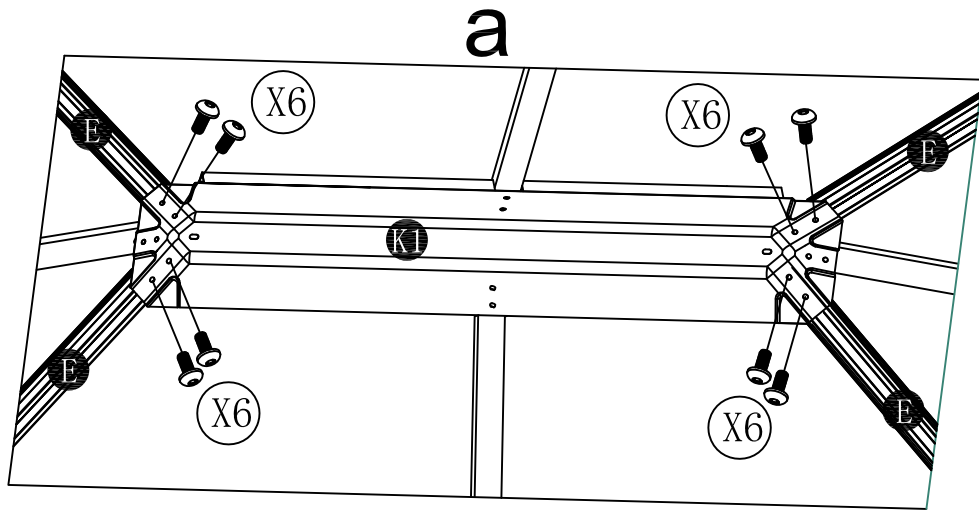


Internal View

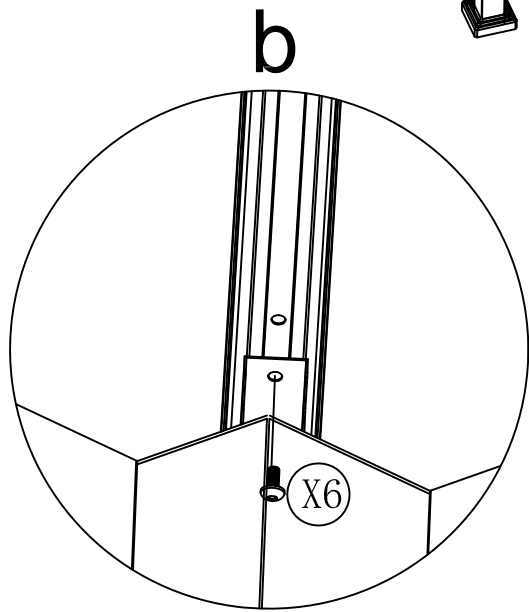
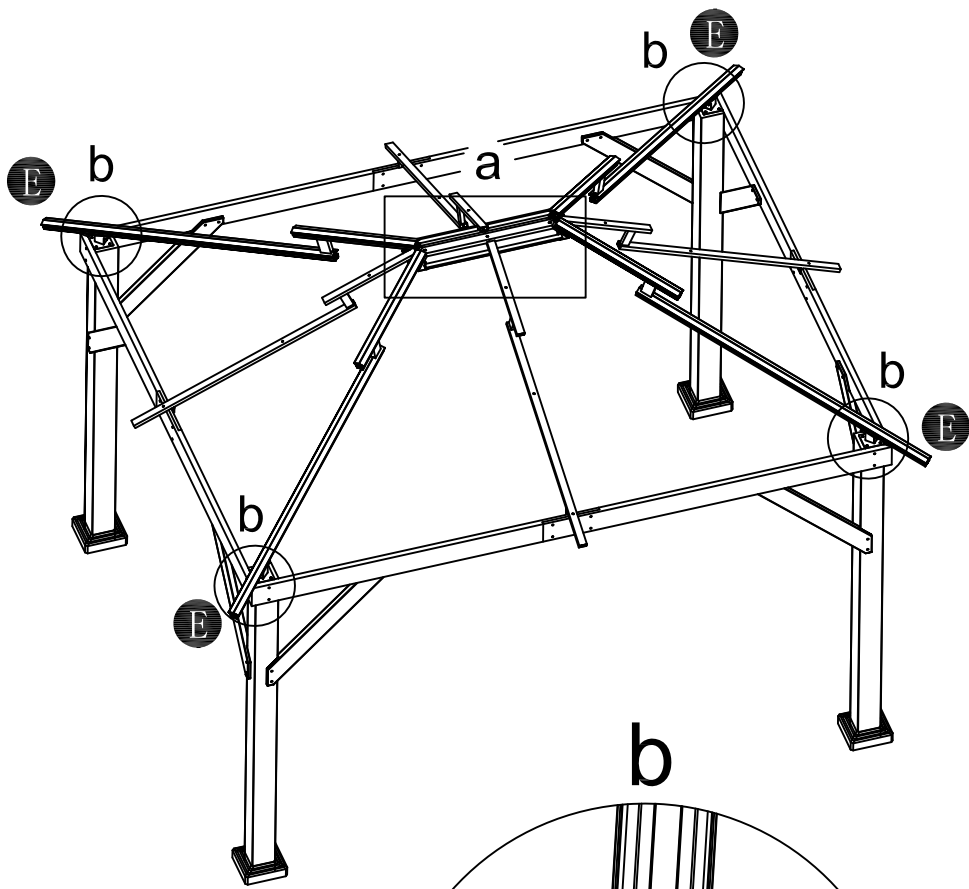


D		4
K1		1
X6	 M6*15	8
X7	 M6*42	4

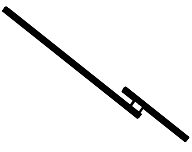

step7



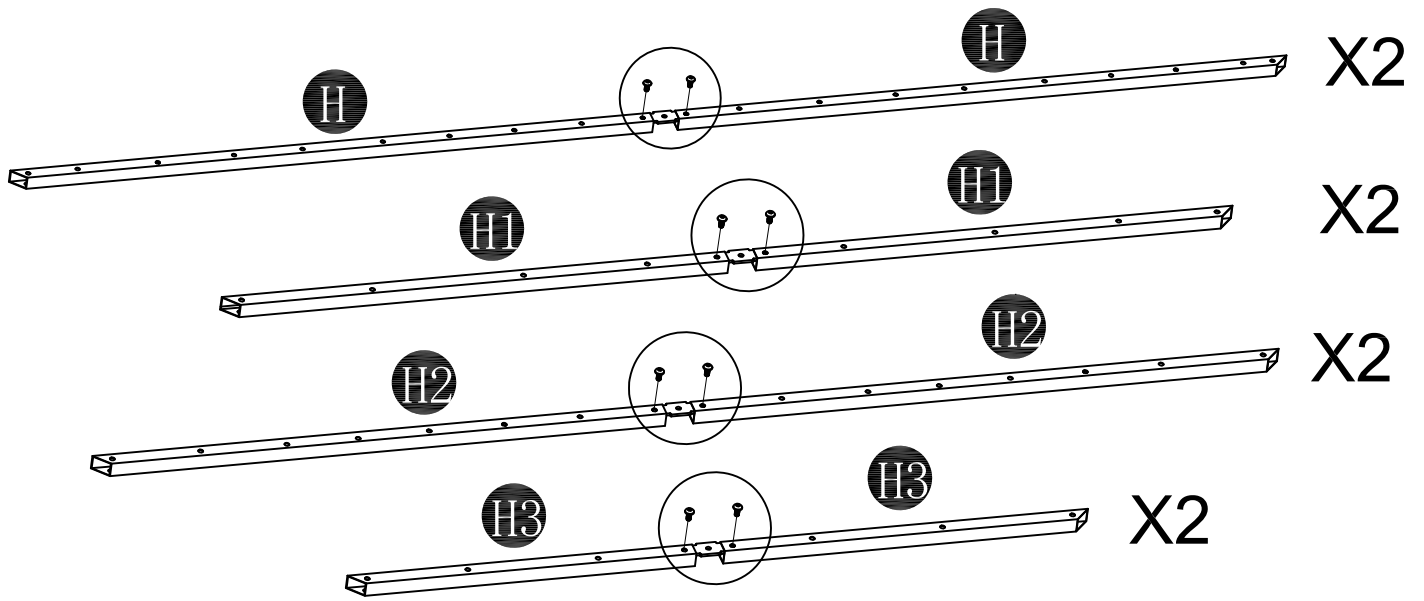
Internal View



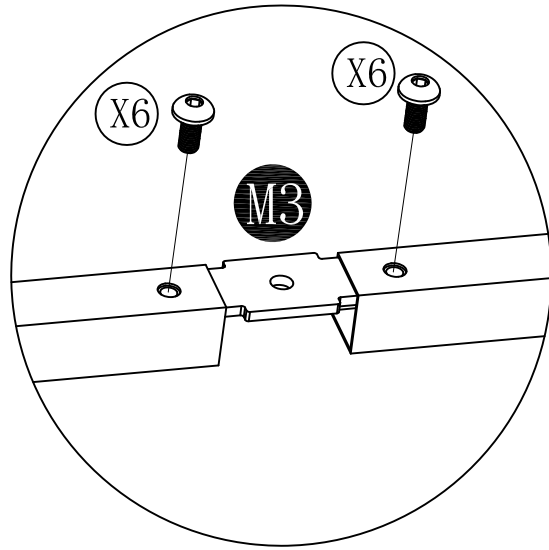
**X4**

E		4
X6	 M6*15	12

step8

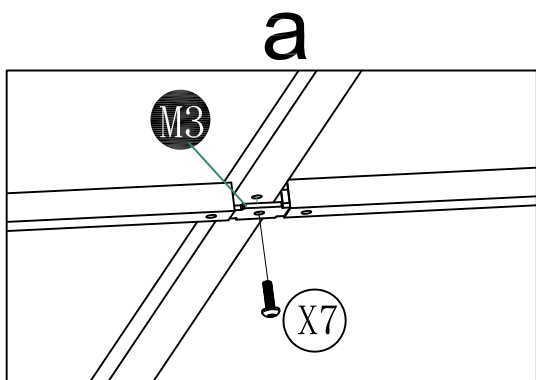
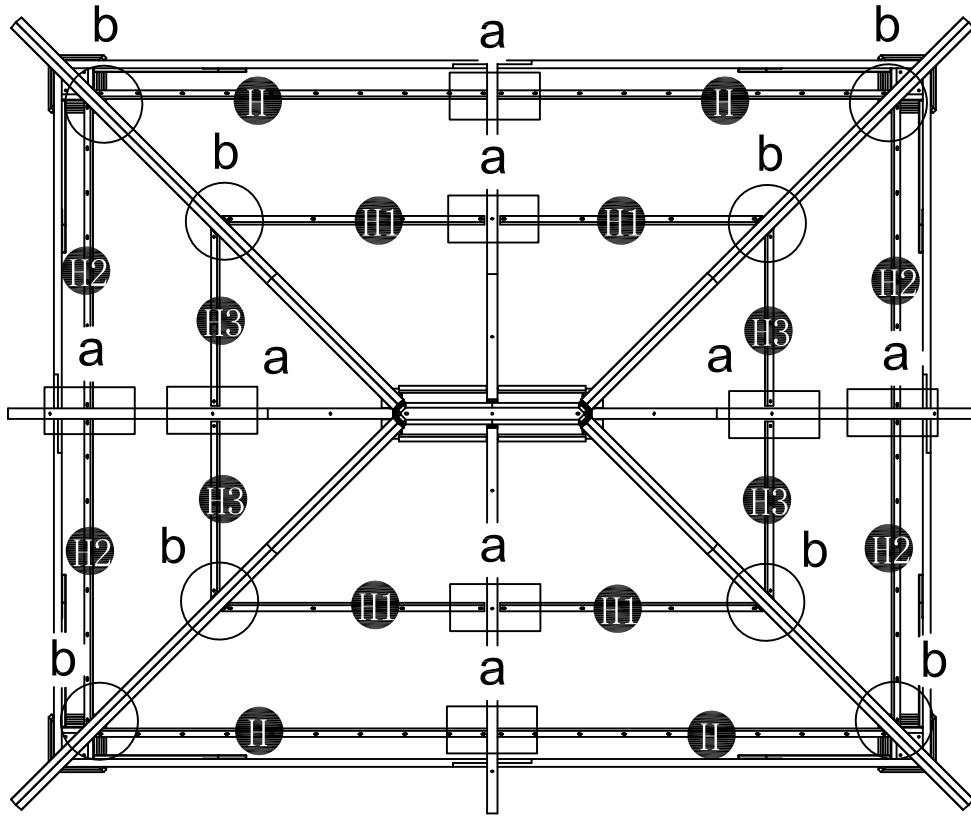


H		4
H1		4
H2		4
H3		4
M3		8
X6		16



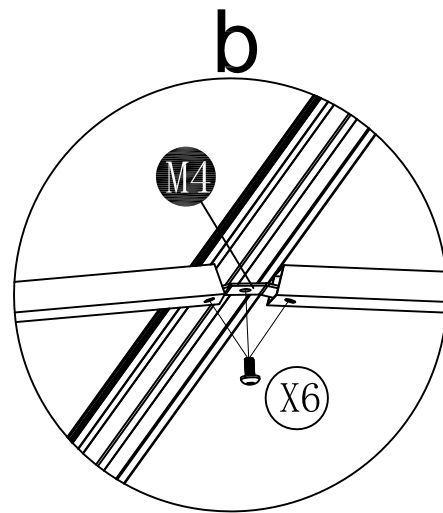
**X8**

step9



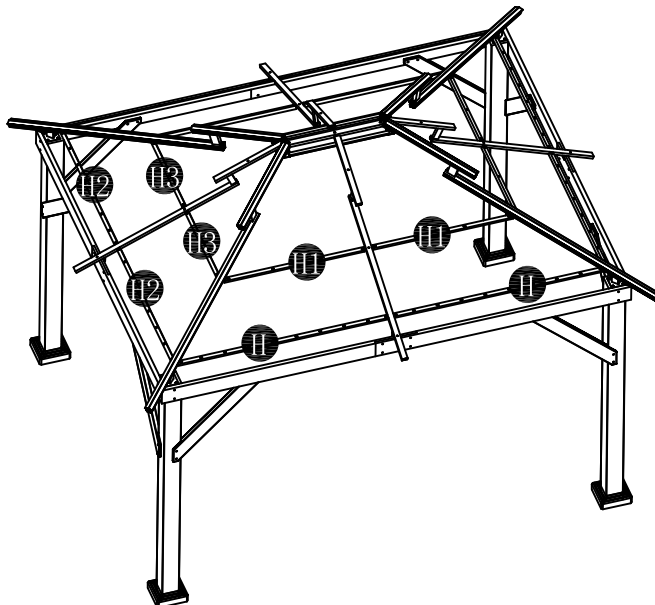
Internal View




X8

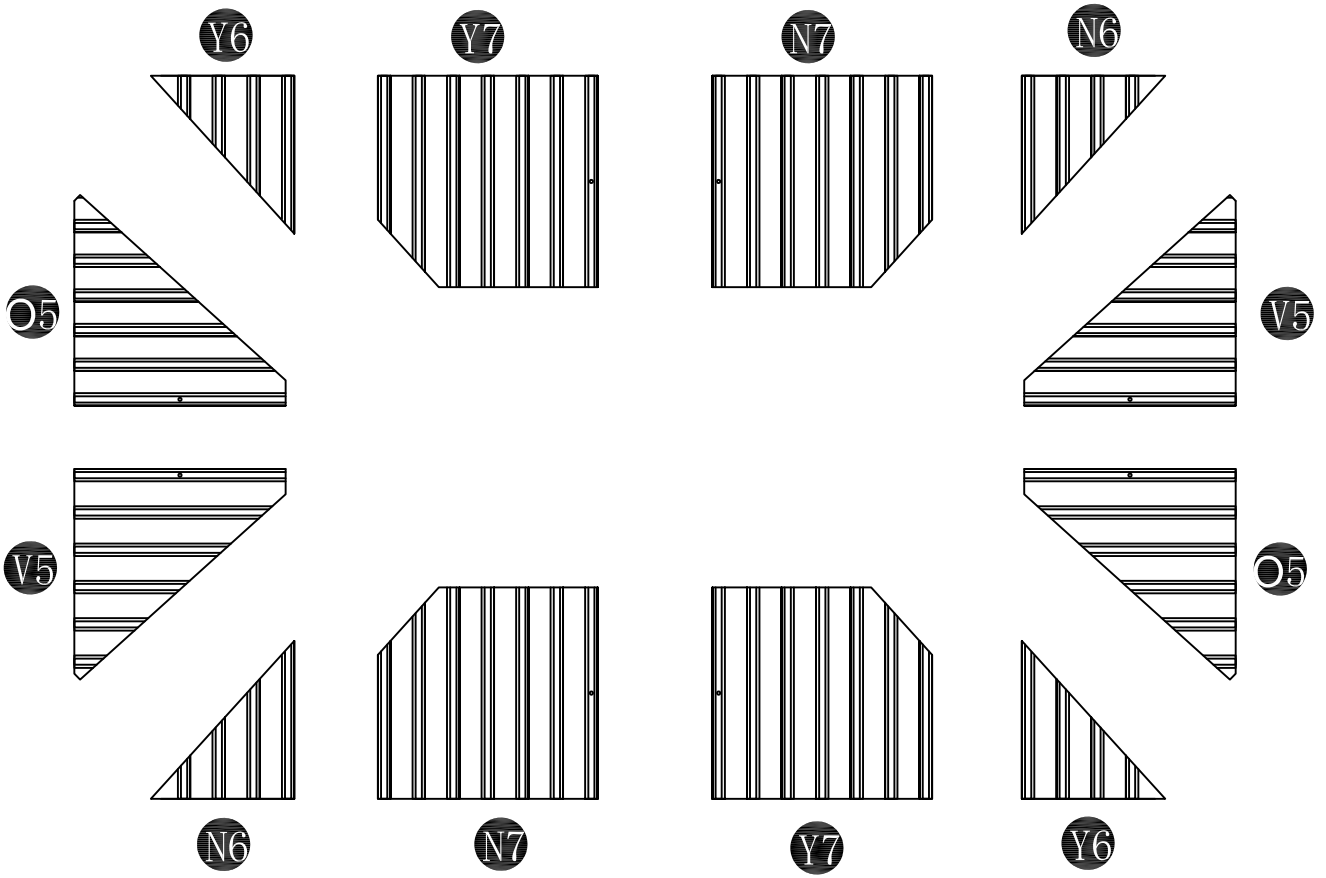


X8

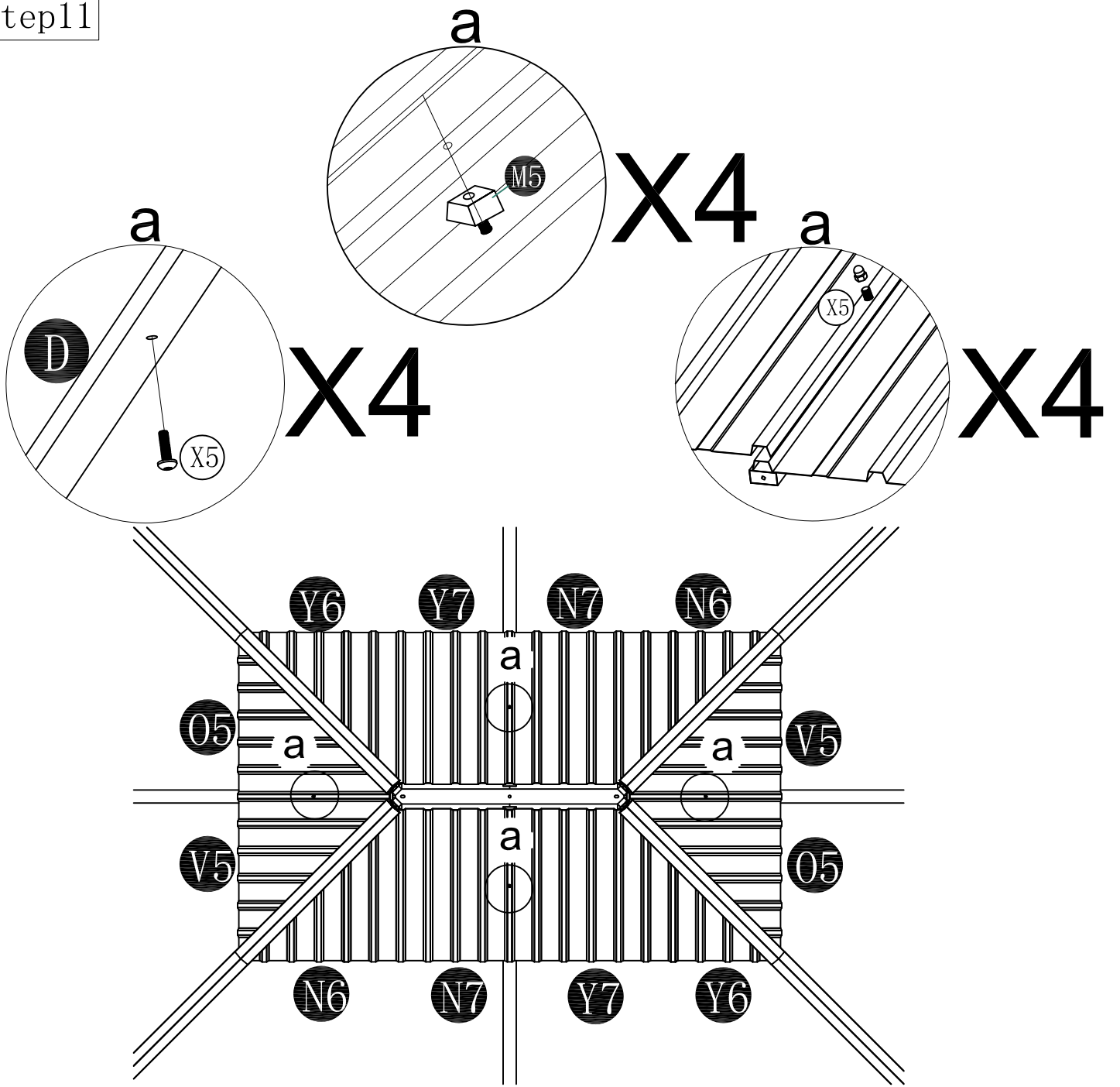
Internal View



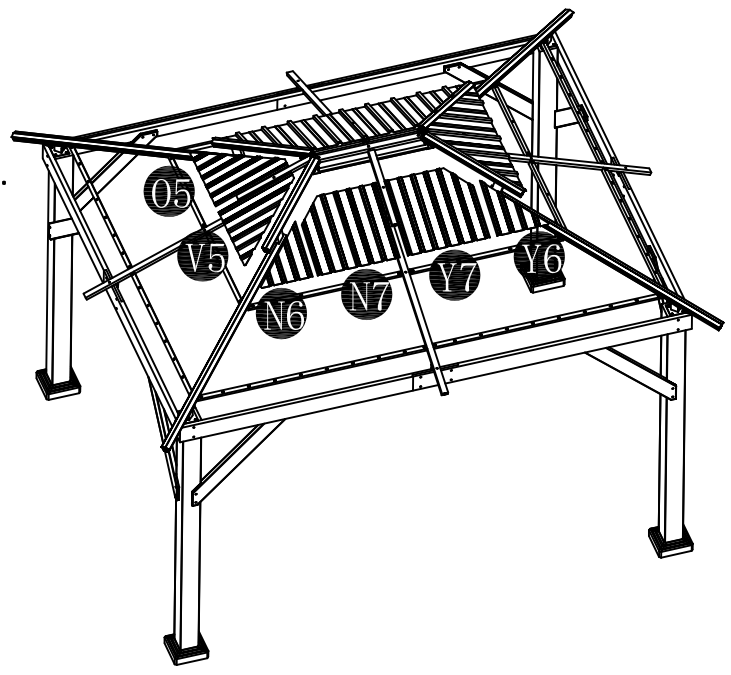
M4		8
X6	 M6*15	24
X7	 M6*42	8

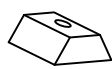
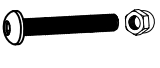


step11

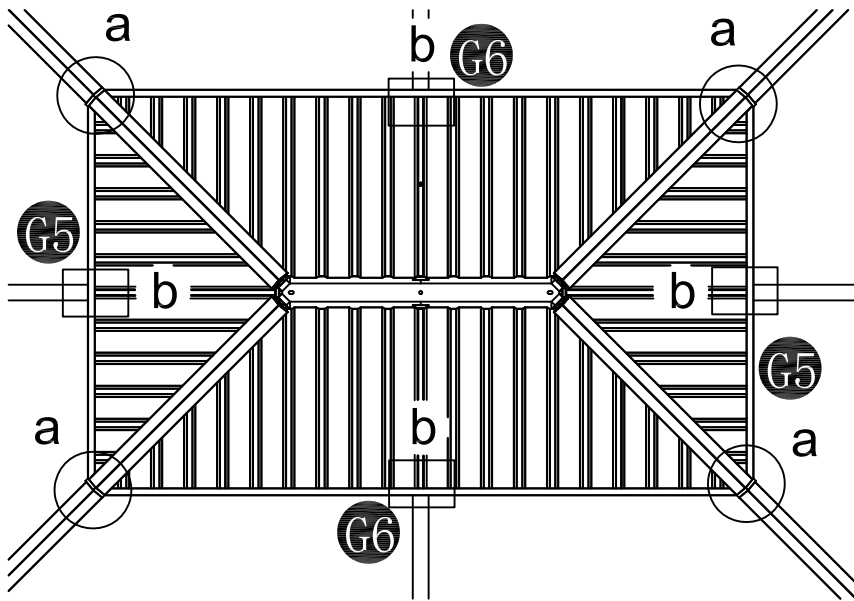


1. Use the screw (X5) to pass through D from below. and secure with M5
2. Place the slot into the iron sheet.
3. middle overlapping sections secured with nuts (X5)

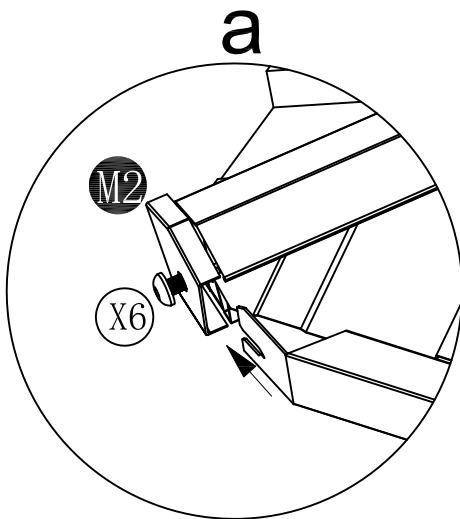


M5		4
X5	 M6*38	4

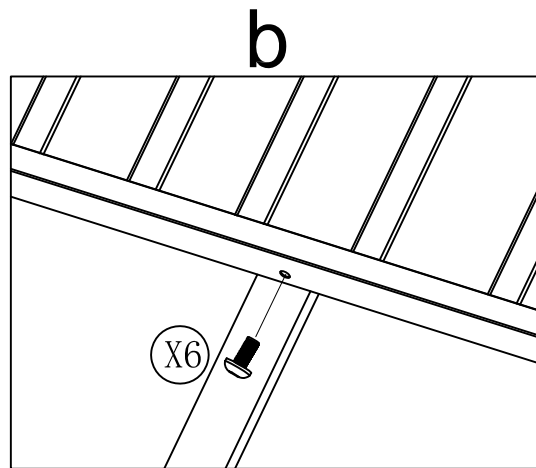
step12




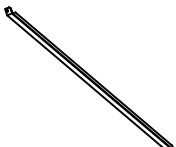

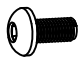
1. Mounting M2, fixing with X6, 50% lock in (No tighten completely)
2. Put the end of (G5,G6) on M2, snap into the iron sheet and middle section fixed with X6
3. Follow the installation images
4. Tighten the X6

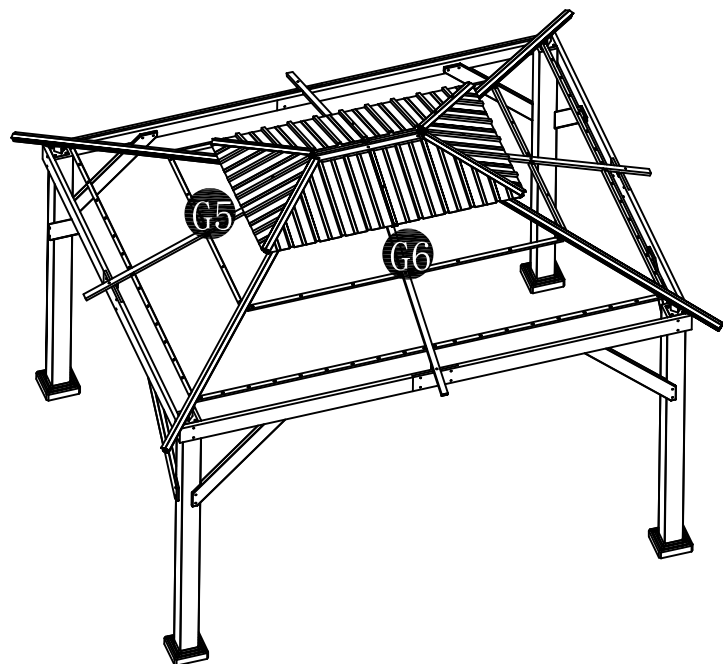


**X4**

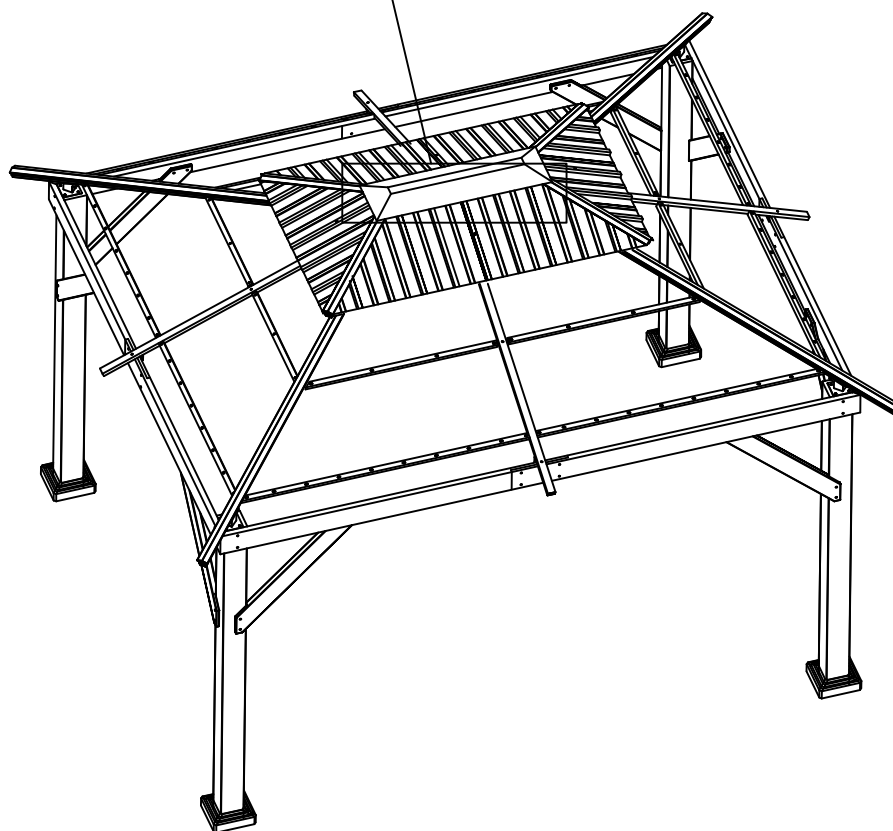
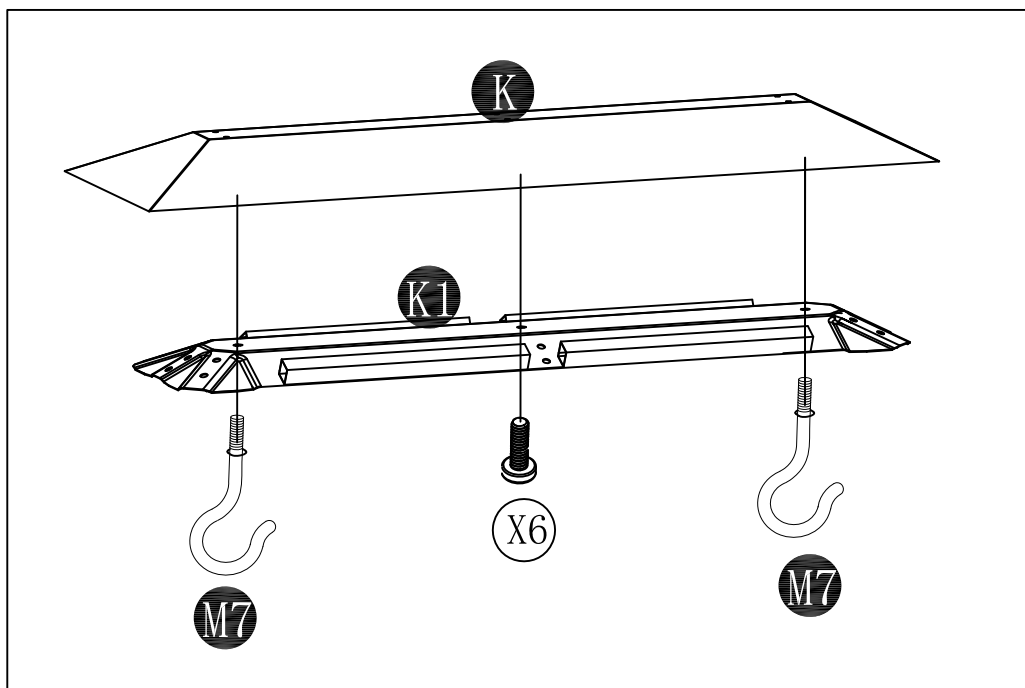


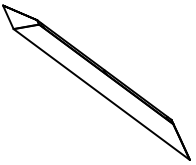
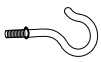
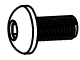
**X4**

G5		2
G6		2
M2		4
X6	 M6*15	8

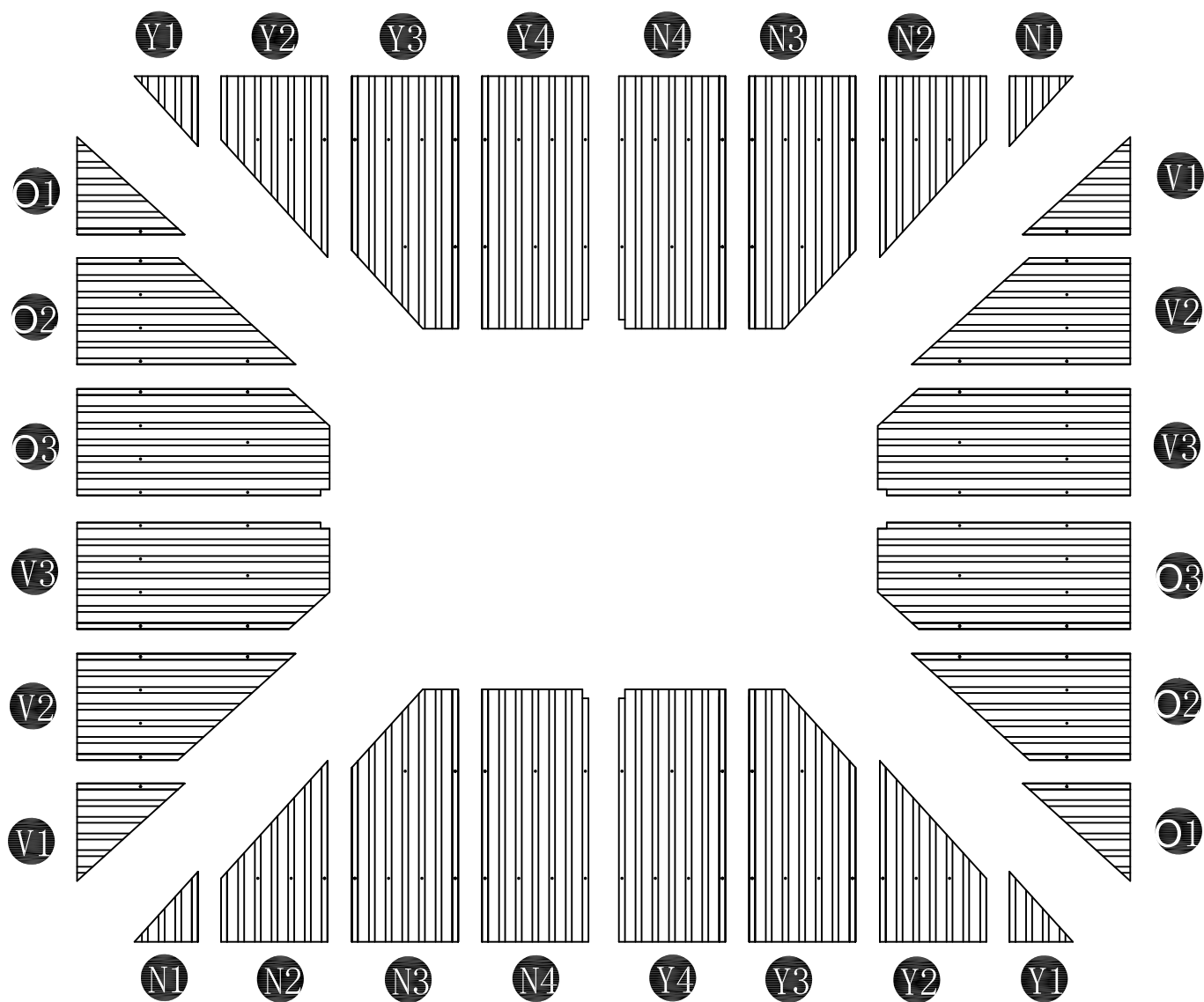


step13



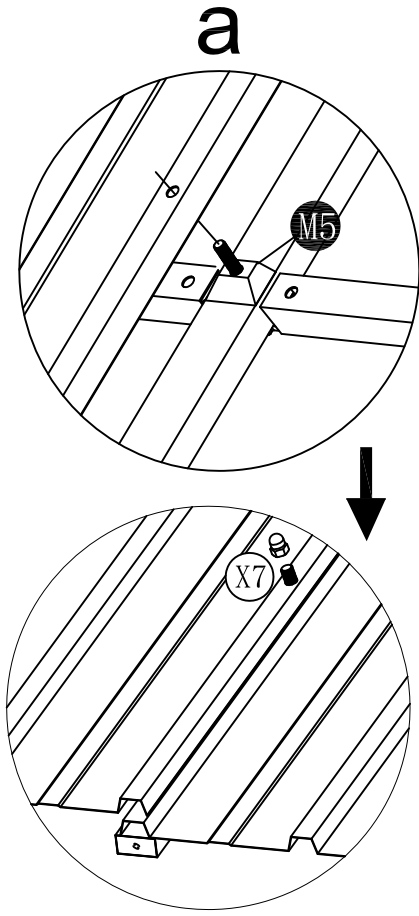
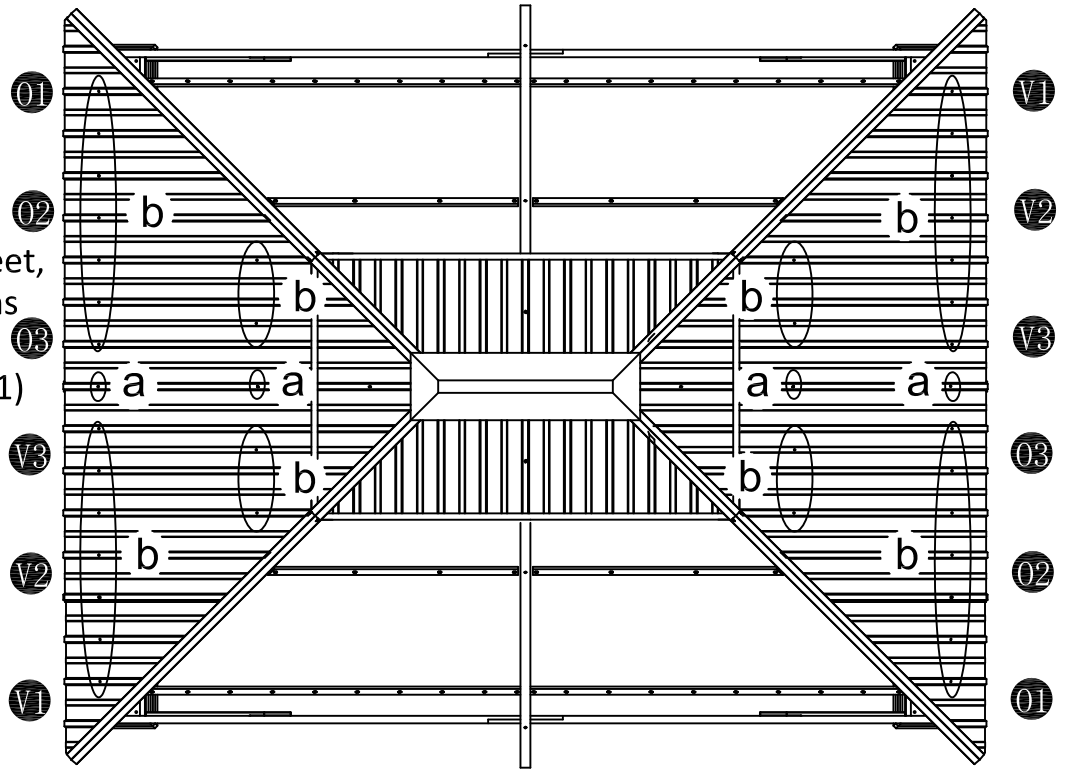
K		1
M7		2
X6	 M6*15	1

step14

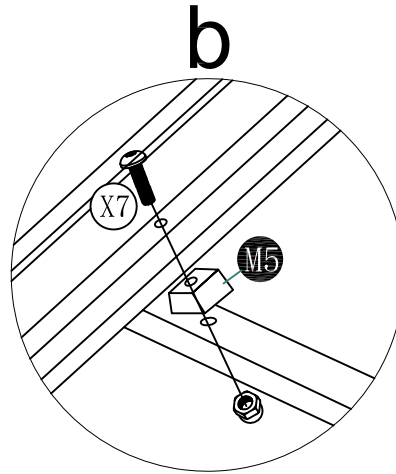


step15

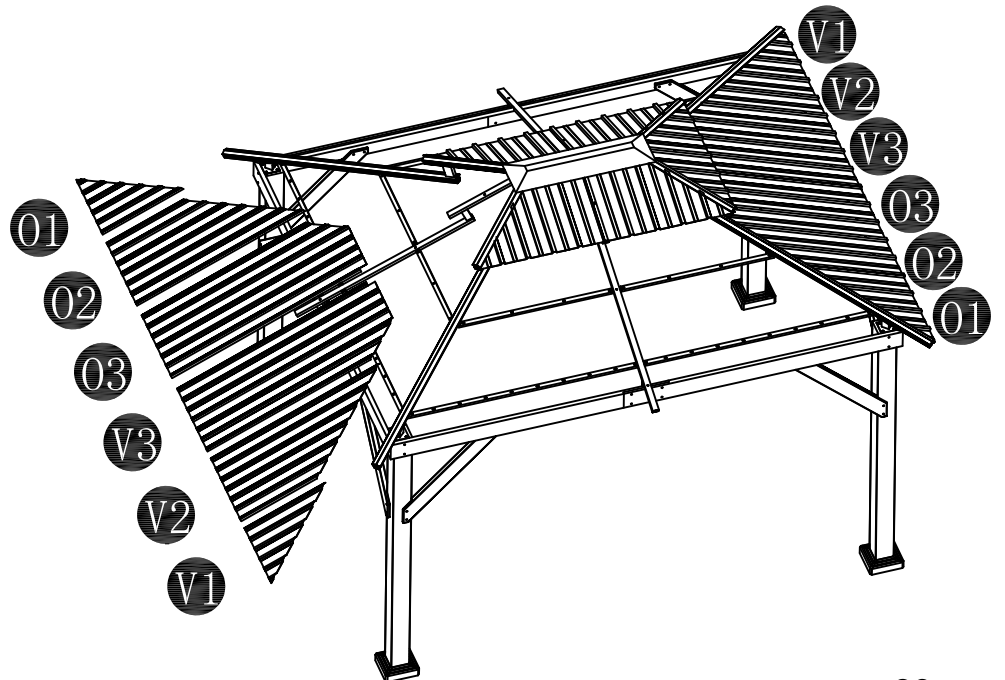
1. (O3, V3) Snap to iron sheet, middle overlapping sections secured with nuts (X7)
2. Installing (O2, O1) (V2, V1) in the same way.

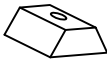




**X4**



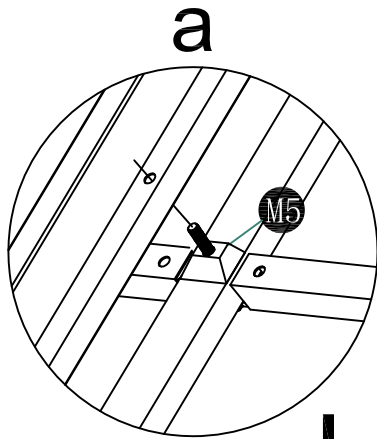
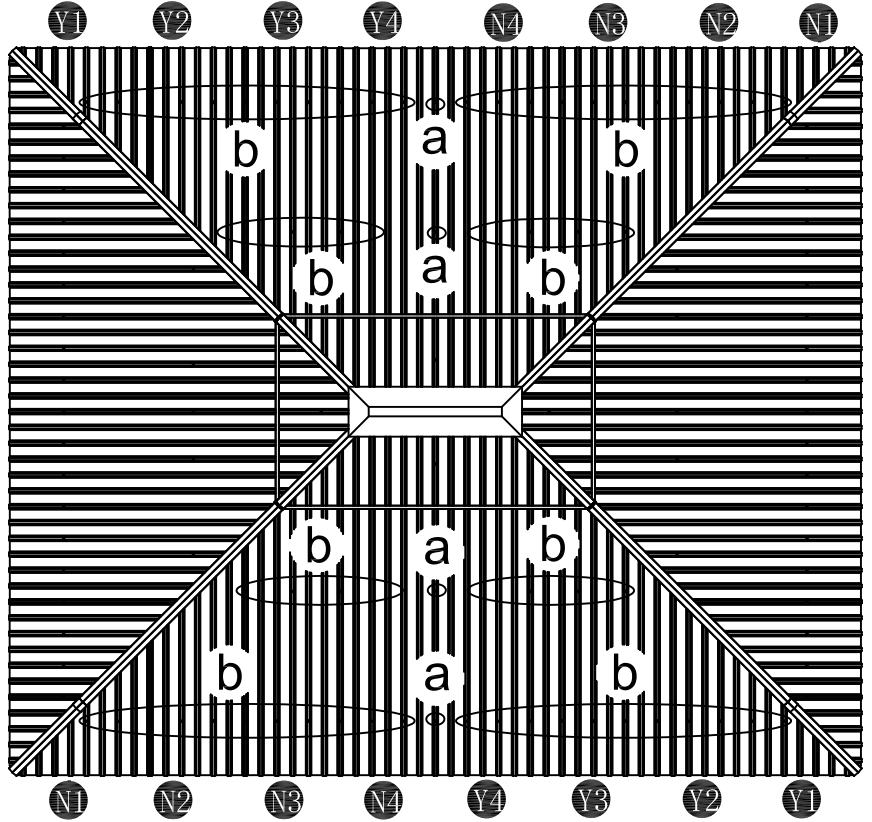
**X32**



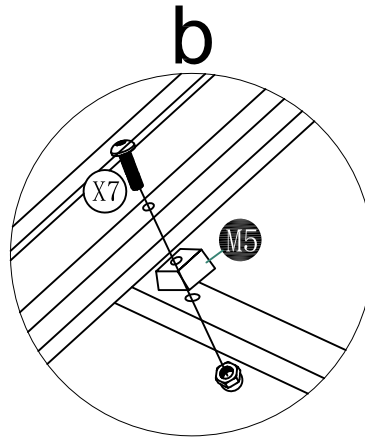
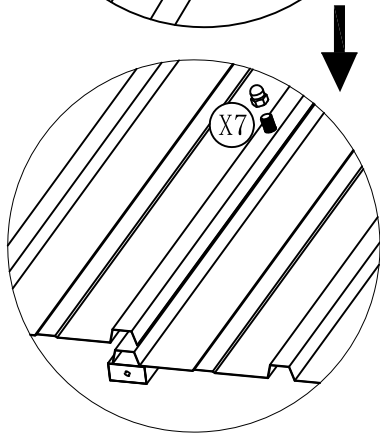
M5		36
X7	 M6*42	4
X7	 M6*42	32

step16

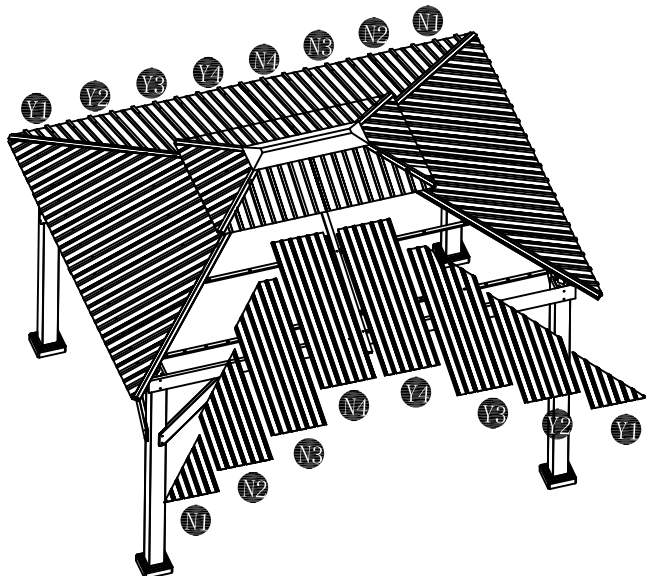
1. (N4, Y4) Snap to iron sheet, middle overlapping sections secured with nuts (X7)
2. Installing (N3, N2, N1) (Y3, Y2, Y1) in the same way

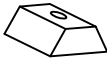




X4

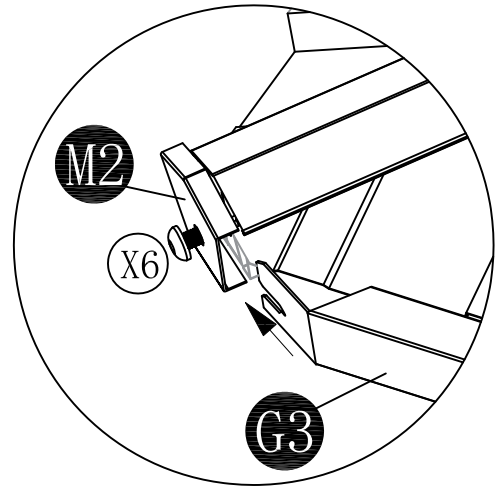
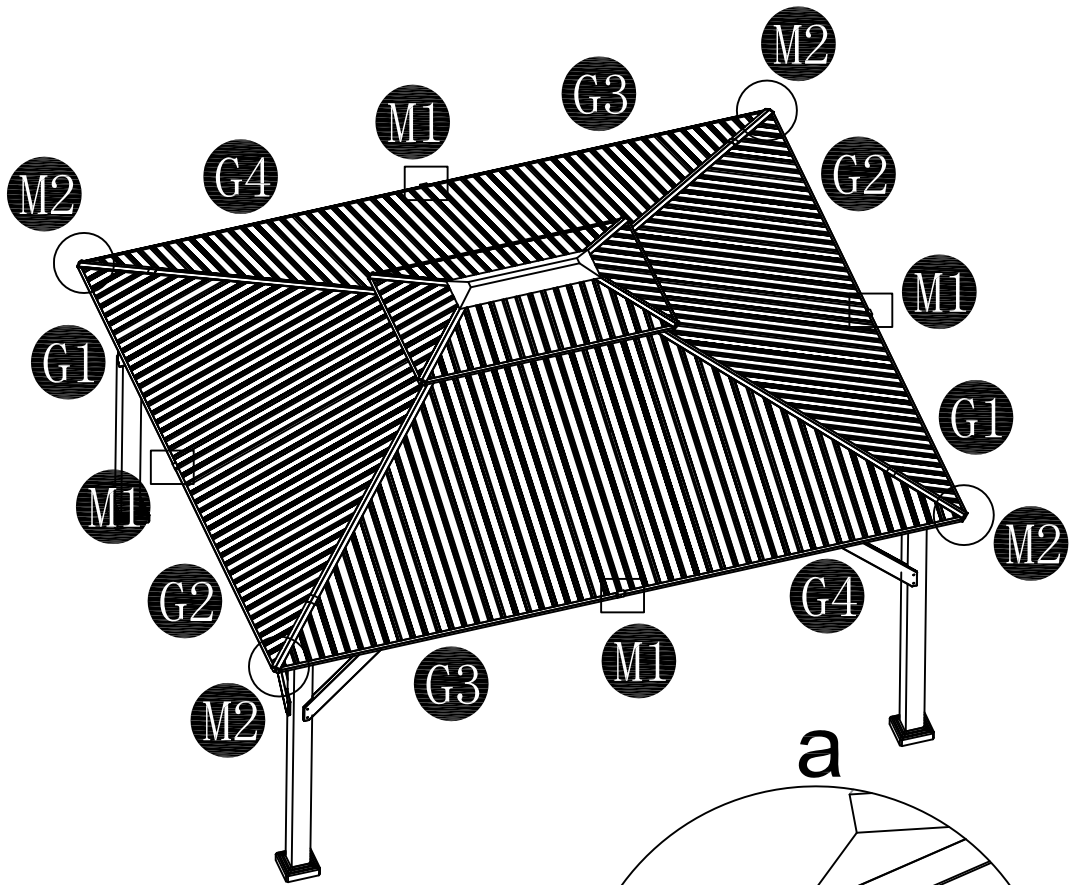


X44



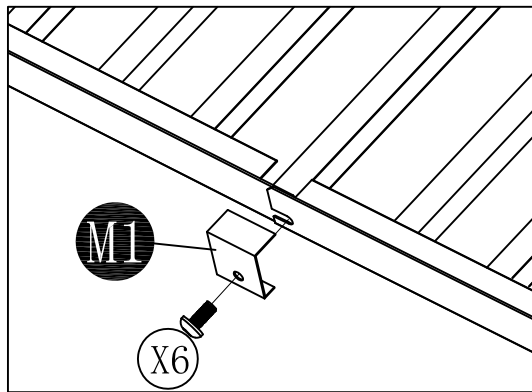
M5		48
X7	 M6*42	4
X7	 M6*42	44

step17



X4

b



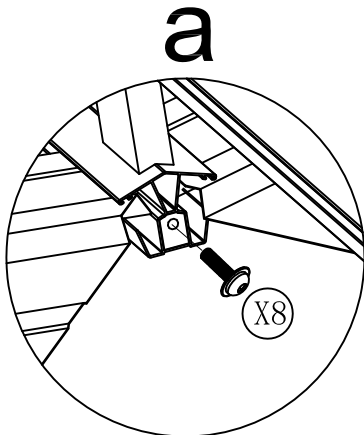
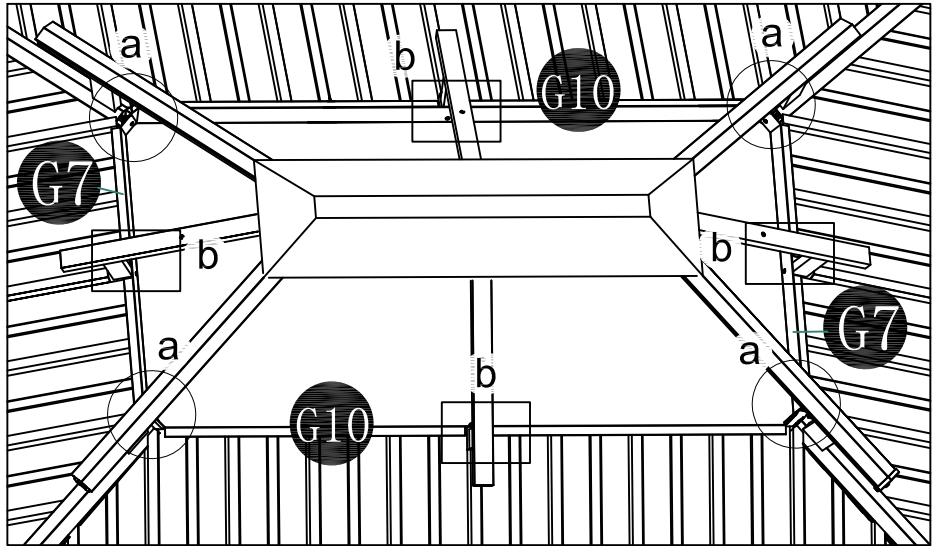
X4

G1		2
G2		2
G3		2
G4		2
M1		4
M2		4
X6		8

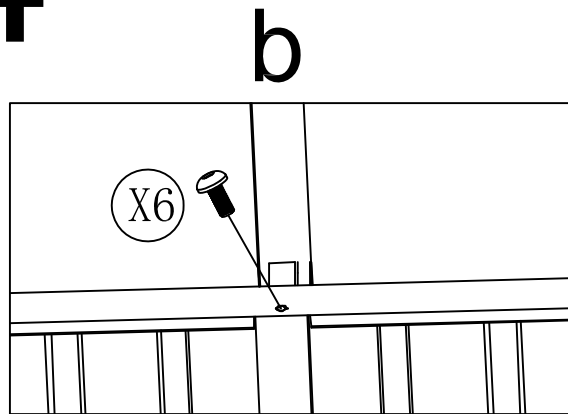
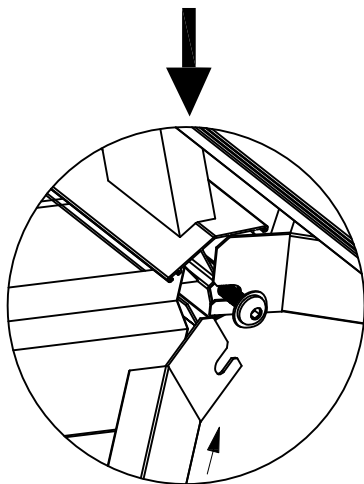
1. Installing M2 at the four corners of the roof, fixing with X6, 50% lock in (No tighten completely)
2. Put the end of (G1, G2, G3, G4) on M2, snap into the iron sheet
3. Middle section connected by M1, fixing with X6

step18

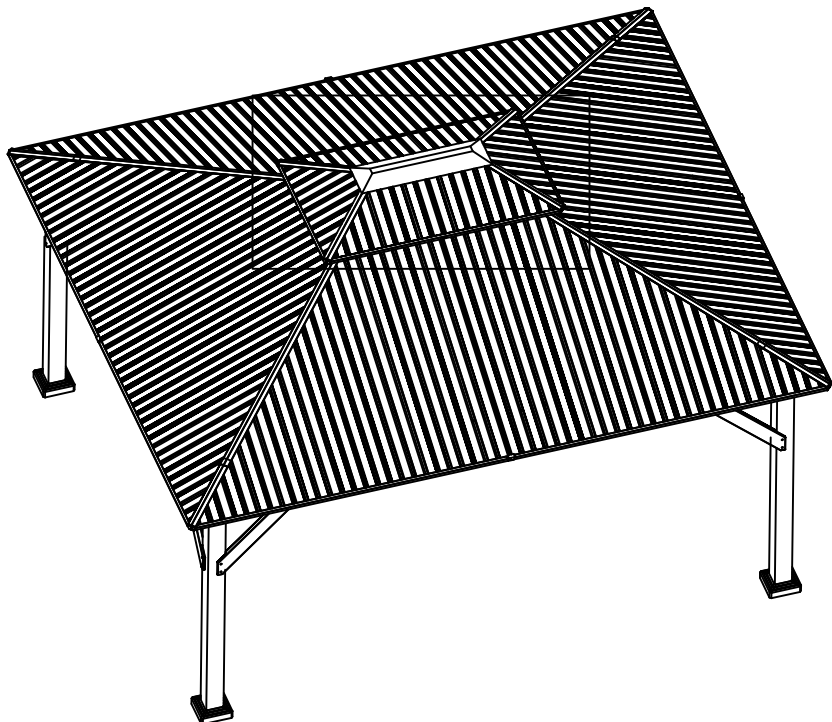
1. Installing X8 at the four corners of the roof, 50% lock in (No tighten completely)
2. Put the end of (G7,G10) on X8, snap into the iron sheet
3. Middle section fixing with X6



X4

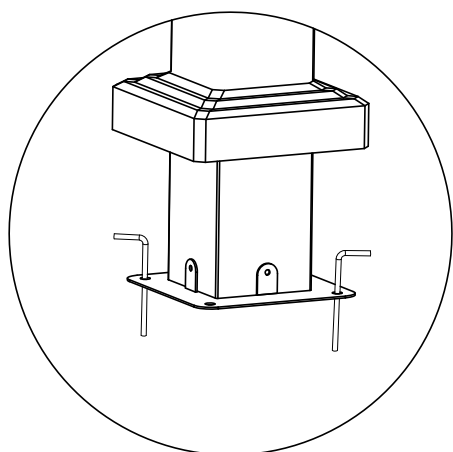
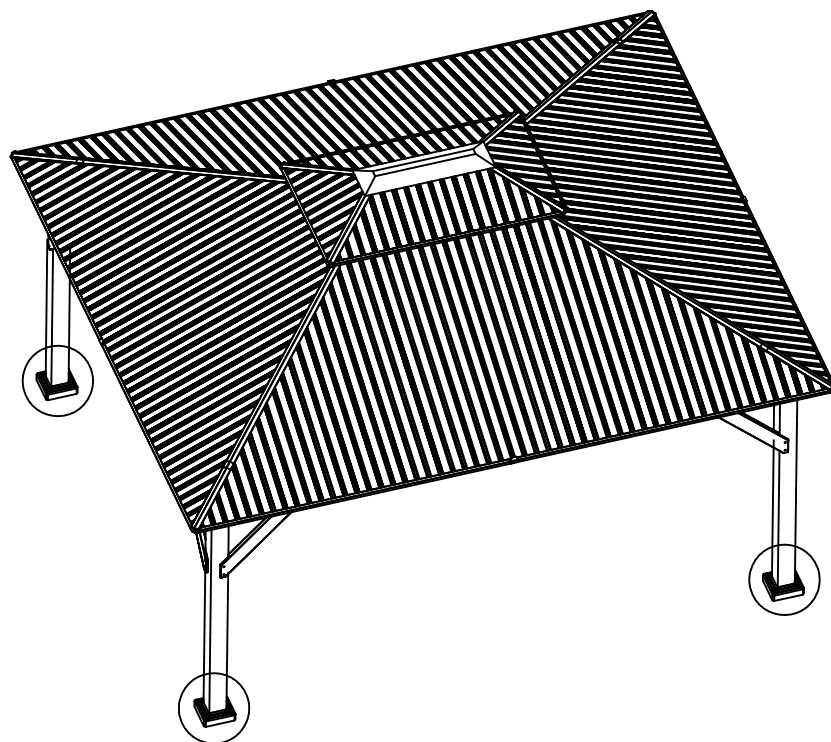


X4

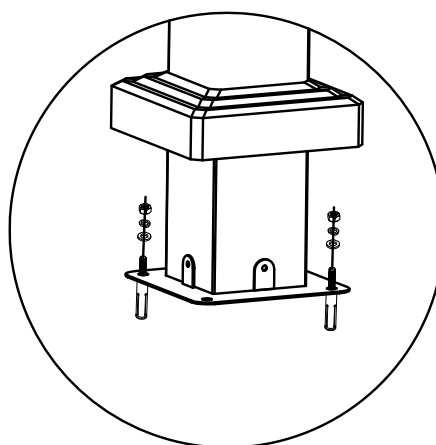


G7		2
G10		2
X6	 M6*15	4
X8	 M6*30	4

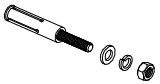
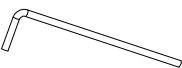
step19



**X4**



**X4**

	8
	8