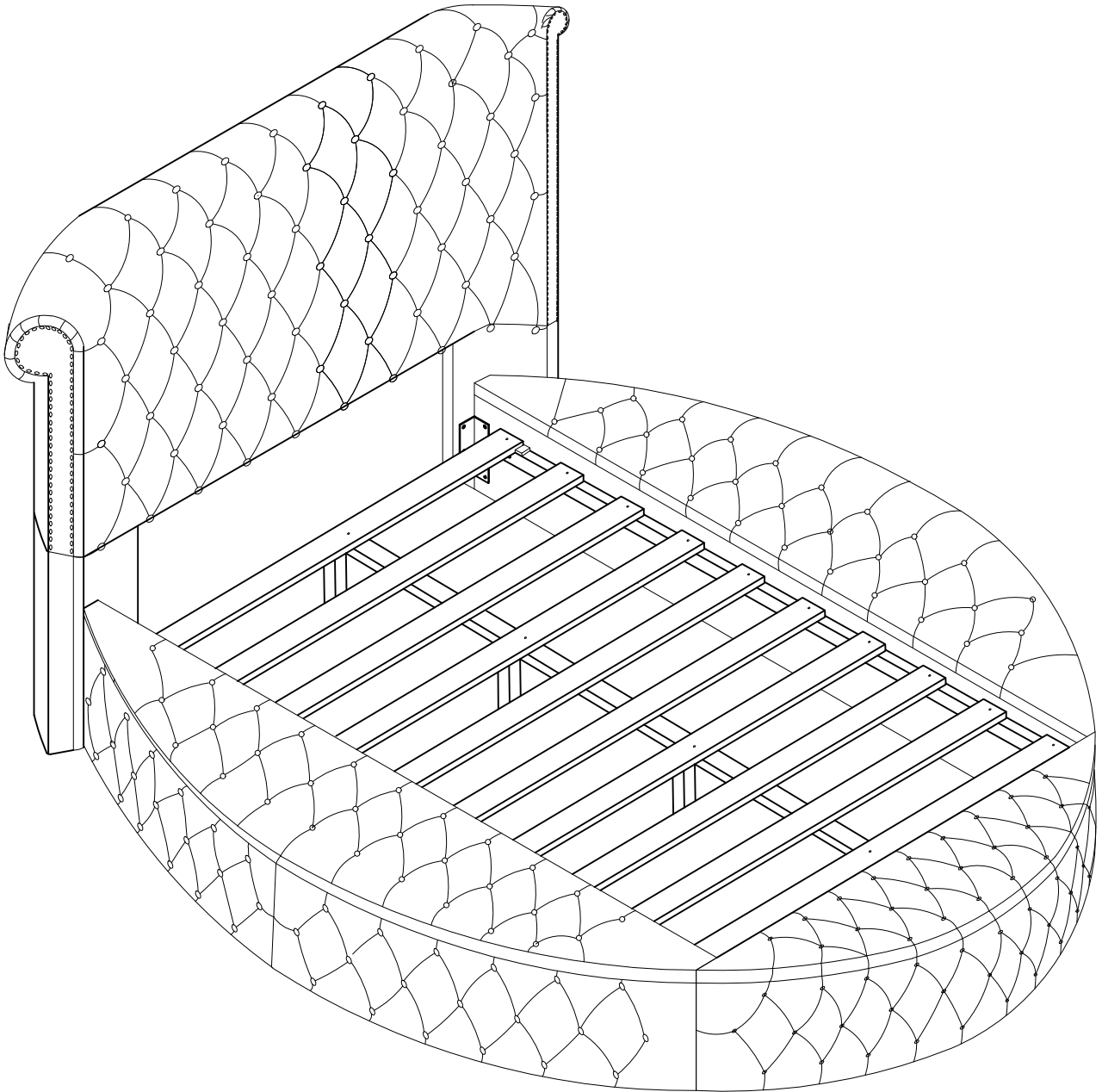
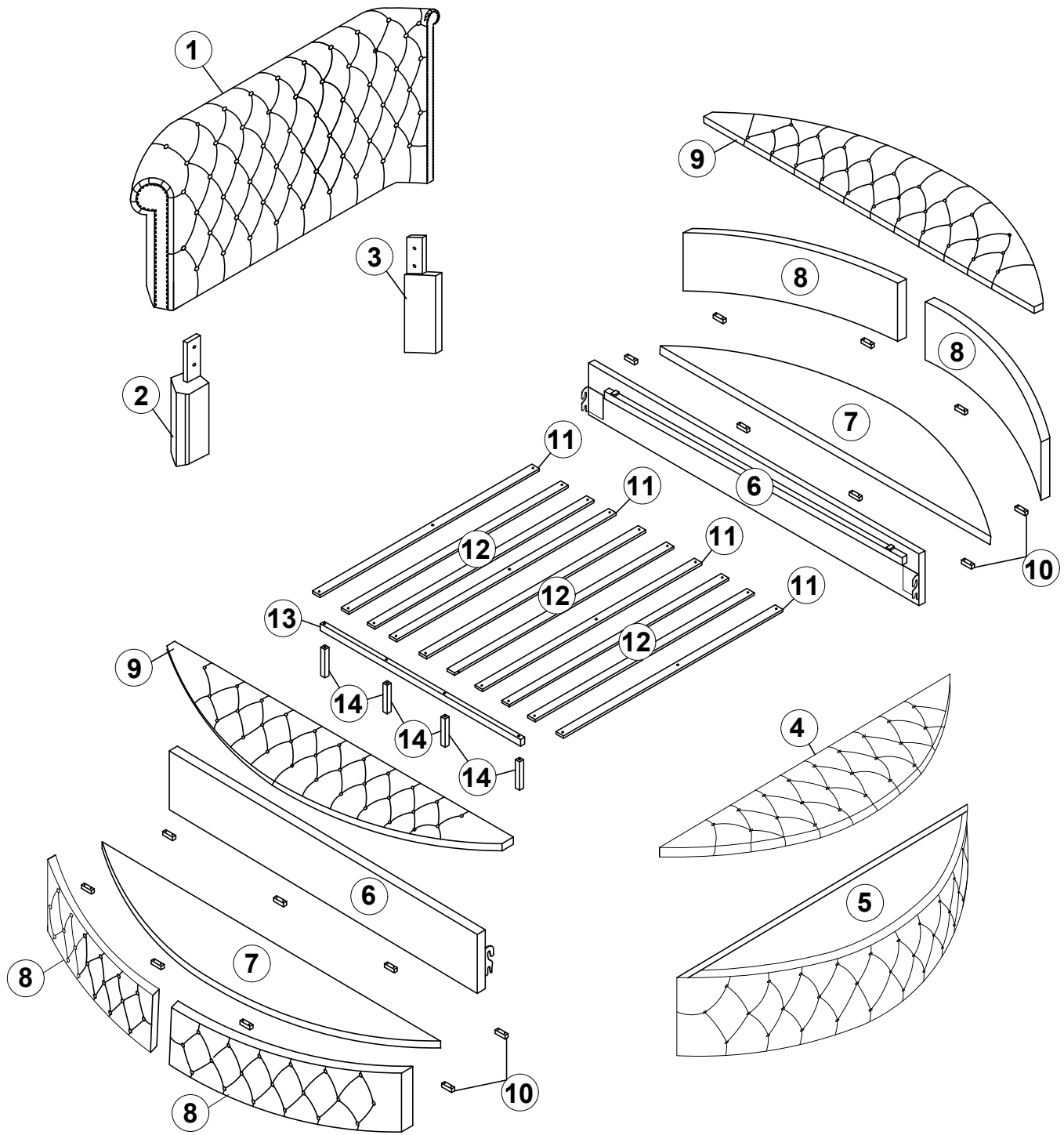


# ASSEMBLY INSTRUCTIONS

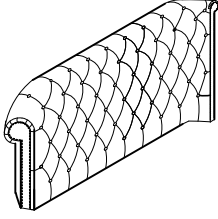


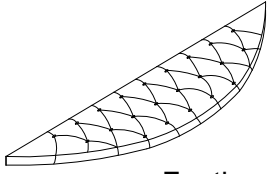
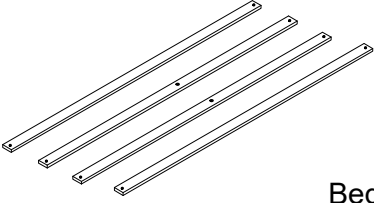
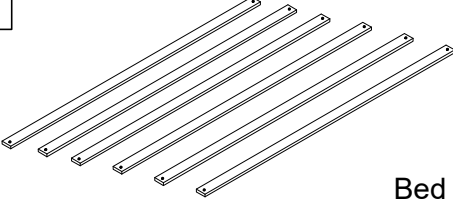
## UPHOLSTERY FULL BED



# DETAIL VIEW FULL BED

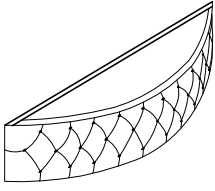


# PART LISTS:

<p><b>1</b></p>  <p>Upper headboard-1pc</p>	<p><b>2</b></p>  <p>Headboard Left Leg-1pc</p>
<p><b>3</b></p>  <p>Headboard Right Leg-1pc</p>	<p><b>4</b></p>  <p>Footboard leaf panel -1pc</p>
<p><b>11</b></p>  <p>Bed slat (1)-4pcs</p>	<p><b>12</b></p>  <p>Bed slat (2)-6pcs</p>

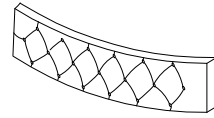
# PART LISTS:

5



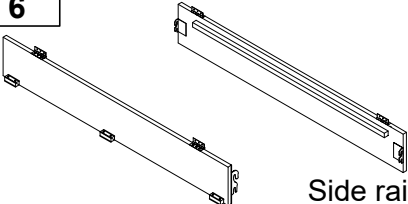

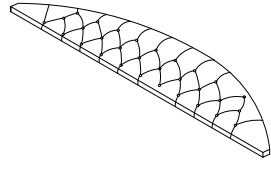
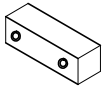

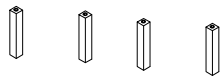
Footboard -1pc

8


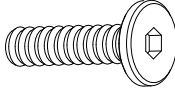
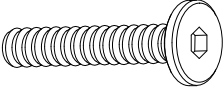
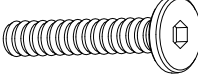


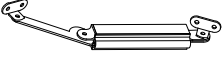
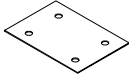




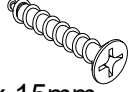
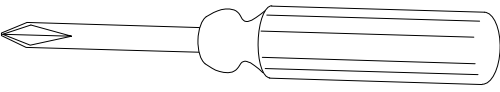


Side rail outside panel-4pcs

# PART LISTS:

<p><b>6</b></p>  <p>Side rail inside panel-2pcs</p>	<p><b>7</b></p>  <p>Side rail bottom panel-2pcs</p>
<p><b>9</b></p>  <p>Side rail leaf panel-2pcs</p>	<p><b>10</b></p>  <p>Cleat -14pcs</p>
<p><b>13</b></p>  <p>Center support bar -1pc</p>	<p><b>10</b></p>  <p>Center leg -4pcs</p>

## HARDWARE LISTS:

<p><b>A</b></p>  <p>4mm Allen key (1pc)</p>	<p><b>B</b></p>  <p>Ø5/16" x 20mm Hex-head bolt (8pcs)</p>
<p><b>C</b></p>  <p>Ø5/16" x 70mm Hex-head bolt (4pcs)</p>	<p><b>D</b></p>  <p>Ø1/4" x 50mm Hex-head bolt (4pcs)</p>
<p><b>E</b></p>  <p>Ø4 x 30mm Wood screw (82pcs)</p>	<p><b>F</b></p>  <p>Ø4 x 20mm Wood screw (16pcs)</p>
<p><b>G</b></p>  <p>Safety hinges (6pcs)</p>	<p><b>H</b></p>  <p>Metal bracket (4pcs)</p>
<p><b>I</b></p>  <p>Ø5/16" Spring washer (12pcs)</p>	<p><b>J</b></p>  <p>Ø5/16" Flat washer(12pcs)</p>
<p><b>K</b></p>  <p>Ø1/4" Spring washer (4pcs)</p>	<p><b>L</b></p>  <p>Ø1/4" Flat washer(4pcs)</p>
<p><b>M</b></p>  <p>Ø4 x 15mm Wood screw (24pcs)</p>	 <p>Assembly required (not included)</p>



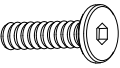
Read this instruction carefully. See hardware and furniture part list for guidance. Be sure all parts are complete, before you assemble. Place all wooden furniture parts on a clean and flat soft surface to prevent from being scratched. Follow the figure to start assembling.

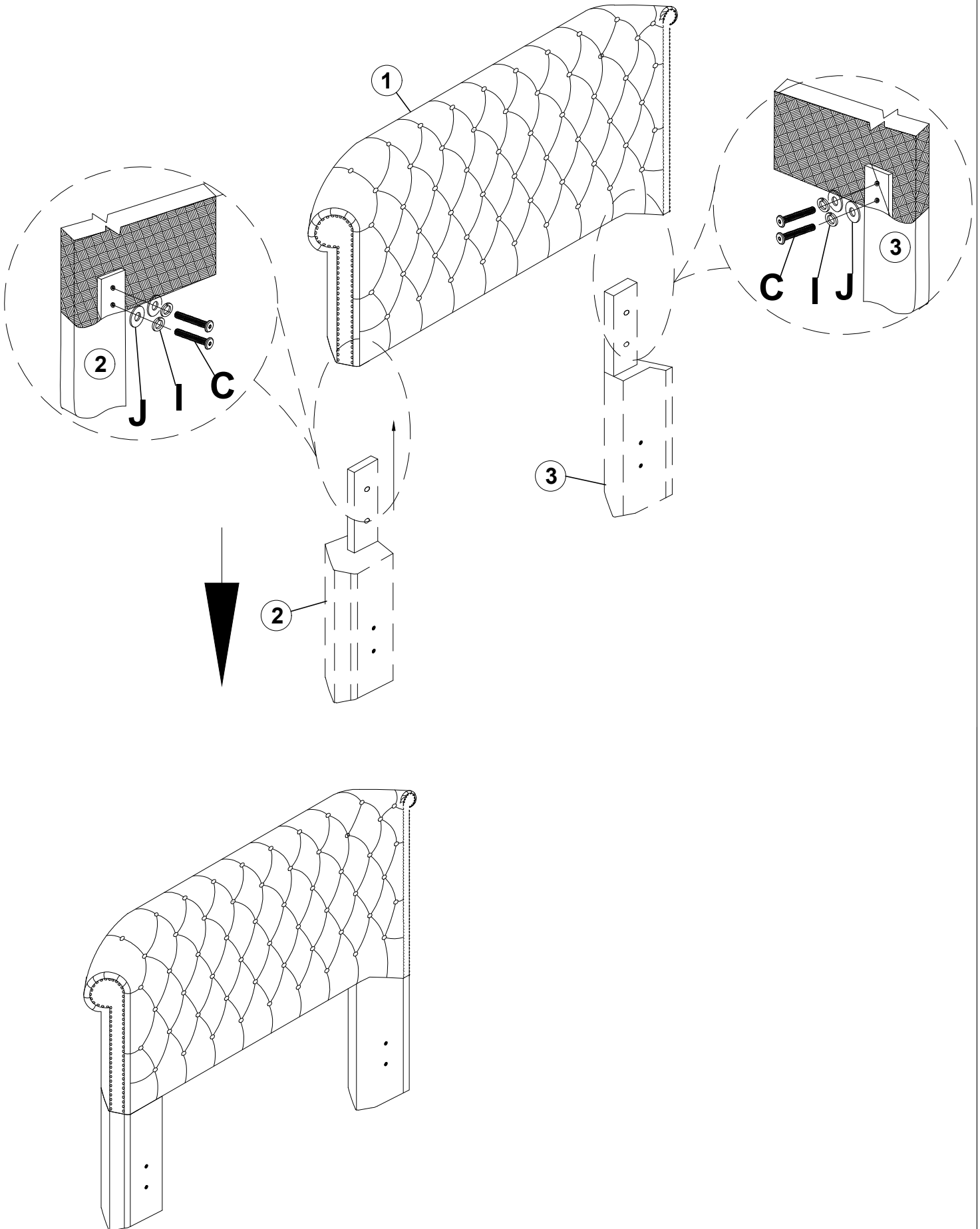
### CAUTIONS :

1. Do not FULLY - TIGHTEN the nut or nut bolt until all nut or bolt is ready assembled.
2. Do not OVER - TIGHTEN the nut or bolt to avoid causing damages to the thread.
3. Keep all hardware parts out of reach of children.


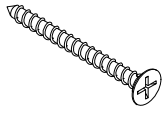
NOTE : THE LIST AND QUANTITY SHOWN ARE FOR 1 UNIT ASSEMBLY.

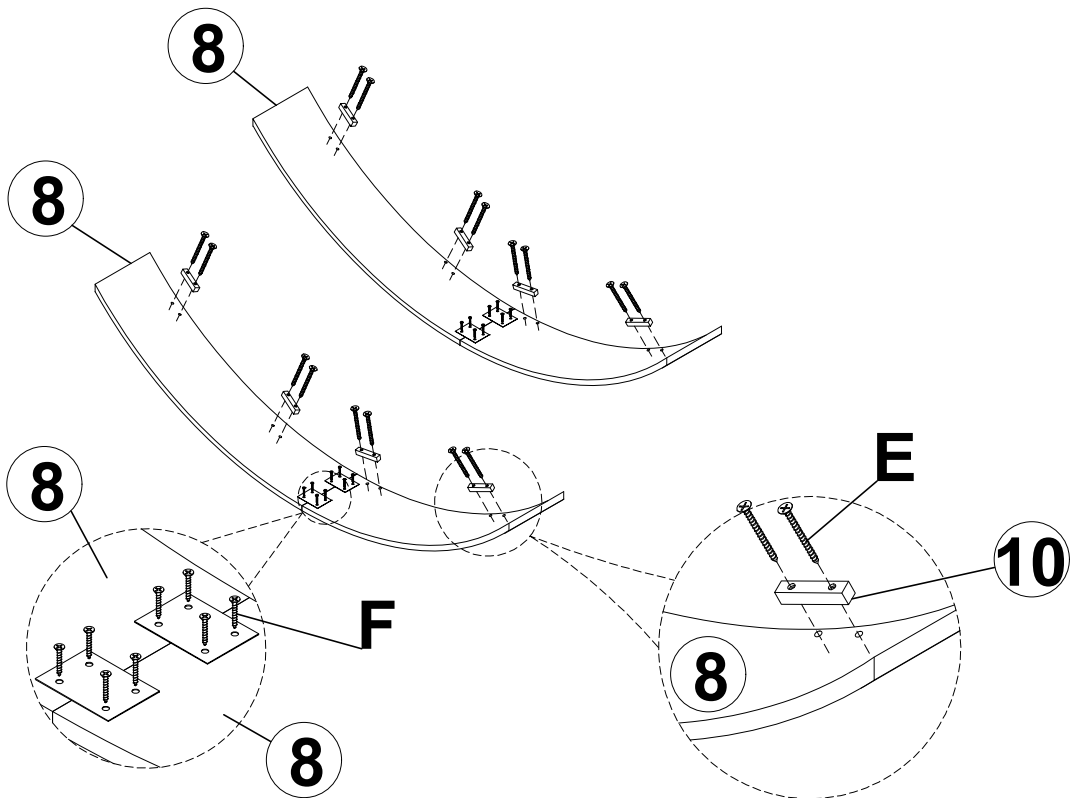
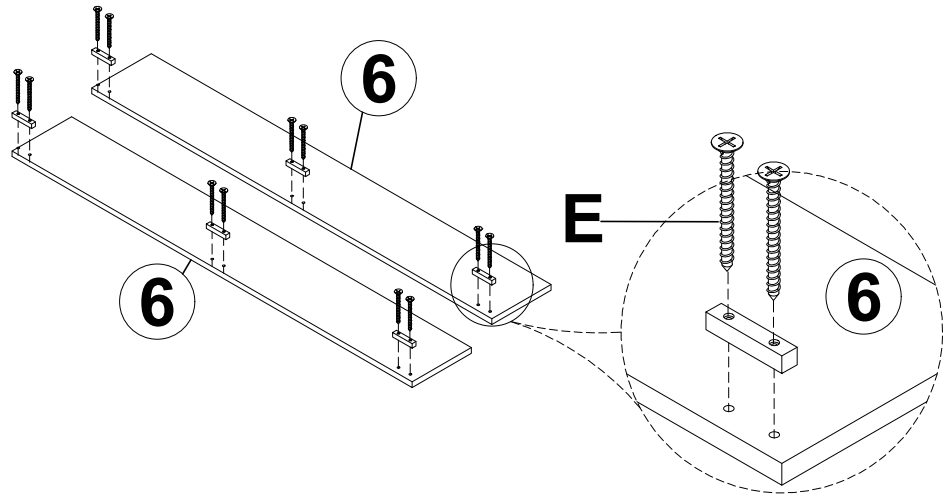
# STEP 1

<b>I</b>		<b>J</b>		<b>C</b>	
<b>4PCS</b>		<b>4PCS</b>		<b>4PCS</b>	



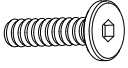


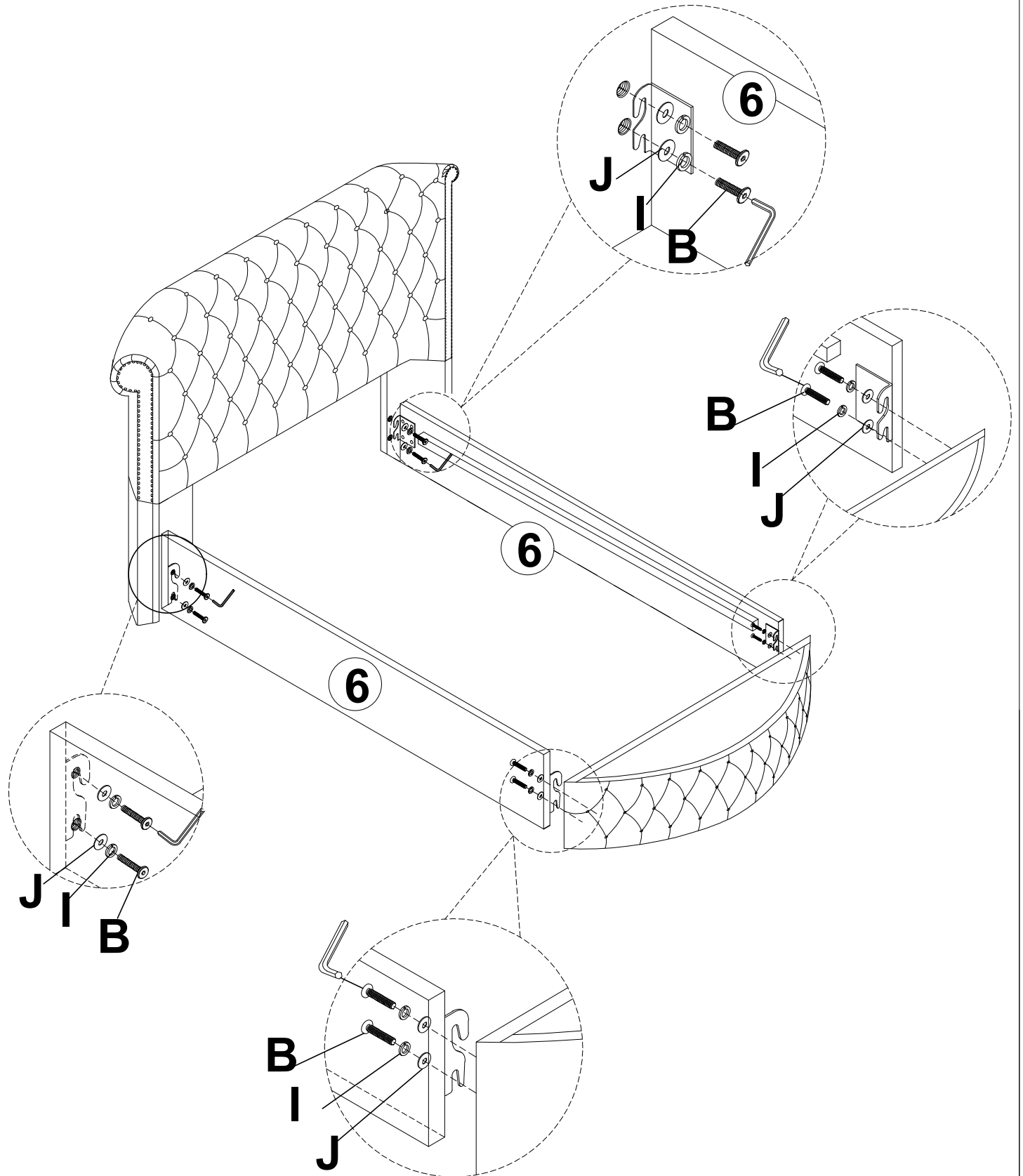
# STEP 2

<b>F</b>		<b>E</b>	
<b>16PCS</b>		<b>28PCS</b>	

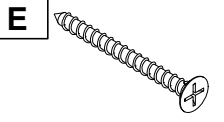


# STEP 3

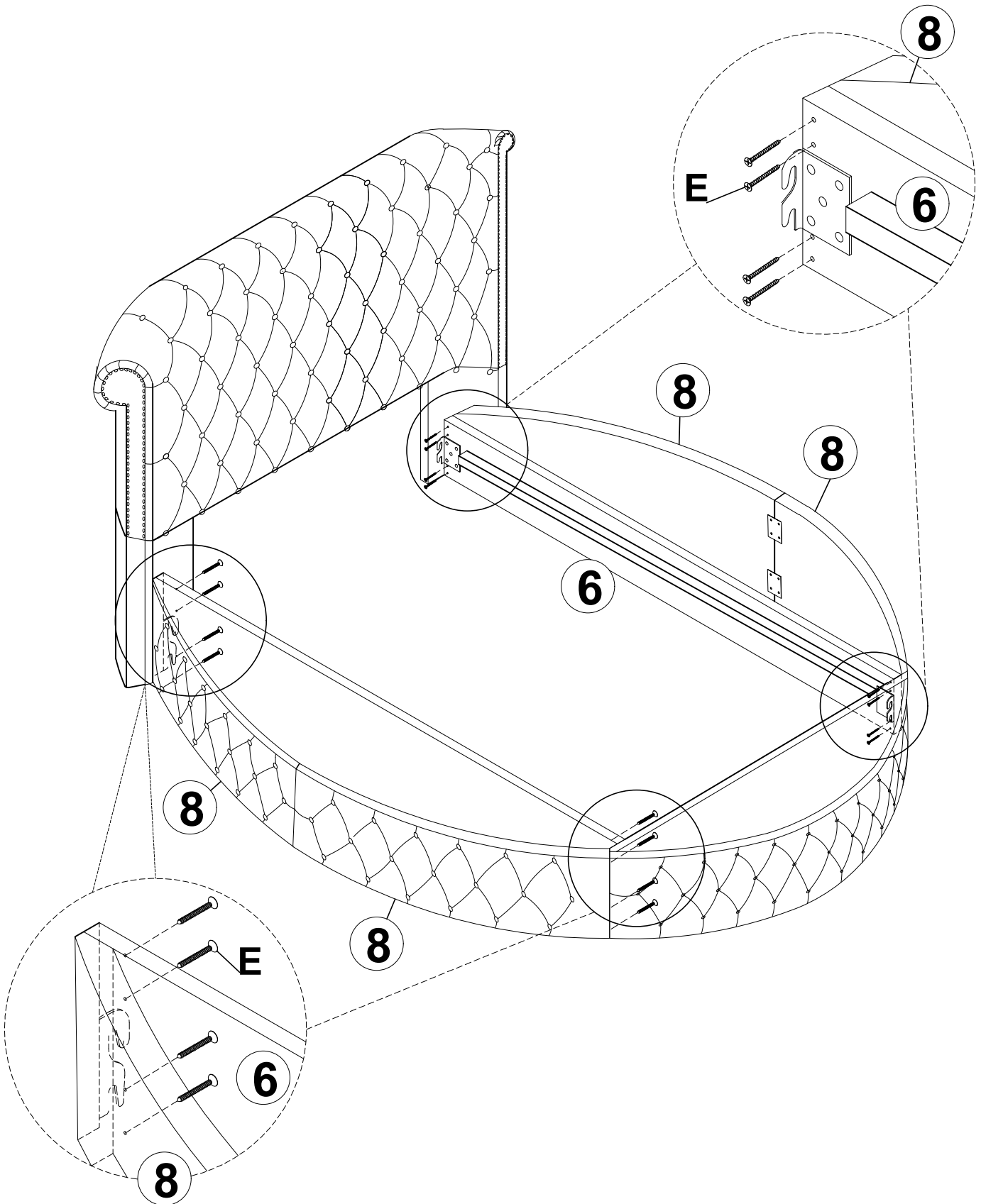
<b>I</b>		<b>J</b>		<b>B</b>	
<b>8PCS</b>		<b>8PCS</b>		<b>8PCS</b>	



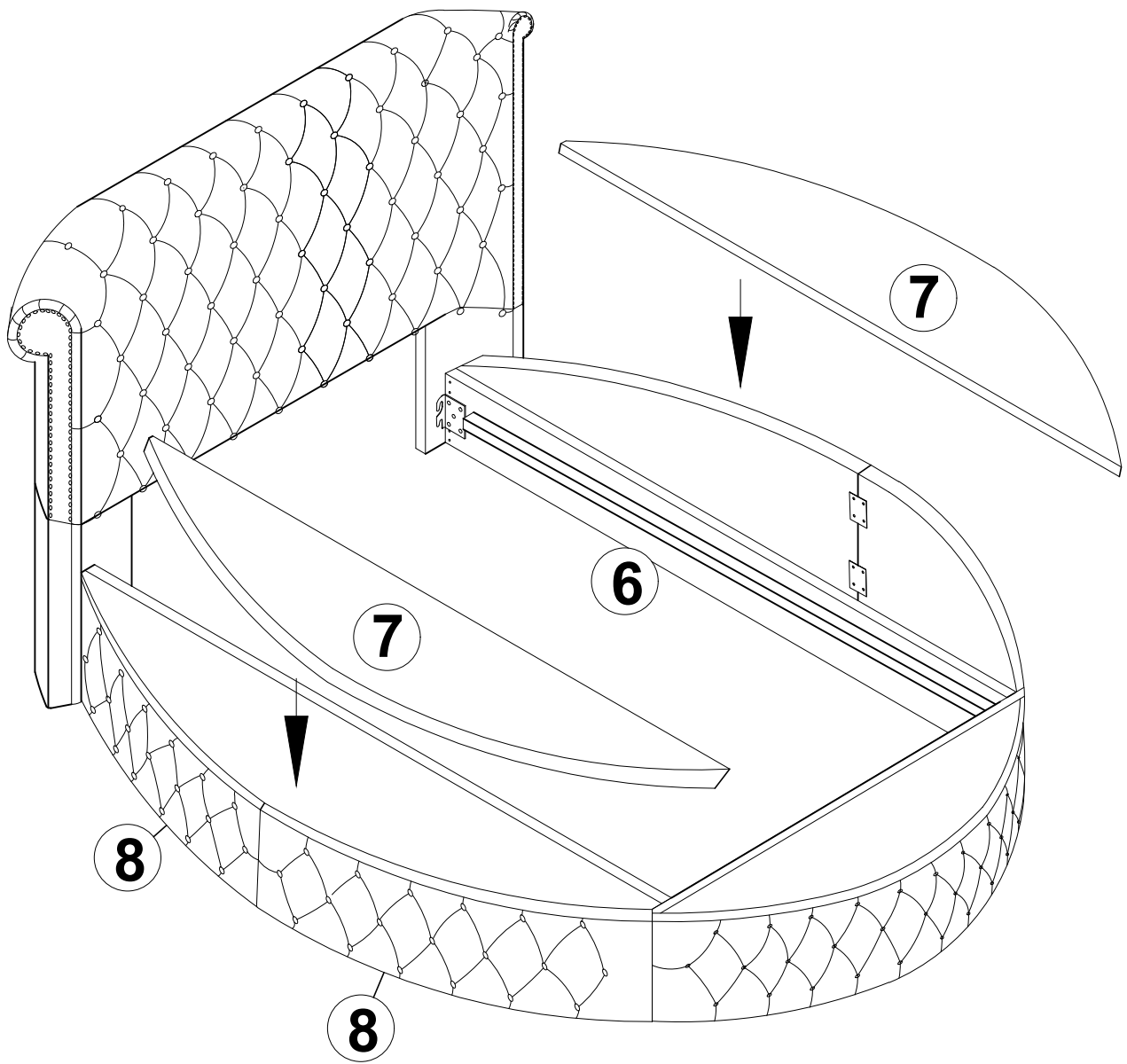
**STEP 4**




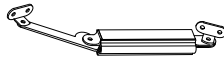

**16PCS**

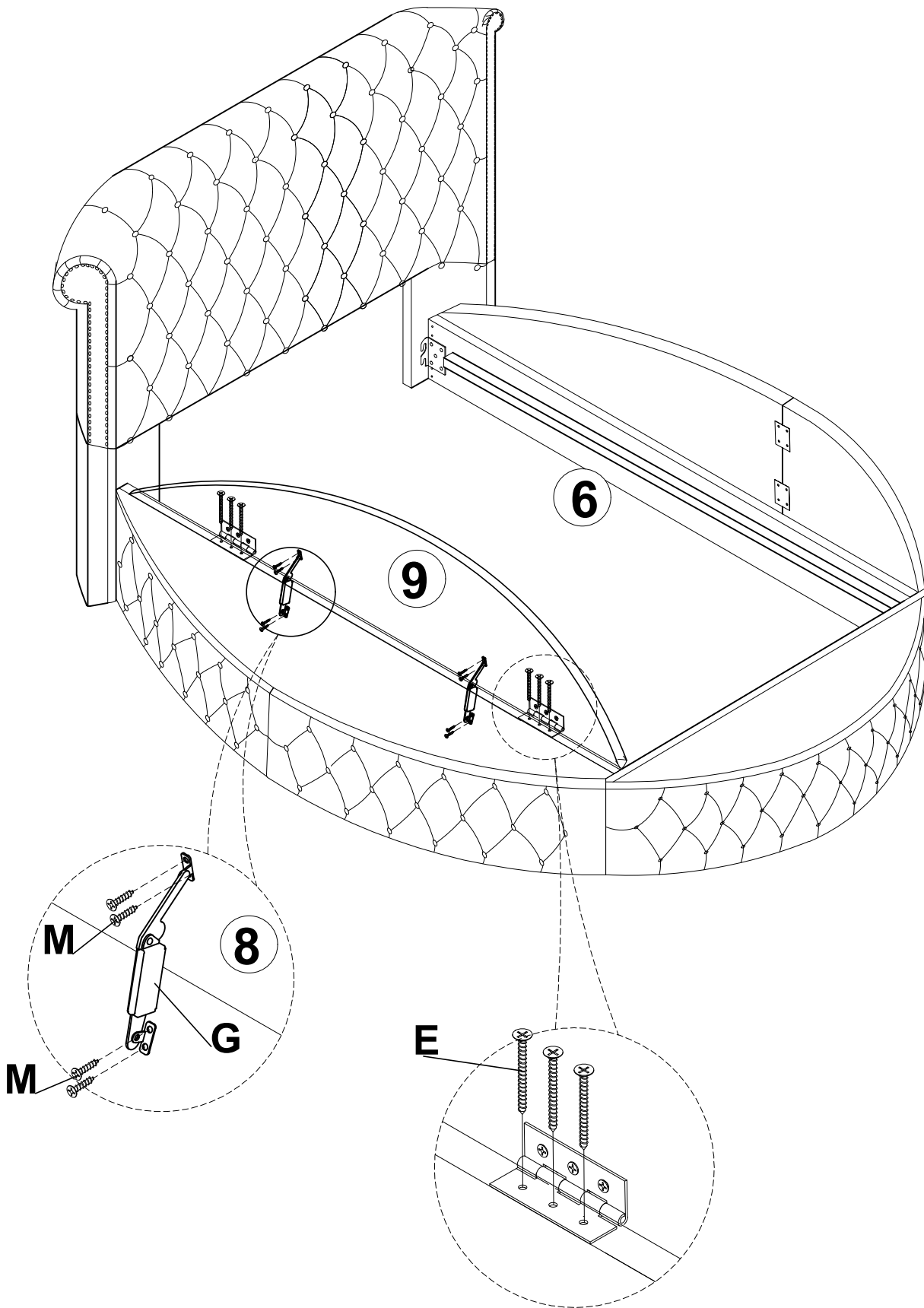


**STEP 5**


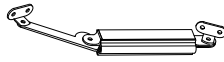



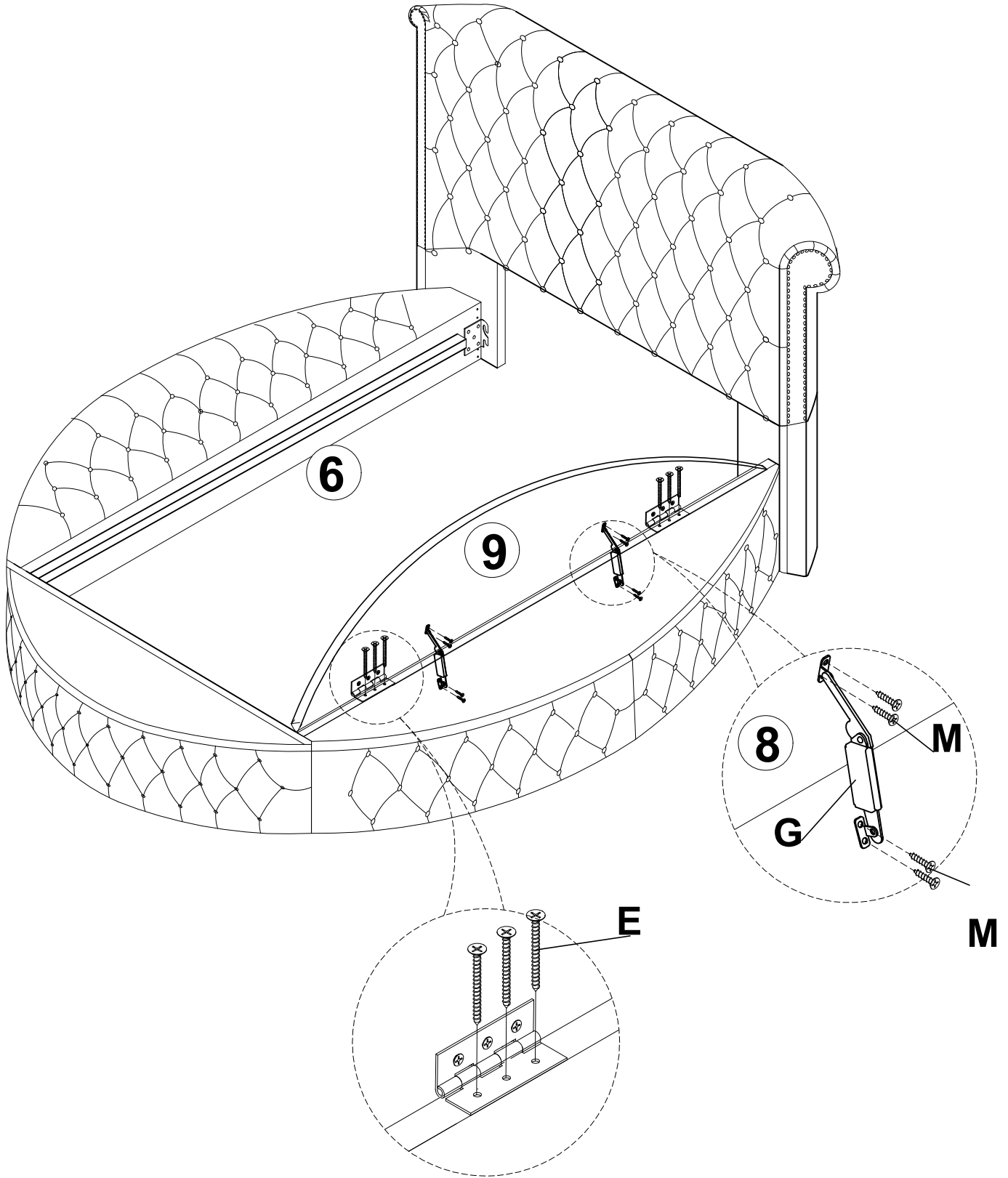
# STEP 6

<b>M</b>		<b>G</b>		<b>E</b>	
<b>8PCS</b>		<b>2PCS</b>		<b>6PCS</b>	


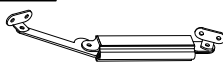
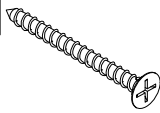


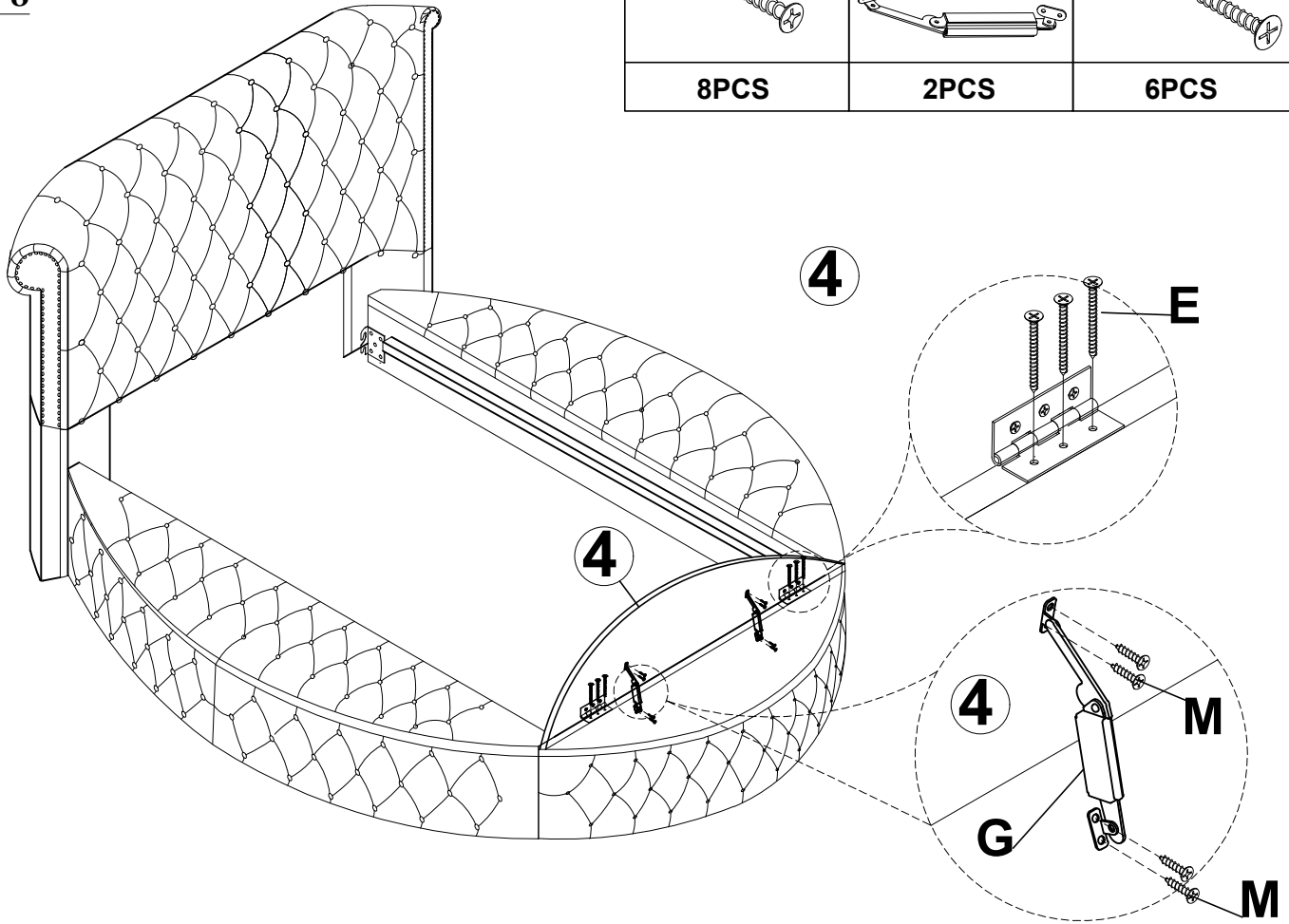
# STEP 7

<b>M</b> 	<b>G</b> 	<b>E</b> 
<b>8PCS</b>	<b>2PCS</b>	<b>6PCS</b>



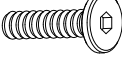


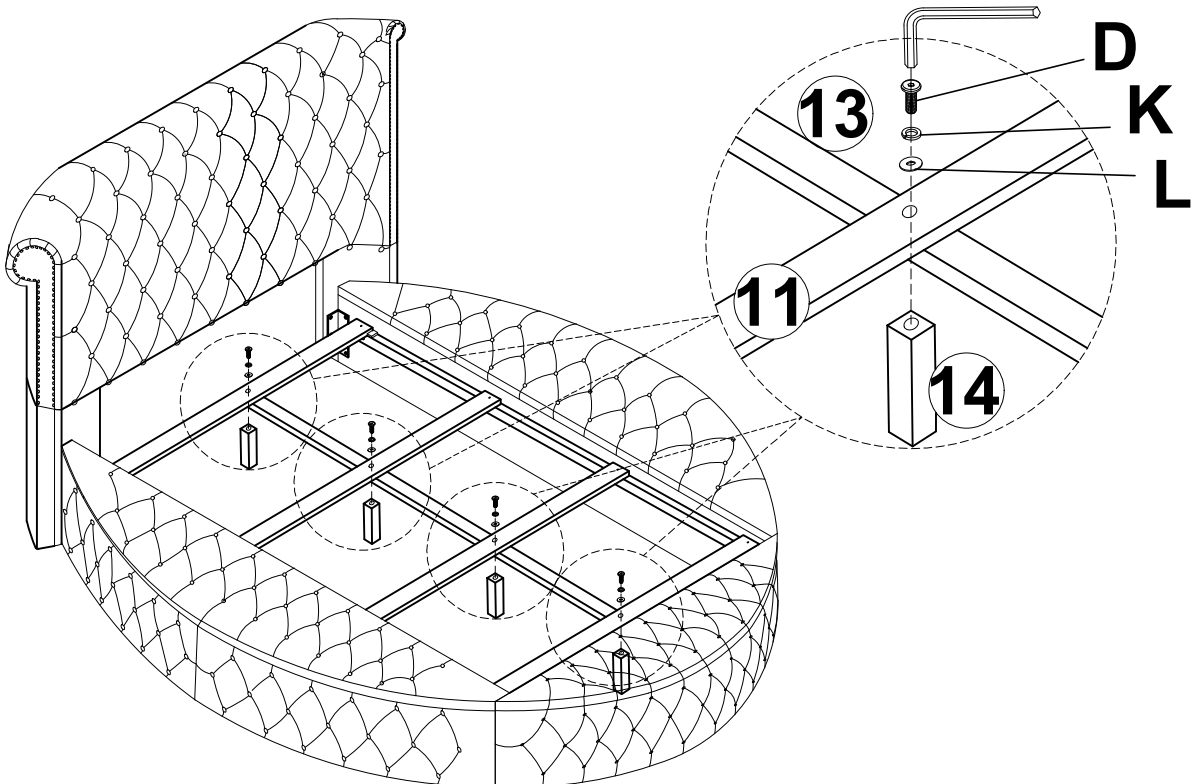
# STEP 8

<b>M</b>		<b>G</b>		<b>E</b>	
<b>8PCS</b>		<b>2PCS</b>		<b>6PCS</b>	



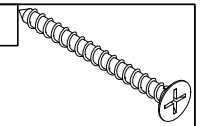
# STEP 9

<b>K</b>		<b>L</b>		<b>D</b>	
<b>4PCS</b>		<b>4PCS</b>		<b>4PCS</b>	



# STEP 10

E



20PCS

