


ASSEMBLY INSTRUCTION

(A)  3.5x35=36x

PARTS



10

1x4

2x2

3x4

4x2

5x2

6x4

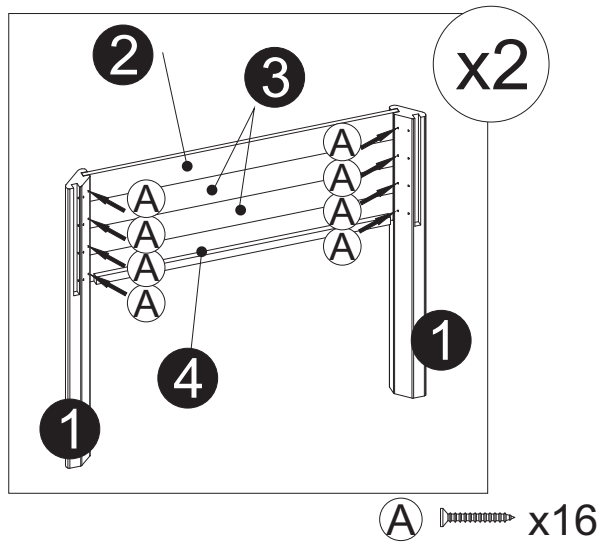
7x2

8x2

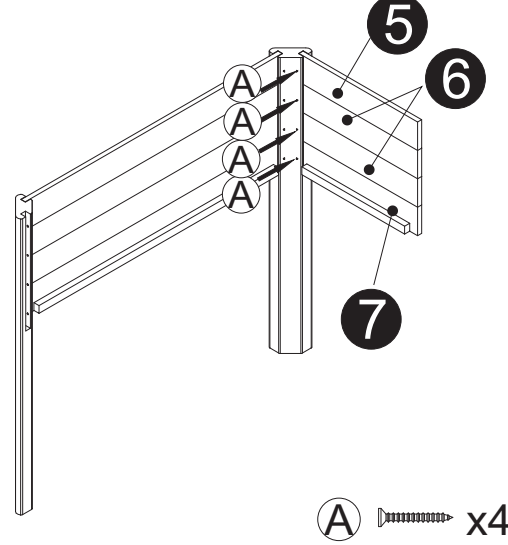
9x4

ASSEMBLY

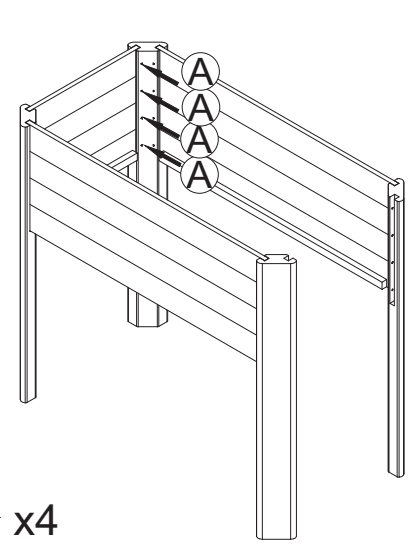
1



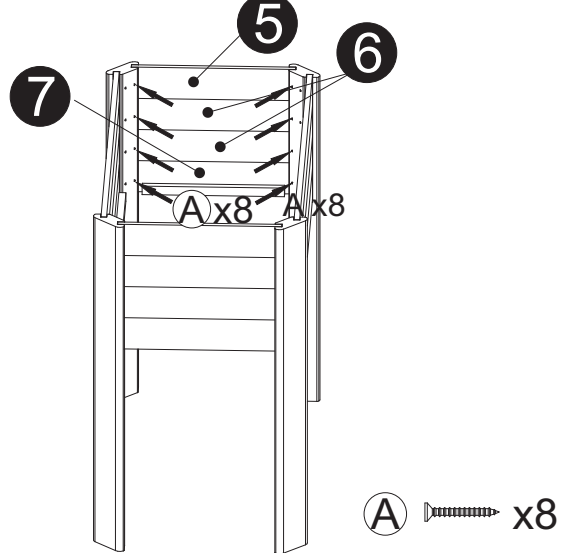
2



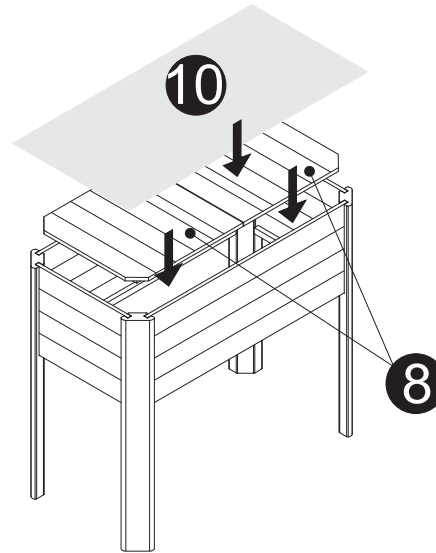
3



4



5



6

