



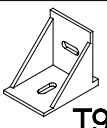


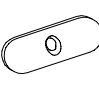






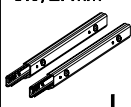
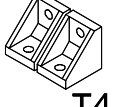

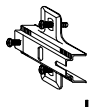




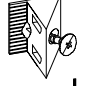
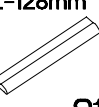
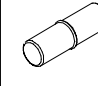


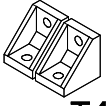
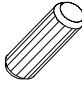

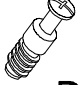




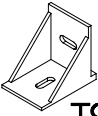

 +20/8mm J14	 +10x50mm O7	 L9
8	2	2

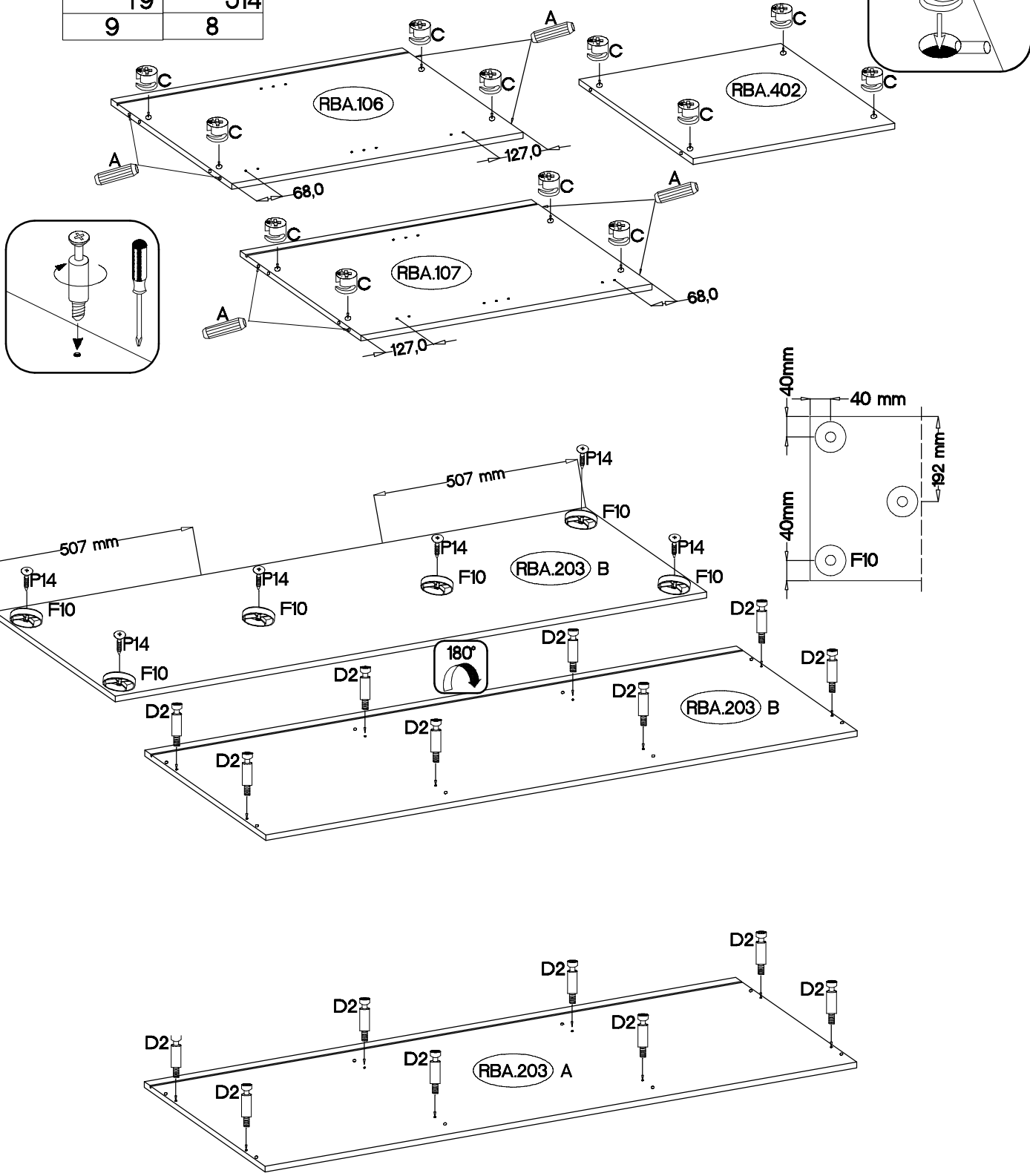
 +6,3x20mm M3	 +6x42mm B2	 T9	 F10	 +4.0x25mm P14
8	4	9	6	6

 L2	 +3.5x13mm P5	 +4.0x16mm P1	 +4.0x30mm R2	 J12	 M4x9mm U1	 O1	 310/27mm I	 T4
10	10	26	8	4	4	1	2	2

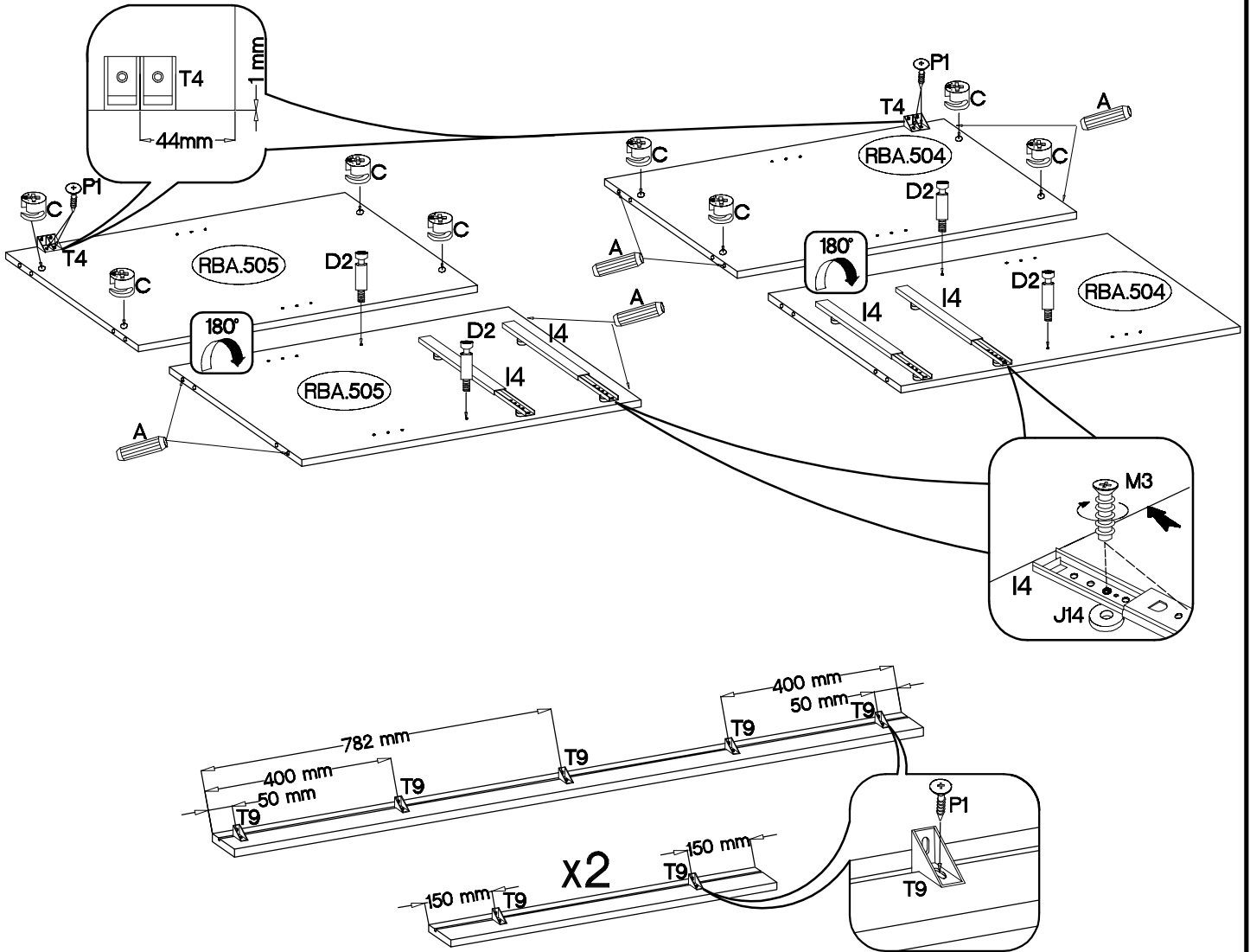
 E	 H	 +3.0x20mm P7	 L=20mm D2	 +15/12mm C	 +8x30mm A	 L L	 L=128mm S1	 +5/16mm J3	 +35/0mm G
16	4	13	20	20	28	14	4	8	4

1

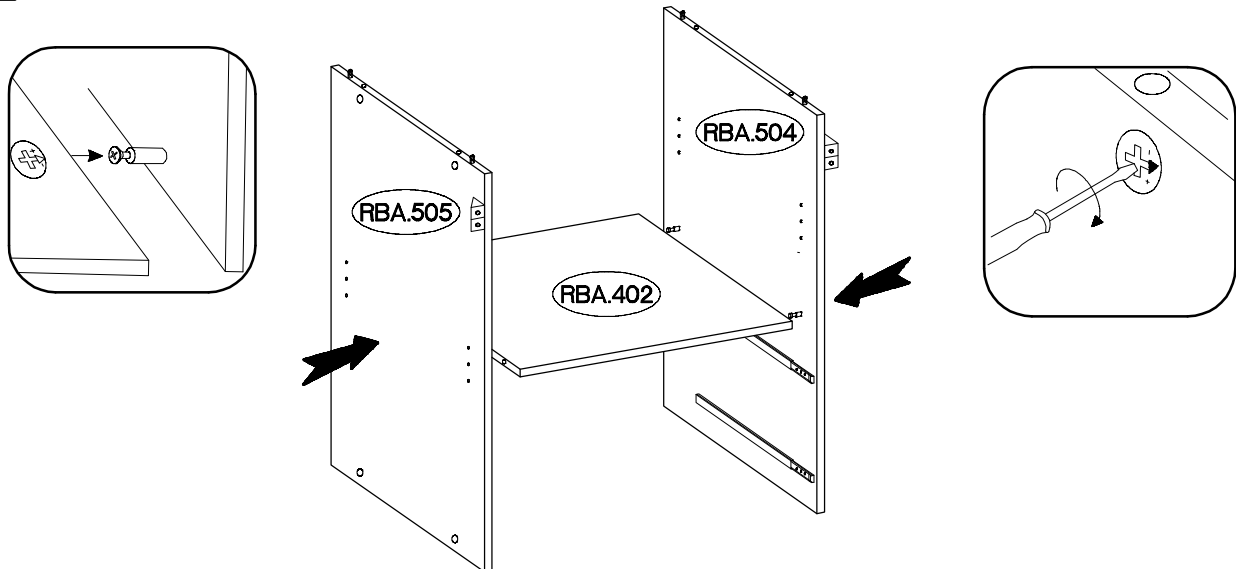
310/27mm  I	 T4	±8x30mm  A	±15/12mm  C	L=20mm  D2	±6,3x20mm  M3	 F10	±4.0x25mm  P14	±4.0x16mm  P1
2	2	16	20	20	8	6	6	13
 T9	±20/8mm  J14							
9	8							



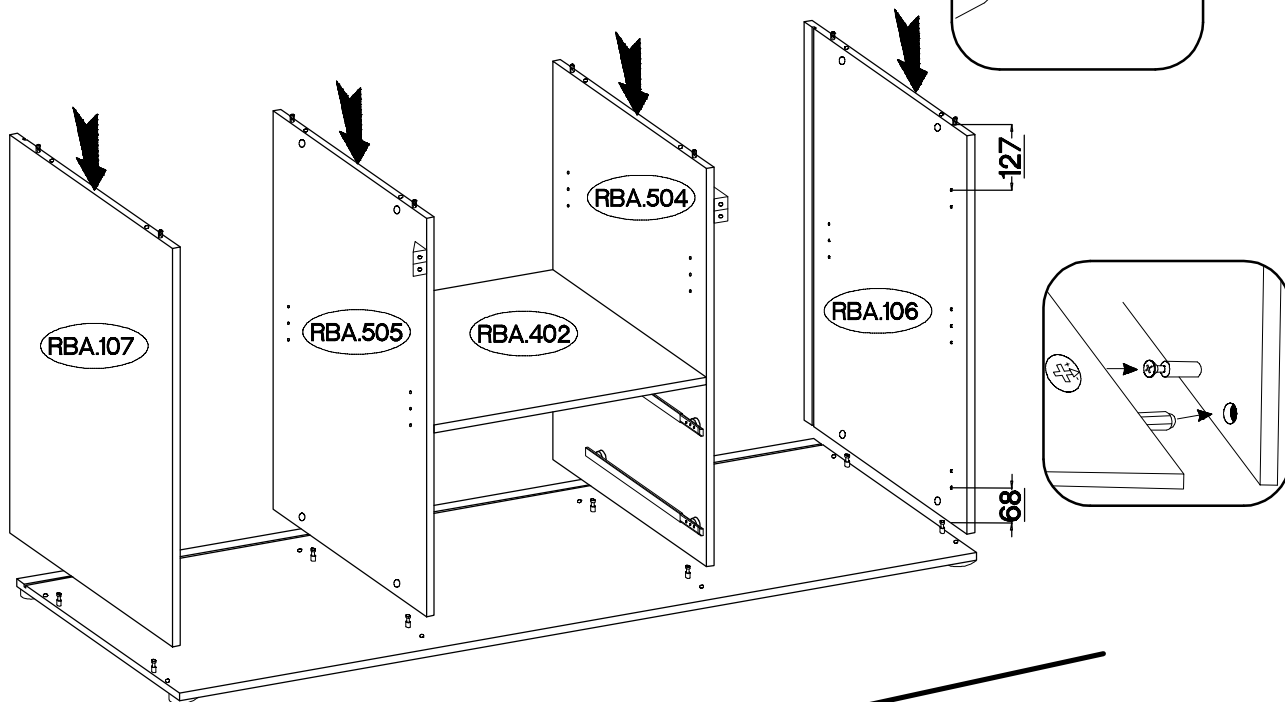
1



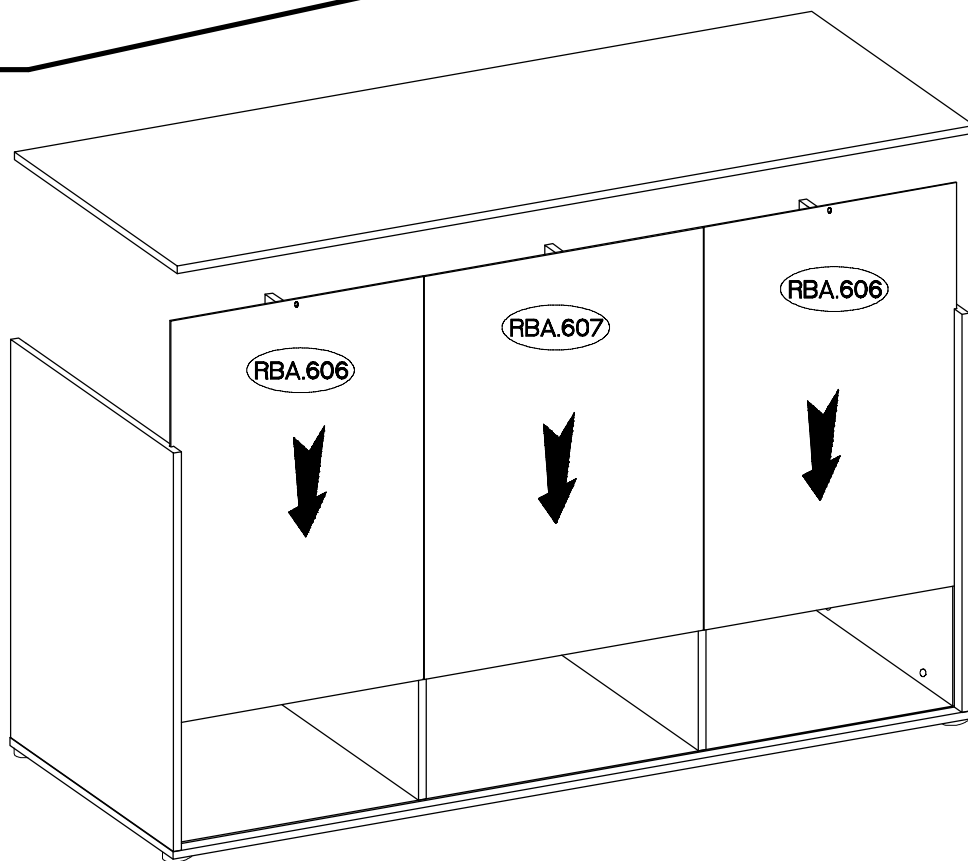
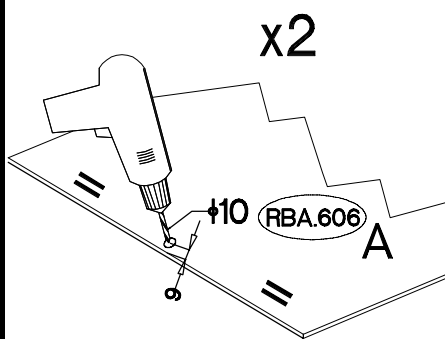
2



3



4



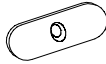
# 5

±3.0x20mm



P7

13



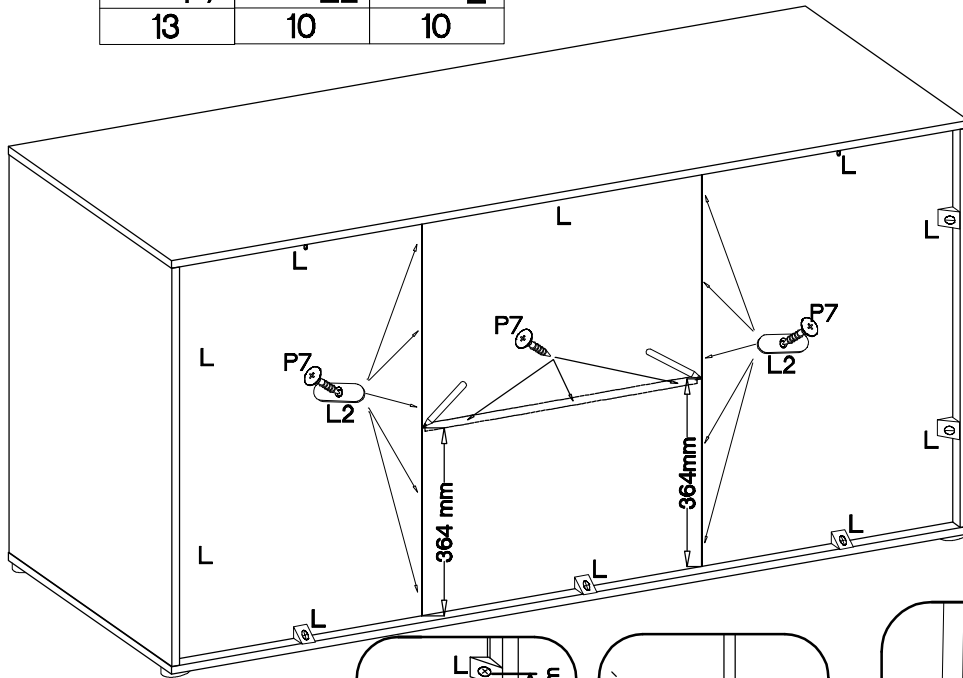
L2

10

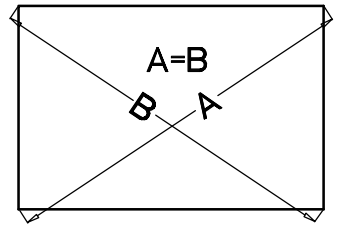


L

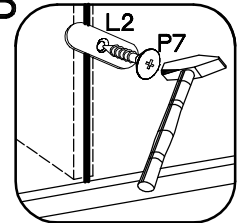
10



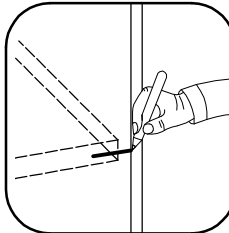
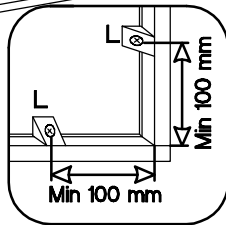
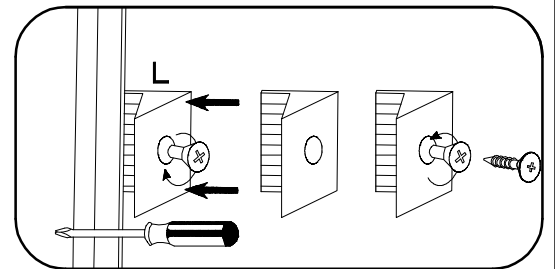
### A



### B



### C



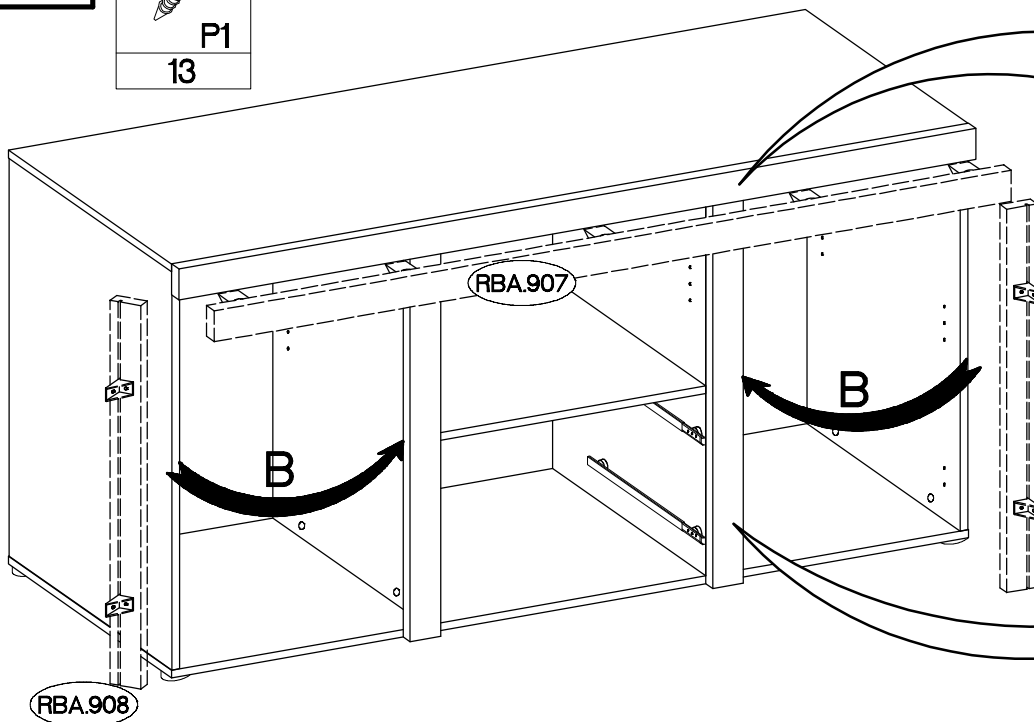
# 6

±4.0x16mm

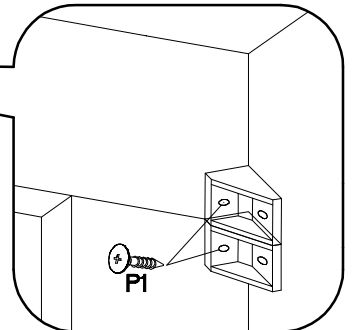


P1

13

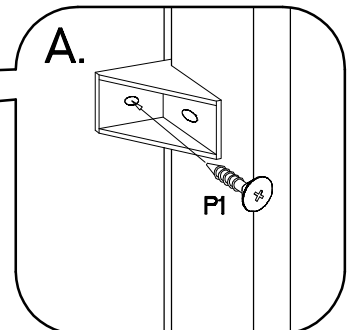


x2

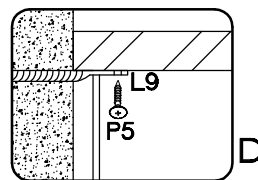
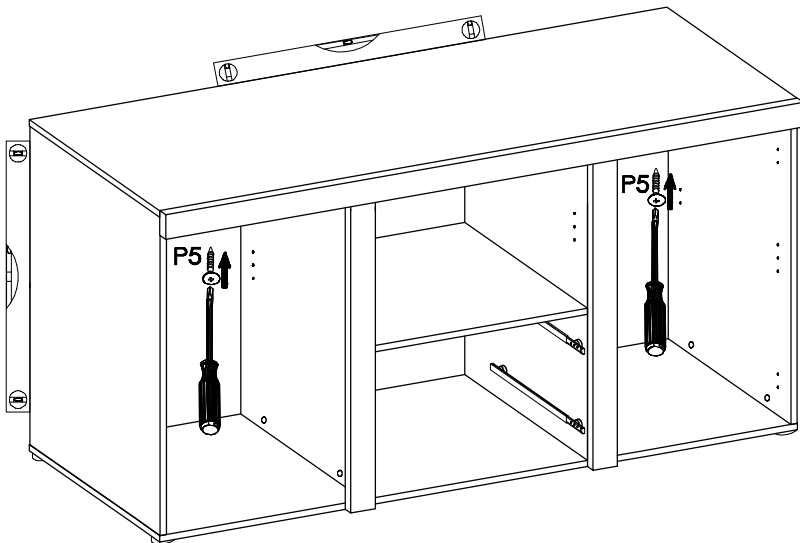
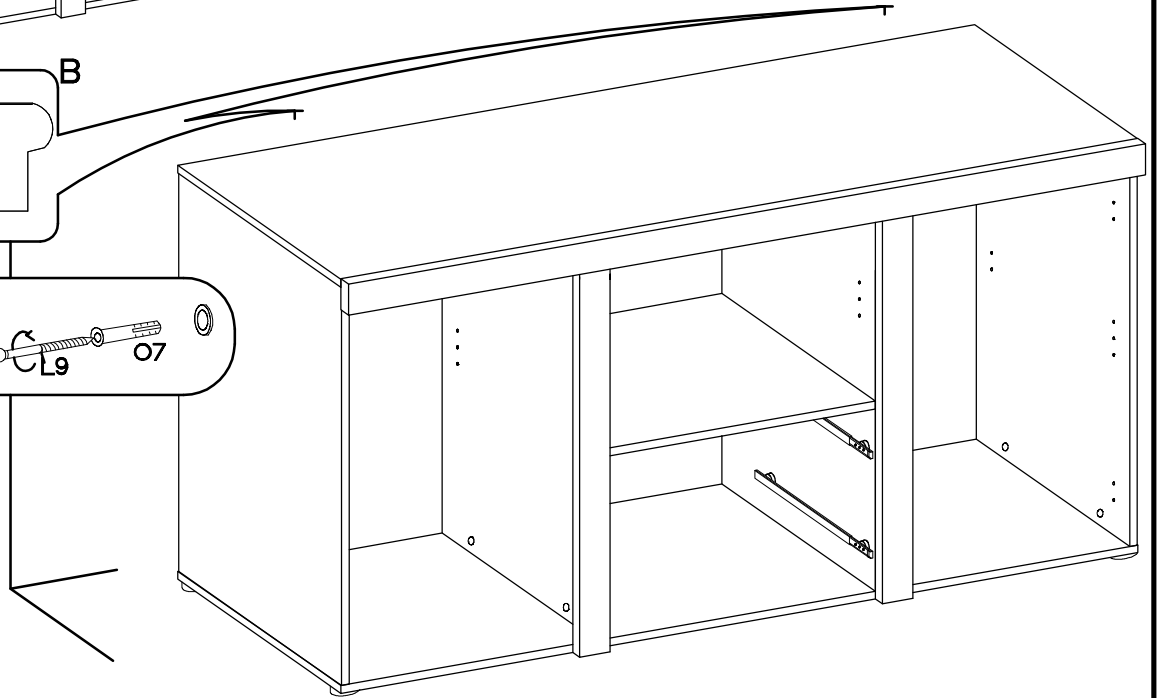
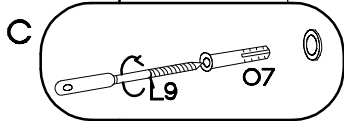
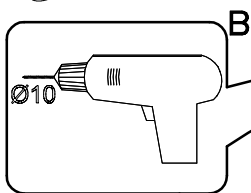
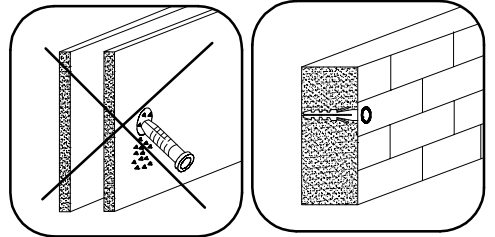
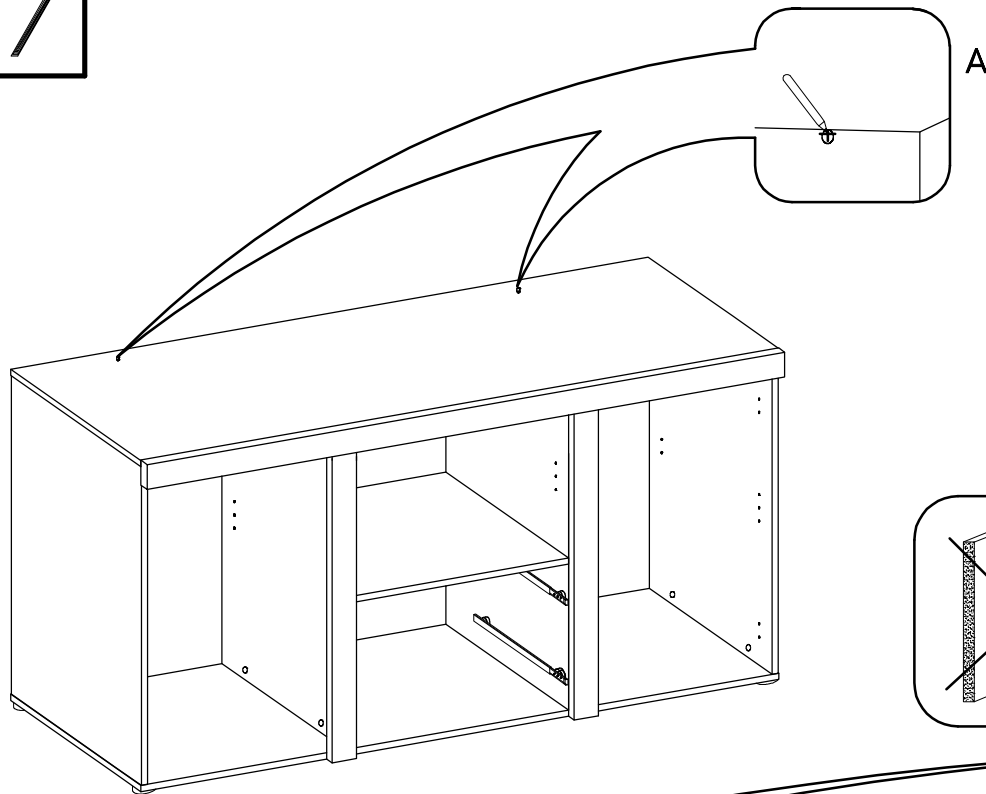


x9

### A.




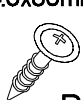
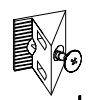



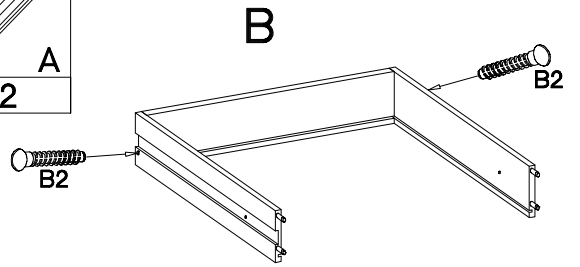
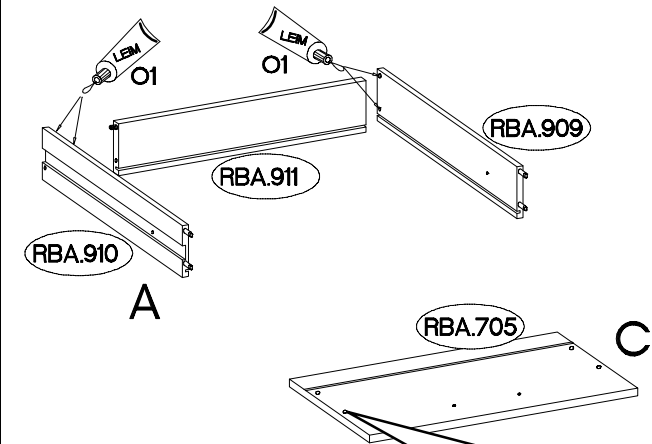
7



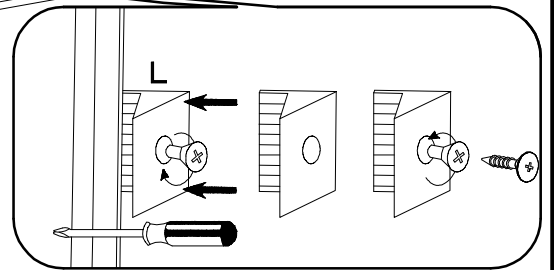
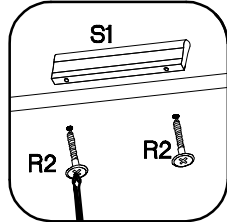
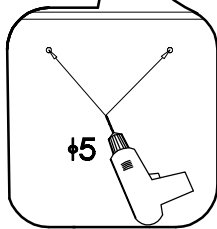
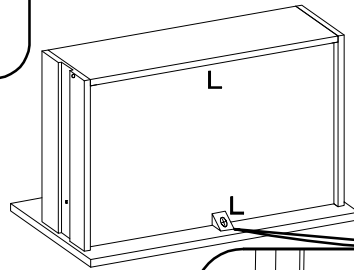
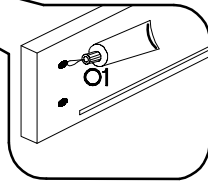
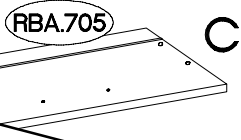
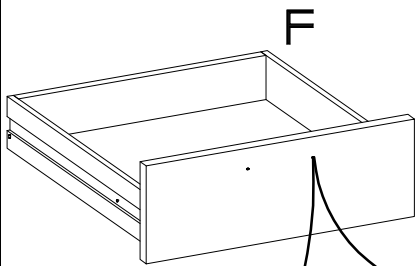
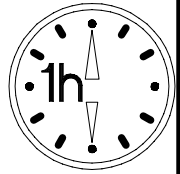
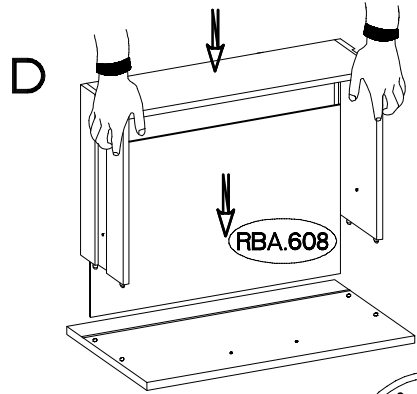
±10x50mm		±3.5x13mm
O7	L9	P5
2	2	2

# 8


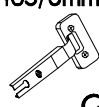

$\pm 6 \times 42 \text{mm}$  <b>B2</b> 4	 <b>O1</b> 1	$L=128 \text{mm}$  <b>S1</b> 2	$\pm 4.0 \times 30 \text{mm}$  <b>R2</b> 4	 <b>L</b> 4	$\pm 8 \times 30 \text{mm}$  <b>A</b> 12
---	--	---	---	---	---

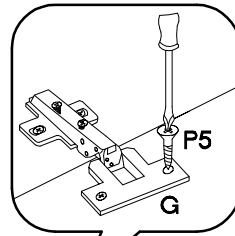
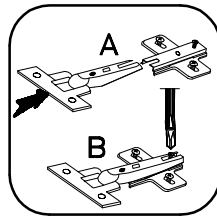


x2

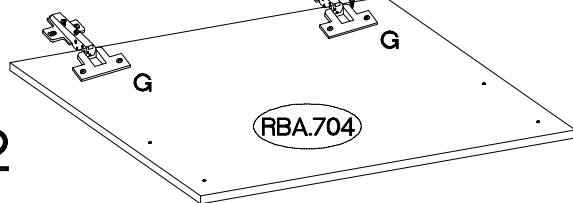


# 9

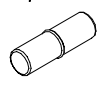
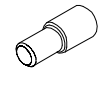
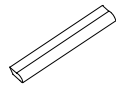



$H=0$  <b>H</b> 4	$\pm 35/0 \text{mm}$  <b>G</b> 4	$\pm 3.5 \times 13 \text{mm}$  <b>P5</b> 8
---	--	--



x2



# 10

±5/16mm 		L=128mm 	±4.0x30mm 	M4x9mm 	
J3	J12	S1	R2	U1	E
8	4	2	4	4	16

