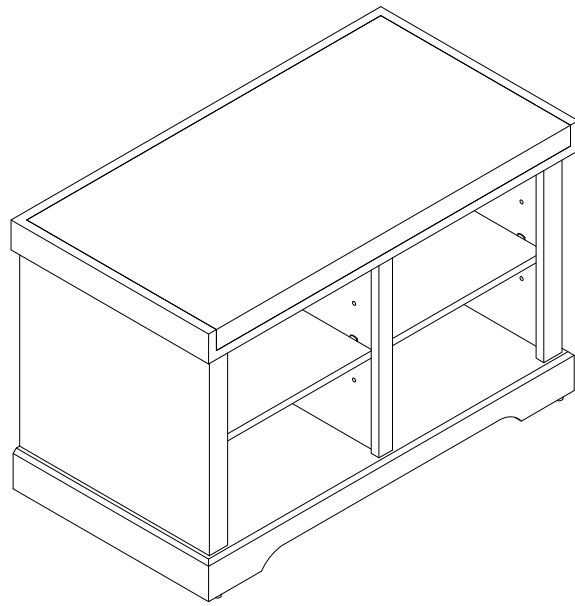
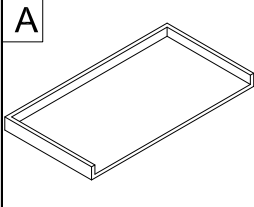
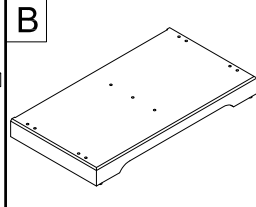
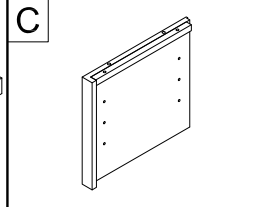
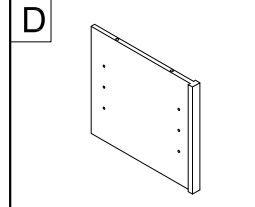
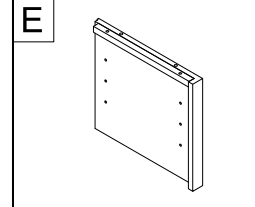
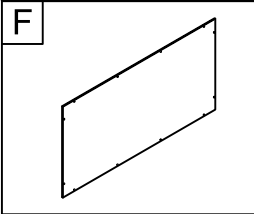
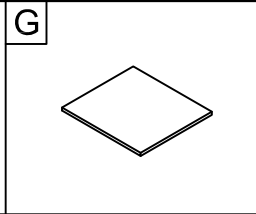
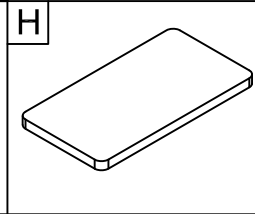


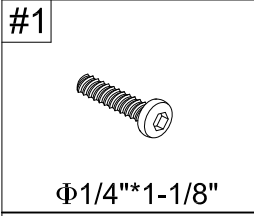
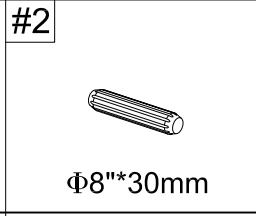
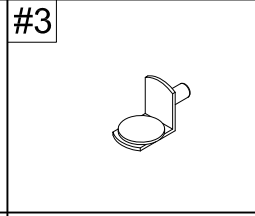
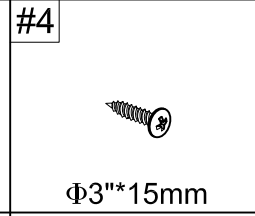
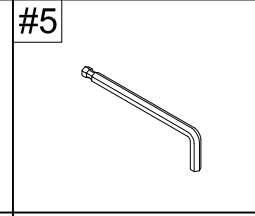
Bench



PART LIST

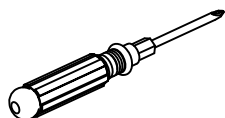
				
<p>Top Panel 1 PC</p>	<p>Base 1 PC</p>	<p>Left Panel 1 PC</p>	<p>Divider Panel 1 PC</p>	<p>Right Panel 1 PC</p>
				
<p>Back Panel 1 PC</p>	<p>Adjustable Shelf 2 PCS</p>	<p>Cushion 1 PC</p>		

HARDWARE LIST

				
<p>#1 Φ1/4"×1-1/8"</p> <p>Bolt 9 PCS</p>	<p>#2 Φ8"×30mm</p> <p>Wood Dowel 12 PCS (Extra 2)</p>	<p>#3</p> <p>Shelf Holder 8 PCS (Extra 1)</p>	<p>#4 Φ3"×15mm</p> <p>Round Head Screw 13 PCS (Extra 2)</p>	<p>#5</p> <p>Allen Wrench 1 PC</p>

ADDITIONAL TOOLS (Not Provided)

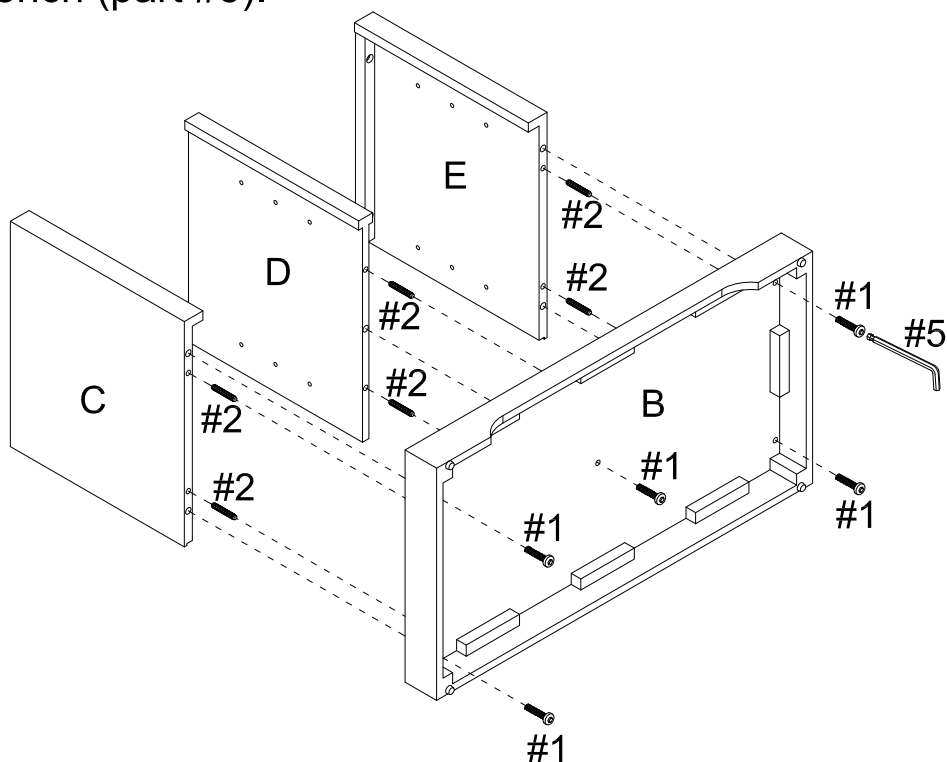
Note: It is not recommended to use power tools during assembly.






Phillips Head Screwdriver

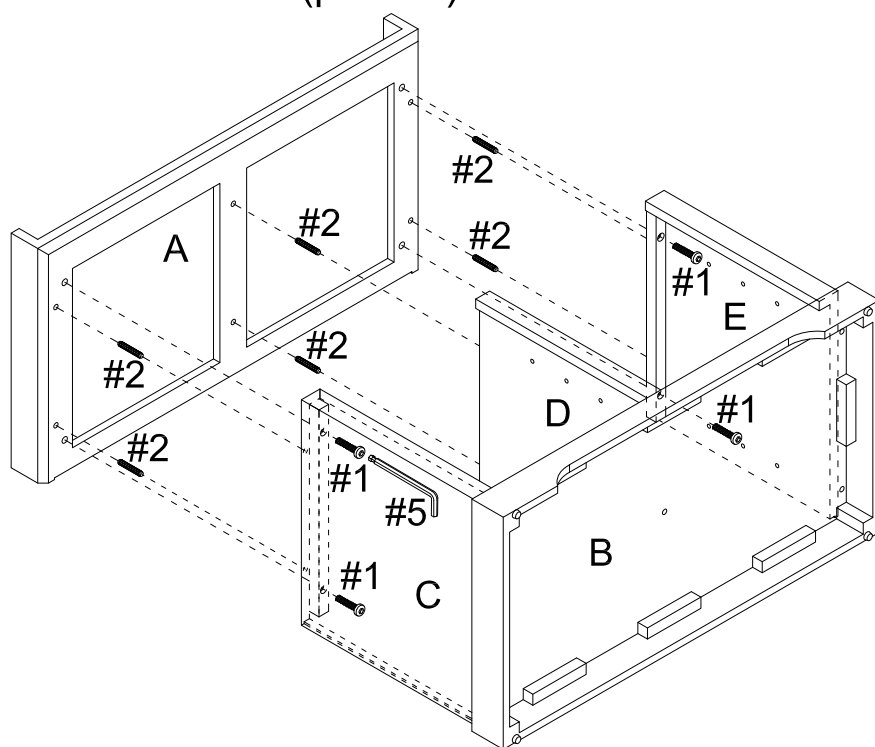
Note: Wood dowels are intended for alignment. Additional clearance between wood dowel and pre-drilled hole is intentional for ease of assembly.




Step 1. Attach left panel (part C), divider panel (part D) and right panel (part E) to base (part B) using wood dowels (part #2), bolts (part #1) and allen wrench (part #5).



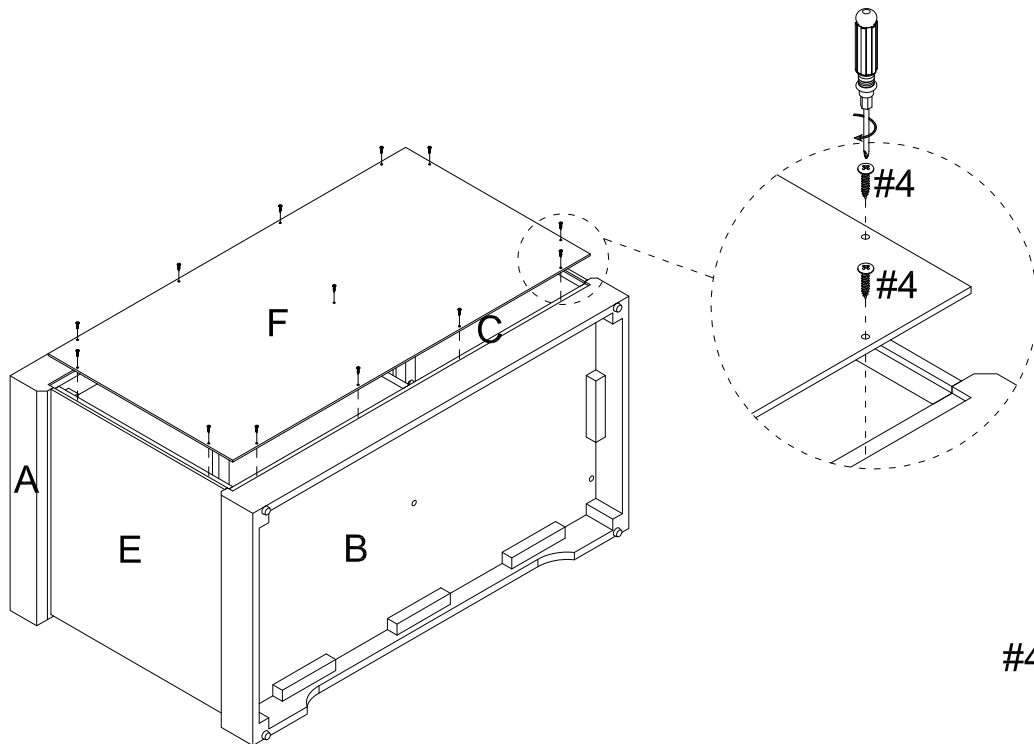
- | | | |
|----|--|-----|
| #1 |  | x 5 |
| #2 |  | x 6 |
| #5 |  | x 1 |

Step 2. Attach top panel (part A) to left panel (part C), divider panel (part D) and right panel (part E) using wood dowels (part #2), bolts (part #1) and allen wrench (part #5).



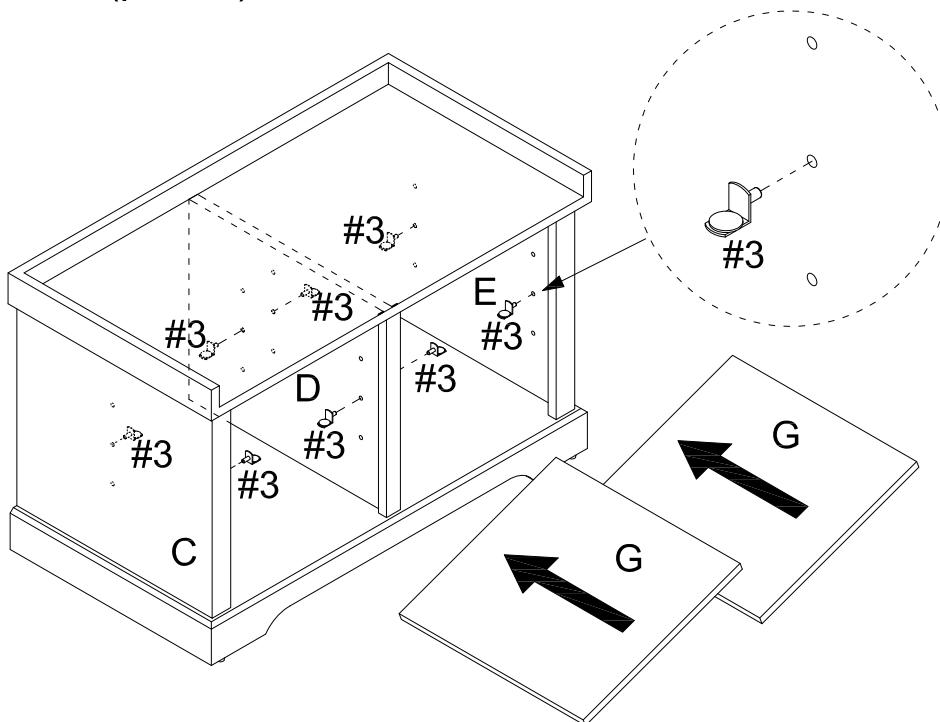
- | | | |
|----|---|-----|
| #1 |  | x 4 |
| #2 |  | x 6 |
| #5 |  | x 1 |

Step 3. Attach back panel (part F) to assembled unit (parts A, B, C, D & E) using round head screws (part #4) and phillips head screwdriver.



#4  x 13

Step 4. Insert shelf holders (part #3) into desired position and add adjustable shelves (part G).



#3  x 8

Step 5. Place cushion (part H) on top panel (part A).

