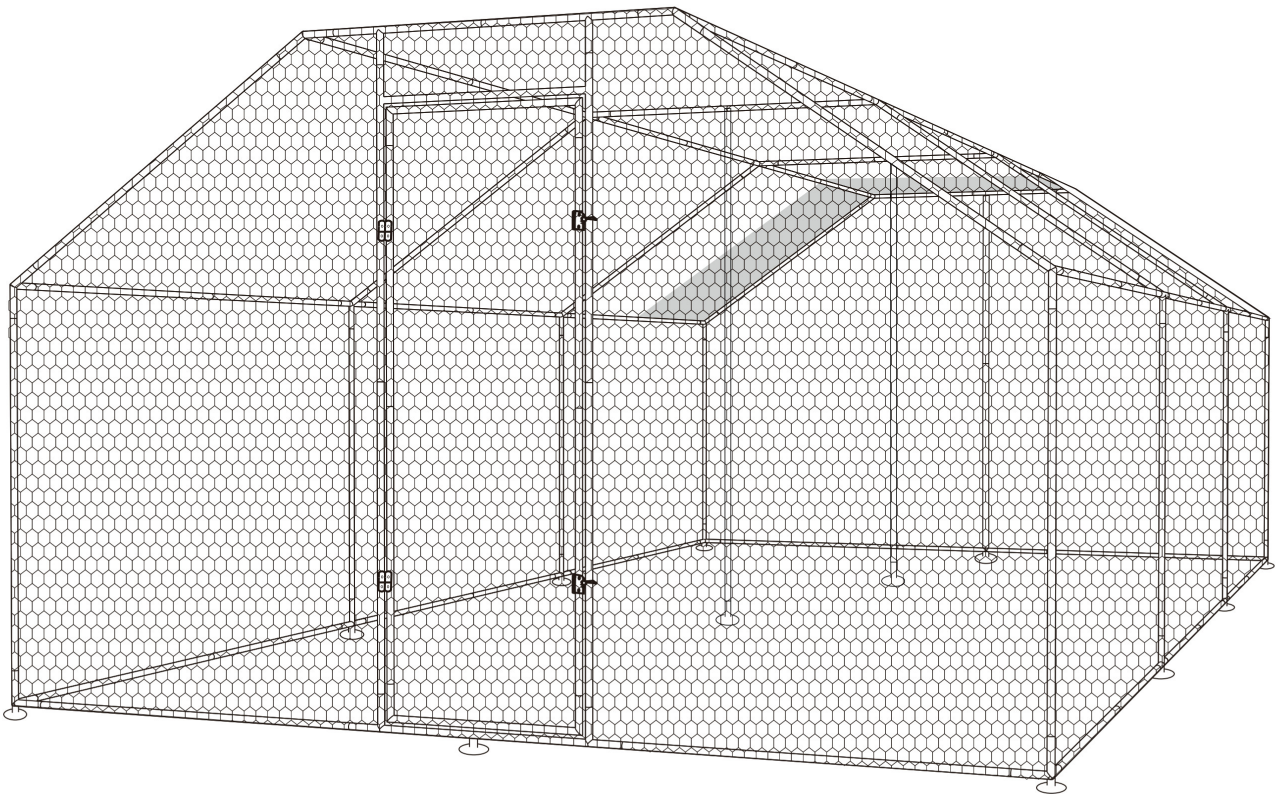


236"x118"x79" Outdoor Pet Run Owner's Manual

Tip: Ship out as 2 Boxes
May Not arrive at the same time
24 Hours After-Sales Service



Watch the weather: Better select a calm day to install this item.
Teamwork: More partners to complete this item may be more efficient.
Tools: Basic tools are needed in assembly.

Before You Begin

Owner's Manual

Before beginning construction, check local building codes regarding footings, location and other requirements. Study and understand this owner's manual. Important information and helpful tips will make your construction easier and more enjoyable.

Assembly Instructions: Instructions are supplied in this manual and contain all appropriate information for your building model. Review all instructions before you begin, and during assembly, follow the step sequence carefully for correct results.

Parts and Parts List: Check to be sure that you have all the necessary parts for building .

Separate contents of the carton by the part number while reviewing parts list.

The first few steps show how to join related parts to make larger sub assemblies which will be used later.

Familiarize yourself with the hardware and fasteners for easier use during construction.

These are packaged within the carton. Note that extra fasteners have been supplied for your convenience.

Plan Ahead

Watch the Weather: Be sure the day you select to install your building is dry and calm.

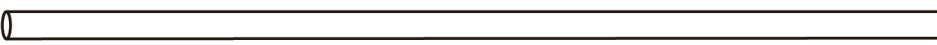
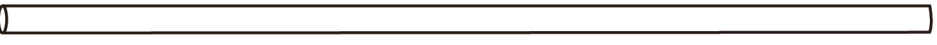


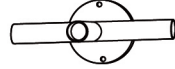
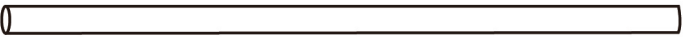
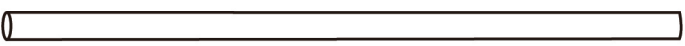
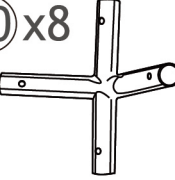
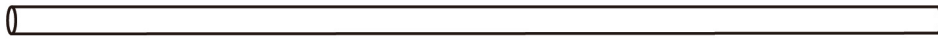
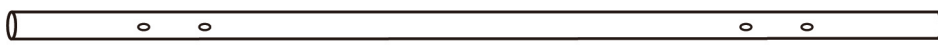

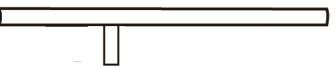
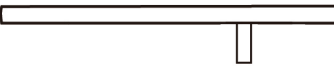



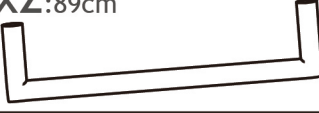

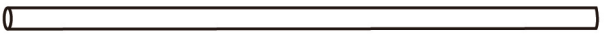
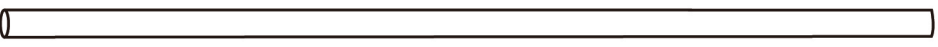
Do not attempt to assemble your building on a windy day.

Teamwork: Whenever possible, two or more people should work together to assemble your building. One person can position parts or panels while the other is able to handle the fasteners and the tools.









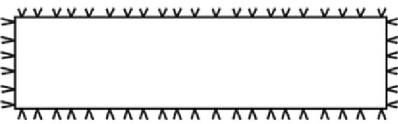
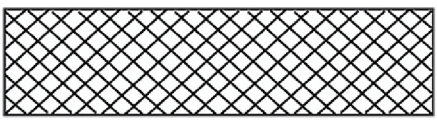
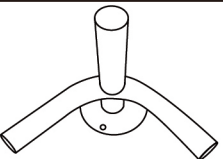
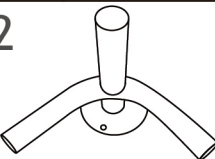
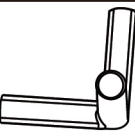
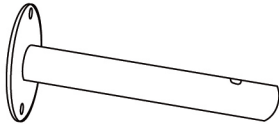
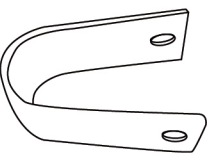
Tools and Materials: These are some basic tools and materials you will need for the construction of your building. Decide which method of anchoring and the type of foundation you wish to use in order to form a complete list of the materials you will need.

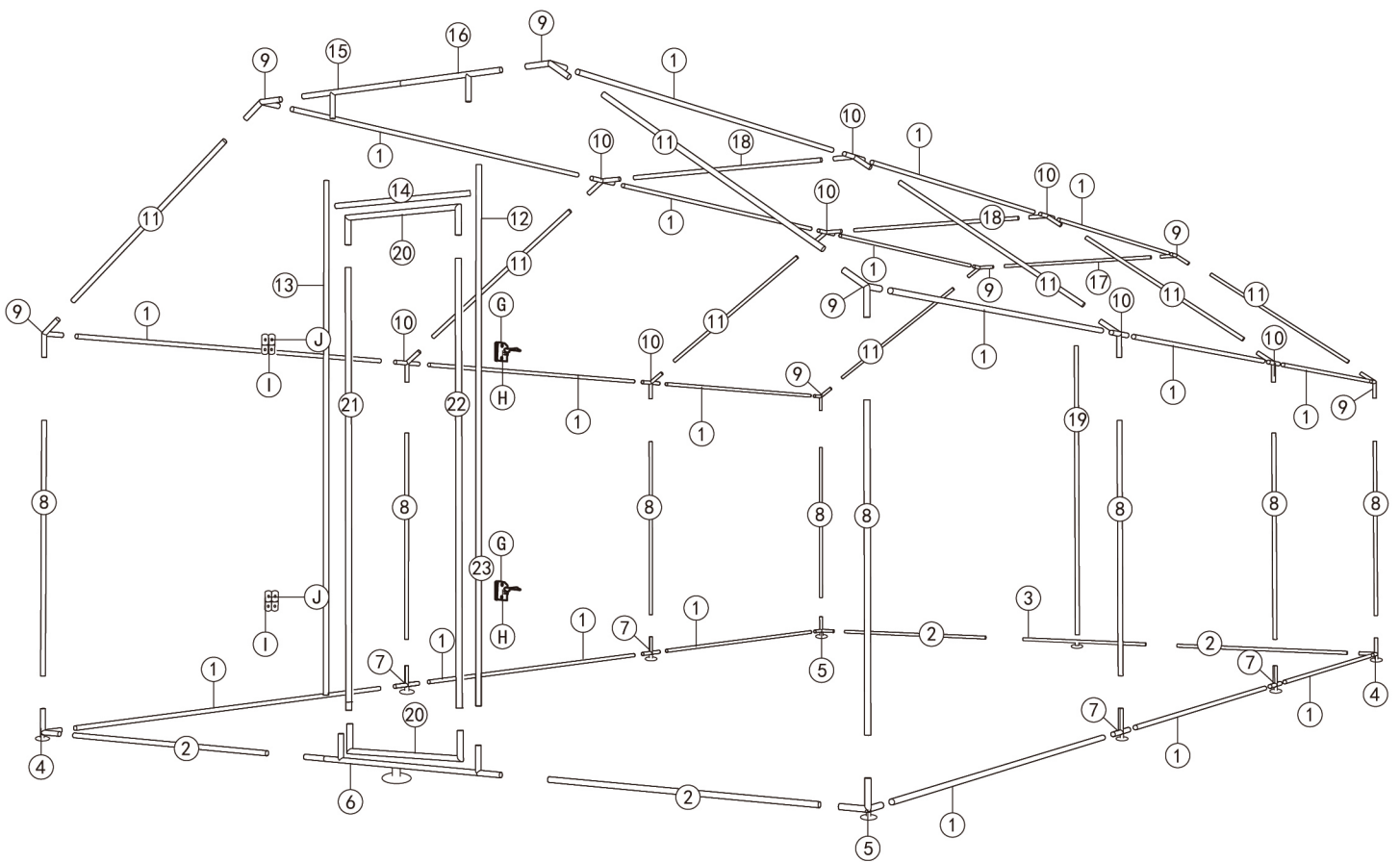
Parts list

PART A

① x18:185cm	
② x4:106.5cm	
③ x1:84cm	
⑥ x1:84.5cm	
⑦ x4	
⑧ x8:94.5cm	
⑪ x8:103.5cm	
	⑩ x8 
⑫ x1:179cm	
⑬ x1:179cm	
⑭ x1:60.5cm	
⑮ x1:64cm	
⑯ x1:64cm	
⑰ x1:122cm	
⑱ x2:122cm	
⑲ x1:179cm	
⑳ x2:89cm	
㉑ x1:141cm	
㉒ x1:141cm	
㉓ x2:181cm	

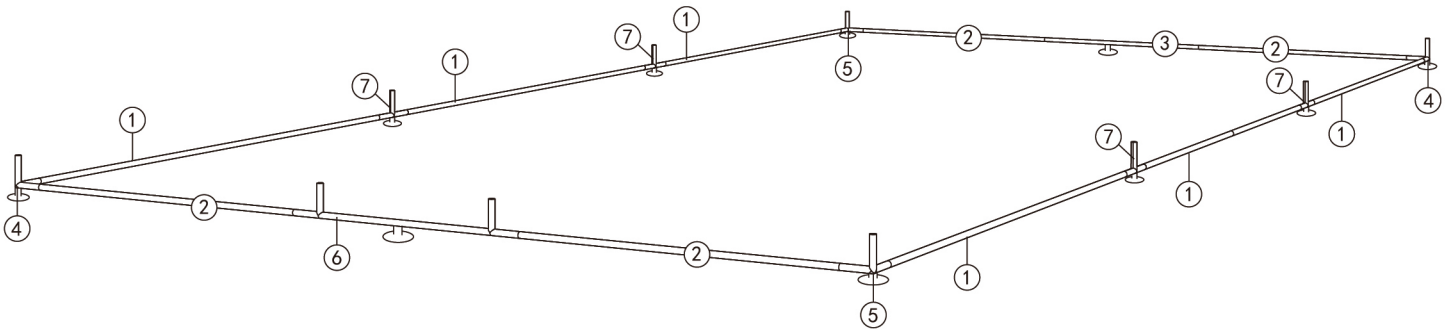
PART B

Jx2 	Lx2 	M3x8 	N1x1 	N2x4 	Px20 	Ox1 	Qx250 
Rain Cover 				Big Mesh 			
④ x2 		⑤ x2 		⑨ x8 			
⑳ x2 				㉕ x2 			



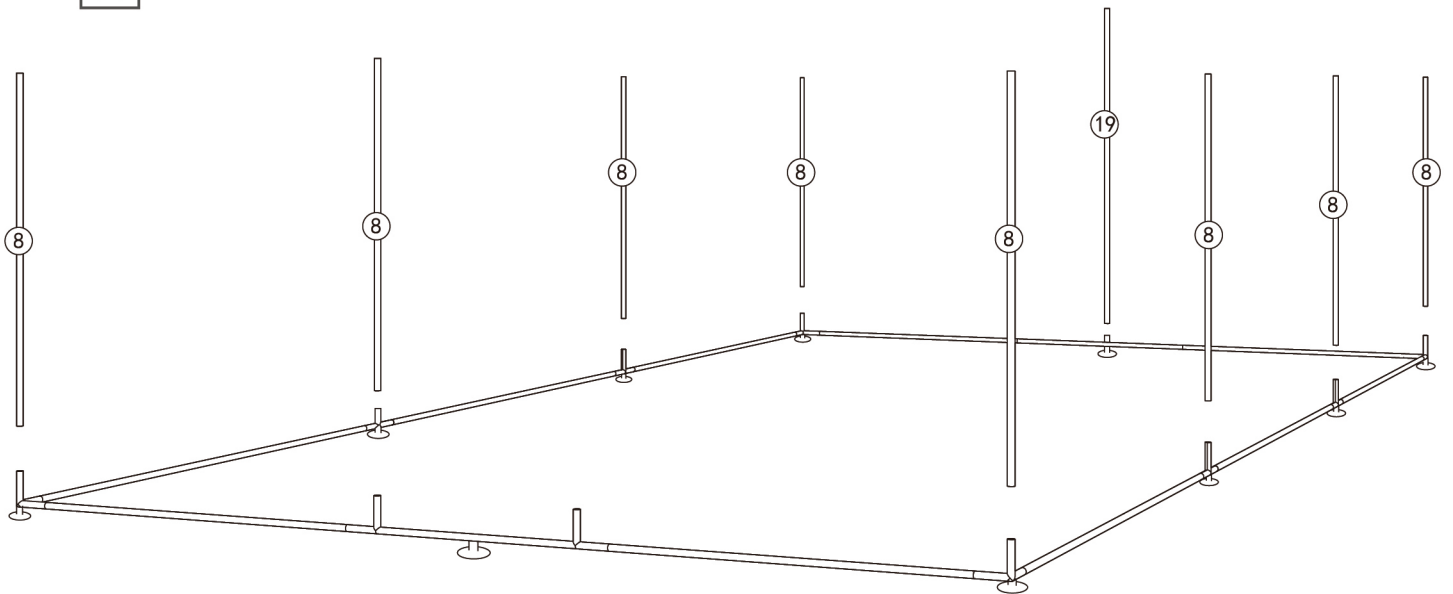
Assembly

1



①x6							
②x4							
③x1							
④x2		⑤x2		⑥x1		⑦x4	

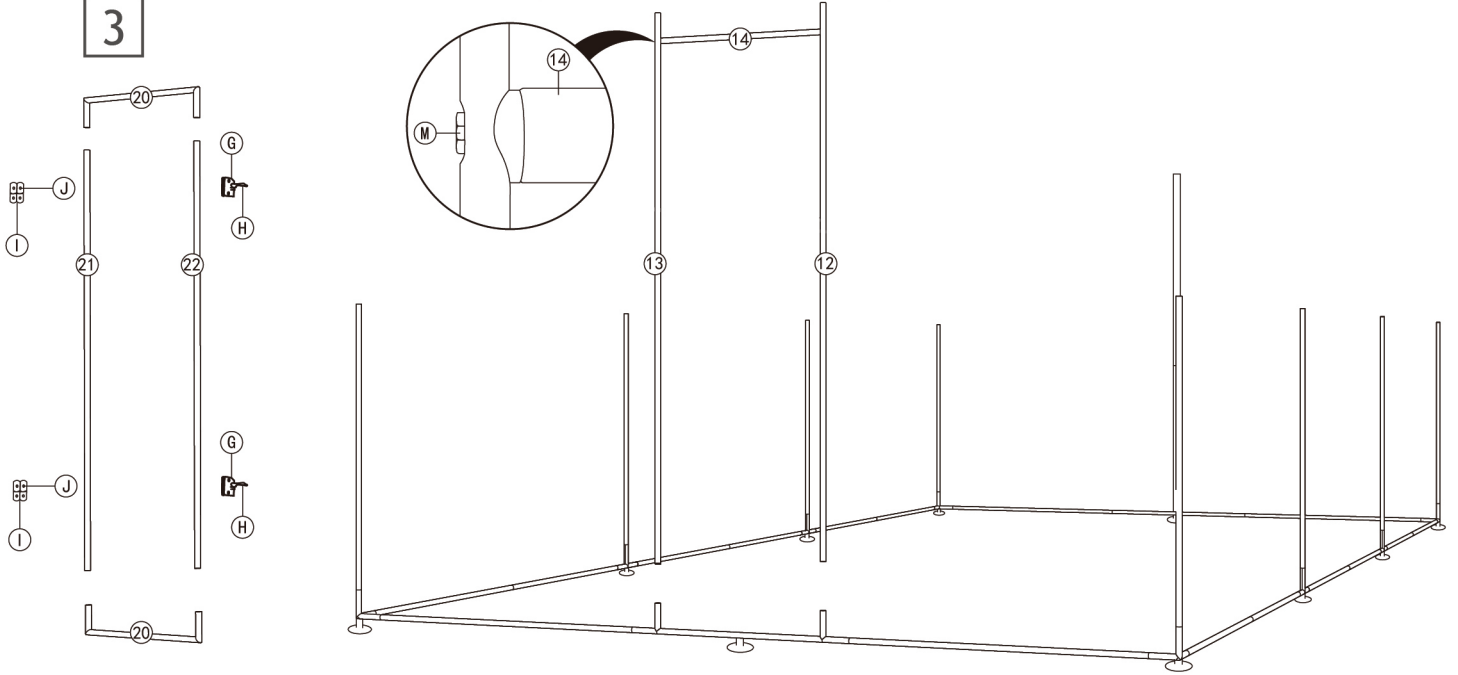
2



⑧x8	
⑱x1	

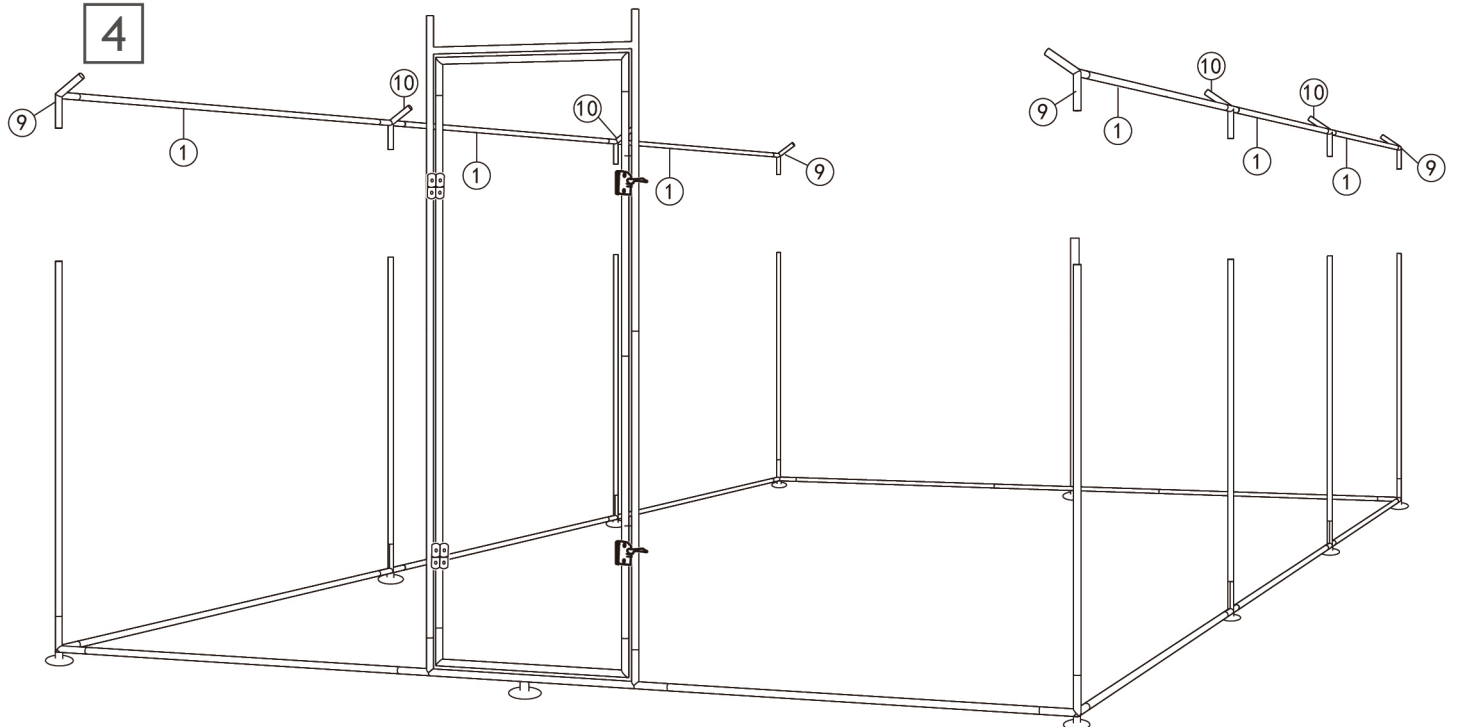
EN

3



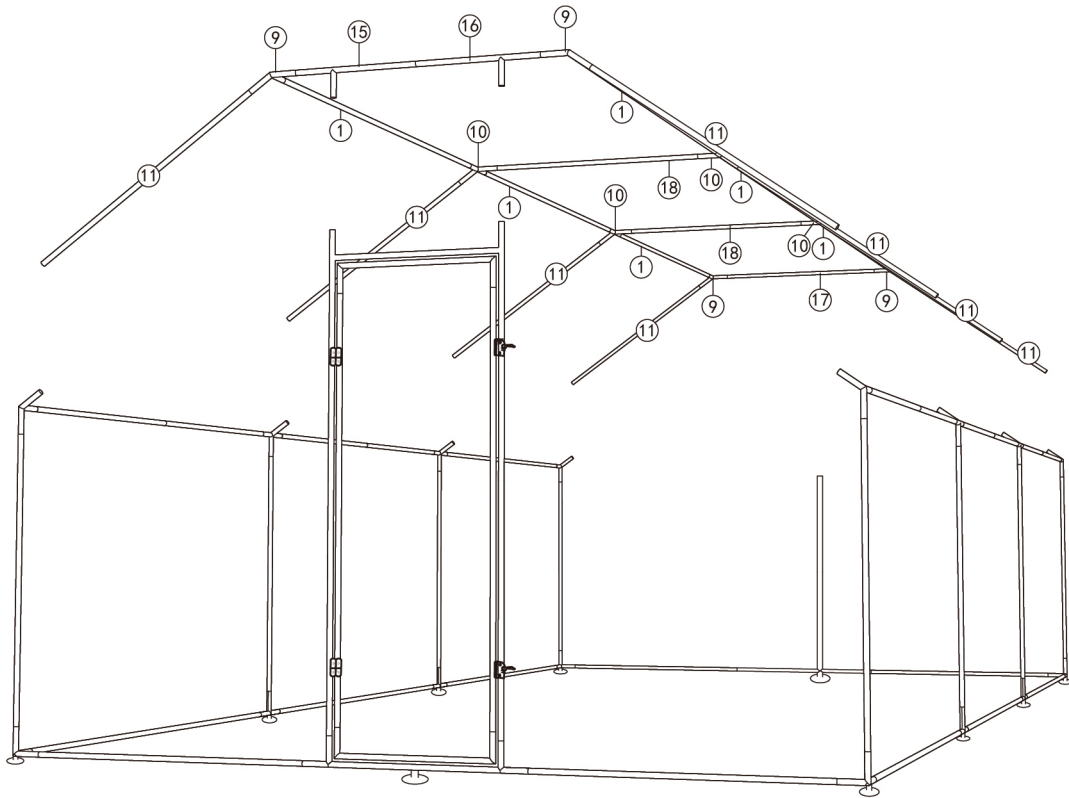
12 x1		20 x1		Gx2	
13 x1					
14 x1					
21 x1		Hx4	Ix2	Jx8	Mx2
22 x1					

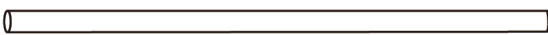
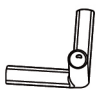
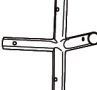





4



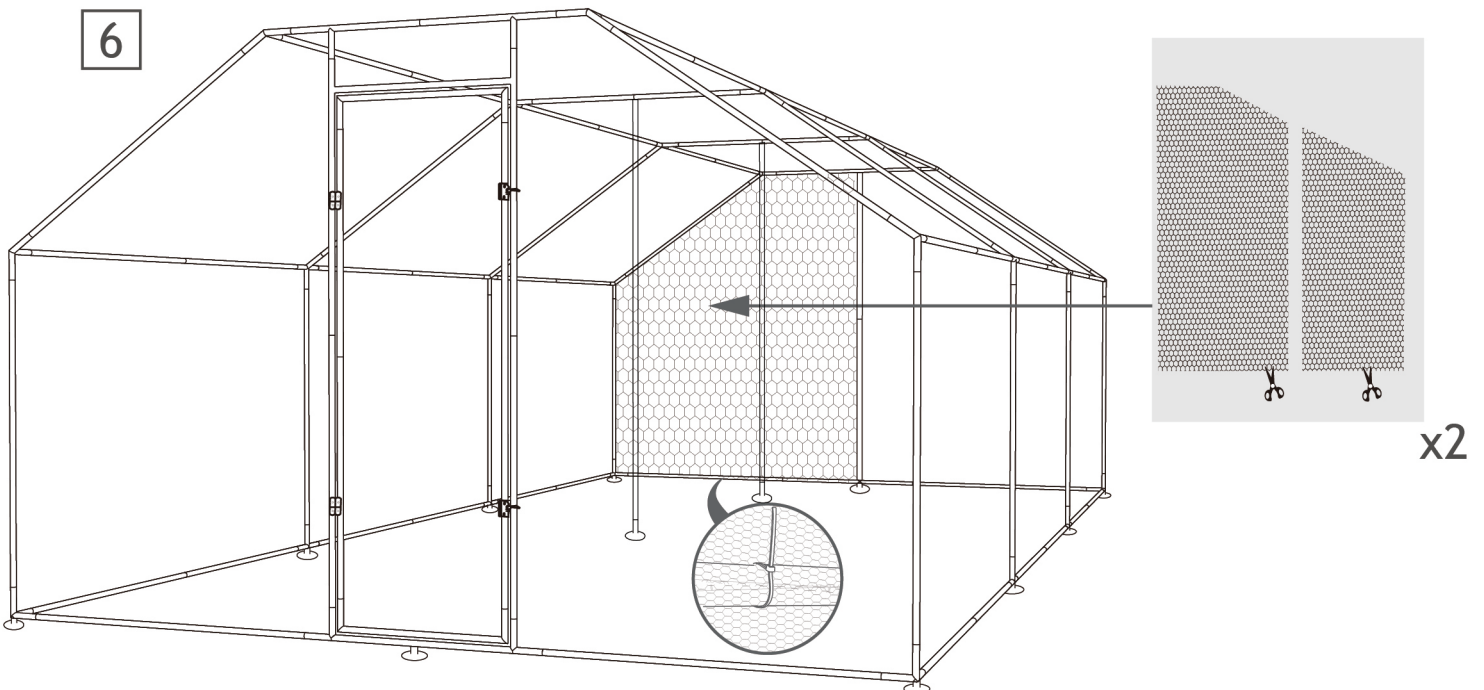
1 x6		9 x4		10 x4	
------	--	------	--	-------	--

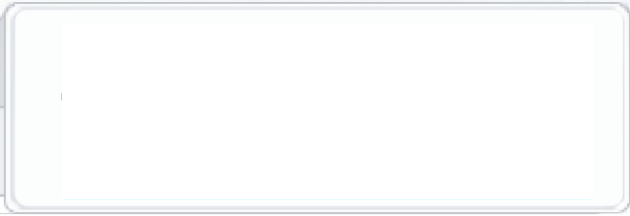
5



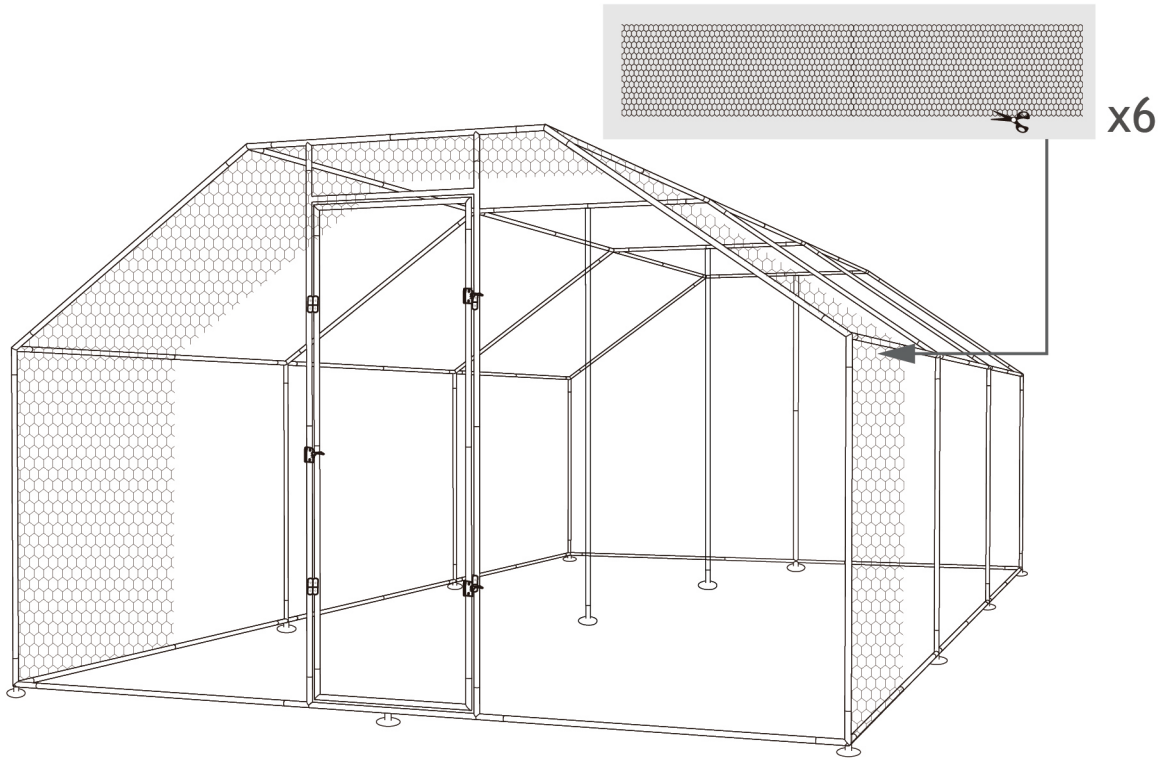
① x6			
⑨ x4		⑩ x4	
⑪ x8		⑮ x1	
⑯ x1		⑰ x1	
⑱ x2			

6

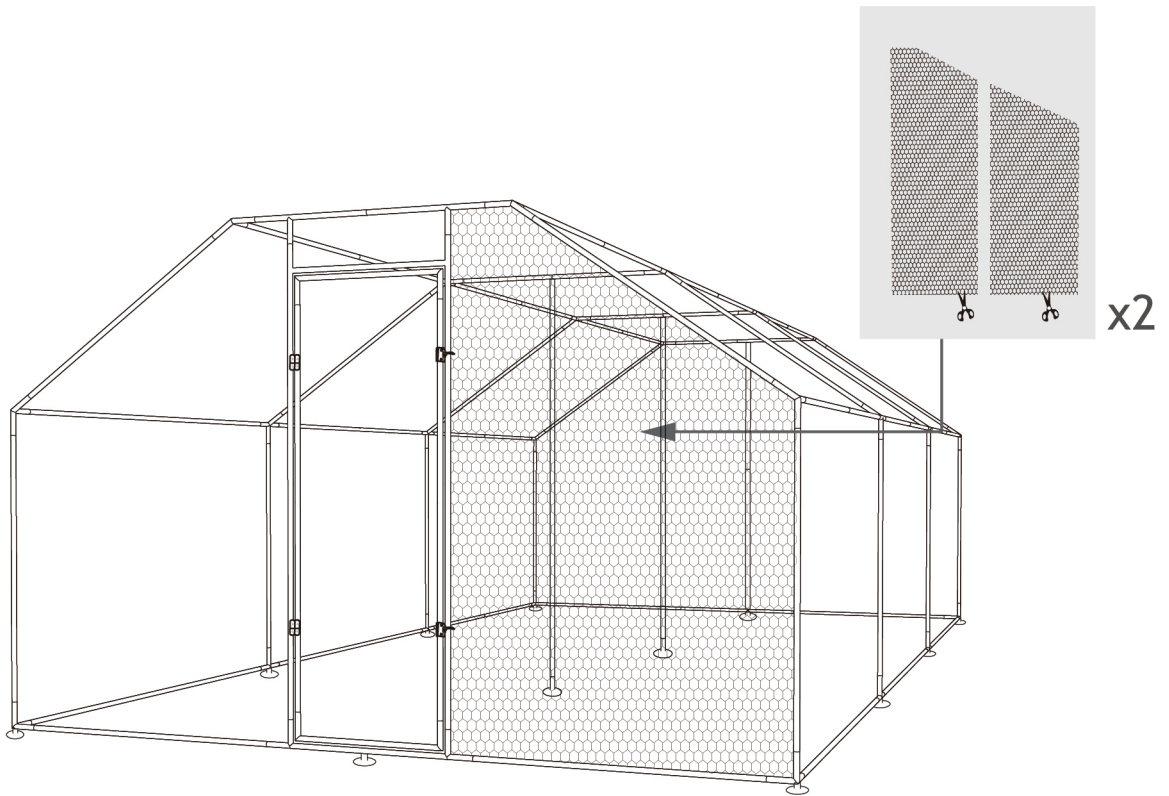




7

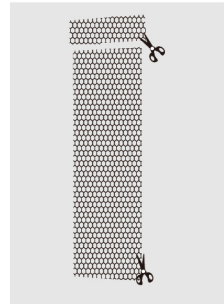
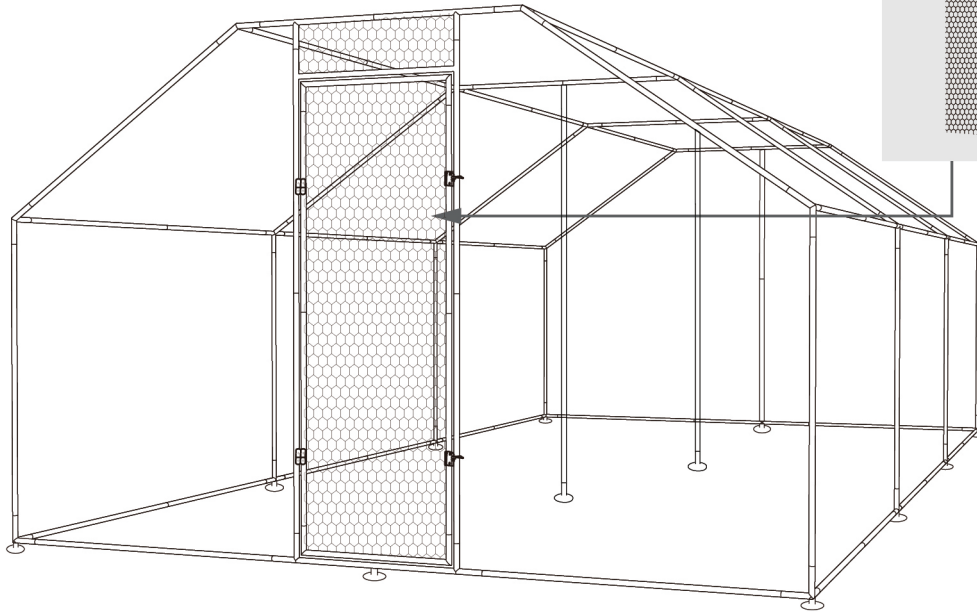


8





9



x1

10

