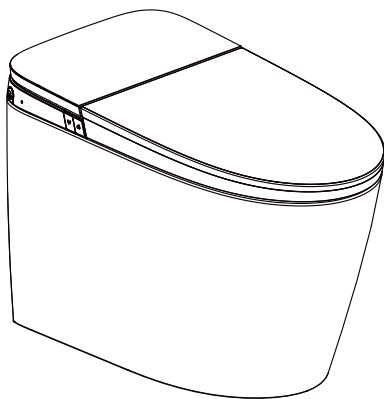



Installation Guide

T193A SERIES



Smart Bidet Toilet

- 
- ※ Please read this manual thoroughly before using the product.
 - ※ Please do not hesitate to contact us if you have any questions in the installation or usage.
 - ※ Please keep this manual available for future maintenance or reference.


Contents

| | |
|---|----|
| Safety precautions..... | 1 |
| Components..... | 4 |
| Specification..... | 5 |
| Functions introduction | 6 |
| Parts name | 7 |
| Product drawing | 8 |
| Power and water connection..... | 8 |
| Installation precaution..... | 9 |
| Product installation..... | 10 |
| Instructions for remote control installation..... | 14 |
| Remote control panel overview..... | 15 |
| Using instructions..... | 16 |
| Knob function description..... | 18 |
| Foam Agent Addition Method..... | 19 |
| Cleaning & maintenance..... | 20 |
| Measures for special cases..... | 21 |
| Trouble shooting..... | 23 |
| Maintenance service sheet..... | 24 |



Safety Precautions

To prevent damage to the unit and possible injury to users, please follow the safety warnings. Please be sure to carefully read through the user's manual before installation. Keep the user's manual after installation to refer to for troubleshooting advice.

Symbols And Meanings

| | |
|---|---------------------------------|
|  WARNING | Could result in serious injury. |
|---|---------------------------------|

The following symbols are used to indicate important safety precautions when using the product.

| | |
|---|-------------------------------|
|  | Prohibited. |
|  | Pay close attention; caution. |



WARNING

Do not use if the product exhibits the following issues: abnormal heat, smoke, anomalous sounds or odors, leakage, breakage, damage, or if the toilet pan is blocked. Continued usage may cause electric shock, personal injury, fire hazards, or water leakage into your bathroom.

Using oil, gasoline, putty-powder, nylon brush, or any other non-neutral detergent to clean plastic parts, such as the toilet seat cover, is strictly prohibited. Failure to comply may result in chemical reaction or leakage, product damage and personal injury.

The following are strictly prohibited as it may result in electric shock or fire hazard: Loosening an electric outlet, removing or inserting electric plug using wet hands, touching electric plug during thunder and lightning.

Do not use other electrical resources that exceed the outlet's load capacity or overload electric outlets.

Detergent, water, wash detergent or urine is not allowed to spot into body and electric outlet, as it might trigger electric shock or firing.

Prevent accidents! Do not allow children to stand on bidet seat or cover and refrain from placing heavy items on them.



Prohibited

Do not disassemble or repair this product yourself. Please seek the services of a professional repair person for any necessary maintenance or repairs. Attempting DIY repairs may cause severe damage to the product and all warranties will be voided.

Protect against electrical hazards- Do not randomly damage the electric plug and electric line. If you notice any damage, refrain from using or attempting to replace them yourself. Professional assistance is essential, as improper handling may result in short-circuits, electric shock, or fire hazards.

If the power cord is not long enough to reach your intended location, do not use an extension cord.

Stove or lit cigarettes must never be placed next to the bidet and cigarettes butts are never to be disposed into the bidet.

Do not block the air openings of the product. Keep the air openings free of lint, hair, and similar obstructions.

Do not use the bidet while bathing or showering as it can lead to electrical malfunctions and pose a risk of electric shock.

In bathrooms, please install air exchange equipment to maintain proper ventilation and dryness. This product is electrical and should not be installed in areas prone to high moisture levels or direct water exposure, as doing so may result in electric shock or fire hazards.



WARNING

Before cleaning, disconnect all electric power supply. Do not use water for direct cleaning of this product, as doing so may result in electric shock or fire hazards.

Do not expose the bidet directly to the sun or place under skylight. Direct sunlight may cause color-fading and surface damage due to temperature instability.

Do not use industrial water, wastewater, seawater, reclaimed water, or any other sewage as the water source, as it may lead to skin inflammation and other health issues.

Individuals (including children) with physical, perceptual, learning disabilities or limited experience and common sense must use the product under the guidance or supervision of someone else, as failure to do so may result in electric shock, injury, or fire.

Ensure the electric wiring plug is a waterproof plug. The assembly location of the electric plug must be at a height of over 0.5m (19.7 inches) above the floor and positioned away from the shower and bathtub to prevent the risk of electrical shock.

When installing this product, replace old hose with new ones to maintain the integrity and safety of the product's installation.

The grounding wire of this product must conform to the specified construction mode, and the three-level grounding structure must be properly grounded. Failure to adhere to these grounding requirements will result in the prohibition of using this product. integrity and safety of the product's installation.



Caution

This product is for use with a nominal 120v circuit and a GFCI receptacle is required. Do not use with an ungrounded outlet.

For the installation of this product in the same room, it is essential to have a water inlet angle valve switch within easy reach. This valve serves as an emergency shut-off, allowing you to swiftly cut off the water supply to the product without requiring any tools. Neglecting this crucial step may lead to unforeseen product malfunctions, resulting in potential inconveniences or losses for the user.

If you haven't used this product for an extended period, follow these steps to ensure its proper operation and your safety:

- 1) Turn off the water supply by closing the angle valve.
- 2) Press the water release button to drain the water from the ceramic reservoir.
- 3) Turn off power.

When using the product again, run a cleaning cycle to prevent water quality issues and promote hygiene.

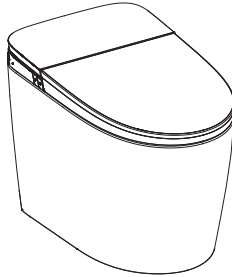
During periods of freezing temperatures (when the outside air temperature falls below 0°C), it's important to take the following precautions to avoid potential water leakage and ensure the proper operation of the bidet:

- 1) Close the water inlet valve to prevent freezing-related issues such as water leakage from external filters and accessories.
- 2) Drain any remaining water in the system.

If you encounter frozen pipes, raise the room temperature to allow the pipes to thaw naturally. Wait for normal pipe conditions before using the bidet. Using the product with frozen pipes may disrupt its proper functionality and cause damage to the product.

Components

SMART TOILET



REMOTE CONTROL



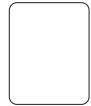
REMOTE CONTROL HOLDER



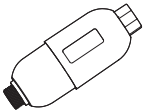
REMOTE EXPANSION SCREW GROUP (EACH 2pcs)



DOUBLE-FACED ADHESIVE TAPE



FILTER



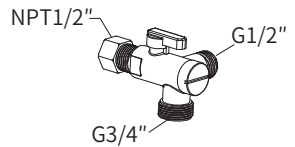
FUNNEL



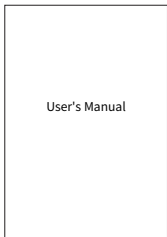
SEALING RING



INLET VALVE

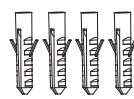
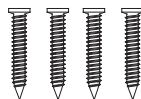
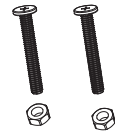
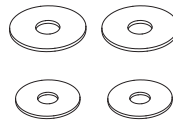
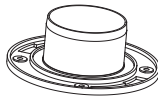


USER'S MANUAL



FLANGE INSTALLATION ACCESSORY GROUP

FLANGE



Specifications

| | | | | | |
|--------------------------|--|--------------------------|--|------------------|-----------------------------|
| Rated voltage | | 100-130V~ 50/60Hz | | | |
| Power cord length | | About 0.9m (35in) | | | |
| Cleaning | Water volume | Rear wash | About 0.5L (0.13 gal)-0.7L (0.18 gal) /min (water pressure 0.2MPa, 3 levels adjustment) | | |
| | | Front wash | | | |
| | Swing | | Oscillating cleaning forward and backward | | |
| | Massage | | interval cleaning | | |
| | Water volume /nozzle position | | 3 levels adjustment | | |
| | Water temperature range | | About 68°F-107°F (4 levels adjustment, including closed level) | | |
| | Safety device | | Temperature limit circuit, thermostat, thermal fuse | | |
| Drying | Warm wind temperature | | About 89°F-134°F (4 levels adjustment, including closed level) | | |
| | Safety device | | Bimetallic thermostat, thermal fuse | | |
| Seat | Surface temperature | | 4 levels adjustment(including closed level), room temperature - 107°F | | |
| | Safety device | | Thermal fuse | | |
| Self-cleaning | Antibacterial seat/nozzle | | Antibacterial material/stainless steel nozzle | | |
| | Automatic nozzle cleaning | | Self-cleaning | | |
| | Pre-wetting | | Spray a circle of water after sitting | | |
| | Sterilization | | Nozzle/Ceramic | | |
| Deodorization method | Activated carbon deodorant | Auto open/close lid/seat | Remote control, foot sensing, Automatic induction | | |
| Toilet | Flush consumption | | 1.27gpf (4.8Lpf) | | |
| | Flushing mode | | Siphon jet | | |
| | Rough-in | | 305mm (12.0 in) | | |
| Rated power | 1100W | Maximum power | 1600W | Waterproof level | IPX4 |
| Water supply temperature | 39°F-95°F | Ambient temperature | 37°F-104°F | Net weight | About 38 kg (about 83.8 lb) |
| Dimension | About 687 * 389 * 453 mm (About 27 * 15.3 * 17.8 in) | Water supply pressure | Dynamic pressure 160 kpa Flow rate 20 L/min | | |

※1:Rated power: Set the water volume, seat temperature and water temperature to the highest level under the conditions of ambient temperature 68°F±9°F, inlet water static pressure 0.18MPa±0.02MPa, and inlet water temperature 59°F±2°F. Turn on the front function, and test the average power within 60 seconds after the temperature of the outlet water stabilizes.

※2:Maximum power: Set the water volume, seat temperature, and water temperature to the highest level under the conditions of an ambient temperature of 73°F±4°F, an inlet static pressure of 0.18MPa±0.02MPa, and an inlet temperature of 41°F±2°F. Turn on the front function and continue to work stably at the maximum power for a cleaning cycle.

※3:Water consumption test: Test the water consumption separately under the water pressure 0.16Mpa and 0.55Mpa three times. Get six values in total, then divide the sum by six and the average is the nominal water consumption.

Functions Introduction

Washing function

| | |
|---------------------------|--|
| Rear wash | Cleaning posterior. |
| Front wash | Cleaning feminine body. |
| Spray position adjustment | Adjust nozzle position to expand cleaning scope. |
| Water flow adjustment | Adjust water flow rate. |
| Massage cleaning | The nozzle spray variable intensity water column to massage. |
| Oscillating cleaning | Oscillating back and forth to cleansing most area. |

Comfort functions

| | |
|-----------------------------------|---|
| Seat heated | Heat seat and keep temperature. |
| Drying Strong | Warm wind to dry the body parts with variable air speed. |
| Temperature adjustment | Adjust temperature of water, seat or drying. |
| Deodorization | Auto-deodorize after seated. |
| Seat sensor | Functions effective after seated. |
| Lid open/close | User can open or close the lid by remote control or foot sensing. The lid will be automatically close after about 1.5 mins. |
| Seat open/close | After toilet lid open, user can open or close the seat by remote control or foot sensing. |
| LED | LED on or off by light. |
| Prevent the low temperature scald | To prevent scalding users, the seat temperature will decrease automatically after seated 15mins. |

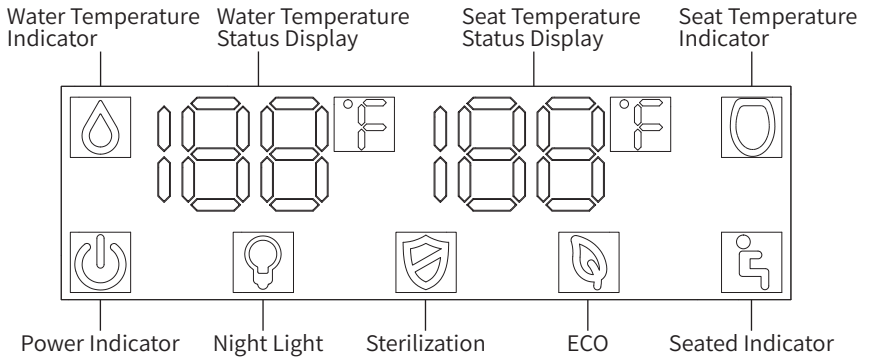
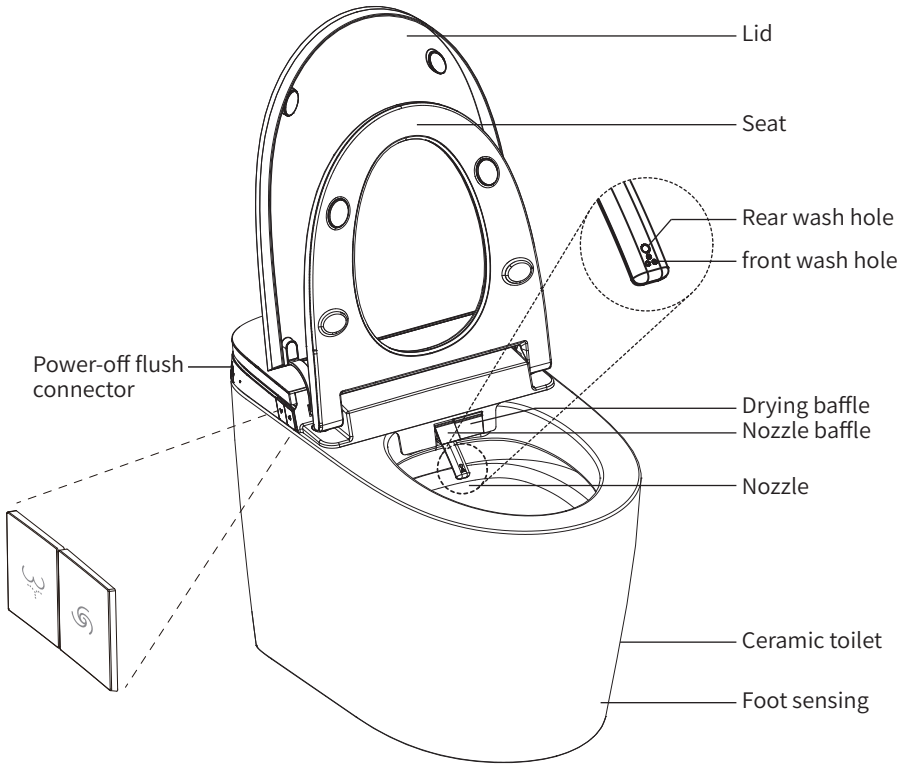
Cleaning function

| | |
|-----------------|--|
| Anti-bacteria | It's anti-bacterial treated on the parts which is directly touched by users, such as lid and seat. |
| Nozzle cleaning | Nozzle will be cleaned when it reach out or pull back. |
| Water emission | Drain the remain water in the toilet to make water cleaner. |
| Auto-flushing | Under opening status of lid, user can sit after leaving the seat for a while, the toilet will flush automatically. |

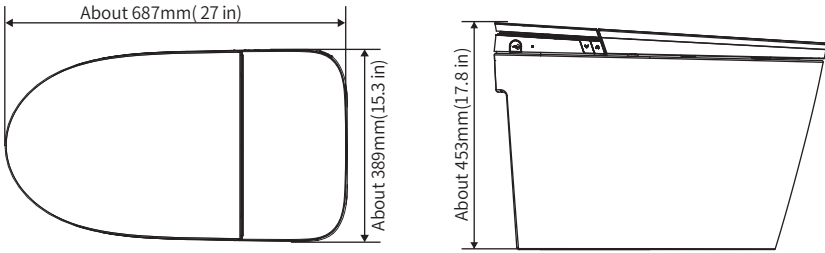
New functions

| | |
|-----------------------|--|
| Auto open/close | The lid will automatically open and close by movable object close to the toilet. |
| Nozzle sterilization | After leaving the seat, the nozzle will automatically perform a deep sterilization. |
| Power outage flushing | Connect to the USB TPYE-C with a power bank to achieve the power off flushing. |
| ECO | Close some functions and enter energy-saving mode. |
| Foot Sensor | Touch the sensing area with foot and then lid opens automatically. Touch the sensing area with foot and then seat opens automatically. Touch the sensing area with foot and then toilet flush automatically. |
| Pre-wetting | After sitting, a spray of water will be automatically sprayed inside the bowl to achieve anti-fouling effect. |
| Ambient lighting | Provide guidance in the dark at night. |
| Foam Shield | When user opens the cover then sits on the seat sensing position, it will automatically sense the human body and foams. |

Parts Name

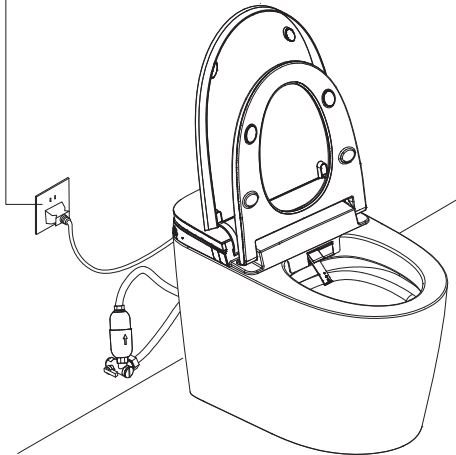


Product Drawings



Power And Water Connection Tip

- ⊕ Connect to grounded outlet ⚠ Caution electric shock!



- ※ If the power cord is not long enough, please do not use a extension cord.
- ※ Only for reference. Bathroom sizes and configurations may vary.

Installation Precaution

- (1) Don't install our product in the room with more than 90%RH humidity (relative humidity).
It is suggested to separate dry space from moist one, such as installing shower rooms or shower curtains.
- (2) Only the specified power supply can be used. (Other power sources may cause product failure or damage).
- (3) Please do not supply water or power before finishing installation.
- (4) Please use wires and waterproof sockets suitable for the power of this product.
- (5) Please install the waterproof socket at a suitable height on the wall.
- (6) The water-supplying pressure should be $1.5\text{kgf/cm}^2 \sim 7.5\text{kgf/cm}^2$ ($0.15\text{MPa} \sim 0.75\text{MPa}$).
The toilet cannot reach full cleaning functionality if the water pressure cannot reach 0.15MPa .
- (7) The water-supplying temperature should be $39.2^\circ\text{F} \sim 95^\circ\text{F}$.

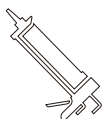
Notice:

Please remove the dirty water from the pipe before installation. Residual sediment and other debris may clog the pipeline, which may cause damage to the bidet toilet.

Recommended Tools



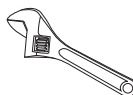
Percussion Drill



Glue gun



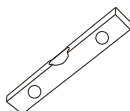
Tape



Adjustable Wrench



Pliers



Gradienter



Steel saw



Knife



Screwdriver

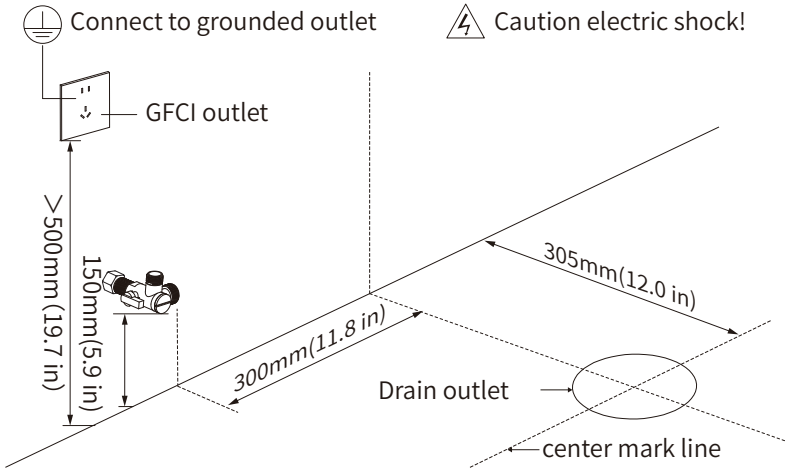


pencil

Product Installation

1. Install the water inlet valve

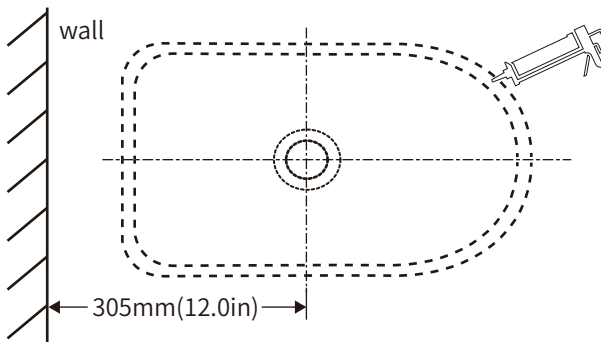
Clean the ground and dry the water before installation. Mark the central lines of the draining outlet, and install the inlet valve on the wall.



2. Mark the curve of ceramics

Align the drain hole of ceramic with the central line. Mark the curve of ceramics for later installation.

Glass cement application: Glue the outline with glass cement to install the toilet.

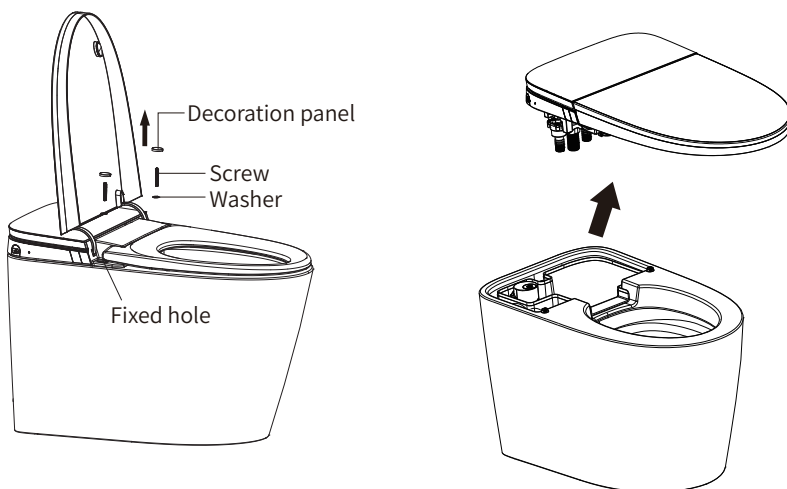


Product Installation

3.Toilet installation

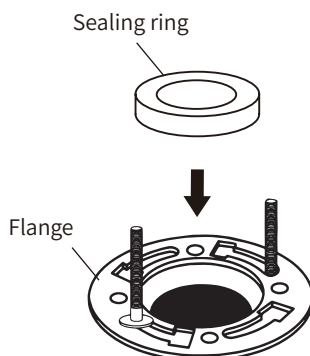
① Remove the front seat

Remove the fixing screws of the toilet; remove the connecting pipes and wires of the toilet, separate the front seat from the toilet.



② Sealing ring installation

Place the sealing ring on to the flange.



Product Installation

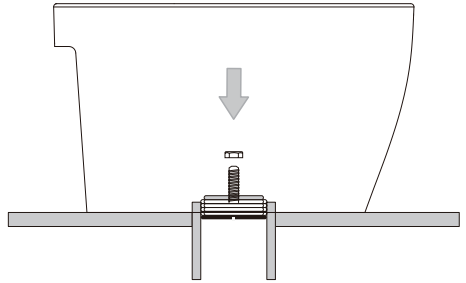
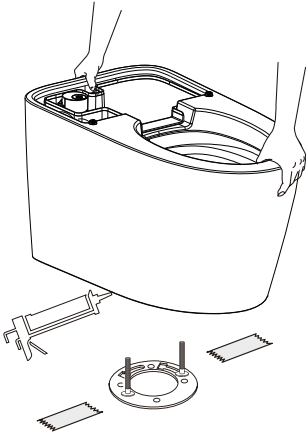
③ Ceramic installation

Glue the edge of toilet bottom with glass cement.

Line up the toilet base over the flange screws.

Place the toilet base and secure the flange bolts.

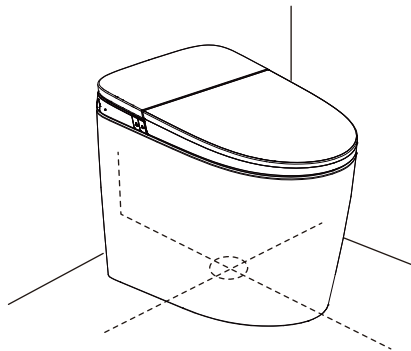
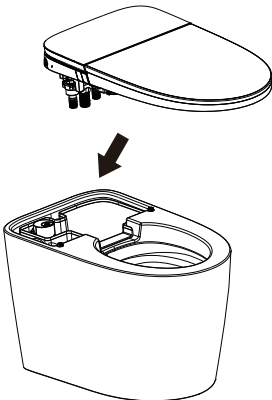
Glue the edge of toilet bottom with glass cement, place the toilet base along the outline and position the toilet base.



④ Front seat installation

Attach the connecting pipes and wires of the toilet, adjust the front seat to match the toilet, use the screws to fix the front seat on the toilet.

Pay attention to the tightness of the pipes connection.

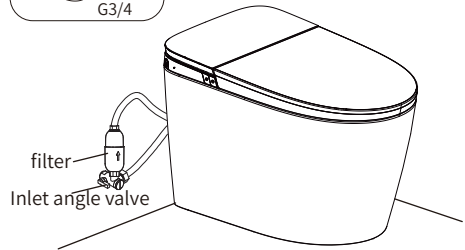
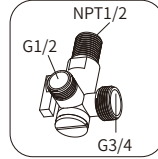
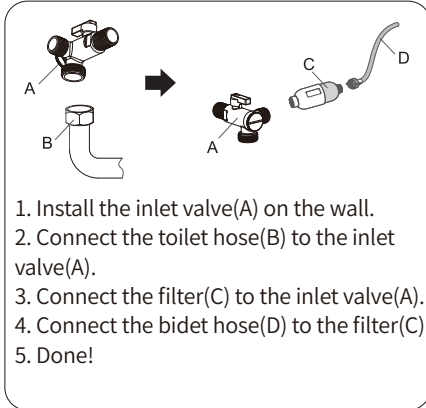


Product Installation

4. Connect to the water supply

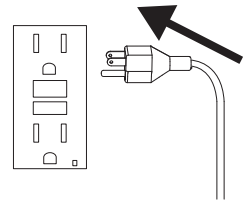
As shown in the following figures.

Notice: Do not use the smart toilet immediately after installation. Please use it after 48 hours.



5. Connect to power

Connect the electricity plug with protection unit. Press the power switch, the light turns on, power is on, and hear the buzzer calls.



6. Using the product for the first time (Check every function button of the remote control, manual flushing and side button function is normal.)

① Open the water supply valve, connect to the power plug.

Check that every function of product is normal, such as rear/front wash, dry, flow adjustment, water temp adjustment, massage cleaning, swing cleaning, LED, seat heated adjustment, etc.

② Rear/front wash performance test.

Press the seat sensor with hand to check if the nozzle works or not.

※ **Notes:** Open the water supply valve and connect to the power plug. When using the product for the first time, press the rear/front wash button in the remote control or knob. If the toilet doesn't work, it may be lack of water or seat sensor blocked.

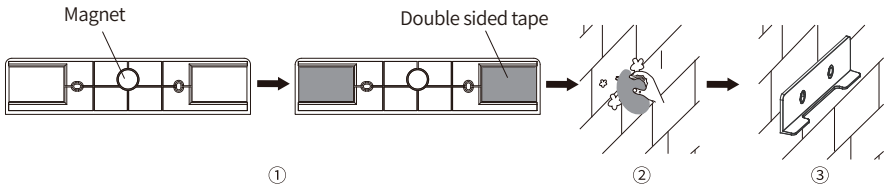
Instructions For Remote Control Installation

Method 1:

- ① Put the double sided tape on the remote control fixed seat.
- ② Clean dust, grease, water droplets on the walls and wipe them clean.
- ③ Press the remote control fixed seat with double sided tape on it. Press it evenly for 3 to 5 minutes.

Attach the remote control fixed seat to the wall.

Note: The method is applicable to glazed tiles, glass and smooth wall.

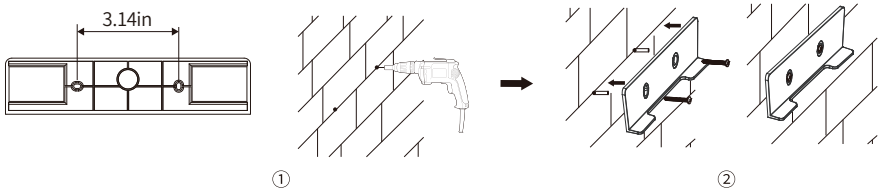


Method 2:

- ① Drill two holes on the wall with a distance of 3.14 in and a depth of 0.87 in by the drill with the diameter of 0.18 in.

Note: the position of the hole shall be satisfied for user to get the remote control conveniently when sitting on the seat.

- ② After installing, the expansion plug in the wall shall align the fixing hole of the remote control and then lock the bolt.



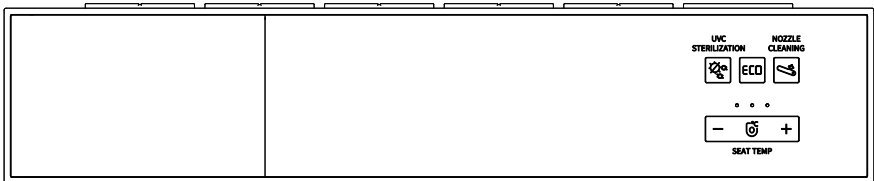
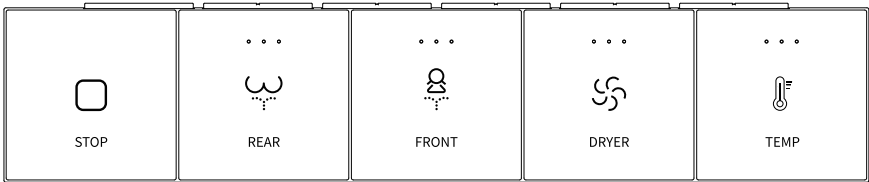
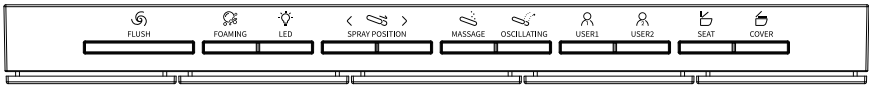
Put the remote control on the fixed base after installing the battery, and the remote control can automatically absorb on the fixed base.



NOTE:

- ※ Please place the remote control on the fixed place if not use. (To avoid the remote control falling down)
- ※ It may cause damage if the remote control falls down.
- ※ Please do not spill water on the remote control or drop into the water, or it may cause damage.

Remote Control Panel Overview



Remote control alignment: After the product is connected to the power supply, the remote control alignment operation can be carried out within 2 minute from the buzzer call.

※ At the same time, press the "FRONT" and "DRYER" buttons on the remote control. After 3 seconds, the "REAR/FRONT/DRYER/TEMP" four buttons flicker at the same time, press the "TEMP+/-" to increase. Select the required level, press the "stop" button, buzzer calls, then the code is successful, then the remote control can only control the product; buzzer calls two times, represents code failure;

Using Instructions

STOP

Press the "STOP" button to stop the current function.

REAR

Press the button, rear spray function turns on, each time you press the "rear" button to adjust the washing water volume accordingly, 3 levels can be adjusted, default setting is level 2. auto off after 2 mins or off by pressing the stop button. Function will stop if user leaves.

FRONT

Press the button, front spray function turns on, each time you press the "FRONT" button to adjust the washing water volume accordingly, 3 levels can be adjusted, default setting is level 2. Auto off after 2 mins or off by pressing the stop button. Function will stop if user leaves.

TEMP SETTING

Press "TEMP" to adjust temperature when rear / front / drying is started, 4 gears can be adjusted (including closed level).

SPRAY POSITION ADJUSTMENT

In rear/front wash mode, the nozzle position can be adjusted in three levels. Press "SPRAY POSITION >" once to move the nozzle forward by one level, until it reaches the highest position. Press "SPRAY POSITION <" once to move the nozzle backward by one level, until it reaches the lowest position.

SEAT TEMP ADJUSTMENT

Seat heated after sitting, heat preservation after reaching the set temp. The initial level is in the medium. Press plus button to increase the seat temperature, press minus button to decrease the seat temperature. Total 4 levels (including neutral), and corresponding indicator will on under different level.

MASSAGE

During rear/front wash mode, press the "MASSAGE" button, function will start after a beep. Interval massage mode: The nozzle sprays with varying pressure. Remark: The Massage cycle order is interval massage > regular cleaning.

OSCILLATING

During rear/front wash mode, press the "OSCILLATING" button, function will start after a beep. During swing function, the nozzle will oscillate back and forth. Press the "OSCILLATING" button again to stop swing function. Pressing the "STOP" button will stop all cleaning functions.

DRYER

Press "Dryer" to turn on drying. Each time you press "Dryer" can adjust one gear, 4 gears can be adjusted (including closed level, initial gear is 2). Press "STOP" to turn it off.

FOAMING

Short press "FOAMING" to open foam deodorizing, the foam will spray for about 10s; Long press "FOAMING" to open foam deodorant liquid extraction (Long press is only used when the toilet is initially installed or the foam agent is replaced, used in other cases will cause waste of foam agent).

Using Instructions

FLUSH

Press "flush" button to activate flushing.

NOZZLE CLEANING

Without sitting, press "NOZZLE CLEANING" for the nozzle self-cleaning feature that automatically move back and forth, with clean water flowing for approximately 20 seconds, before automatically retracting.

ECO

Press the button to enter energy saving mode.

Under energy saving mode, seat temperature is low(level 1) to achieve energy saving, the power indicator light and the energy-saving light on the display are illuminated, while all other lights remain off.

Remark:

※Energy saving mode will be suspended and goes to function mode if someone uses the seat in the middle of energy saving.

※Seat temperature returns to the level which is settled, the display lights up normally.

COVER

When cover open/close, press the button, cover automatically turn off/turn on.

SEAT

When seat open/close, press the button, seat automatically turn off/turn on.

※When lid close, press the button, the inductor sense that the lid is closing.

※The program automatically open the lid, and then opening the seat automatically.

LED

Control the night light by sensing the strength of ambient light through the photosensitive element.

Short press "LED" to turn off the photosensitive automatic sensing, long press "LED" to turn on.

Short press "LED" to turn off/on the constant night light.

PERSONAL SETTING USER1/PERSONAL SETTING USER 2

Under rear/front wash mode, you can set your preferred water temp, wand position, flow and warm dry temp. While cleaning is in progress, set your preferred water temp, flow, wand position and warm dry temp, and then press and hold (User1) or (User2) for 2 seconds or longer. After (User1)or (User2) is pressed, please push the button used for rear/front wash.

UVC STERILIZATION

Press "UVC TERMINATION" in the off-seat state to open the nozzle ultraviolet sterilization for 2 min; Stop sterilizing when seated or pressing the "UVC STERILIZATION" again.

COMBINATION FUNCTION KEYS

※STOP + COVER: Press and hold for 5 seconds to start or close the automatic lid closing function.

※STOP + SEAT: Long press for 5 seconds to start or close the seat automatic closing function.

※STOP + OSCILLATING: Long press for 5 seconds to start and close the microwave distance sensor.

※REAR + FRONT: Long press for 5 seconds to activate the Automatic nozzle cleaning.

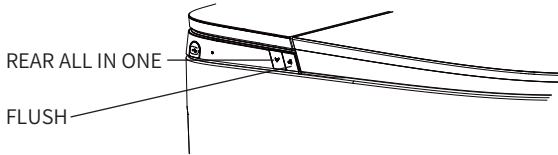
※REAR+ COVER: Long press for 5 seconds to adjust the sensing distance, one beep indicates Level 1, two beeps indicate Level 2, three beeps indicate Level 3.

STOP+DRYER: Long press for 5 seconds to turn on/off voice-control.

STOP+REAR: Long press for 5 seconds to turn on/off deodorant.

STOP+ FOAMING: Long press for 5 seconds to turn on/off foaming after seating.

Instruction



■ Sitting

- REAR ALL IN ONE: Shortly press the button to perform automatic rear wash, auto flush and dry after washing.
- FLUSH: Short press "FLUSH" button to activate flushing.

■ Foot sensing

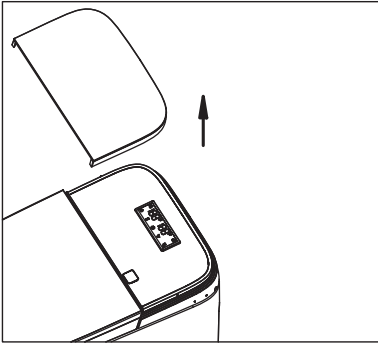
- When the lid and seat are closed, short touch the sensing area with foot and the lid automatically opens. When the lid and seat are closed, long touch the sensing area with foot and the lid and seat automatically open;
- When the lid open, seat closed, short touch the sensing area with foot and the seat automatically opens;
- When the lid and seat are open, short touch the sensing area with foot to realize the flushing function.

■ Auto open/close lid&seat

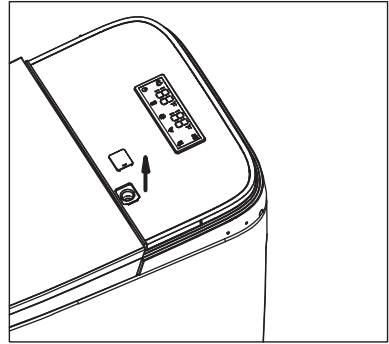
- When the lid and seat are closed, movable object close to the toilet, the lid automatically open and seat closed.
- When the lid or seat is open, sit down and then leave. Lid and seat will be closed automatically 90 seconds later.
- When the lid or seat is open, not sitting, lid and seat will be closed automatically 90 seconds later.

※Don't pour water into the voice receiving hole to prevent water droplets from blocking the voice channel and affecting the voice function.

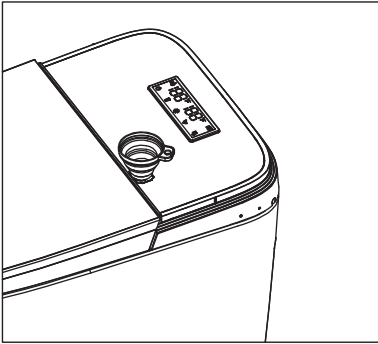
Foam Agent Addition Method



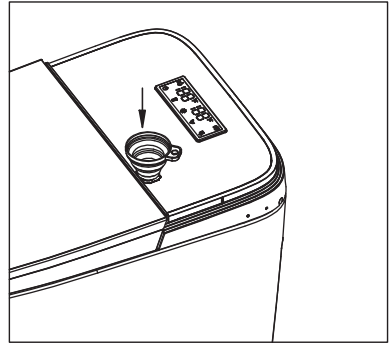
Remove the decorative cover assembly.



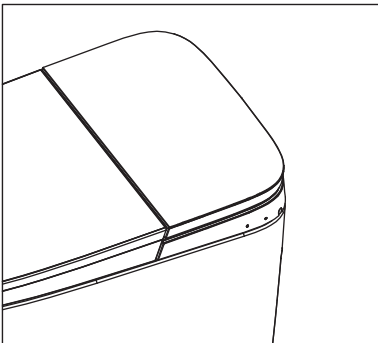
Unscrew the liquid filling cap.



Insert the funnel into the liquid filling port of the main body.



Add the designated foam agent through the funnel.



Reattach the liquid filling cap and decorative cover assembly to the main body.

- * The foam agent should be filled to the bottom of the liquid filling port to avoid leaks.
- * Only use the designated foam agent, as other agents may affect foaming performance or cause blockages in the internal piping, leading to malfunctions.

Cleaning

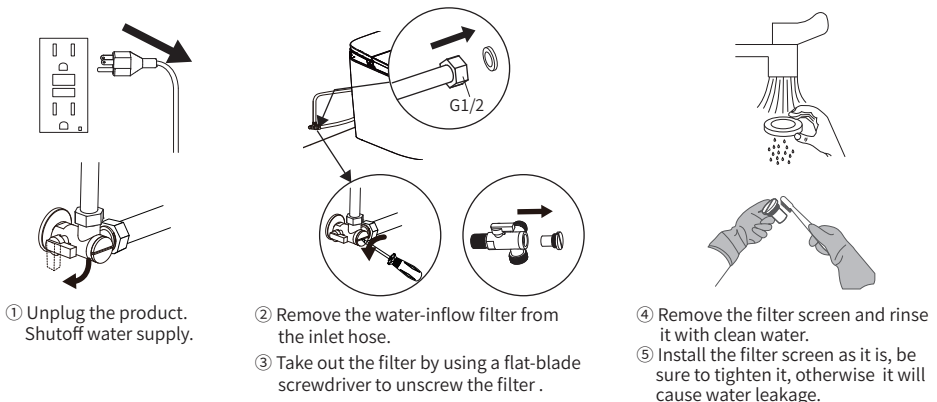
Maintenance and cleaning of lid and seat.

1. Disconnect the power, turn off tee valve.
2. In case of using a mixture of washing agent and water as well as any available solution for seat cleaning, use soft and wet sponge or cloth to clean the seat. Use a soft towel to make the seat dry, or let it dry naturally.
 - ※The product is an electric appliance. Be careful not to allow water to get inside or leave detergent in the gap between the top unit and the bowl unit. Doing so could damage or malfunction.
 - ※Avoid using materials that will damage the surface-clean the surface with a soft and wet sponge or cotton cloth, instead of materials that can damage the surface.
 - ※Corrosive chemicals or cosmetics (such as cleaners containing abrasive compounds and aftershave) should not come in contact with the seat as this will damage the surface.
3. Connect the power, turn off tee valve.

Maintenance and cleaning of the bowl.

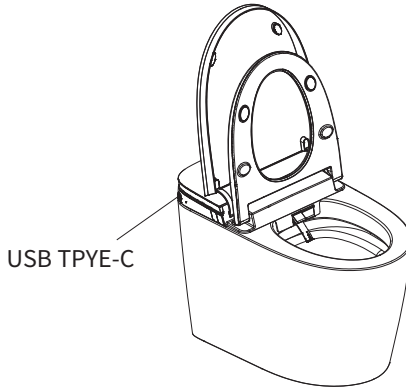
1. Disconnect the power.
2. The bowl unit can be cleaned with a toilet brush, toilet detergent or a similar tool.
 - ※Corrosive chemicals (such as cleaners containing abrasive compounds and strongly acidic cleaners or strong alkaline cleaners) should not wash the bowl as this will damage the surface of bowl.
 - ※Wire brush and abrasive nylon scrubbing brush should not wash the bowl as this will damage the surface of bowl.
 - ※Do not use any water repellent, stain-proofing cleaner or surface coating agent.
3. Connect the power.
 - ※Notice: If the bowl unit is clogged, use commercially available tools that are made for unclogging toilet.

Cleaning The Water Strainer Filter

- 
- ① Unplug the product. Shut off water supply.
 - ② Remove the water-inflow filter from the inlet hose.
 - ③ Take out the filter by using a flat-blade screwdriver to unscrew the filter.
 - ④ Remove the filter screen and rinse it with clean water.
 - ⑤ Install the filter screen as it is, be sure to tighten it, otherwise it will cause water leakage.

Measures For Special Cases

When the toilet can't be flushed automatically due to power interruption.



When the power is off, connect to the USB TPYE-C with a power bank to achieve the power off flushing.

When the toilet can't be flushed automatically due to water interruption.

- ① Flush away the sewage in the toilet by a special basin for taking in water.
- ② After water flushing, water level is lowered and water is added to avoid stink.

Notice:

When the toilet can't be flushed automatically due to water interruption. After long term idle condition, make sure to wash it for several times and the inner pipelines are cleaned before use.

Maintenance in case of long-term idle status

- ① Disconnect the power plug, and turn off the tee valve, unscrew inlet hose. Exhaust the water inside inlet hose.
- ② Press the release button of the product, exhaust the water inside the toilet.

Trouble Shooting

| Phenomenon | Reasons | Measures |
|---|---|---|
| The product out of work | Whether the power supply is plugged in. | Insert the plug or detect the power socket. |
| | Power failure. | Wait until the power is restored. |
| | The leakage protector is disconnected. | Insert the plug the power socket, press reset button on the plug. |
| <ul style="list-style-type: none"> ▶ Rear cleaning ▶ Front cleaning ▶ Dry The toilet does not flush even when the button is pressed. | The wand extends but water does not come out. | Has a water failure occurred? Press the “stop” button and wait until the water failure is over. |
| | The cleaning water pressure is weak. | Is the water supply valve close ? turn on the tee valve. |
| | | Is the water filter drain valve clogged with foreign matter? Clean or replace the filter. |
| | Low water temperature setting | Use the water temperature keys on the remote control to adjust the cleaning water temperature. |
| | The seat sensor may have difficulty detecting some sitting posture. | Sit back on the toilet seat. |
| The nozzle stops cleaning suddenly. | If the user moves too fast or leaves the seat, the seat sensor cannot detect in short time. | Sit back on the seat sensor detection position,then start the relevant button. |
| Low water pressure when rear/front wash. | Filtration screen of inlet angle valve may be blocked | Clean or replace the filter. |
| | The water-inflow hose may leakage | Check the hose and tighten it. |
| Deodorization effect is not obvious. | The seat sensor does not sense someone sitting (no deodorizing sound) | Sit back on the seat sensor detection position. |
| | Activated carbon filter block or spacer may be blocked. | Remove the deodorizing window to clean or replace the activated carbon filter. |
| Deodorant function continues to work after user leaves. | The deodorant function will be continue to work for 20 seconds in order to remove the residual odor after the use leaves. | It' s common phenomenon. |
| Water comes out unexpectedly from the wand. | Abnormal operation | Disconnect the power plug and wait about 1 minutes before inserting it again. |
| Water comes out unexpectedly from the inlet hose. | the inlet hose may damage | Replace the inlet hose. |
| The toilet seat does not get warm. | The seat sensor may have difficulty detecting some sitting postures. | Sit back on the toilet seat. |
| | The toilet seat temperature set a low level. | Use the remote control to adjust seat temperature. |

Trouble Shooting

| Phenomenon | Reasons | Measures |
|--|---|--|
| The dry temperature is not enough. | Lower dry temperature is set. | Use the remote control to adjust dry temperature. |
| The toilet does not flush when the button is pressed. | Water is not available from the water supply. | Use a bucket full of water to flush. |
| | The water supply valve is not fully open. | Check the tee valve. |
| Waste material does not flush down completely. | The water supply valve is not fully open. | Check the tee valve. |
| | The water filter is clogged. | Clean the filter. |
| | The water supply to the toilet may disrupted by other running water fixtures. | Cease using other fixtures and then flush the toilet. |
| | Flushing may be difficult due to the consistency of the waste material. | Flush the toilet again. If the bowl is not cleaned with a flushing remove the stains with a brush or similar instrument. |
| There is residue on the bowl unit surface. | Oil and other hard-to-see grime may stick to the bowl unit surface. | Clean the bowl with a non-abrasive toilet detergent. |
| The toilet does not flush when water pressure is normal. | Flushing valve failure. | Please professional maintenance personnel should be checked and maintained. |
| The remote control fail to control the toilet. | Lower battery | Replace with new batteries. |
| | Battery polarities are mounted reversely. | Reinstall properly. |
| | The remote control is too far from the toilet. | Get close to the toilet. |
| | The remote control transmitter or the top unit receiver may be blocked. | Remove obstructions,dirt,water droplets or any other blockages. |
| LED. | The indoor light is too bright. | Please turn off the indoor light and close the curtain. |
| The top unit is unstable. | There is clearance between the toilet seat cushion and the bowl. | It' s common phenomenon. |
| Water is leaking from the plumbing connections | nuts in a connection are loose. | Tighten them with a tool such as monkey wrench. |
| | The water leak does not stop. | Close the water supply valve and seek repair. |
| A strange sound tis emitted from the top unit. | when user sit on the toilet seat,the seat switch turns on.a click sound is heard. | It' s common phenomenon. |

※Notice:

If you are in trouble, please read the above troubleshooting and repair the product according to the instruction of the solution. If the problem is not in the common troubleshooting, please contact the professionals, dealers, or call the national unified service hotline to ask for help.

Please note that there will be no any notification if any changes to this product and also accessories. There may be differences between contents and material objects, please subject to the latter one.

Maintenance Service Sheet

| | | | |
|--|------|------------------------|--|
| Product | | Product code | |
| The selling store | | Purchase date | |
| Province | City | Dealer (signature) : | |
| Maintenance content | | | |
| <p>Free maintain regulation:</p> <p>1、Free maintenance is provided when you use it properly in accordance with instructions and under warranty.</p> <p>2、Please contact the dealer or the company if the fault occurs under warranty.</p> <p>3、The following situations is chargeable for maintenance under warranty:</p> <p>① Faults or damages caused by the improper operation, repair or reinstall.</p> <p>② Faults or damages caused by forced movement after the product is installed.</p> <p>③ Faults or damages caused by earthquakes, fires, floods, lightning strikes, corrosive liquids, abnormal voltages and other natural disasters.</p> <p>④ Faults or damages caused by other approaches which are not for family-use.</p> <p>⑤ Fail to provide the maintenance-service sheet.</p> <p>⑥ There is no detailed records or there are modified records on the maintenance-service sheet.</p> <p>4、This maintenance-service sheet is valid.</p> <p>5、This maintenance-service sheet is unrepeatable, please safe keep it.</p> <p>6、The customer can go to the local repair network or sent the products back to the company for free repair within three years from the purchase date.</p> | | | |
| Warranty period: within three years from the purchase date | | | |

- Due to the constant improvement about our products, we will keep the final interpretation of products change.
- If the products you bought exist differences from the instruction, please in kind prevail.



NOTE: This equipment has been tested and found to comply with the limits for a Class B digital device, pursuant to Part 15 of the FCC Rules. These limits are designed to provide reasonable protection against harmful interference in a residential installation. This equipment generates uses and can radiate radio frequency energy and, if not installed and used in accordance with the instructions, may cause harmful interference to radio communications.

However, there is no guarantee that interference will not occur in a particular installation. If this equipment does cause harmful interference to radio or television reception, which can be determined by turning the equipment off and on, the user is encouraged to try to correct the interference by one or more of the following measures:

- Reorient or relocate the receiving antenna.
- Increase the separation between the equipment and receiver.
- Connect the equipment into an outlet on a circuit different from that to which the receiver is connected.
- Consult the dealer or an experienced radio/TV technician for help.

