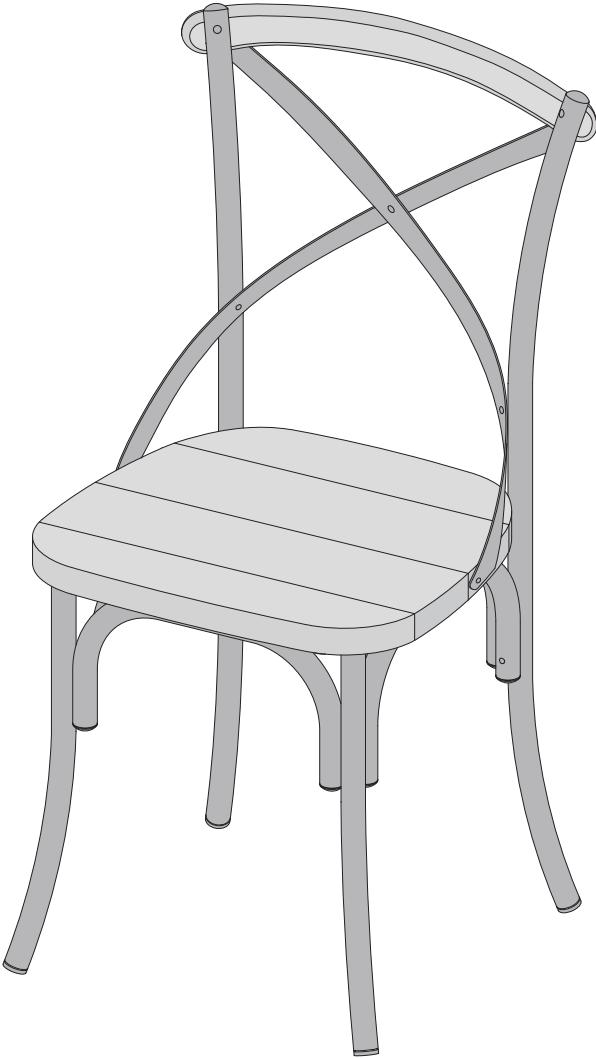
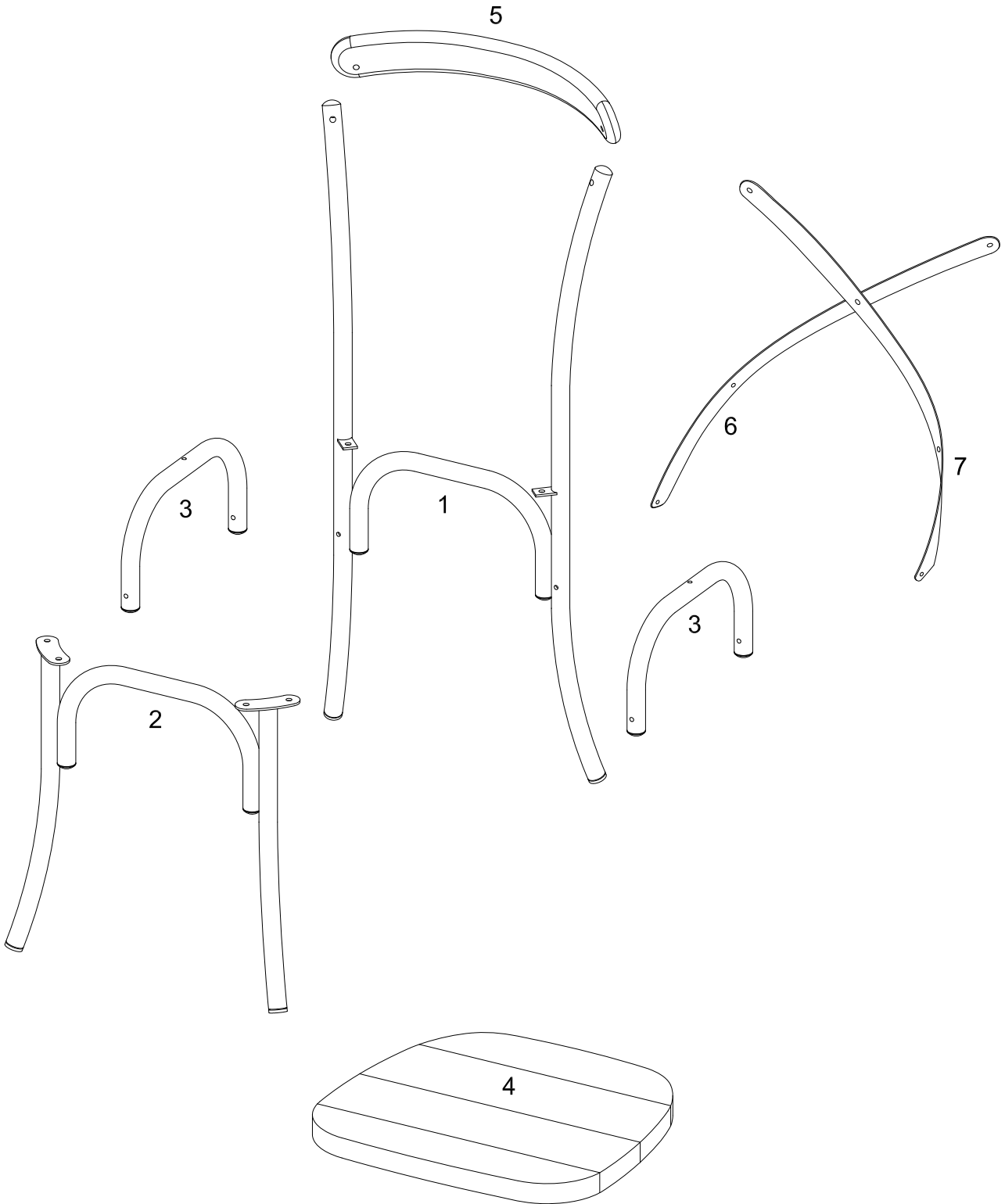










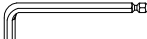

Assembly Instructions

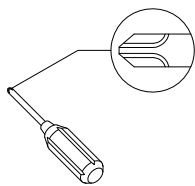


Parts List



Hardware List

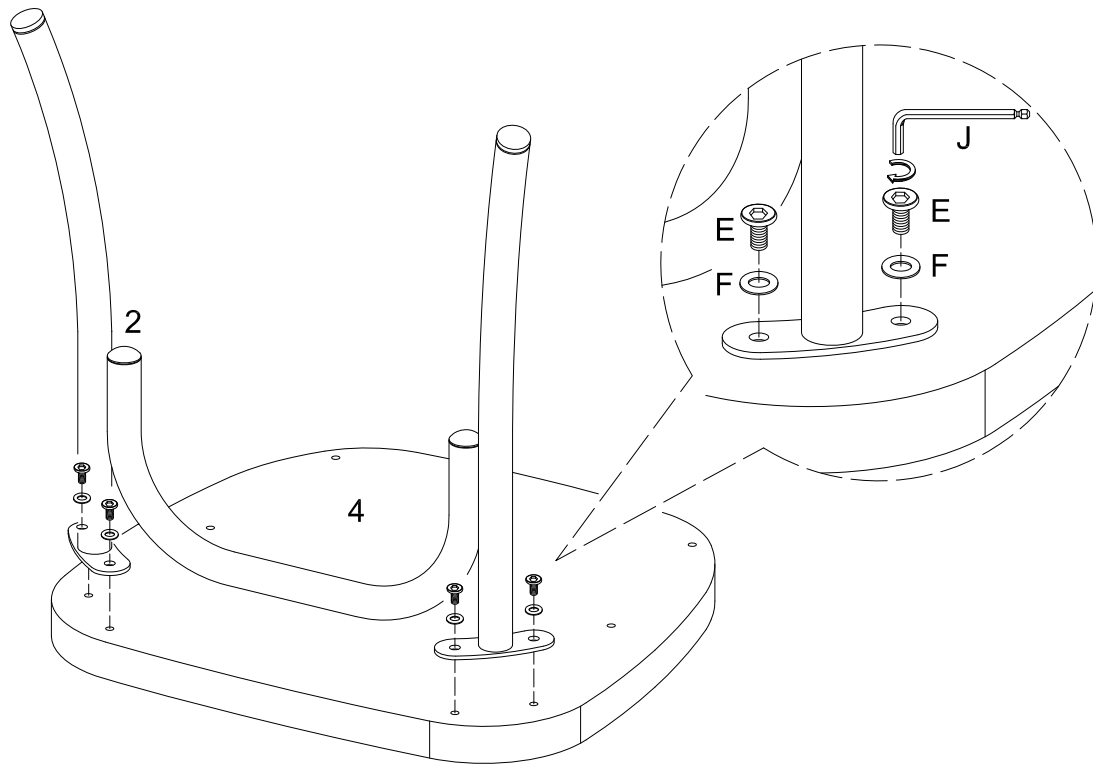
A		Ø1/4"*1-1/2"	Long boot	4 pcs
B		Ø1/4"*1-3/8"	medium boot	12 pcs
C		Ø1/4"*5/8"	Short boot	8 pcs
D		Ø1/4"*3/8"	Shortest boot	2 pcs
E		Ø1/4"*3/4"	Flat boot	12 pcs
F		Ø16mm	Washer	12 pcs
G			Nut	4 pcs
H			Nut	2 pcs
J		M4mm	Allen wrench	2 pcs
K			Wrench	1 pc



Philips head screwdriver required for assembly
(not included)

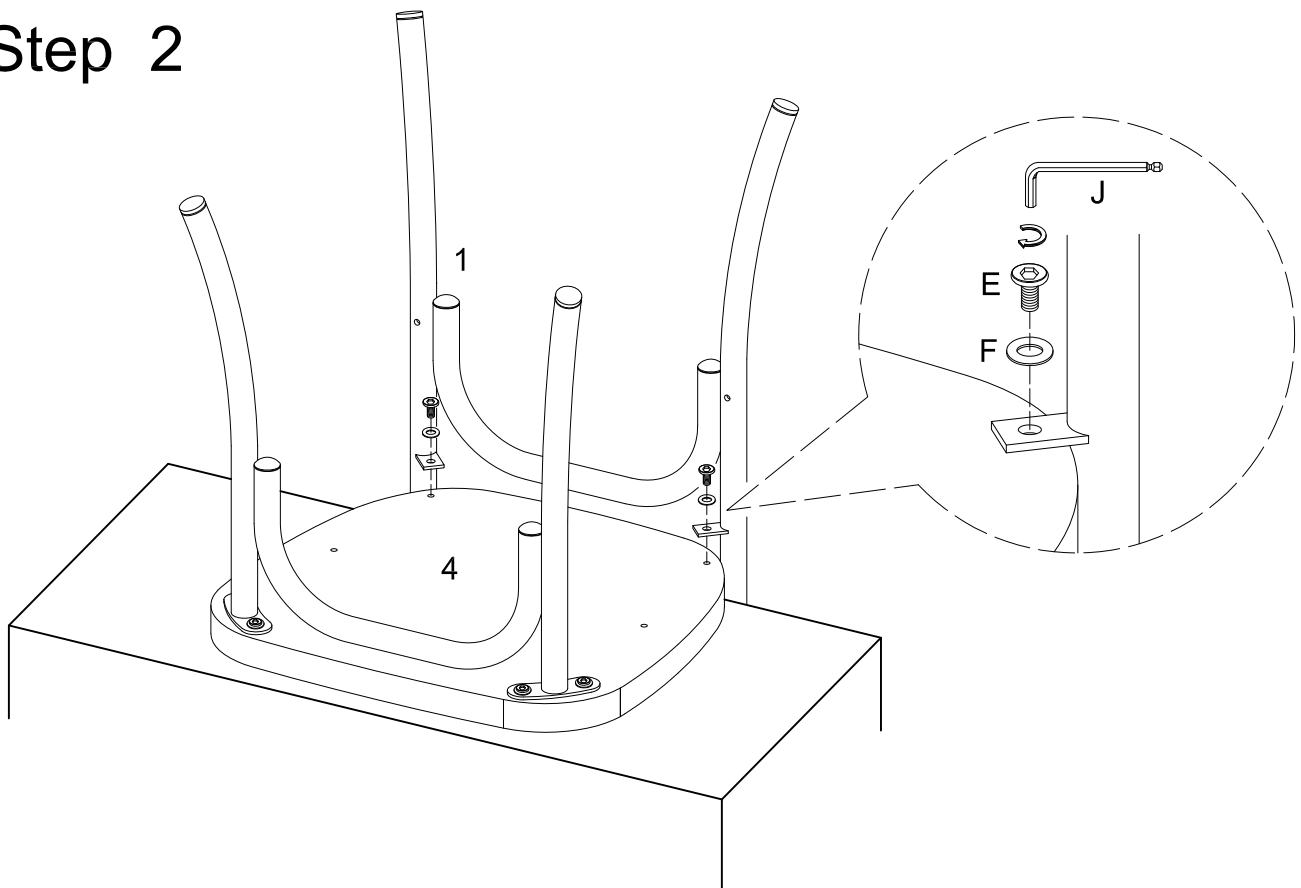
*The hardware quantities listed above are required for proper assembly.
Some extra hardware may also have been included.*

Step 1



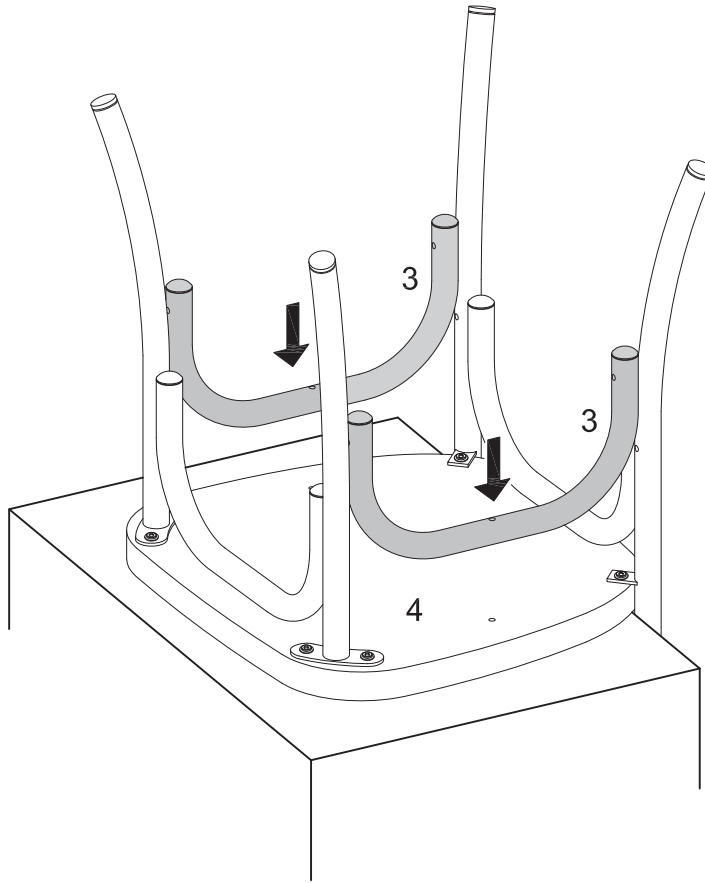
Attach front leg (2) to chair seat (4) using flat bolts (E) and washer (F). Tighten flat bolt (E) with wrench (J). Secure flat bolts (E) but not tighten completely until Step 4.

Step 2



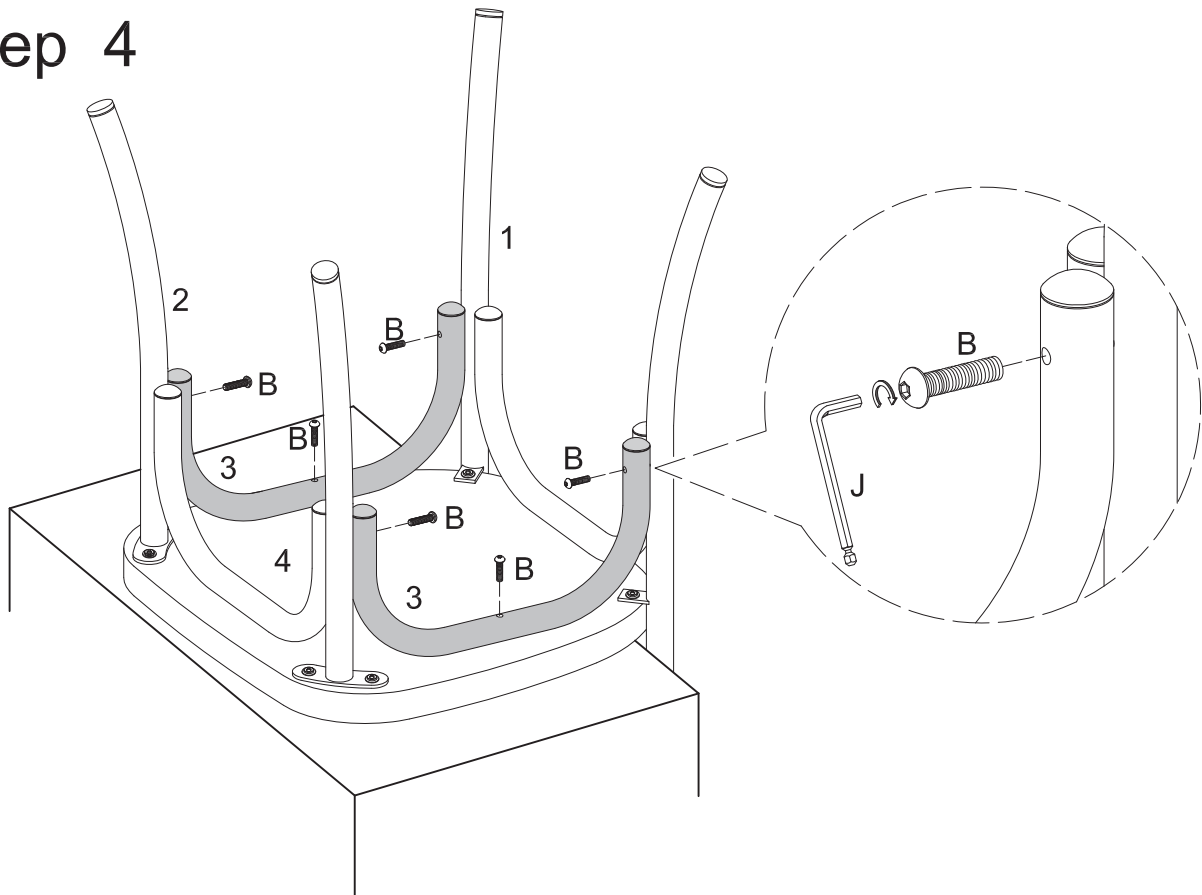
Attach back leg (1) to chair seat (4) using flat bolts (E) and washer (F). Tighten flat bolt (E) with wrench (J). Secure flat bolts (E) but not tighten completely until Step 4.

Step 3



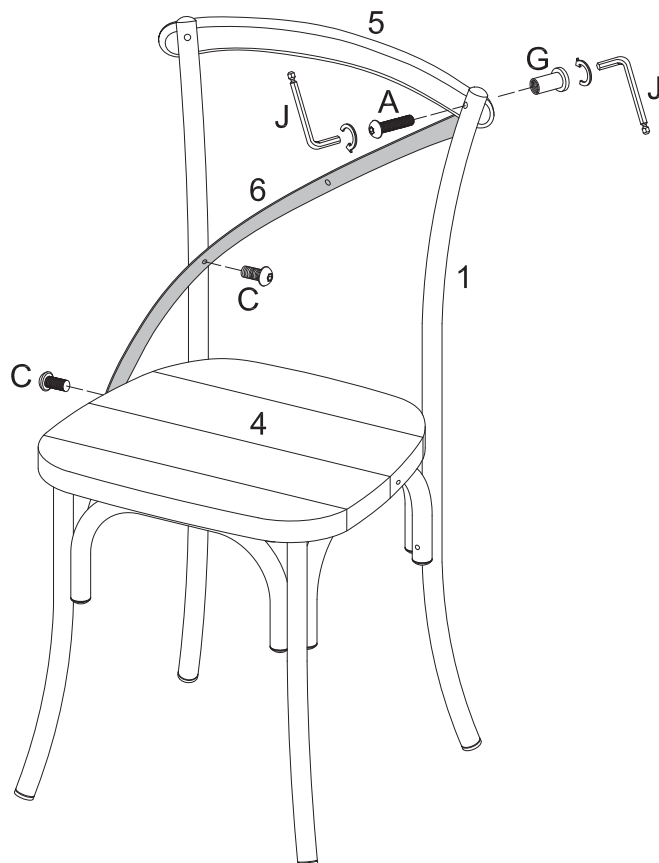
Assemble crossbars (3) to chair seat (4).

Step 4



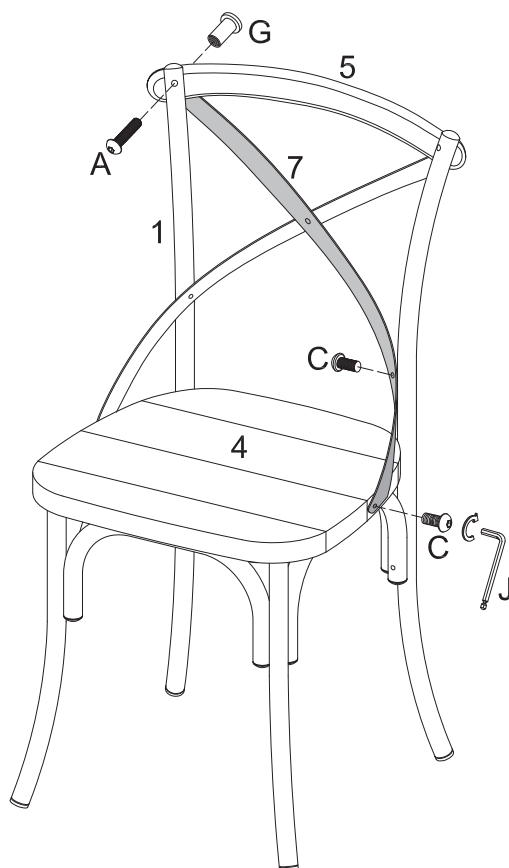
Attach crossbars (3) to chair seat (4) , front leg (2) and back leg (1) using medium bolts (B). Tighten medium bolts (B) from the previous steps firmly with wrench (J).

Step 5



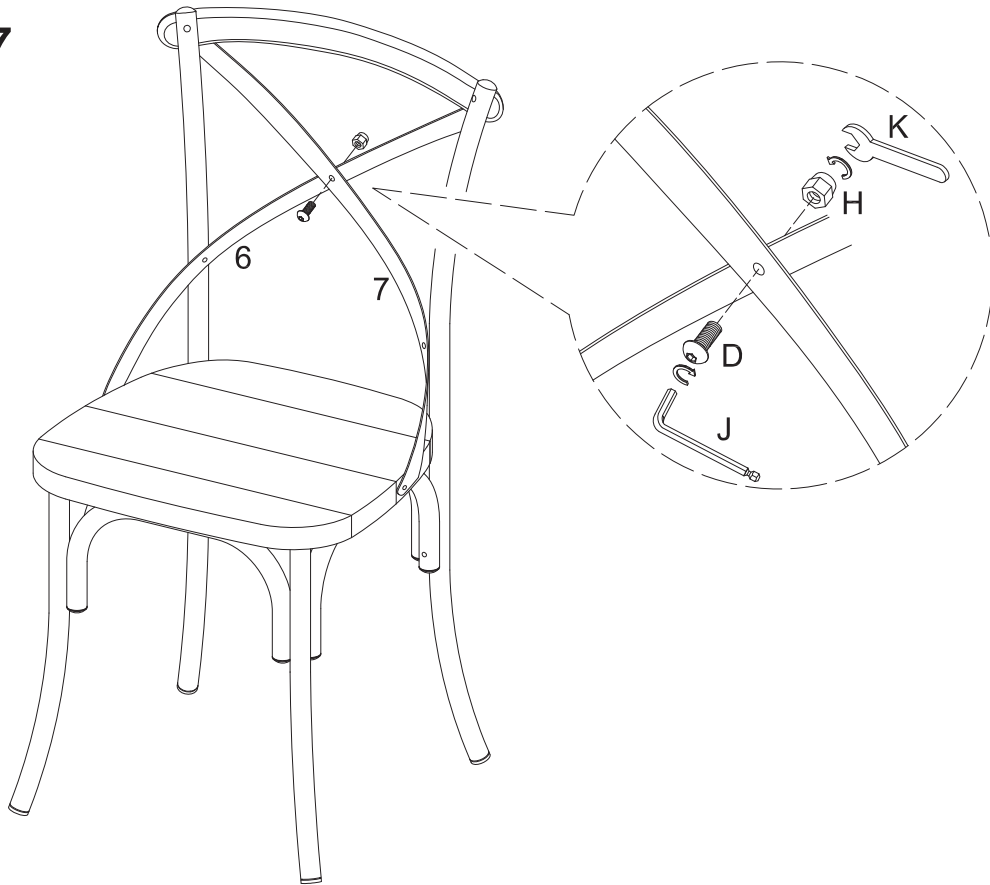
Attach right chair back (6) to back leg (1) and chair seat (4) using short bolts (C). Attach right back (6) to chair cap rail (5) and back leg (1) using longest bolt (A) and nut (G). Tighten all bolts using wrench (J) but not tighten completely until Step 7.

Step 6



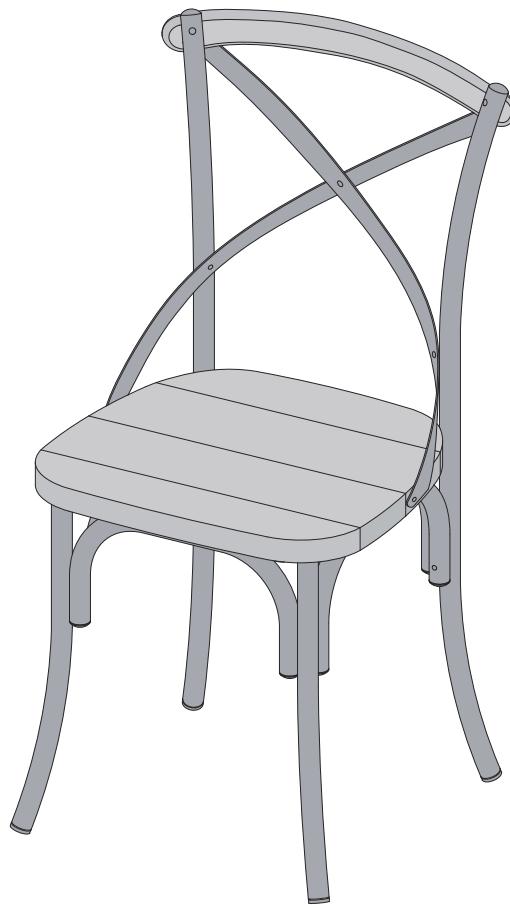
Attach left chair back (7) to back leg (1) and chair seat (4) using short bolts (C). Attach right back (7) to chair cap rail (5) and back leg (1) using longest bolt (A) and nut (G). Tighten all bolts using wrench (J) but not tighten completely until Step 7.

Step 7



Attach left chair back (7) and right back (6) using shortest boot (D) and nut (H). Tighten shortest boot (D) with wrench (J). Tighten nut (H) with wrench (K). Tighten longest bolts (A) and short bolt (C) from the previous steps firmly with wrench (J).

Step 8



Final Assembly