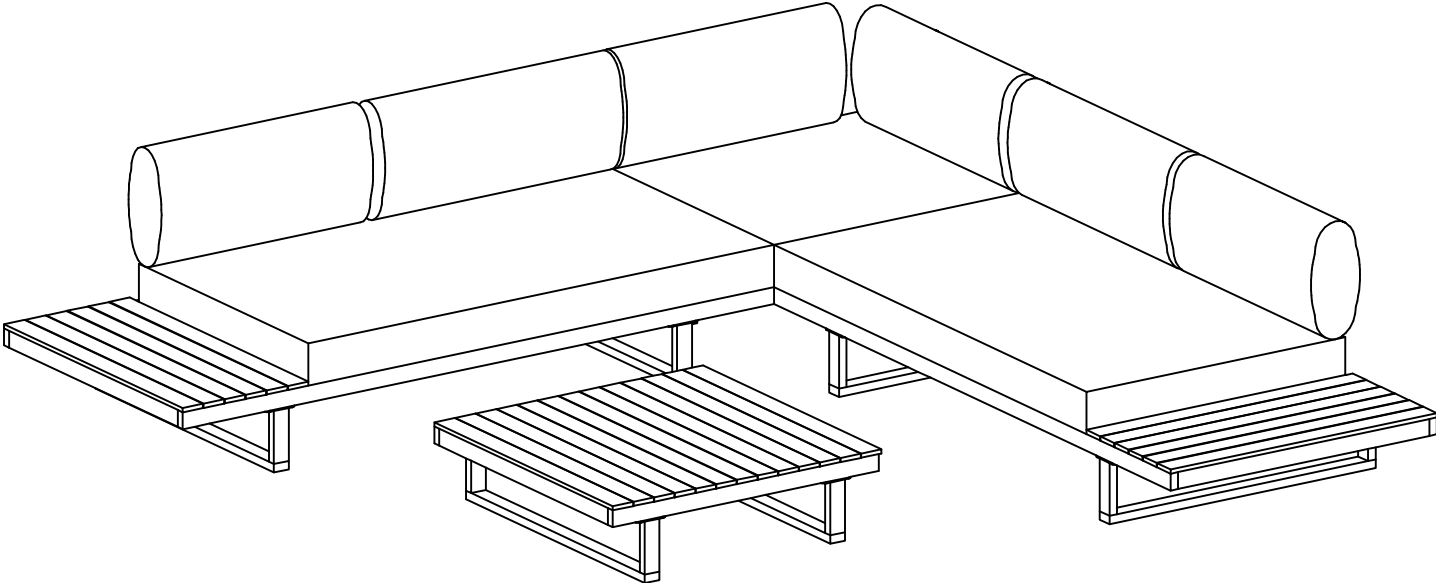


# Instruction Manual

**232cmx232cm Corner Sofa Set Natural Acacia  
with MarlGrey Cushions**



# CONTENTS

---

Safety and care advice	<b>1</b>
Components	<b>2</b>
Assembly instructions	<b>4</b>
Copyright	<b>11</b>

---

# ⚠ SAFETY AND CARE ADVICE ⚠

---

## PLEASE READ THESE INSTRUCTIONS CAREFULLY AND KEEP FOR FUTURE REFERENCE

- **Warning:** Please lift with care.
- Check you have all the components and tools listed on pages 2 and 3.
- Remove all fittings from the plastic bags and separate them into their groups.
- Keep children and animals away from the work area, small parts could choke if swallowed.
- Make sure you have enough space to lay out the parts before starting.
- Do not stand or put weight on the product, this could cause damage.
- Assemble the item as close to its final position (in the same room) as possible.

- Assemble on a soft level surface to avoid damaging the unit or your floor (use opened out unit carton).



- We do not recommend the use of power drill/drivers **for inserting screws**, as this could damage the unit. Only use hand screwdrivers.
- Dispose of all packaging carefully and responsibly.

## CARE AND MAINTENANCE

---

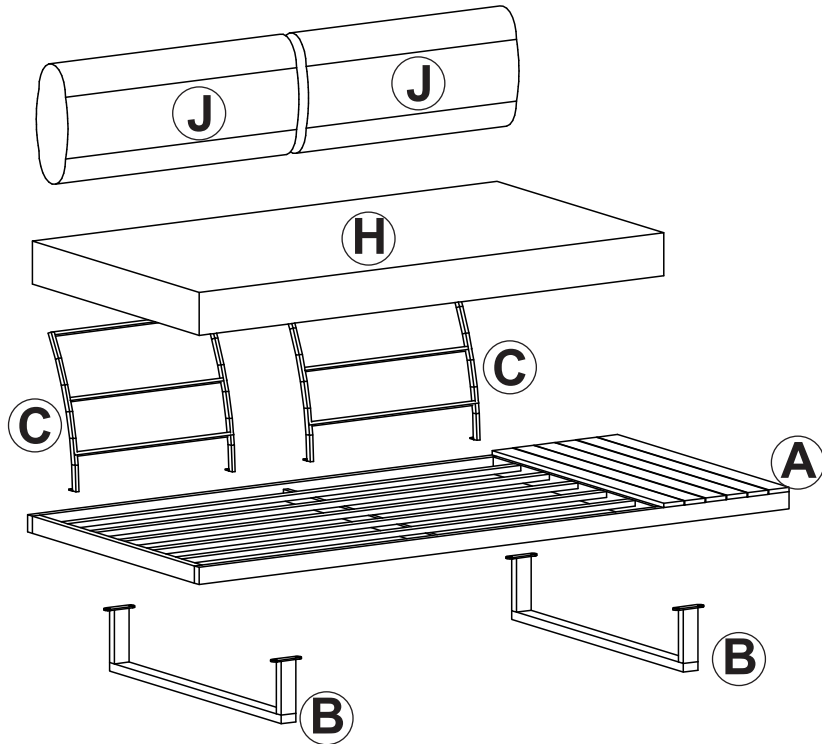
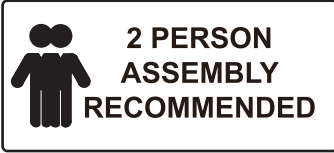
- Only clean using a damp cloth and mild detergent, do not use bleach or abrasive cleaners.
- From time to time check that there are no loose screws on this unit.

- This product should not be discarded with household waste. Take to your local authority waste disposal center.

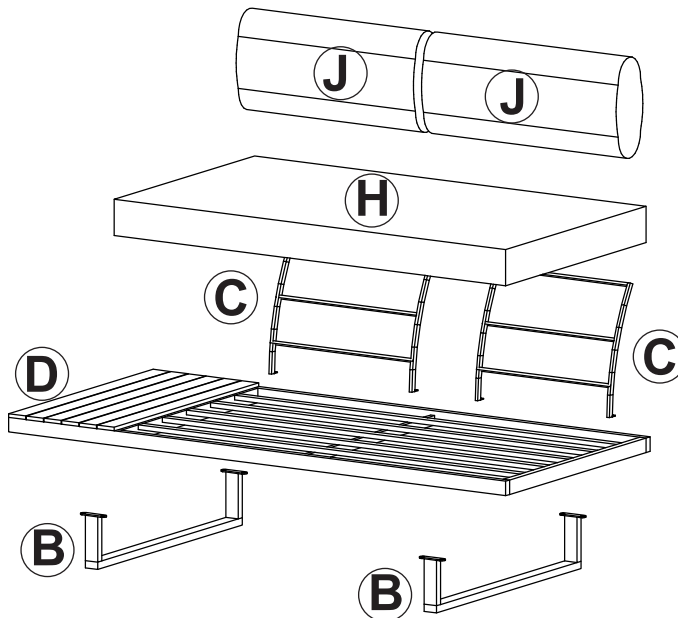
**Note** *If required the next page can be cut out and used as reference throughout the assembly. Keep this page with these instructions for future reference.*

# COMPONENTS

Please check you have all the panels listed below:



<b>A</b> Left seat panel	x1	<b>H</b> Bench cushion	x1
<b>B</b> Leg	x2	<b>J</b> Back pillow	x2
<b>C</b> Back panel	x2		

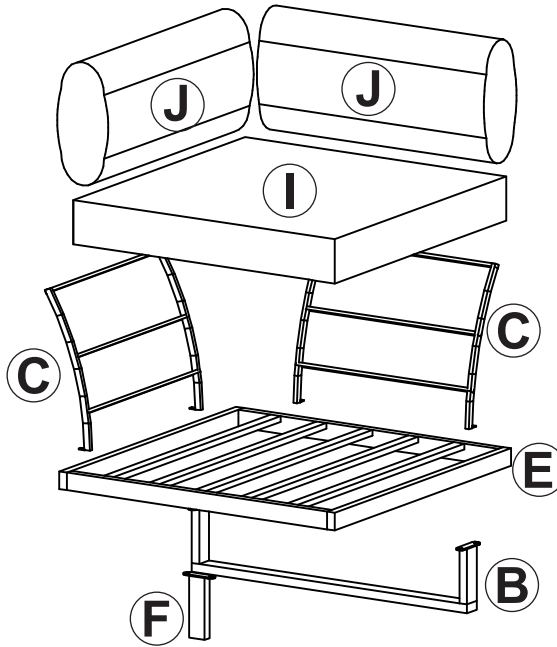
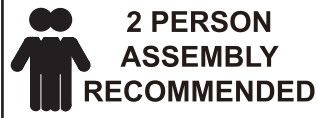


<b>D</b> Right seat panel	x1	<b>H</b> Bench cushion	x1
<b>B</b> Leg	x2	<b>J</b> Back pillow	x2
<b>C</b> Back panel	x2		

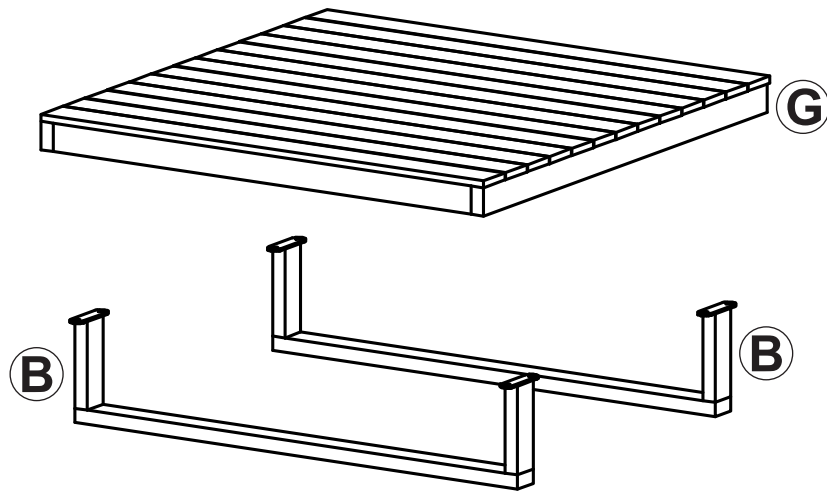


# COMPONENTS

Please check you have all the panels listed below:

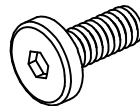


<b>E</b> Corner seat panel	x1	<b>F</b> Support leg	x1
<b>B</b> Leg	x1	<b>I</b> Corner cushion	x1
<b>C</b> Back panel	x2	<b>J</b> Back pillow	x2

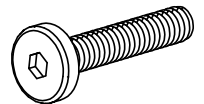


<b>G</b> Table top	x1	<b>B</b> Leg	x2
--------------------	----	--------------	----

1 Bolt 6x15 x42



3 Bolt 6x40 x14



2 Washer x56  
M6x16x1.0

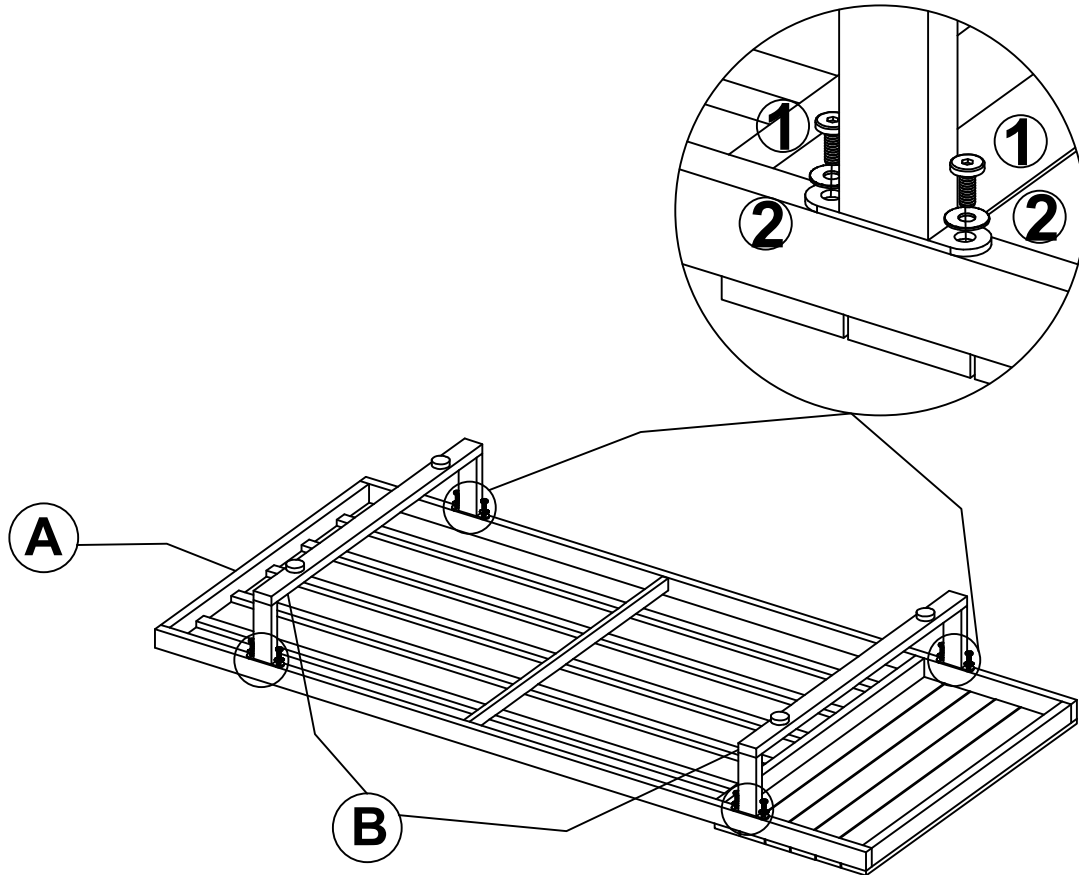


4 Allen key x2

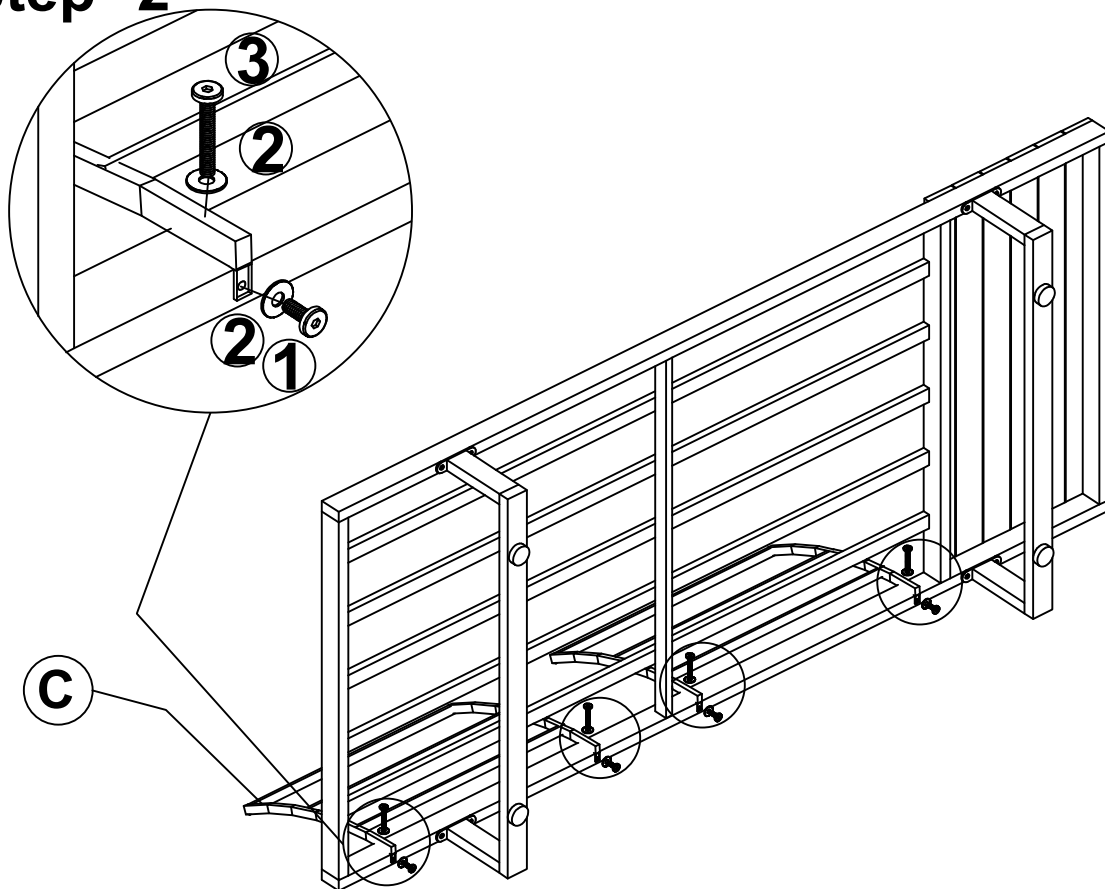


# ASSEMBLY INSTRUCTIONS

## Step 1

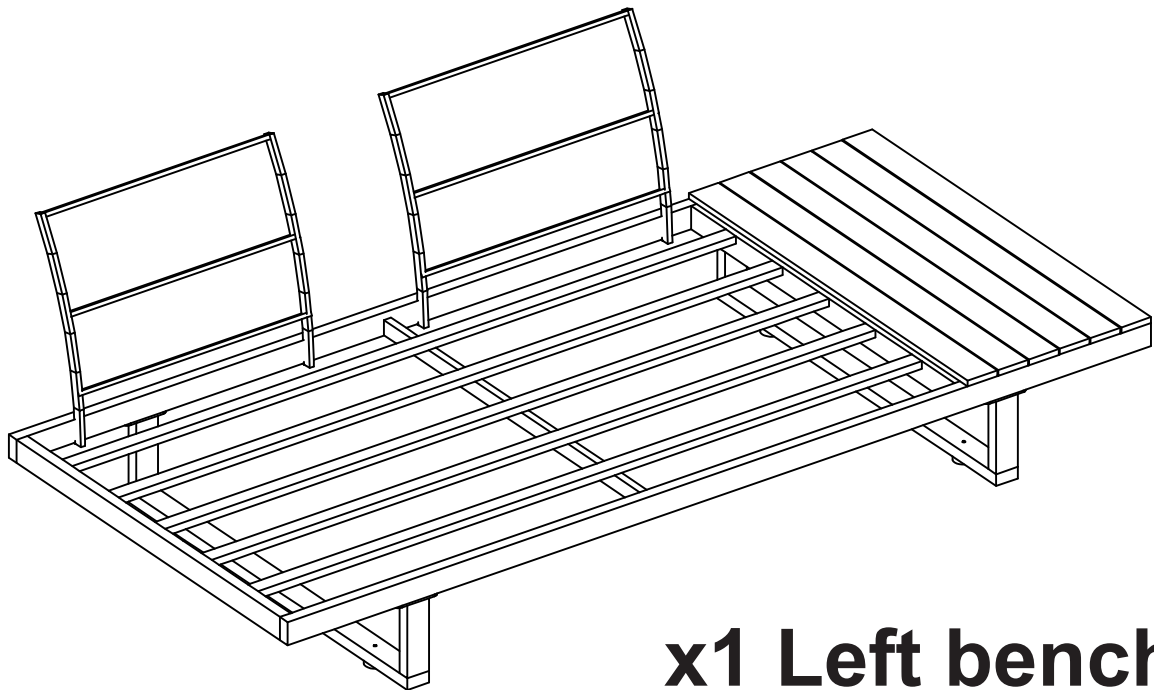


## Step 2

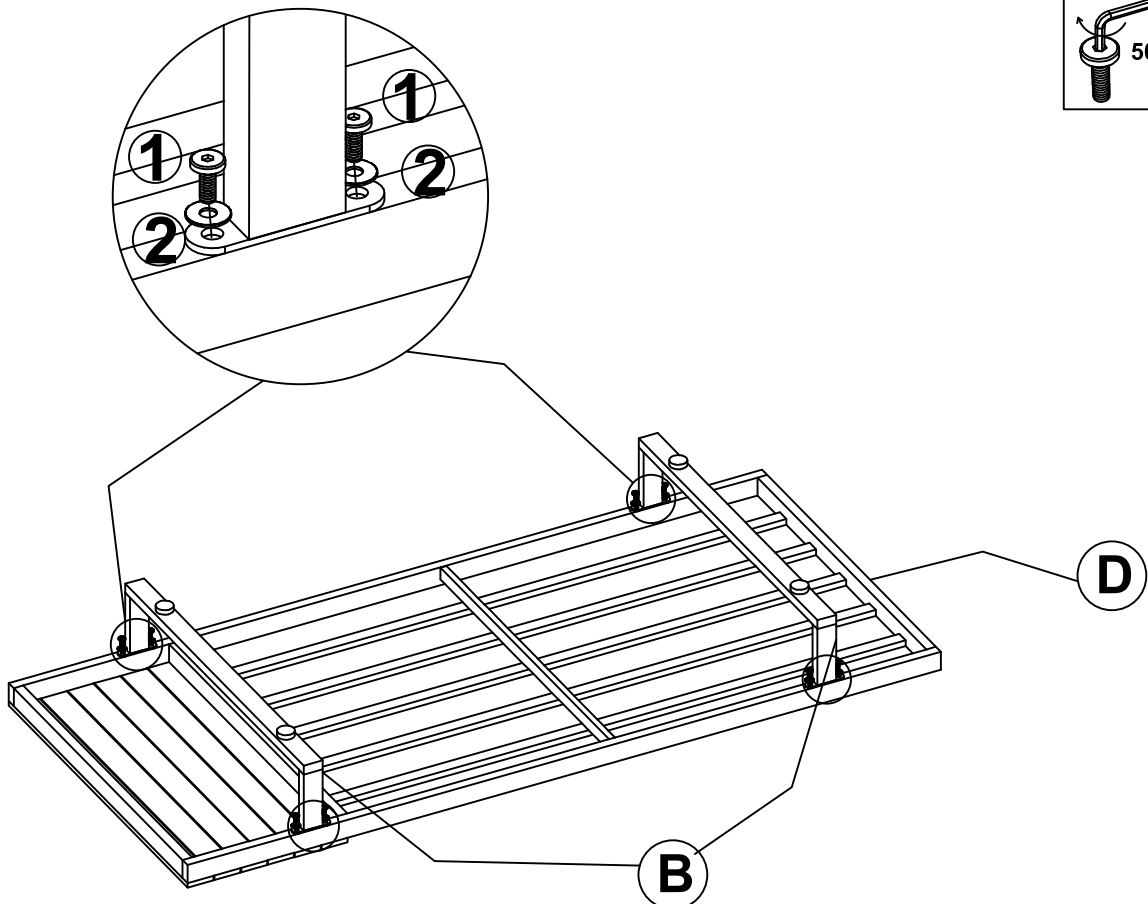


# ASSEMBLY INSTRUCTIONS

## Step3

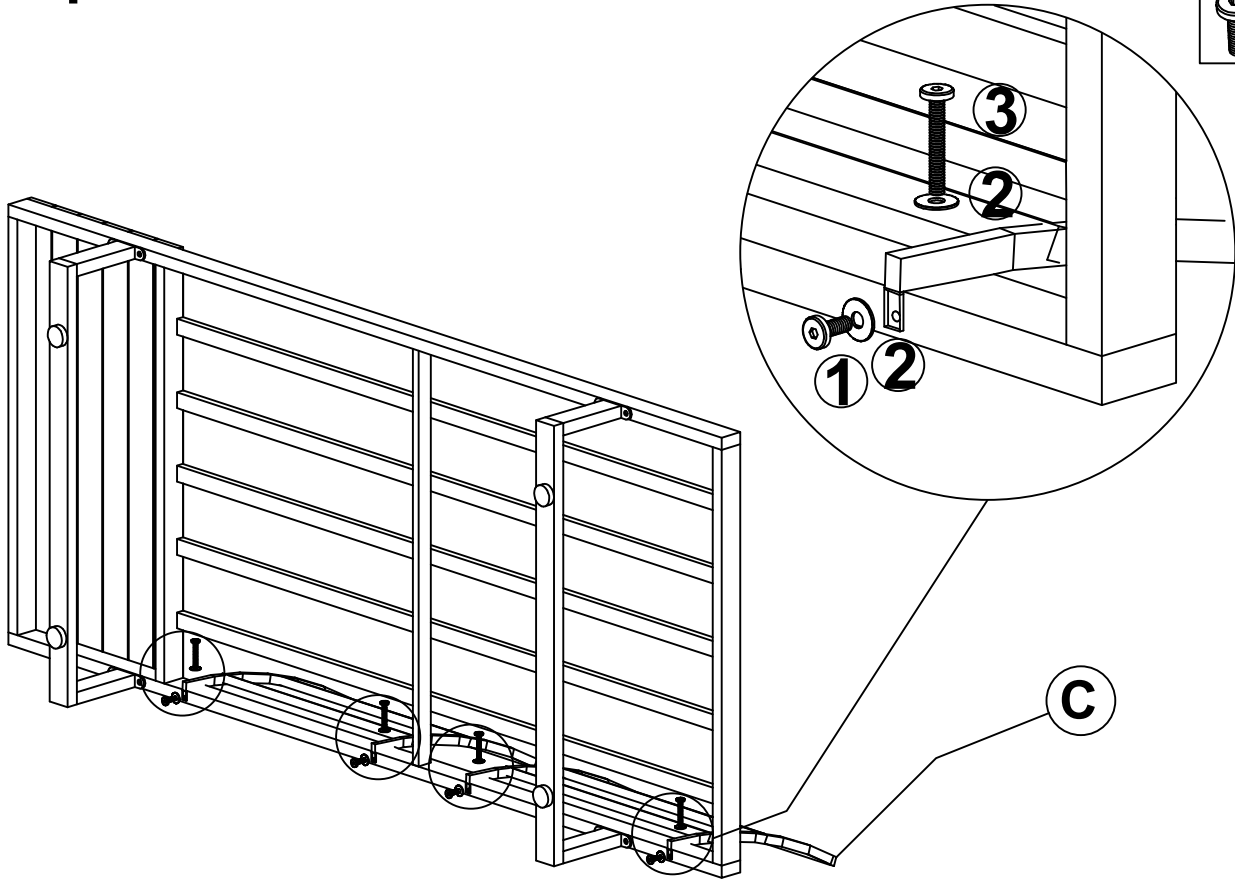


## Step4

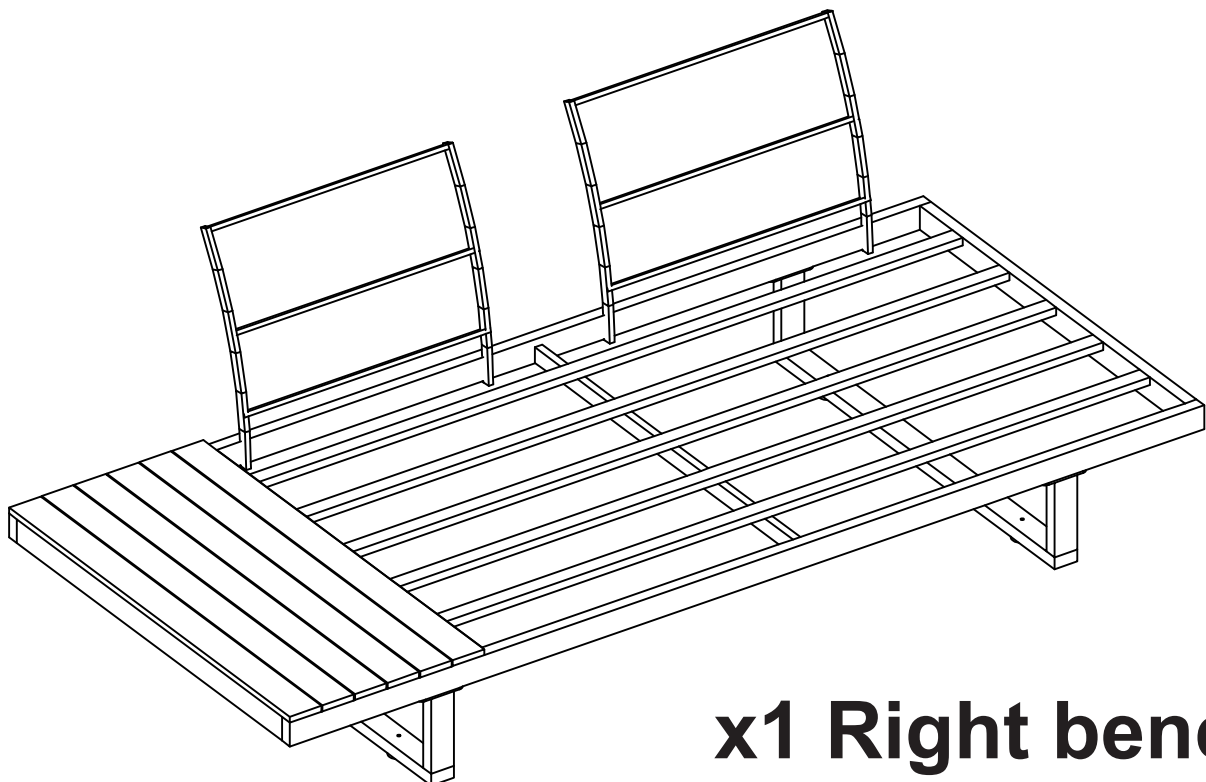


# ASSEMBLY INSTRUCTIONS

## Step5



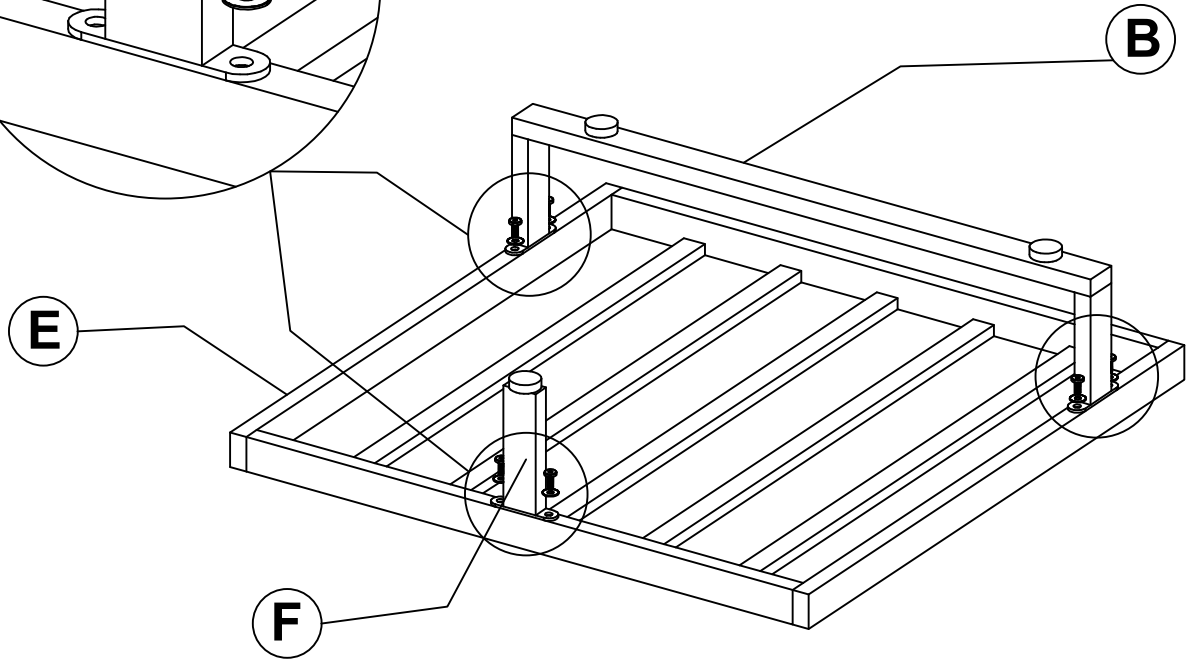
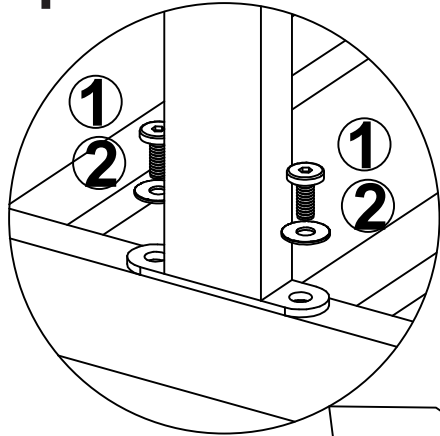
## Step6



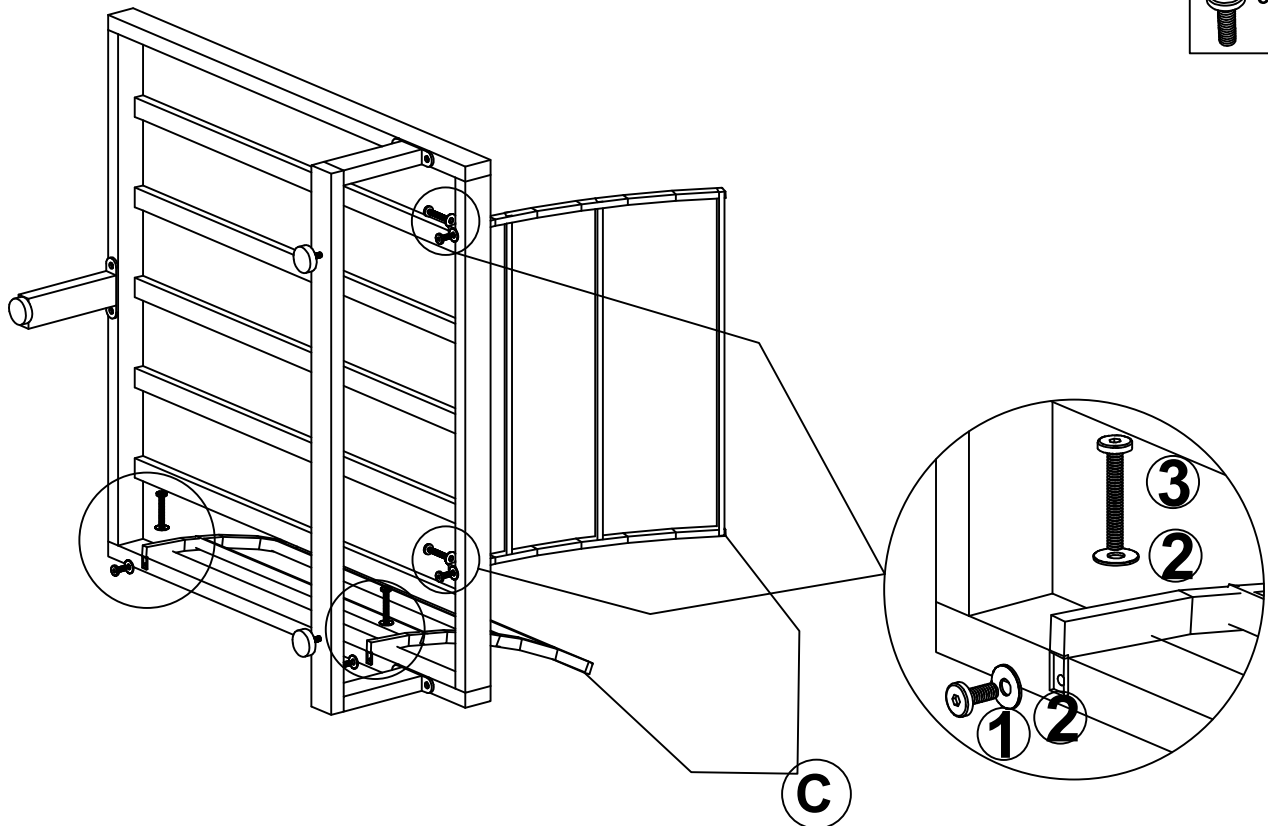
**x1 Right bench**

# ASSEMBLY INSTRUCTIONS

## Step 7

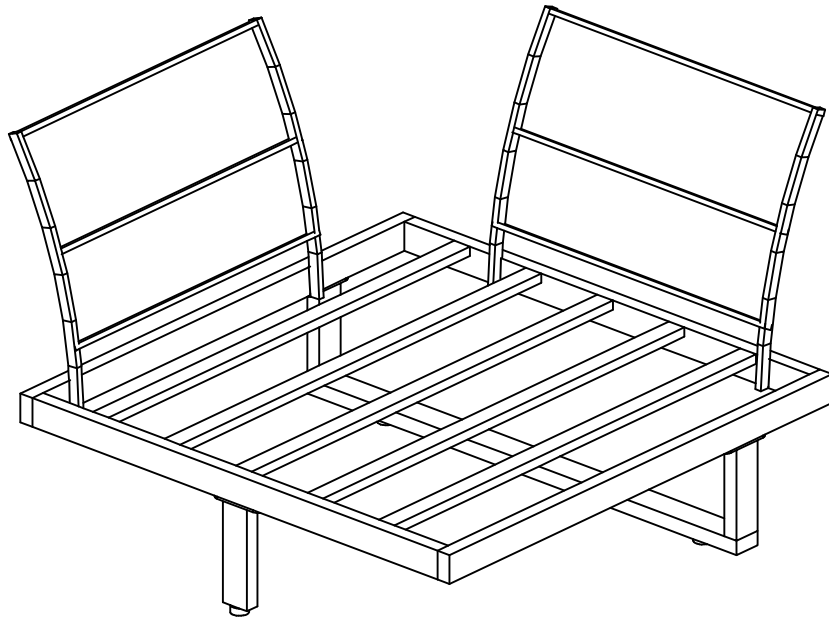


## Step 8



# ASSEMBLY INSTRUCTIONS

**Step9**

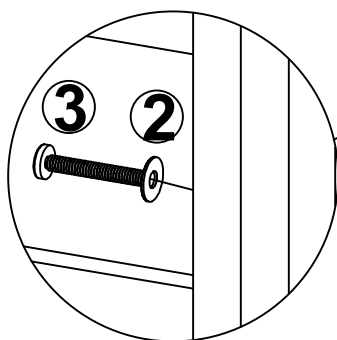
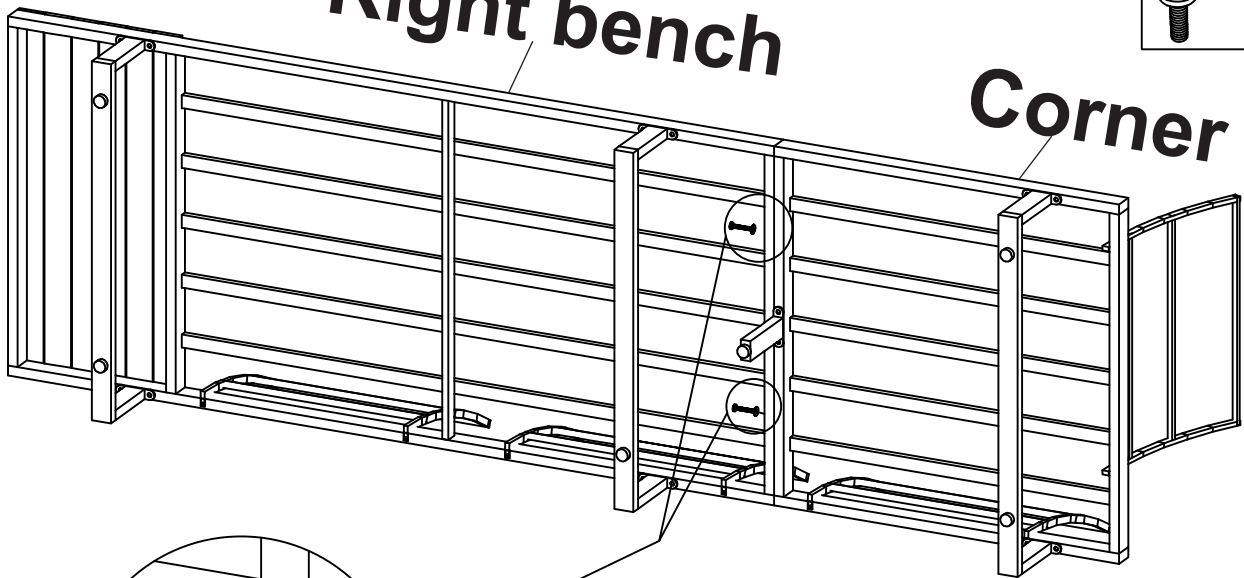


**x1 Corner**

**Step10**

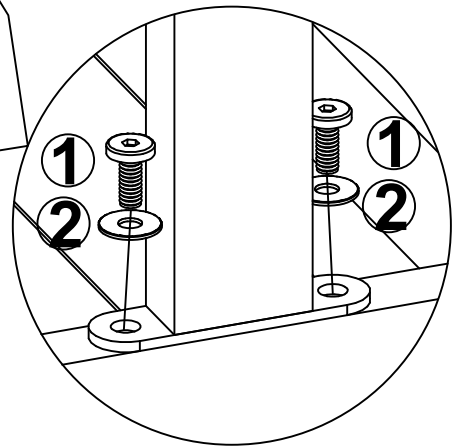
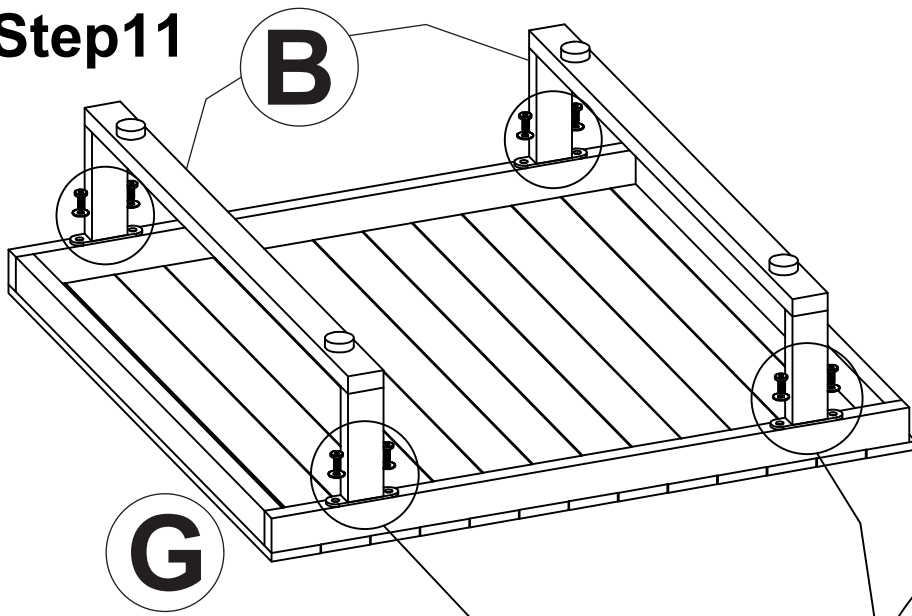
**Right bench**

**Corner**

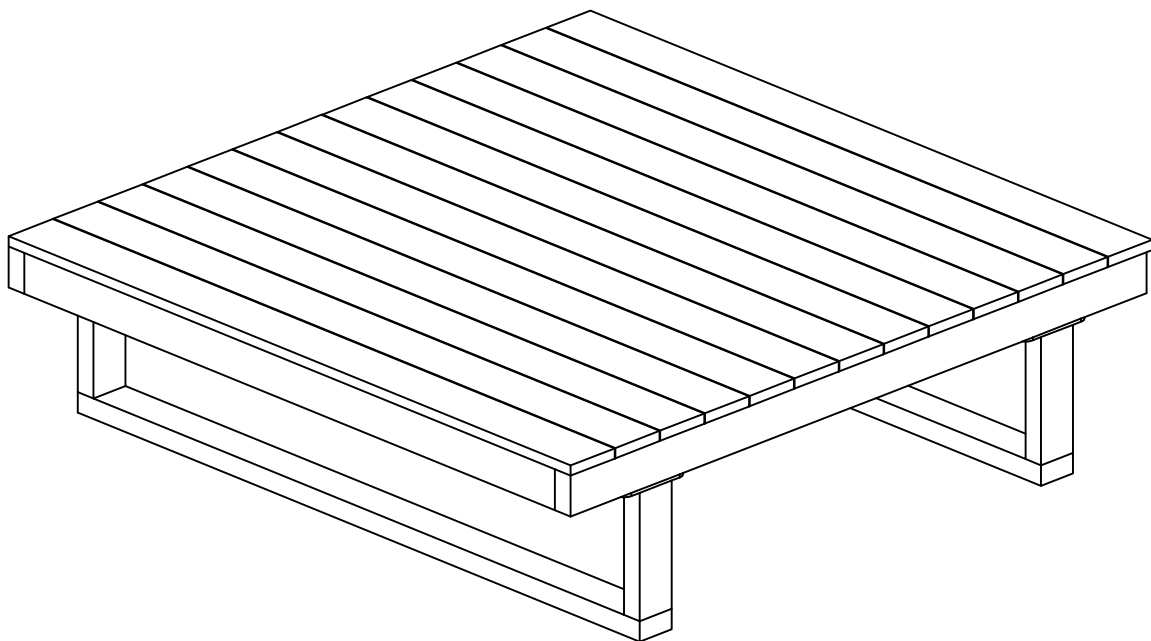


# ASSEMBLY INSTRUCTIONS

Step11



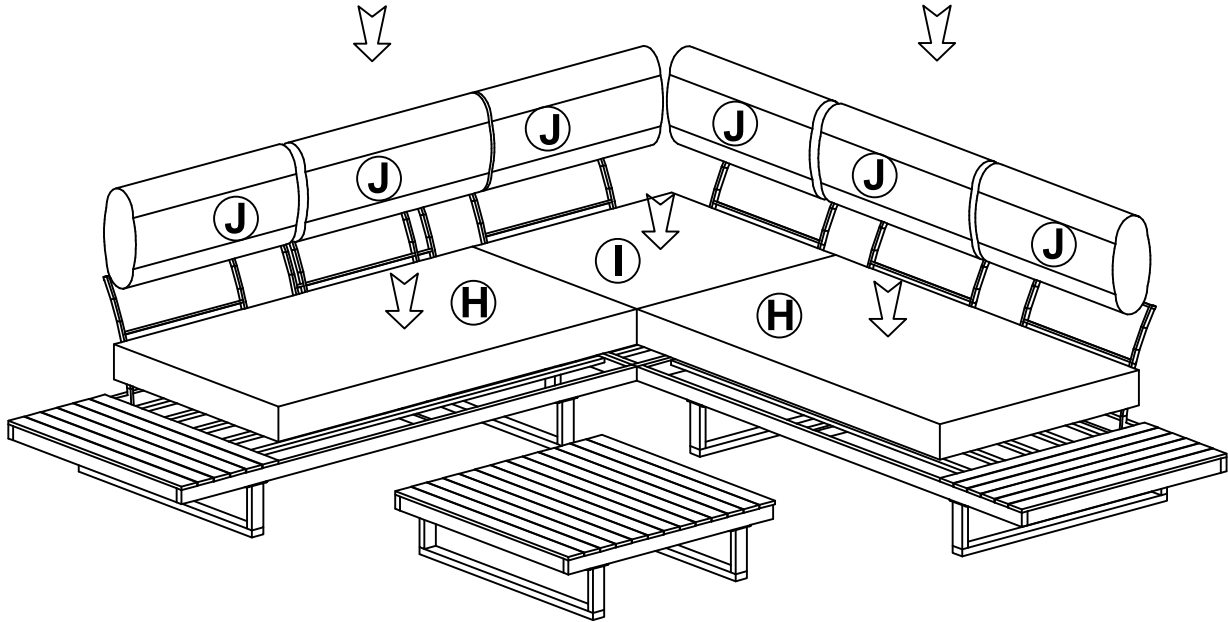
Step12



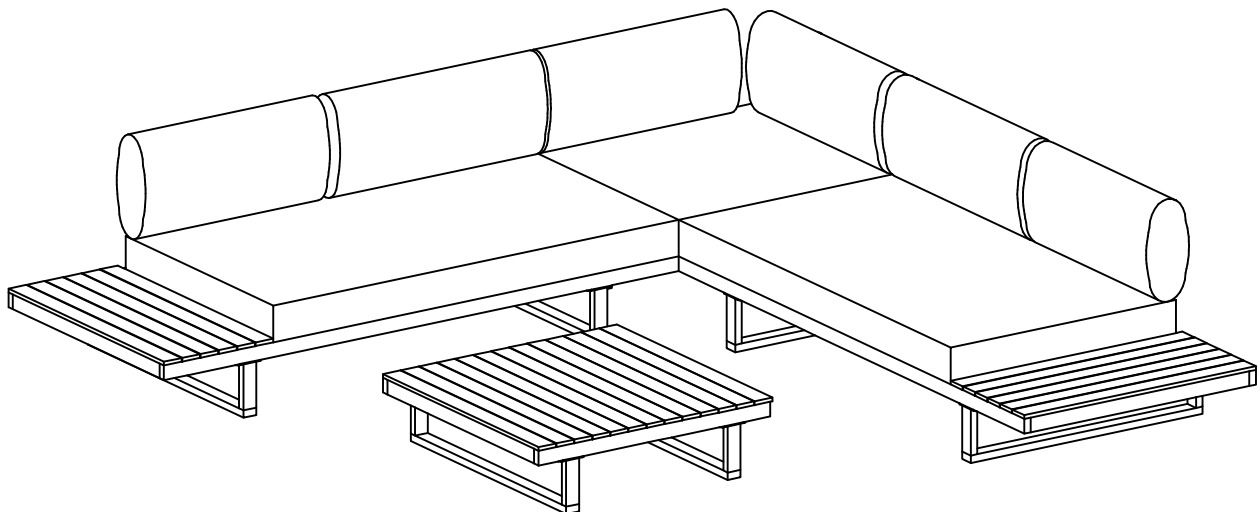
x1 Table

# ASSEMBLY INSTRUCTIONS

## Step13



## Step14



# IF YOU FIND A DEFECTIVE PART

---

We fully stock all parts and components. Any defective part can be quickly replaced. Take note of the defective part number in manual and we will arrange a quick replacement.

## COPYRIGHT

---

All material in this instruction manual is copyrighted  
Any unauthorised use may violate worldwide copyright, trademark and other laws.