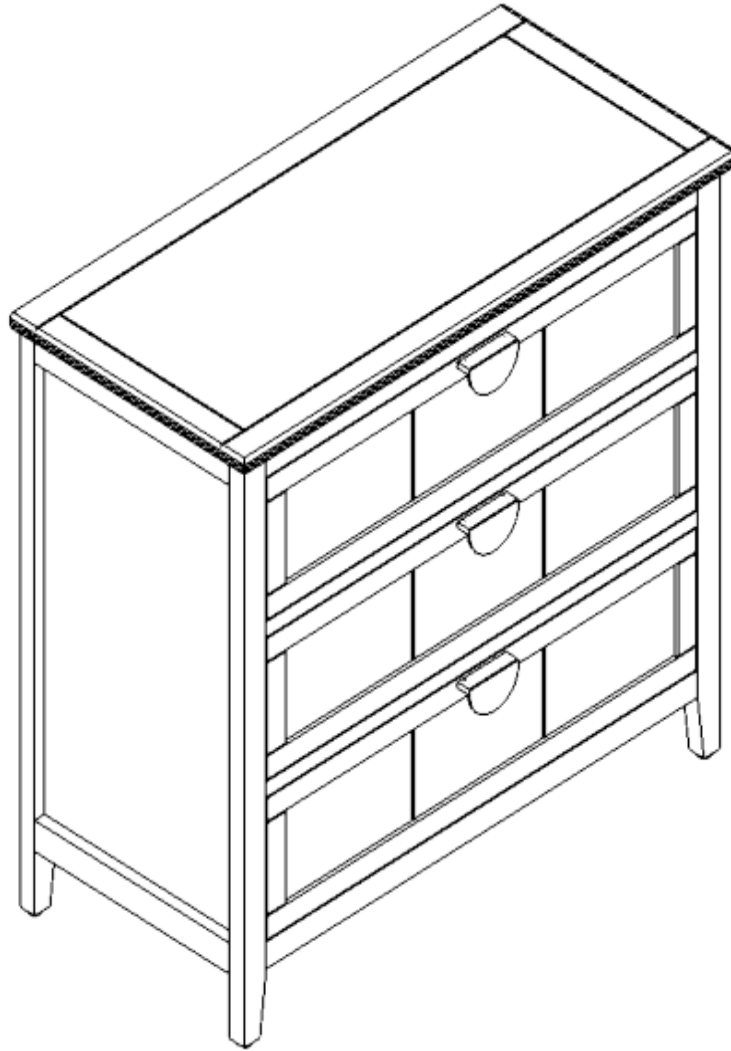


Installation Instruction



Product Name

3 Drawer Cabinet

Ver.1.0 20230216

Assembling

Estimated time for assembly

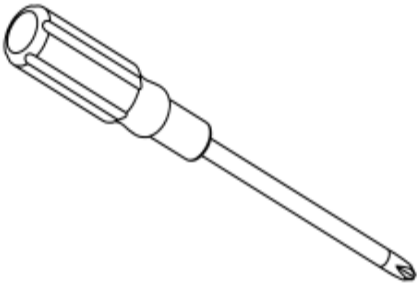


25 : 00

What you need

.Use the packaging carton as a working surface to prevent product damage during assembly

.Phillips head screwdriver



Weight Limitation



55

lbs table top

5

lbs per shelf



2 PERSONS

What's included

| Code | Description | Qty |
|------|------------------------|-----|
| A | Cam Bolt M5*27mm | 15 |
| B | Cam Lock 15*10mm | 15 |
| C | Screw Φ 4x25mm | 15 |
| D | Handle | 3 |
| E | Bolt M4*18mm | 6 |
| F | Bolt M6x35mm | 8 |
| G | Metal Washer | 8 |
| H | Allen Key | 1 |
| I | Screw Φ 4x20mm | 4 |
| J | Screw Φ 4x16mm | 4 |
| K | Plastic corner support | 8 |
| L | Screw Φ 2.5x16mm | 8 |
| M | Nylon strap | 2 |
| N | Anchor | 2 |
| O | Screw Φ 4x35mm | 2 |

The Hardwares

A



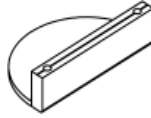
B



C



D



E



F



G



H



I



J



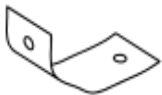
K



L



M



N



O



IMPORTANT:

1. Do not tighten bolts / screws completely until all bolts / screws are lined up and inserted into holes.
2. Do not over tighten screws and bolts to avoid stripping.
3. Please use hand tools to assemble this product. Do not use power tools.
4. Must need 2 people to assemble this product.

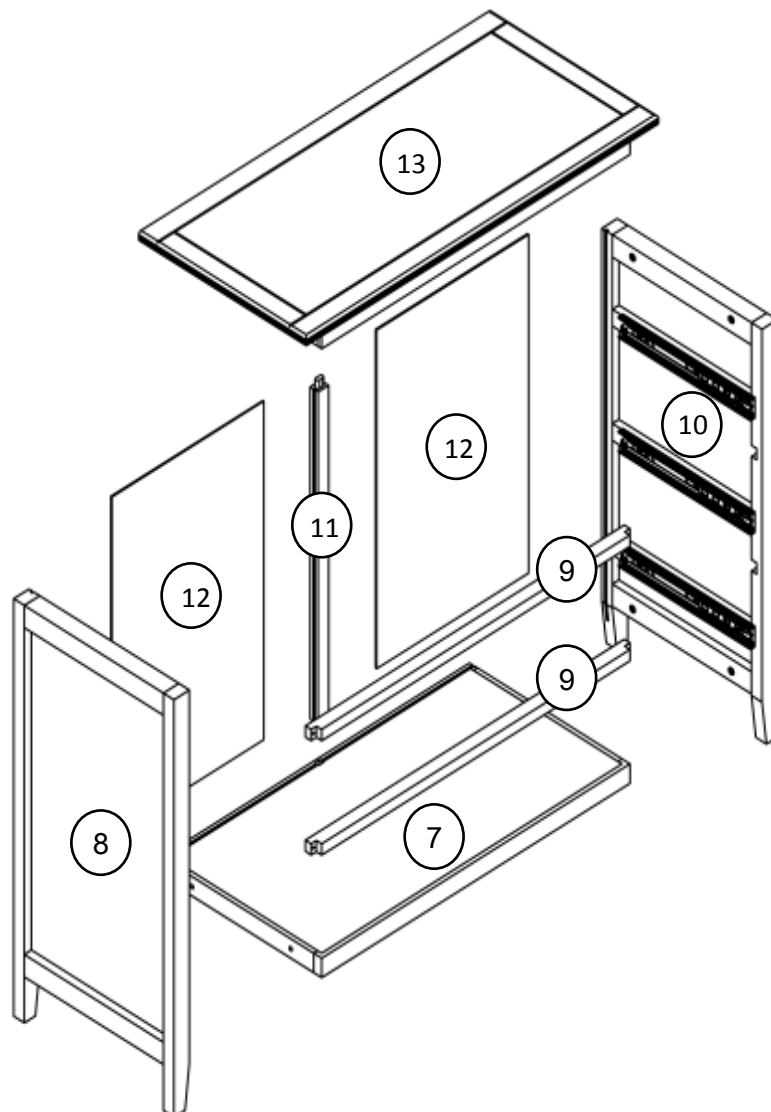
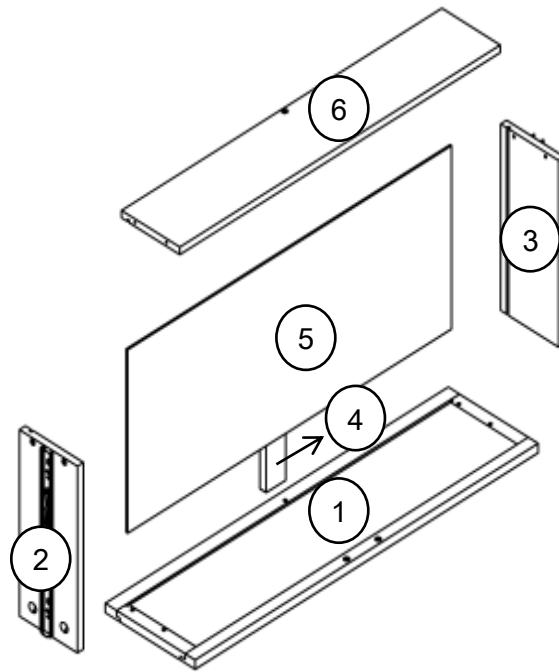


2 PERSONS

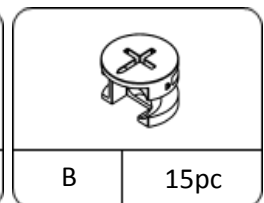
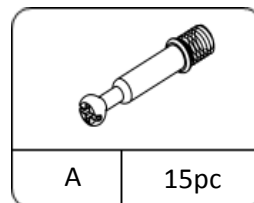
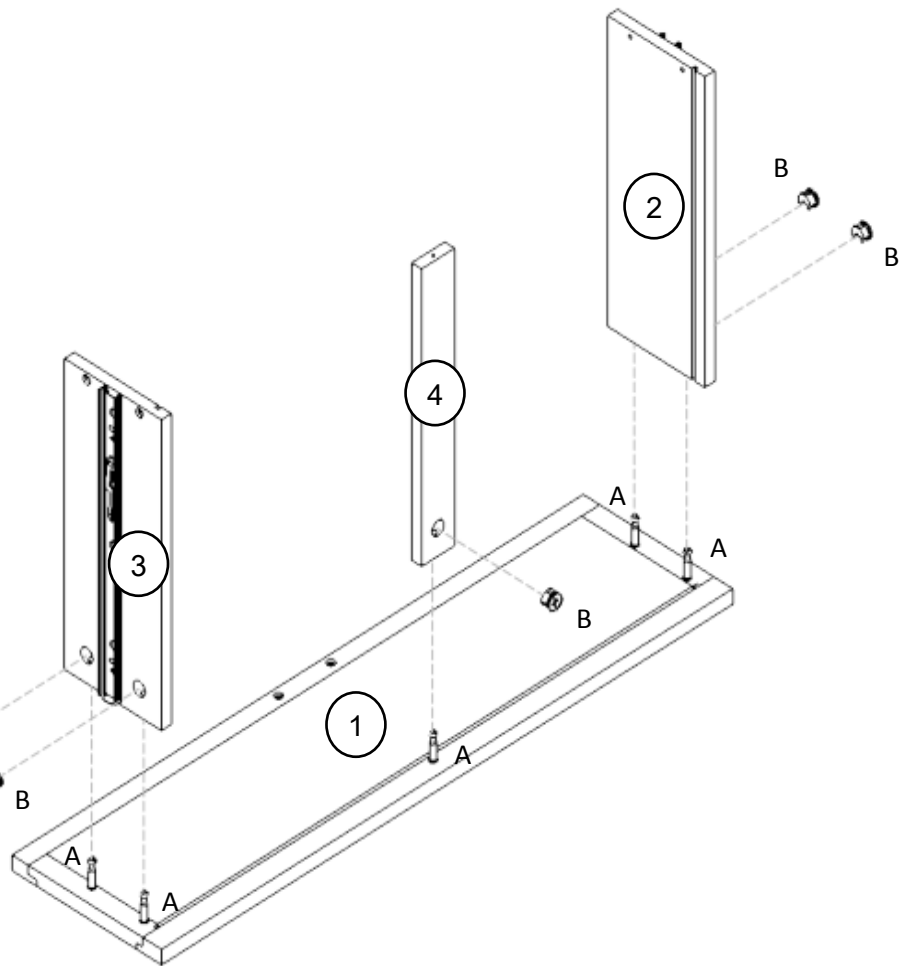
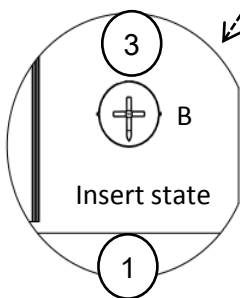
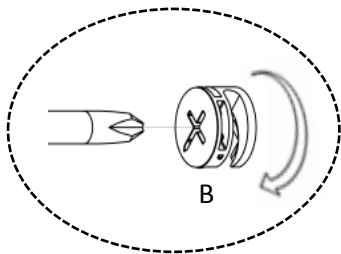
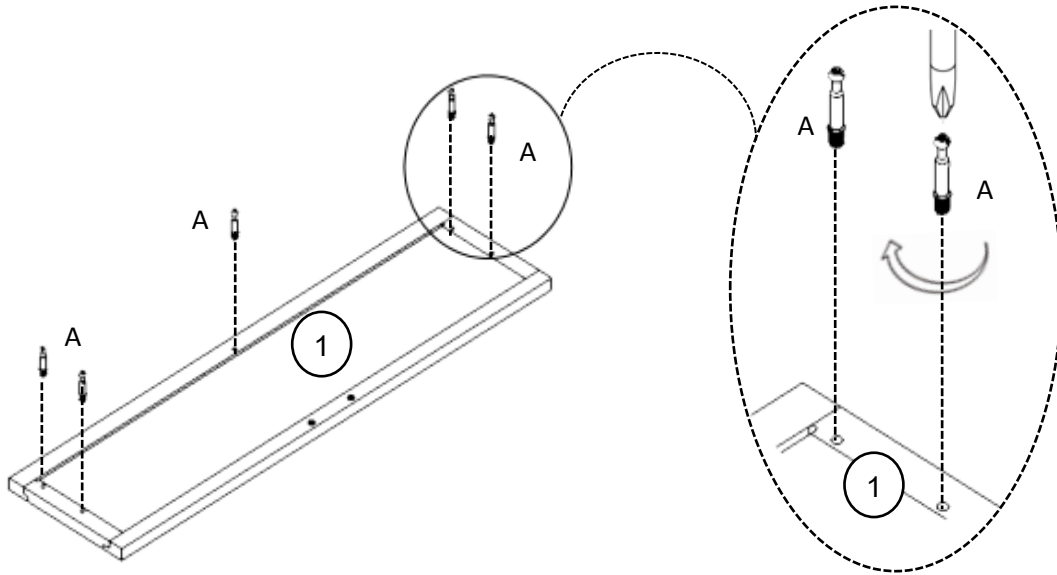
Included Accessories

| Code | Description | Qty |
|------|-----------------------------|-----|
| 1 | Drawer Front Panel | 3 |
| 2 | Drawer Left Side Panel | 3 |
| 3 | Drawer Right Side Panel | 3 |
| 4 | Drawer Vertical Stretcher | 3 |
| 5 | Drawer Bottom Panel | 3 |
| 6 | Drawer Back Panel | 3 |
| 7 | Bottom Panel | 1 |
| 8 | Left Side Panel | 1 |
| 9 | Drawer Bottom Support Panel | 2 |
| 10 | Right Side Panel | 1 |
| 11 | Back support Panel | 1 |
| 12 | Back Panel | 2 |
| 13 | Cabinet Top | 1 |

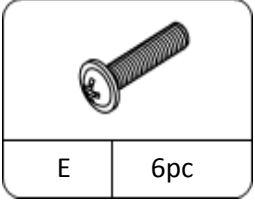
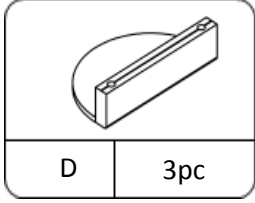
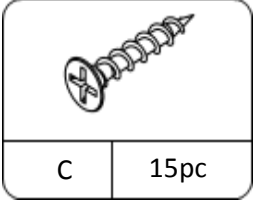
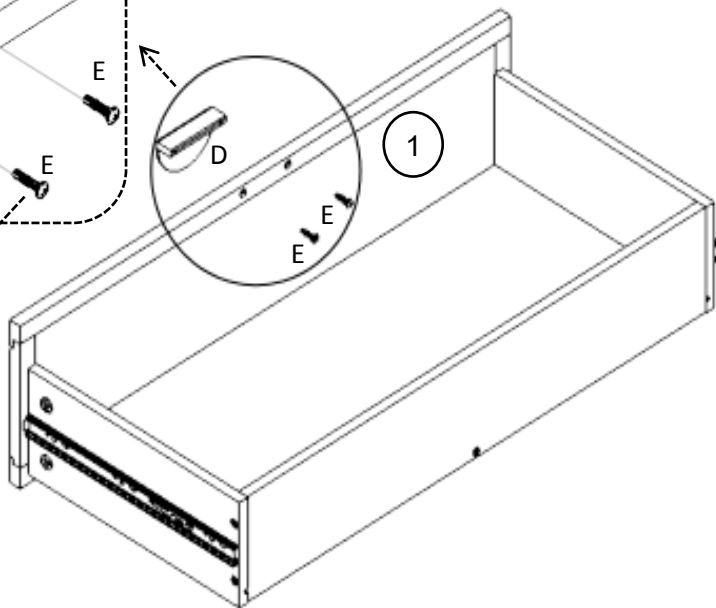
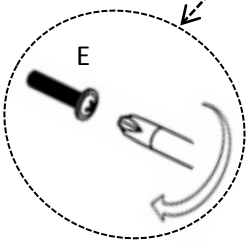
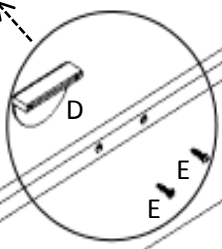
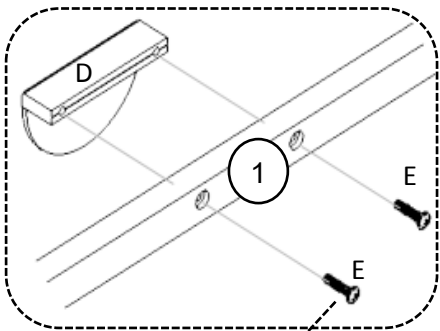
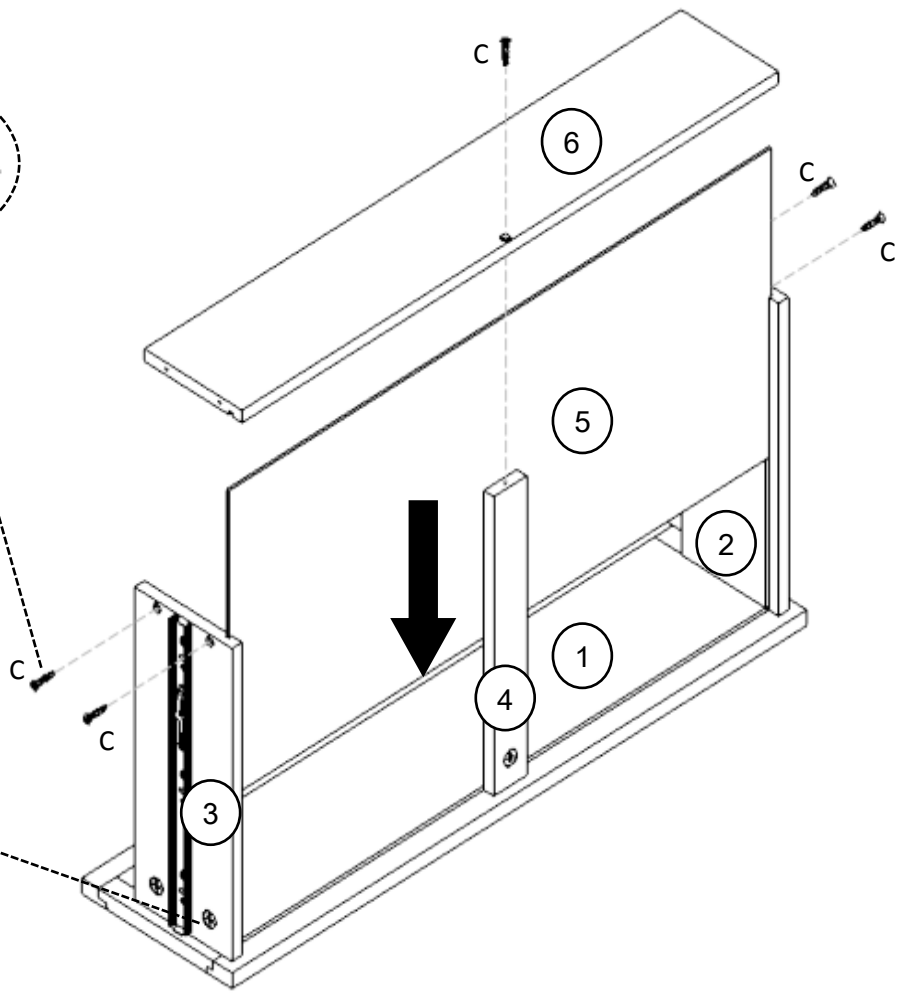
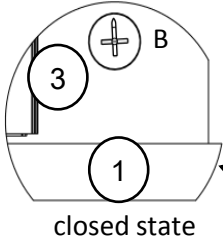
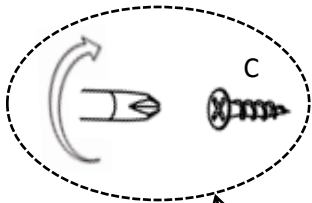
The Accessoriess



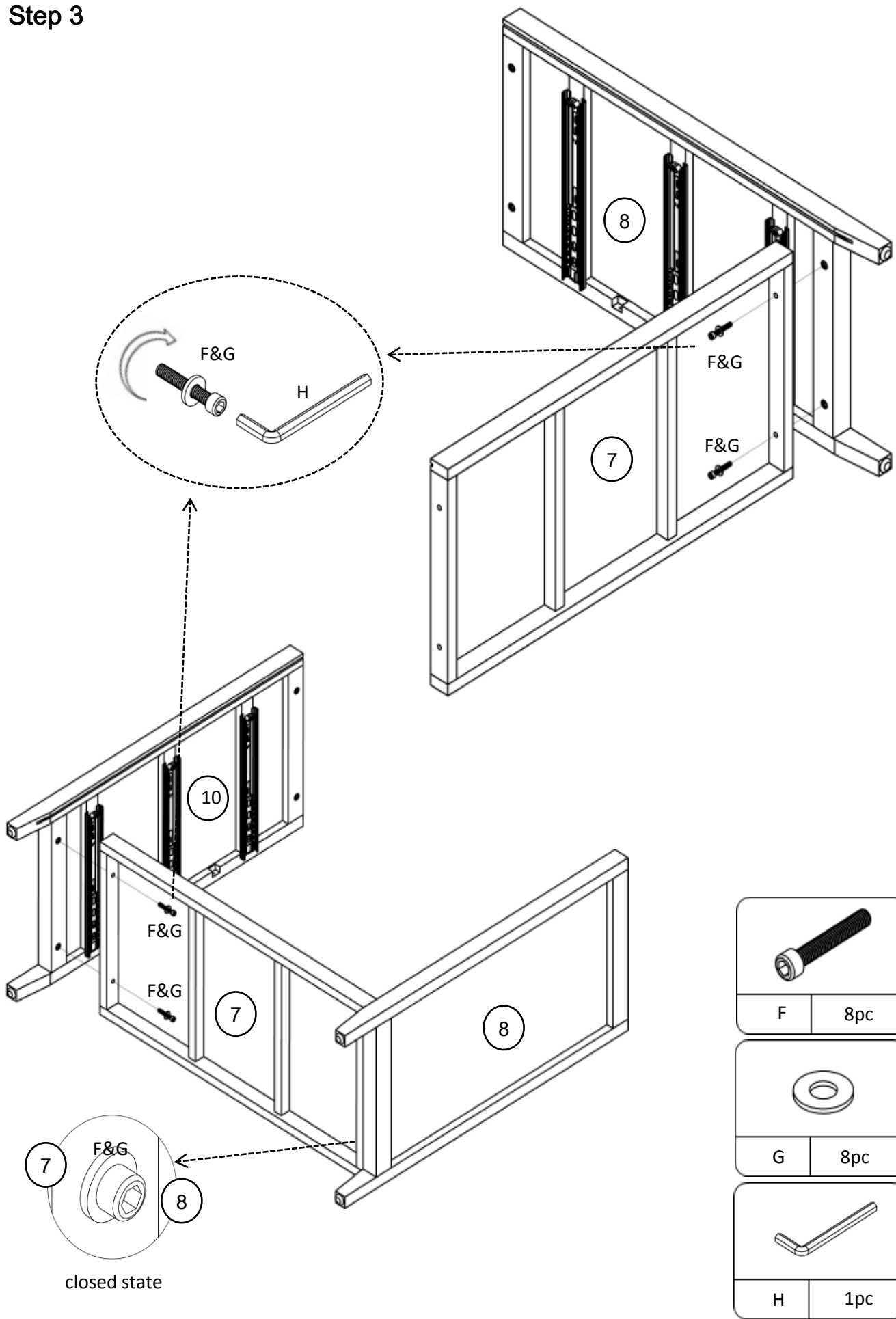
Step 1



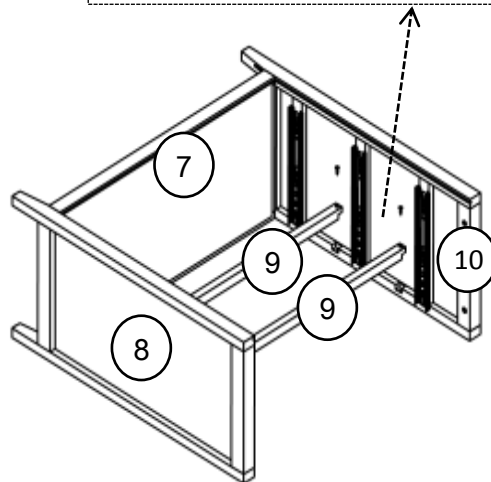
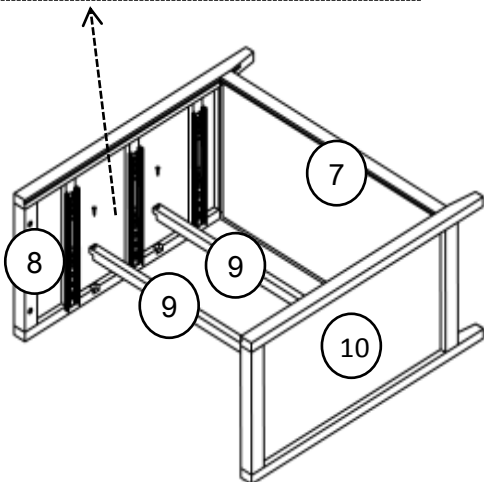
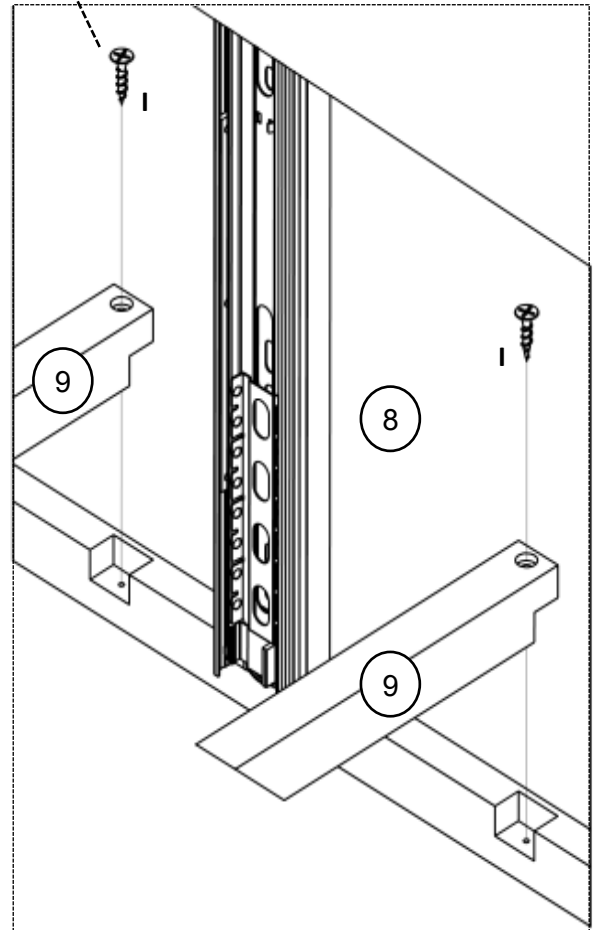
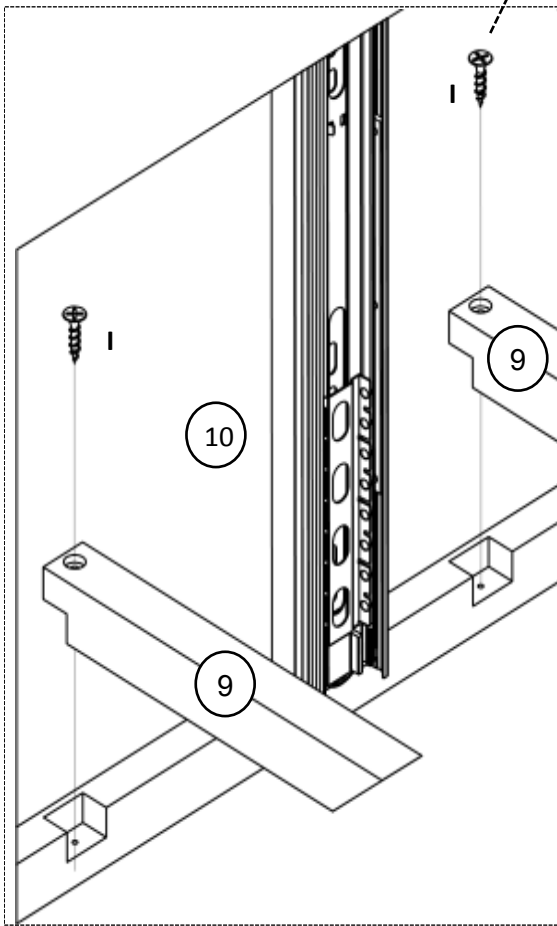
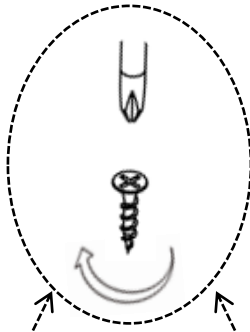
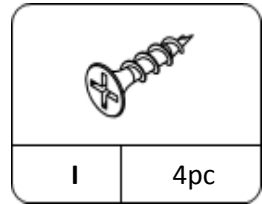
Step 2



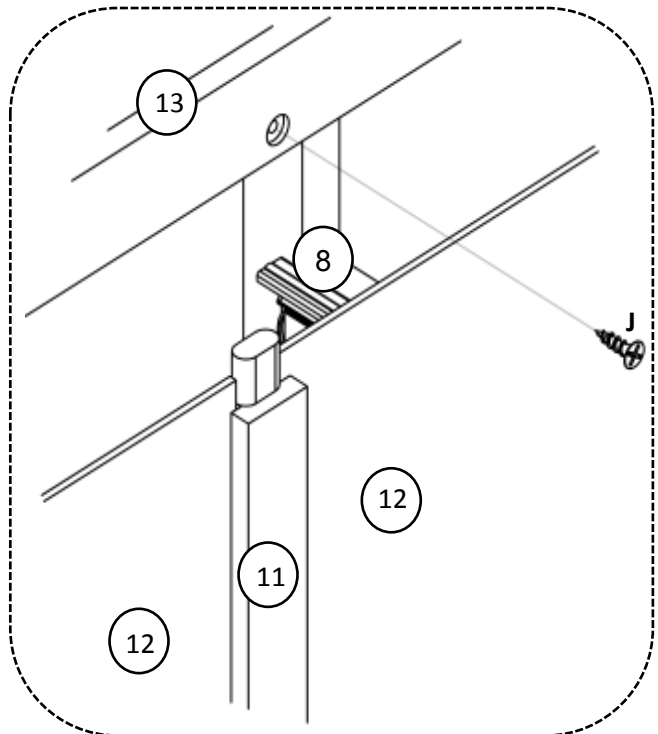
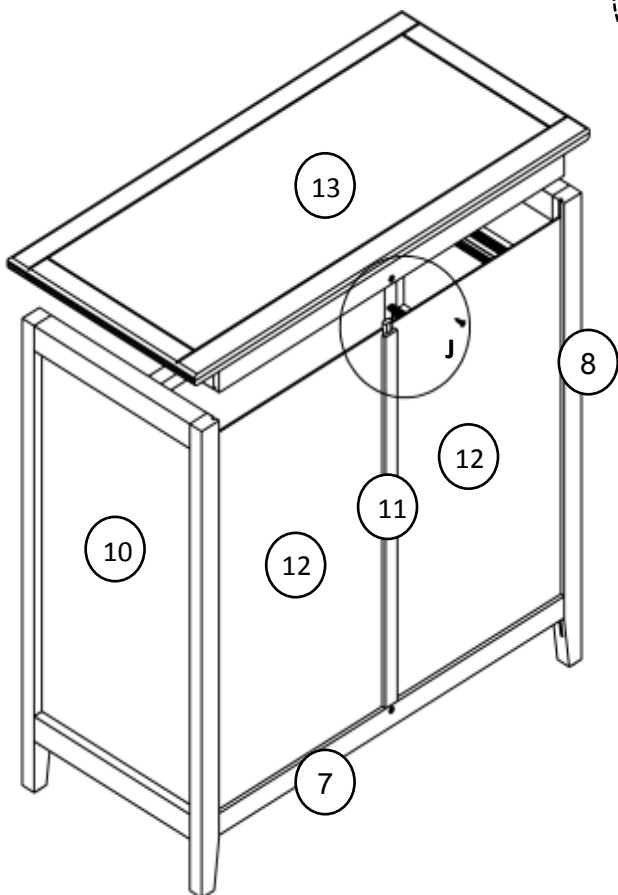
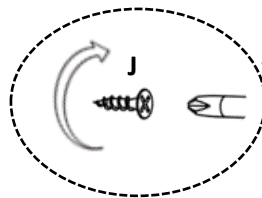
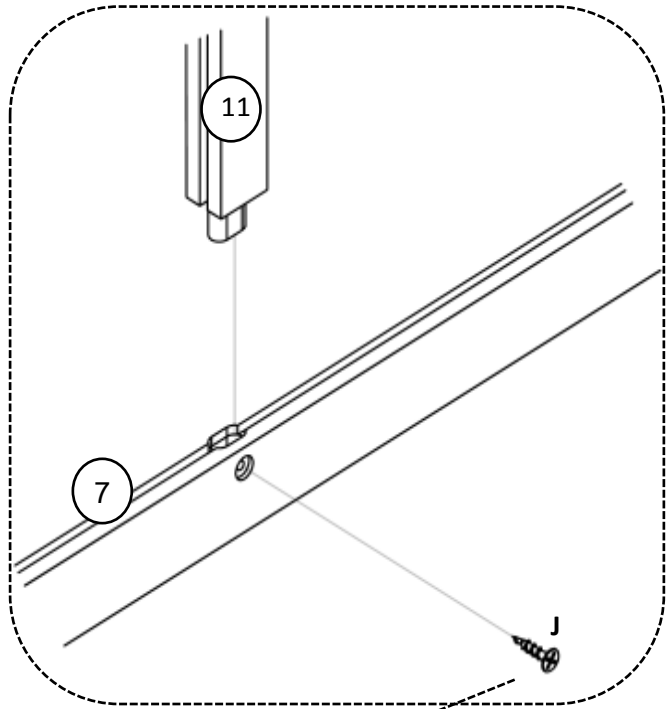
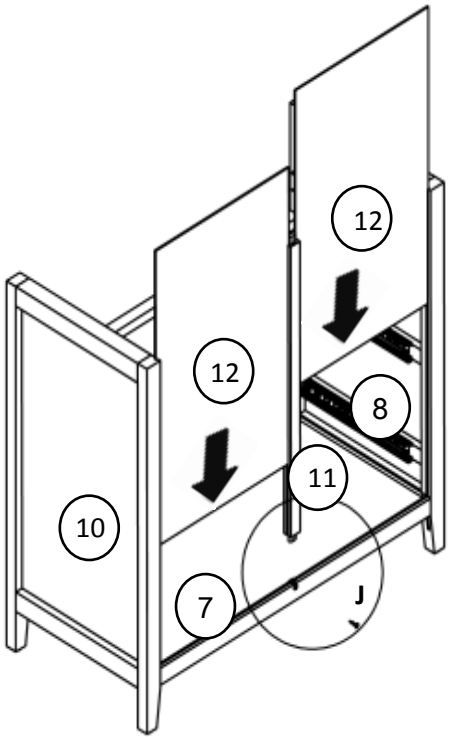
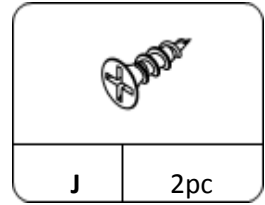
Step 3



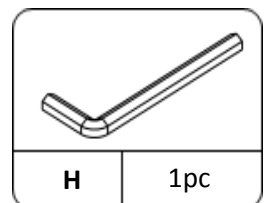
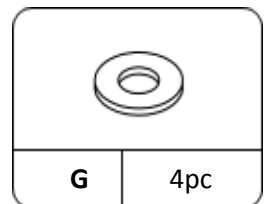
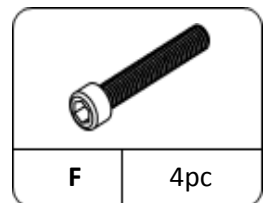
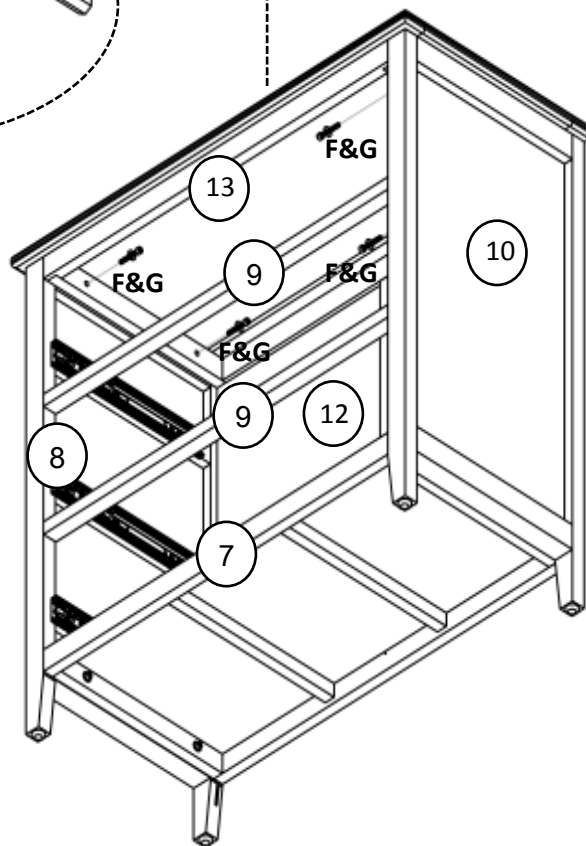
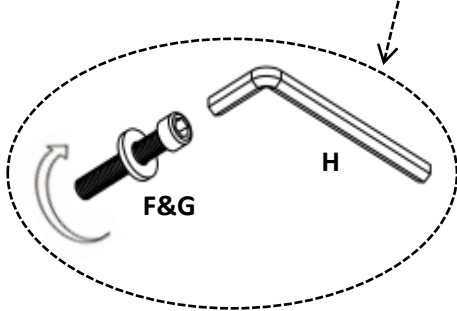
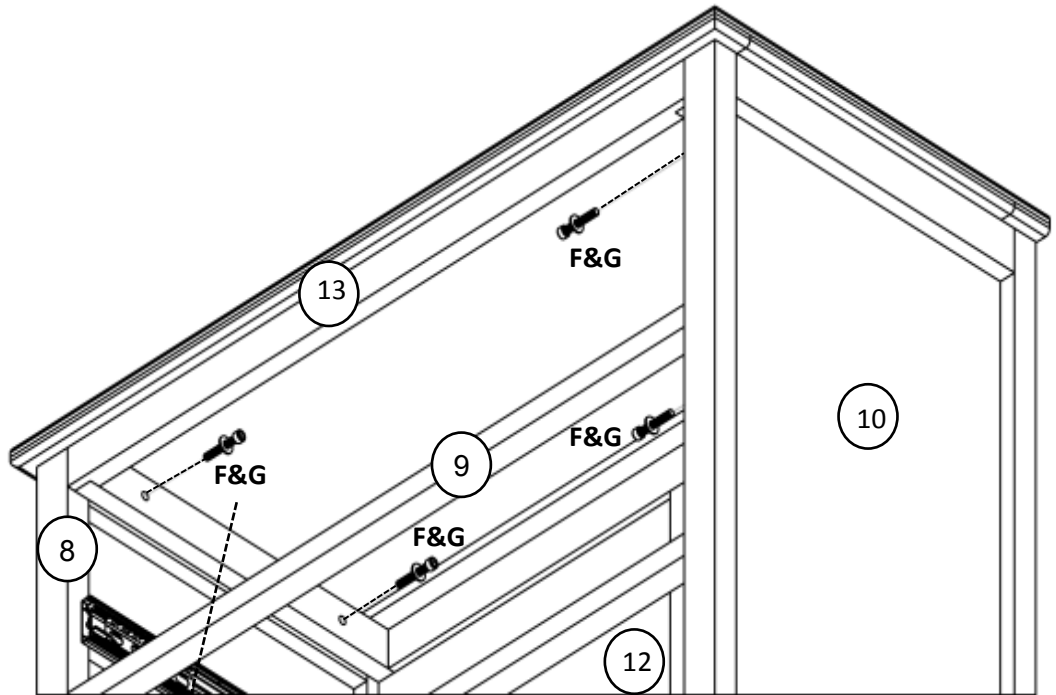
Step 4



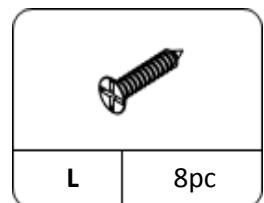
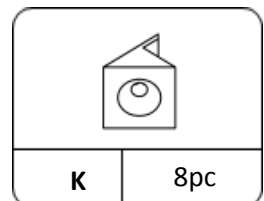
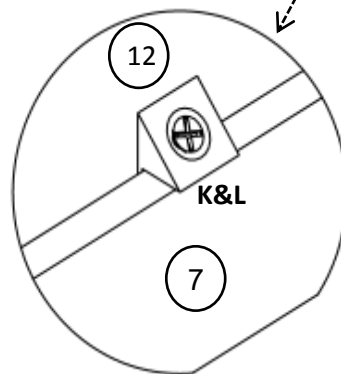
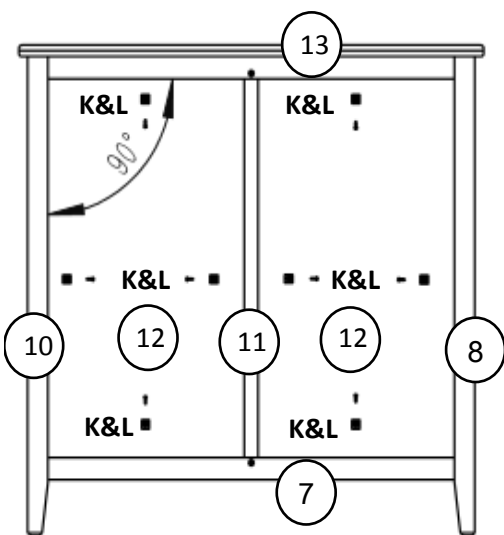
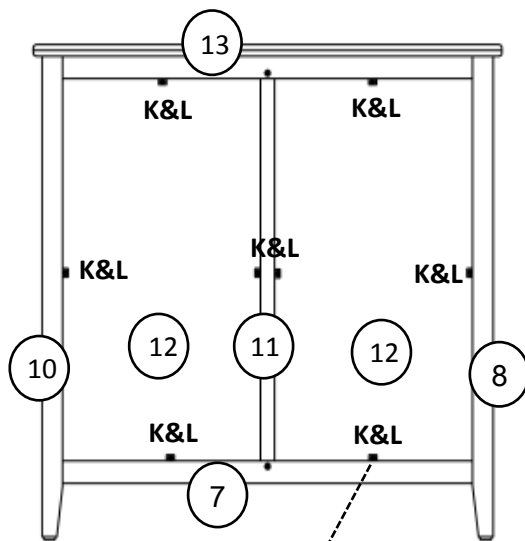
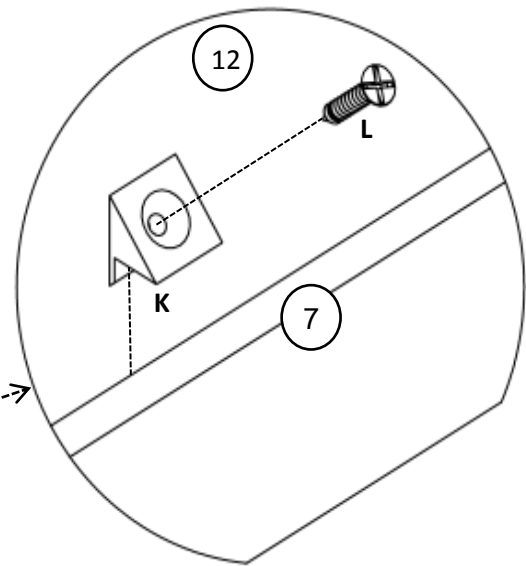
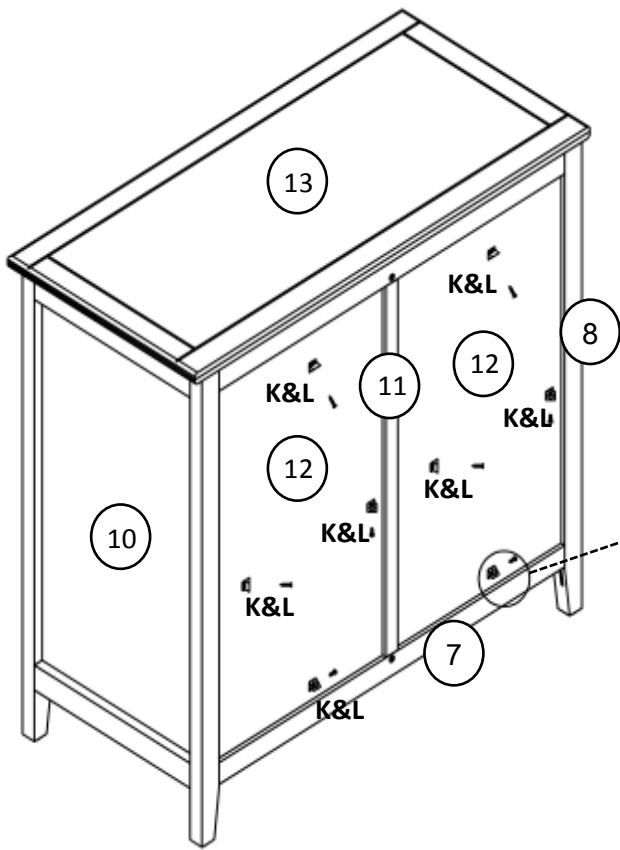
Step 5



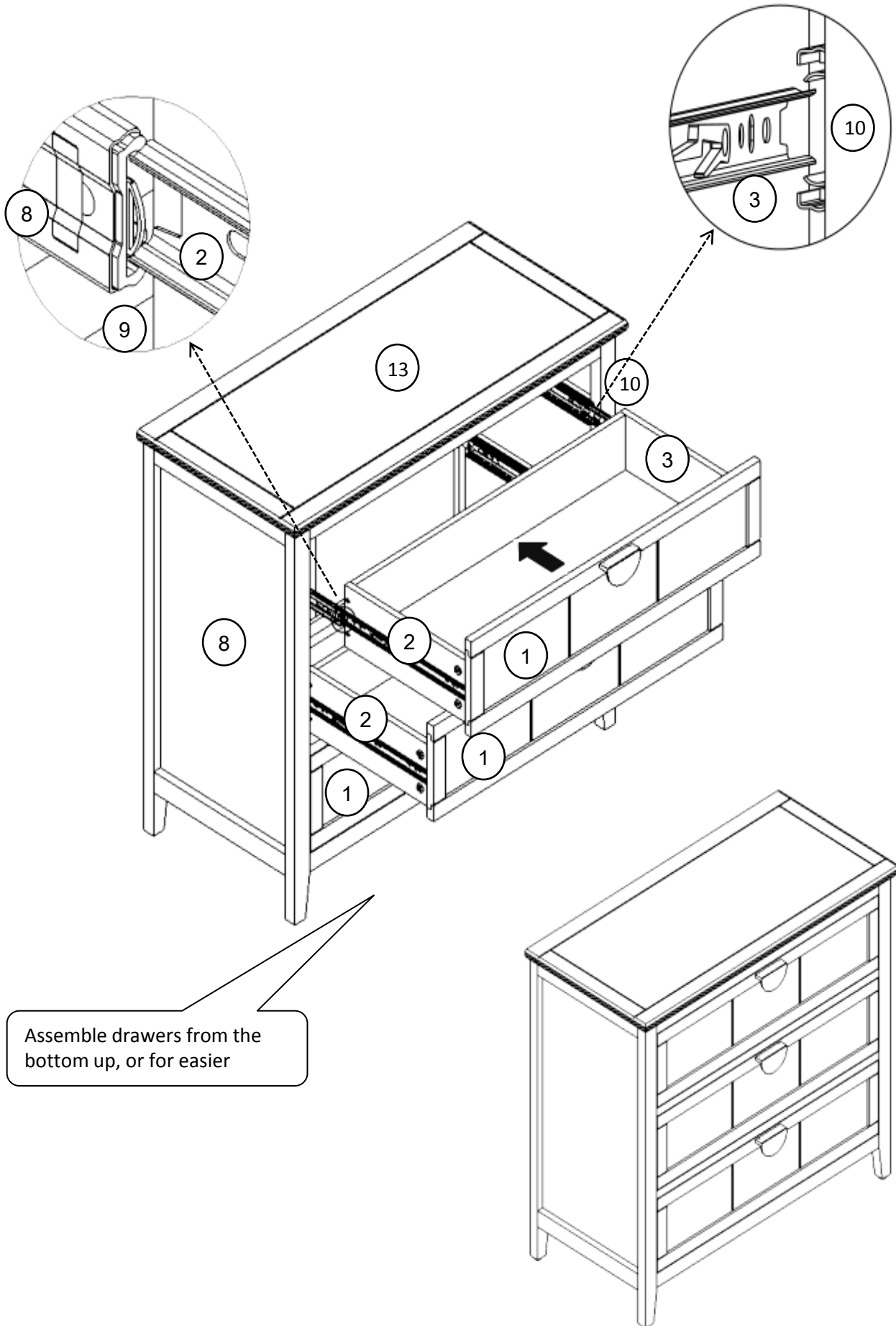
Step 6



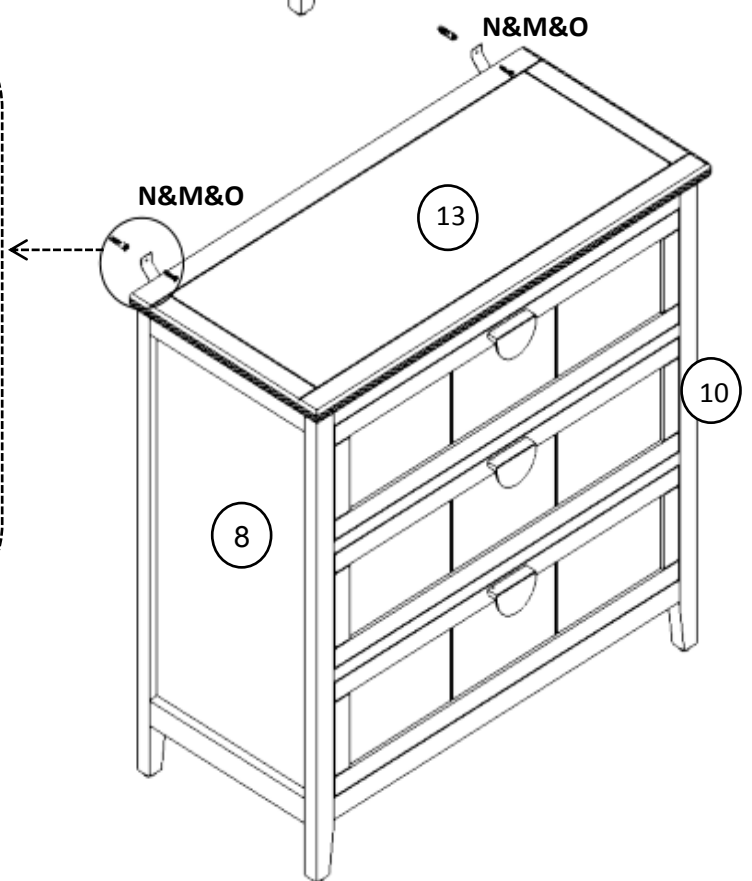
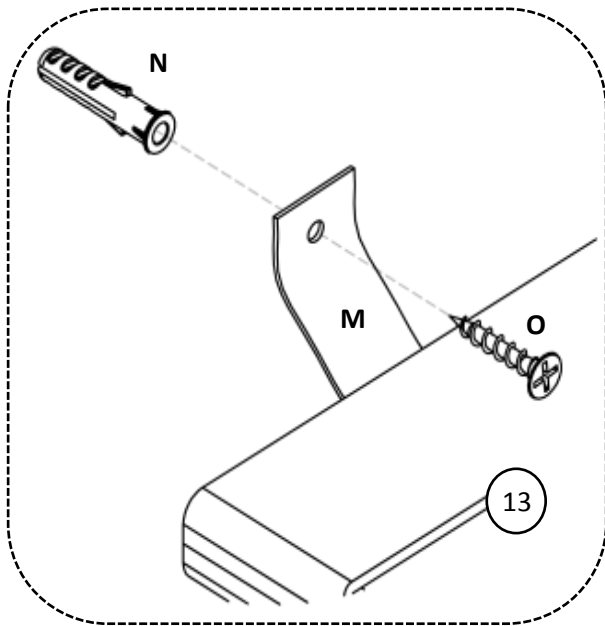
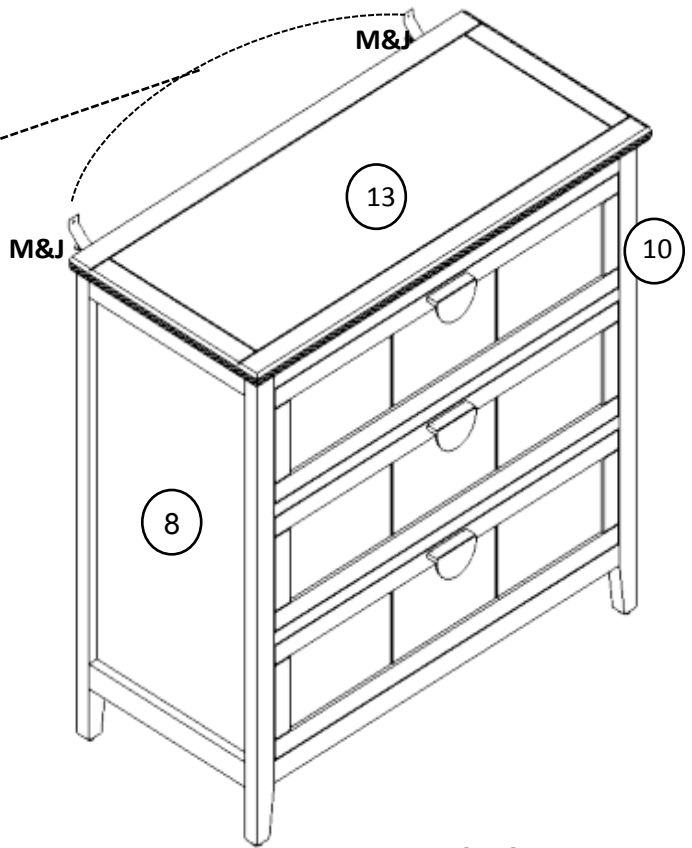
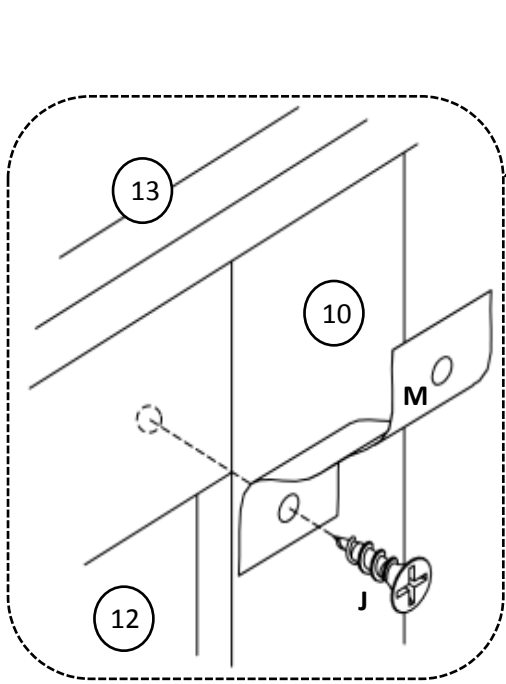
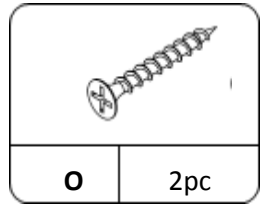
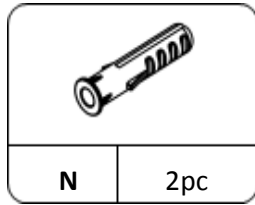
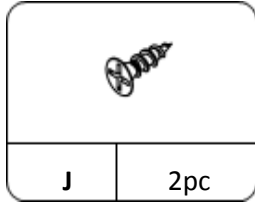
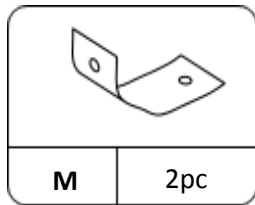
Step 7



Step 8



Step 9



Proper Use

- DO NOT use for commercial purposes
- DO NOT use as a step stool or stand on table
- DO NOT put hot serving liquid directly on the table top
- DO NOT leave spilled liquid on the table top
- DO NOT use table if damaged
- DO NOT exceed weight limit
- DO NOT make temporary repairs
- DO NOT use outdoor

Dear Customer:

Thank you for purchasing our product, we wish you satisfy our service, if you have any further questions or any quality issues, please show the belows number and don't hesitate to contact our Customer Service People :

W688202303