

MODERN CHANGING TABLE WITH SIX FOLDING BASKETS

**Assembly Instructions. Adult Assembly Required.
Read all instructions before using Changing Table.
This manual is part of the product and
must be kept for future reference.**



USE AND CARE INSTRUCTIONS:

Wipe the table, pad, and safety belt clean with a damp cloth and mild soap as needed. Dry thoroughly.

Spot clean baskets as needed.

Do not immerse baskets in water.

ASSEMBLY TIPS!



Review the entire manual before beginning. Leave hardware slightly loose during assembly and then go back and tighten fully at the end.

If using a power screwdriver, keep torque setting low and go slow to prevent damage to the product.



WARNING

ADULT ASSEMBLY REQUIRED - TWO PERSON RECOMMENDED.
KEEP OUT OF REACH OF CHILDREN UNTIL ASSEMBLY IS COMPLETE.



WARNING - FAILURE TO FOLLOW THESE WARNINGS AND THE INSTRUCTIONS COULD RESULT IN SERIOUS INJURY OR DEATH

READ ALL INSTRUCTIONS before use of this product.
Keep instructions for future use.

Do not use the product if it is damaged, broken, or missing parts.
DO NOT allow anyone to climb, sit on, stand on, or play on or inside of this product. It is not a seat, step stool, or ladder.

Periodically check to make sure all the hardware remains tight.

No product is a replacement for adult supervision



WARNING

FALL HAZARD: Children have suffered serious injuries after falling from changing tables. Falls can happen quickly.

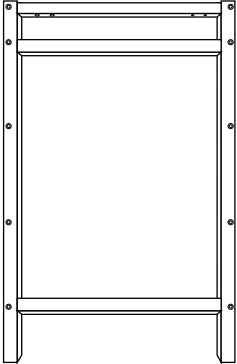





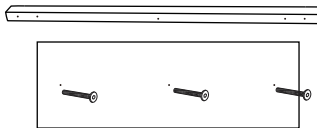


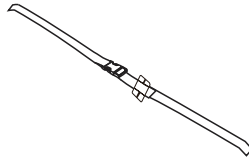
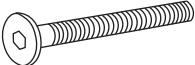
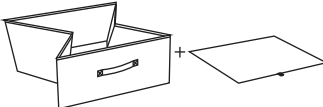

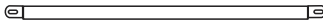

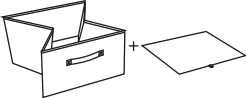
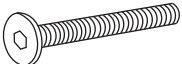
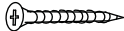




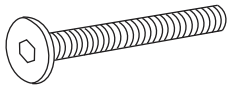
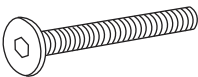
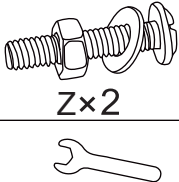
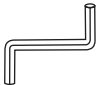

- **STAY** within arm's reach of your child.
- **READ ALL INSTRUCTIONS** before use of this changing table.
- **DO NOT** use the changing table if it is damaged, broken, or missing any parts.
- The baby's **maximum weight** for use of this product is **30 pounds (13.64 kg)**.
- This manual is part of the product. **KEEP INSTRUCTIONS for future use.**
- **NEVER** use the changing table without the safety belt properly installed.
- **ALWAYS** use the safety belt and keep at least one hand on Baby at all times.
- **ALWAYS** secure the changing pad to the changing surface by placing it onto the top shelf under the safety belt as shown in this manual.
- **This product is not intended to be used as a changing table without the top safety rails, included changing pad, and safety belt installed.** Use of the product without this may result in death or serious injury to your child from falling. Follow all instructions on attaching and using the safety rails, changing pad, and safety belt.
- **NEVER** leave your baby unattended, not even for a moment, when you are changing Baby's diaper or dressing your child on the table.
- Product and/or hardware may include small parts or screws with sharp points. **Choking Hazard!** Keep unassembled parts out of the reach of small children.
- Use only the changing pad, parts, and hardware provided by our.
- **DO NOT** allow children or pets to climb on or play on the table.
- **Periodically check** to make sure all the bolts and screws remain tight and **regularly** retighten the bolts as needed.
- Keep child's skin/body clear of the safety belt buckle when snapping/unsnapping to prevent injury.
- Buckle is not securely fastened unless you hear an audible "click" to indicate the parts have connected securely together.
- If adjusting the length of the belt, always pull extra belt slack through the safety clip so that the belt lies flat.
- **NEVER** allow child to stand up on the table due to risk of falls and injury or death.



WARNING

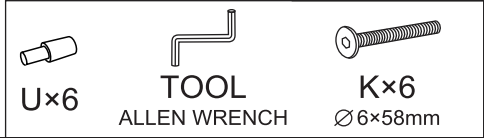
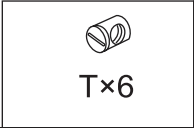
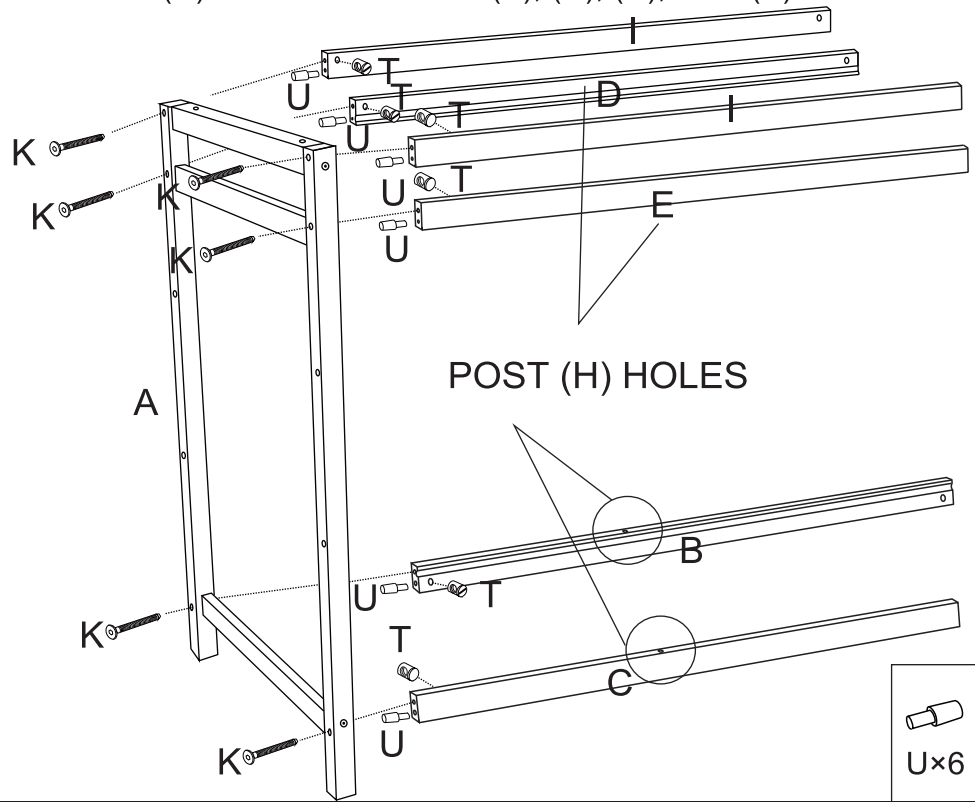
SUFFOCATION HAZARD: Babies have suffocated while sleeping on changing pads. Changing pads are not designed for safe sleeping.

- **NEVER** allow Baby to sleep on the changing pad.

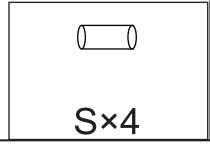
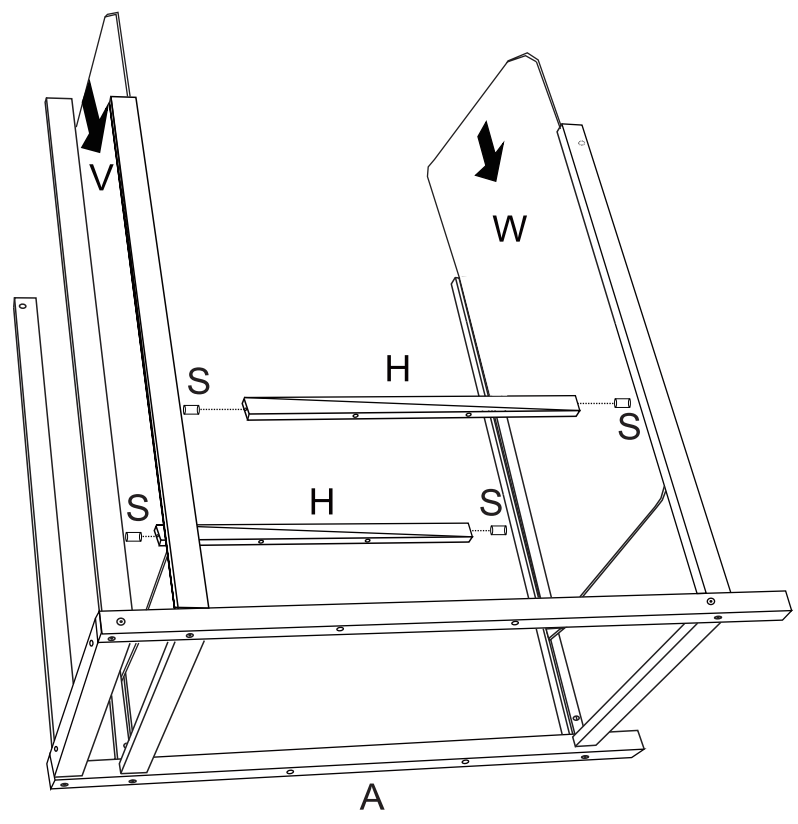
 <p>A×2 SIDE</p>	<p>Hole for PART H</p>  <p>B×1 BOTTOM SHELF RAIL - REAR</p>	<p>Hole for PART H</p>  <p>C×1 BOTTOM SHELF RAIL - FRONT</p>	<p>Holes for PART H & J/N</p>  <p>D×1 TOP SHELF RAIL - REAR</p>
<p>Holes for PART H & J/N</p>  <p>E×1 TOP SHELF RAIL - FRONT</p>	 <p>F×2 TRIM</p>	 <p>G×6 BASKET TRACK set</p>	 <p>H×2 POST</p>
 <p>I×2 TOP RAIL</p>	 <p>J×1 BELT</p>	 <p>K×12 ∅6×58mm 58MM BOLT</p>	
 <p>L×3 SETS LARGE BASKET AND BOTTOM</p>	 <p>M×2 MIDDLE BASKET TRACK</p>	 <p>N×1 METAL BAR</p>	 <p>O×1 VINYL/FOAM PAD</p>
 <p>P×3 SETS SMALL BASKET AND BOTTOM</p>	 <p>Q×8 ∅6×40mm 40MM BOLT</p>	 <p>R×2 ∅4×20mm SCREW</p>	 <p>S×4 WOOD PEG</p>
 <p>T×12 ∅6×12mm BARREL NUT</p>	 <p>U×12 PLASTIC PEG</p>	 <p>V×1 TOP SHELF</p> <p>W×1 BOTTOM SHELF</p>	 <p>X×4 ∅6×55mm 55MM BOLT</p>
 <p>Y×4 ∅6×45mm 45MM BOLT</p>	 <p>Z×2</p> <p>WRENCH</p>	 <p>ALLEN WRENCH SAVE THIS WRENCH FOR FUTURE USE!</p>	 <p>PHILLIPS SCREWDRIVER (NOT INCLUDED)</p>

1

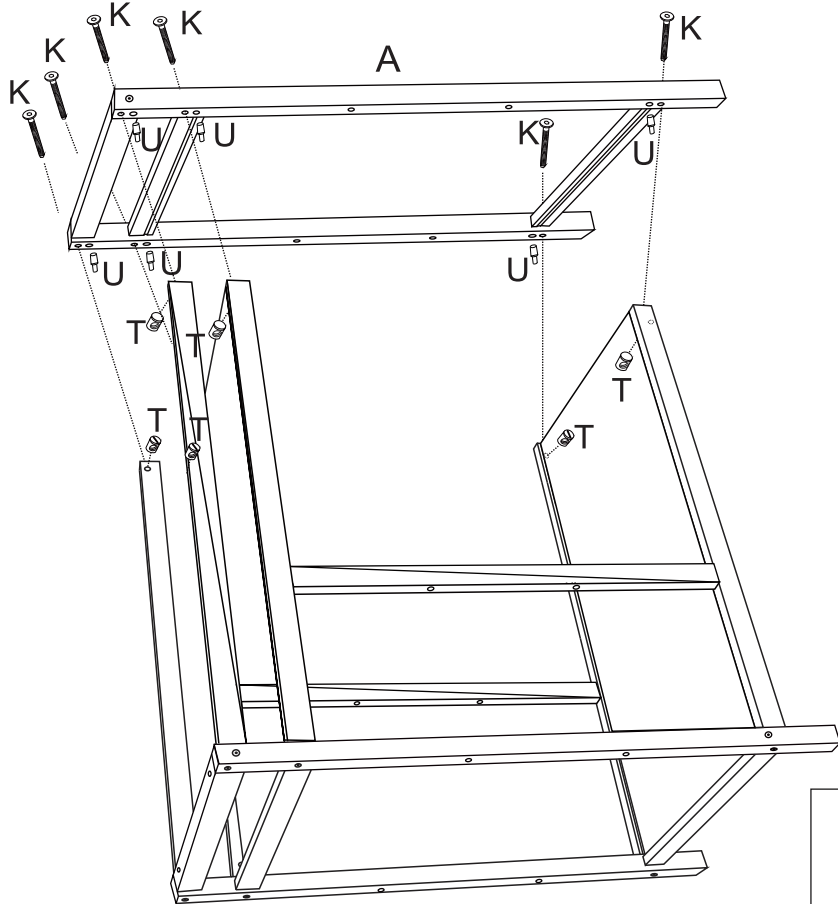
HOLES ON THE TOP SIDE OF (B) AND (C) ARE USED FOR THE POST (H) AND THEY MUST FACE UP WITH THE SHELF TRACK FACING IN. HOLES ON THE UNDERSIDE OF (D) AND (E) ARE USED FOR THE POST (H) AND FOR THE SAFETY BELT (J) AND THEY MUST FACE DOWN WITH THE SHELF TRACK FACING IN. BE SURE THE POST (H) HOLES ON RAILS (B), (C), (D), AND (E) LINE UP FOR STEP 2.



2



3



T×6



U×6

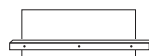
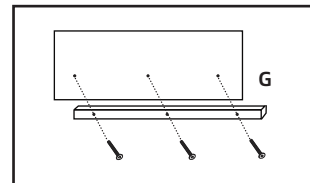
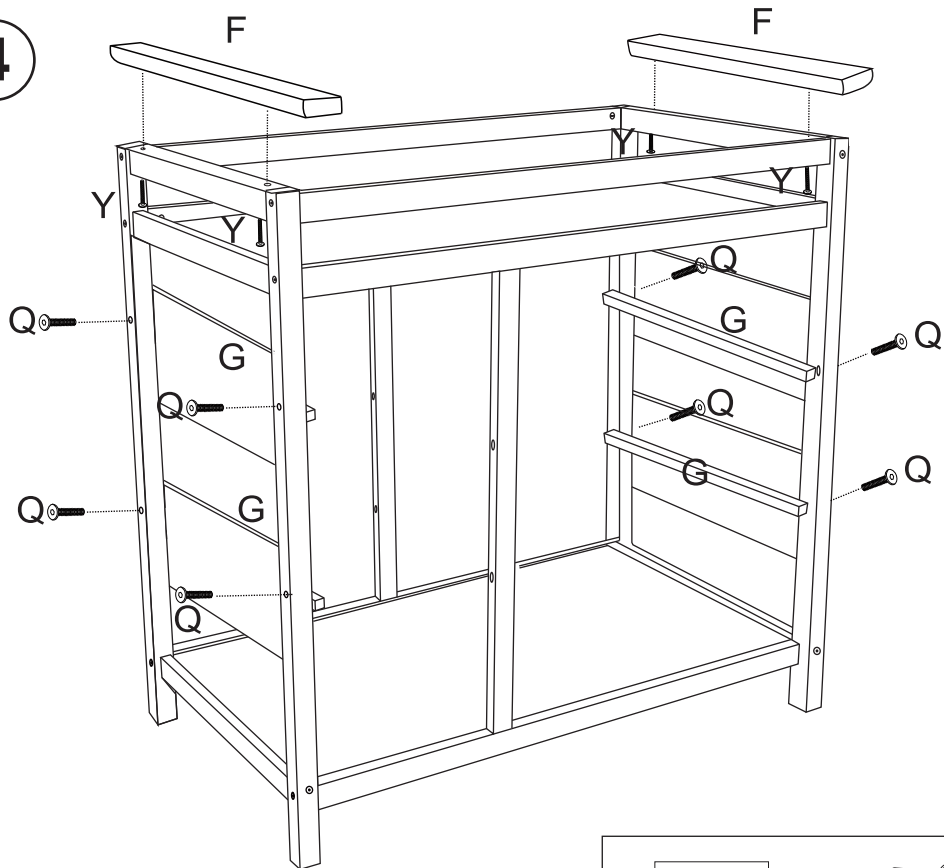


TOOL
ALLEN WRENCH



K×6
Ø6×58mm

4



G×4



Y×4
Ø6×45mm

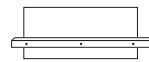
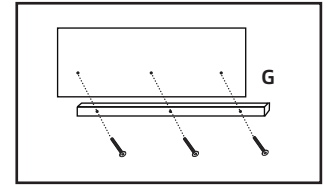
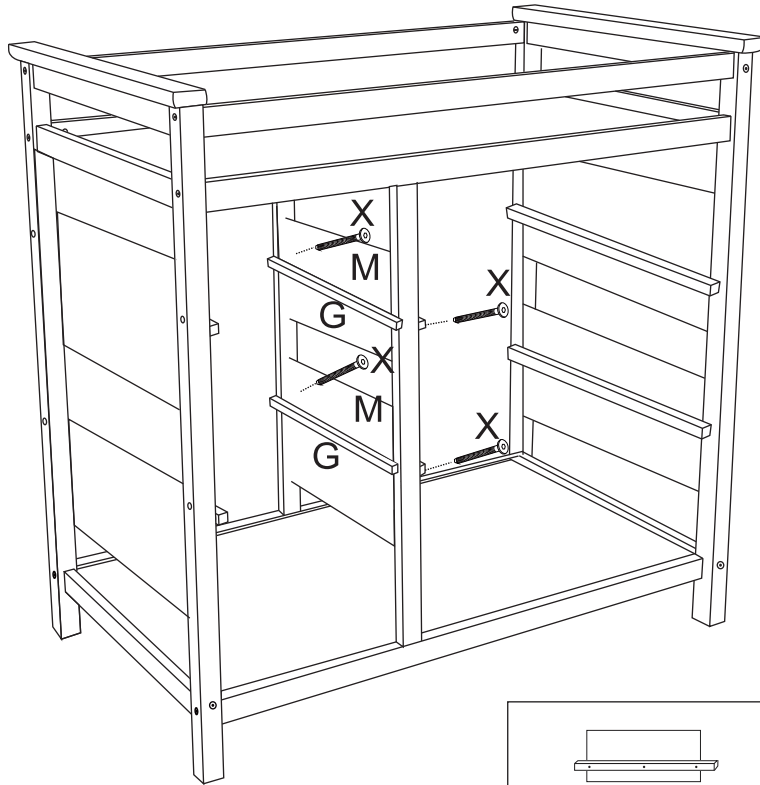


TOOL
ALLEN WRENCH



Q×8
Ø6×40mm

5



G x 2

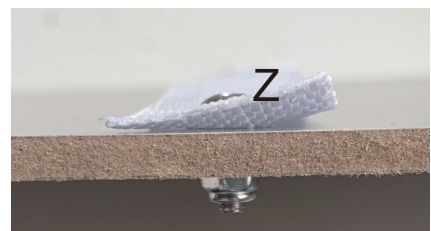
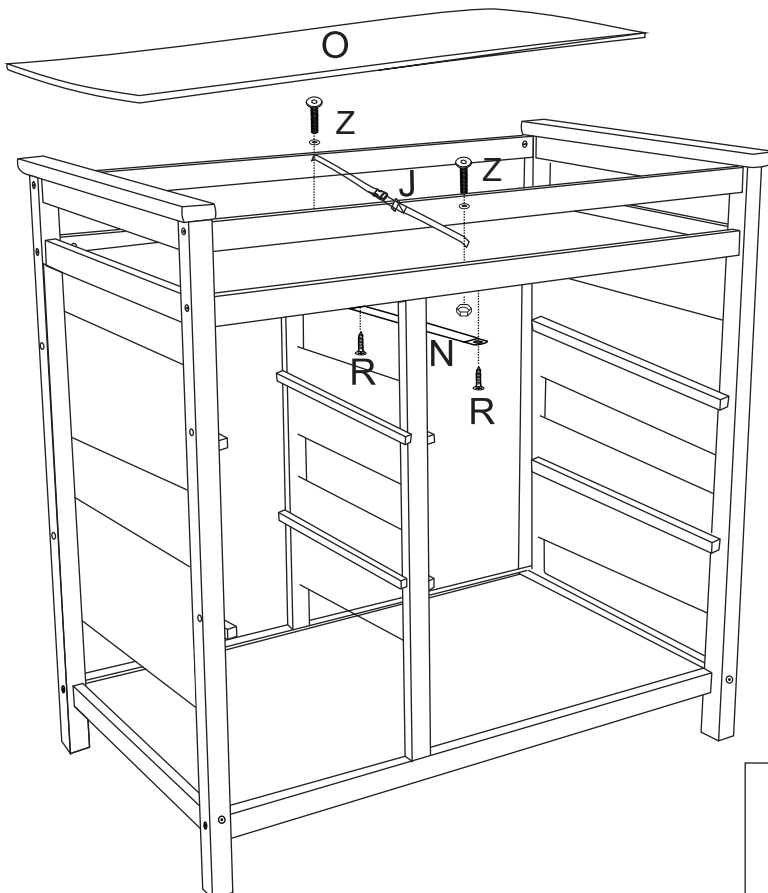


TOOL
ALLEN WRENCH



X x 4
Ø6x55mm

6



WRENCH

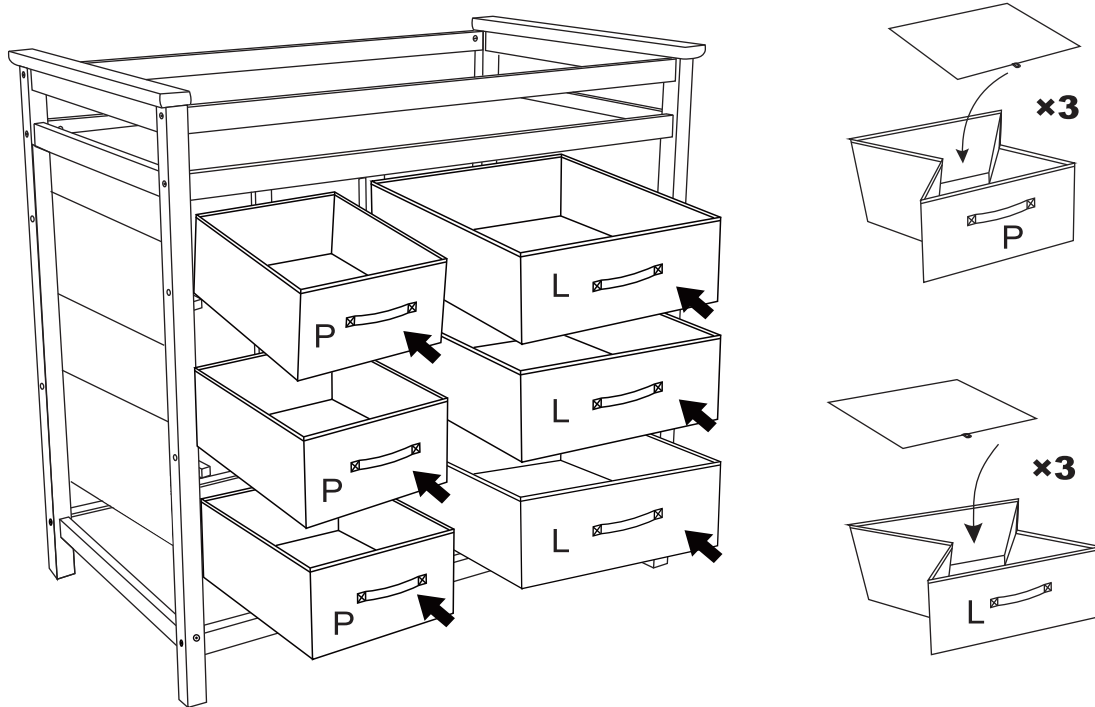


Z x 2



R x 2
Ø4x20mm

7



LARGE AND SMALL BASKETS CAN BE INSERTED FROM EITHER SIDE OF THE TABLE SO THAT YOU CAN CHOOSE TO HAVE THE LARGE BASKETS ON THE LEFT AND SMALL BASKETS ON THE RIGHT OR VICE VERSA, DEPENDING ON WHICH SIDE OF THE TABLE FACES FRONT. THE BASKETS ARE ALSO REVERSIBLE COLOR SO YOU CAN CUSTOMIZE THE LOOK OF YOUR TABLE.

BUCKLE CHILD SECURELY USING THE SAFETY BELT WHENEVER CHILD IS ON THE TABLE. UNCLIP AND SEPARATE THE BUCKLE BY SQUEEZING THE TABS ON THE SIDES TO RELEASE THE BUCKLE TONGUE FROM THE BUCKLE. PLACE CHILD ONTO CHANGING SURFACE AND SNAP THE BUCKLE AND BUCKLE TONGUE BACK TOGETHER. KEEP CHILD'S SKIN/BODY CLEAR OF THE BUCKLE WHEN SNAPPING AND UNSNAPPING TO PREVENT INJURY. BUCKLE IS NOT SECURELY FASTENED UNLESS YOU HEAR AN AUDIBLE "CLICK" TO INDICATE THE PARTS HAVE CONNECTED SECURELY TOGETHER.

NEVER ALLOW CHILD TO STAND UP ON THE TABLE DUE TO RISK OF FALLS AND INJURY OR DEATH. NEVER USE THE TABLE WITHOUT THE SAFETY BELT AND METAL SUPPORT BAR IN PLACE.

ALWAYS SECURE THE CHANGING PAD TO THE CHANGING SURFACE BY PLACING IT ONTO THE TOP SHELF AND ENSURING THAT IT'S UNDERNEATH, NOT ON TOP OF, THE SAFETY BELT.

If a changing pad is required to meet this consumer safety specification, include: This product is not intended to be used as a changing table without Changing pad. Use of the product without this may result in death or serious injury to your child from falling. Follow all instructions on attaching and using the Safety Belt.

Fall Hazard Children have suffered serious injuries after falling from changing tables. Falls can happen quickly.

- **STAY** within arms reach.
- **ALWAYS** secure this unit to the support surface by Safety Belt. See instructions.