

Table Lamp with Fabric Shade

(Bulb included)

Table Lamp Specifications:

Voltage: 120 V
Supportive Wattage: 6W
Base Type: E26
Power Source: Corded-electric
Plug Type: US Plug
Material: Iron+Fabric
Lampshade: Color FX
USB Charging Ports: 2
Wire Length: 180CM/ 6ft
Switch Type:ON-OFF

Easy Installation:

- Step 1. Install the lamp holder onto the lamp body ① .
- Step 2. Install the included bulb ② .
- Step 3. Place the harp③ onto the saddle.
- Step 4. Attach the lampshade ④ on the harp and screw the finial ⑤.
- Step 5. Plug the power source. Touch the base to adjust the brightness.

Package Included:

- 1 x Lampshade
- 1 x Lamp Base
- 1 x LED Bulb
- 1 x User Manual

Note:

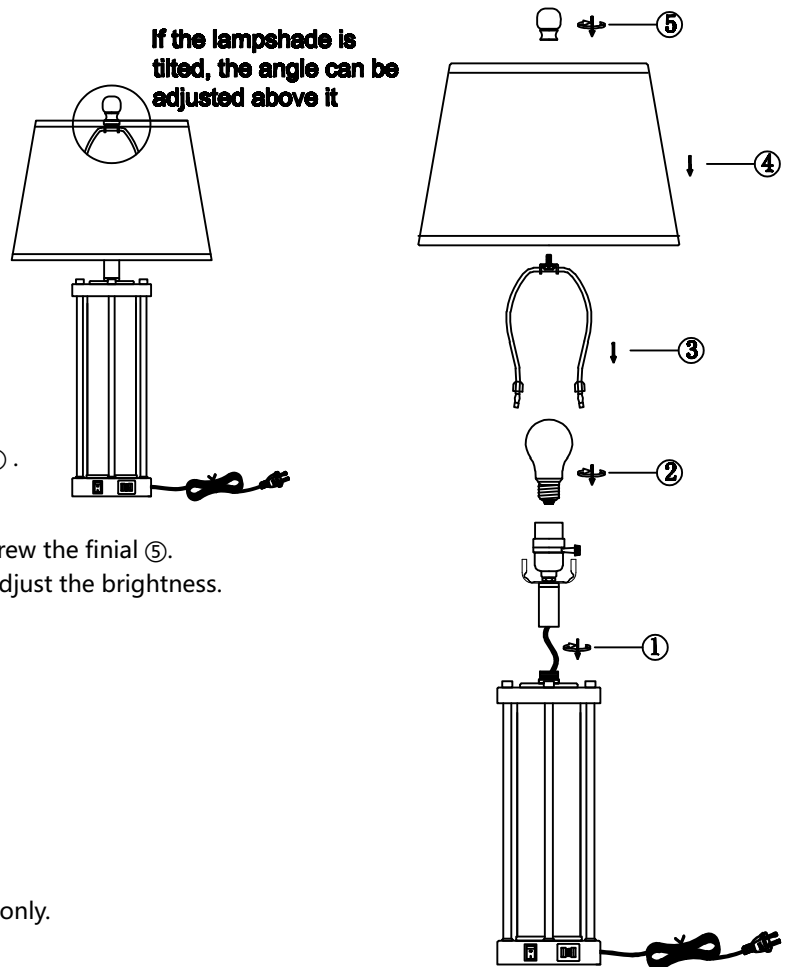
This product is NOT waterproof and for indoor use only.

After Sales-Services Guaranteed

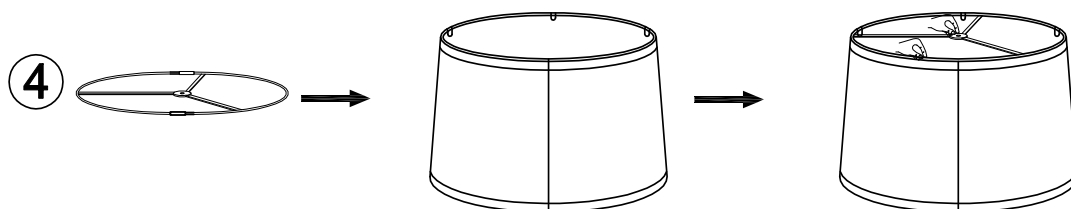
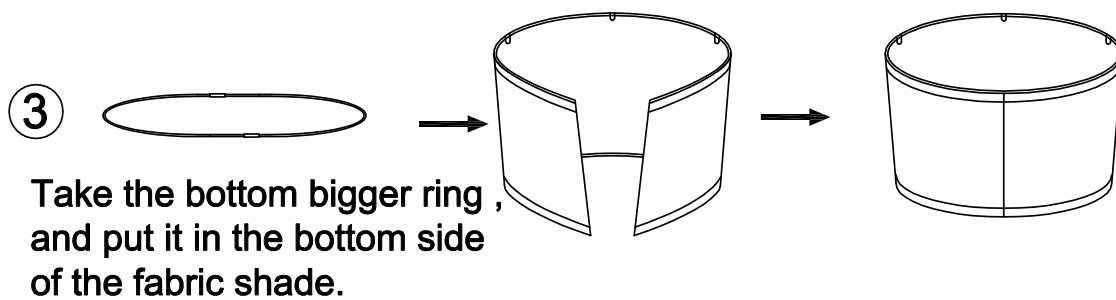
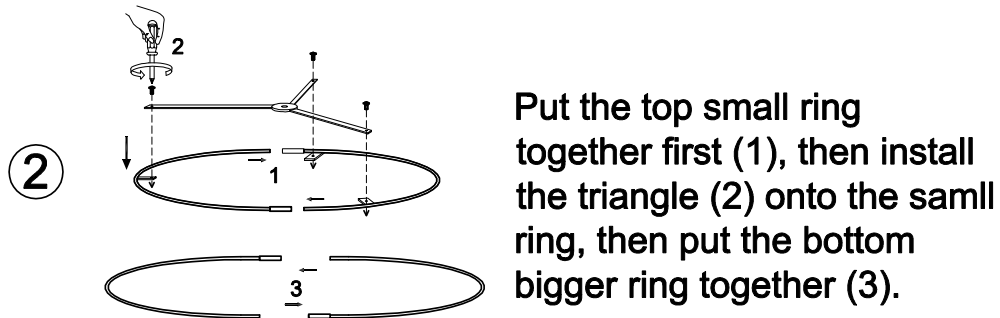
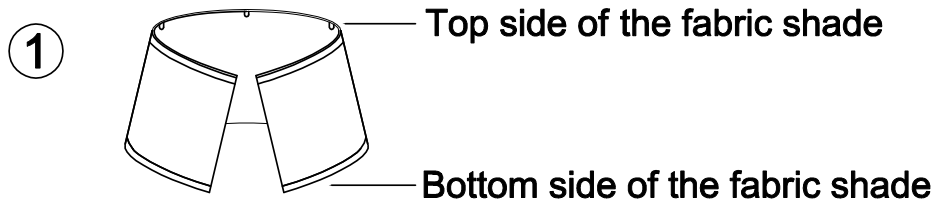
24- Month warranty service is guaranteed after the date of purchase, if you have any problems with our product, please feel free to contact us via e-mail at [with order ID](#), attached pictures for detailed problems will be more helpful for us to resolve the issue.

Warranty

- 1) During the warranty service, we provide either new replacement or refund for customers who use the products according to the user manual
- 2) This warranty does not cover:
 - A. Failure or damage due to improper use, repair or remodeling
 - B. Failure or damage because of falling
 - C. Failure or damage caused by fire, earthquake, flood, lightning or other natural disasters
 - D. Failure or damage when used other than its intended use
 - E. Failure or damage caused by the third-party products other than this product



Shade assembly steps below:



Take the top small ring, and put it in the top side of the fabric shade, then finish the shade installation.

ATTENTION: if you put the two rings in the wrong side of the fabric shade, you can take out the ring again, then exchange to put the other side of the shade.

