



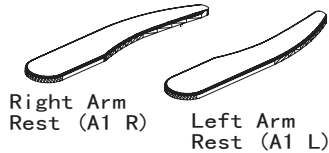
KIT ADIRONDACK CHAIR KIT

CARE INSTRUCTIONS

This is an Unfinished, Solid Fir Wood Adirondack Chair. It is **HIGHLY RECOMMENDED** that you treat the chair with a **WEATHERPROOF COATING (stain or paint)** before use, and continued once a year, to increase the life expectancy and maintain the look of the chair. Please consult with your local hardware store on the weatherproof coating options for the chair.

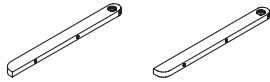
- Cover the Adirondack Chair during harsh weather to keep it from weathering.
- Rinse any panels with water to clean.
- When assembling ADIRONDACK FURNITURE, please handle all panels and/or hardware with care to avoid any possibilities of damages and/or injuries.

CHAIR COMPONENTS



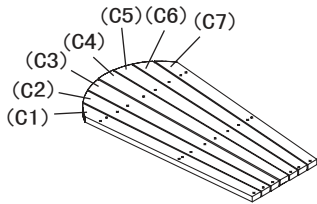
Right Arm Rest (A1 R)

Left Arm Rest (A1 L)

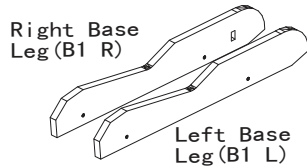


Left Arm Rest Bracket (A2 L)

Right Arm Rest Bracket (A2 R)



Back Rest Panels



Right Base Leg (B1 R)

Left Base Leg (B1 L)



Top Back Rest Cross Beam (C8)



Middle Back Rest Cross Beam (C9)



Bottom Back Rest Cross Beam (C10)



Bass Bottom Support (B4)



Seat Slats (B5) x5



Front Seat Slat (B3)



Base Legs Cross Beam (B2)



Arm Rest Connection (D) x2



Folding Bracket (E) x2

Front Leg Cross Beam (F2)

Right Front Leg (F1 R)

Left Front Leg (F1 L)

HARDWARE

- (a) (59 pcs + 3 spare)
- (b) (4 pcs + 1 spare)
- (c) (6 pcs + 1 spare)
- # 13mm

NOTES: Read all instructions before starting.

Do not completely tighten all bolts until the unit is fully assembled.

TOOLS RECOMMENDED

*Powerdrill



1

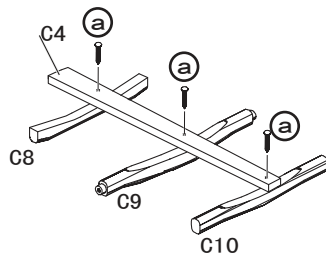
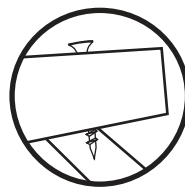
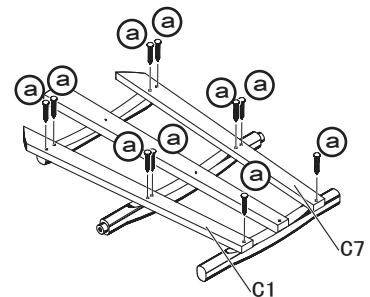


Figure 1



- Place Back Rest Cross Beams in order.
- Insert (a) screws partially through Back Rest Panel C4. See Figure 1.
- Position screw ends on pre-marked center points on Back Rest Cross Beams.
- Secure into place.

2

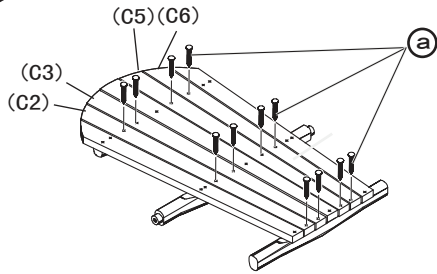


- Position Back Rest Panels C1 and C7 into place with (a) screws and secure.



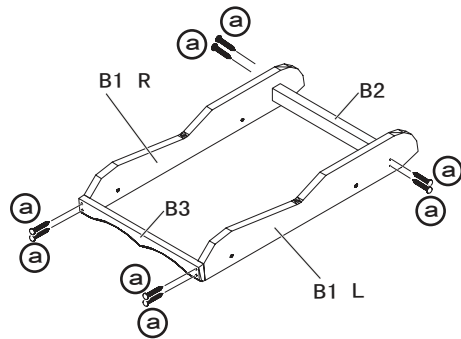
KIT ADIRONDACK CHAIR KIT

3



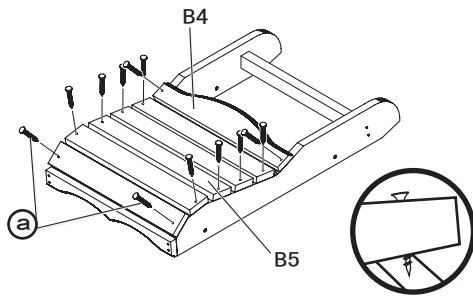
- Position remaining Back Rest Panels into place with (a) screws and secure.

4



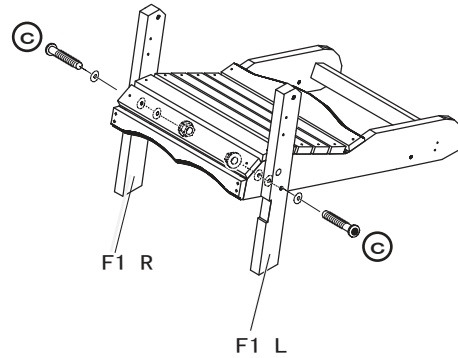
- Insert Base Leg Cross Beam (B2) into Left and Right Base Legs (B1 L & B1 R).
- Secure with (a) screws.
- Secure Front Seat Slat (B3) to Base Legs with (a) screws.

5



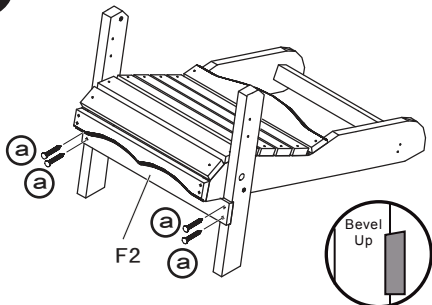
- Position Base Bottom Support (B4) into place on Base Legs and secure with (a) screws.
- Position all 5 Seat Slats (B5) into place and secure with (a) screws.

6



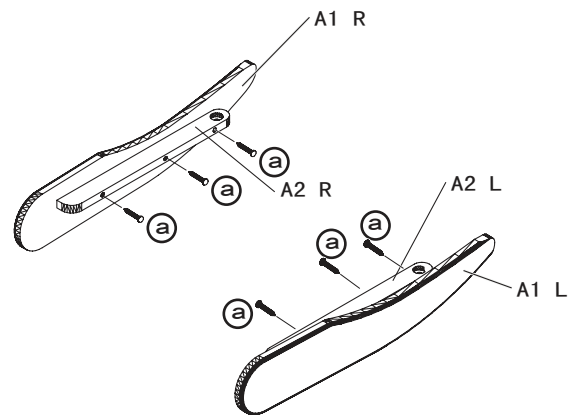
- Attach Left and Right Front Legs (F1 L & R) to seat base using (c) bolts.
- Note the position of the washers.
- Do not tighten bolts completely.

7



- Position Front Leg Cross Beam (F2) into place on Front Legs and secure with (a) screws.
- Note that the beveled edge of the front leg cross beam faces the top of the chair.

8

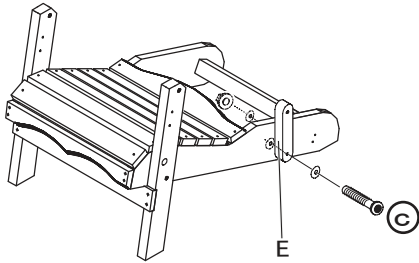


- Position Left and Right Arm Rest Bracket (A2 L & A2 R) into place on Left and Right Arm Rests (A1 L & A1 R) with (a) screws and secure.

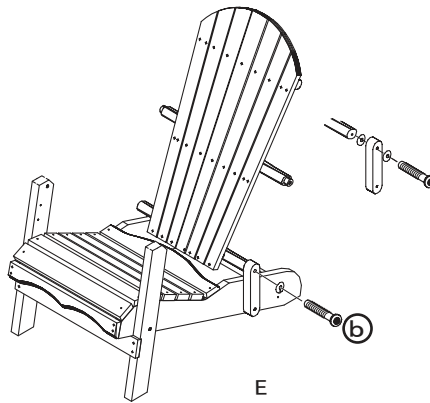


KIT ADIRONDACK CHAIR KIT

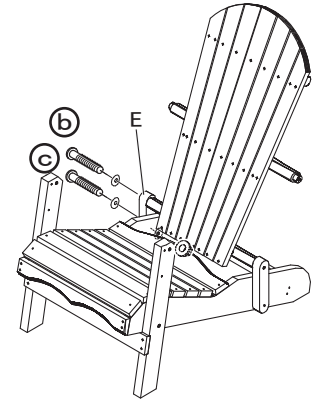
9



- Assemble one Folding Bracket (E) using (c) bolt with washers and nut.
- Note the position of the washers.
- Do not tighten bolt completely.

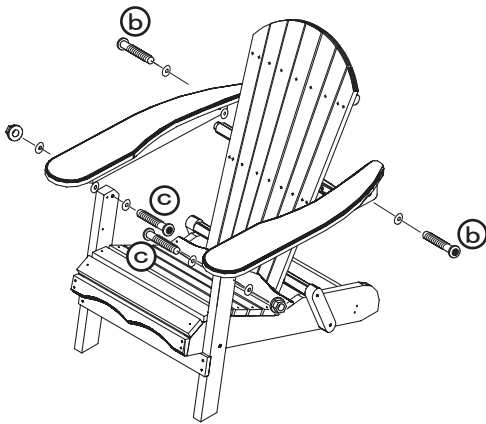


- Insert Bottom Back Rest Cross Beam into Folding Bracket and secure with (b) bolt with washer.
- Note the position of the washer.
- Do not tighten bolt completely.



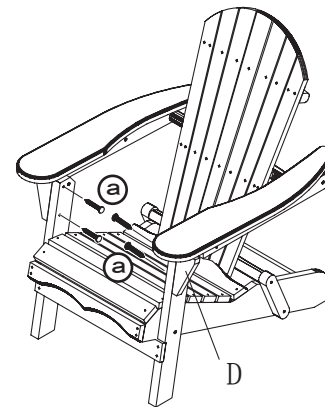
- Assemble remaining Folding Bracket onto other side using (c) and (b) bolts.
- Note the position of the washers.
- Do not tighten bolts completely.

10



- Secure back end of Right Arm Rest (A1 R) to the Middle Back Rest Cross Beam using (b) bolt with washer.
- Secure front end of Right Arm Rest to Front Leg using (c) bolt with washers and nut.
- Note the position of the washers.
- Repeat for Left Arm Rest.
- Do not tighten bolts completely.

11



- Secure Arm Rest Connections (D) at the front of the Left and Right Arm Rests using (a) screws.
- **TIGHTEN ALL BOLTS COMPLETELY** with chair on level surface.