
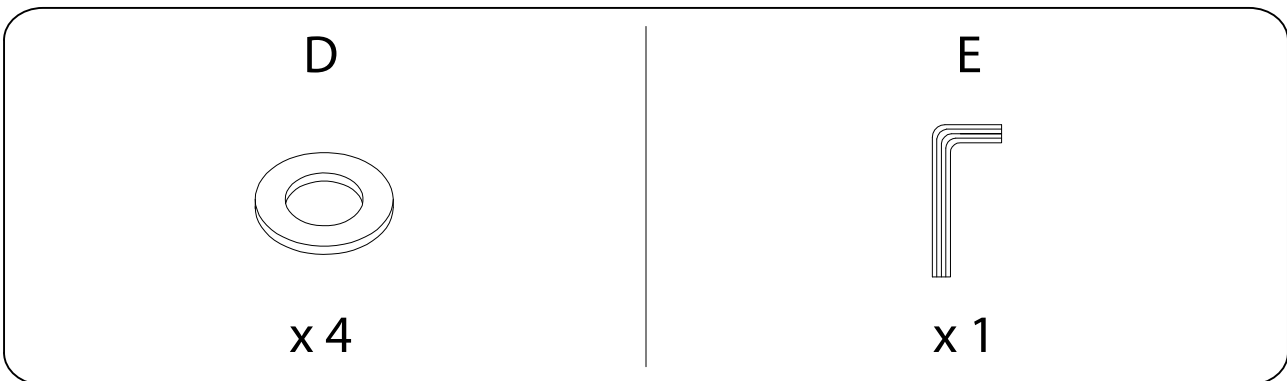
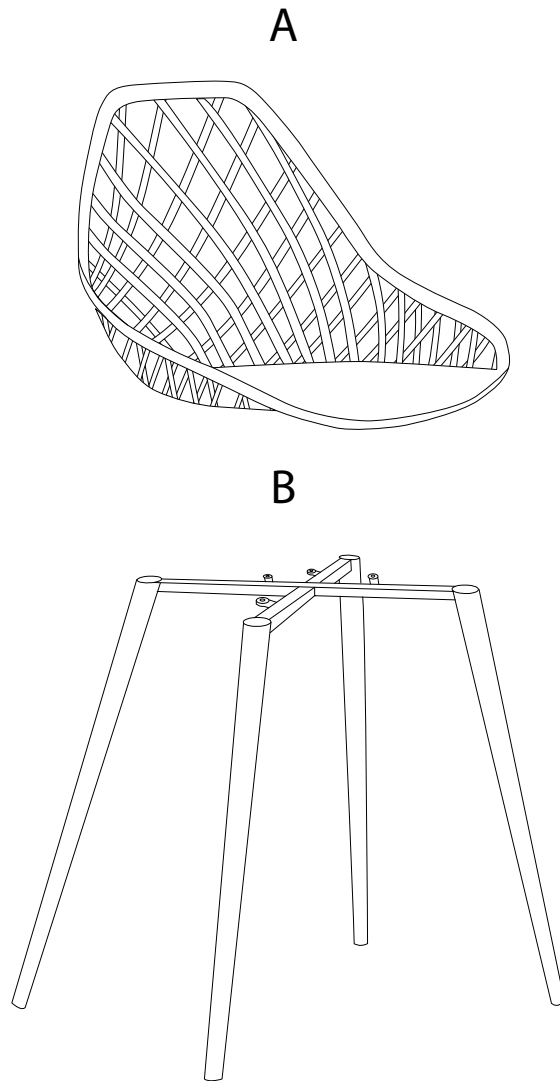
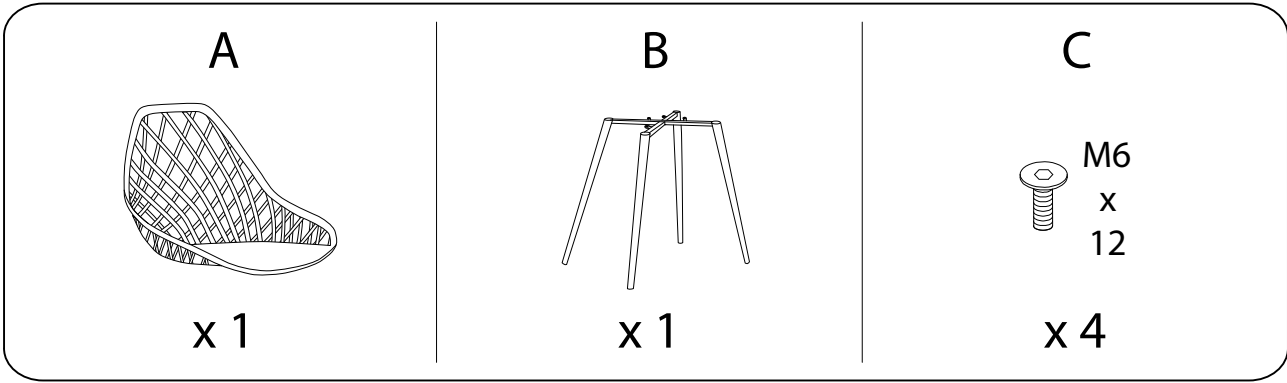
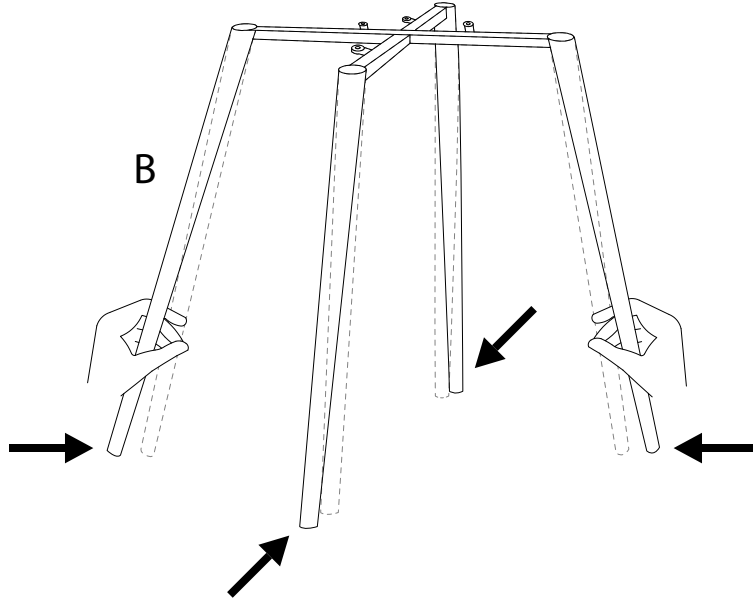
	10'
		
		1



!



1

A	B	C	D	E
x 1	x 1	M6 x 12 x 4	x 4	x 1

