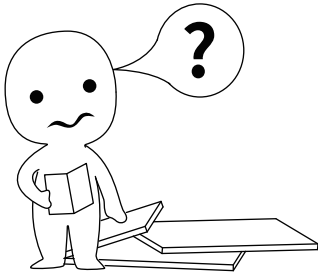


# **INSTALLATION**

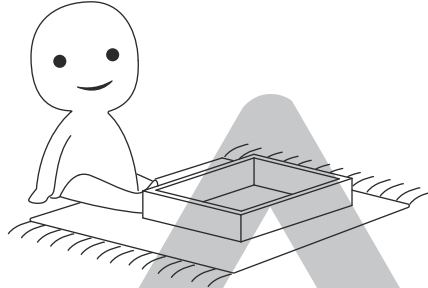
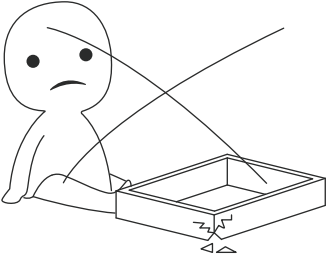
## *Product Manual*

Version: 210383US-01-26A-AA



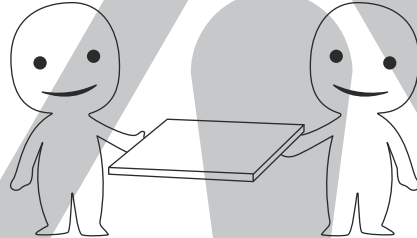
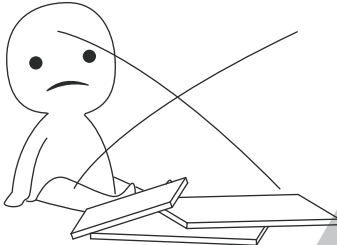
### IMPORTANT INFORMATION!

please read the entire manual before starting to assemble and/or using this product. follow the manual thoroughly and keep it for further reference.



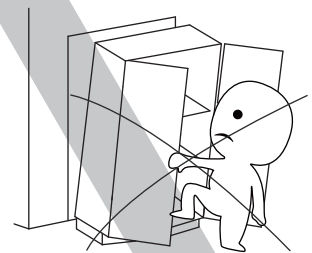
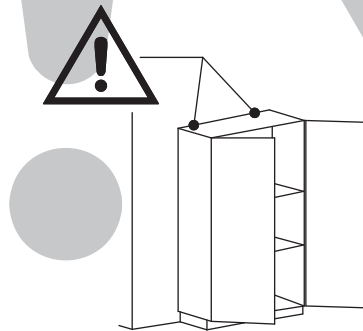
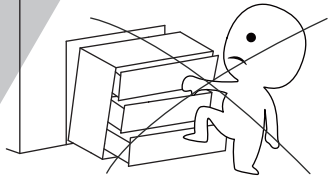
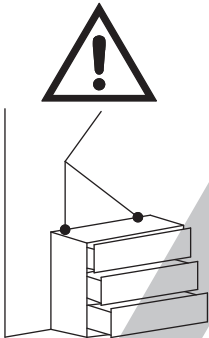
### AVOID SCRATCHES!

In order to avoid scratching this furniture should be assembled on a soft layer- could be a rug.



### IMPROVE EFFICIENCY !

Try to find a partner to install with you, which can speed up the installation efficiency and shorten the time.



### ANTI-TOPPLE WARNING !

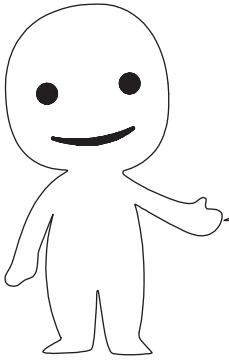
Overturned furniture can cause serious or fatal crush injuries. To prevent tipping over, be sure to use the wall attachment, if not included with this product. Please purchase the wall attachment that fit your wall. If unsure, seek professional advice. Please read and follow each step of the instructions carefully.

### IMPORTANT !

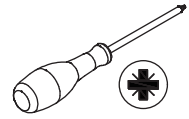
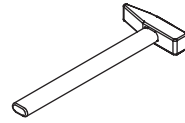
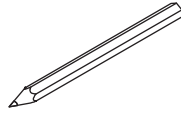
It is important that any product which is assembled using any kind of screw is re-tightened 2 weeks after assembly, and once every 3 months - in order to assure stability through-out the lifespan of the product.

For regular maintenance and cleaning of the product, for the frame, please use a rag dipped in neutral detergent to fully wipe it, and then dry it with a clean rag. For glass materials, wipe with a rag dampened with water glass cleaner, and then dry with a dry rag.




Do not use an electric screwdriver, and do not use too much force when installing, because the board is easy to break.

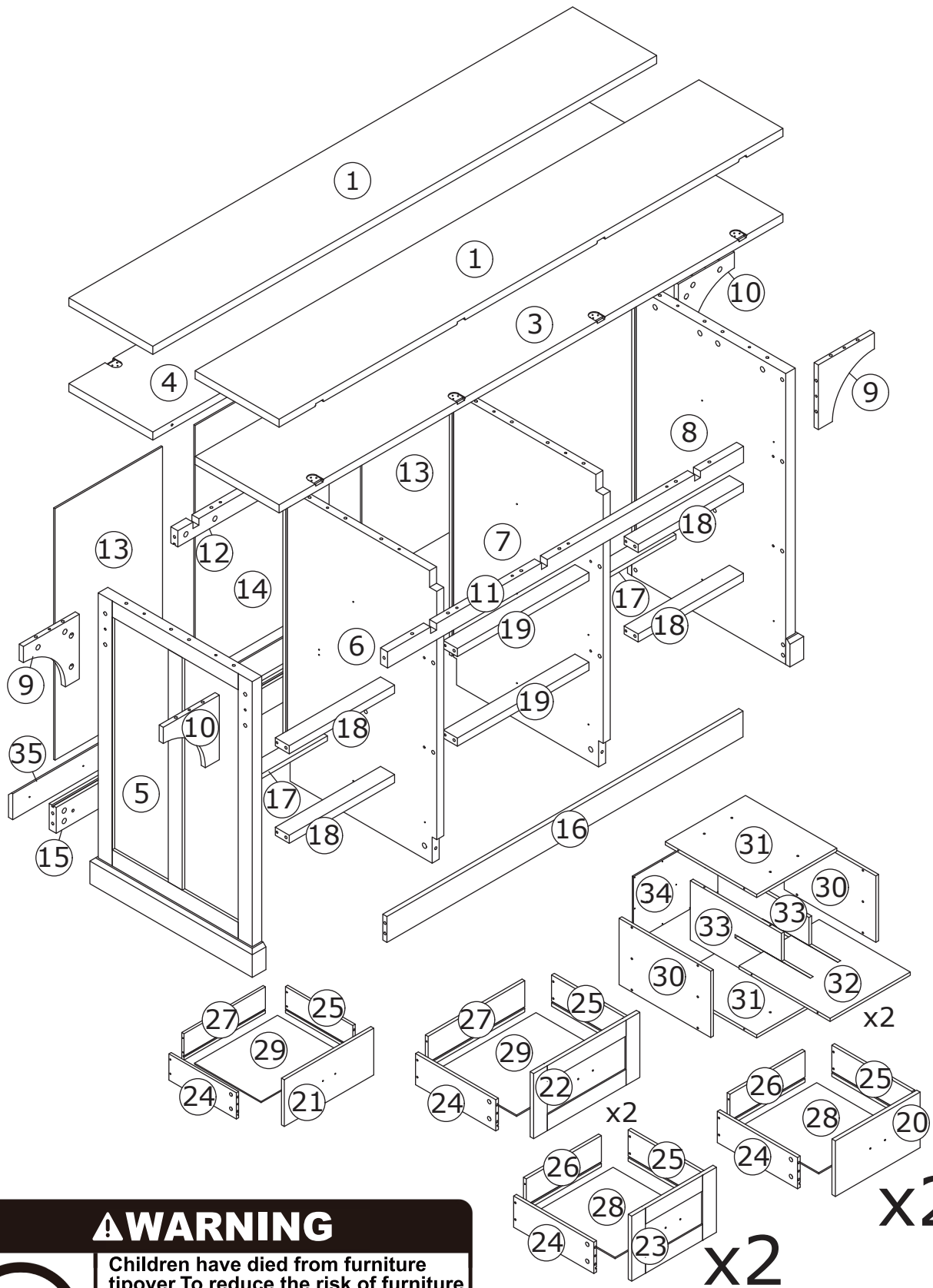


Please prepare the following tools



When installing, please carefully confirm whether each screw corresponds to the manual, accessories with similar shapes can be distinguished by size

<p>A x 100</p>  <p>CRA0635B</p>	<p>B x 100</p> 	<p>C x 100</p>  <p>CRB1595A</p>	<p>D x 68</p>  <p>CRC0540A</p>	<p>E x 61</p>  <p>CRF0630A</p>
<p>F x 7</p>  <p>WX1014A</p>	<p>G x 56</p>  <p>CRD3512A</p>	<p>H x 3</p> 	<p>J x 2</p> 	<p>K x 28</p>  <p>CRD3514A</p>
<p>L x 24</p>  <p>CRG0612A</p>	<p>M x 12</p> 	<p>N x 7</p> 	<p>P x 6</p>  <p>CRE0418A</p>	<p>Q x 8</p>  <p>CRE0408A</p>
<p>R x 8</p> 	<p>S x 48</p>  <p>CRD3520A</p>	<p>T x 6</p> 	<p>U x 18</p> 	<p>V x 18</p>  <p>CRD0314A</p>
<p>W x 26</p>  <p>CRE0316A</p>	<p>X x 7</p>  <p>CRD3535A</p>	<p>Y x 1</p> 		



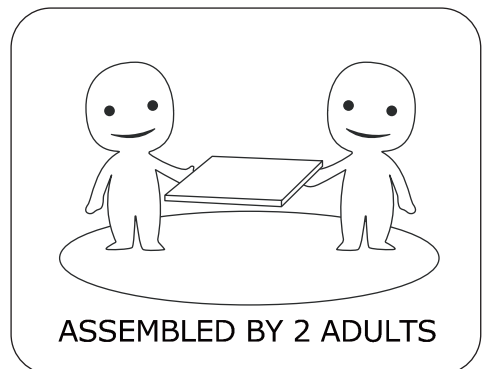
## ⚠ WARNING

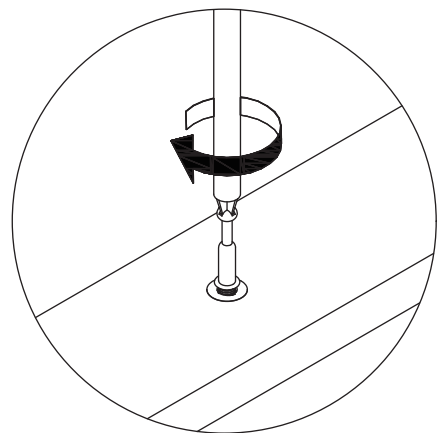
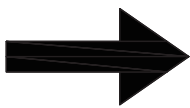
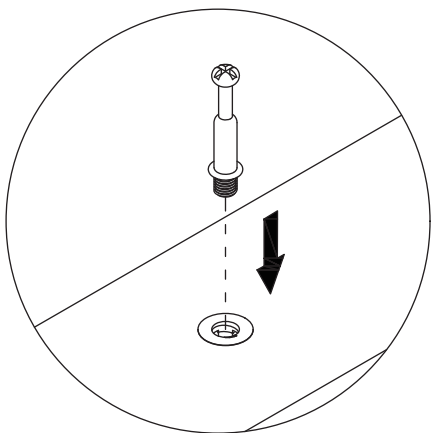
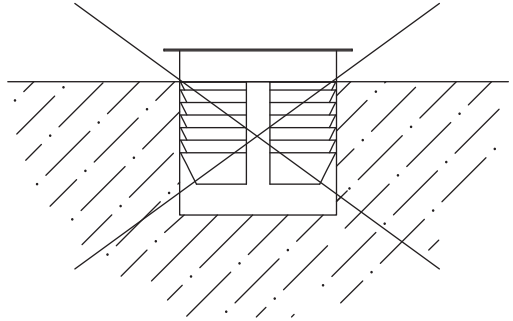
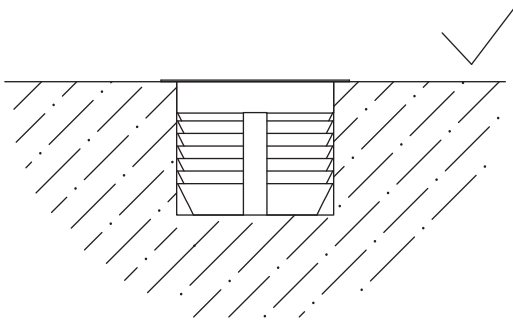
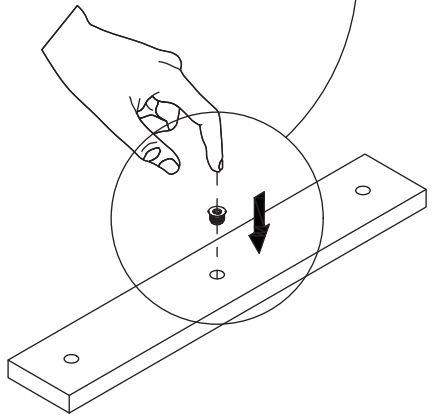
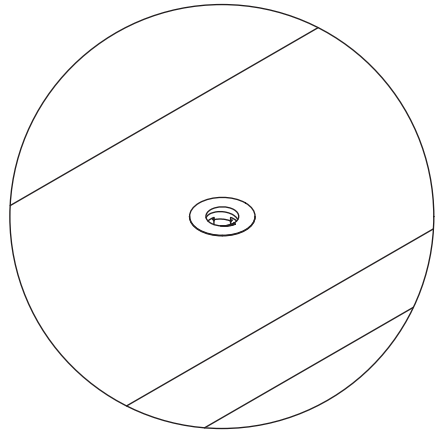
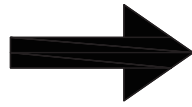
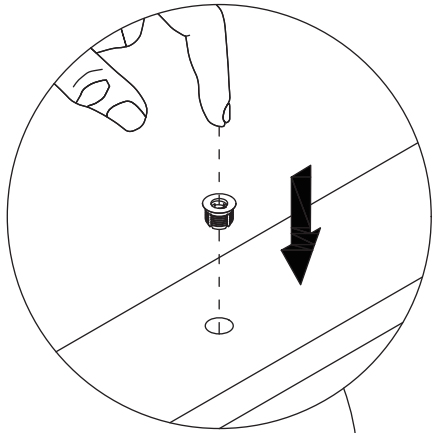


Children have died from furniture tipover. To reduce the risk of furniture tipover:

- ALWAYS install Anti-tip device provided.
- NEVER put a TV on this product.
- NEVER allow children to stand, climb or hang on drawers, doors, or shelves.
- NEVER open more than one drawer at a time.
- Place heaviest items in the lowest drawers.

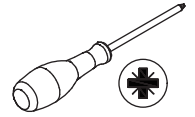
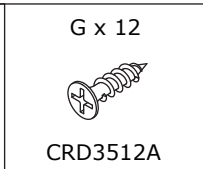
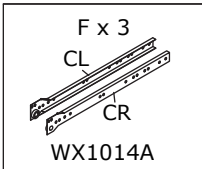
*This is a permanent label.  
Do not remove!*





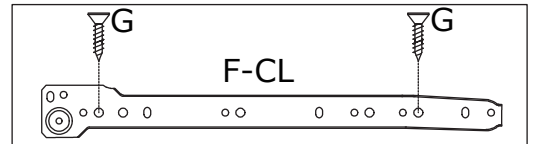
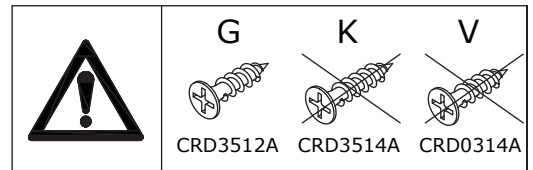
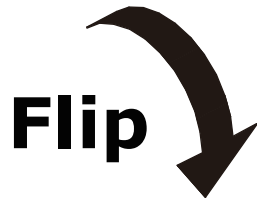
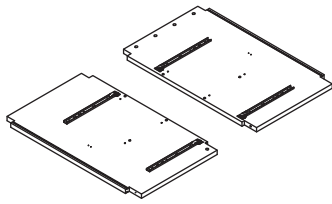


2

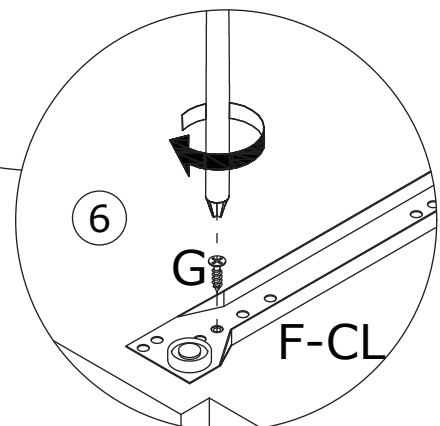
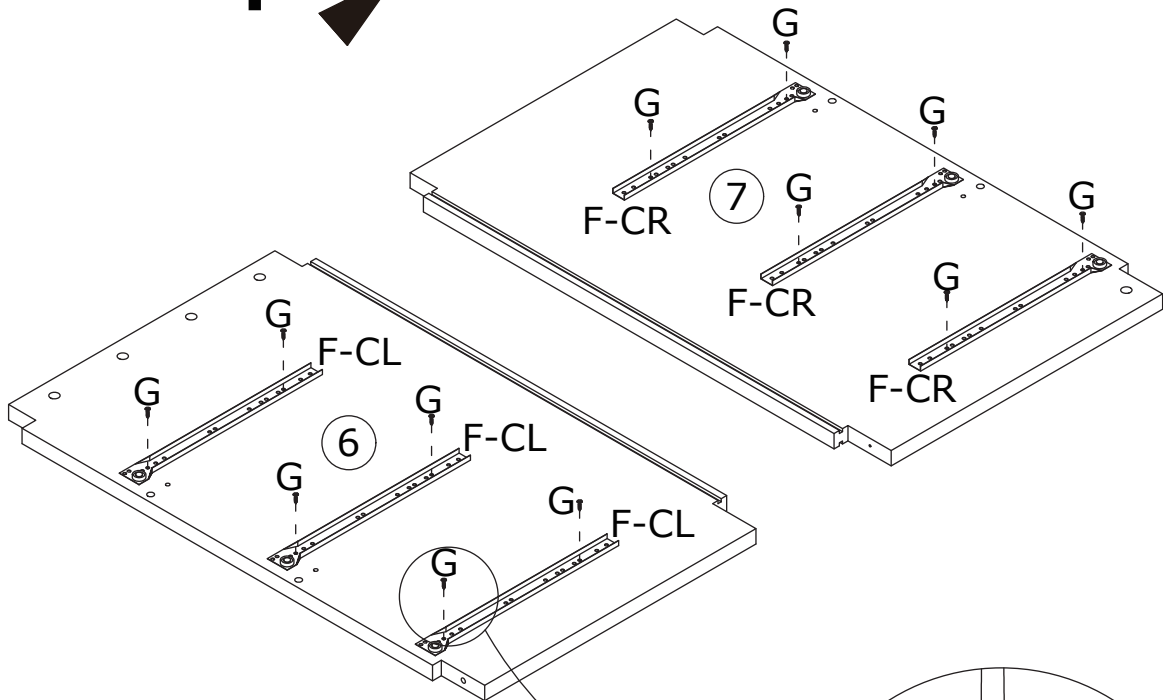


**Flip the two panels over.**

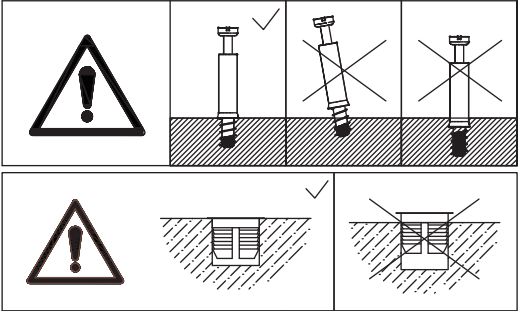
Secure slide rail (F-CL) and (F-CR) to panel 6 and 7 using screw (G).



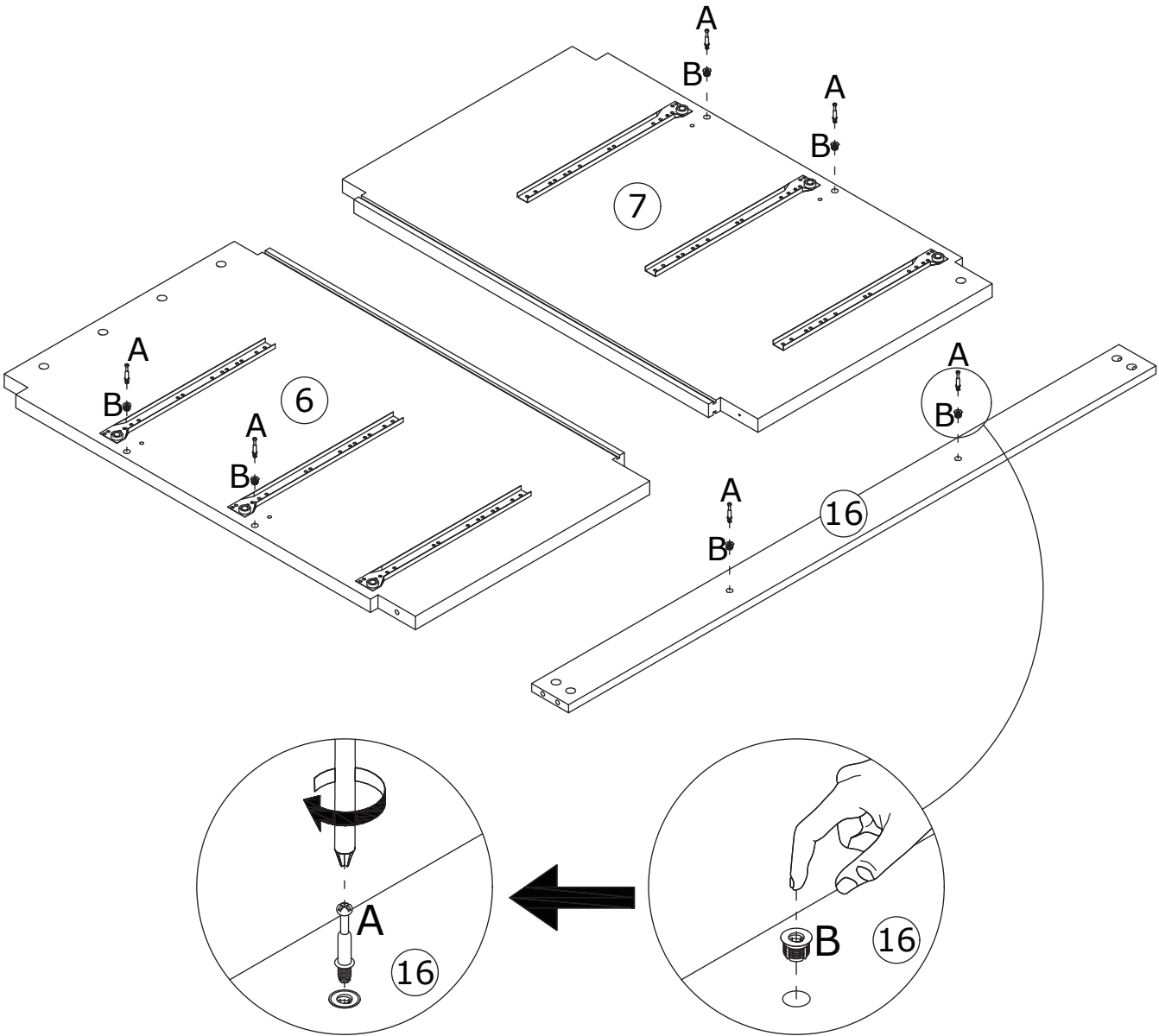
**Please note that the screws in this step are located in the 4th hole position.**



3



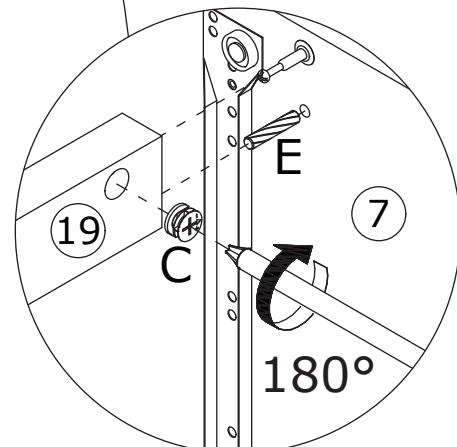
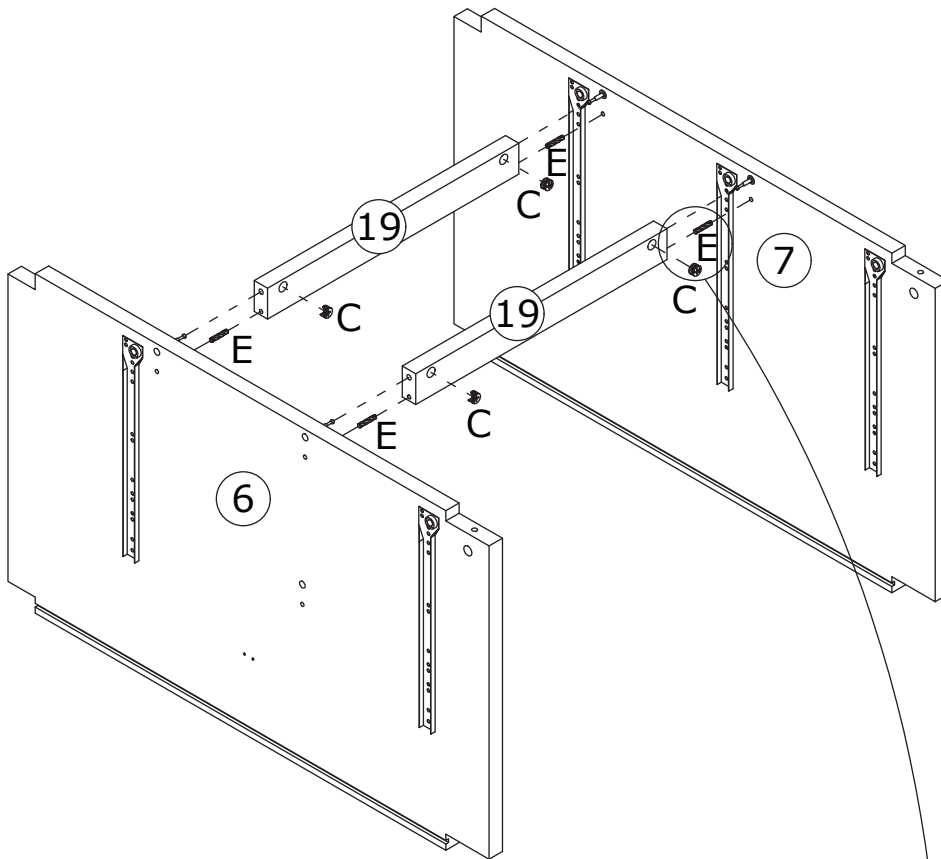
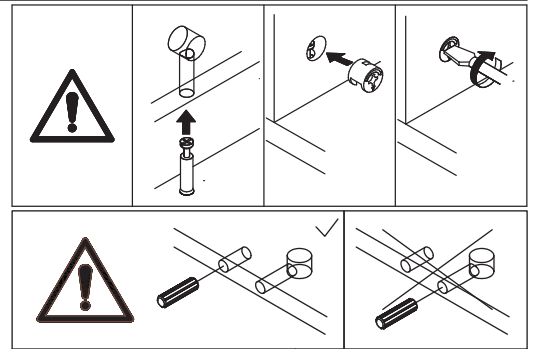
Insert plug (B) to panel 6, 7, and 16, then screw self-tapping rod (A) onto.



4

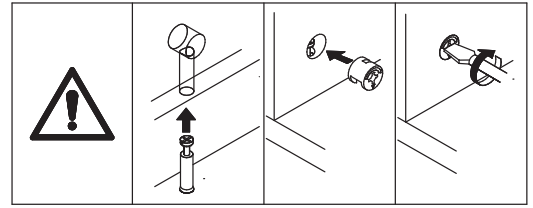
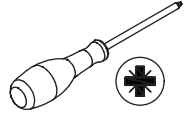
C x 4  CRB1595A	E x 4  CRF0630A	
--	--	---

Connect panel 19 to panel 6 and 7 using wooden dowel (E), then insert eccentric wheel (C) and tighten it by turning clockwise.

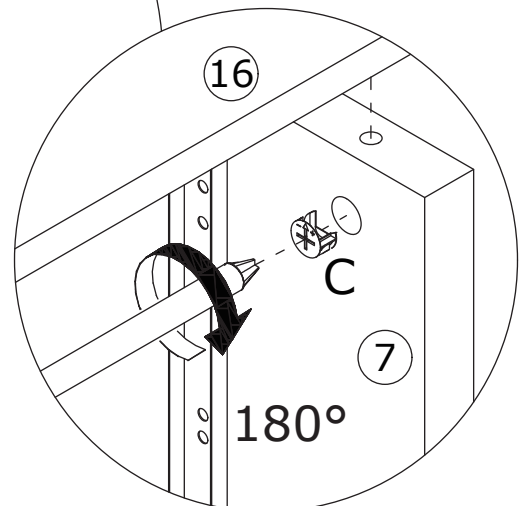
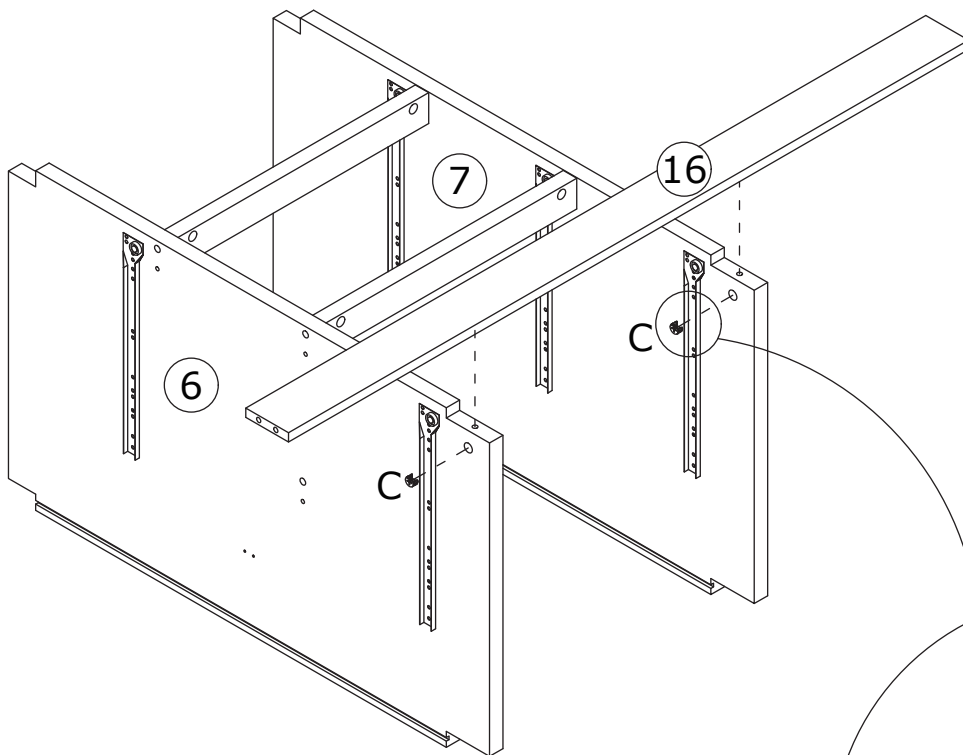


5

C x 2  
CRB1595A

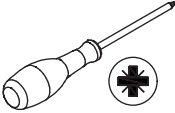


Connect panel 16 to panel 6 and 7, then insert eccentric wheel (C) and tighten it by turning clockwise.

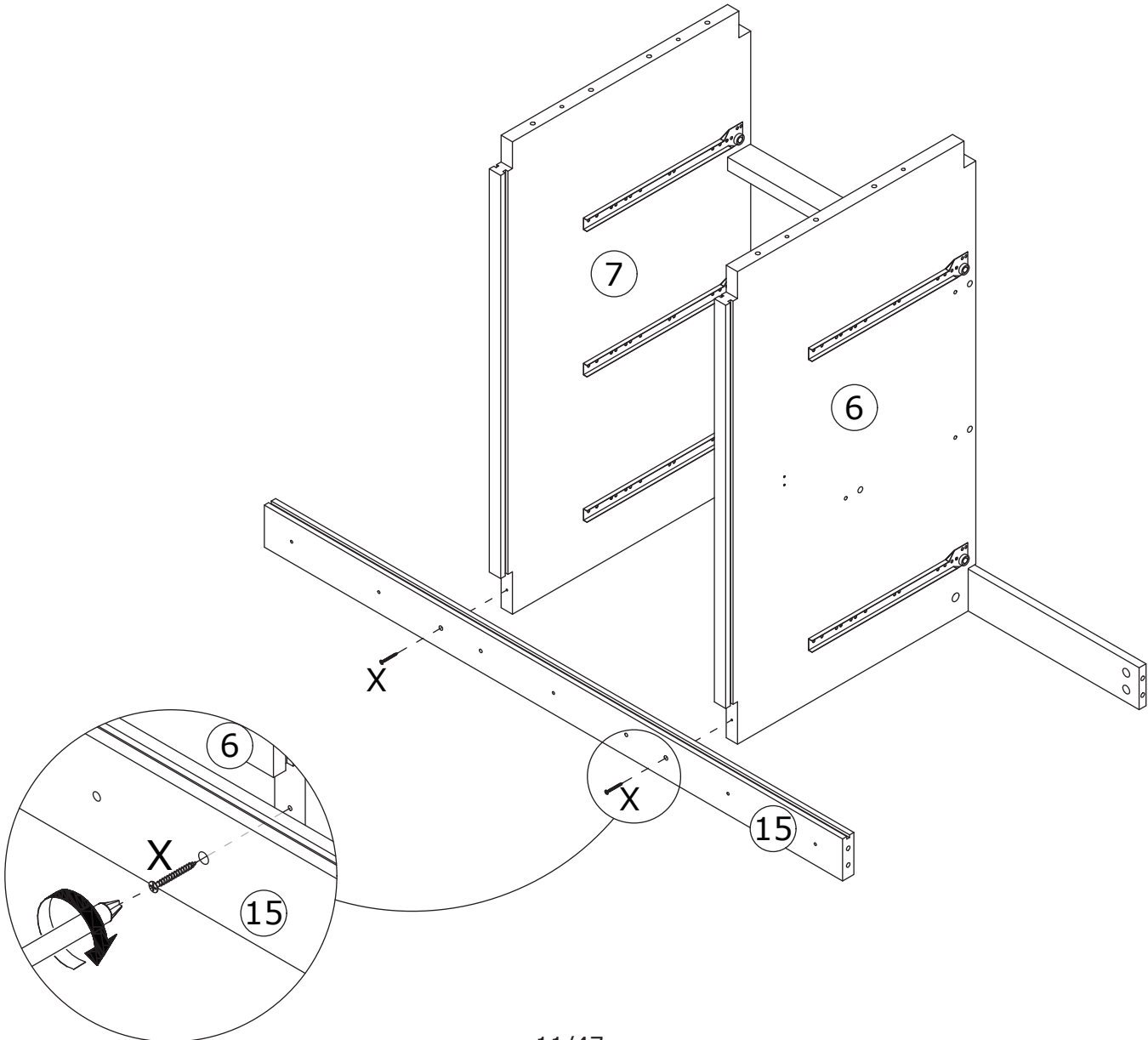


6

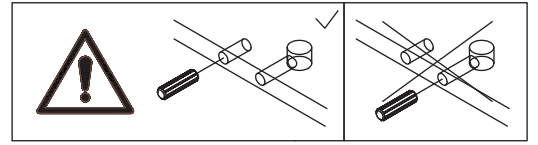
X x 2  
CRD3535A



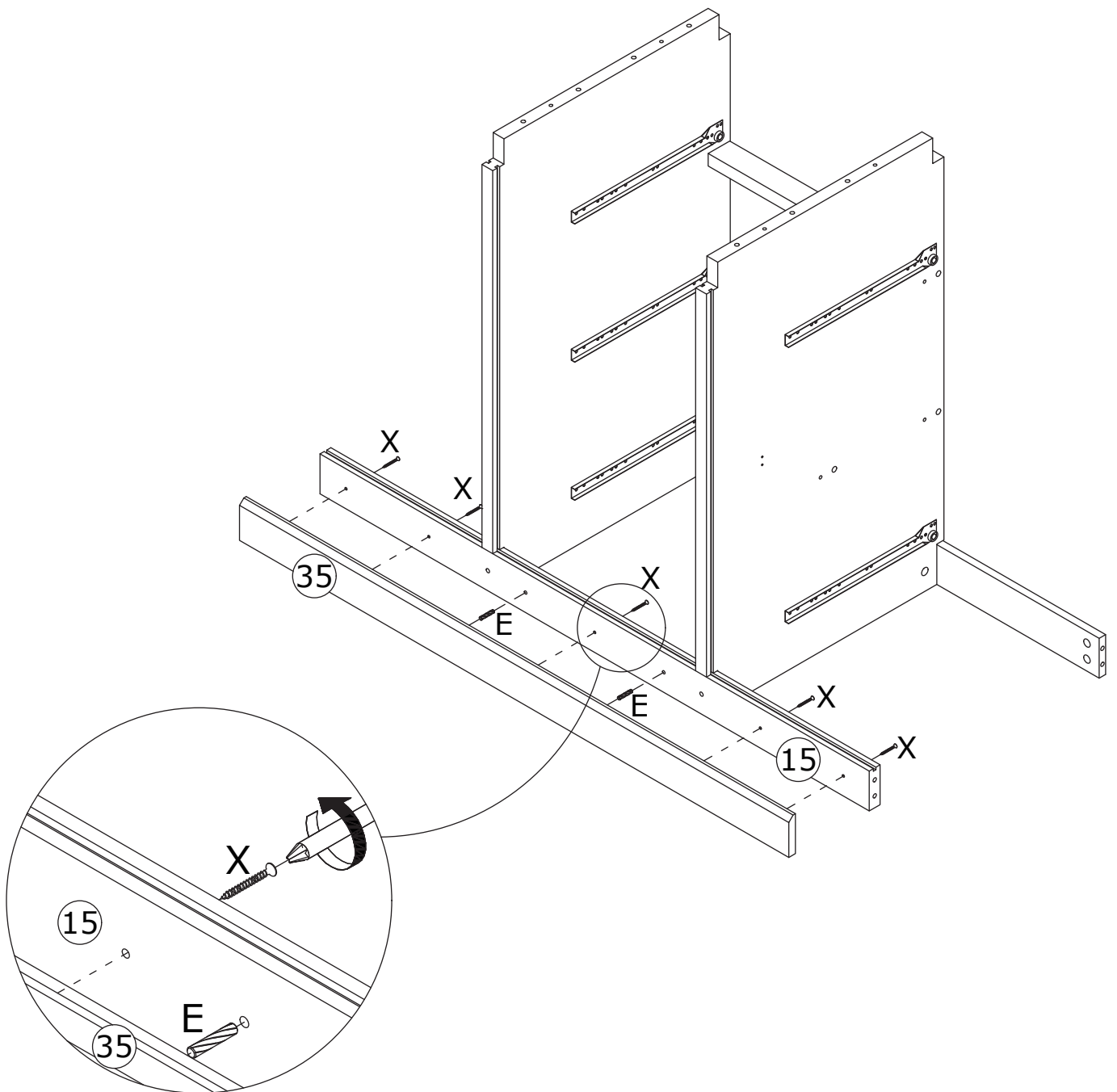
Secure panel 15 to panel 6 and 7 using screw (X).



7


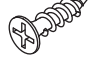
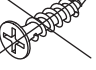
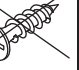


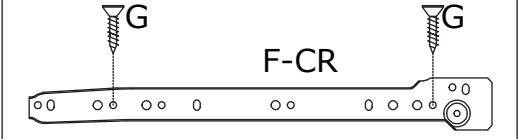
Connect panel 35 to panel 15 using dowel (E) and secure with screw (X).



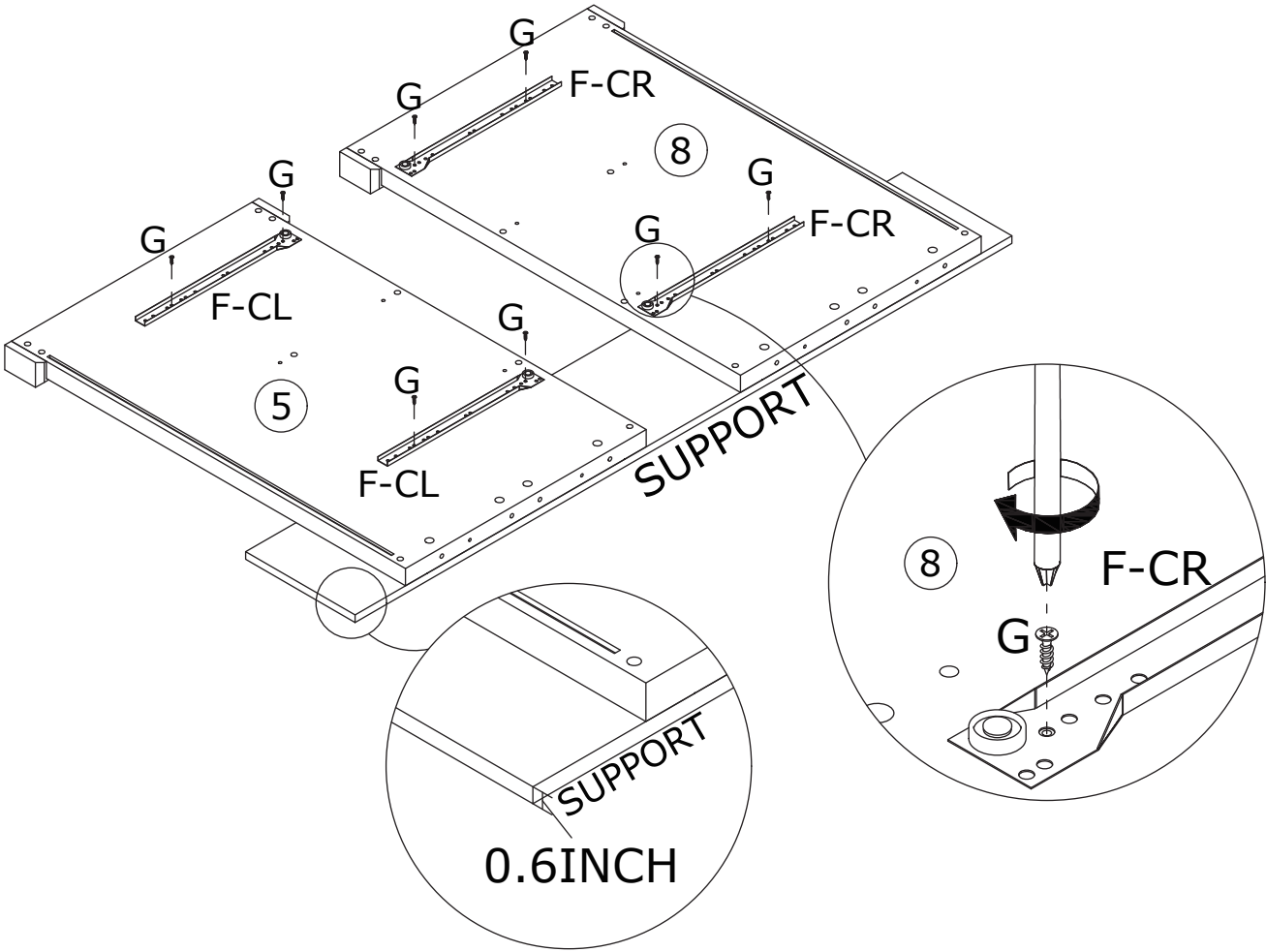
8

<p>F x 2 CL CR WX1014A</p> 	<p>G x 8 CRD3512A</p> 	
--	---	---

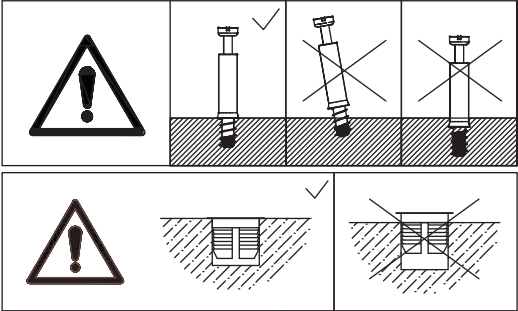
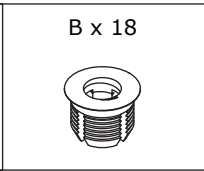
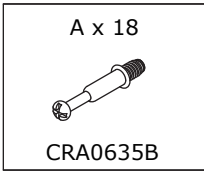
	<p>G</p>  CRD3512A	<p>K</p>  CRD3514A	<p>V</p>  CRD0314A
---	--	--	--



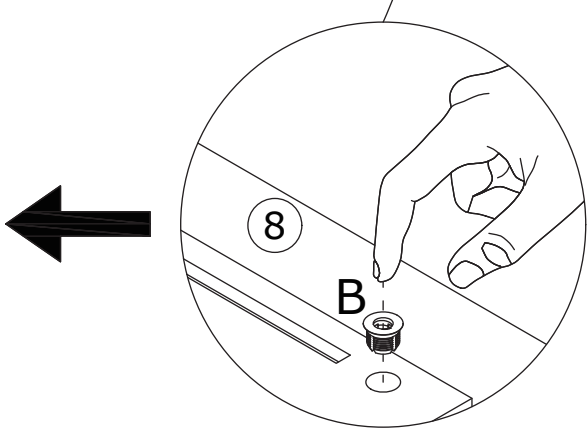
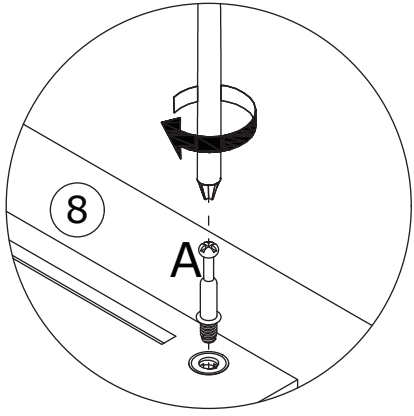
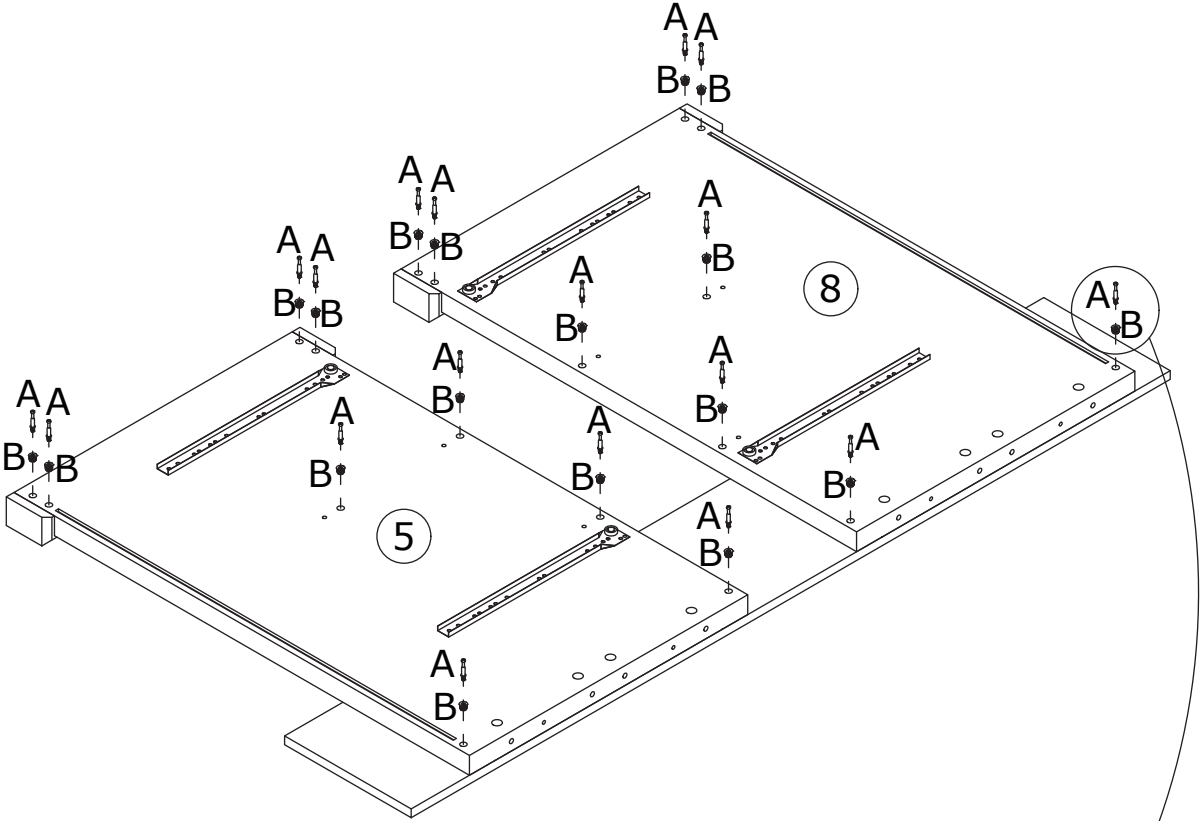
Secure slide rail (F-CL) and (F-CR) to panel 5 and 8 using screw (G).




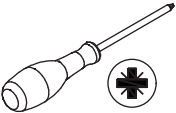
9



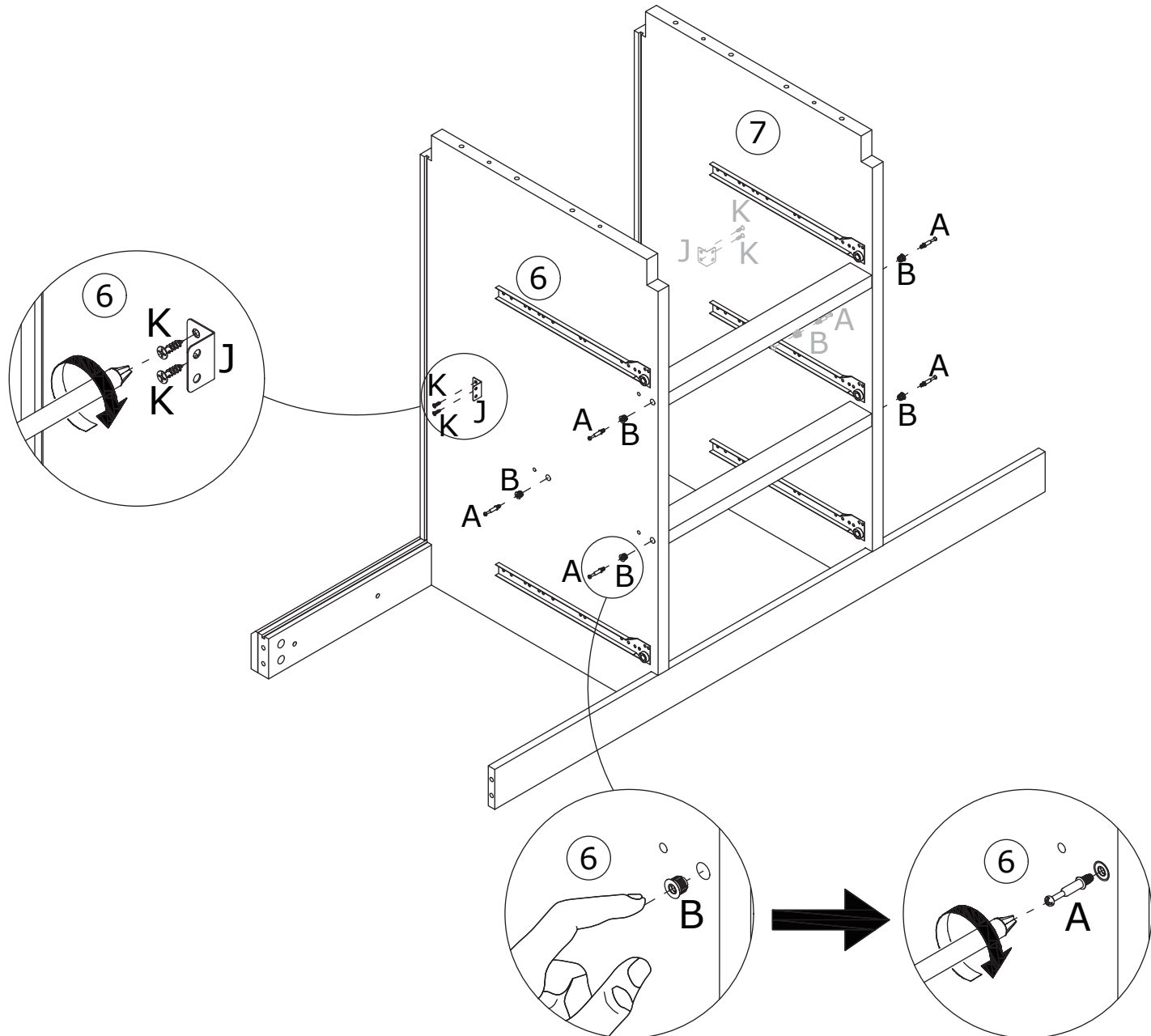
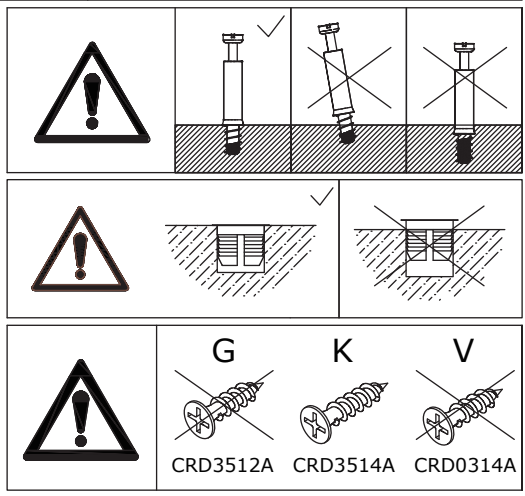
Insert plug (B) to panel 5 and 8, then screw self-tapping rod (A) onto.



10

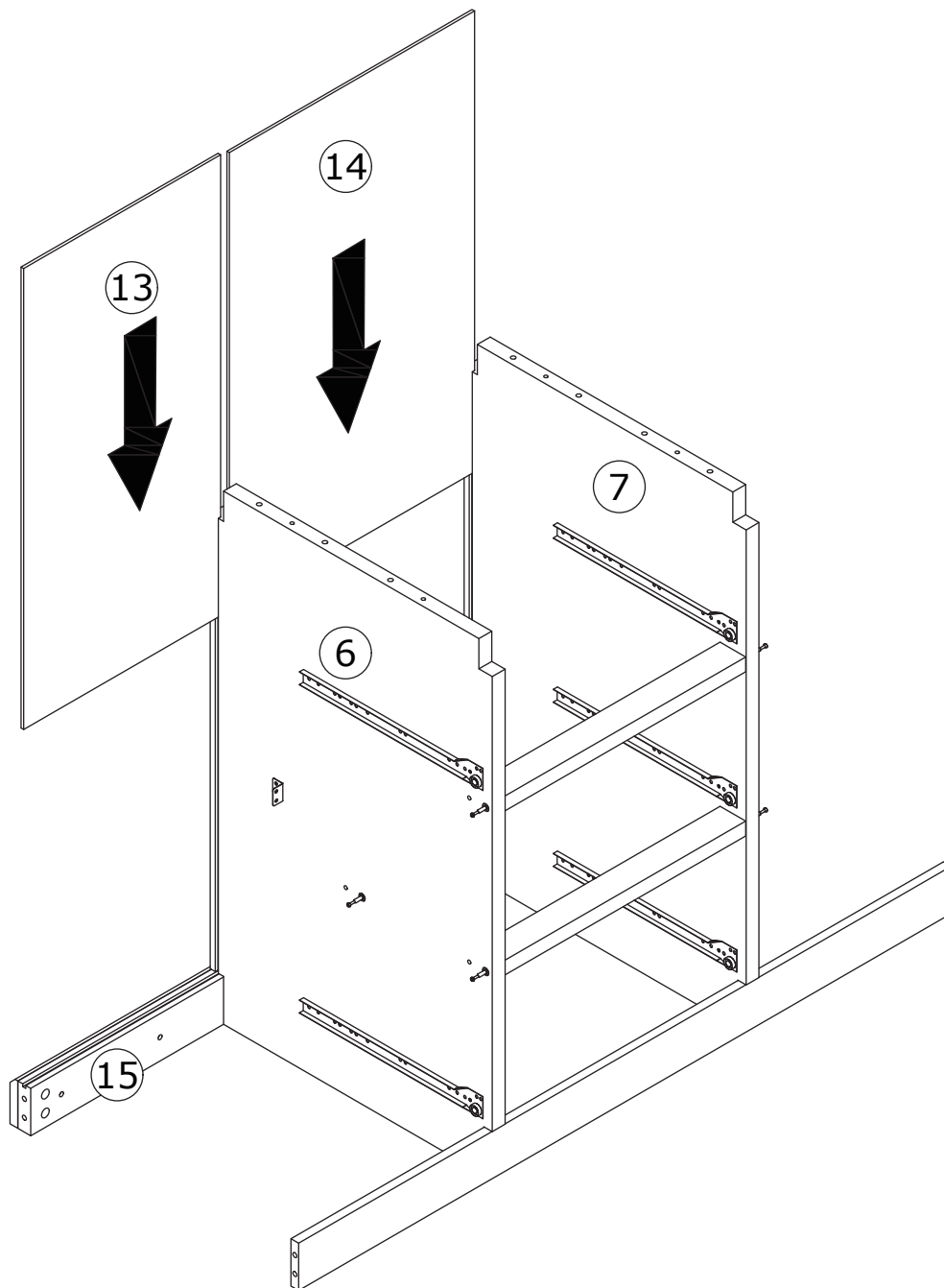
A x 6  CRA0635B	B x 6 	J x 2 	K x 4  CRD3514A	
--	--	--	---	---

Insert plug (B) to panel 6 and 7, then screw self-tapping rod (A) onto. Secure bracket (J) to panel 6 and 7 using screw (K).



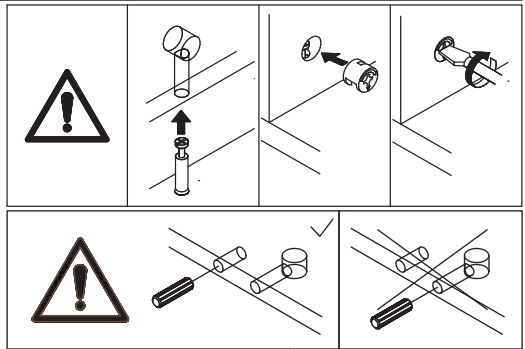
11

Insert panel 13 and 14 along the available slots.

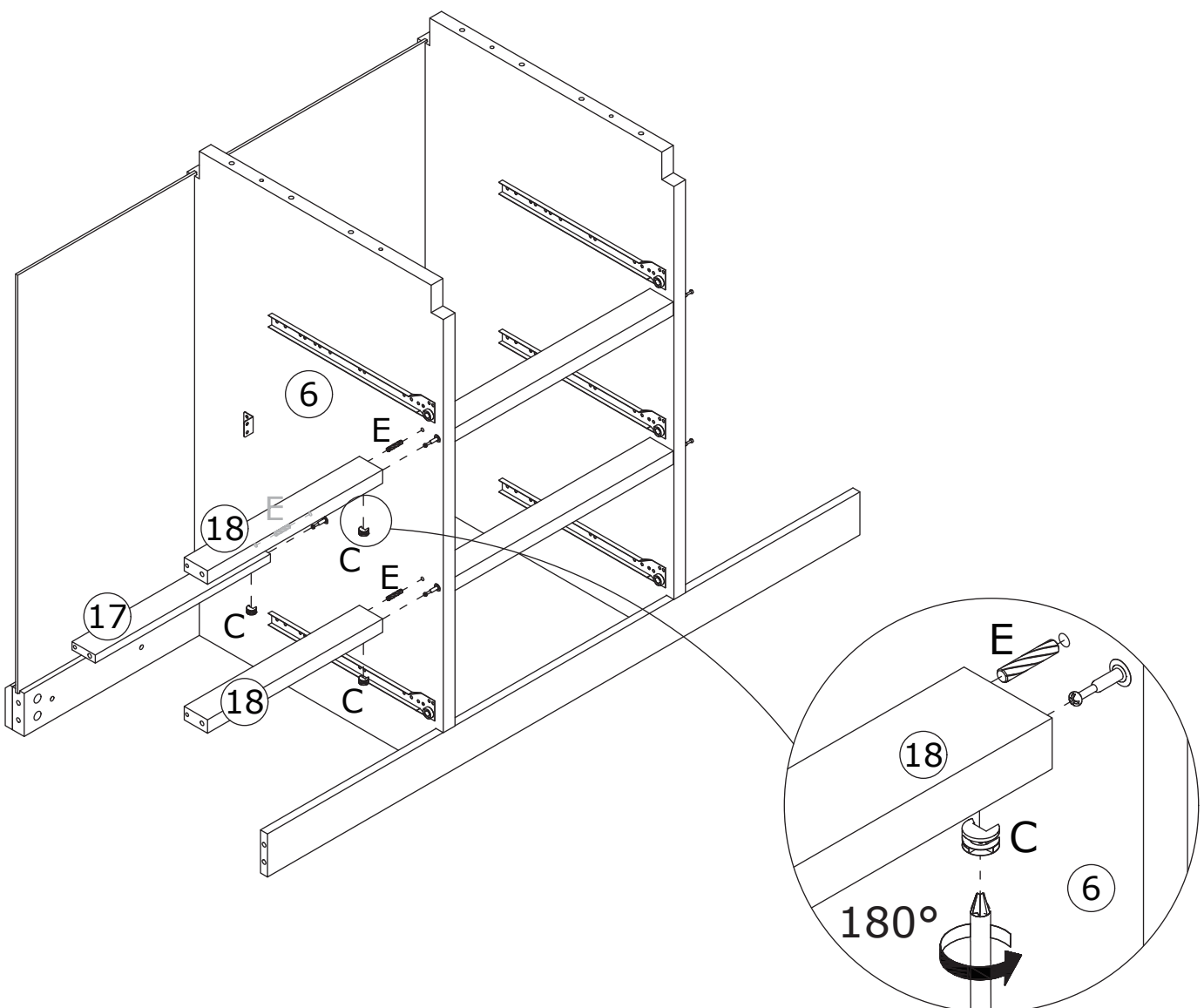


12

<p>C x 3</p>  <p>CRB1595A</p>	<p>E x 3</p>  <p>CRF0630A</p>	
--	--	---



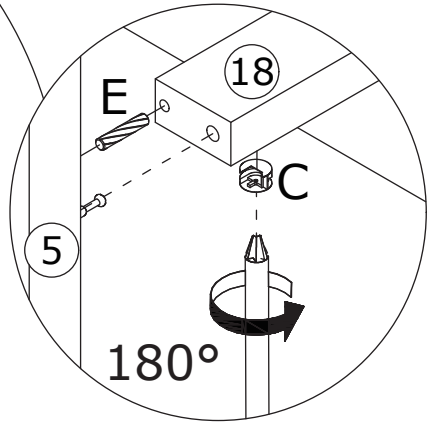
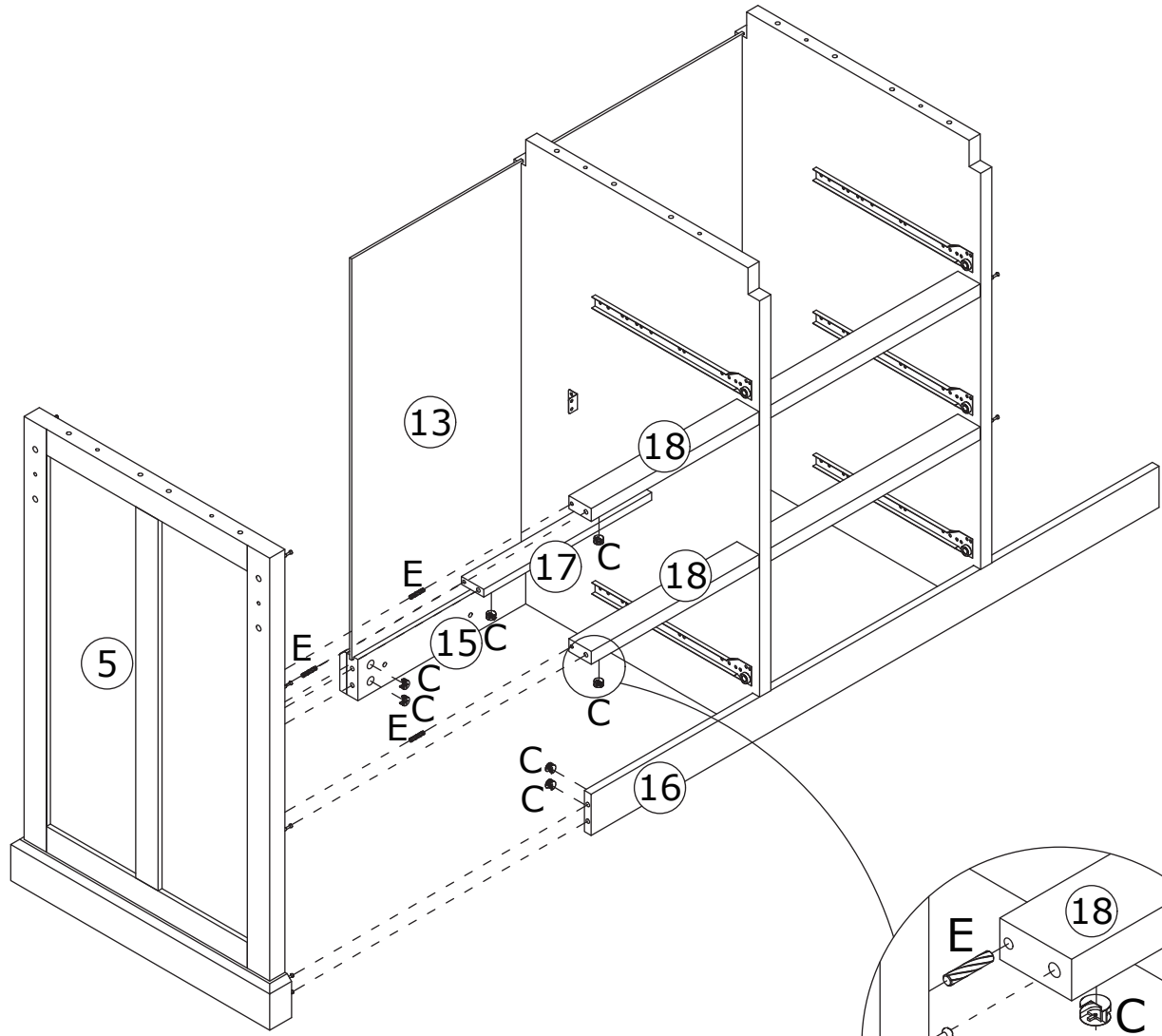
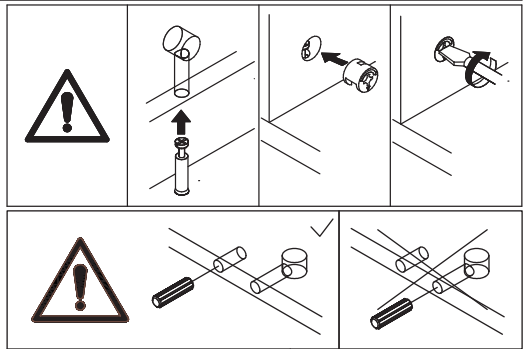
Connect panel 17 and 18 to panel 6 using wooden dowel (E), then insert eccentric wheel (C) and tighten it by turning clockwise.



13

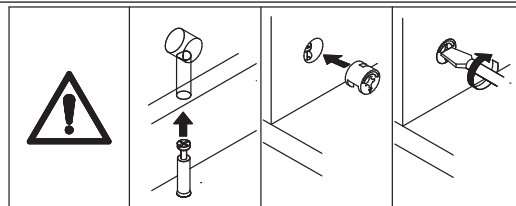
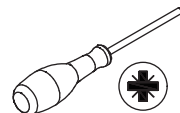
C x 7  CRB1595A	E x 3  CRF0630A	
--	--	---

Attach panel 5 to panel 15, 16, 17, and 18 using wooden dowel (E), then insert eccentric wheel (C) and tighten it by turning clockwise.

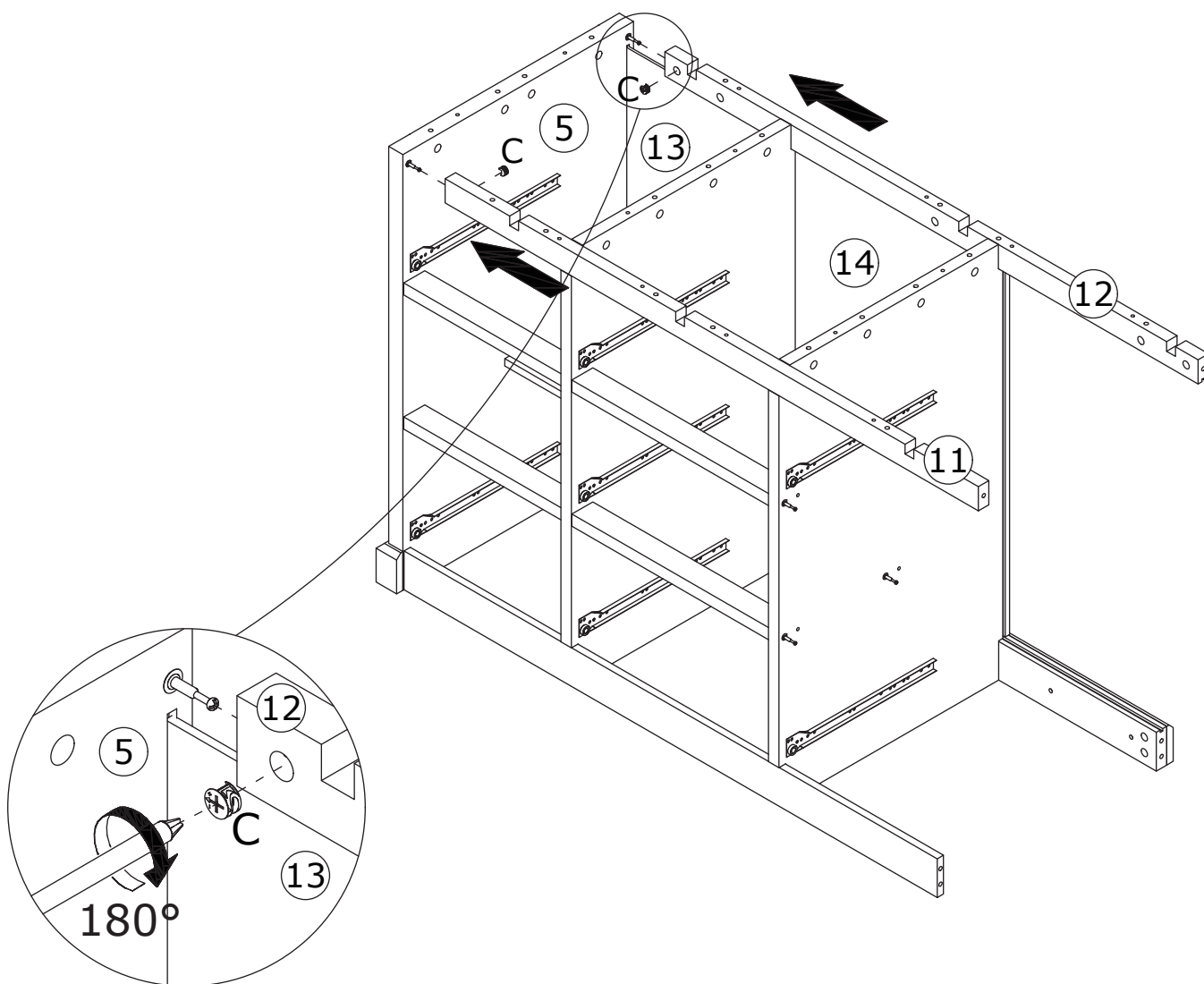


# 14

C x 2  
CRB1595A

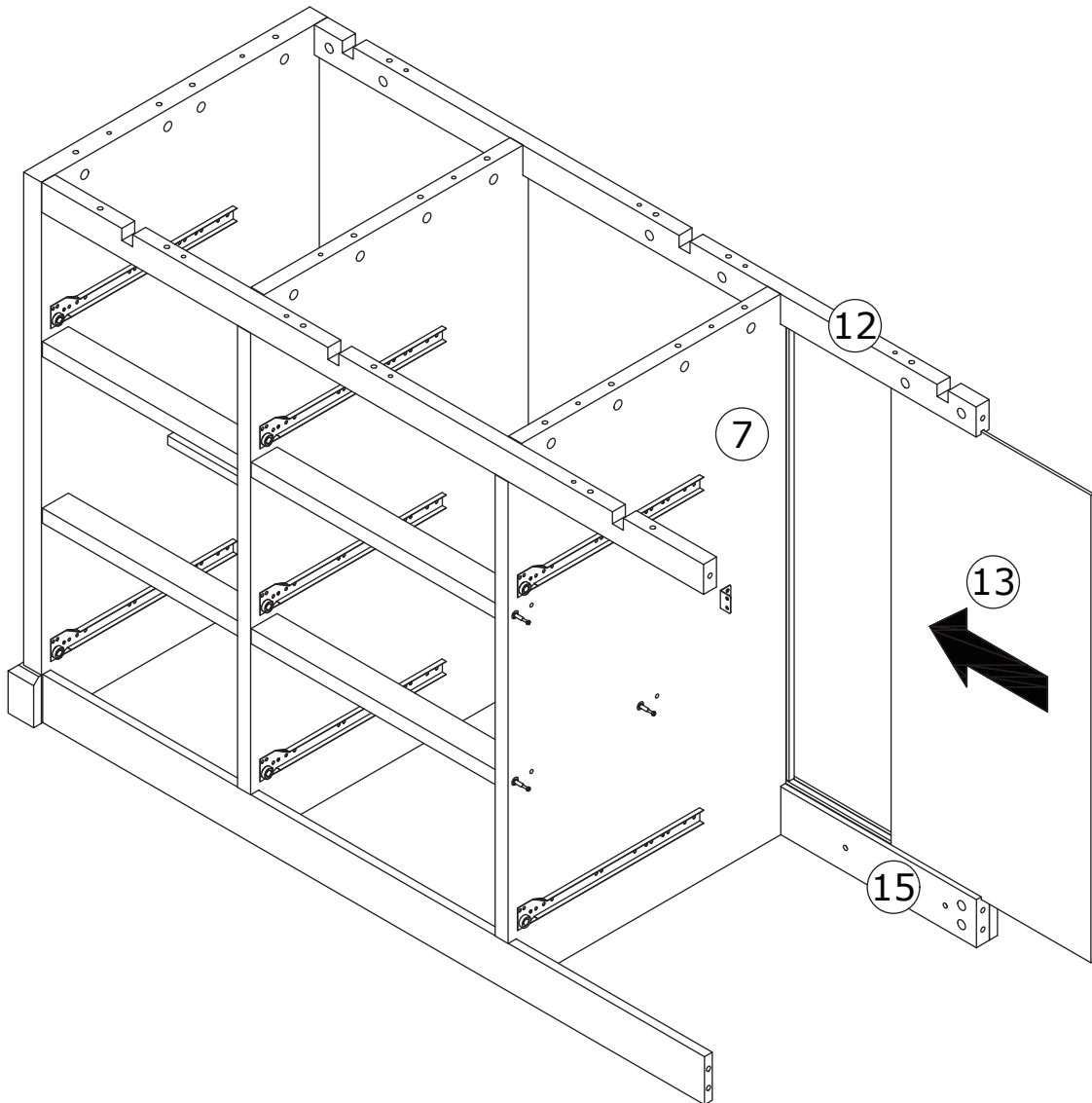


Connect panel 11 and 12 to panel 5, then insert eccentric wheel (C) and tighten it by turning clockwise.



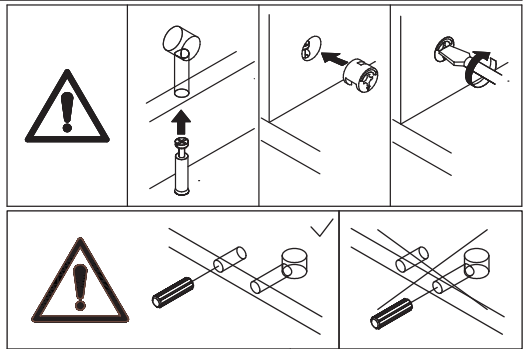
15

Insert panel 13 along the available slots.

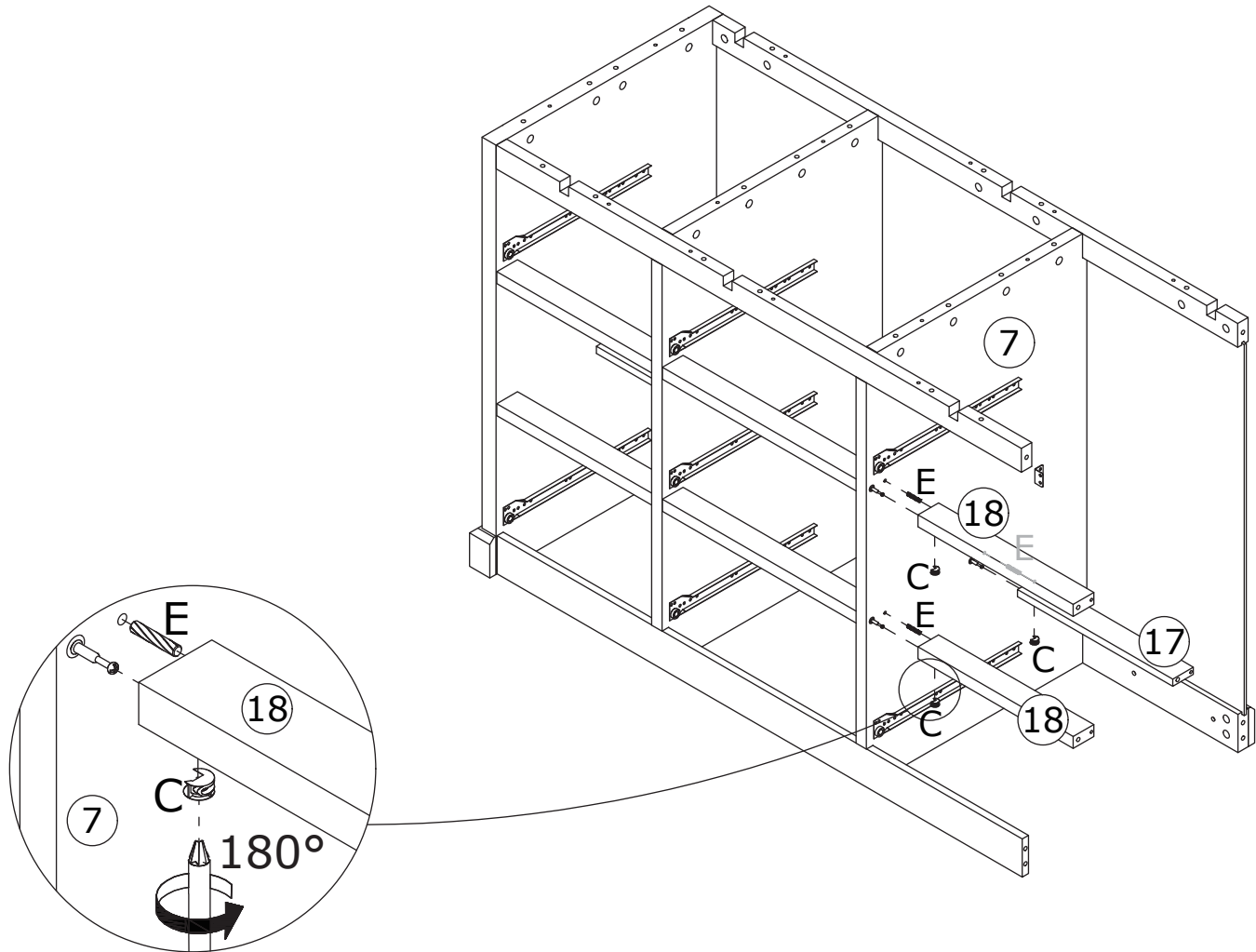


# 16

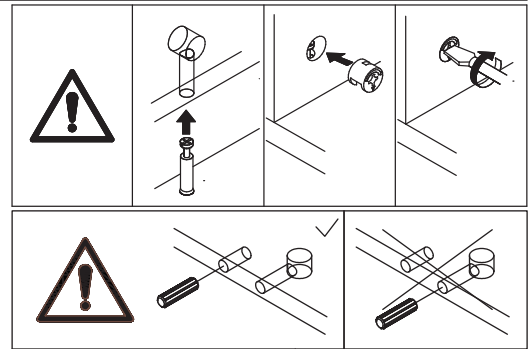
C x 3  CRB1595A	E x 3  CRF0630A	
--	--	---



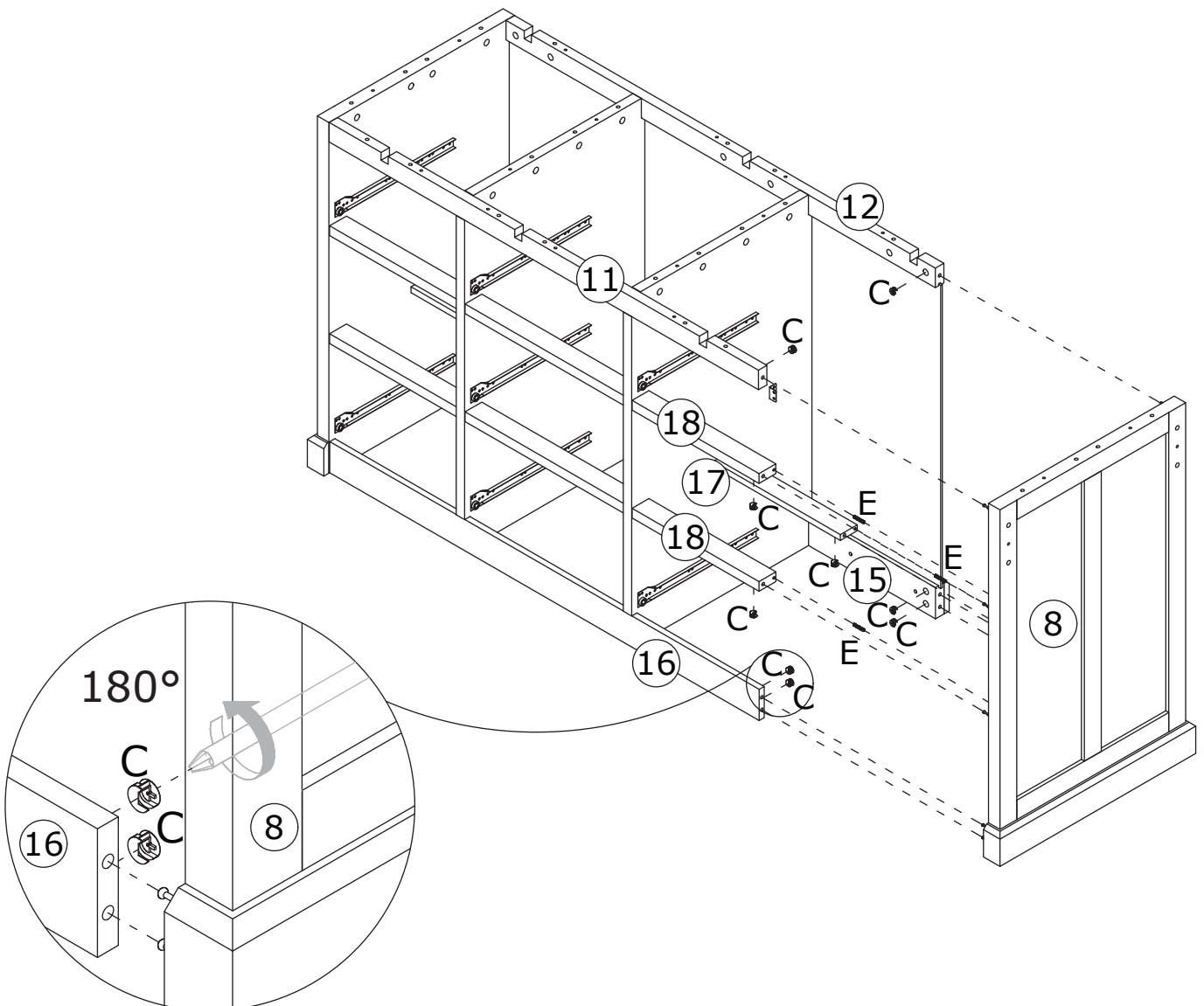
Connect panel 17 and 18 to panel 7 using wooden dowel (E), then insert eccentric wheel (C) and tighten it by turning clockwise.



17


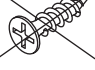
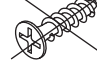
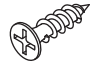


Connect panel 8 to panel 11, 12, 15, 16, 17, and 18 using wooden dowel (E), then insert eccentric wheel (C) and tighten it by turning clockwise.

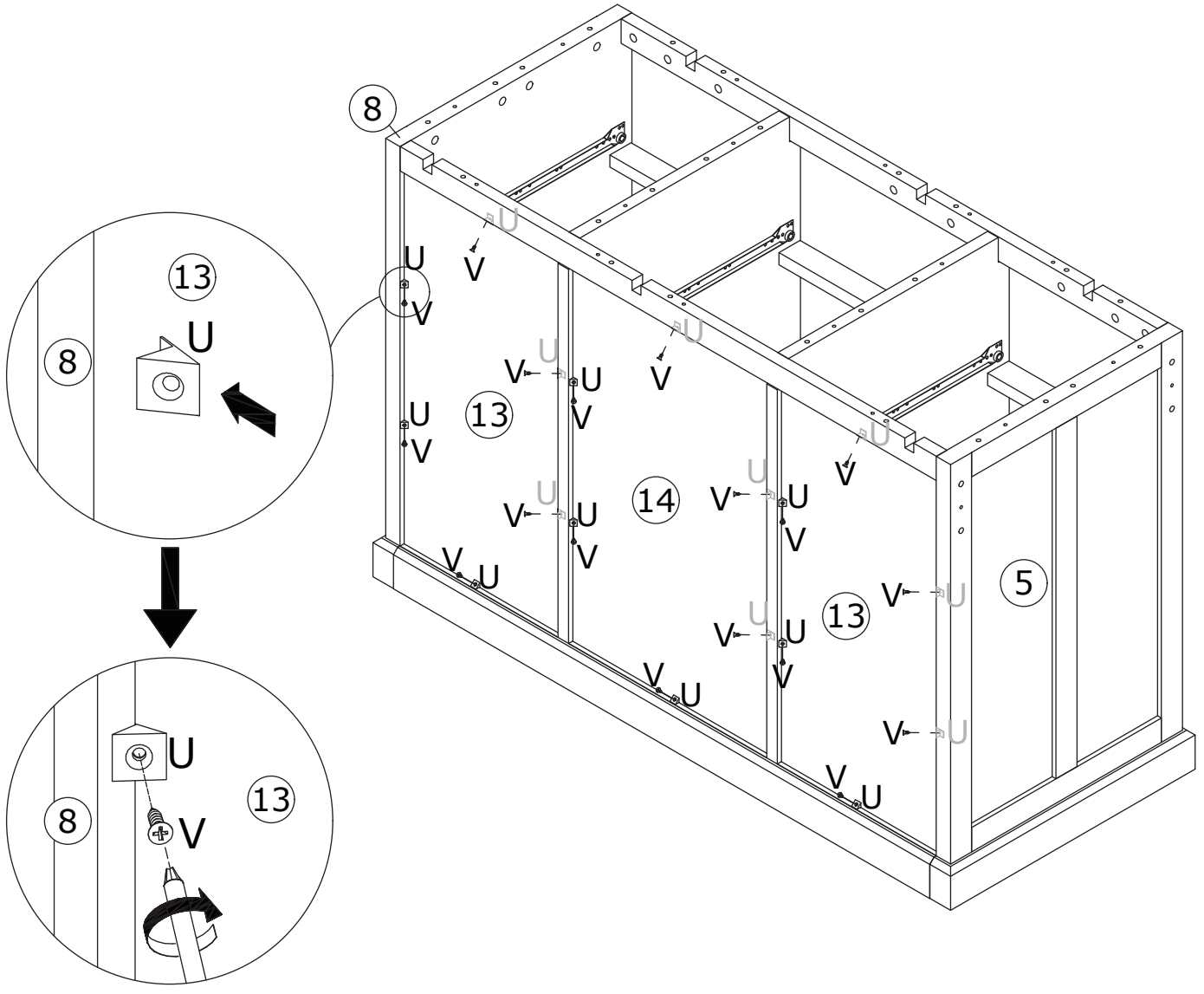


18

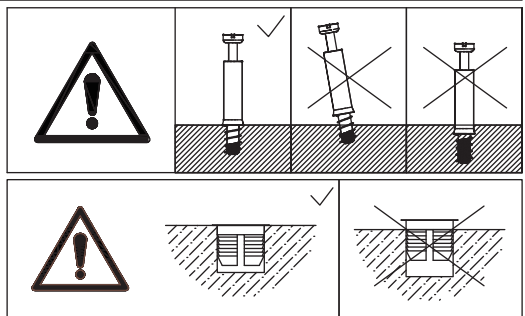
U x 18 	V x 18  CRD0314A	
---	---	---

	<del>G</del>  CRD3512A	<del>K</del>  CRD3514A	V  CRD0314A
--	---	---	--

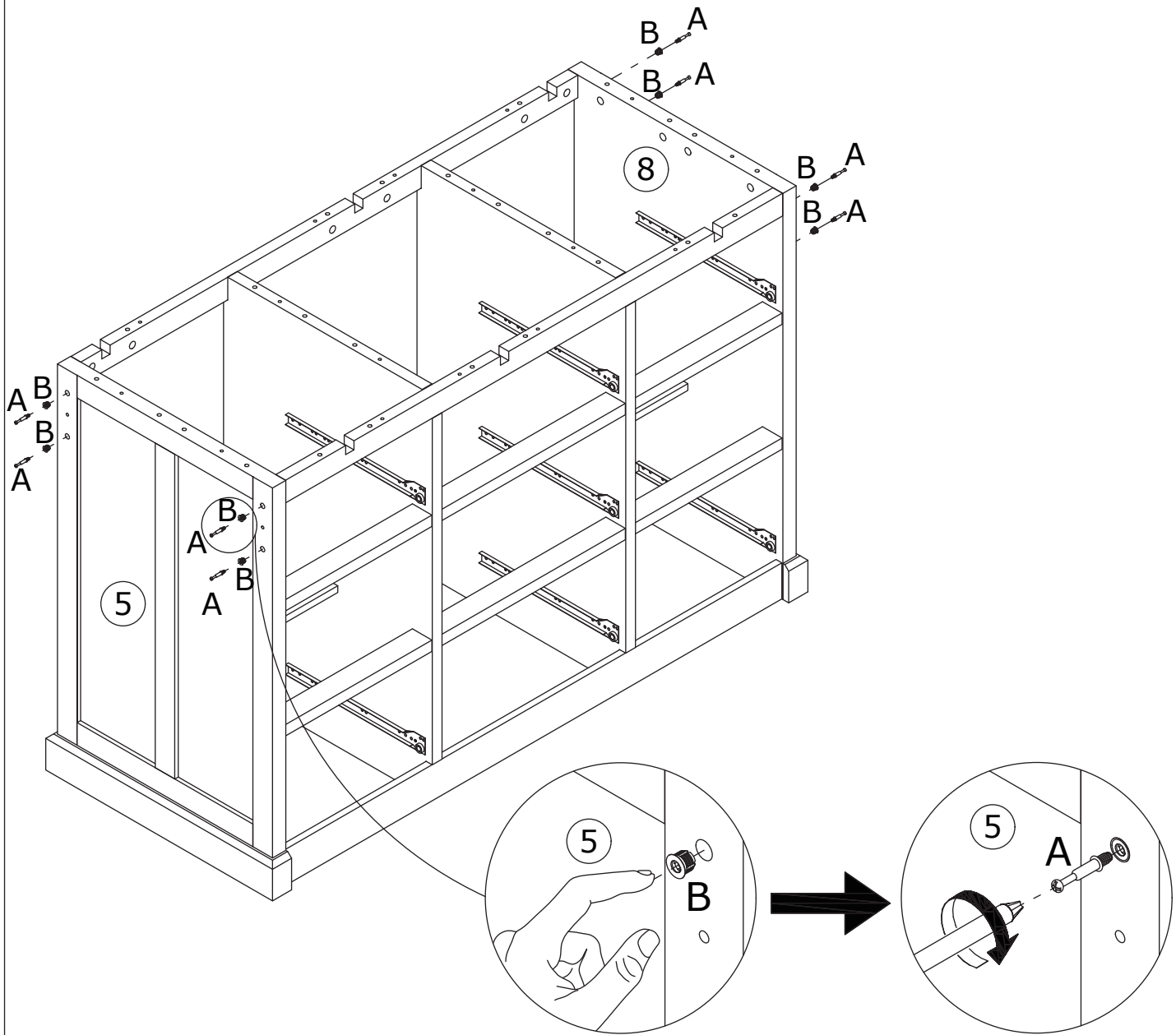
Insert clip (U) into the back slots and secure using screw (V).



19

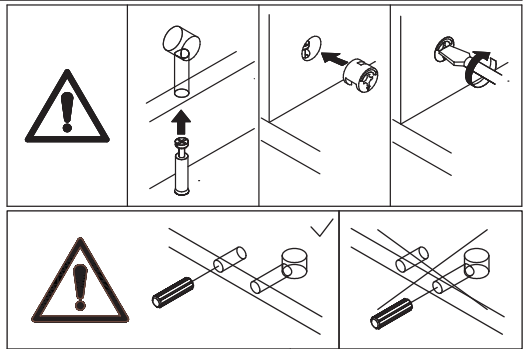


Insert plug (B) to panel 5 and 8, then screw self-tapping rod (A) onto.

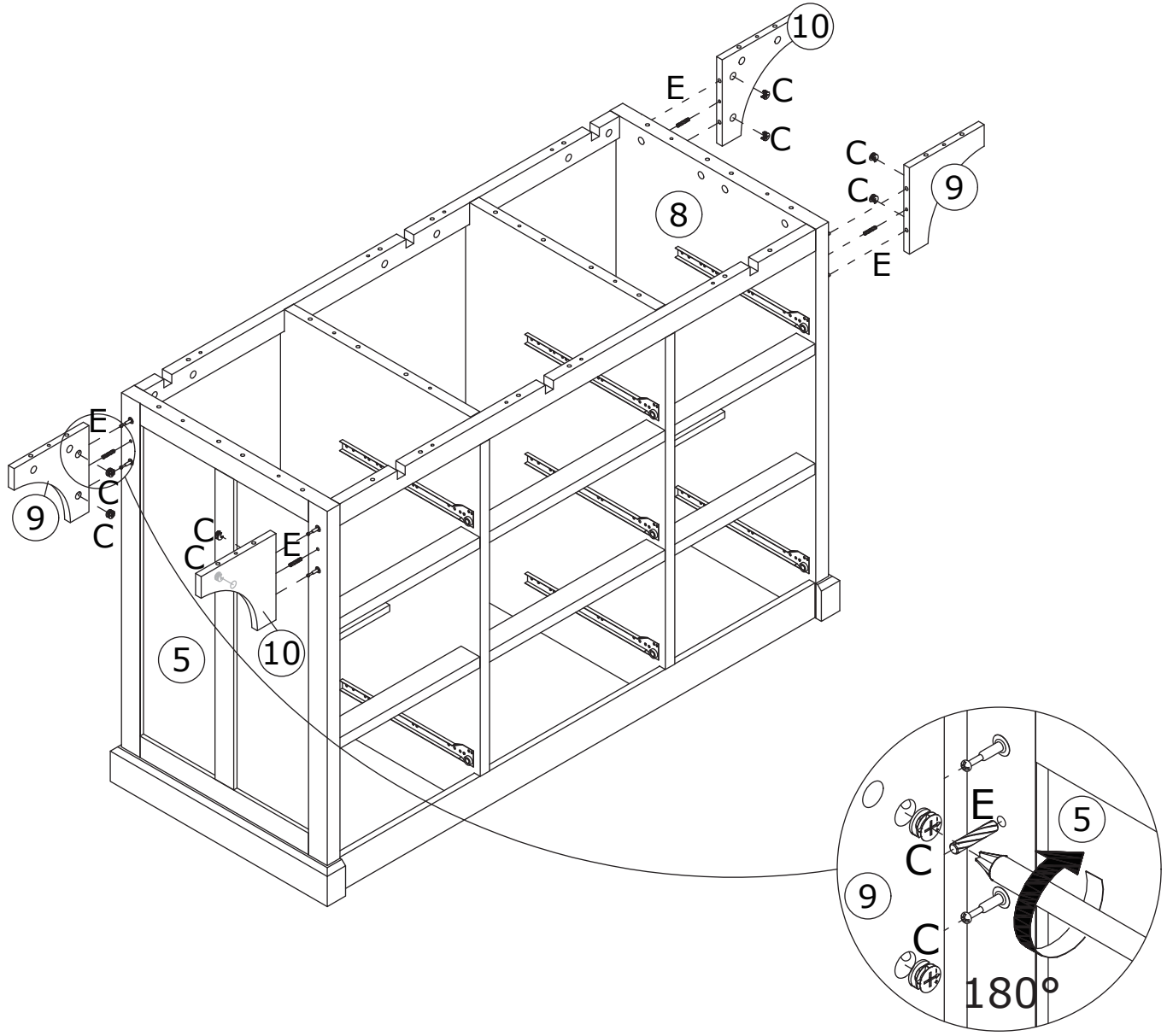


20

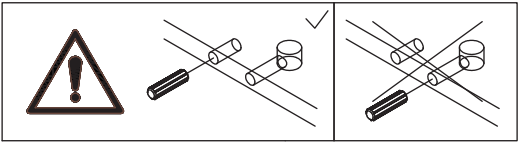
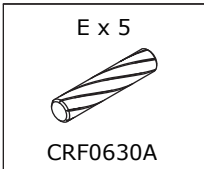
C x 8  CRB1595A	E x 4  CRF0630A	
--	--	---



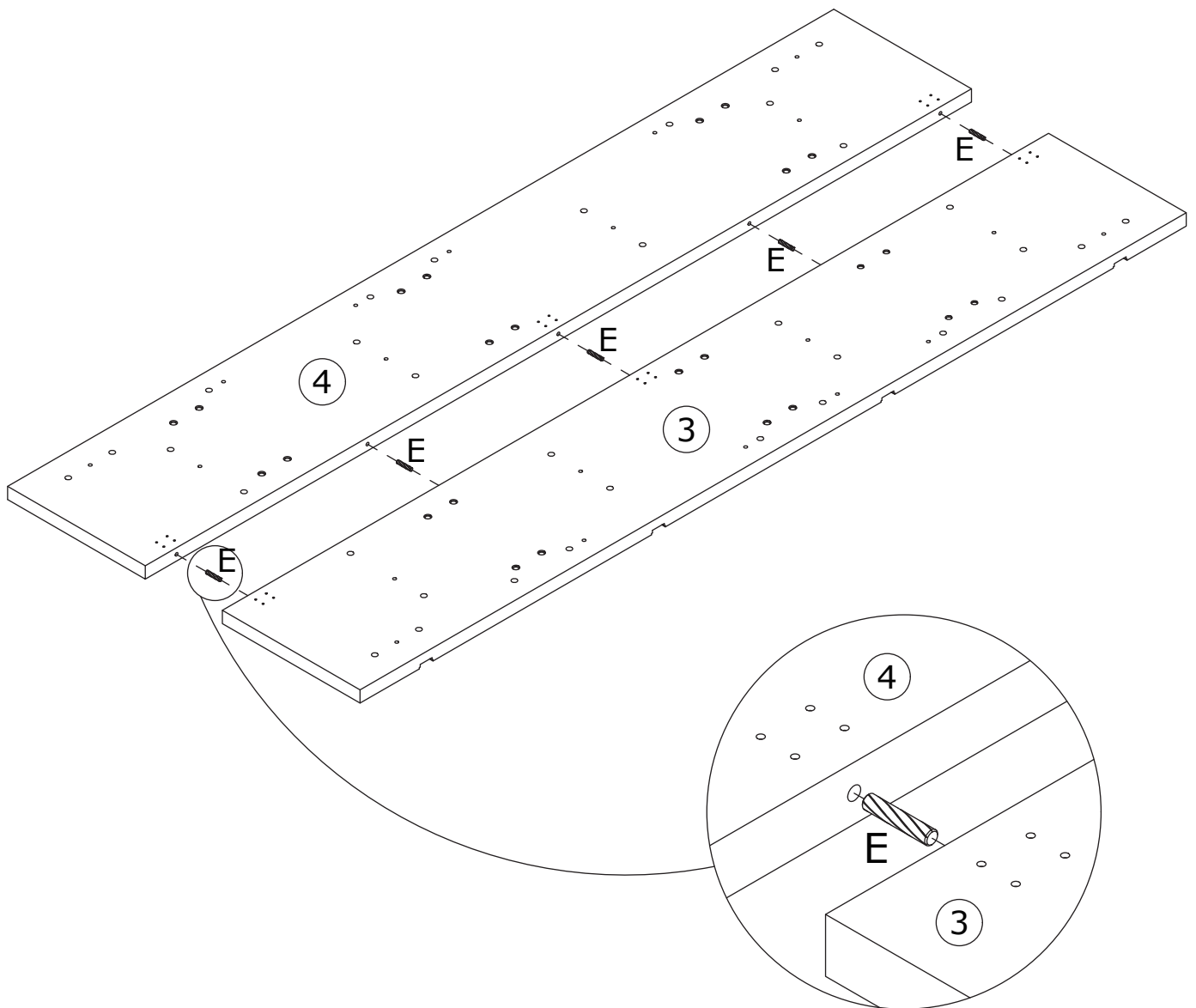
Connect panel 9 and 10 to panel 5 and 8 using wooden dowel (E), then insert eccentric wheel (C) and tighten it by turning clockwise.



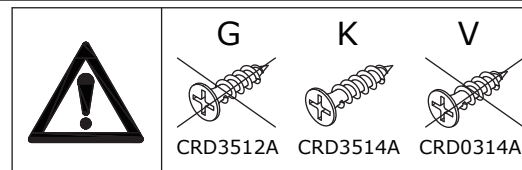
21



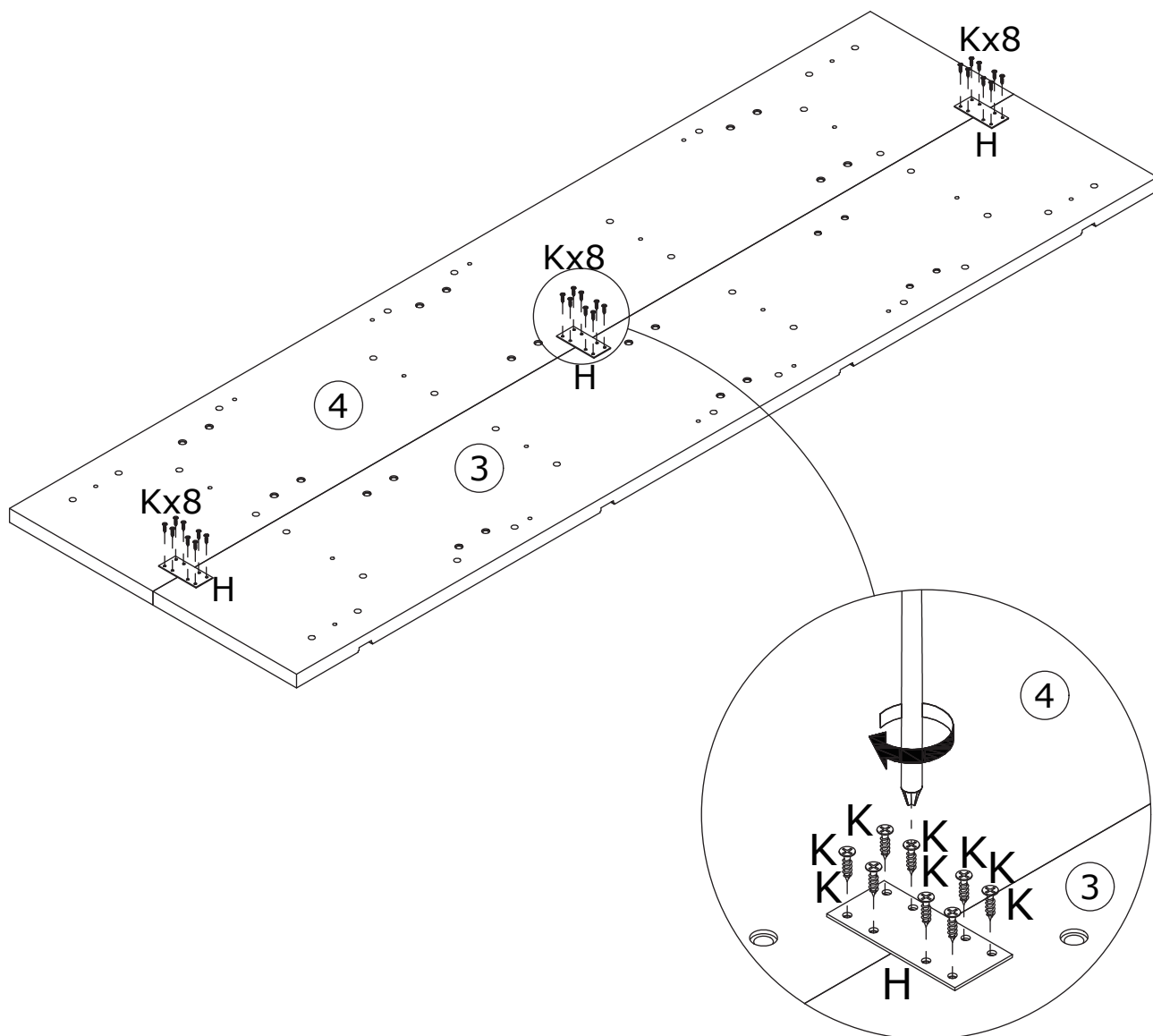
Connect panel 3 to panel 4 using wooden dowel (E).



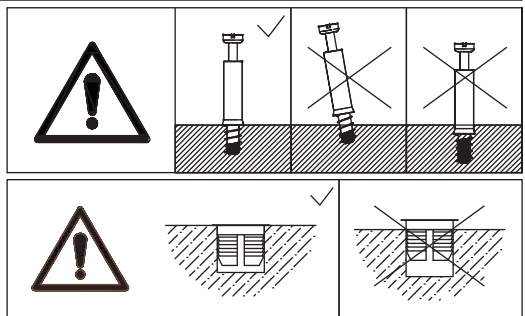
22



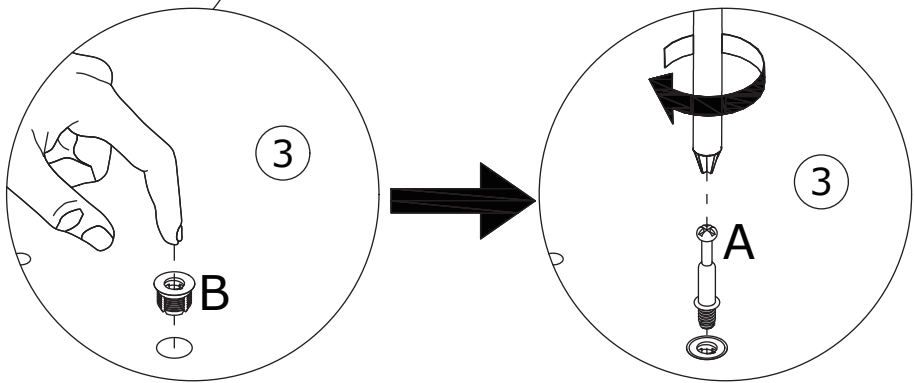
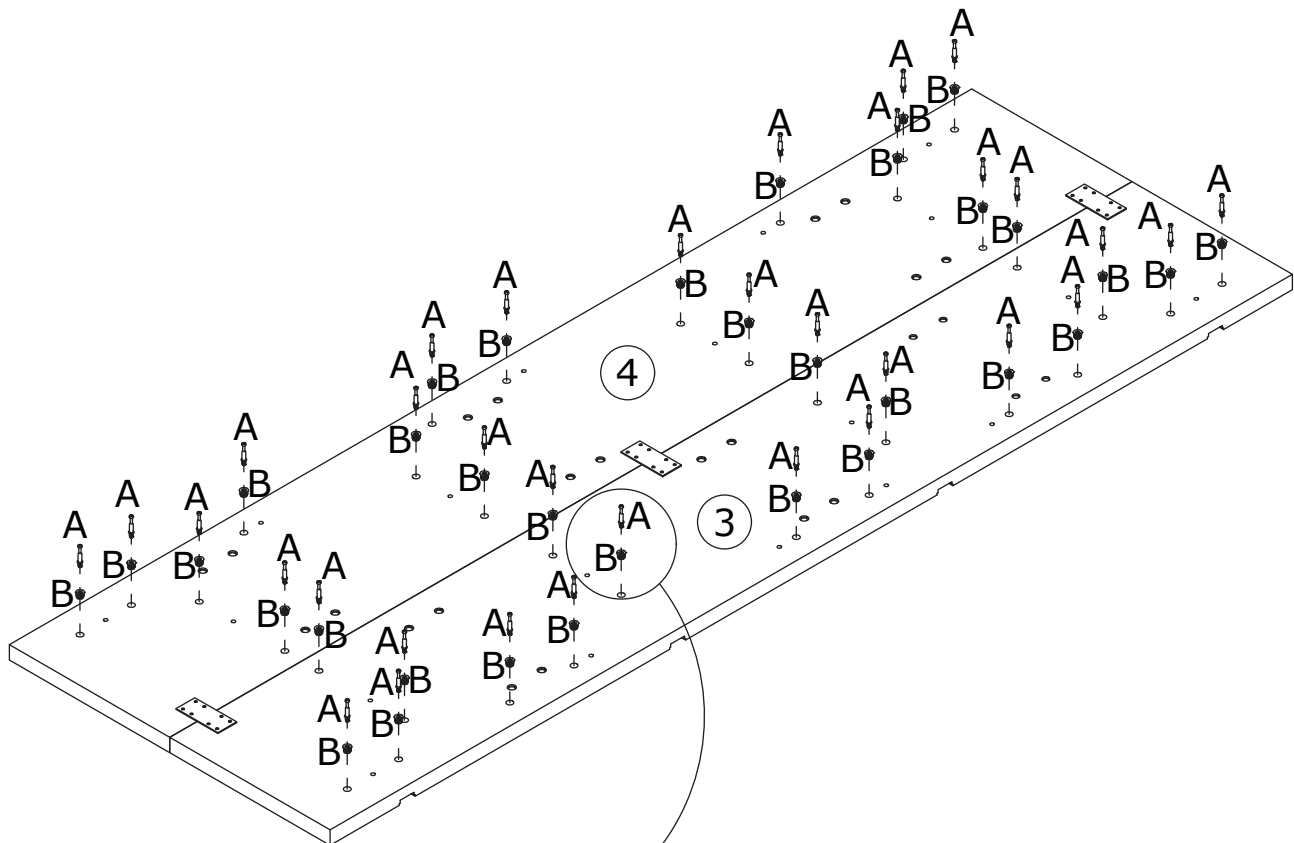
Secure iron sheet (H) to panel 3 and 4 using screw (K).



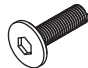
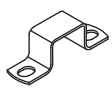
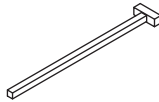

23



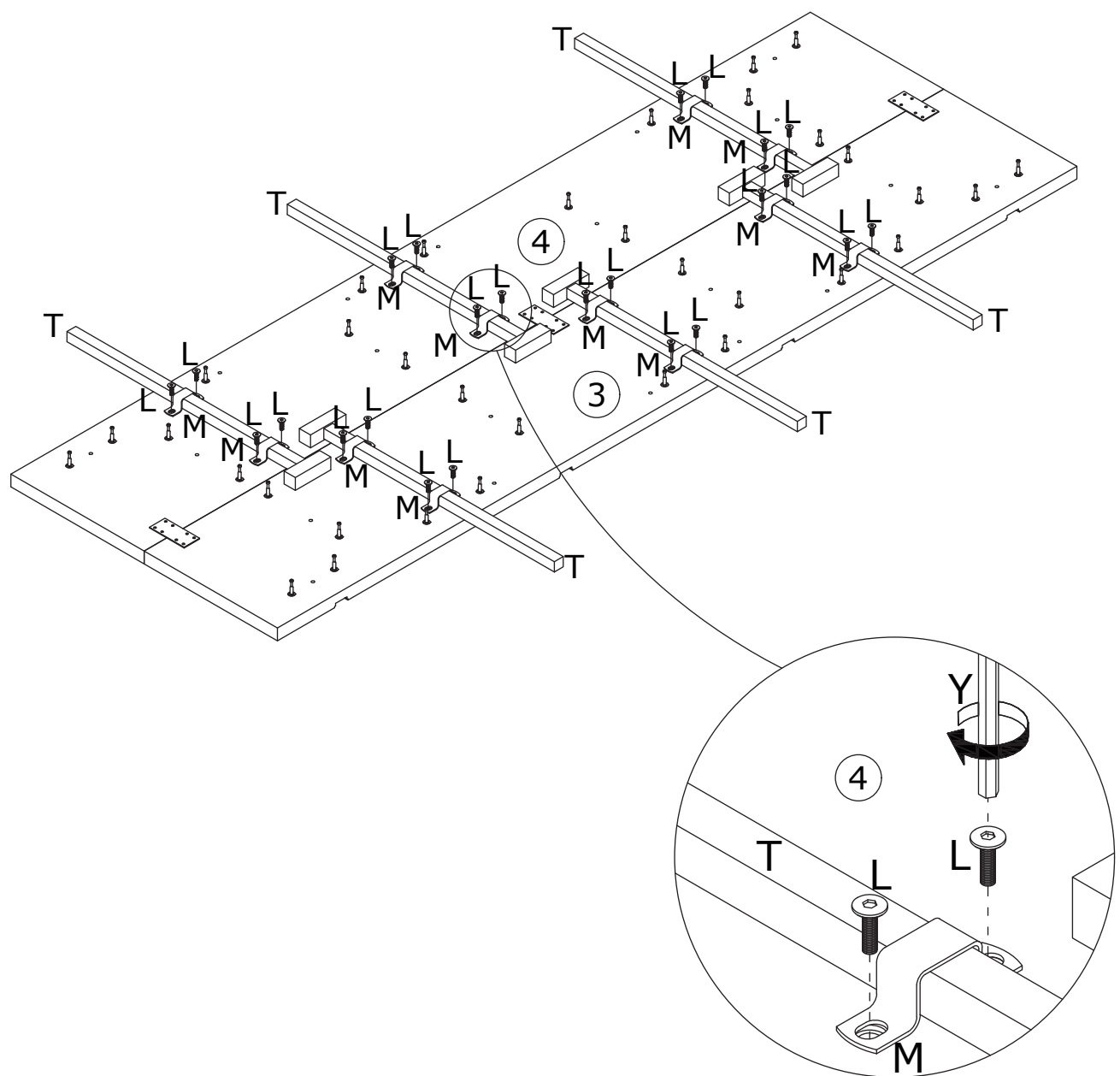
Insert plug (B) to panel 3 and 4, then screw self-tapping rod (A) onto.



24

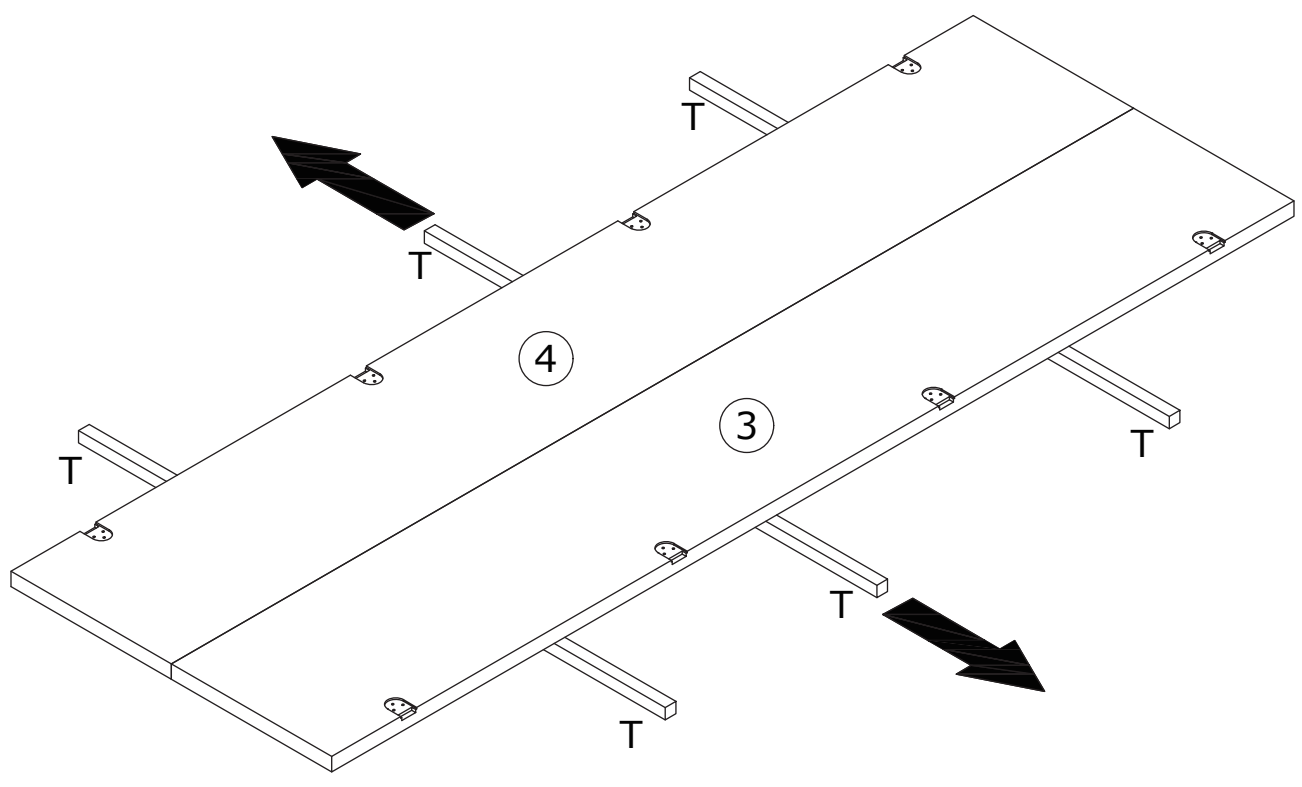
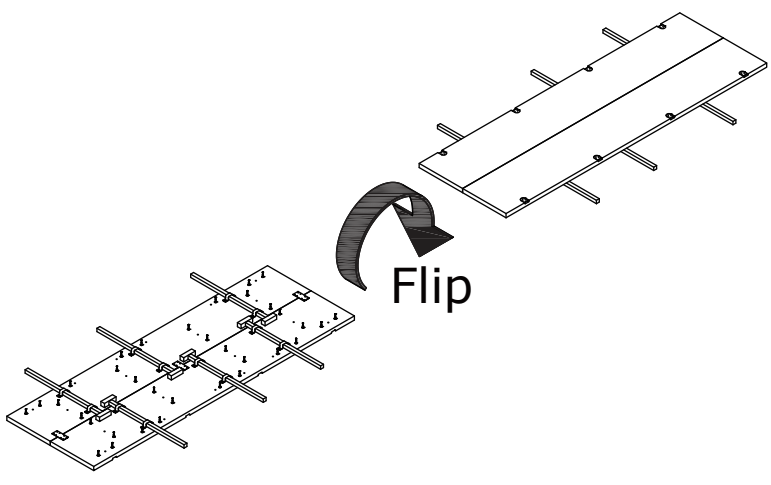
L x 24  CRG0612A	M x 12 	T x 6 	Y x 1 	
---	---	--	---	--

Secure part (T) to panel 3 and 4 using screw (L) and buckle (M).



25

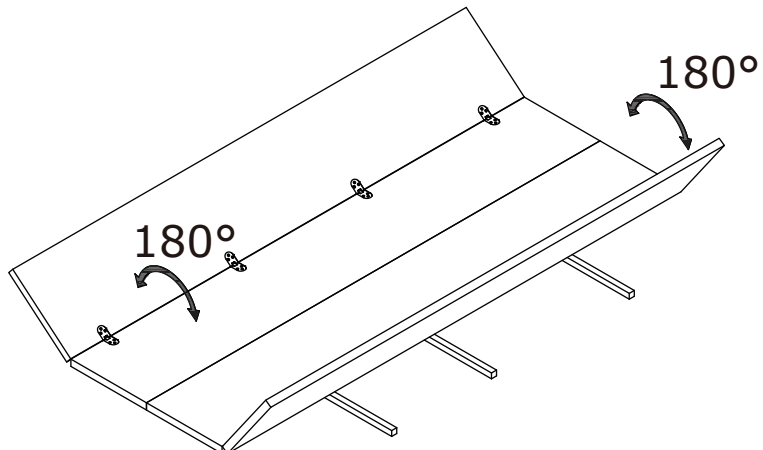
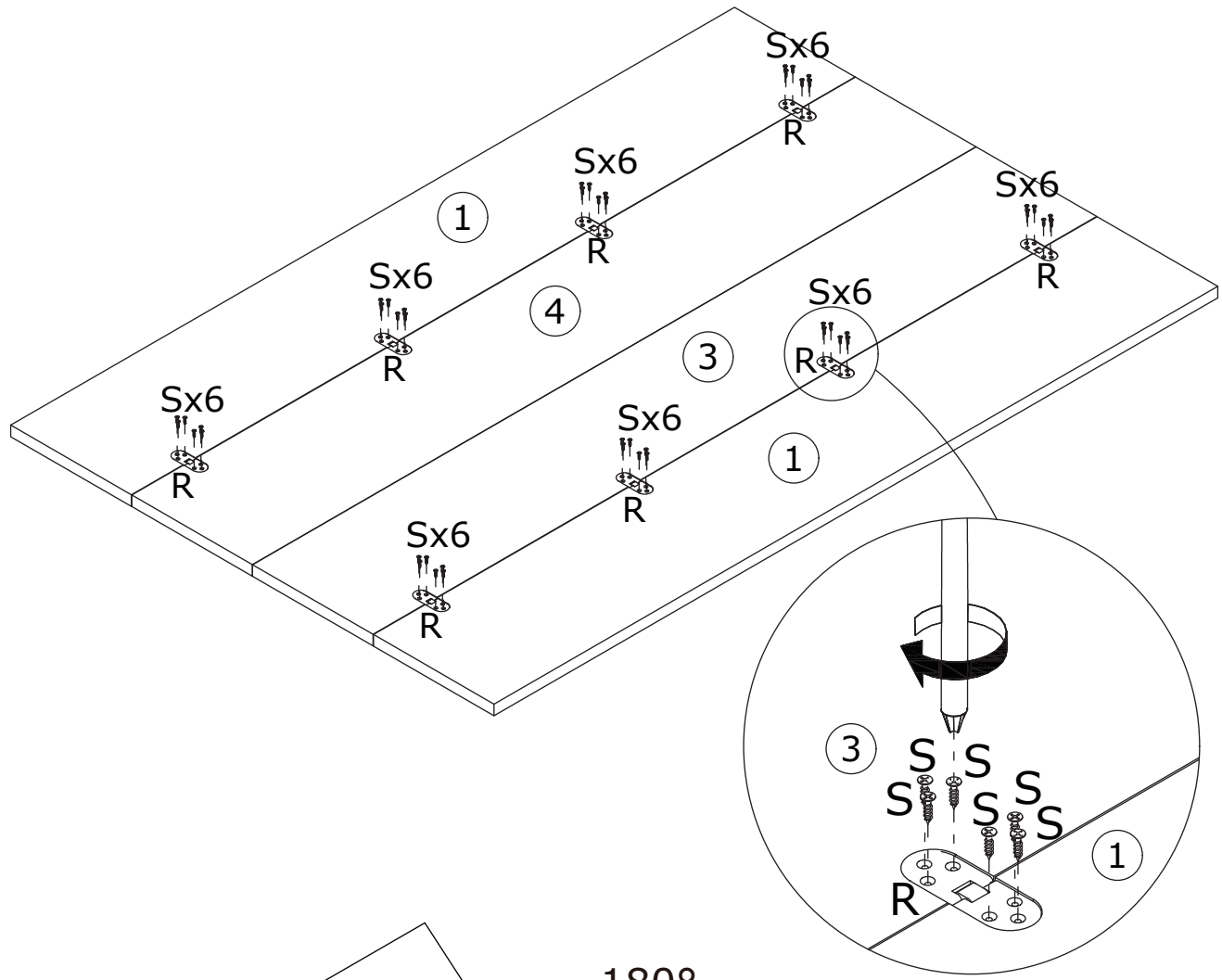
Flip the component and pull the part (T) out to its fullest extent.



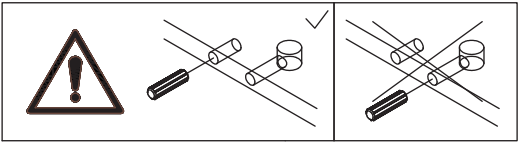
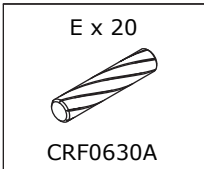
26

R x 8 	S x 48 CRD3520A 	
--	---	---

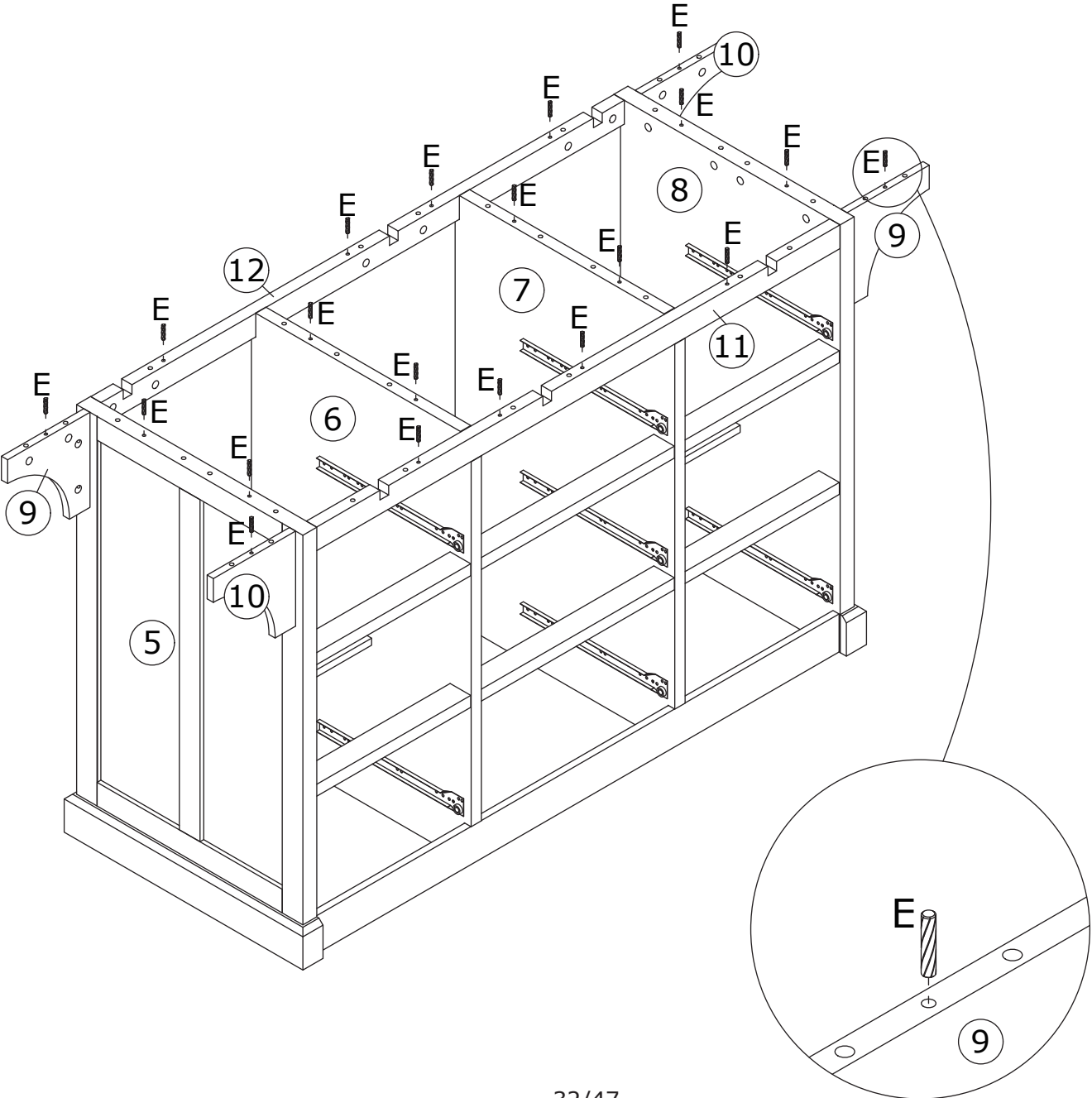
Secure part (R) to panel 1, 3 and 4 using screw (S).



27

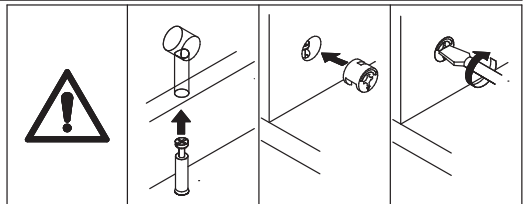
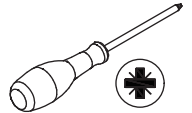


Insert the wooden dowel (E) into panel 5, 6, 7, 8, 9, 10, 11, and 12.

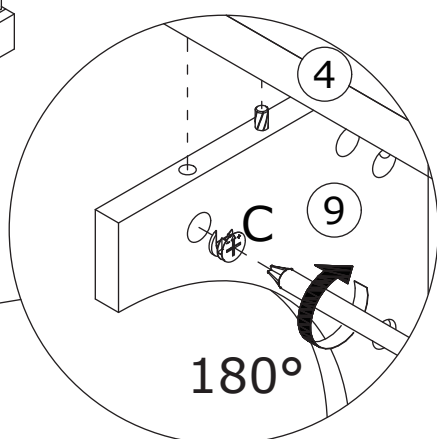
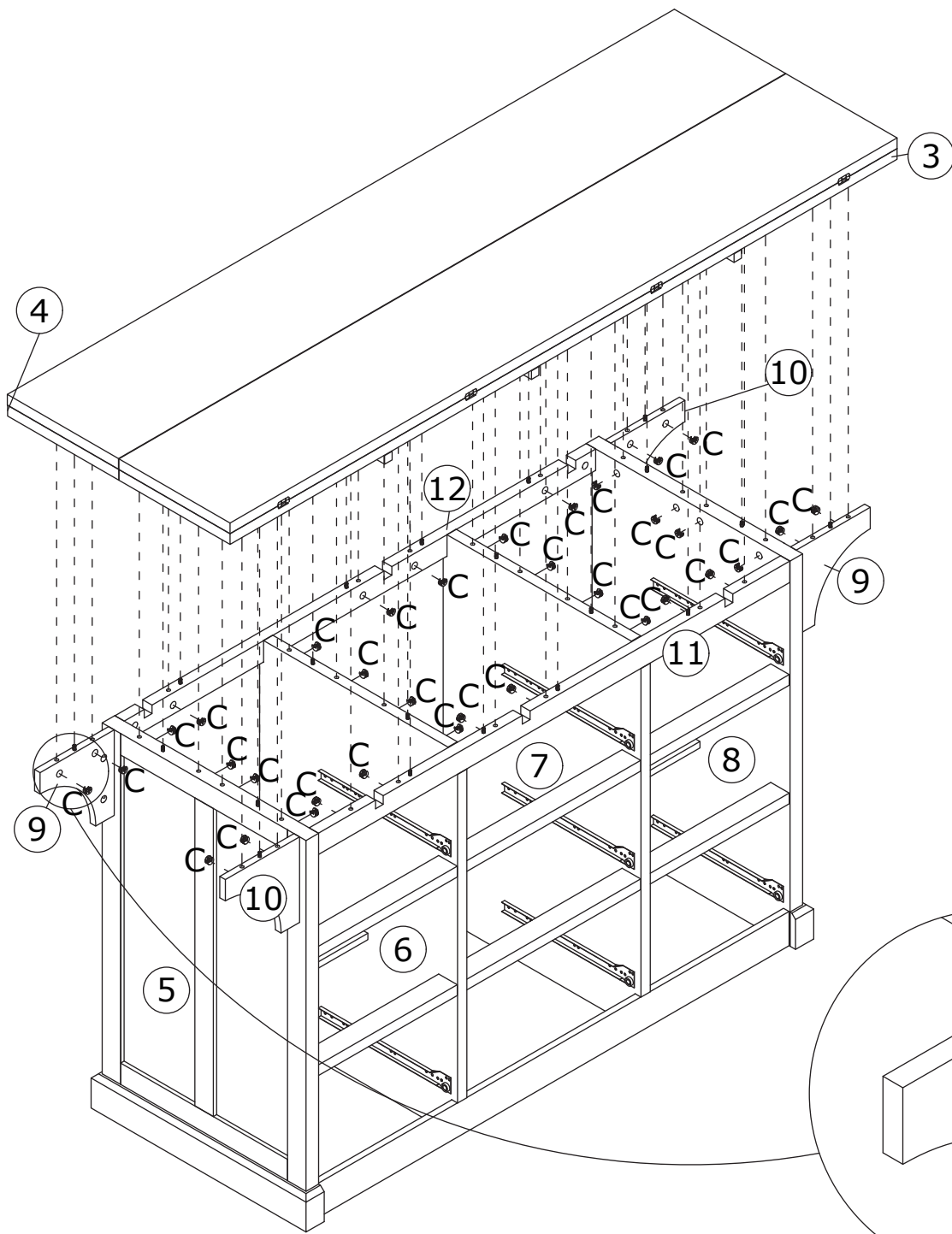


28

C x 34  
CRB1595A

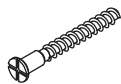


Connect panel 3 and 4 to the top of the component, then insert eccentric wheel (C) and tighten it by turning clockwise.

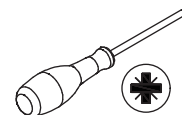


29

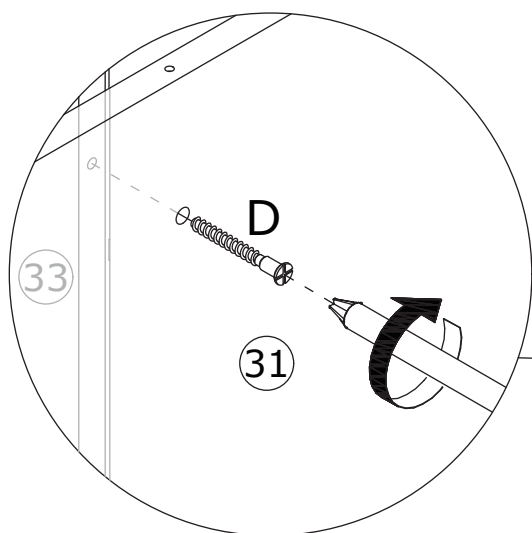
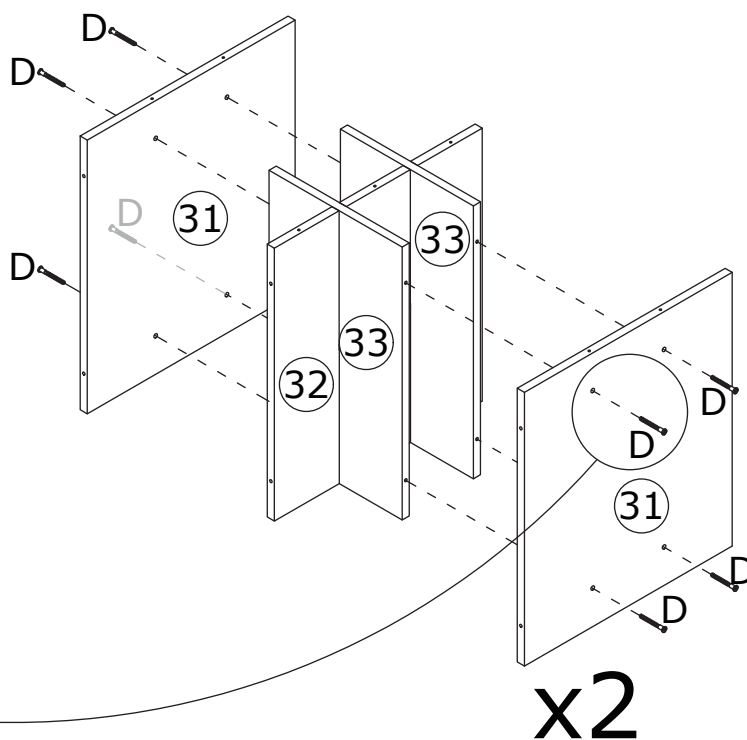
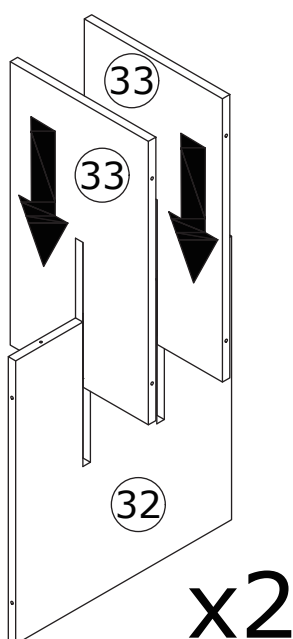
D x 16



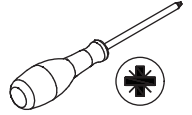
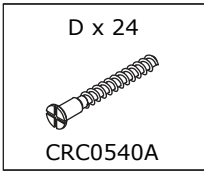
CRC0540A



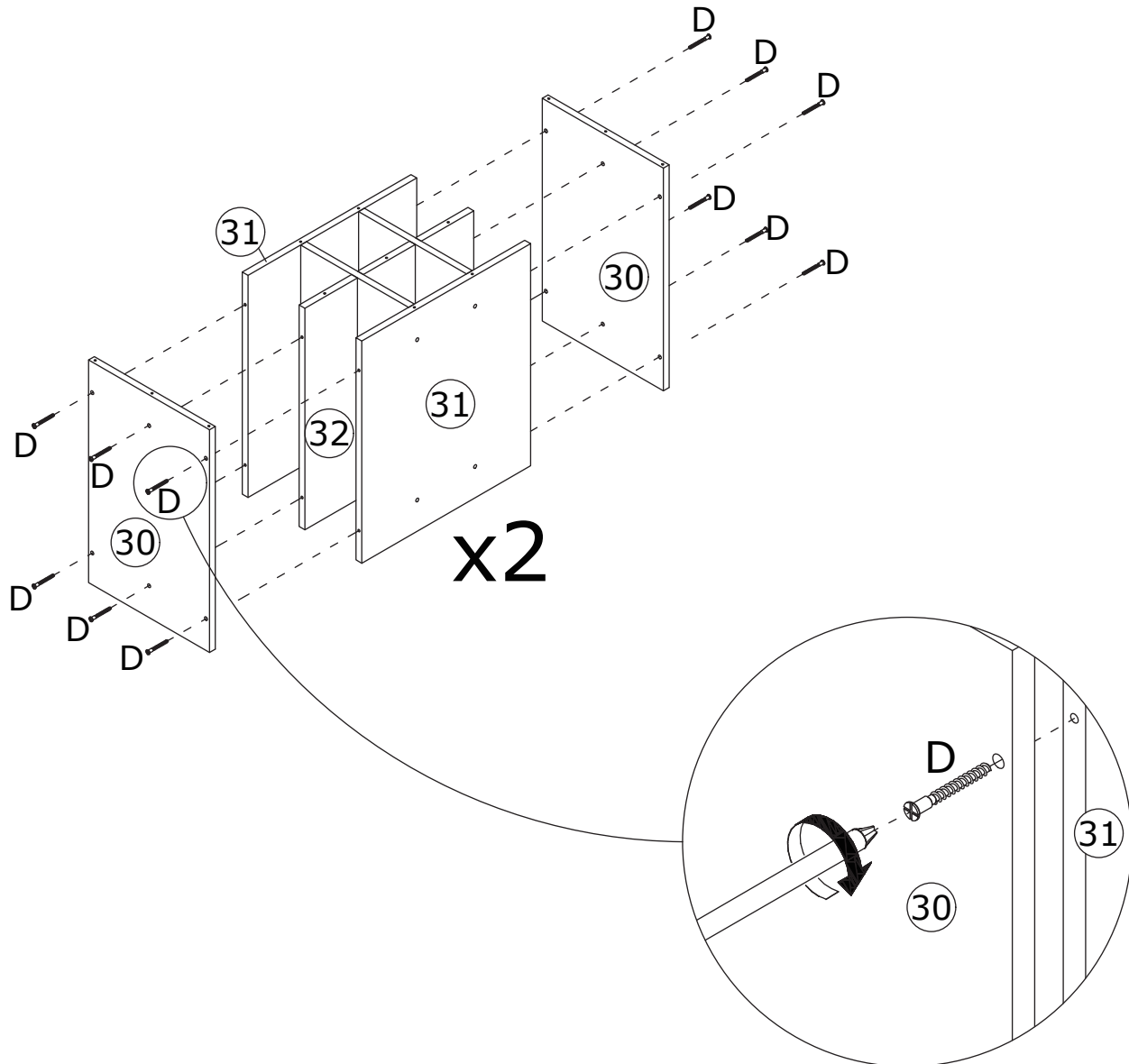
Connect panel 33 to panel 32.  
Secure panel 31 to panel 33 using screw (D).



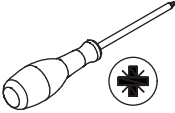
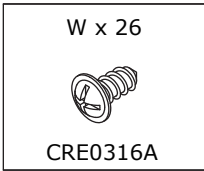
30



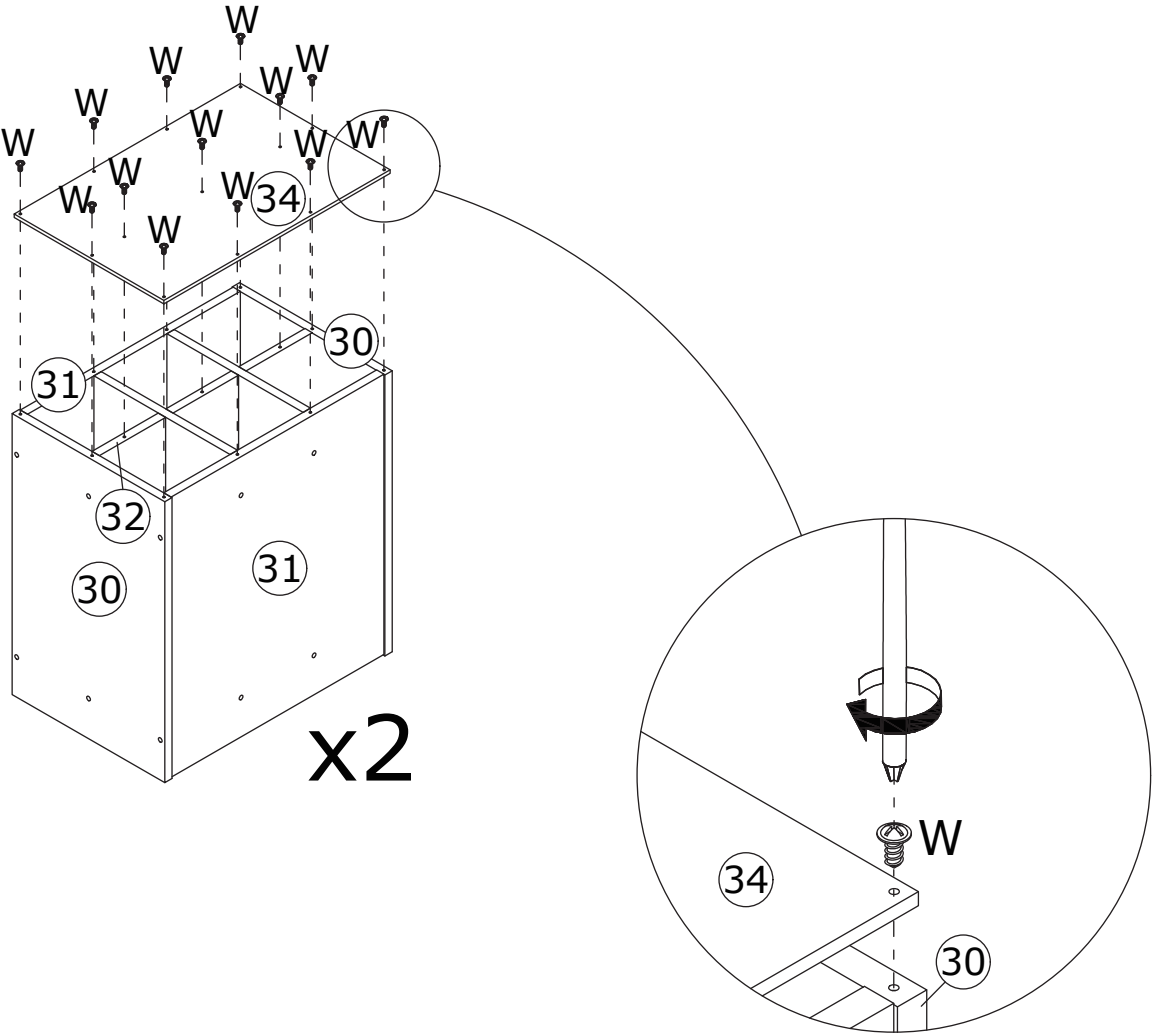
Secure panel 30 to panel 31 and 32 using screw (D).



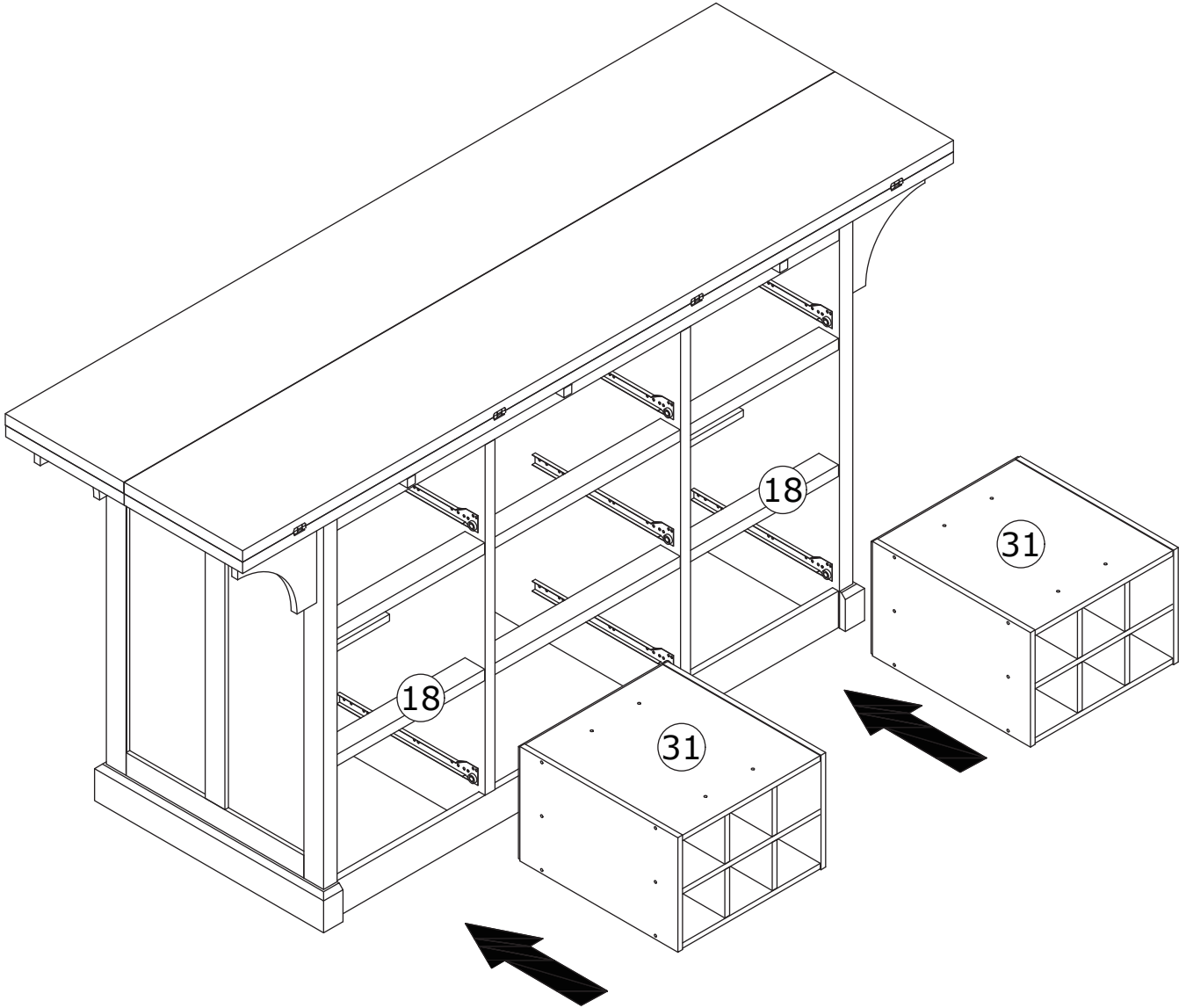
31



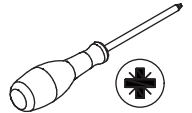
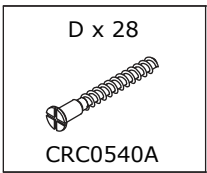
Secure panel 34 to panel 30, 31 and 32 using screw (W).



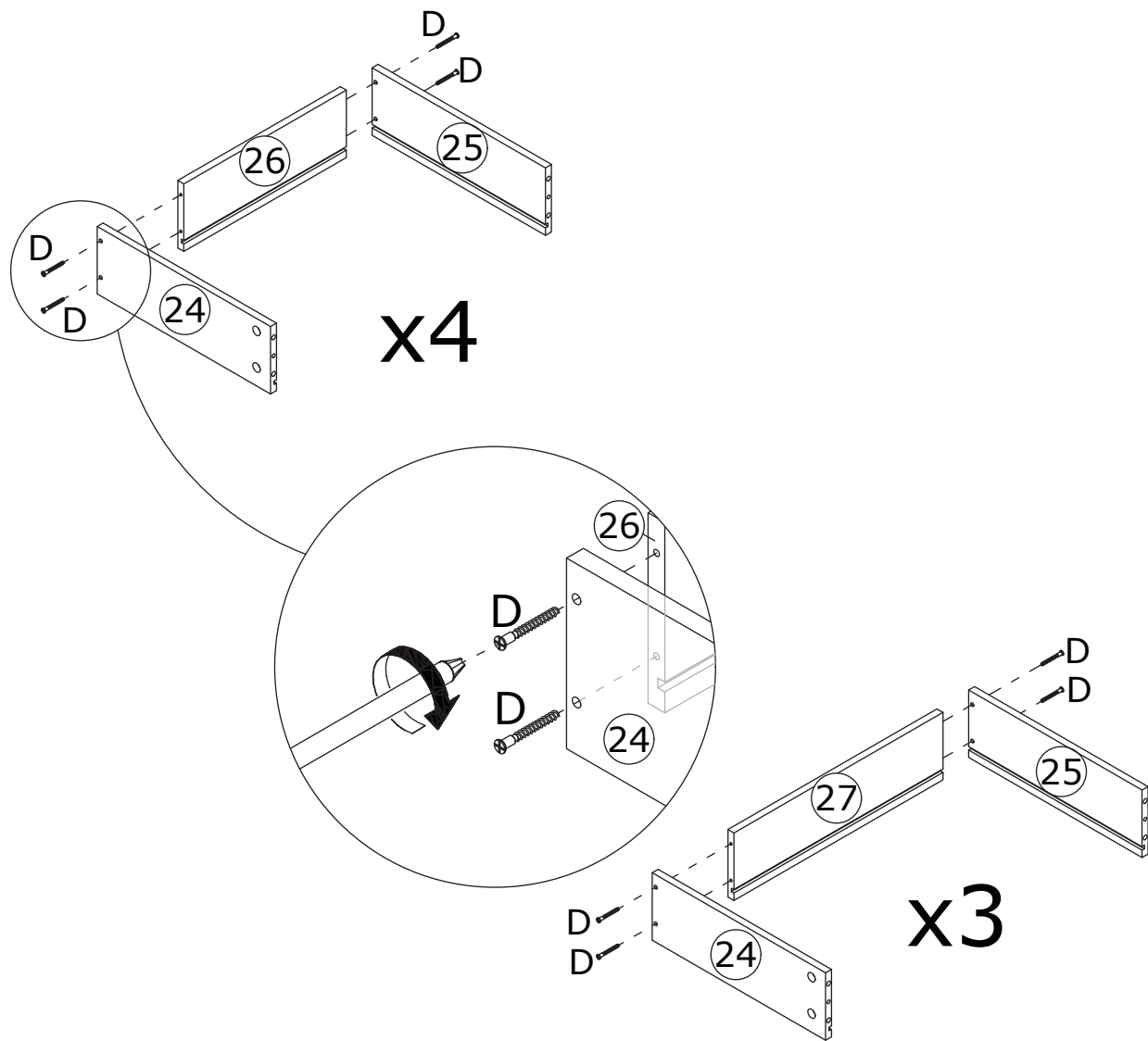
32



33



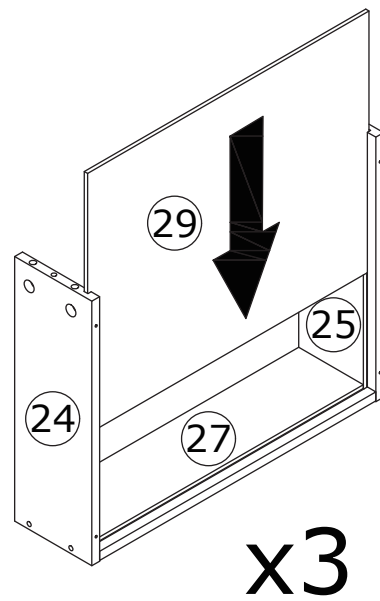
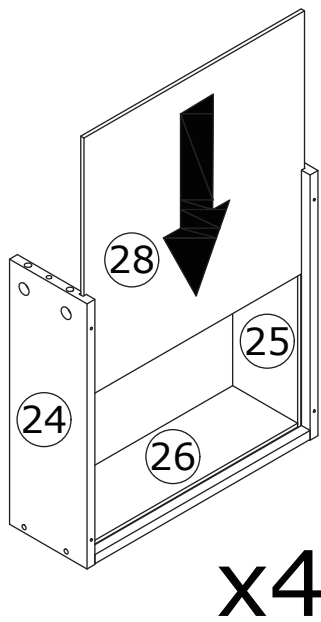
Secure panel 24 and 25 to panel 26 using screw (D).  
Secure panel 24 and 25 to panel 27 using screw (D).



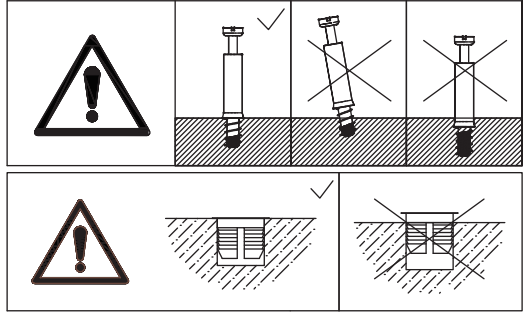
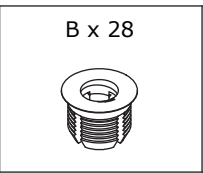
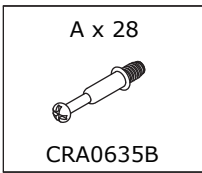
34



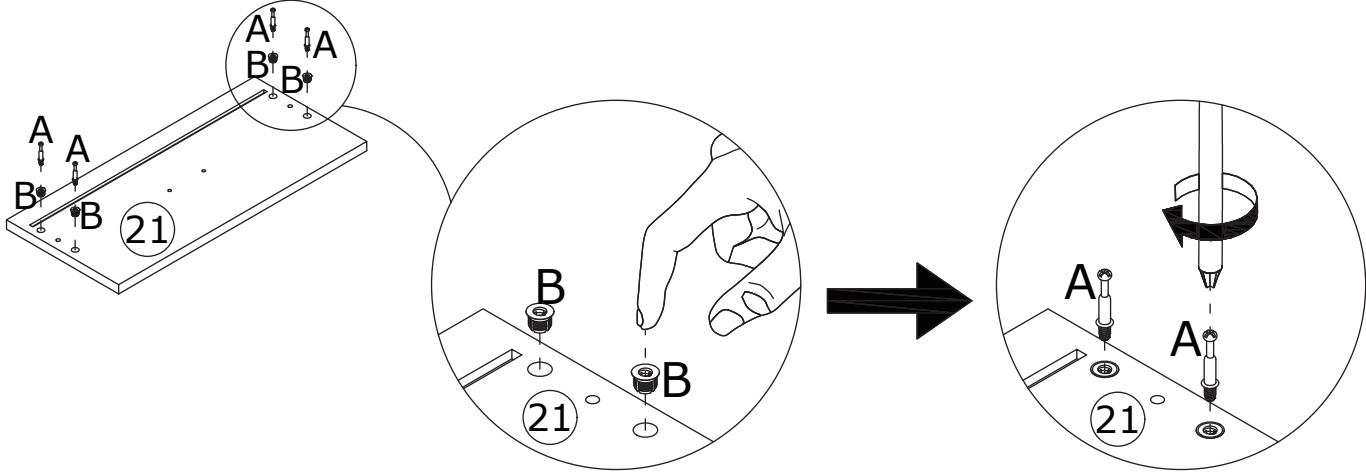
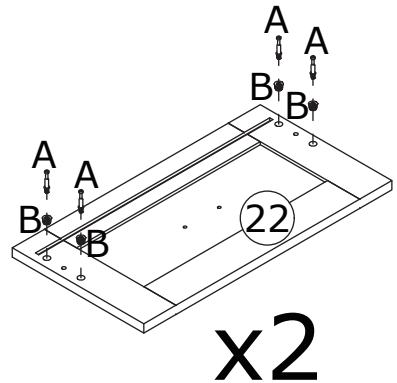
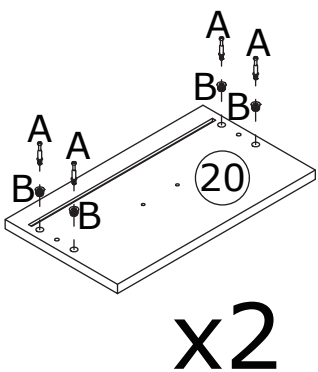
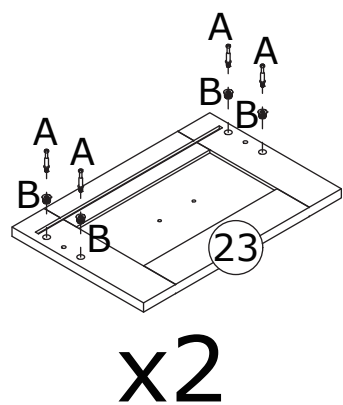
Insert panel 28 and 29 along the available slots.



35

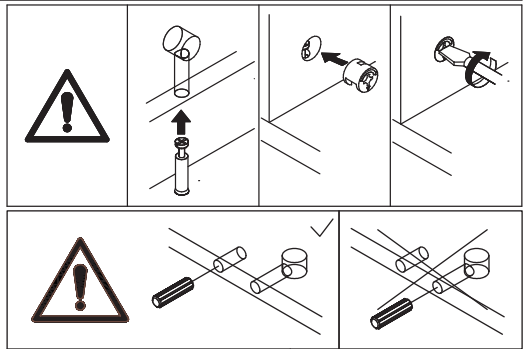


Insert plug (B) to panel 20, 21, 22, and 23, then screw self-tapping rod (A) onto.

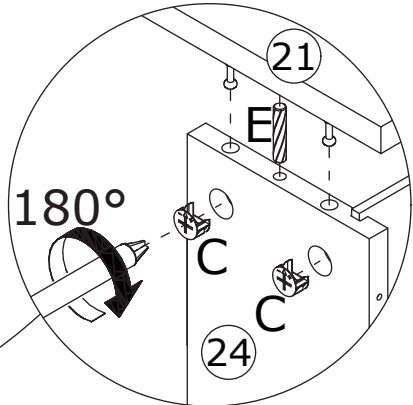
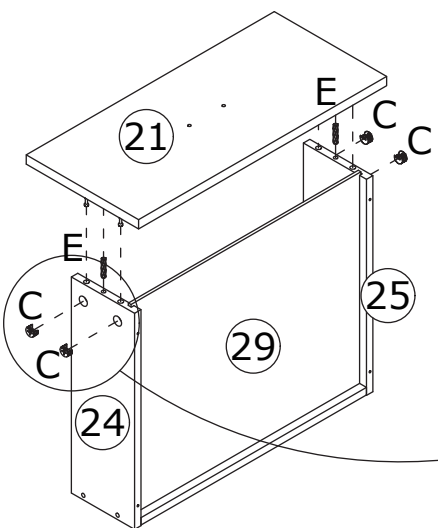
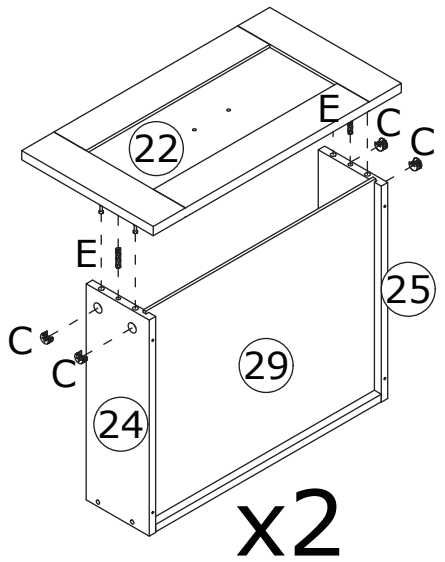
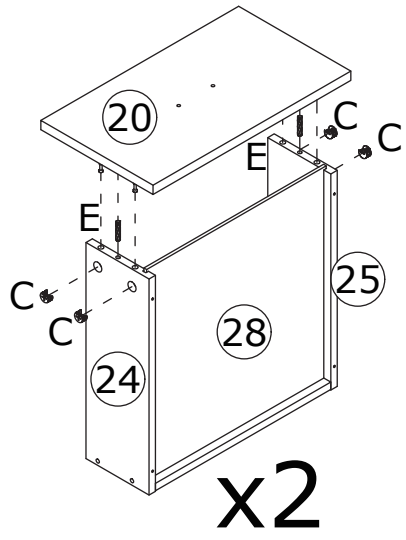
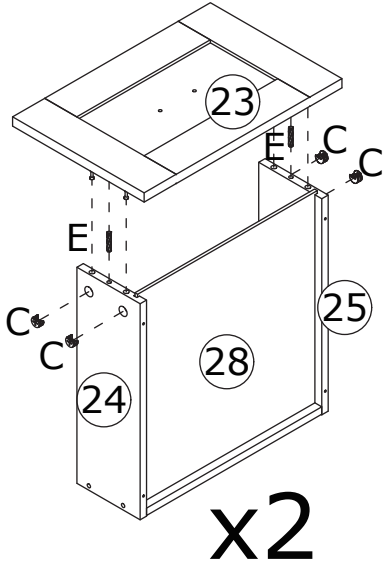


# 36

<p>C x 28</p>  <p>CRB1595A</p>	<p>E x 14</p>  <p>CRF0630A</p>	
---	---	---



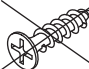
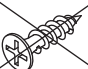


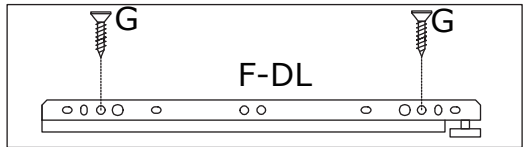
Connect panel 21 and 22 to panel 24, 25, and 29 using dowel (E).  
 Connect panel 20 and 23 to panel 24, 25, and 28 using dowel (E).  
 Insert the eccentric wheel (C) and tighten it by turning clockwise.



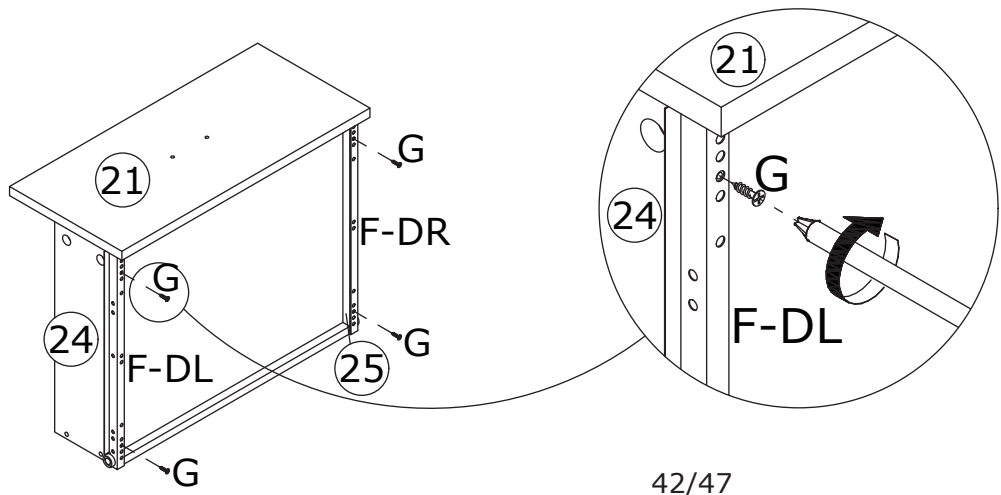
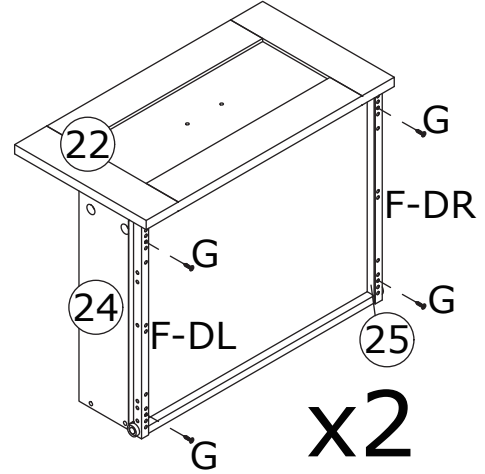
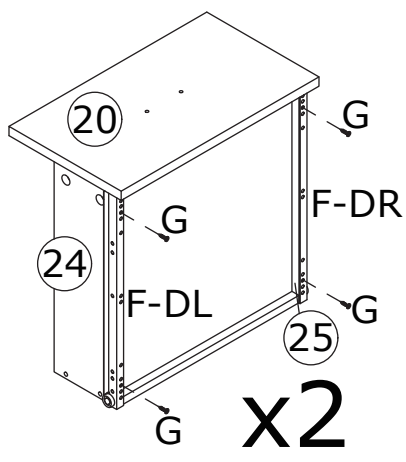
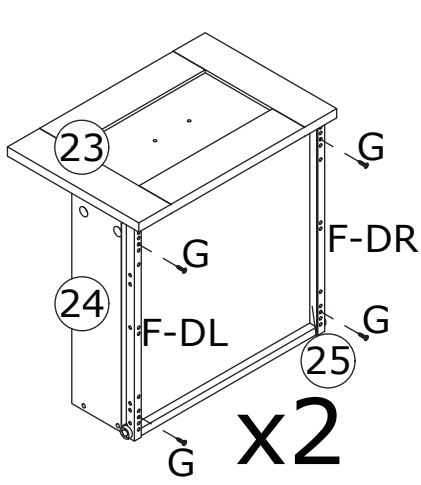
37

F x 7 DL DR WX1014A	G x 28 CRD3512A	
------------------------------	--------------------	---

	G  CRD3512A	<del>K</del>  CRD3514A	<del>V</del>  CRD0314A
--	--	---	---


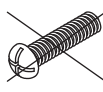



Secure slide rail (F-DL) and (F-DR) to panel 24 and 25 using screw (G).

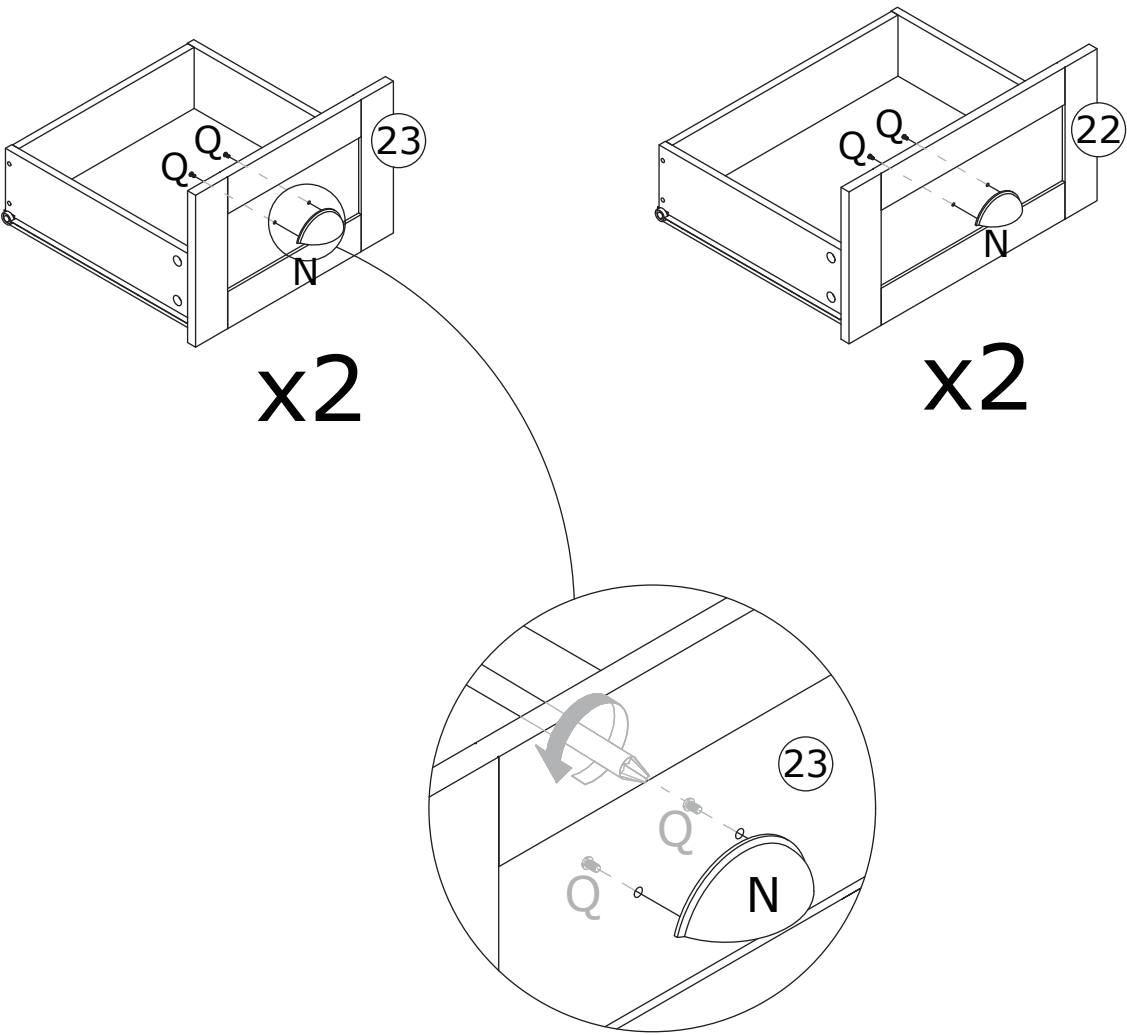


38

N x 4 	Q x 8  CRE0408A	
--	--	---



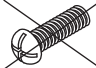
	P  CRE0418A	Q  CRE0408A
---	--	--

Secure pull (N) to panel 22 and 23 using screw (Q).

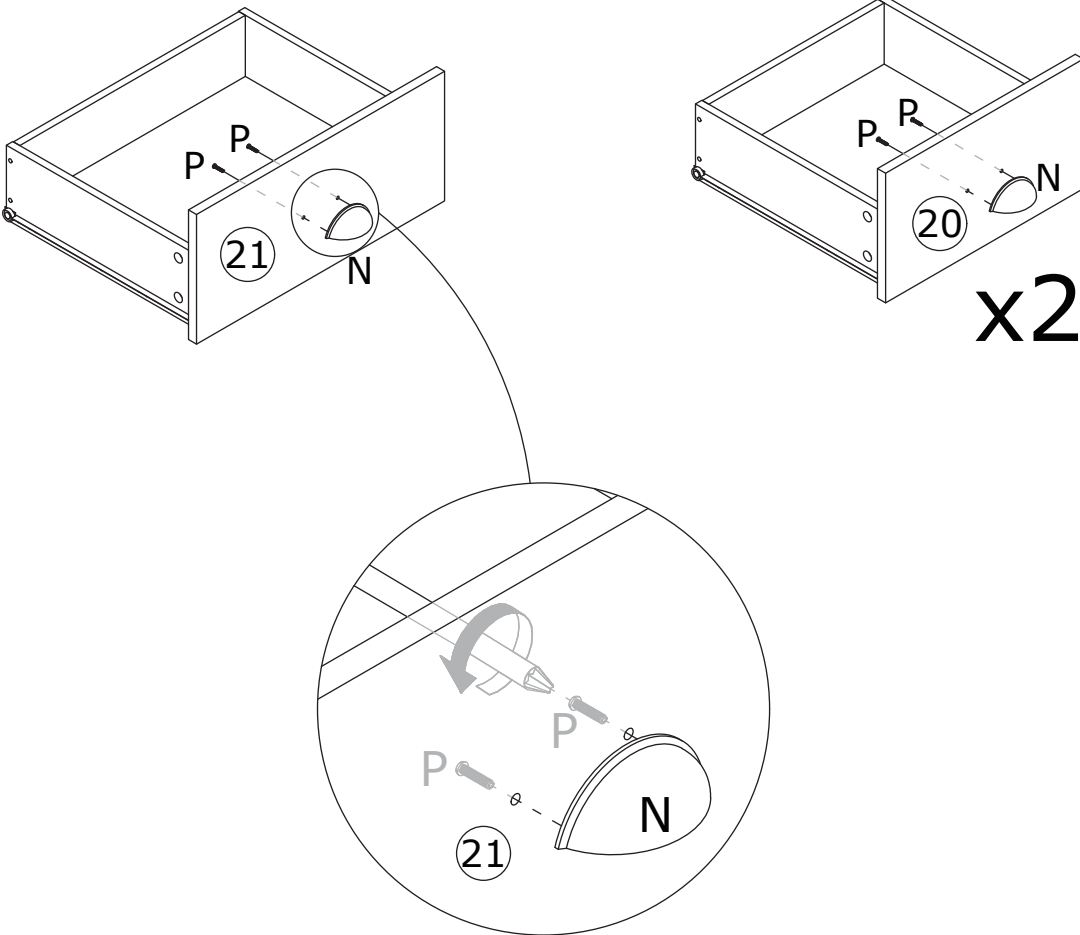


39

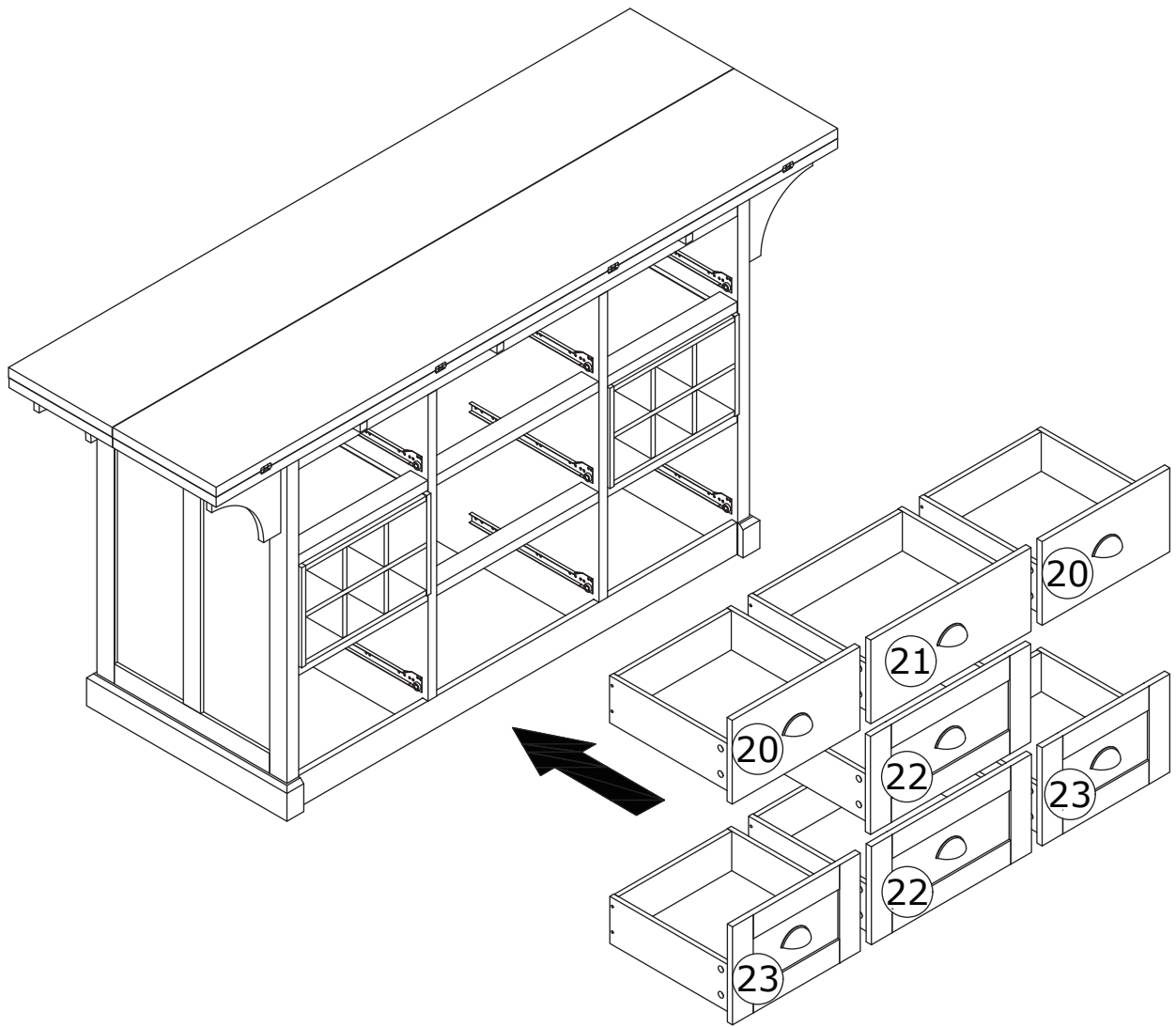
N x 3 	P x 6  CRE0418A	
--	--	---

	P  CRE0418A	<del>Q</del>  <del>CRE0408A</del>
---	--	--

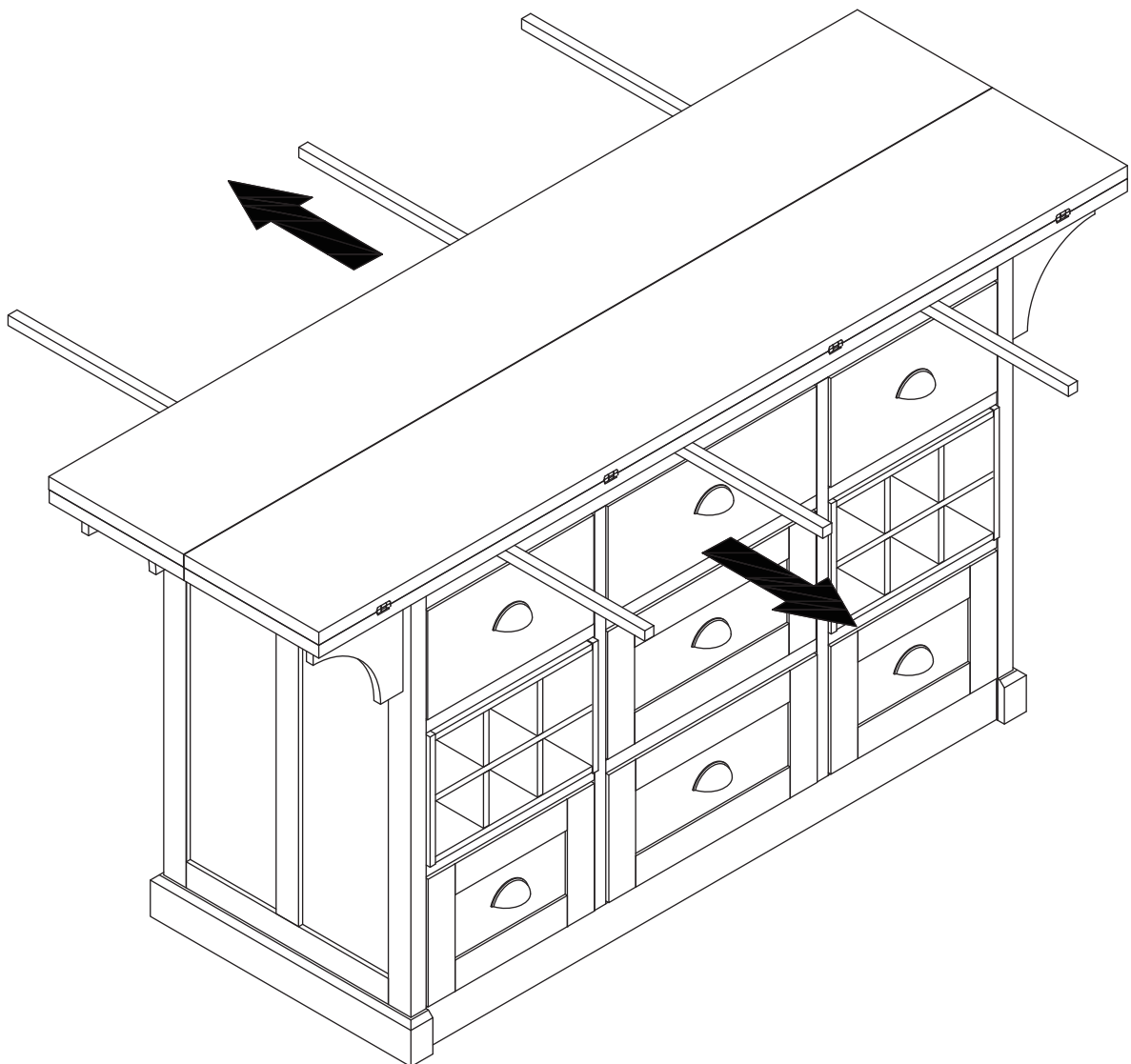
Secure pull (N) to panel 20 and 21 using screw (P).



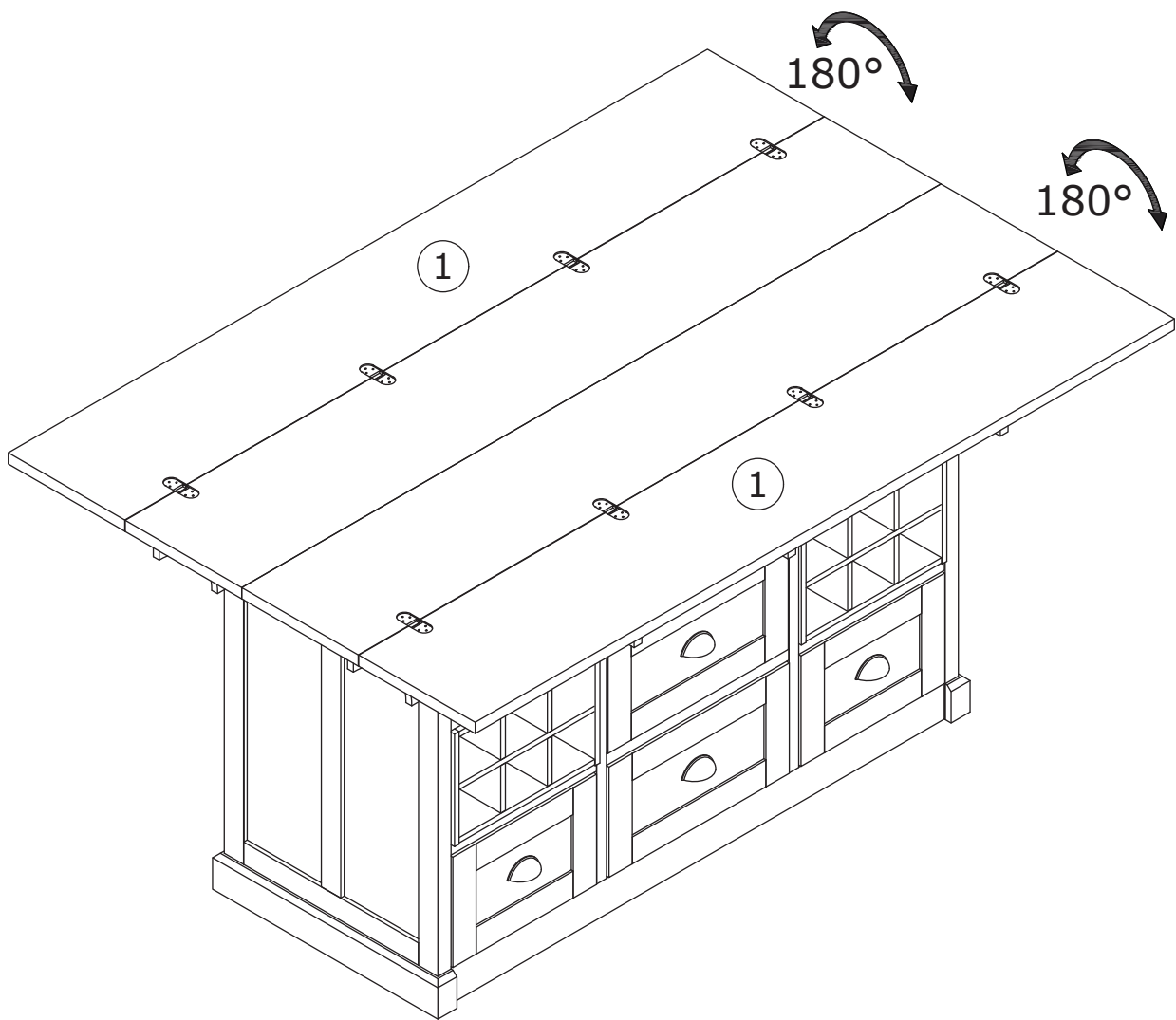
40



41



42



# WARRANTY

## WARRANTY CLAIMS

- There is a 30-day warranty for broken furniture or any other problems that do not work properly. The warranty will start from the date of purchase which must be verified by proof of purchase.
- Before making a claim, we may be able to answer your query, simply call us. Please leave your purchase order number, along with some details of the problem, if you want a replacement part. We will arrange within 48 hours. If there is out of stock, we will reply with a shipping date.
- The product must be used in accordance with the instructions provided. For health reasons.
- For other reasons, if the furniture needs to be returned, it must be cleaned and dried and operated within 30 days of receipt.

## Type of Warranty Claim

- Failure to follow the furniture instructions will invalidate the warranty. Attention please.
- Does not include damage during installation, but includes damage during transportation.

## Scope of responsibility

- Shall not bear any responsibility for misuse or user damage and / or loss of parts during the installation of furniture.
- After using, the damage and scratches of the furniture are not covered by the warranty.

## The Warranty Relates to All Bought in The Us and Covers The Following Areas

- Sheet parts: 1 month from the date of purchase.
- Electrical parts: 1 month from the date of purchase.

# RETURNS

## CHANGED YOUR MIND AND NEED TO RETURN YOU ITEM?

### PLEASE FOLLOW THE BELOW INSTRUCTIONS:

- If you have purchased and have simply changed your mind, follow the retailer's instructions for returns.

### DEFECTIVE ITEMS

- If your item is defective in any way, i.e. it doesn't work but you can't identify why, in the first instance, please call us.

### DAMAGED ITEMS

- If you receive an order with obvious shipping damage from the retailer, then we suggest the delivery is refused. If the delivery has been accepted and then shipping damage is found, please follow the specific instructions advised by the retailer.  
In all circumstances please save all packaging material and paperwork for the order. Please be aware that if you dispose of packaging material or attempt to return the merchandise without contacting the fulfiller, you jeopardise your chances of making a claim, and you may not receive a credit for the return.

### AFTER-SALES CONTACT



[adelahu@fufugaga.com](mailto:adelahu@fufugaga.com)



208-820-0068