

ASSEMBLY INSTRUCTIONS

Cane Cabinet

ASSEMBLY
REQUIREMENTS

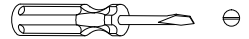
2 Hours
Assembly Time
(Approximate)

2-Person
Assembly

Tools Required:



(Not Provided)

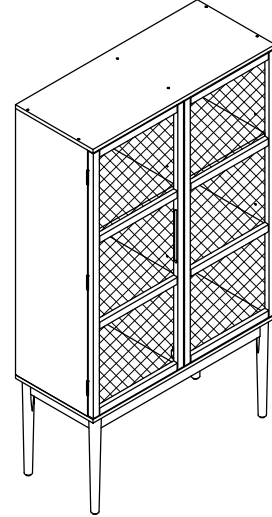


Thank you for purchasing our product!

Please refer and use this assembly instruction to assemble the product. Contact our customer service department in case there are any missing or damage parts or hardware. Replacement parts are normally shipped within 2 or 3 days.

PRODUCTS PURCHASED THROUGH OUR
AUTHORIZED VENDORS ONLY ARE ELIGIBLE
FOR REPLACEMENT PARTS.

We appreciate your business!



**THIS PRODUCT IS FOR INDOOR AND HOUSEHOLD USE ONLY -
NOT FOR COMMERCIAL USE.**

ASSEMBLY PREPARATION

1. Remove all packaging materials, staples and packing straps from the carton.
2. Refer to Parts List and Hardware List, and ensure parts and hardware are correct before assembly.
Contact customer service for missing parts.
3. Place all wooden parts on a clean, flat and soft surface (e.g. carpet or rug) to prevent scratch and damage to parts.

SAFETY PRECAUTION

1. KEEP ALL HARDWARE PARTS OUT OF REACH OF CHILDREN.
2. DISPOSE PLASTIC PACKAGING MATERIAL IMMEDIATELY TO AVOID ANY RISK OF SUFFOCATION TO CHILDREN AND ANIMALS.

TIPS FOR ASSEMBLY

1. Allow ample room for assembly and assemble the product near where the product will be placed.
2. Assemble the product on a surface that does not scratch or damage the exterior gloss and finish of the furniture.
3. Identify all of the parts, hardware and quantities required for each step.
4. During assembly, do not over-tighten any fittings as this may cause damage.
5. DO NOT USE POWER TOOLS TO ASSEMBLE THIS PRODUCT.
6. Always place the product on a flat, level surface.
7. Do not sit or stand on the partially assembled product; only use the product for which it is intended.

CARE AND MAINTENANCE

- Use a slightly damp cloth to clean the product.
- Do not use bleach or abrasive cleaning material.
- Check all the fittings periodically and re-tighten as necessary.
- Do not use the product if any of the parts is damaged or broken.
- Never allow any kind of liquid to remain on your furniture. Absorption can cause wood to warp or delaminate.
- Do not place hot items (e.g. hot drinks) directly onto the wood surface.
- Do not drag and/or pull the furniture.

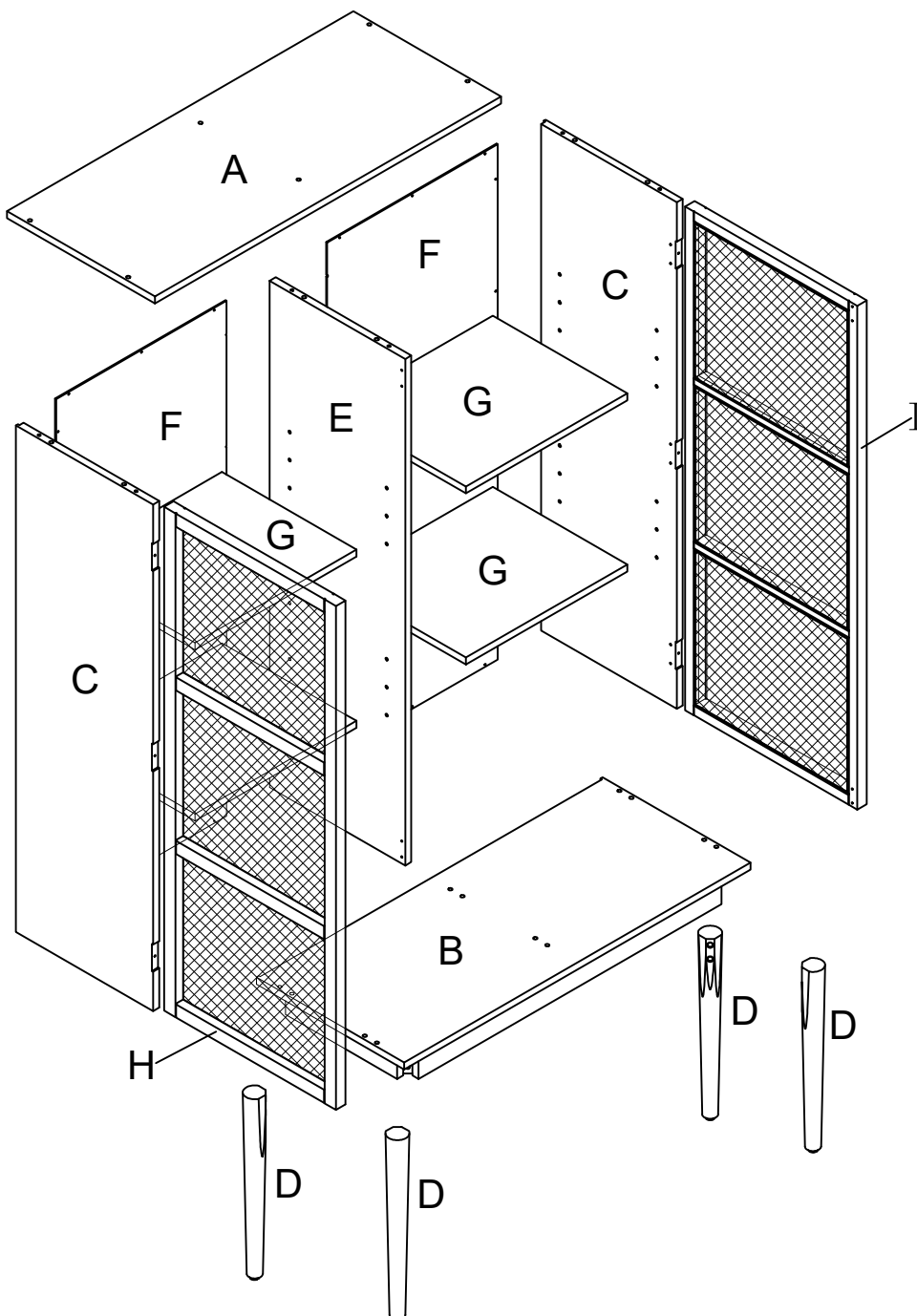
ASSEMBLY INSTRUCTIONS

Cane Cabinet

PARTS LIST

NO.	PART NAME	QTY	NO.	PART NAME	QTY
(A)	Top Panel	1	(F)	Back Panel	2
(B)	Bottom Panel	1	(G)	Adjustable Shelf	4
(C)	Side Panel	2	(H)	Left Door	1
(D)	Leg	4	(I)	Right Door	1
(E)	Partition Panel	1			

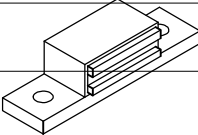

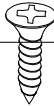
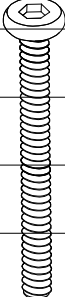
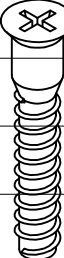
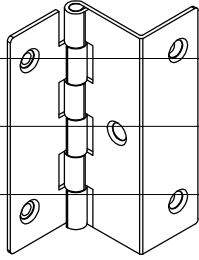


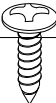
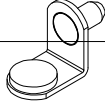
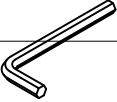
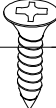
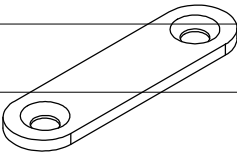
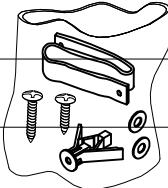
ASSEMBLY OVERVIEW




ASSEMBLY INSTRUCTIONS

Cane Cabinet

HARDWARE LIST

					4CM 3CM 2CM 1CM 0CM
4X 45*12mm 1 Door Magnet	12X ø8*30mm 2 Wood Dowel	38X Ø3.5*12mm 3 Screw	8X ø1/4"*45mm 4 Screw	12X ø7*38mm 5 Screw	
					4CM 3CM 2CM 1CM 0CM
6X 42*18mm 6 Hinge	8X Ø1/4" 7 Flat Washer	8X Ø1/4" 8 Spring Washer	27X Ø3*15mm 9 Screw	16X ø6.5mm 10 Shelf Holder	
					3CM 2CM 1CM 0CM
1X 4mm 11 Allen Wrench	8X ø3.5*14mm 12 Screw	4X 45*12*2mm 13 Door Small Plate	1 SET 14 Safety Strap Kit		

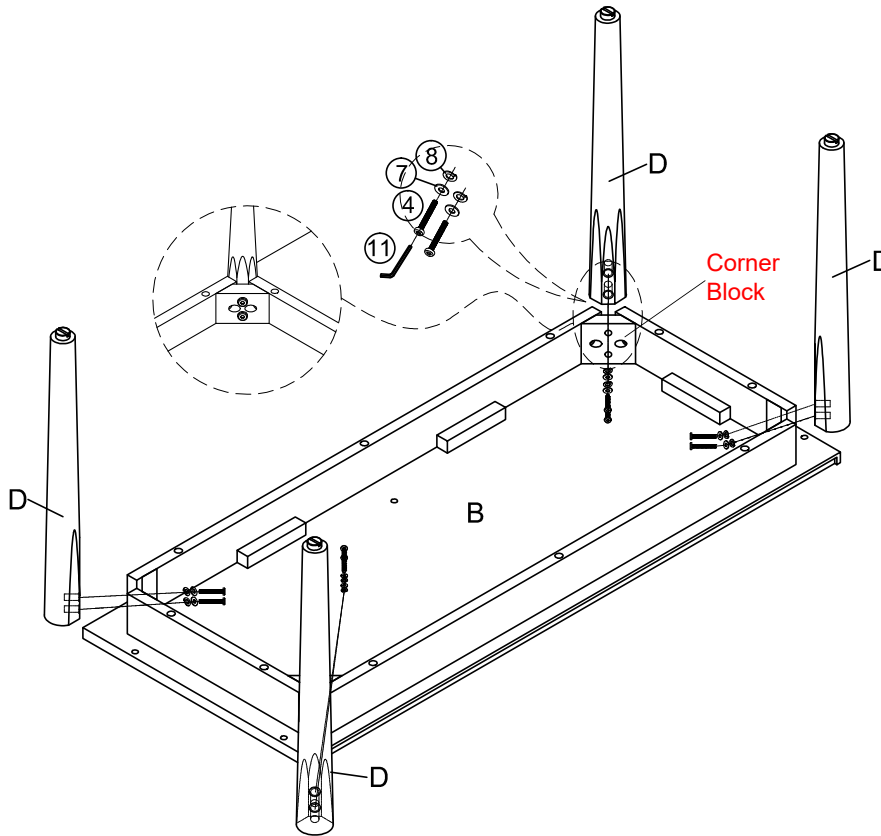
EXTRA HARDWARE

			
ø8*30mm 2PCS Wood Dowel	ø7*38mm 2PCS Screw	ø3.5*12mm 4PCS Screw	ø3*15mm 4PCS Screw

ASSEMBLY INSTRUCTIONS

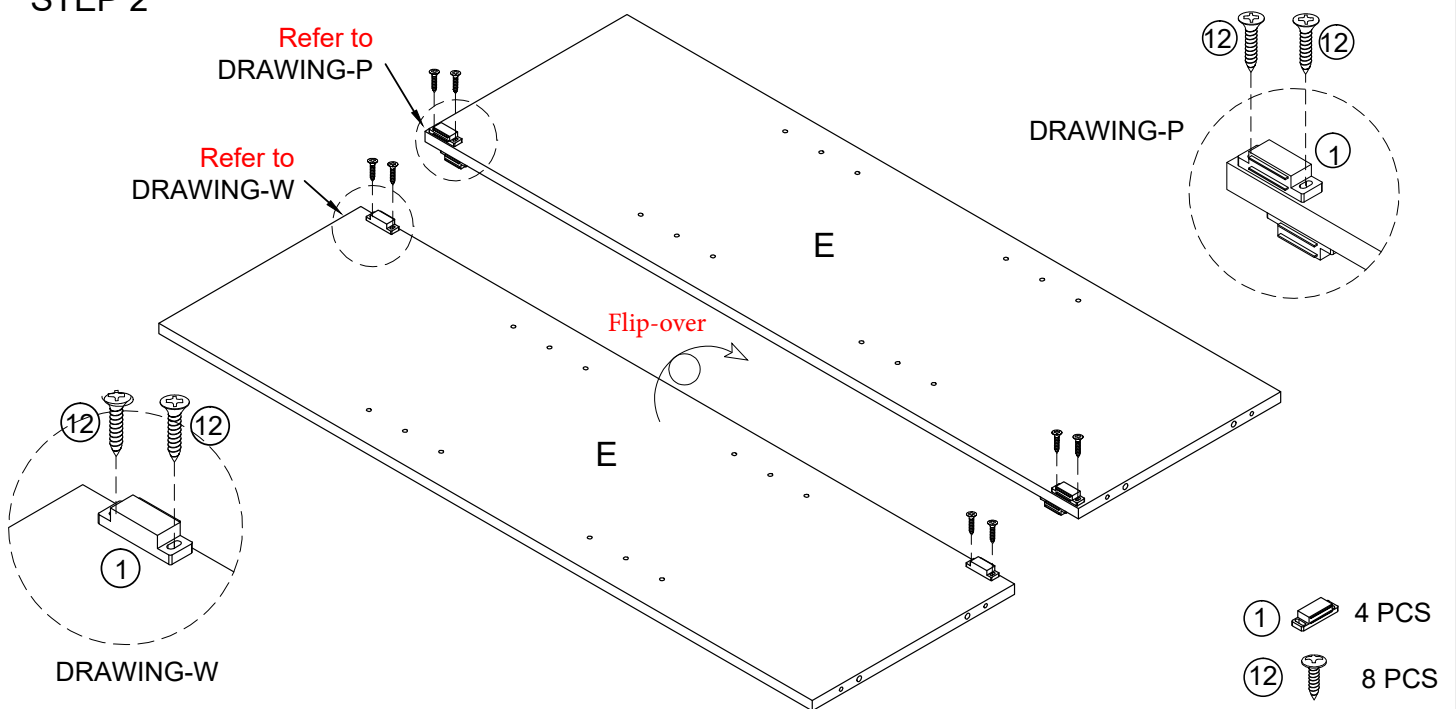
Cane Cabinet

STEP 1



- a) With assistance, lay Bottom Panel (B) flat with the bottom-side facing up on a material that does not scratch the part.
- b) Position Leg (D) with bolt holes facing and align to the holes on the Corner Block at each corner of (B).
- c) Next, insert Screw (4) fitted with Flat Washer (7) and Spring Washer (8) into the bolt holes and use Allen Key (11) to tighten (4). Do not tighten completely until both screws are in place on each leg.

STEP 2

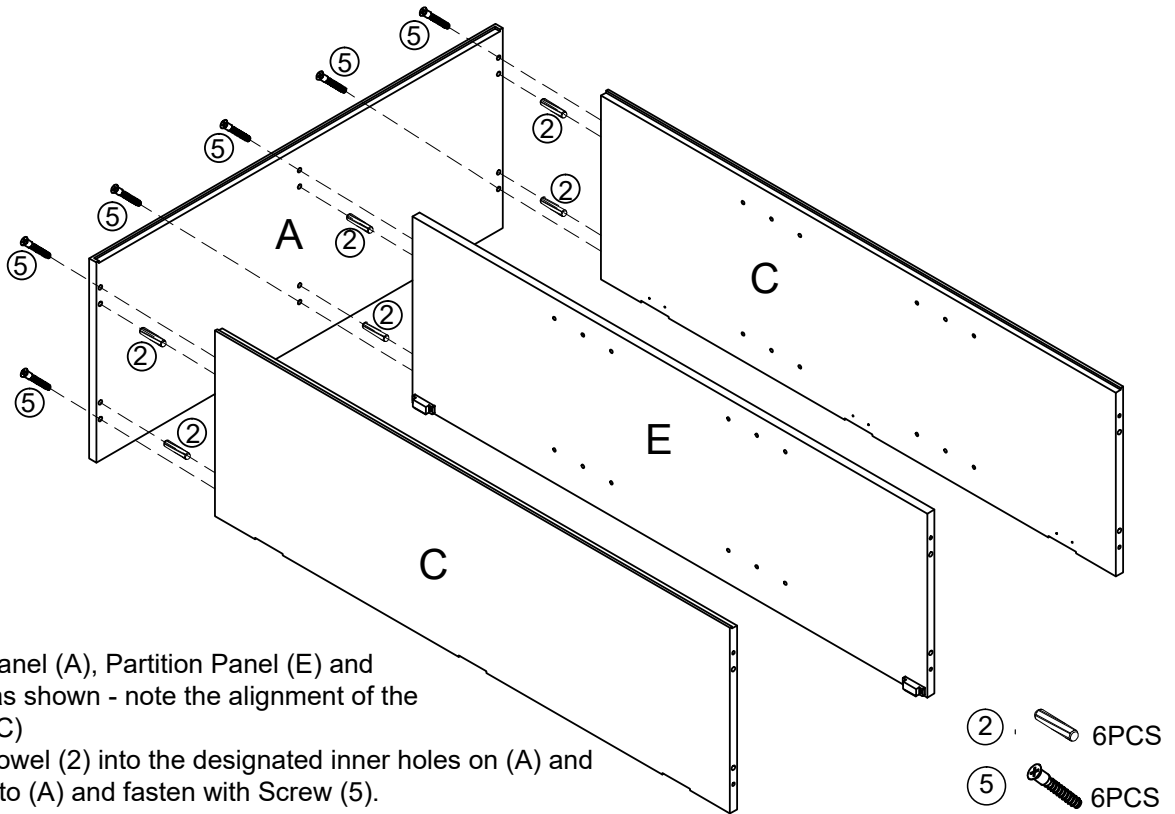


Lay Partition Panel (E) flat on one side as shown on a material that does not scratch the part - refer to Drawing W - and use Screw (12) to fasten Door Magnet (1) at the designated location on (E). Next, flip (E) over - refer to Drawing P - and install the other two Door Magnet.

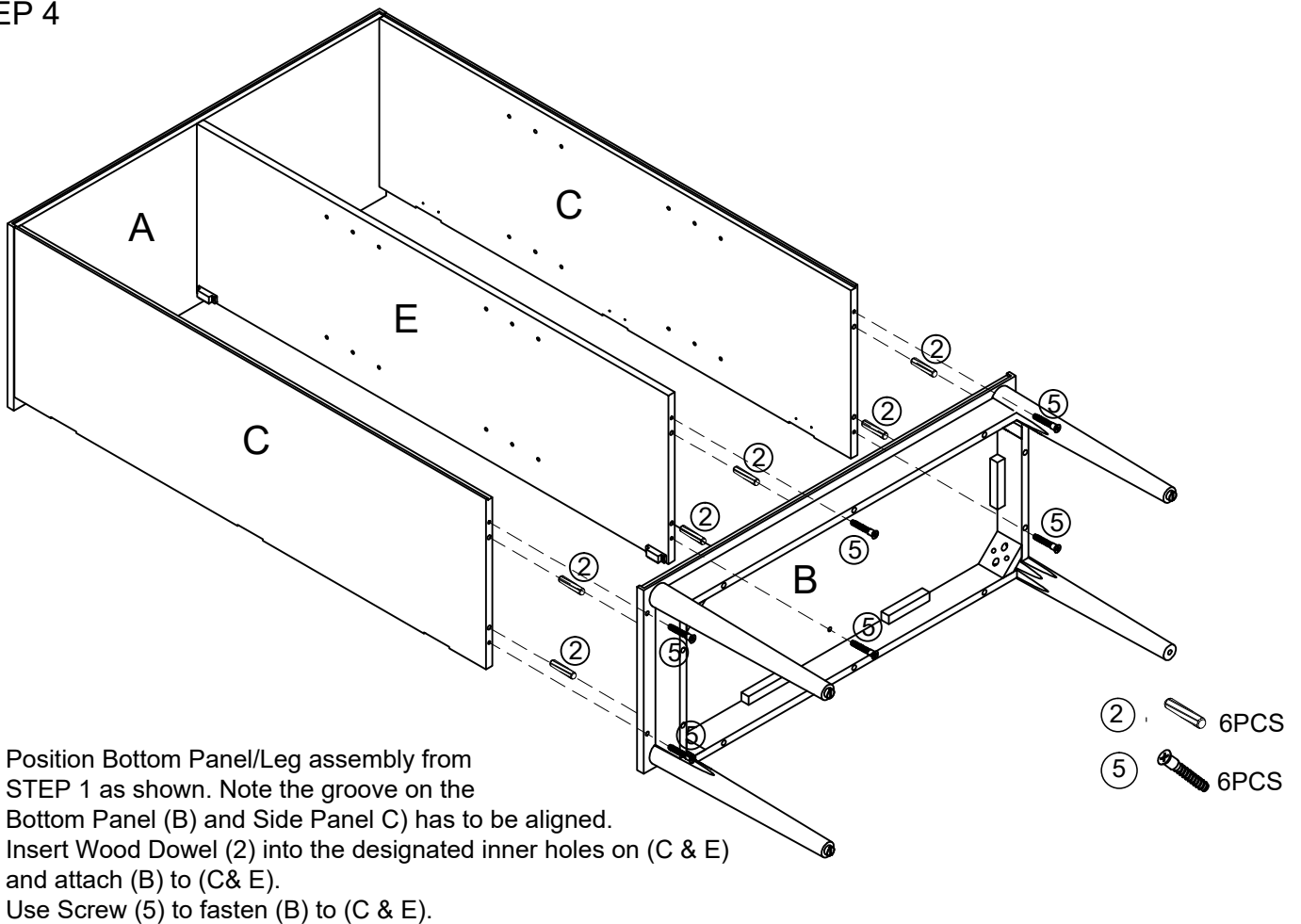
ASSEMBLY INSTRUCTIONS

Cane Cabinet

STEP 3



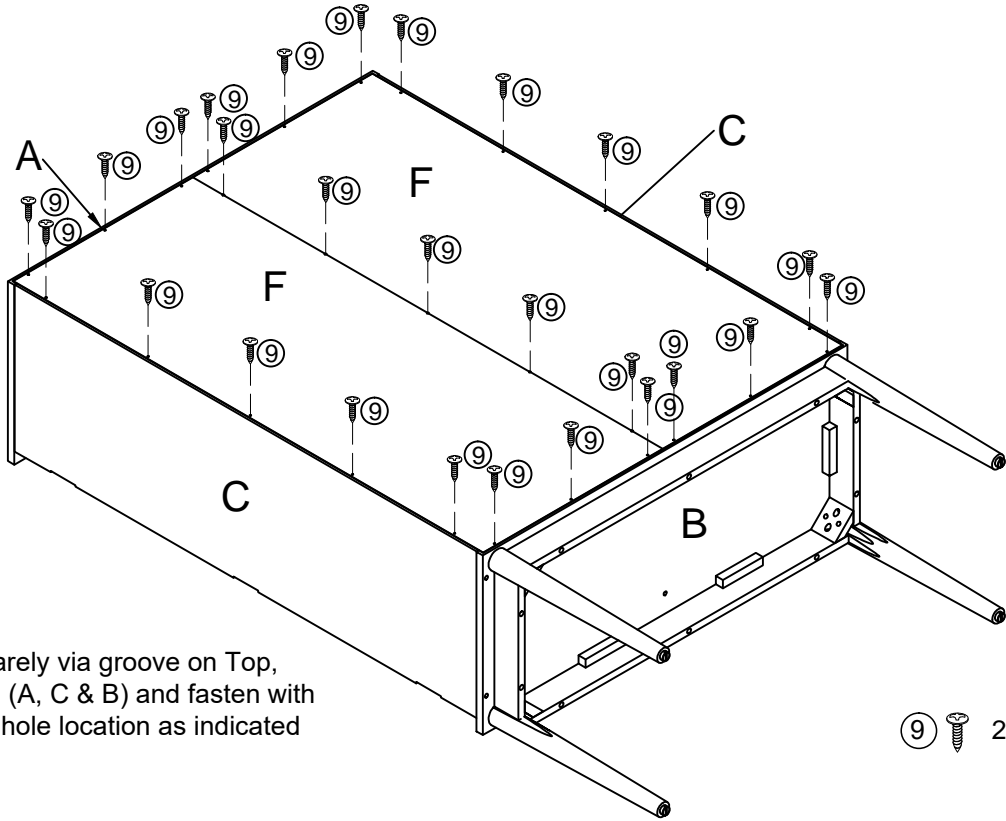
STEP 4




ASSEMBLY INSTRUCTIONS

Cane Cabinet

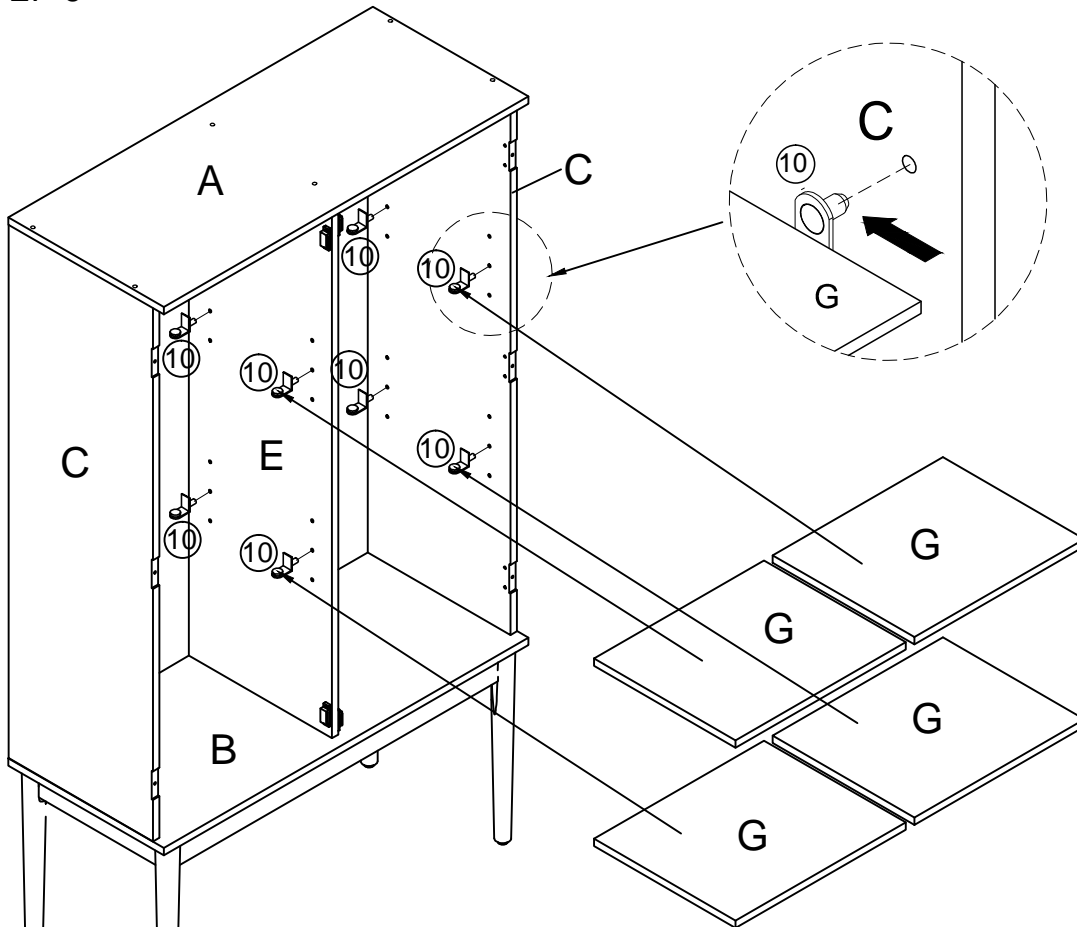
STEP 5




Fit Back Panel (F) squarely via groove on Top, Side and Bottom Panel (A, C & B) and fasten with Screw (9) at each pilot hole location as indicated

⑨  27PCS

STEP 6



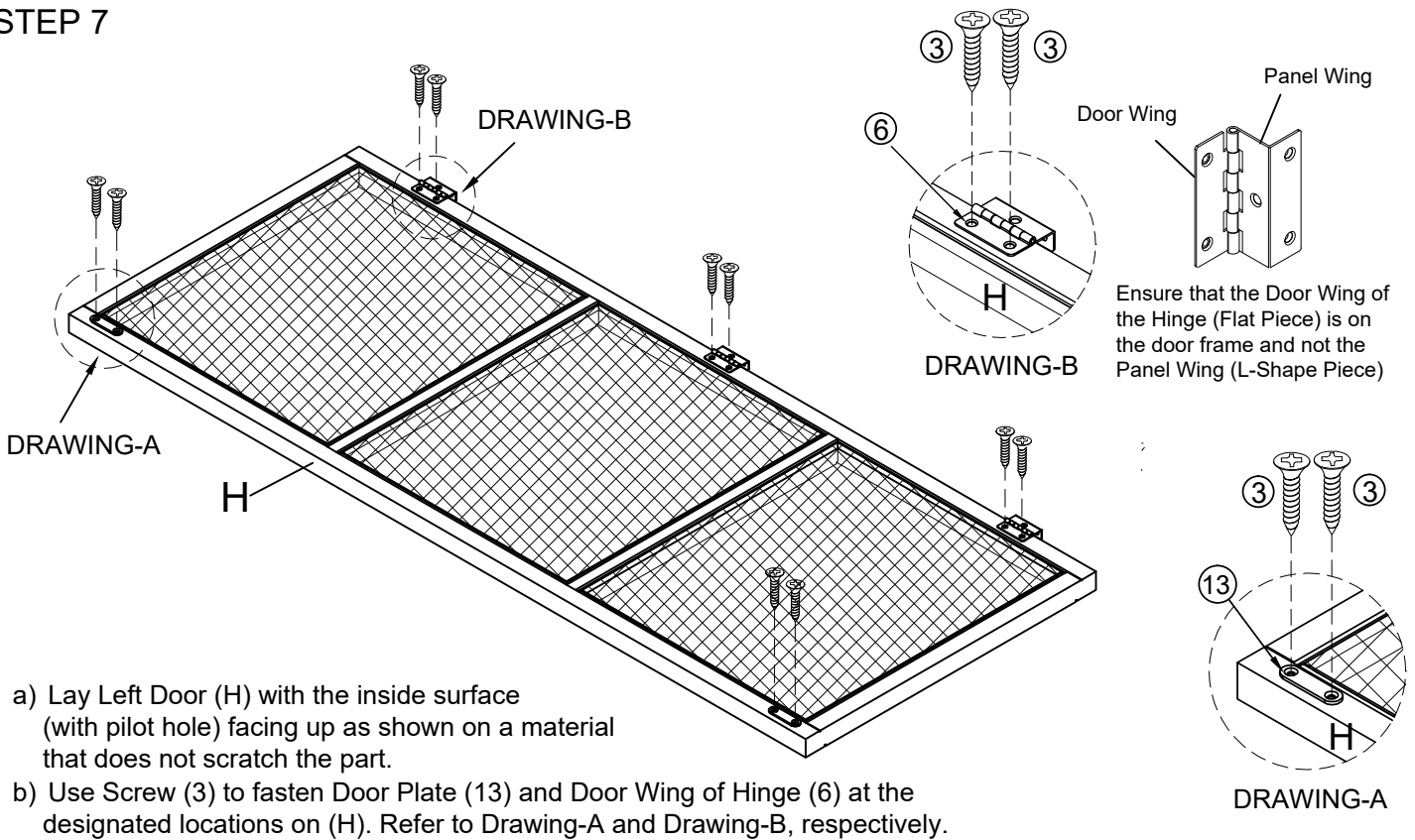
⑩  16PCS

- a) Insert Shelf Holder (10) into the designated holes on the same level at the desired height on Side Panel (C) and Partition Panel (E).
- b) Place Shelf (G) by tilting it to fit between (C & E) and then level it to sit on (10).

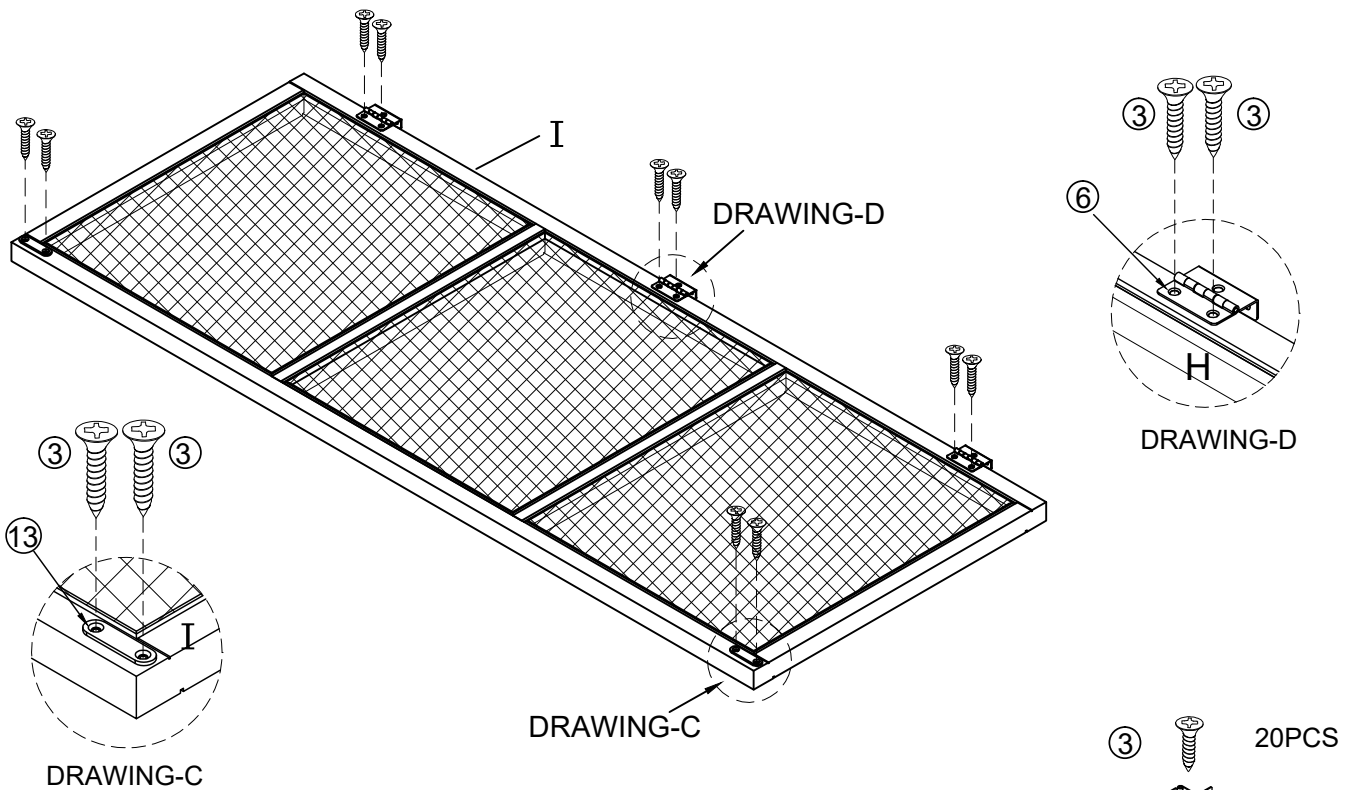
ASSEMBLY INSTRUCTIONS

Cane Cabinet

STEP 7



- a) Lay Left Door (H) with the inside surface (with pilot hole) facing up as shown on a material that does not scratch the part.
- b) Use Screw (3) to fasten Door Plate (13) and Door Wing of Hinge (6) at the designated locations on (H). Refer to Drawing-A and Drawing-B, respectively.



- c) Lay Right Door (I) with the inside surface (with pilot hole) facing up as shown on a material that does not scratch the part
- d) Use Screw (3) to fasten Door Plate (13) and Door Wing of Hinge (6) at the designated locations on (H). Refer to Drawing-C and Drawing-D, respectively.

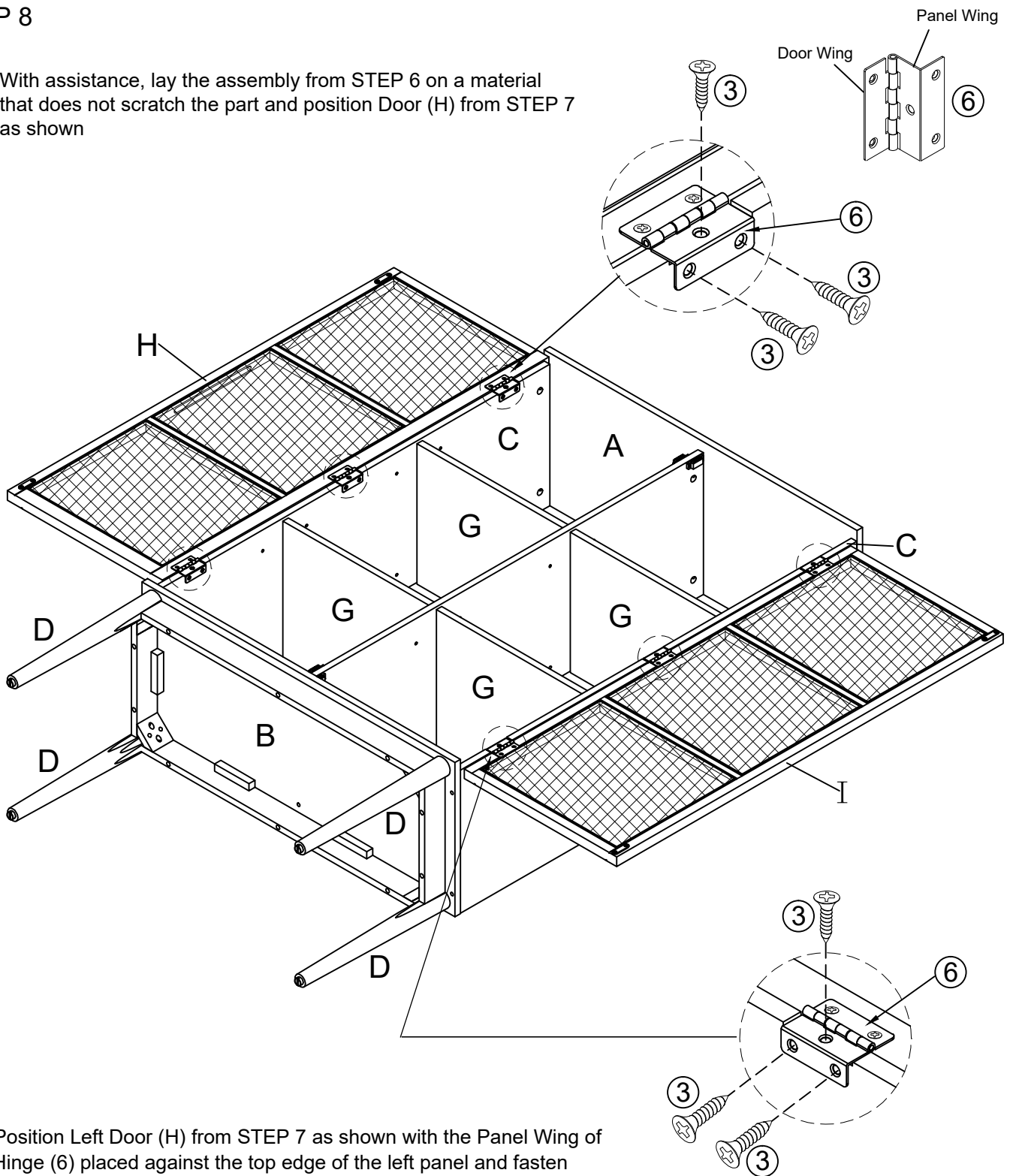
③		20PCS
⑥		6PCS
⑬		4PCS

ASSEMBLY INSTRUCTIONS

Cane Cabinet

STEP 8

- a) With assistance, lay the assembly from STEP 6 on a material that does not scratch the part and position Door (H) from STEP 7 as shown


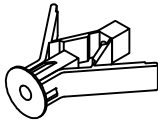



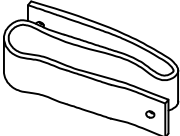


- b) Position Left Door (H) from STEP 7 as shown with the Panel Wing of Hinge (6) placed against the top edge of the left panel and fasten with Screw (3). Do not tighten the screws completely until all the screws are in place on the 3 hinges
- c) Use the same procedure above to install Right Door (I).
- d) Set the cabinet right-side up after the doors are installed.

③  18PCS

ASSEMBLY INSTRUCTIONS

Cane Cabinet

#14	A	B	C	D	E
			 D8*3/4"	 D8*1-1/2"	
Safety Strap Kit	Wall Anchor	Washer	Short Screw	Long Screw	Safety Wall Strap
1 SET	1 PC	2 PCS	1 PC	1 PC	1 PC

SAFETY WALL STRAP INSTALLATION

Install the safety strap to prevent tip-over which can cause damage and/or injury.

1. Insert Short Screw (C) through Washer (B) and Safety Strap (E) to screw onto the Back edge of Top Panel (A). Use a Phillips screwdriver to drive (C).
2. At the location where you want to secure the unit, drill a hole to fit Wall Anchor (A) snugly. The drilled hole has to level with safety strap on the back edge of (A).
3. Next, fit Wall Anchor (A) into the drilled hole.
4. Insert Long Screw (D) through Washer (B) and Safety Strap (E) to screw into Wall Anchor (A). Use a Phillips screwdriver to drive (D).

The assembly of the **cabinet** is complete.

