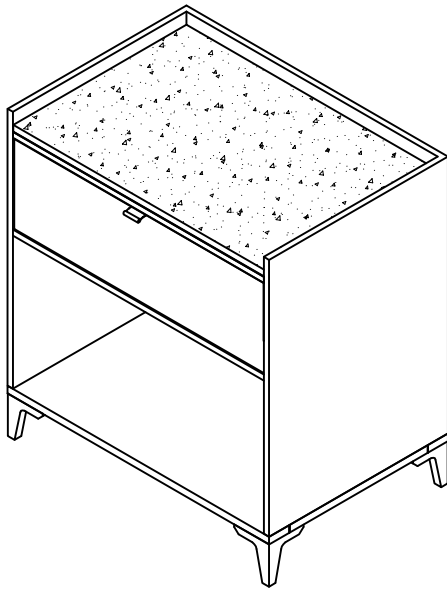







ASSEMBLY INSTRUCTION FOR MODEL: NIGHTSTAND

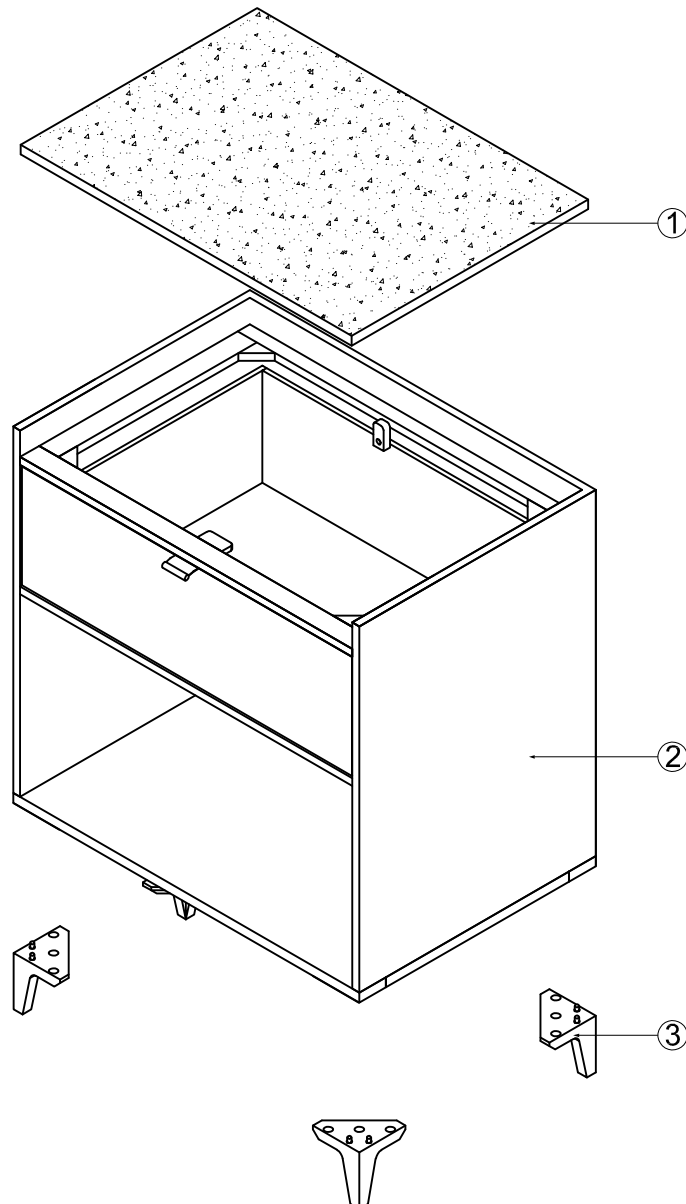
Thank you for purchasing this product. Be sure to check all packing material carefully for small Hardware which may have come loose inside the carton during shipment. Identify and count all hardware and compare with the hardware list below

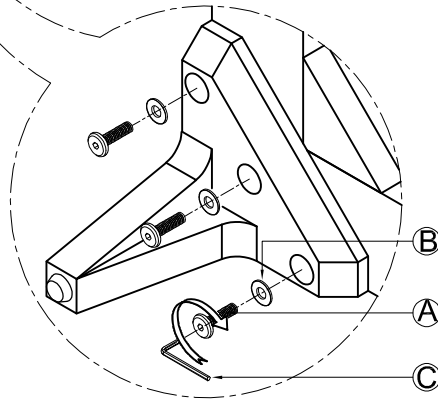
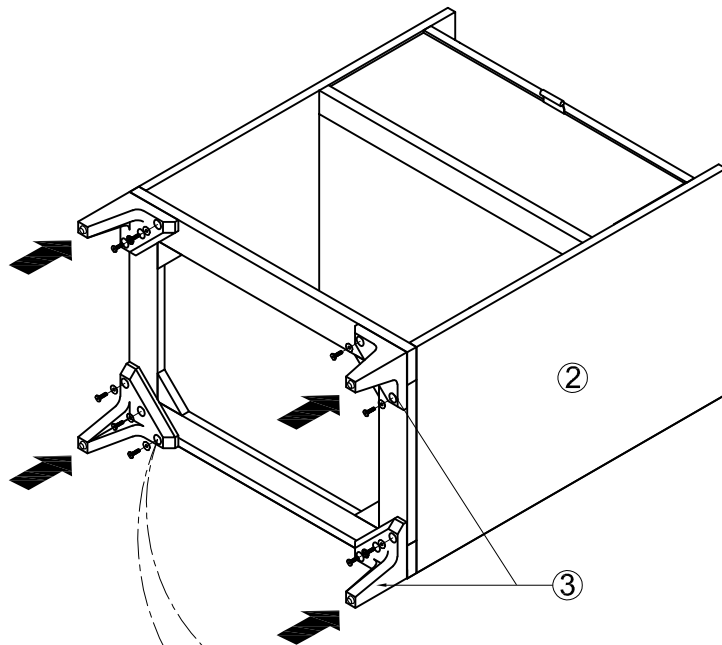


HARDWARE LIST

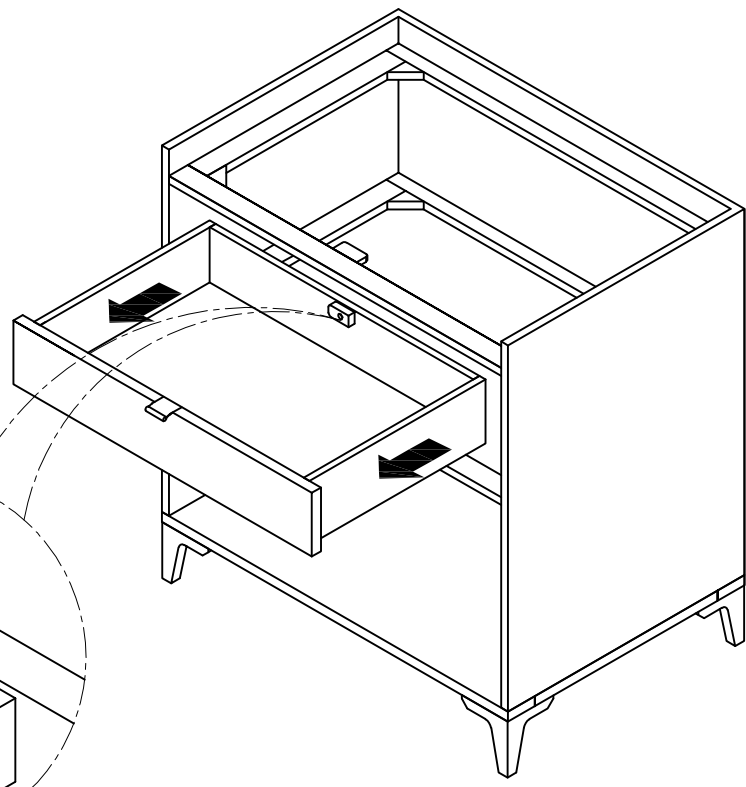
| | | | | |
|---|---|--------------|-----------|----|
| A |  | Bolt | M6x30mm | 12 |
| B |  | Flat Washer | 6x16mm | 12 |
| C |  | Allen Wrench | 4mm | 1 |
| D |  | Bracket | 19x19x2mm | 2 |
| E |  | Screw | M3.5x15mm | 4 |

| | | | |
|---|--|------------------|-------|
| F |  | Tipping Hardware | 1 SET |
|---|--|------------------|-------|

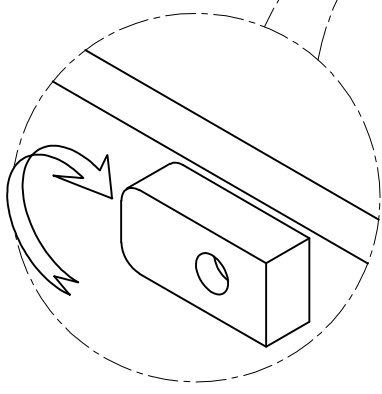


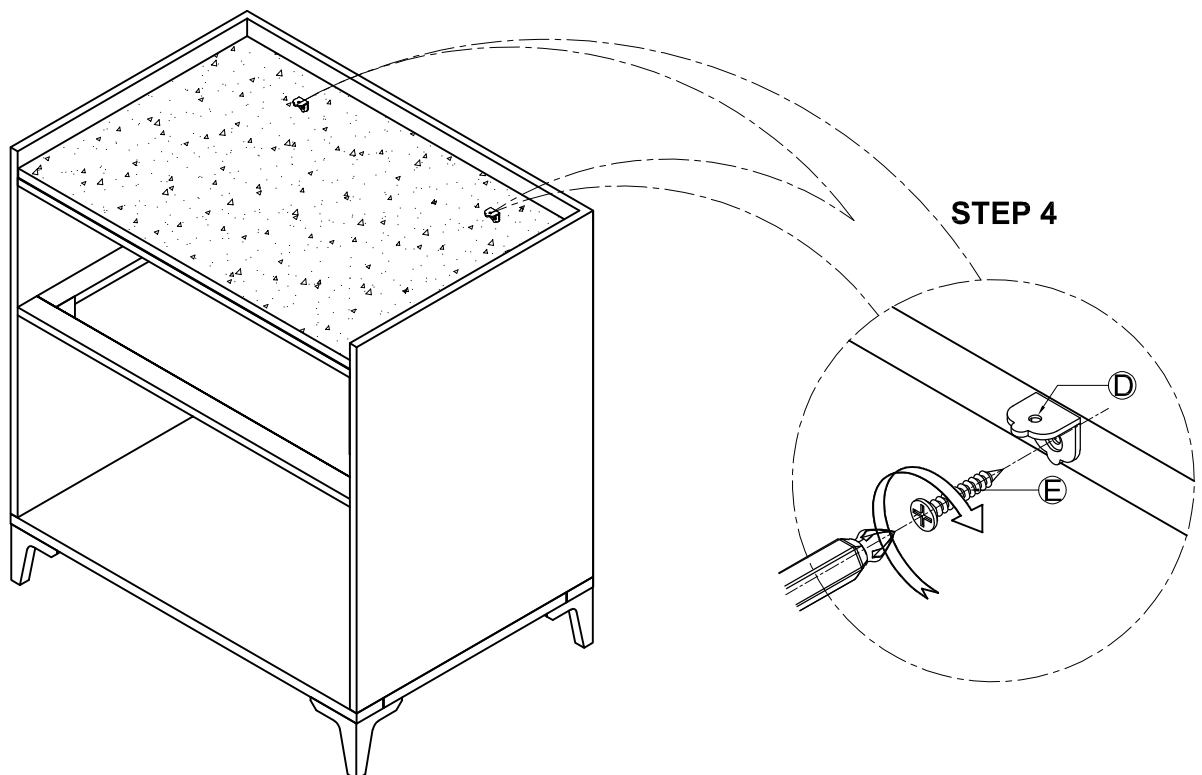
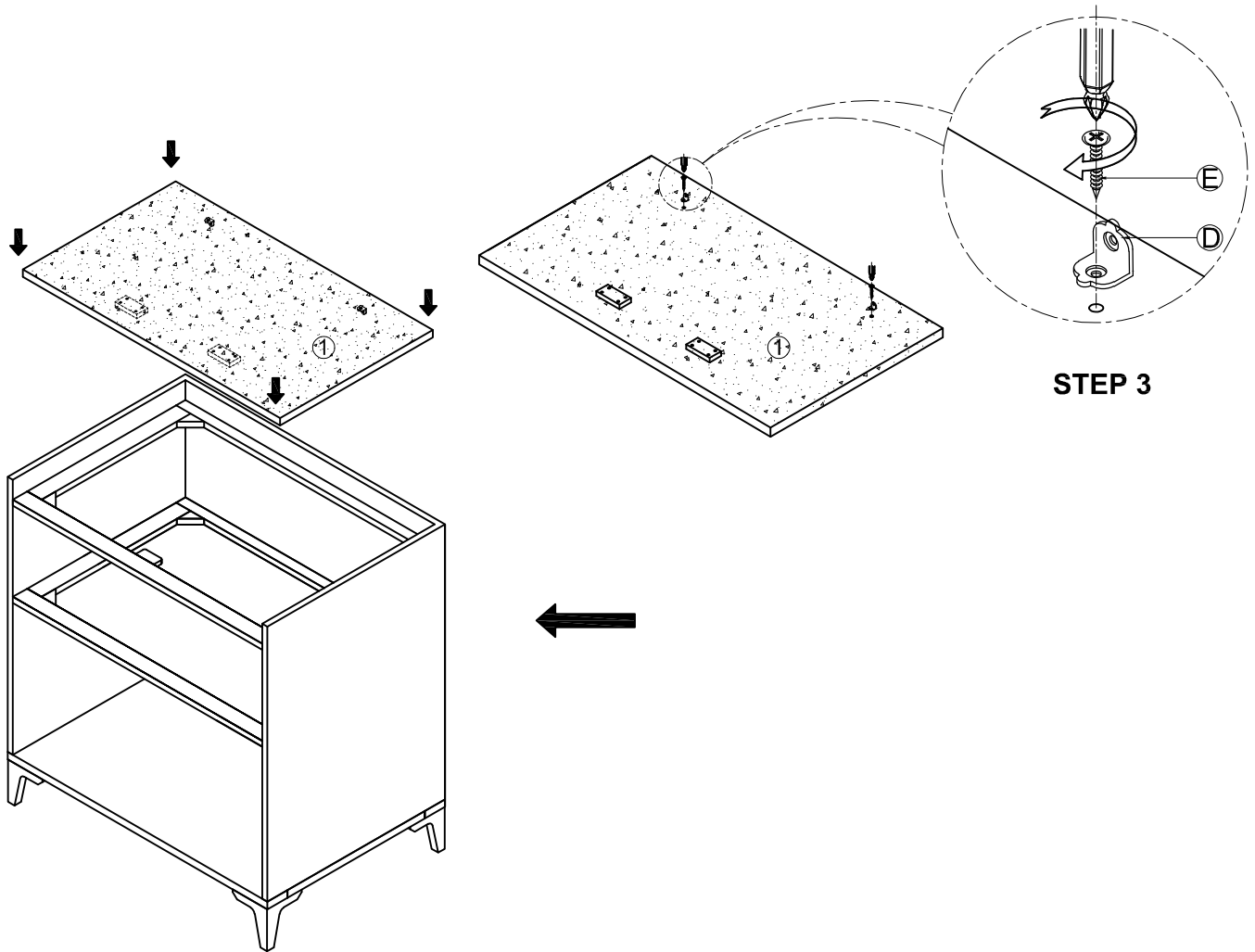


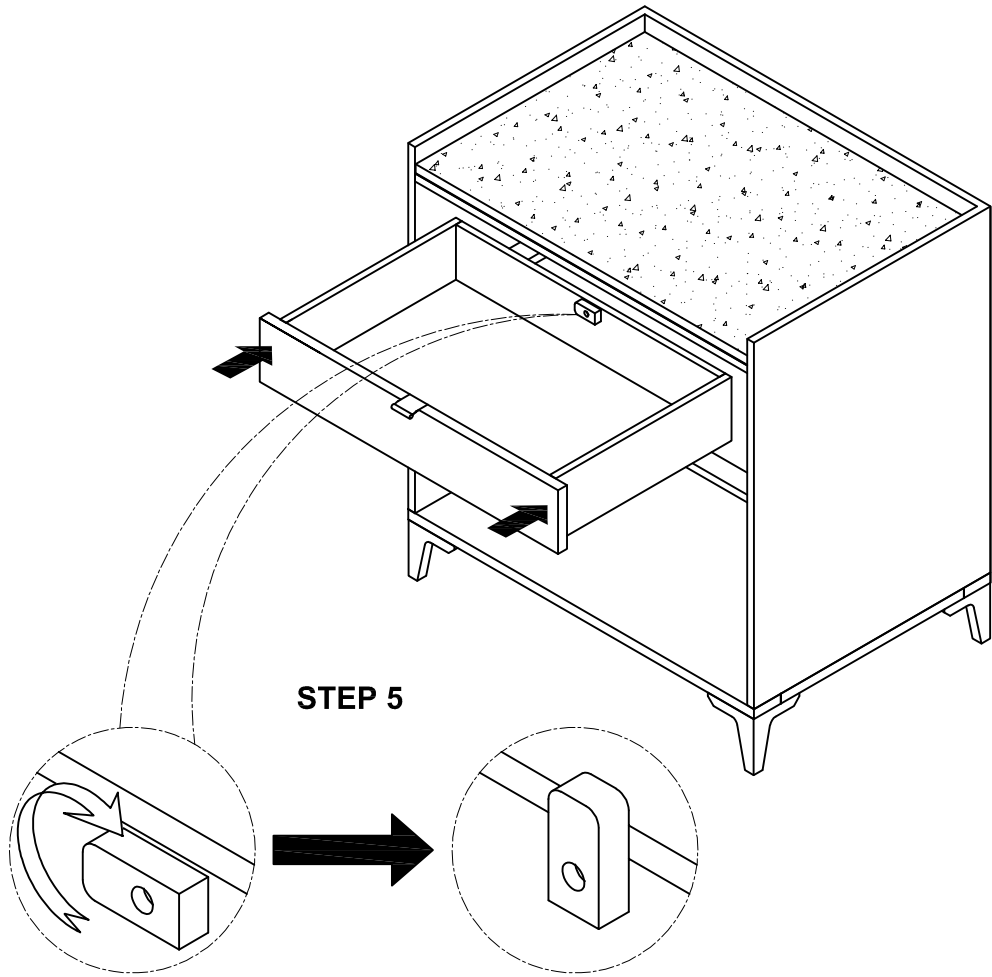
STEP 1



STEP 2







★ **REMARK:** There is a tip restraint kit provided on the back of this product please read the direction thoroughly and install immediately

Tipping Hardware

