












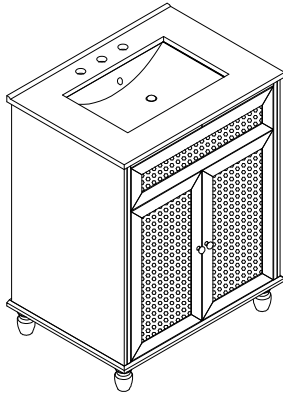
# Assembly Instructions

Caution : You must read this before you proceed

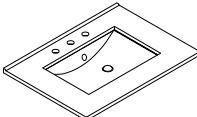
-  • Not for commercial use. For residential use only.
-  • Furniture may scratch floors. We recommend using furniture pads to protect your floors.
-  • Do not put hot items directly on furniture surface.
-  • Do not clean furniture with harsh cleansers or polish.
-  • Do not place furniture under direct sunlight.
-  • Do not place furniture near heating or cooling vents.
-  • Do not write on furniture without a padded barrier to protect the surface.
-  • Do not place furniture outside . For indoor use only.
-  • Stains may be removed with mild soap solution and damp cloth.
-  • Children should not climb or jump on the furniture.
-  • Dust and pick-up spills using a clean, non-colored, lint-free cloth.

Please look in CABINET SINK for hardware packs and legs.  
Sets often ship in multiple boxes and may arrive a day or two apart.


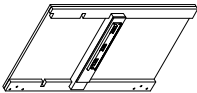
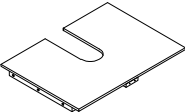
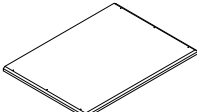
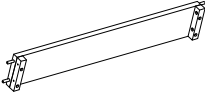
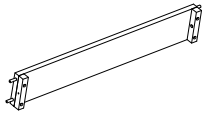
## CABINET SINK

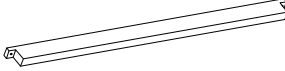
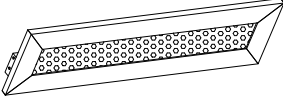
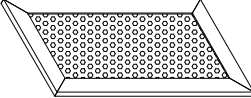
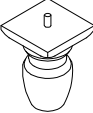
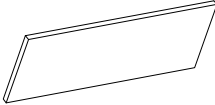

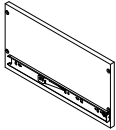
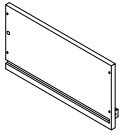
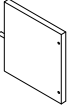
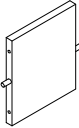
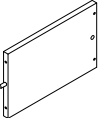


### Parts List

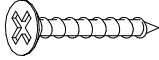
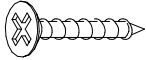
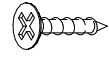
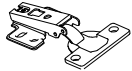






Label	Picture	Description	QTY
A		Sink	1

### Parts List

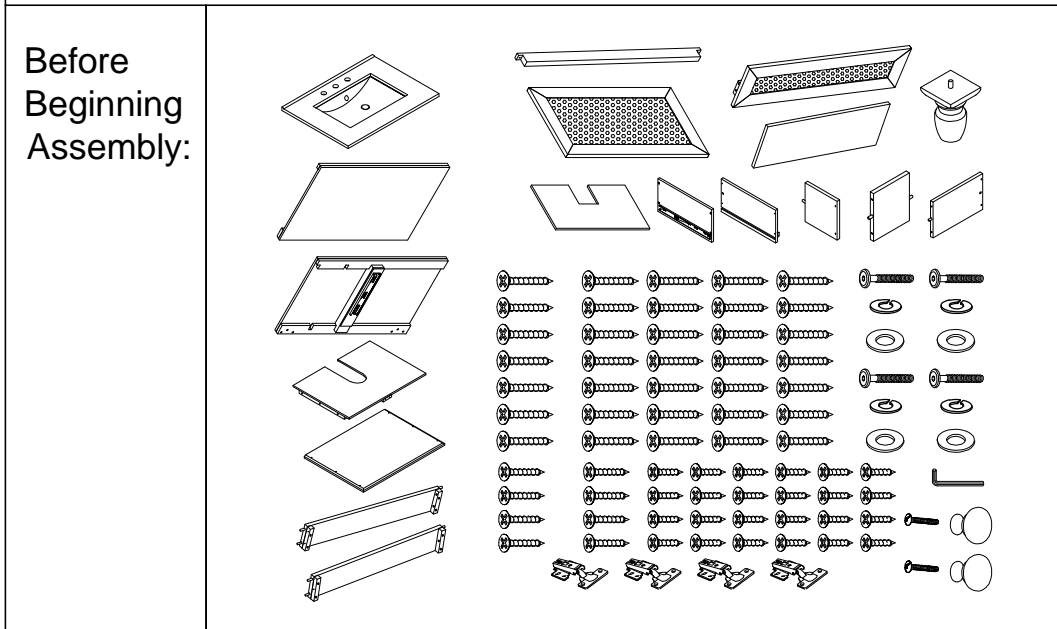
B		Left Frame Side	1
C		Right Frame Side	1
D		Shelf Frame	1
E		Bottom Plate	1
F1		Upper Back Connecting Bar	1
F2		Lower Back Connecting Bar	1

G		Front Connecting Bar	1
H		Front Decor Plate	1
I		Door	1
J		Leg	4
K		Drawer K Plate	1
L		Drawer Bottom Plate	1
M		Drawer Left Plate	1
N		Drawer Right Plate	1
P		Drawer P Plate	2
Q		Drawer Q Plate	1
O		Drawer O Plate	2

## Hardware

①		Screw (M4 x 30mm)	35 Extra1
②		Screw (M4 x 25mm)	8 Extra1
③		Screw (M4 x 15mm)	24 Extra1
④		Hinge	4
⑤		Handle with Bolt	2
⑥		Anti-Tip	2set
⑦		Bolt (M6x35mm)	4 Extra1
⑧		Spring Washer (13mm)	4 Extra1
⑨		Flat Washer (16mm)	4 Extra1
⑩		Allen Key	1

## Assembly Preparation





- Read instructions, cover to cover-



- Have 2 adults on hand for assembly-



- Do not assemble on flooring or carpet-



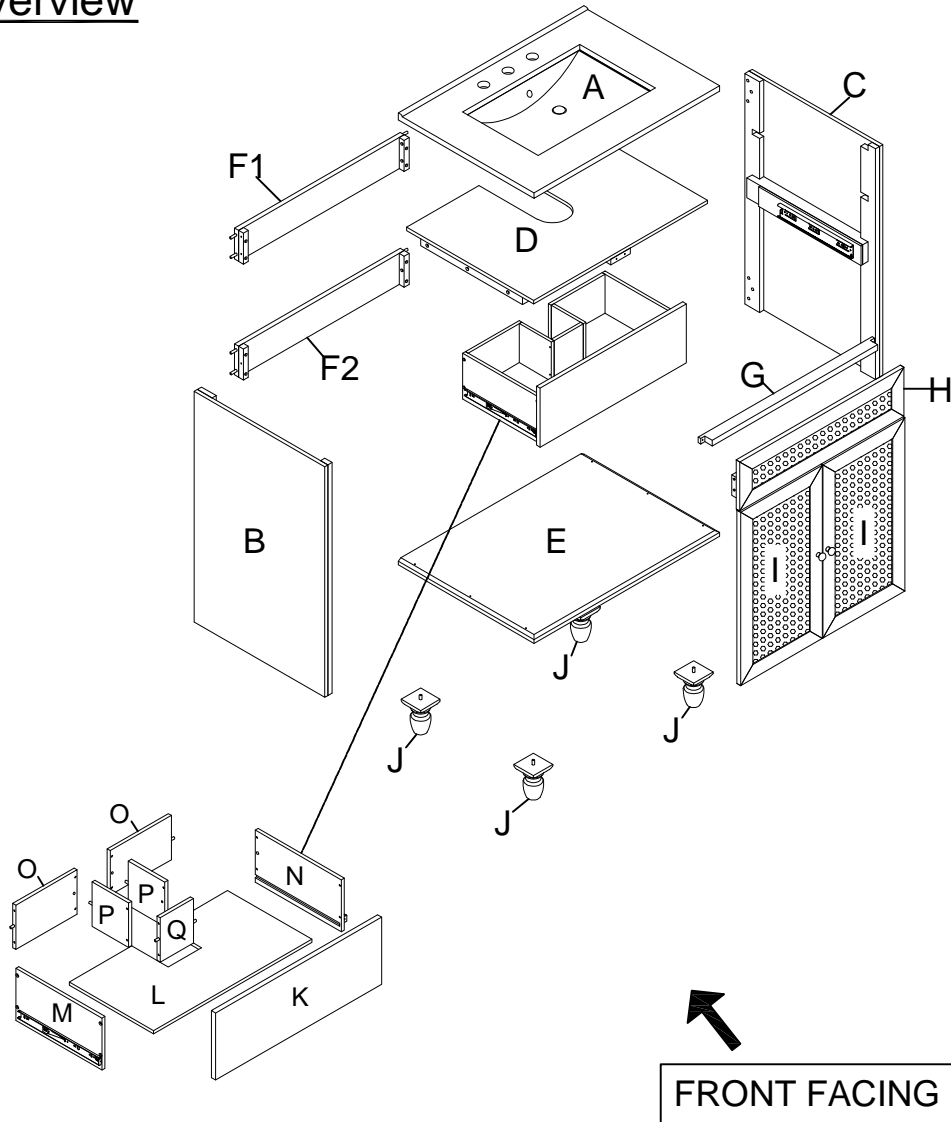
- Assemble on a clean non-marring surface (packing foam)-



- Save all packaging until finished-

## Assembly Steps

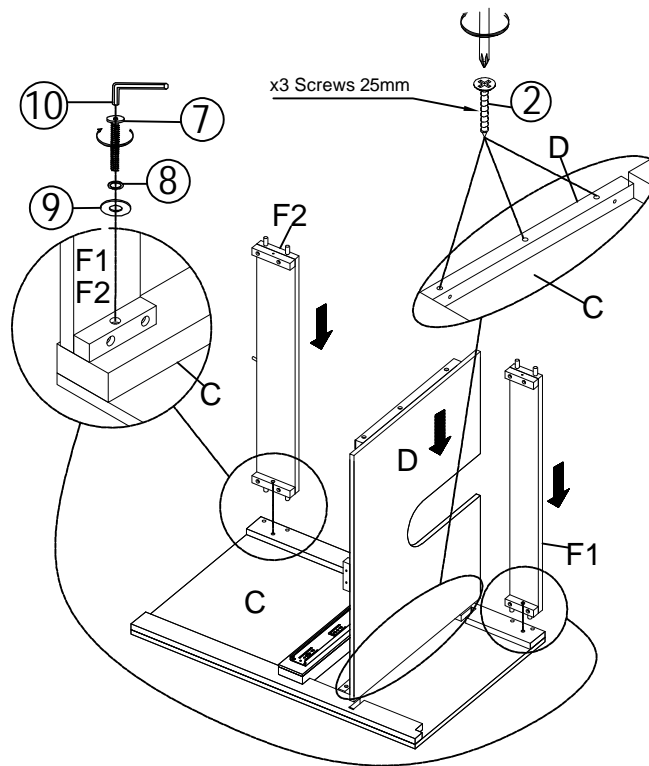
### Overview



This CABINET SINK has multiple parts and may require up to 30 minutes to assemble. To give you an overview of the Lavabo 1 parts, the above picture is to help you put the various parts into perspective. Please read through the instructions herebelow to familiarise the parts and steps before assembly.

## Step 1

Put dowel to exactly hole.



②		3PCS
⑦		2PCS
⑧		2PCS
⑨		2PCS
⑩		1PC

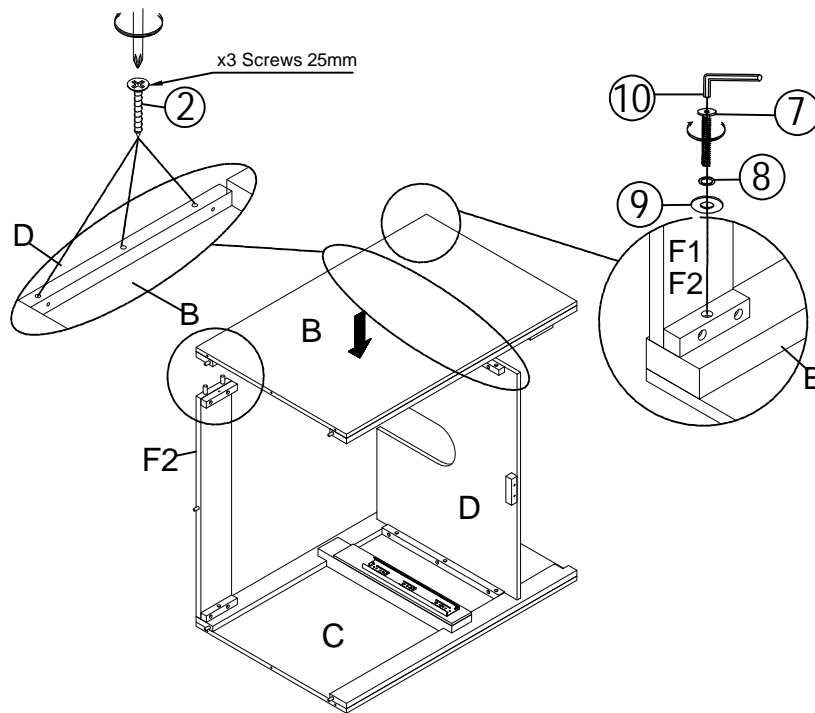
Carefully place the Right Frame Side facedown on a clean, non-marring surface.

Attach Attach Shelf Frame (D) to the Right Frame Side (C) by using screw ②.

Attach Upper Back Connecting Bar (F1), Lower Back Connecting Bar (F2) to the Right Frame Side (C) by using Bolt (7), Spring Washer (8), Flat Washer (9), Allen Key (10).

## Step 2

Put dowel to exactly hole.



②		3PCS
⑦		2PCS
⑧		2PCS
⑨		2PCS
⑩		1PC

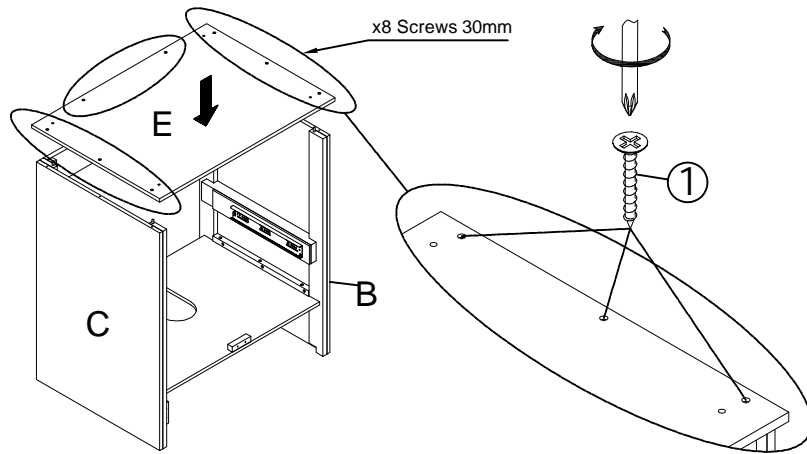
Carefully place the Right Frame Side facedown on a clean, non-marring surface.

Attach Attach Shelf Frame (D) to the Right Frame Side (C) by using screw ②.

Attach Upper Back Connecting Bar (F1), Lower Back Connecting Bar (F2) to the Right Frame Side (C) by using Bolt (7), Spring Washer (8), Flat Washer (9), Allen Key (10).

### Step 3

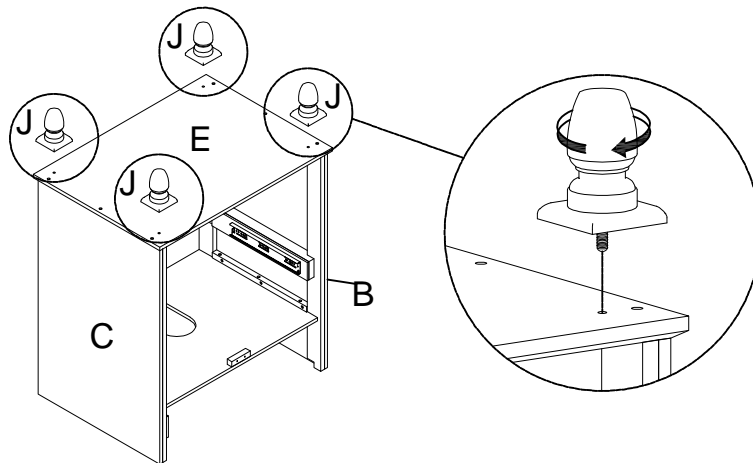
Put dowel to exactly hole.



Attach Bottom Plate (E) to the Left Frame Side (B), Right Frame Side (C) by using Screw ①.

### Step 4

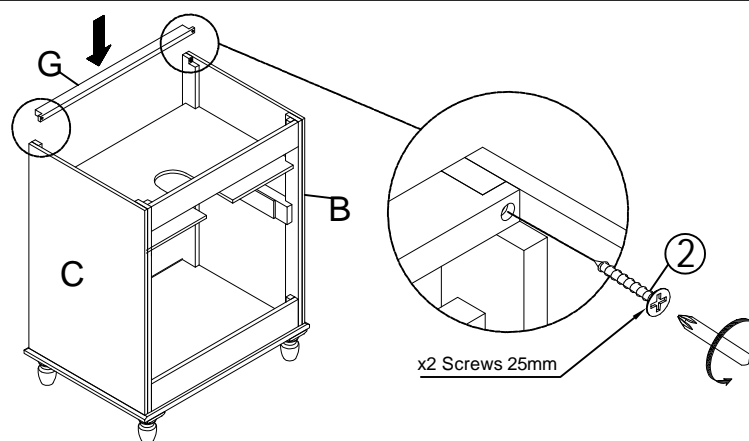
Put dowel to exactly hole.



Twist Leg (J) to the Bottom Plate (E).

### Step 5

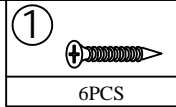
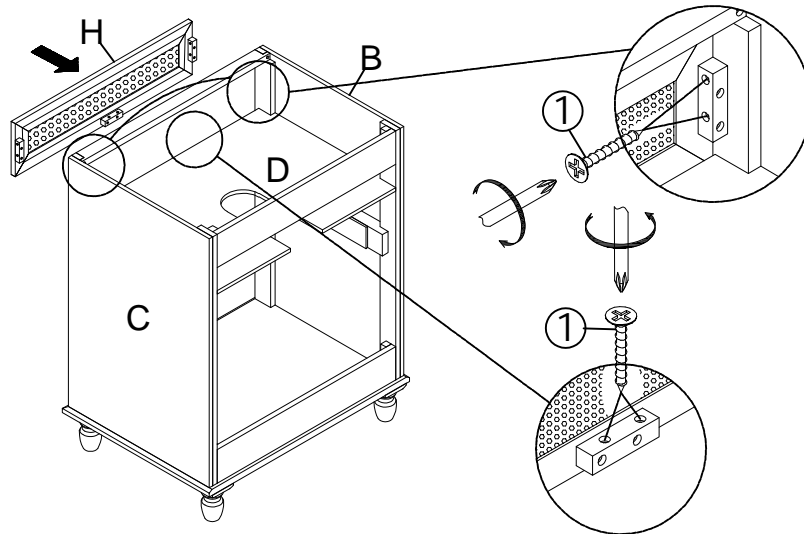
Put dowel to exactly hole.



Attach Front Connecting Bar (G) to the Left Frame Side (B), Right Frame Side (C) by using Screw ②.

### Step 6

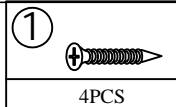
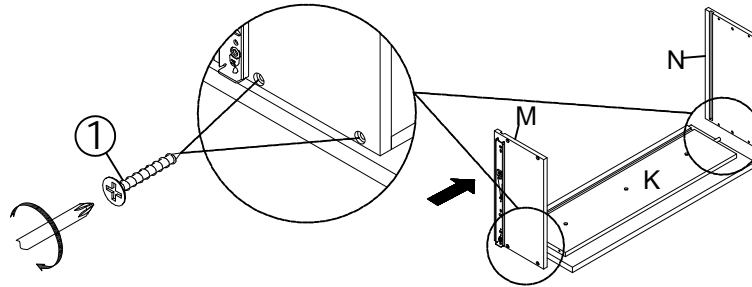
Put dowel to exactly hole.



Attach Front Decor Plate (H) to the Left Frame Side (B), Right Frame Side (C) and Shelf Frame (D) by using Screw ①.

### Step 7

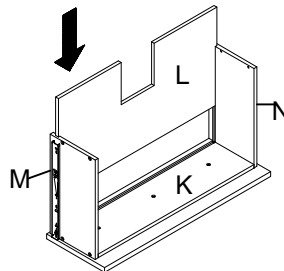
Put dowel to exactly hole.



Attach Drawer Left Plate (M), Drawer Right Plate (N) to the Drawer K Plate (K) by using Screw ①.

### Step 8

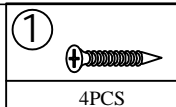
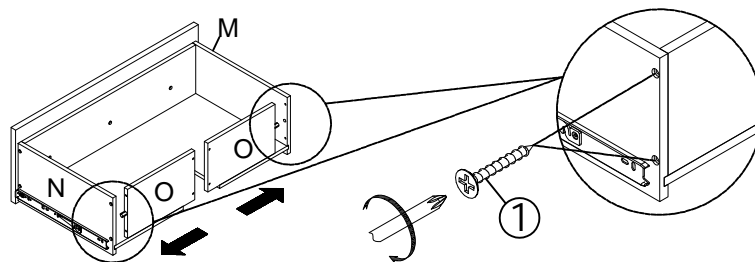
Put dowel to exactly hole.



Place the Drawer Bottom Plate (L) between the Drawer Left Plate (M) and Drawer Right Plate (N).

### Step 9

Put dowel to exactly hole.

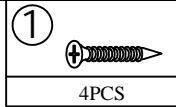
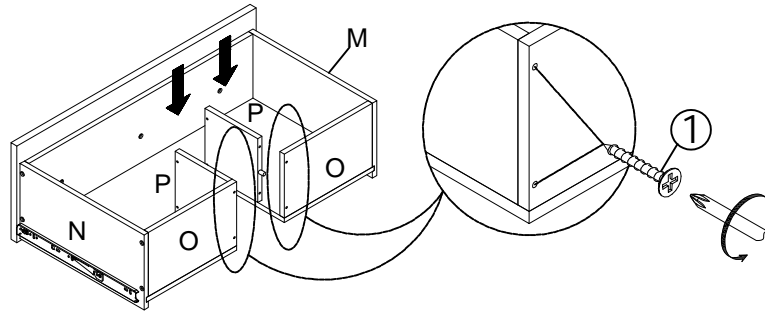


Attach Drawer O Plate (O) to Drawer Left Plate (M), Drawer Right Plate (N) by using Screw ①.

## Step 10

Put dowel to exactly hole.

At this step, please do not tighten screw.



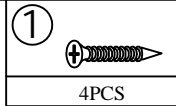
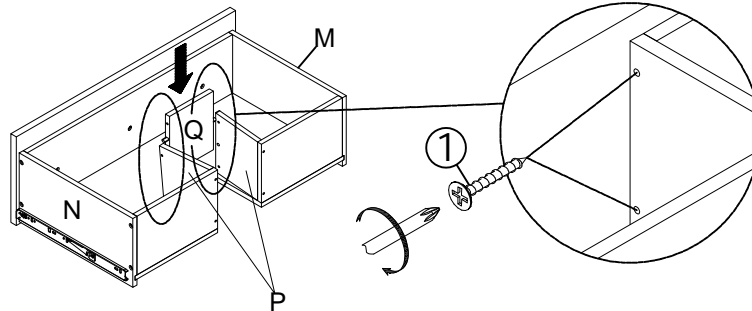
Attach Drawer P Plate (P) to the Drawer O Plate (O) by using Screw ①.

## Step 11

Put dowel to exactly hole.

Put Drawer Q Plate between Drawer P Plate.

Please tighten all screw.

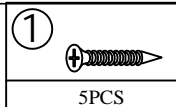
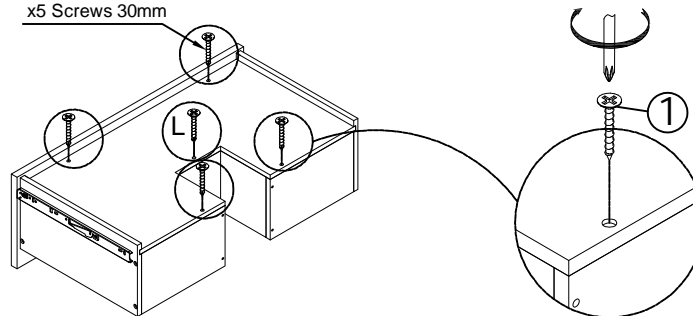


Attach Drawer Q Plate (Q) to the Drawer P Plate (P) by using Screw ①.

## Step 12

Put dowel to exactly hole.

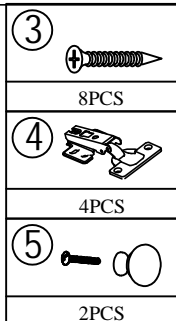
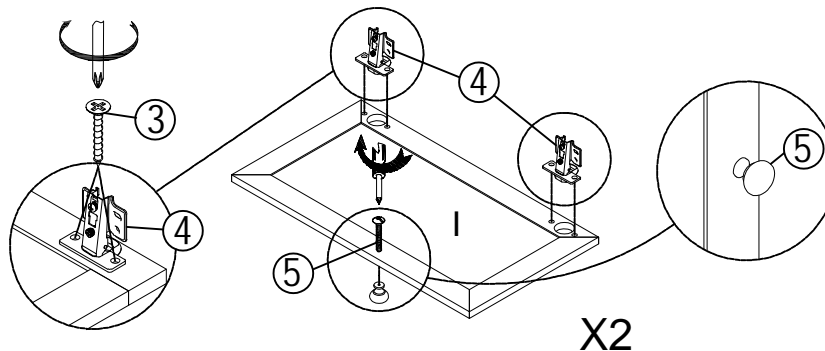
x5 Screws 30mm



Now you can tighten all Screw ① to every hole of the Drawer Bottom Plate (L).

## Step 13

Put dowel to exactly hole.

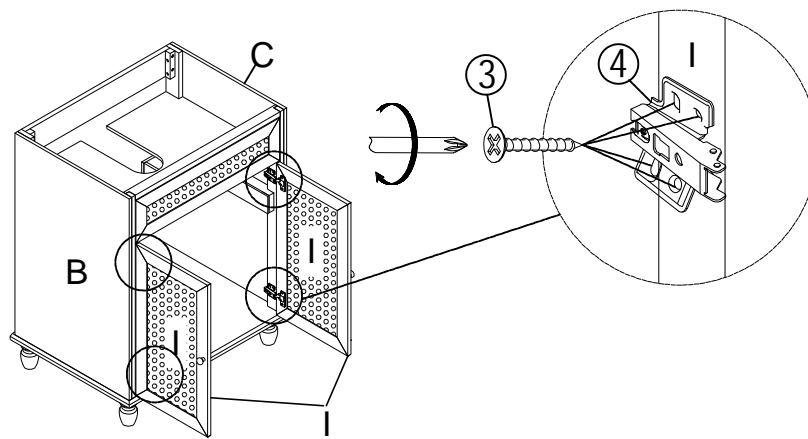


Attach Hinge ④ to the Door (I) by using Screw ③.

Assemble Handle with Bolts ⑤ to the Door (I).

## Step 14

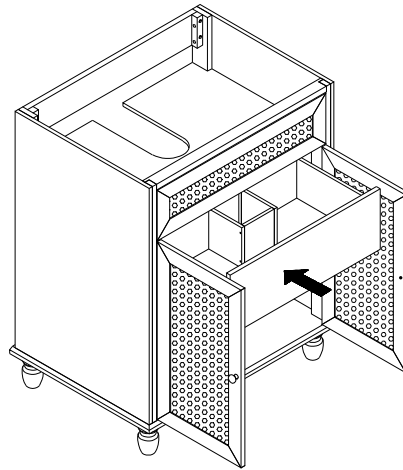
Put dowel to exactly hole.



Attach Hinge (4) with Door (I) to the Left Frame Side (B), Right Frame Side (C) by using Screw(3). The door gap can be adjusted by the hinge pin(4), moving up, down, in and out.

## Step 15

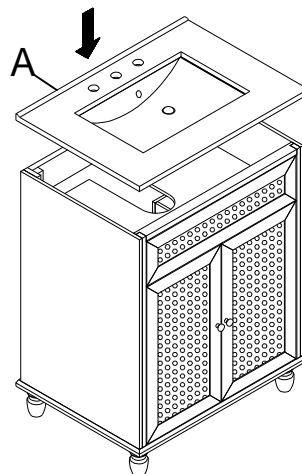
Put dowel to exactly hole.



Assemble the Completed Drawer to the Completed Lavabo 2.

## Step 16

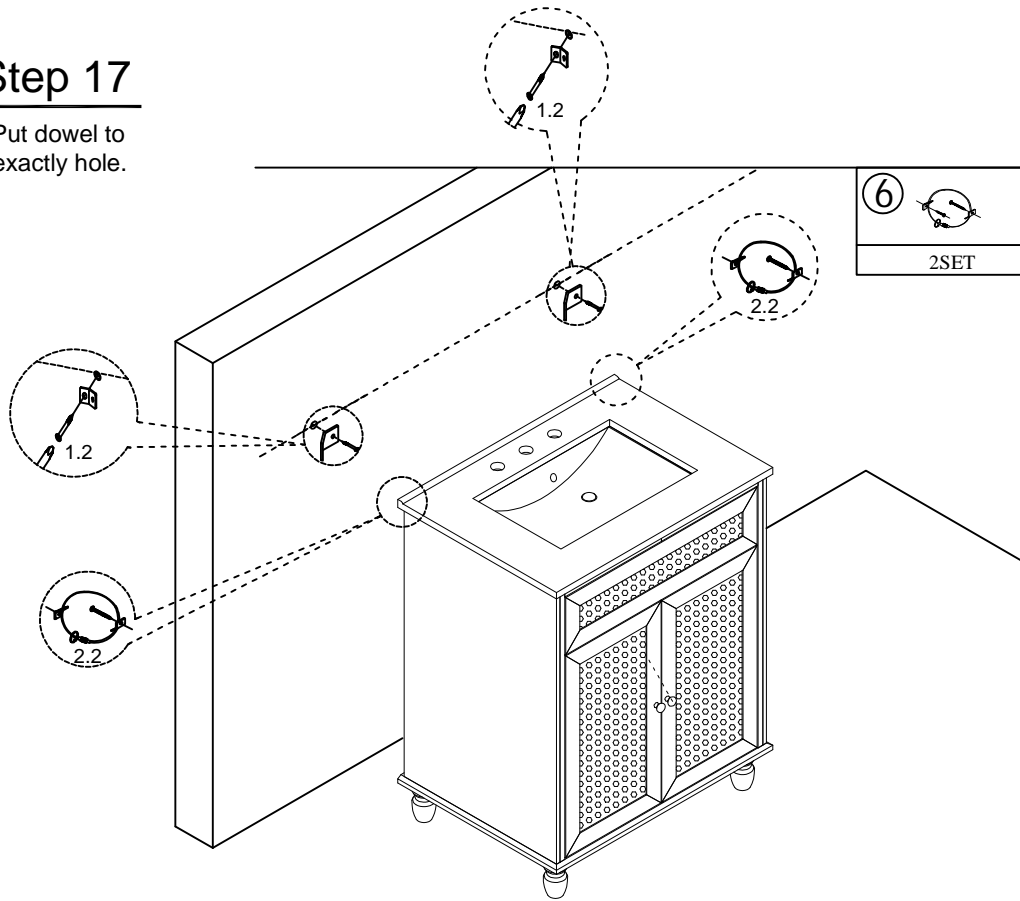
Put dowel to exactly hole.



Place the Sink (A).

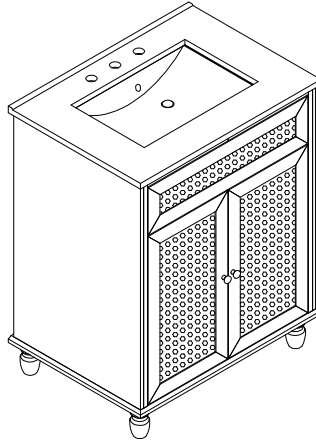
## Step 17

Put dowel to exactly hole.



- 1.2 Attach the Metal Brackets, to the Wall Plugs, using Pan Head Screws, and a Screwdriver
- 2.2 Move the Cabinet Sink against the wall. Pull the anti-tip, through the Metal Bracket, on the wall and Cabinet Sink Base respectively and tighten the lock on the anti-dumping strap

## Completed



Turn the CABINET SINK right side up.  
Place the CABINET SINK on a LEVEL SURFACE.  
Inspect it and make sure all parts are adequately connected.  
Gently and gracefully, sit into to the CABINET SINK.  
This would help to align all the parts at all the joint areas.

Then get off the CABINET SINK, and in a sequential manner,  
proceed to tighten all screws.  
To tighten the Screws at the base of the Backrest, do secure  
assistance from your adult partner(s).  
You may be required to turn the CABINET SINK, to gain easy  
access to the secure points.  
Turn the CABINET SINK in a synchronised manner.

**CAUTION 1:** When tightening these screws, tighten  
sequentially.

**DO NOT** tighten any screw fully and then towards the next  
one.

This would cause the frame to warp.

If there is still wobbles, loosen the screws and execute this  
same process.

**WARNING!!** IF CABINET SINK IS NOT STABLE , IT COULD  
LEAD TO DAMAGING THE PRODUCT.

Ensure all screws are fully locked into position.

The CABINET SINK is ready to be used.

**Caution 2:** This CABINET SINK can only be used on a flat,  
level surface.

## Questions & Answers about Proposition 65

- What is Proposition 65?

Proposition 65 requires businesses to provide warnings to Californians about significant exposures to chemicals that cause cancer, birth defects or other reproductive harm. These chemicals can be in the products that Californians purchase, in their homes or workplaces, or that are released into the environment. By requiring that this information be provided, Proposition 65 enables Californians to make informed decisions about their exposures to these chemicals.

Proposition 65 also prohibits California businesses from knowingly discharging significant amounts of listed chemicals into sources of drinking water.

Proposition 65 requires California to publish a list of chemicals known to cause cancer, birth defects or other reproductive harm. This list, which must be updated at least once a year, has grown to include approximately 900 chemicals since it was first published in 1987.

- What types of chemicals are on the Proposition 65 list?

The list contains a wide range of naturally occurring and synthetic chemicals that include additives or ingredients in pesticides, common household products, food, drugs, dyes, or solvents. Listed chemicals may also be used in manufacturing and construction, or they may be byproducts of chemical processes, such as motor vehicle exhaust.

- What does a warning mean?

If a warning is placed on a product label or posted or distributed at a workplace, a business, or in rental housing, the business issuing the warning is aware or believes that it is exposing individuals to one or more listed chemicals.

By law, a warning must be given for listed chemicals unless the exposure is low enough to pose no significant risk of cancer or is significantly below levels observed to cause birth defects or other reproductive harm.

- Where can I get more information on Proposition 65?

If you have specific questions on the administration or implementation of Proposition 65, you can contact OEHHA's Proposition 65 program at [P65.Questions@oehha.ca.gov](mailto:P65.Questions@oehha.ca.gov), or by phone at (916) 445-6900.