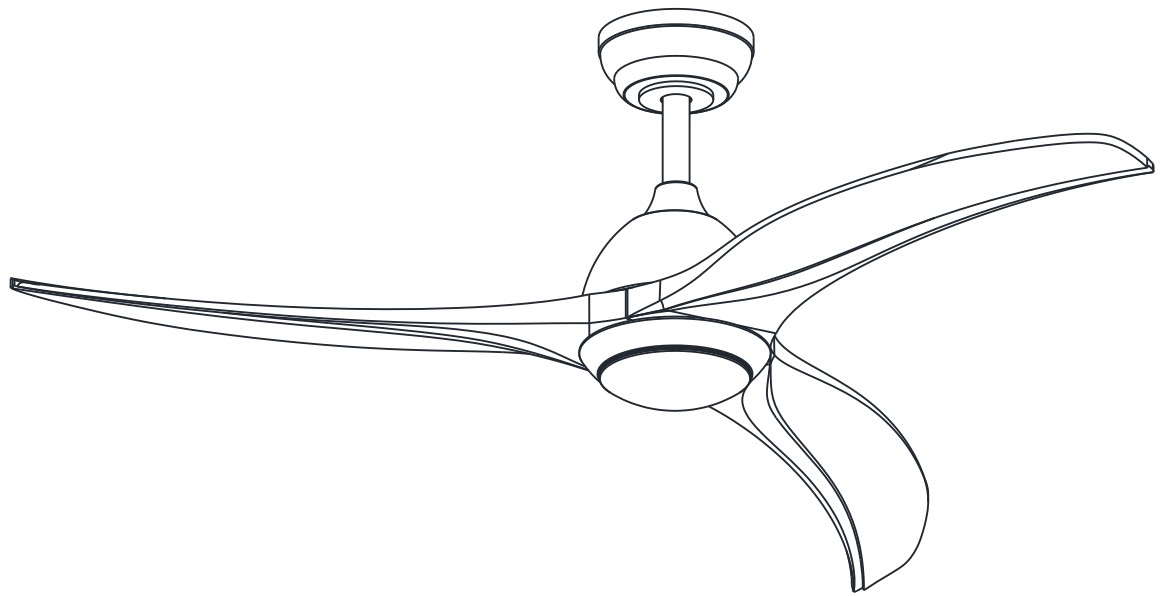


Creative design

Multi-Scenario

Ceiling

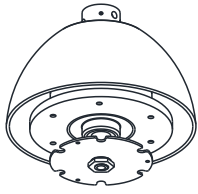


DEROCATE CEILING FAN

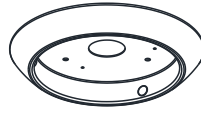
User Manual

Pre-Installation

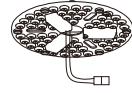
Light kit fitter assembly



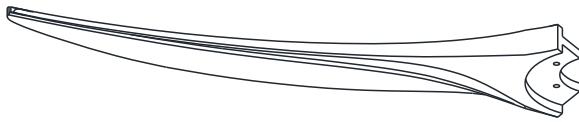
Fan-Motor assembly × 1PCS



Light kit fitter assembly × 1PCS



LED × 1PCS



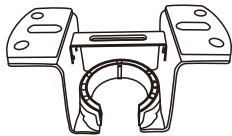
Blade X 3PCS



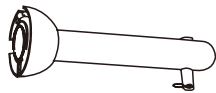
Decorative cover X 1PCS



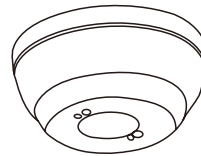
lamp shade × 1PCS



Slide - on mounting bracket
(inside canopy) X 1PCS



4.92 inch Ball/downrod
assembly X 1PCS



Canopy X 1PCS

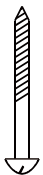


Coupling cover X 1PCS



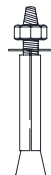
9.84 inch Ball/downrod
assembly X 1PCS

Parts Kit



AA

Mounting screws
× 4



BB

Expansion bolts
× 2



CC

Plastic wire nut
(not to scale)
× 3



DD

Blade attachment screw
× 7



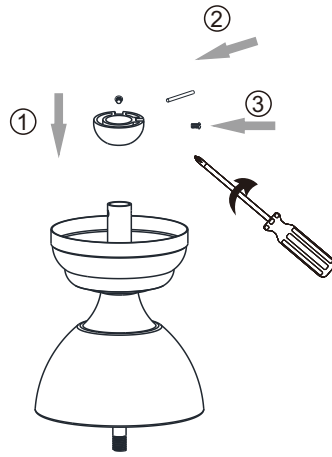
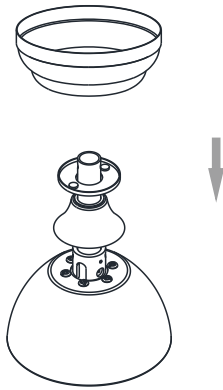
EE

iron Washers
× 7

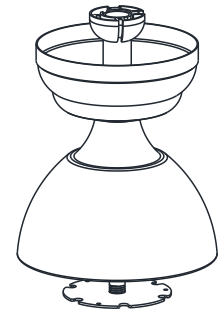
NOTE

Hardware not shown to actual size.

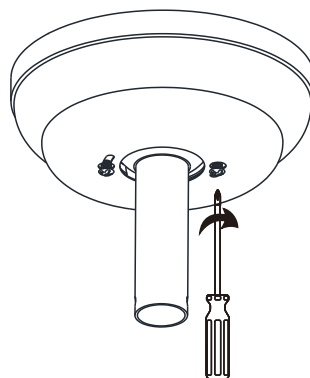
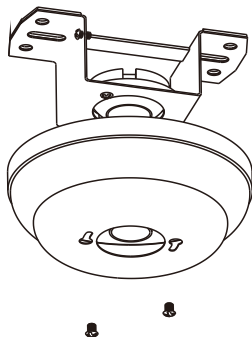
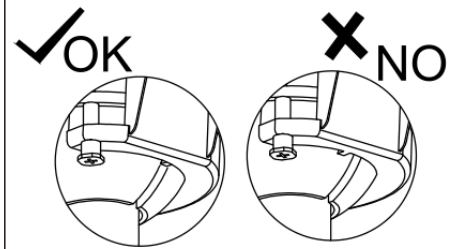
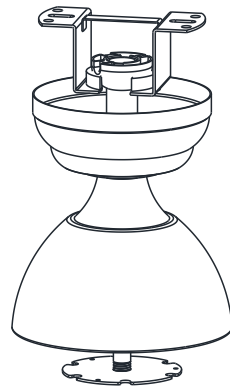
Install downrod assembly



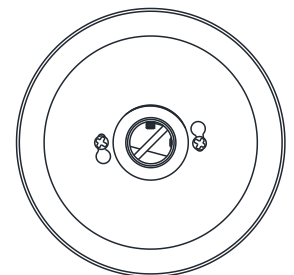
⊕ Phillips screwdriver



Finish



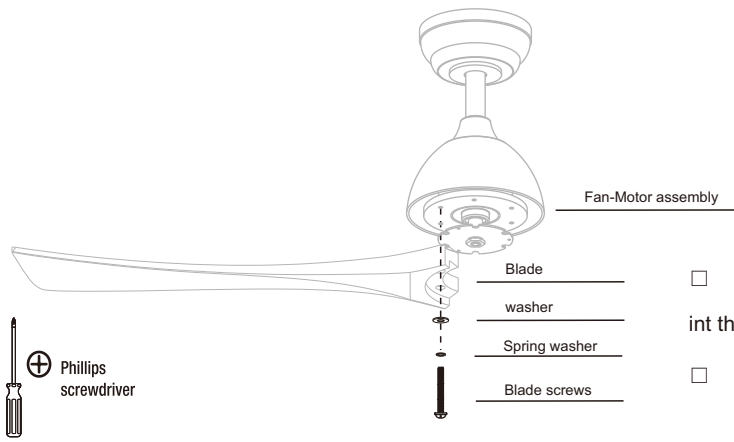
⊕ Phillips screwdriver



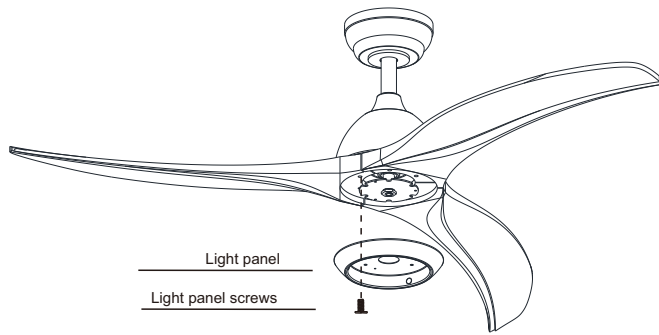
Finish

Fastening the blade arms to the motor

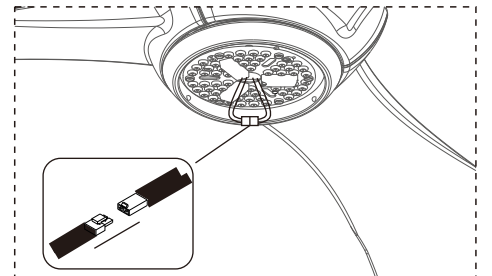
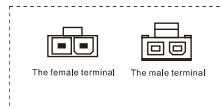
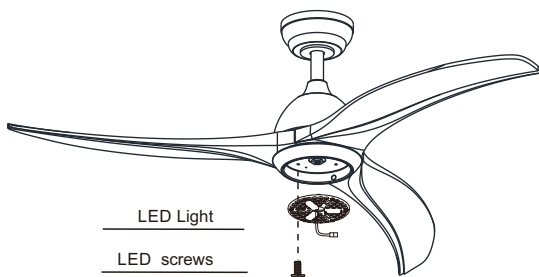
1. Remove the pre installed screws
2. Install the fan blade on the corresponding screw hole, and then install and fix it with the removed screws.



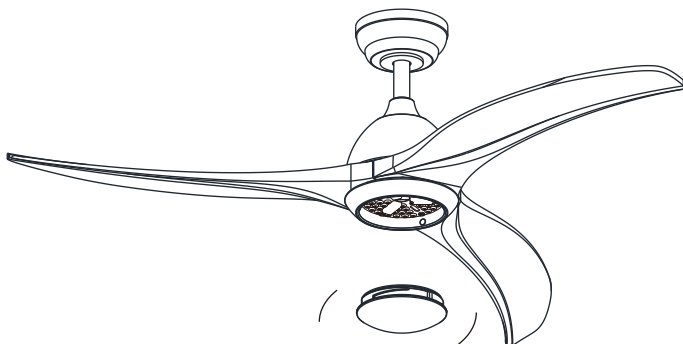
- Fasten the arm to the fan-motor assembly by inserting the alignment post into the slot on the bottom of the motor and tightening the pre-installed armscrews.
- Repeat this step for the remaining blade assemblies.



1. Remove the pre installed screws and install the lamp at the specified position

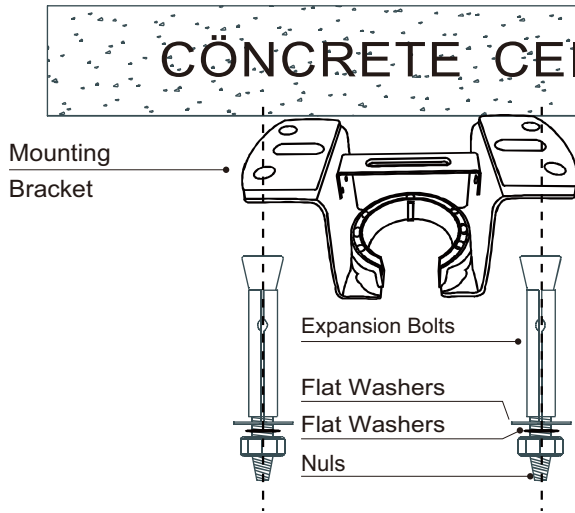


- 1: Put the LED light source into the disc (the LED light source has a magnet, which can be directly magnetized on the disc)
- 2: Pass the LED lead of the motor through the hole in the middle of the LED light source.
- 3: Then plug the male terminal of LED lead into the female terminal of LED light source (as shown in figure)



1. Screw the glass lampshade into the lamp in a counterclockwise direction. Make sure the glass lampshade is locked.

Installation of the hanging bracket



For concrete ceiling, use the percussion bit with diameter 8mm to drill holes according to the length of expansion screws. Then use the attached expansion screws to fix the hanging bracket onto the ceiling (selection is made according to actual requirements of the customers).

STEP 1 A-CONCRETE CEILING

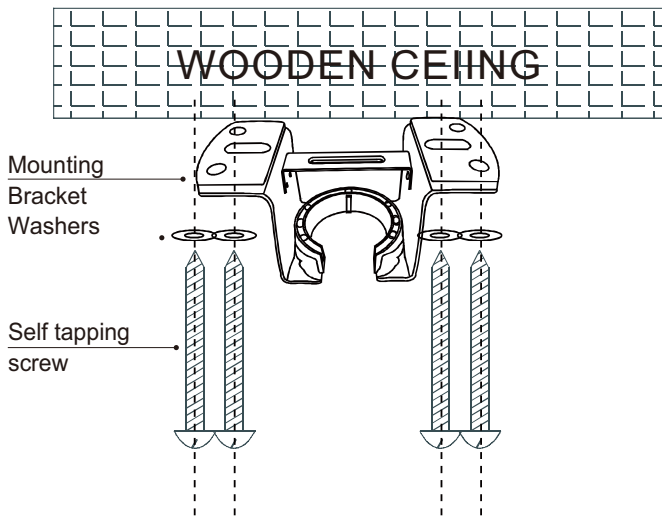
SWITCH OFF THE ELECTRICAL MAINS AT THE CIRCUIT BREAKER FUSE BOX.

1) Use the Mounting Bracket as a guide, mark the spots where the 4 Expansion Bolts will be drilled.

2) Remove the Mounting Bracket, drill 2 holes and insert 2 Expansion Bolts into the concrete ceiling, install the mounting bracket and secure with Flat Washers, Spring Washers and Nuts.



IMPORTANT : SCREWS & NUTS MUST BE TIGHTENED TILL SNUG



For wooden ceiling, use wood screw to drill on the wooden beam or the "junction box" to fix the hanging bracket (selection is made according to actual requirements of the customers)

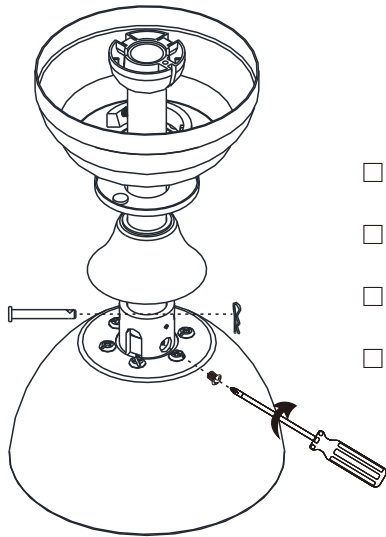
STEP 2 A-WOODEN CEILING

SWITCH OFF THE ELECTRICAL MAINS AT THE CIRCUIT BREAKER FUSE BOX.

1) Use the Mounting Bracket as a guide, mark the spots where the 4 Self Tapping Screws will be drilled.

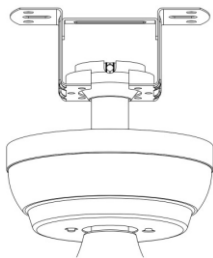
2) Remove the Mounting Bracket, drill 4 holes for 3MM diameter, install the mounting bracket onto wooden ceiling with the 4 Self Tapping Screws & Washers

Install downrod assembly



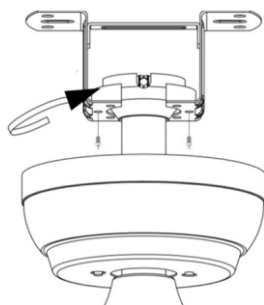
- Carefully feed the motor wires up through the downrod
- Align the holes and replace hanger pin and locking pin.
- Tighten the two collar setscrews.
- Slip coupling cover, canopy cover and canopy onto the downrod.

Hang the fan



- Lift the fan motor assembly up to the mounting bracket and seat the hanger ball in the mounting bracket socket. Rotate the fan motor assembly until the check groove drops into the registration slot and seats firmly. The downrod should not rotate if this is done correctly

Install canopy



- Ensure the loosened screws are inserted into the key holes on the mounting bracket.
- Carefully raise the canopy up to the mounting bracket. Rotate the canopy clockwise.
- Secure the canopy by replacing the screws previously removed and tightening the screw previously loosened
- Place the canopy cover (if applicable) and rotate the canopy cover clockwise until it locks into position.

Making the electrical connections

WARNING: Each wire not supplied with this fan is designed to accept up to one 12-gauge house wire and two wires from the fan. If you have larger than 12-gauge house wiring or more than one house wire to connect to the fan wiring, consult an electrician for the proper size wire nuts to use.

IMPORTANT: Use the plastic wire connectors (BB) supplied with your fan. Secure the connectors with electrical tape and ensure there are no loose strands or connections.

WARNING: Remove the rubber motor stops on the bottom of the fan before installing the blades or testing the motor.

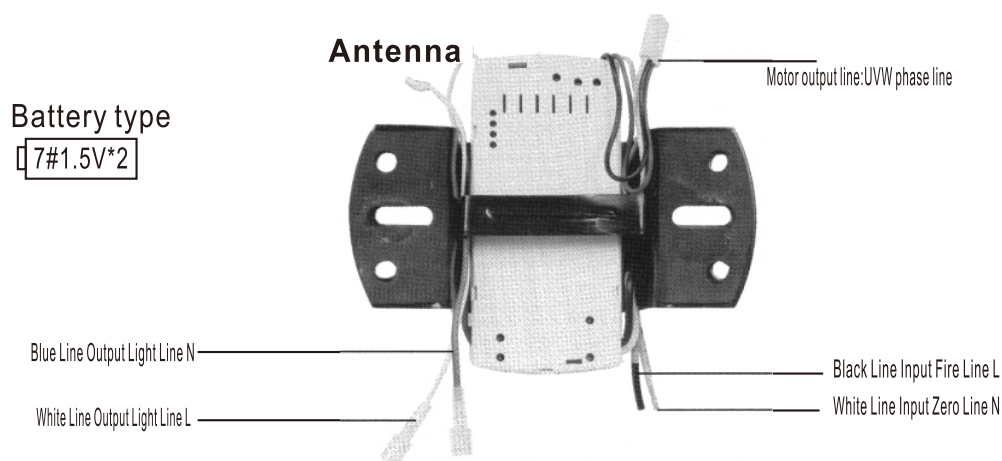
WARNING: Each wire not supplied with this fan is designed to accept up to one 12-gauge house wire and two wires from the fan. If you have larger than 12-gauge house wiring or more than one house wire to connect to the fan wiring, consult an electrician for the proper size wire nuts to use.

WARNING: Remove the rubber motor stops on the bottom of the fan before installing the blades or testing the motor.

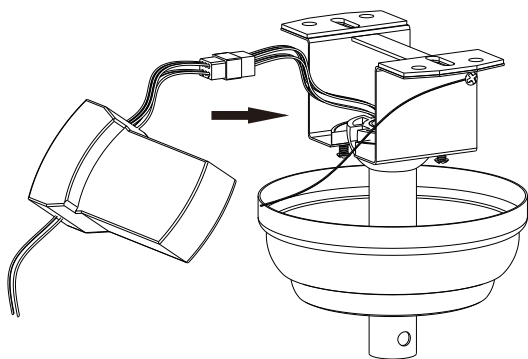
IMPORTANT: Use the plastic wire connectors (BB) supplied with your fan. Secure the connectors with electrical tape and ensure there are no loose strands or connections.

Matters needing attention:

1. Receiver can not be mounted on the plane to avoid affecting the unevenness of the cover and ceiling.
2. Receiver sub-inputs and outputs are strictly prohibited from adjusting input and output pairs.
3. If there is a wall switch on the fan, it must be on to control effectively.
4. Wiring should be done according to the color of the wire and the instructions on the sleeve.
5. When using the remote control, please check whether the battery is installed or not. Pay attention to the positive and negative poles of the battery. The control key of the handle flashes every key that is pressed
- 6. The antenna must be exposed to the outside of the lamp during installation**



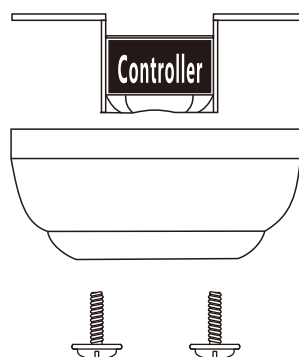
Install remote control



1. Carefully push the canopy to the bottom of the mounting bracket, make two sliding holes aligned to the two prominent screws on the mounting bracket, and then turn clockwise until tight.

2. Push the canopy ring to the bottom of the canopy, slide the inner holes aligned to the two prominent screws on the mounting bracket again, and turn the canopy ring clockwise until tight.

Preparing for mounting

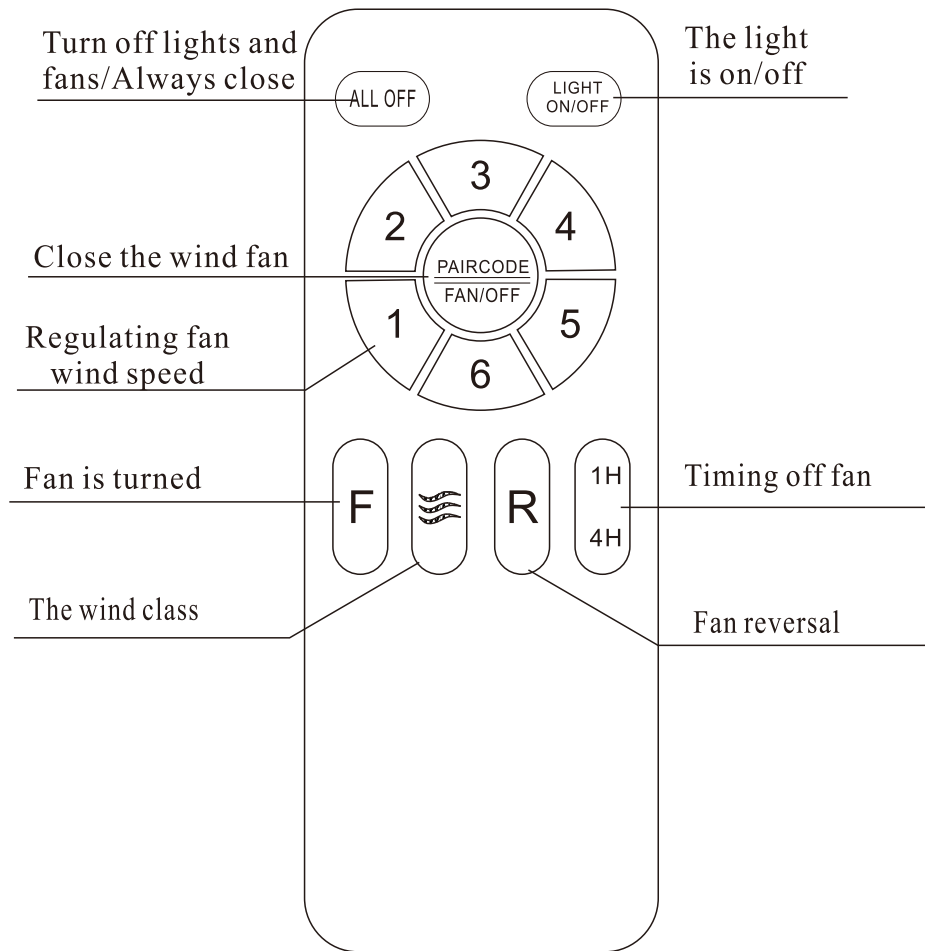


- 1: Remove the mounting bracket from the canopy by loosening the two canopy screws located in the L shaped slots.
- 2: Remove and save the two canopy screws in the round holes. This will enable you to remove the mounting bracket

LIGHT MUST BE KEPT AT THE ON POSITION

FAN MUST BE KEPT AT THE HIGH SPEED

Use of remote control



Turn on the controller, then you will hear a sound "Di". Press "FAN" within 2 minutes till you hear the sound "Di Di". Check code is done. If not, turn off the controller, and repeat it after 1 minute.

Code Clear: Within 5 seconds upon turning on, long press "ALL OFF" button, the light flashes 2 times, then the action is done.

IF THE REMOTE CONTROL CANNOT BE EFFECTIVELY CONTROLLED, PLEASE CHECK THE BATTERY, AND REMOVE THE BATTERY IF NOT IN USE FOR A LONG TIME.