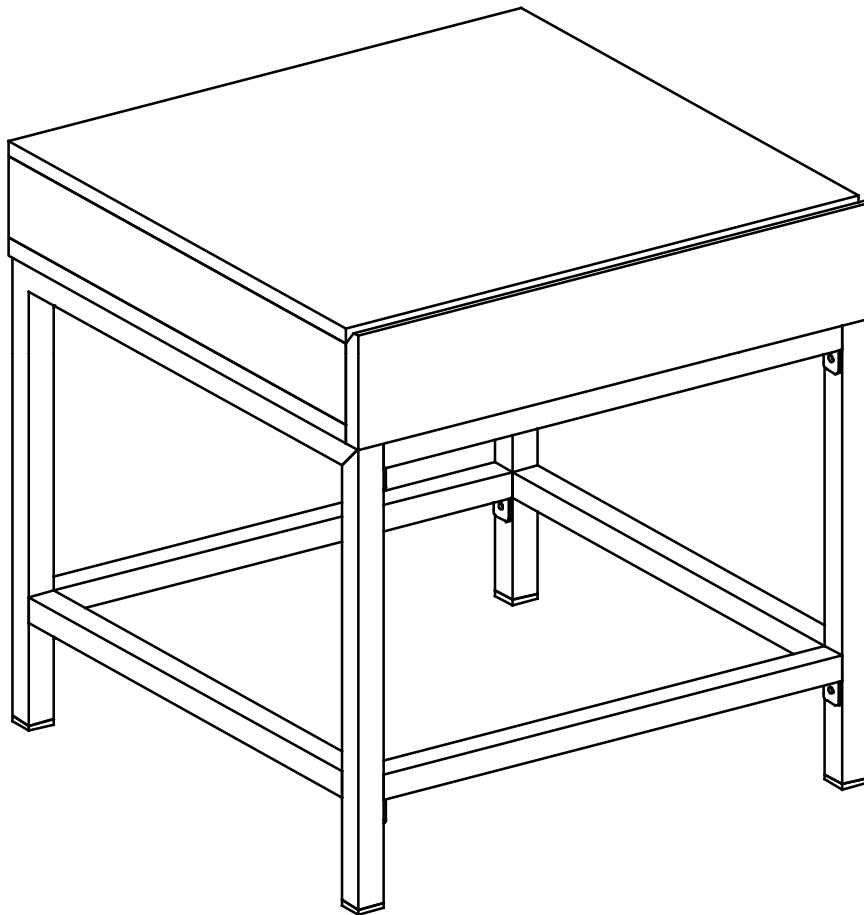


Assembly Instructions

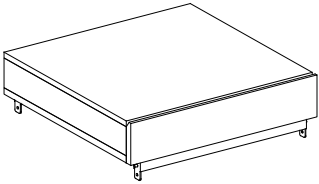
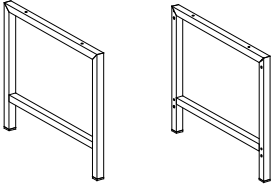
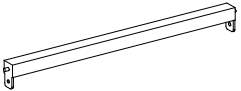



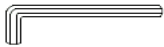
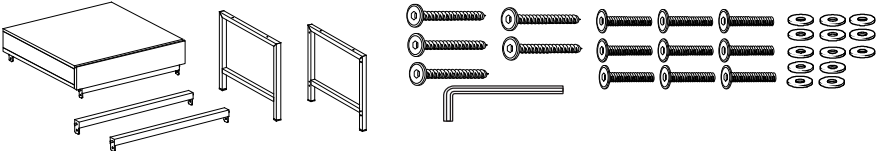





TABLE

CAUTION: You must read this before you proceed.



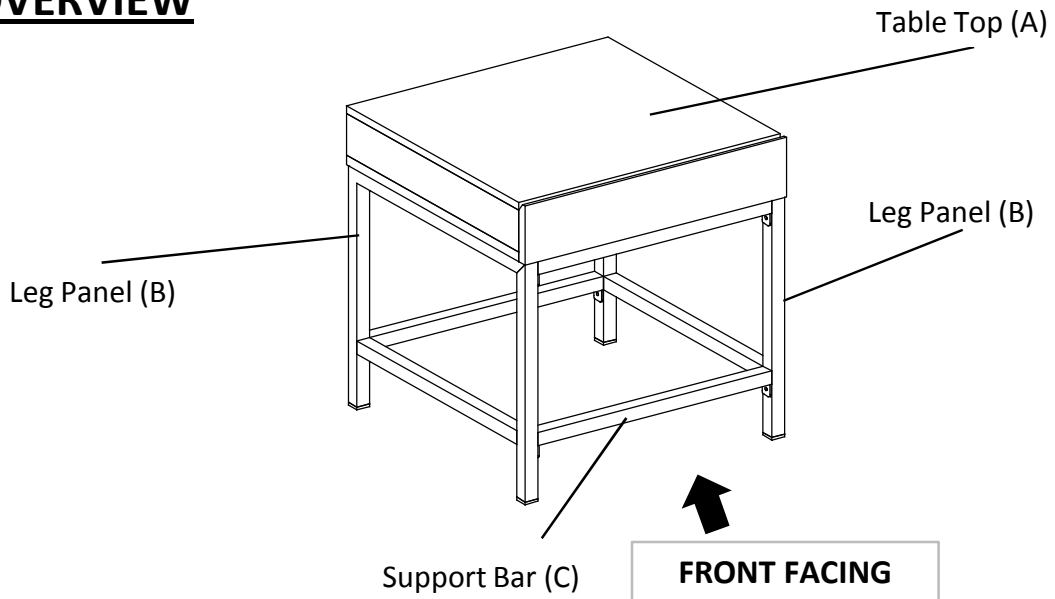
CAUTION : This Table is NOT a TOY. Keep your child / children at bay in the process of assembly.

For turning the Table and to prevent damage to the Table, 02 persons may be needed to execute this action.

Parts List			
No.	Picture	Description	Qty
A		Table top	1
B		Leg Panel	2
C		Support Bar	2
Hardware			
No.	Picture	Description	Qty
①		Bolts 6x15	9
②		Screws 6x40	5
③		Flat Washers (M6)	13
④		Allen Key	1
Assembly Preparation			
Before Beginning Assembly:			
			
 <input checked="" type="checkbox"/>	Read instructions, cover to cover.		
 <input checked="" type="checkbox"/>	Have 2 adults on hand for assembly.		
 <input checked="" type="checkbox"/>	Do not assemble on flooring or carpet.		
 <input checked="" type="checkbox"/>	Assemble on a clean non-marring surface (packing foam).		
 <input checked="" type="checkbox"/>	Save all packaging until finished.		

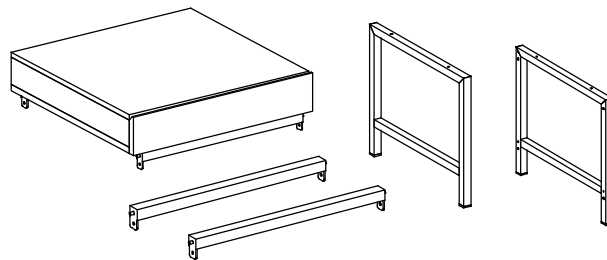
Assembly Steps

OVERVIEW



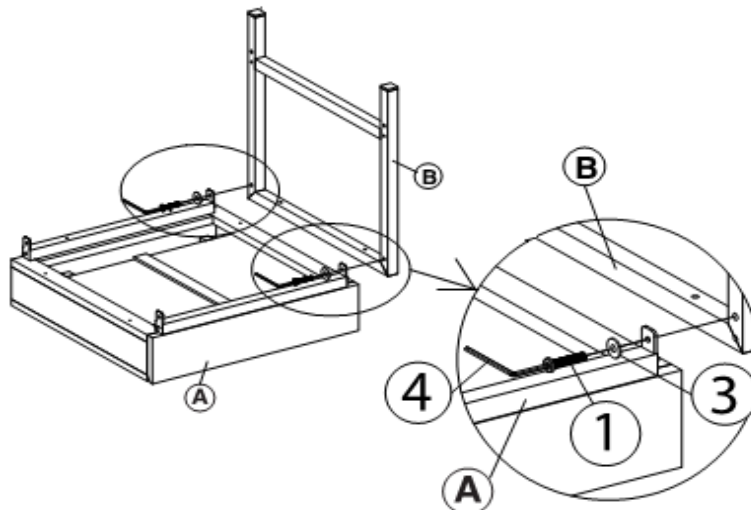
This Table has multiple parts and may require up to some 30 minutes to assemble. To give you an overview of the Table parts, the above picture is to help you put the various parts into perspective. Please read through the instructions here below to familiarise the parts and steps before assembly.

Step 1



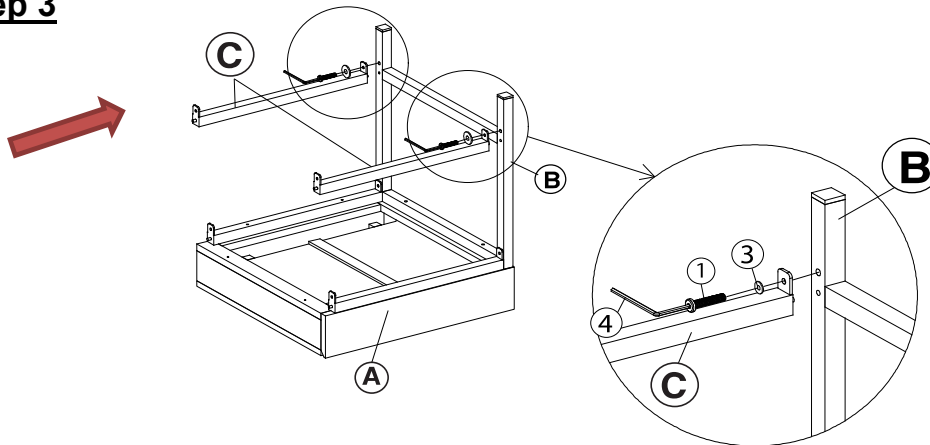
Unpack and place all parts on a clean non marring flat surface .

Step 2



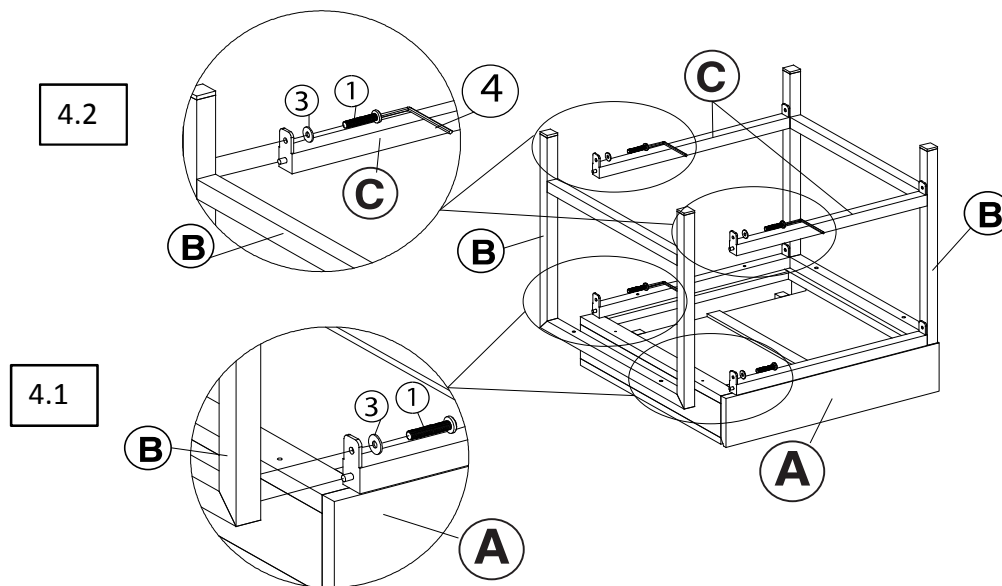
Place the Table Top (A) facedown, onto a clean, soft surface to avoid any scratches or damages to the product. Position the Leg Panel (B) into the Table Top (A) as shown in picture above. Then affix Left Leg Panel (B) to Table Top (A) by using Bolt (①), Flat washer (③) and Allen Key (④). **DO NOT FULLY TIGHTEN THE BOLTS.**

Step 3



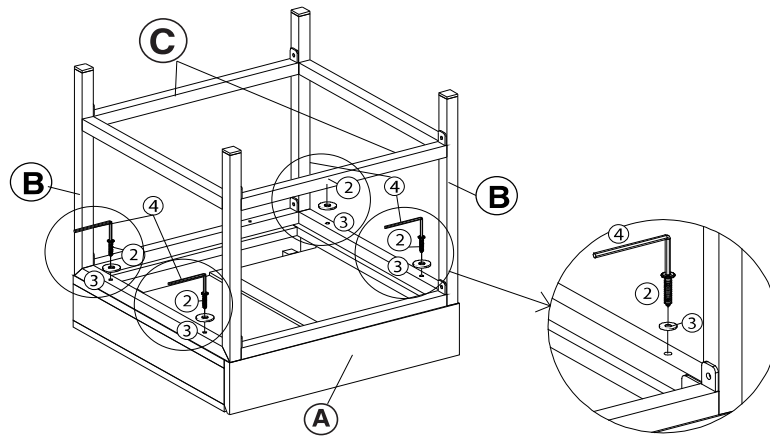
Attach the Support bar (C) into the housing on the Leg panel (B) as shown in picture. Then affix them by using Bolt (①), Flat washer (③) and Allen Key (④). Repeat the same process to affix another Support bar (C) with the Leg panel (B). **DO NOT FULLY TIGHTEN THE BOLTS.**

Step 4



Step 4.1: Repeat the same process as Step 2 to attach remaining Leg (B) to Table top (A).
Step 4.2: Repeat the same process as Step 3 to attach remaining Leg (B) to Support bars (C)
DO NOT FULLY TIGHTEN THE BOLTS.

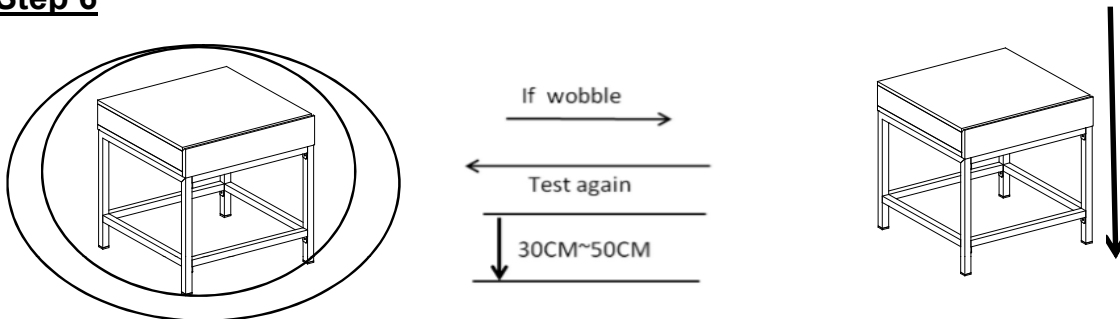
Step 5



Secure the iron frame to the wooden table top by using Screws (②), flat washer (③) and Allen Key (④) as shown in picture.

DO NOT FULLY TIGHTEN SCREWS.

Step 6



Turn the Table right side up
Place the Table on a **LEVEL SURFACE** to see if it wobbles.

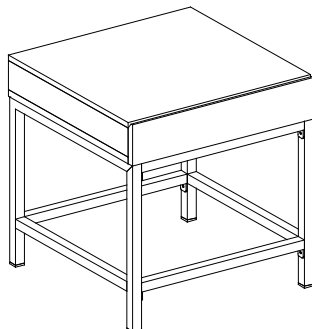
If it wobbles, lift the Table to some 30cm to 50cm height from the ground.
Keep your feet and toes well away from the drop zone.
Drop the Table freely and vertically with the four legs, hitting the ground, at the same time.
This Drop Test will help to ensure that all the screws and gaps to all reach full alignment status.
Test again for evenness on a **LEVEL SURFACE**.
If no wobbles found, proceed to tighten all the screws.

CAUTION: When tightening these screws, tighten sequentially.
DO NOT tighten any screw fully and then towards the next one.
This would cause the frame to warp.

If there is still wobbles, loosen the screws and execute this same drop tests.

WARNING ! IF TABLE IS NOT STABLE , IT COULD LEAD TO DAMAGE THE PRODUCT.





















Step 7



Ensure all screws are fully locked into position.
The Table is ready to be used.

Caution: This Table can only be used on a flat, level surface.

Care & Maintenance

-   ● Do not put hot items directly on furniture surface
 -   ● Do not clean furniture with harsh cleansers or polish.
 -   ● Do not place furniture under direct sunlight.
 -   ● Do not place furniture near heating or cooling vents.
 -   ● Do not write on furniture without a padded barrier to protect the surface.
 -   ● Do not place furniture outside . For indoor use only .
 -   ● Not for commercial use. For residential use only .
 -   ● Stains may be removed with mild soap solution and damp cloth.
 -   ● Children should not climb or jump on the furniture.
-
-   ● Dust and pick-up spills using a clean, non-colored, lint-free cloth .

Questions & Answers about Proposition 65

•What is Proposition 65?

Proposition 65 requires businesses to provide warnings to Californians about significant exposures to chemicals that cause cancer, birth defects or other reproductive harm. These chemicals can be in the products that Californians purchase, in their homes or workplaces, or that are released into the environment. By requiring that this information be provided, Proposition 65 enables Californians to make informed decisions about their exposures to these chemicals.

Proposition 65 also prohibits California businesses from knowingly discharging significant amounts of listed chemicals into sources of drinking water.

Proposition 65 requires California to publish a list of chemicals known to cause cancer, birth defects or other reproductive harm. This list, which must be updated at least once a year, has grown to include approximately 900 chemicals since it was first published in 1987.

•What types of chemicals are on the Proposition 65 list?

The list contains a wide range of naturally occurring and synthetic chemicals that include additives or ingredients in pesticides, common household products, food, drugs, dyes, or solvents. Listed chemicals may also be used in manufacturing and construction, or they may be byproducts of chemical processes, such as motor vehicle exhaust.

•What does a warning mean?

If a warning is placed on a product label or posted or distributed at a workplace, a business, or in rental housing, the business issuing the warning is aware or believes that it is exposing individuals to one or more listed chemicals.

By law, a warning must be given for listed chemicals unless the exposure is low enough to pose no significant risk of cancer or is significantly below levels observed to cause birth defects or other reproductive harm.

•Where can I get more information on Proposition 65?

If you have specific questions on the administration or implementation of Proposition 65, you can contact OEHHA's Proposition 65 program at P65.Questions@oehha.ca.gov, or by phone at (916) 445-6900.