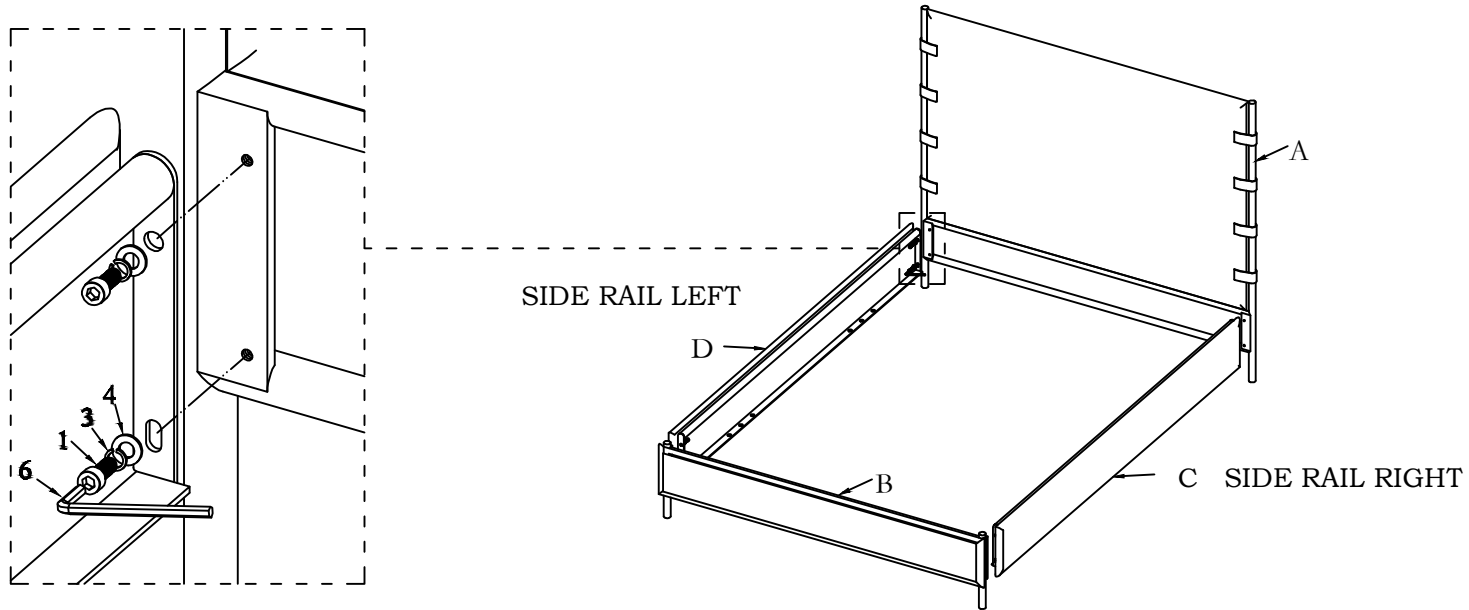


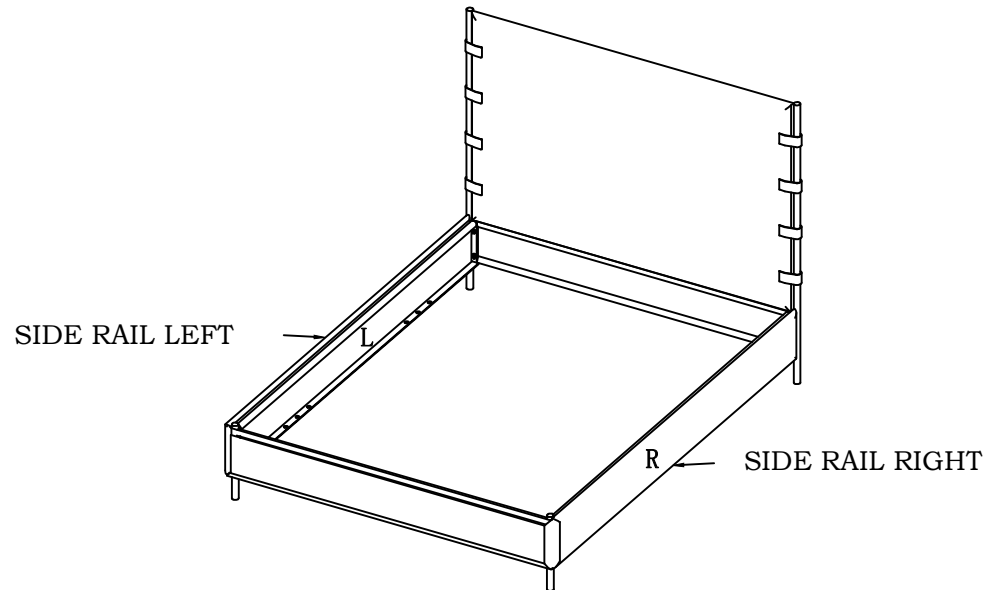
ASSEMBLY INSTRUCTION

MODEL: ANDERSON BED









1



2



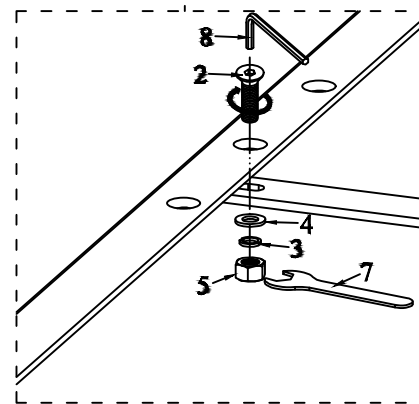
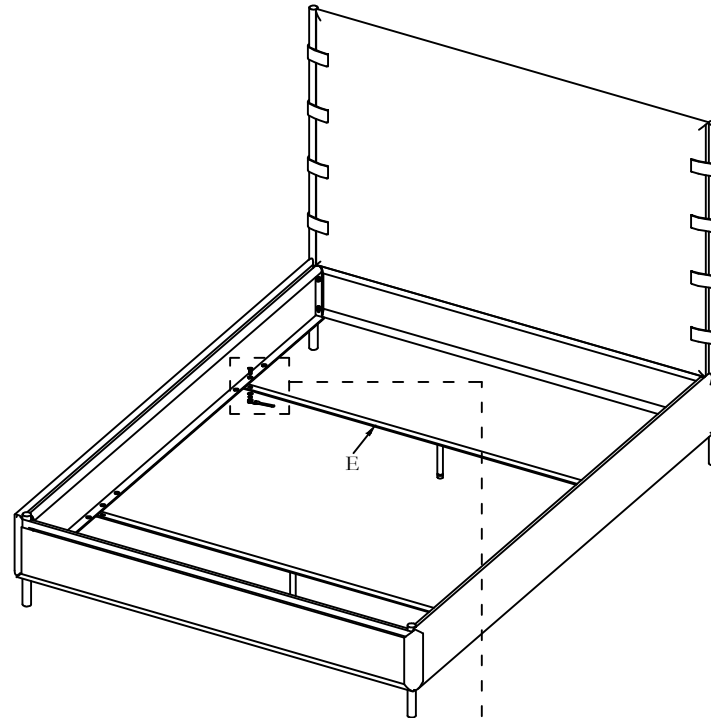
PART LIST		
NO	DESCRIPTION	QTY
A	HEADBOARD	1PC
B	FOOTBOARD	1PC
C	SIDE RAIL RIGHT	1PC
D	SIDE RAIL LEFT	1PC
E	CROSSBEAM	2PCS

HARDWARE LIST		
NO	DESCRIPTION	QTY
1	 Allen Bolt M8 *20mm	8PCS
2	 Countersunk Head Bolt M8 *20mm	4PCS
3	 Lock Washer	12PCS
4	 Flat Washer	12PCS
5	 Nut	4PCS
6	 Allen Key(Bigger)	1PC
7	 Wrench	1PC
8	 Allen Key(Smaller)	1PC

ASSEMBLY INSTRUCTION

MODEL: ANDERSON BED

3



ASSEMBLY INSTRUCTION

MODEL: ANDERSON BED

4

Adjusting Floor Levelers

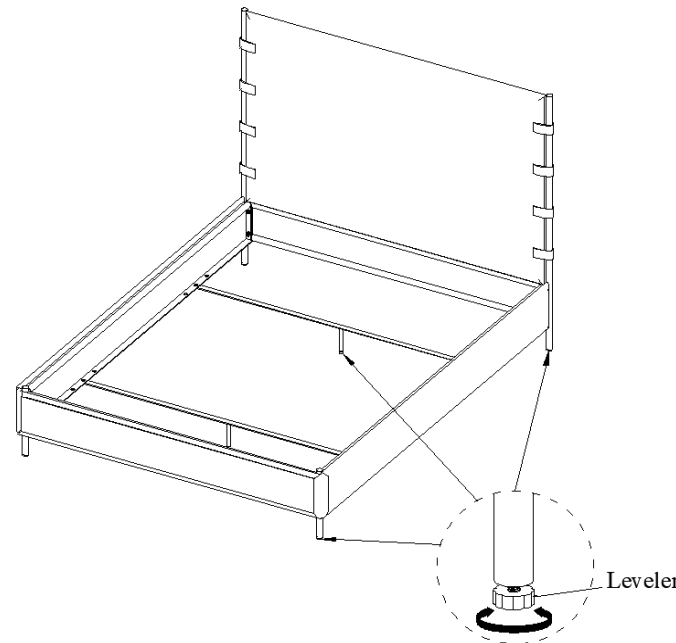
Your furniture has been expertly crafted and pre-adjusted by professionals. However, slight shifts can occur during transportation. If you notice that the doors are not perfectly aligned or the furniture wobbles, a quick adjustment can help ensure stability and a seamless look.

Adjust the Floor Levelers

Check for Stability – Place the furniture in its final position on a level surface. If it wobbles or doesn't sit evenly, the floor levelers need adjusting.

Locate the Levelers – These are small adjustable feet found at the bottom corners of your furniture.

Adjust as Needed – Using your hand or a wrench, turn the levelers clockwise to raise or counterclockwise to lower the furniture. Make small adjustments and check stability after each turn.



If you need further adjustments, repeat the process in small increments.