

# ASSEMBLY INSTRUCTION



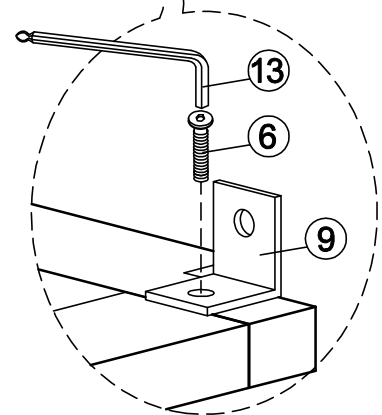
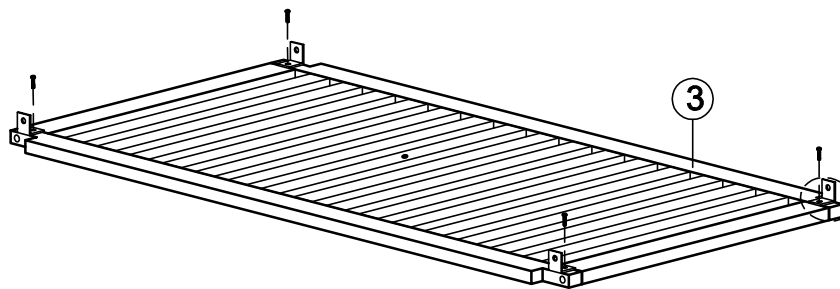
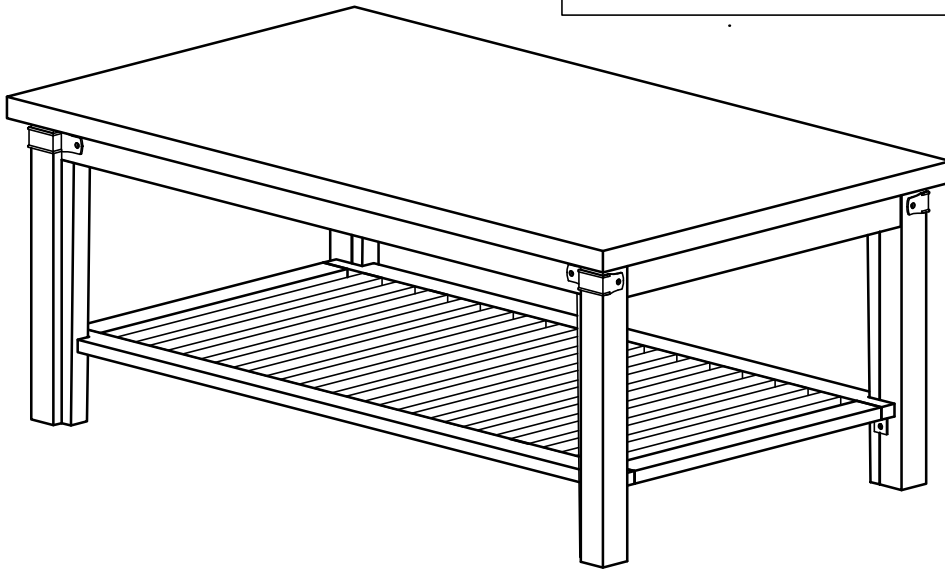
## 59-023 COCKTAIL TABLE

www.kincaidfurniture.com

Phone :828-728-3261.

### IMPORTANT NOTES :

- Place all wooden parts on a clean and smooth surface such as a rug or carpet to prevent the parts from being scratched .
- Check to be sure that you have all parts and hardware .
- Remove all wrapping materials, including staples and packing straps before you start to assemble .
- Do not tighten all screws and bolts until completely assembled .
- Keep all hardware out of the reach of children .

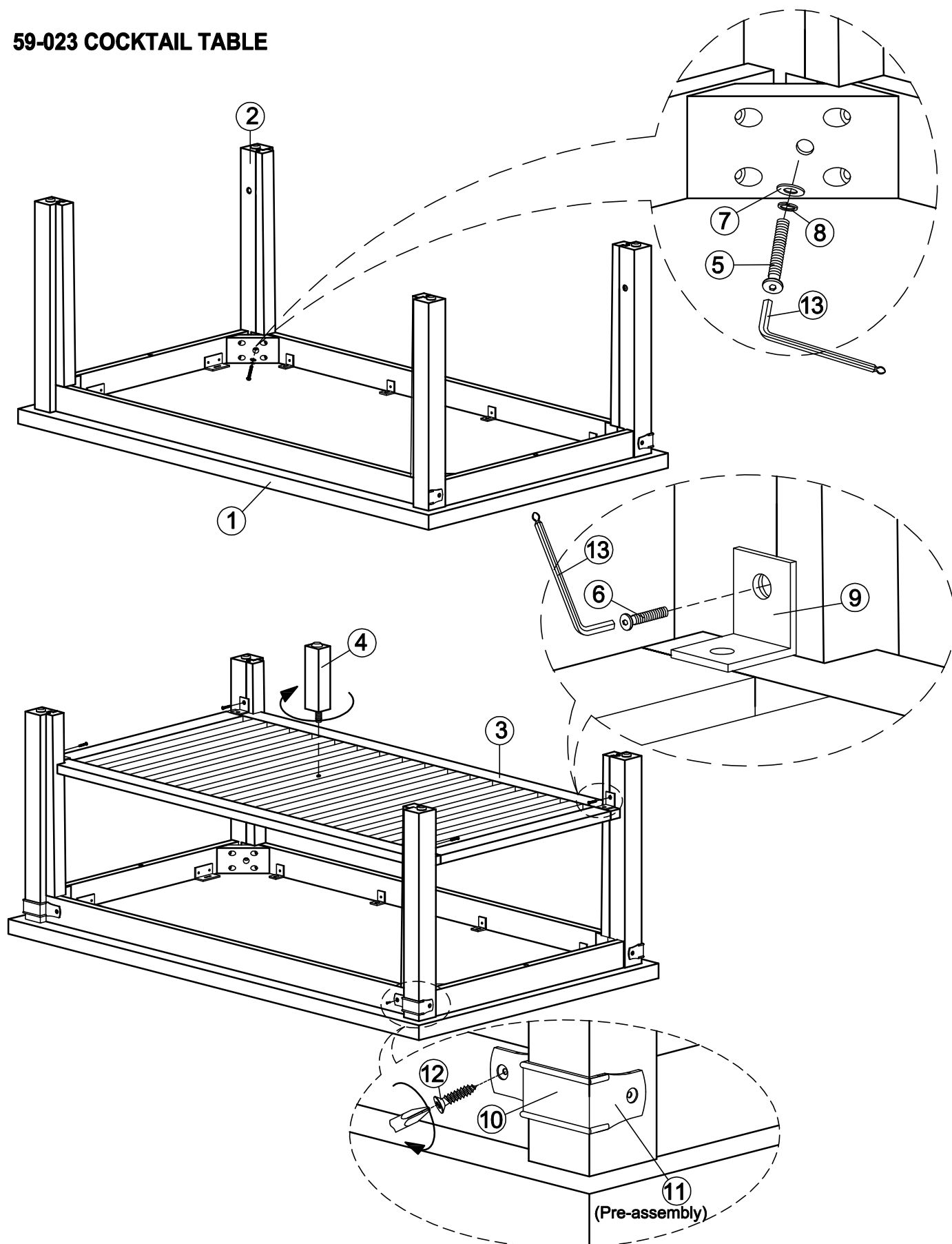


Item #	Description	Q'ty
1.	Table Top	1
2.	Table legs	4
3.	Frame Shelf	1
4.	Center leg	1
5.	Long Bolts M8 x 60	4
6.	Short Bolts M6 x 15	8
7.	Washers	4
8.	Lock Washers	4
9.	Metal Plate Connect	4
10.	Decorate A	4
11.	Decorate B (Pre-assembly)	4
12.	Screw	4
13.	Allen Key	1

# ASSEMBLY INSTRUCTION

**KINCAID**  
SOLID WOOD SINCE 1946

## 59-023 COCKTAIL TABLE



MADE IN VIETNAM

Page 2 of 2