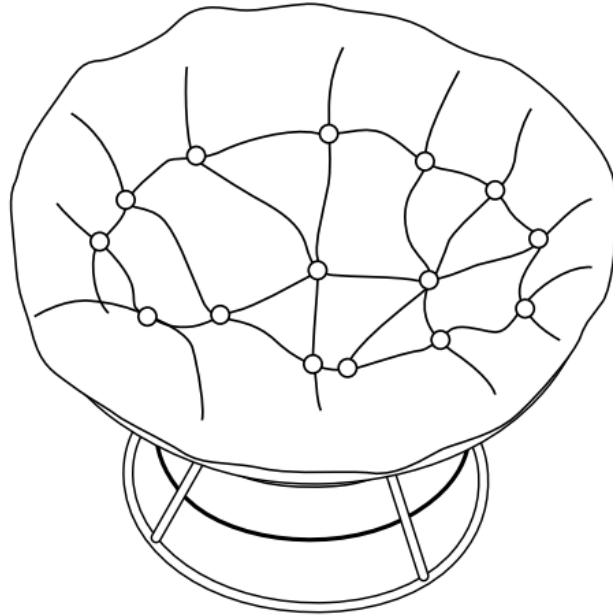
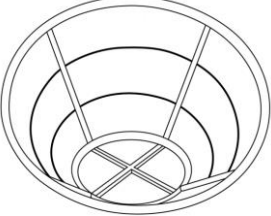
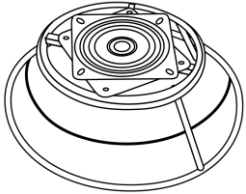
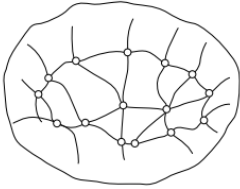
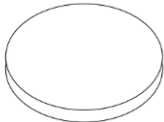




Resin Wicker Papasan Swivel Chair



Parts List:

| | | |
|---|--|--|
| <p>A. Chair Seat Qty: 1</p>  | <p>B. Chair Base Qty: 1</p>  | <p>C. Chair Cushion Qty: 1</p>  |
| <p>D. Seat Cushion Qty: 1</p>  | <p>H. Screw 6 x 12mm & Washer Qty: 4</p>  | <p>J. Allen Wrench Qty: 1</p>  |

If you have questions regarding this product, call and ask for our product specialists, or e-mail See many more products on the Internet!

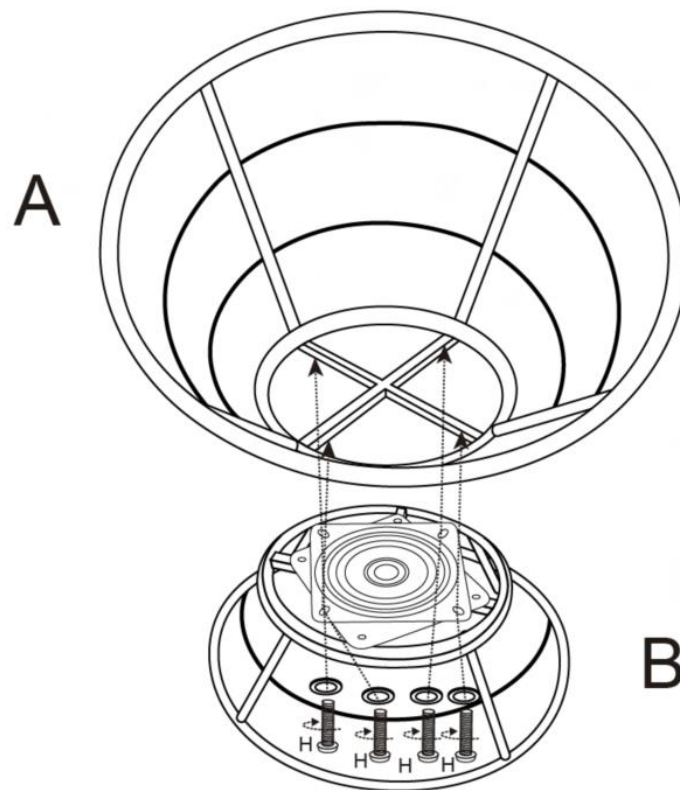
Made in China

Note: THIS PACKAGE MAY CONTAIN SMALL ITEMS WHICH SHOULD BE KEPT AWAY FROM CHILDREN

- Read through the preparation and assembly instructions in full before beginning assembly. It will help you become familiar with the parts and construction.
- Wait to dispose of the packing material until assembly is complete and all parts and hardware are accounted for. Sometimes a hardware bag can be tricky to find.
- Two people might be required for assembly.
- Save all packing materials until assembly is complete to avoid accidentally discarding smaller parts or hardware.
- Please use CAUTION AND CARE WHEN LIFTING the product to avoid personal injury and (or) damage to the product.

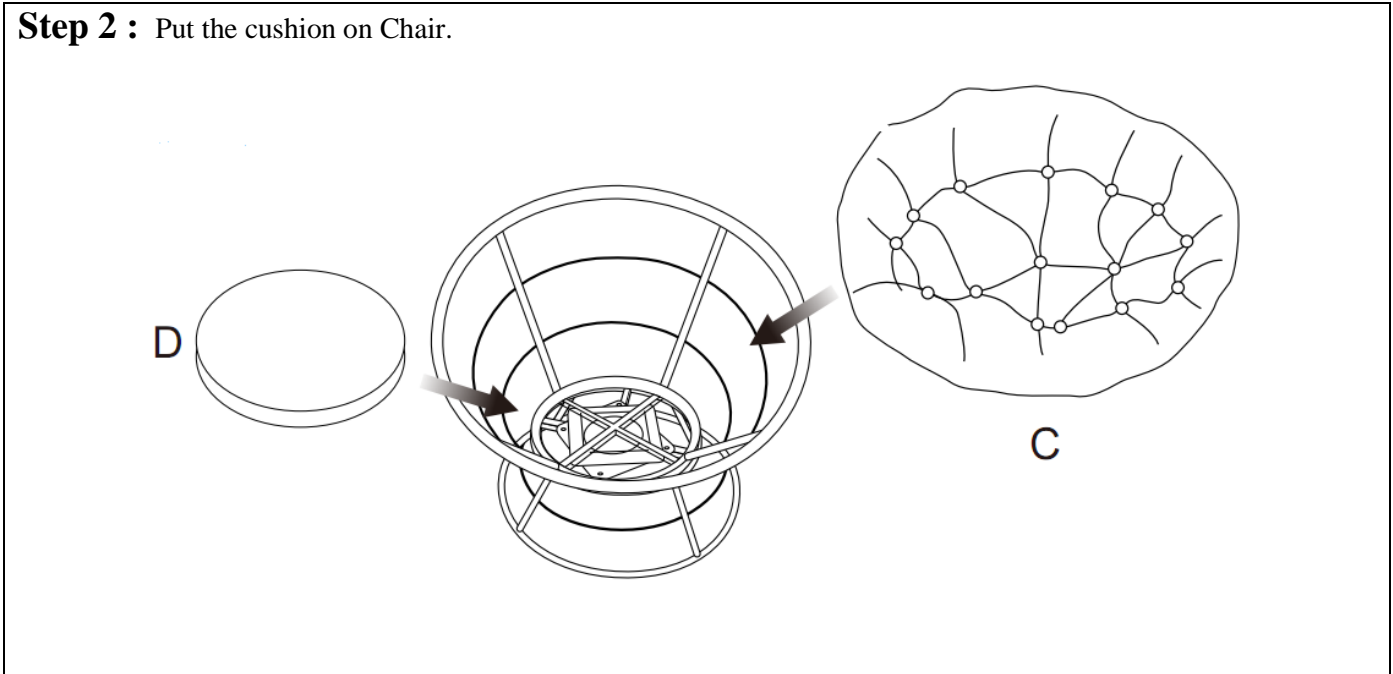
To Assemble:

Step 1 : Use 4 screws (6x12mm) and washers (H) to connect the base of papasan chair (A) with the seat (B).Then tighten all the screws.



To Assemble:

Step 2 : Put the cushion on Chair.



Care & Maintenance:

Spills

Immediately wipe up the spill using a white damp cloth. Repeat process if necessary until stain is gone. Allow cushion to air dry.

FABRIC CARE:

Hand wash cold, non-chlorine bleach when needed, lay flat to dry. Cool iron if necessary. Do not dry clean.

Resin Wicker Product Care

Before using, clean the product completely with a soft dry towel. When not in use, wipe free of any dirt or loose objects, wash with a mild solution of soap and water; Rinse thoroughly and dry completely. Do not use strong detergent or abrasive cleaners. Over time nuts and bolts can loosen. Occasionally, check nuts and bolts on the chair, re-tighten if necessary.