

## ASSEMBLING & INSTALLATION INSTRUCTIONS

The drawing shown may not exactly match the product enclosed. However, the installation instructions do apply to this product.

- ◆ **WARNING! SHUT POWER OFF AT FUSE OR CIRCUIT BREAKER.**
- ◆ **ATTENTION! COUPER LE COURANT AU FUSIBLE OU UN DISJONCTEUR.**

### ASSEMBLING THE FIXTURE (Fig.2)

1. Attach the pipe thread(D) to the top center coupling of fixture body (G) by turning it clockwise until tight, then slide the column(C) and cover(B) over end pipe thread of the fixture body, lock them with the hex nut, attach the loop(A) to the end pipe thread, by turning it clockwise until tight.
2. Slide the cover(F) onto the lamp holder, slide the candle sleeve(E) insert the lamp holder.
3. Install the light bulbs(Not included) in accordance with the fixture specifications.

**NOTE: DO NOT EXCEED THE SPECIFIED WATTAGE!**

\* If you not need assembly the fixture loop, please pause and refer to Fig. 2.1.

4. Take out the bottom loop of the canopy and take the loop of lamp body, then take the canopy to the lamp body, lock it with the lock washer and hex nut until tight.
5. Attach the lamp body to the ceiling, lock it securely with the ball nuts.

### HANGING THE FIXTURE (Fig.1)

1. Shut off the power at the circuit breaker and remove old fixture from ceiling, including the old single bar. Carefully unpack new fixture and lay all the parts on a clear surface.
2. Thread the two mounting screws into the pre-drilled holes in the Mounting plate spaced the same distance apart as the holes in the canopy. Attach the Mounting plate to the Junction Box with the two Junction Box Screws as shown. The side of the Mounting plate marked "GND" must face to out. **The junction box is not included.**
3. By measuring, determine correct number of links needed for proper hanging height. Using proper chain pliers disconnect and discard remaining chain. Attach the end pipe thread of the chain into the canopy center hole, lock it securely with the lock washer and hex nut.
4. Lace the fixture wires through the chain. Open the end link of the chain and hang the loop at the ceiling and fixture body. Close the link. Feed the fixture wires through the loop of the canopy and pull until taut.
5. Slide canopy up flush to ceiling, lock it securely with ball nuts.

### CONNECTING THE WIRES (Fig.3)

1. Take the black wire from the ceiling junction box and the smooth wire leg from the fixture and twist bare ends together. Twist wire connector onto end of wire until snug.
2. Repeat same process with white junction box wire and ribbed wire leg of fixture wire. **NOTE:** Twist wires together in the same direction you twist the wire connector onto wires.
3. If your junction box has a grounding wire (green or bare copper), attach this wire and the bare copper wire from the fixture together as step 1. If junction box has no ground wire, attach the bare copper fixture wire to the green ground screw on the mounting plate.
4. Tuck these wire connections neatly into the ceiling outlet box and then raise the canopy all the way to the ceiling, lock it securely with ball nuts.

Your installation is now complete. Return power to the junction box and test the fixture.

Fig.2

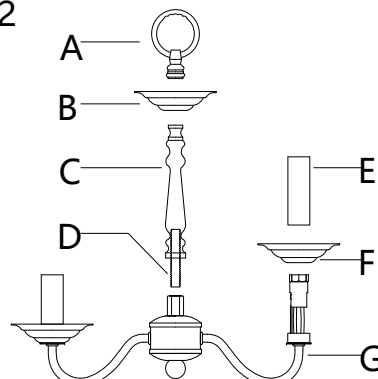


Fig.2.1

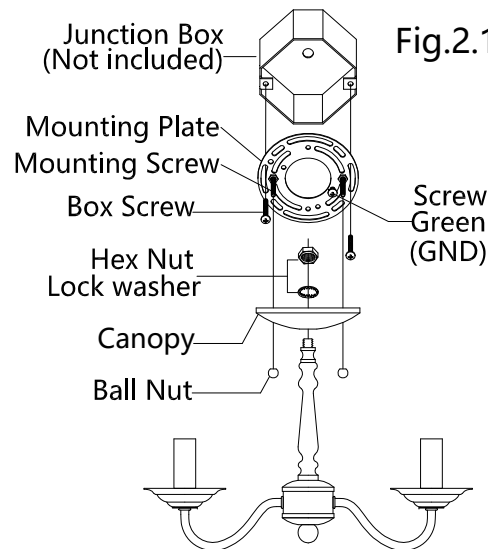


FIG.1

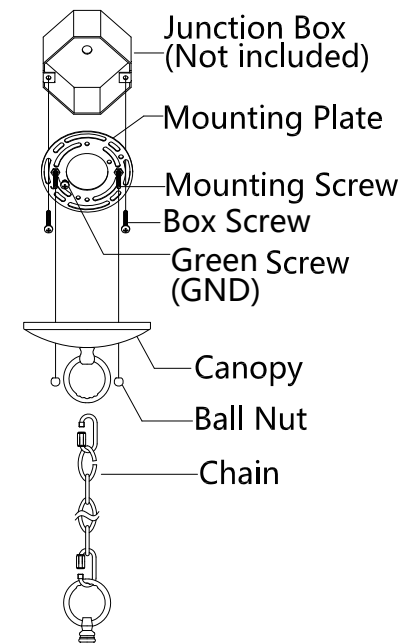


FIG.3

FIXTURE WIRES  
Black or Smooth

HOUSE WIRES  
Black(Hot)

FIXTURE WIRES  
White or Ribbed

HOUSE WIRES  
White (Neutral)

FIXTURE WIRES  
Bare Copper (Ground)

HOUSE WIRES  
Green or Bare Copper(Ground)