



WARNING!

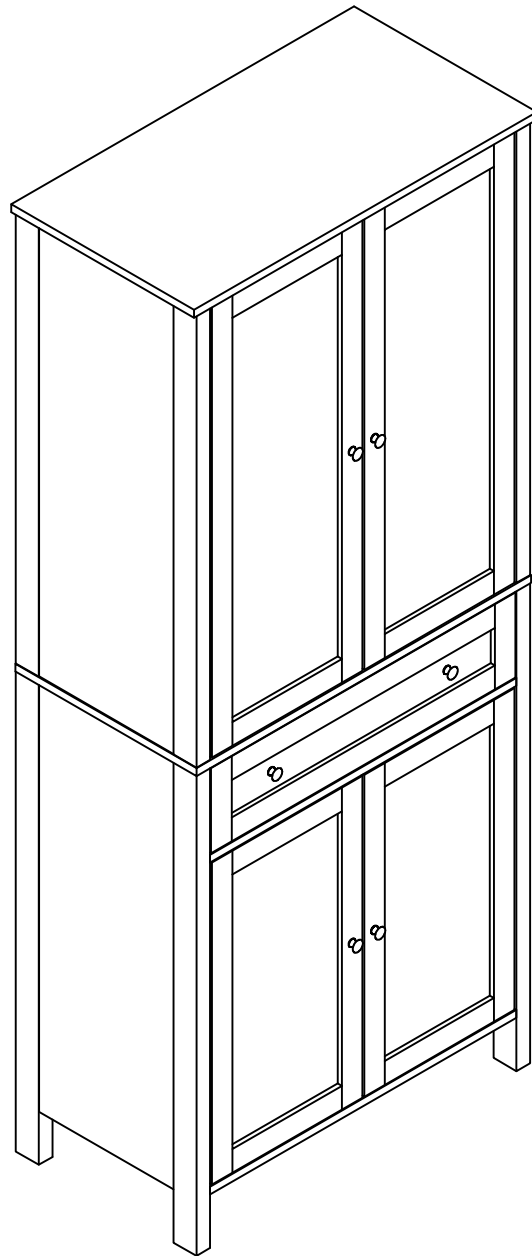
Children have died from furniture tipover. Fixed wall device have been included with this product;you must install the fixed wall device according to these instructions in order to minimize the risk of furniture.If you have any questions about this product or the Fixed wall device , please contact us immediately.

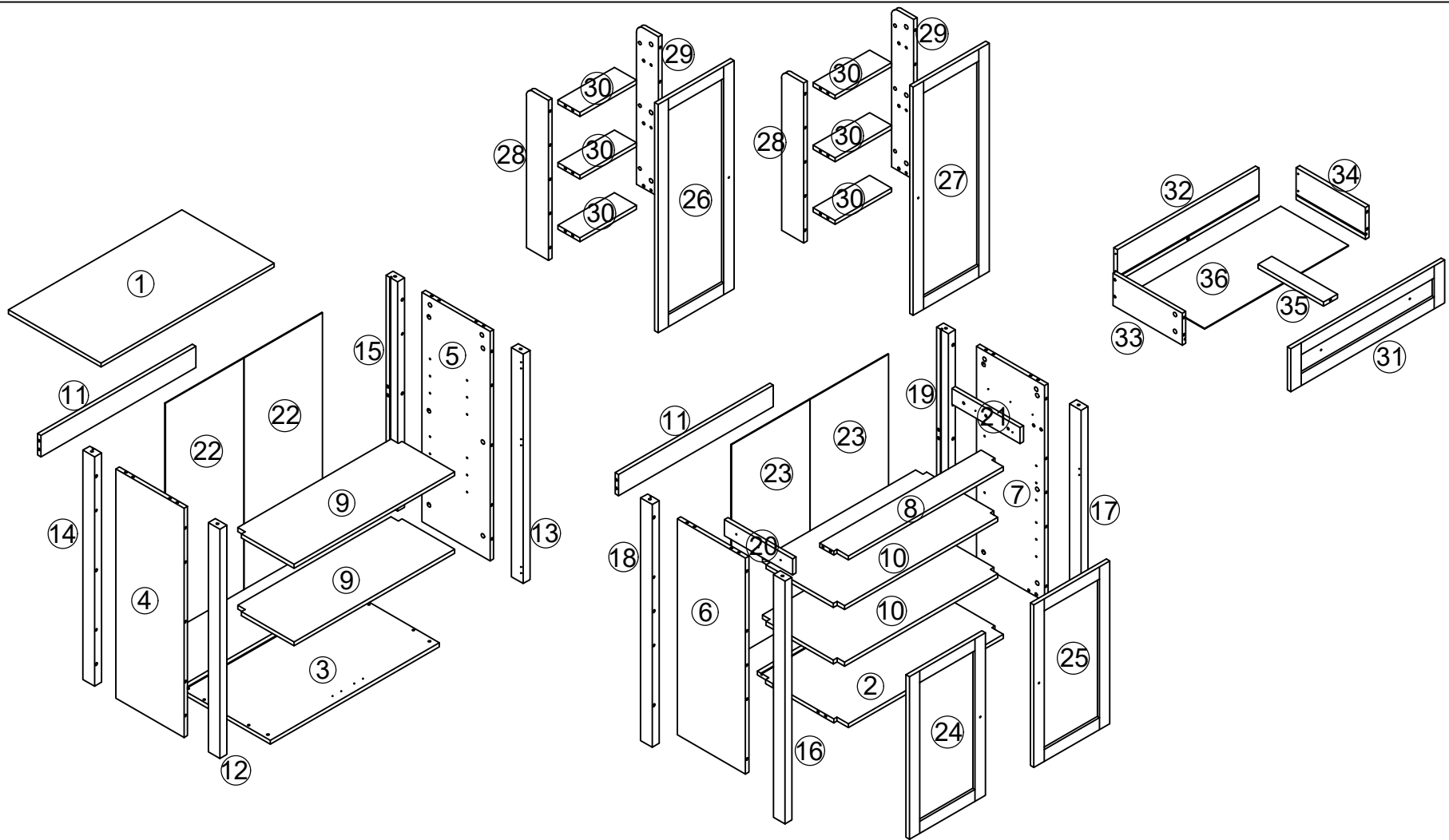
Never allow children to climb or hang on furniture,including drawers or cabiner doors.

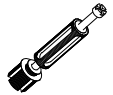

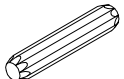

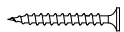
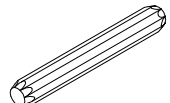
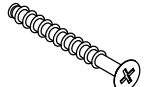

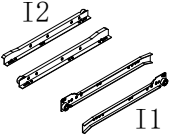
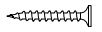
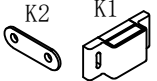



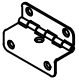

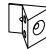

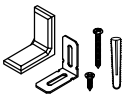
In addition to installing the restrains,to help prevent tip-over.

1. Never put a TV or other heavy objects on top of this product.
2. Do not stand on the product.

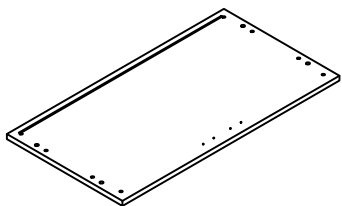
| ⚠ WARNING | |
|---|--|
|  | <p>Children have died from furniture tipover. To reduce the risk of furniture tipover:</p> <ul style="list-style-type: none">• ALWAYS install tipover restraint provided.• NEVER put a TV on this product.• NEVER allow children to stand, climb or hang on drawers, doors, or shelves.• NEVER open more than one drawer at a time.• Place heaviest items in the lowest drawers.• Do not defeat or remove the drawer interlock system. |
|  | <p><i>This is a permanent label. Do not remove!</i></p> |





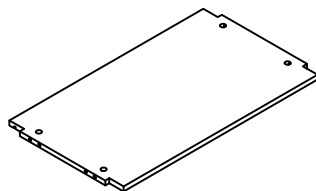
| | | | | | | | | | |
|---|---|---|---|---|---|--|---|---|--|
| <p>A</p>  <p>72PCS</p> | <p>B</p>  <p>72PCS</p> | <p>C</p> <p>8*40</p>  <p>52PCS</p> | <p>D</p> <p>3.5*14</p>  <p>82PCS</p> | <p>E</p> <p>3.5*35</p>  <p>4PCS</p> | <p>F</p> <p>8*60</p>  <p>4PCS</p> | <p>G</p> <p>7*50</p>  <p>4PCS</p> | <p>H</p>  <p>16PCS</p> | <p>I</p> <p>300mm</p>  <p>I2 I1 1PCS</p> | <p>J</p> <p>3.5*25</p>  <p>6PCS</p> |
| <p>K</p>  <p>K2 K1 6PCS</p> | <p>L</p>  <p>6PCS</p> | <p>M</p> <p>4*12</p>  <p>2PCS</p> | <p>N</p> <p>4*20</p>  <p>4PCS</p> | <p>O</p>  <p>10PCS</p> | <p>P</p> <p>263mm</p>  <p>6PCS</p> | <p>Q</p>  <p>16PCS</p> | <p>R</p> <p>3*12</p>  <p>16PCS</p> | <p>S</p>  <p>2PCS</p> | |

1



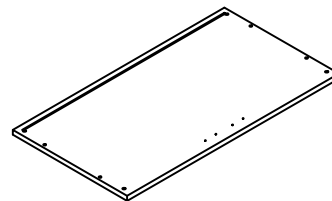
750*400 1PS

2



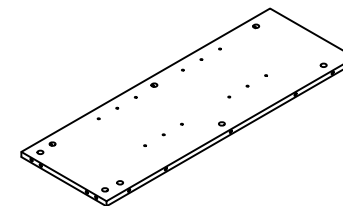
698*395 1PS

3



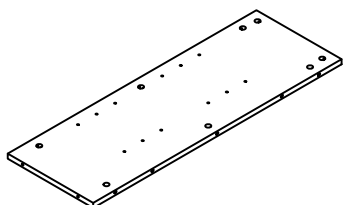
732*396 1PS

4



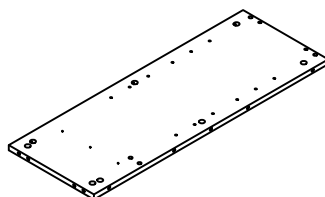
860*295 1PS

5



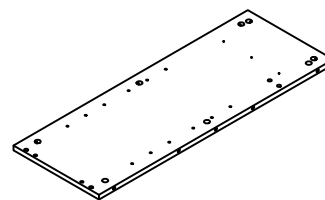
860*295 1PS

6



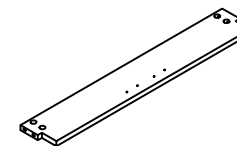
810*295 1PS

7



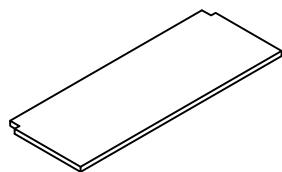
810*295 1PS

8



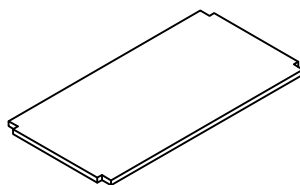
698*110 1PS

9



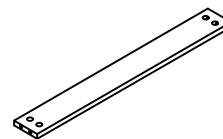
695*260 2PS

10



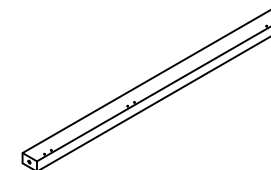
695*355 2PS

11



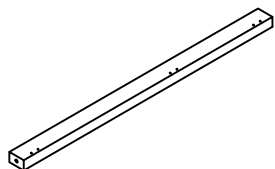
670*80 2PS

12



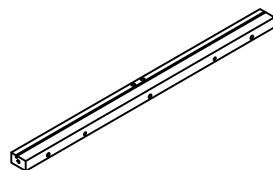
860*50 1PS

13



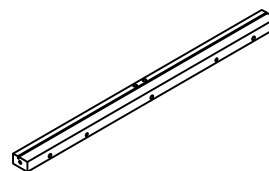
860*50 1PS

14



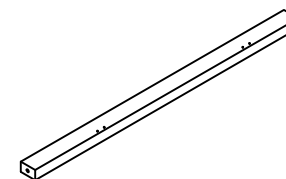
860*50 1PS

15



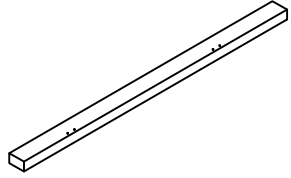
860*50 1PS

16



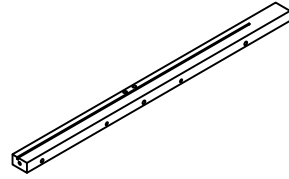
910*50 1PS

17



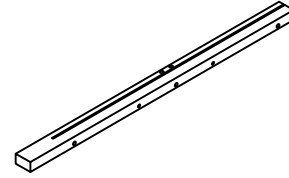
910*50 1PS

18



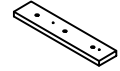
910*50 1PS

19



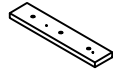
910*50 1PS

20



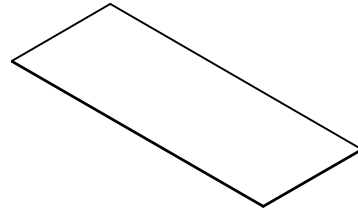
295*60 1PS

21



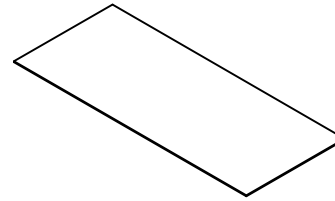
295*60 1PS

22



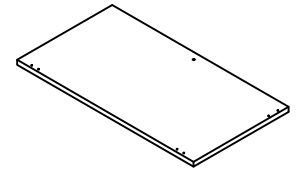
869*340 2PS

23



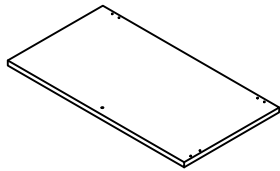
803*340 2PS

24



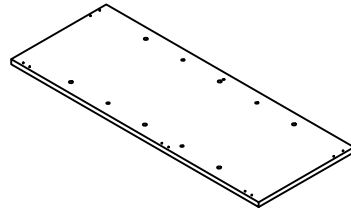
618*337 1PS

25



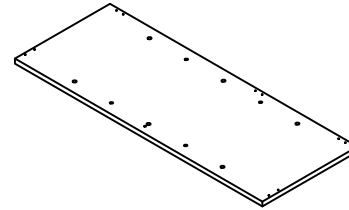
618*337 1PS

26



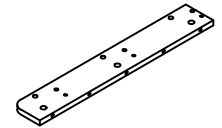
864*337 1PS

27



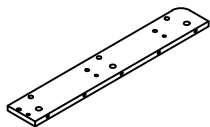
864*337 1PS

28



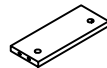
600*95 2PS

29



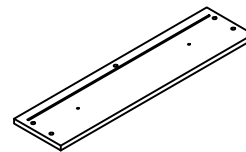
600*95 2PS

30



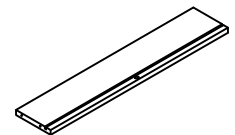
244*95 6PS

31



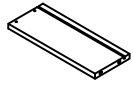
674*169 1PS

32



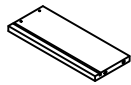
613*120 1PS

33



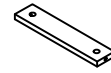
300*120 1PS

34



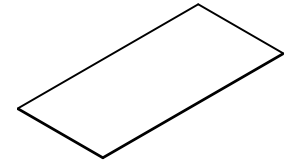
300*120 1PS

35



284*60 1PS

36



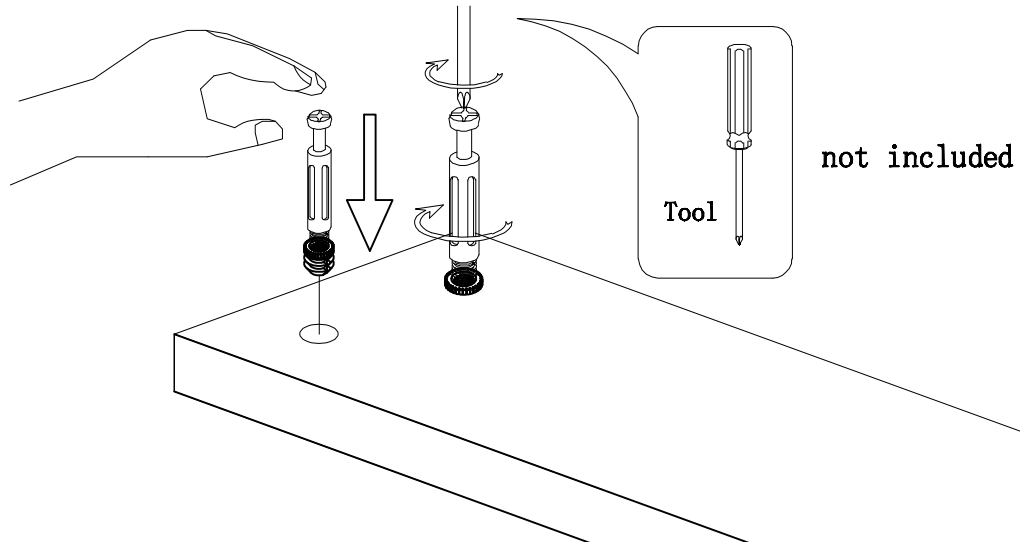
623*293 1PS



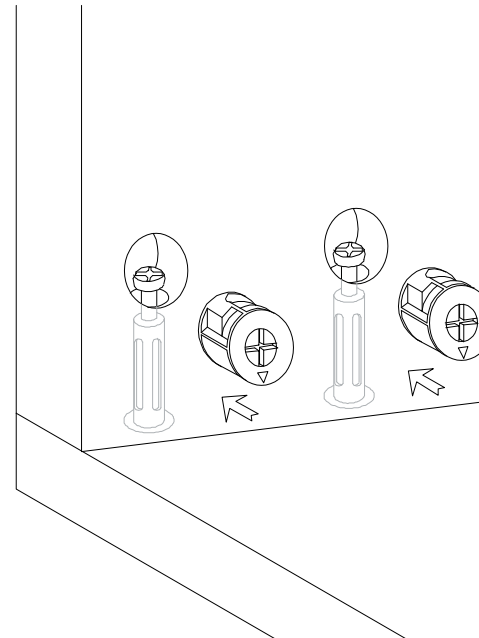
Hardware installation demonstration

NOTE: Please make sure "A" hardware tightened and can't be pulled out!

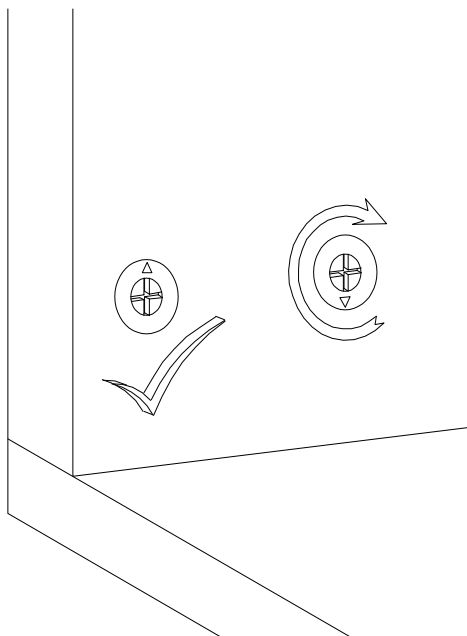
I



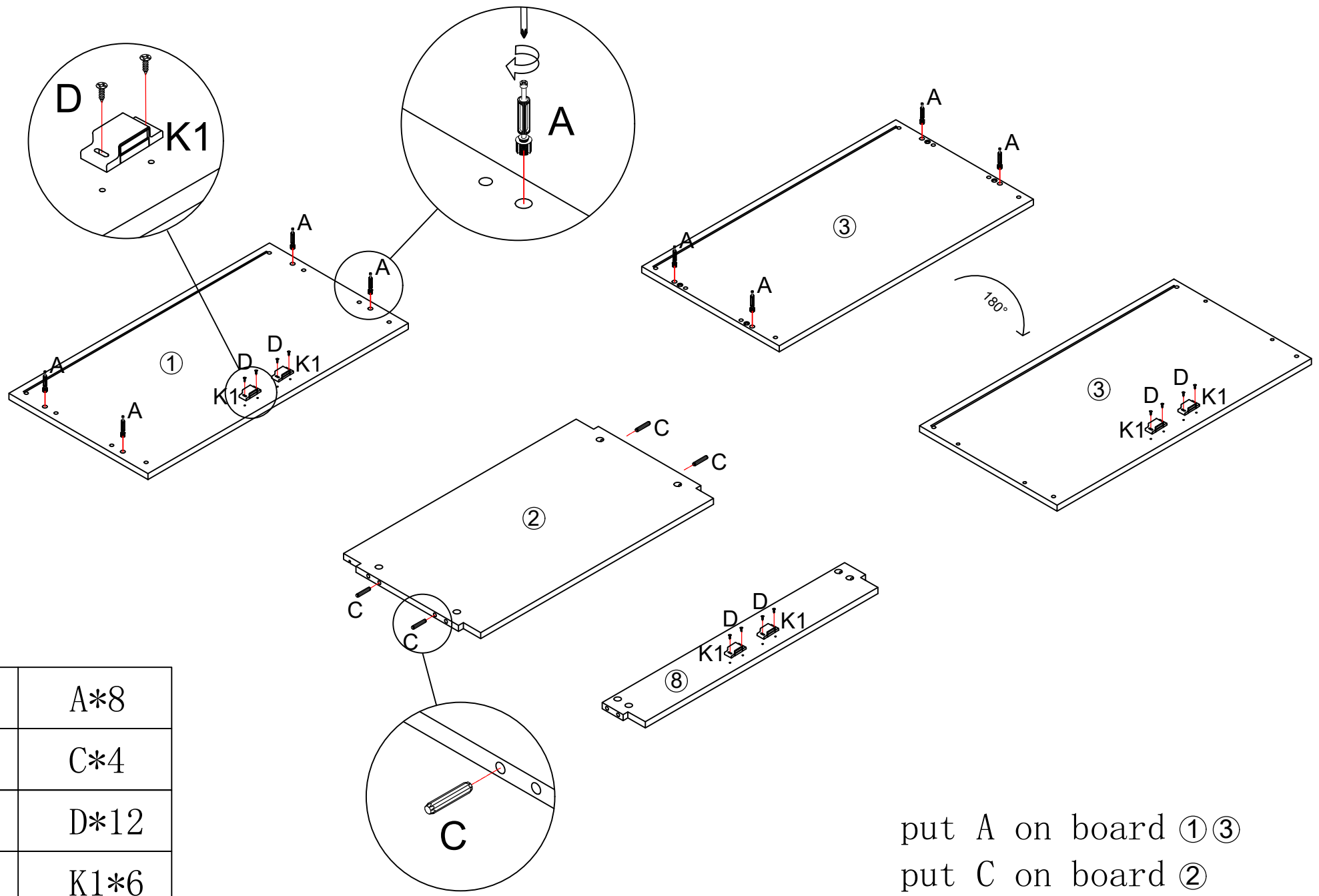
II


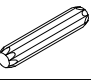




III



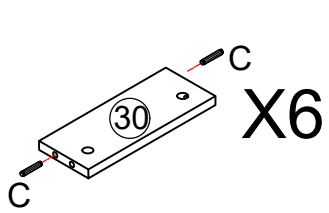
1



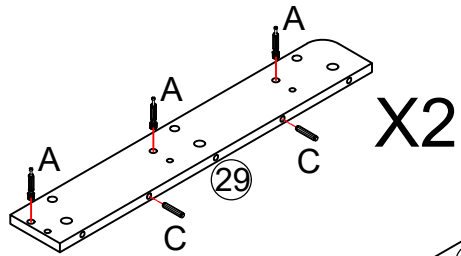
| | |
|--|------|
|  | A*8 |
|  | C*4 |
|  | D*12 |
|  | K1*6 |

put A on board ①③
put C on board ②

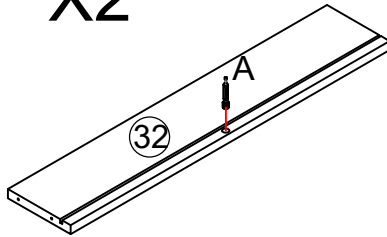
2



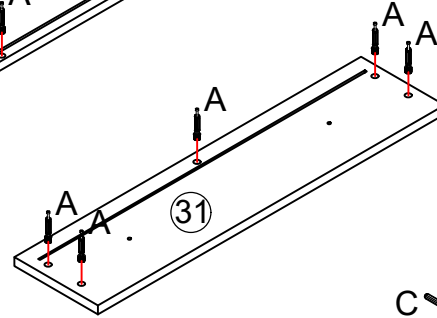
X6



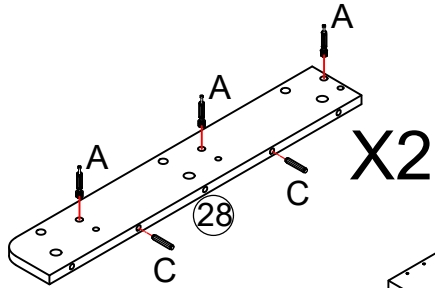
X2



32

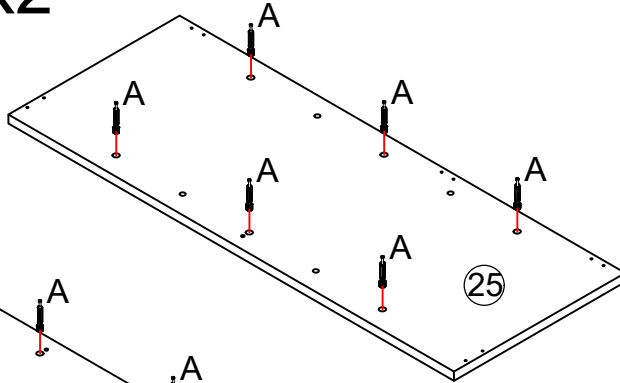


31

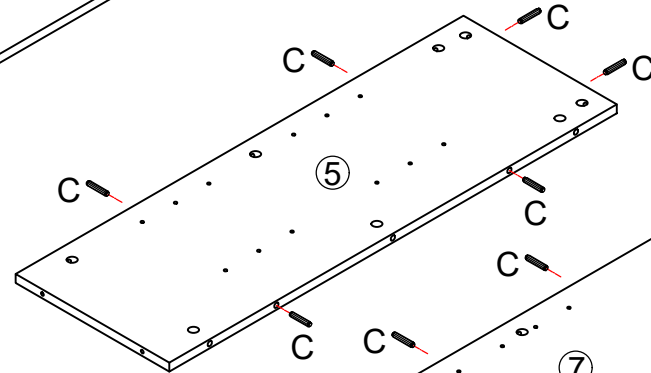


X2

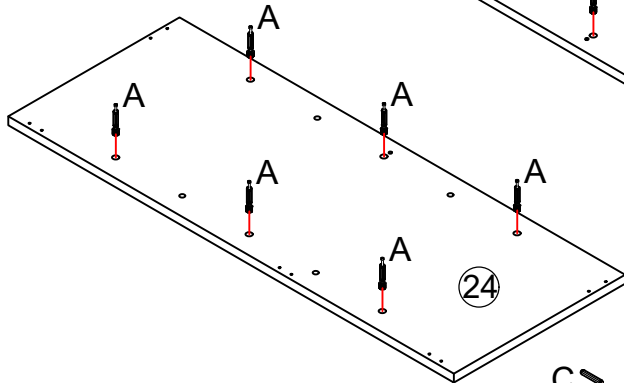
28



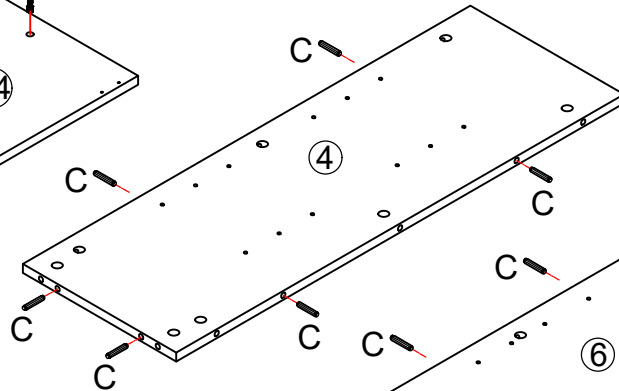
25



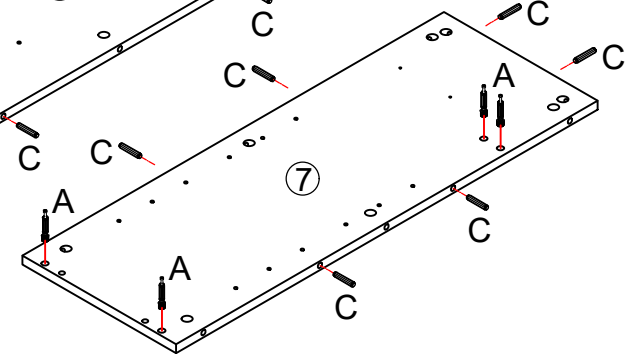
5



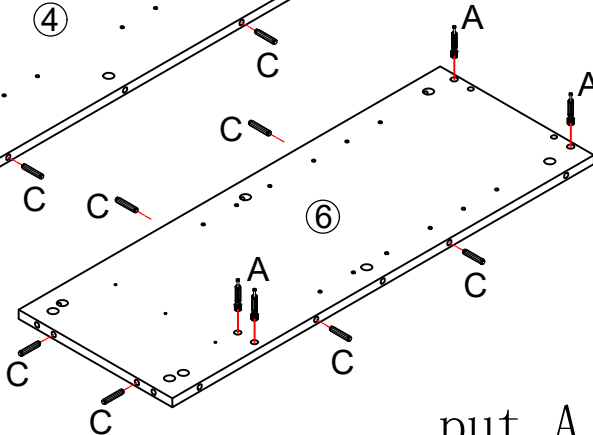
24



4



7



6



A*38

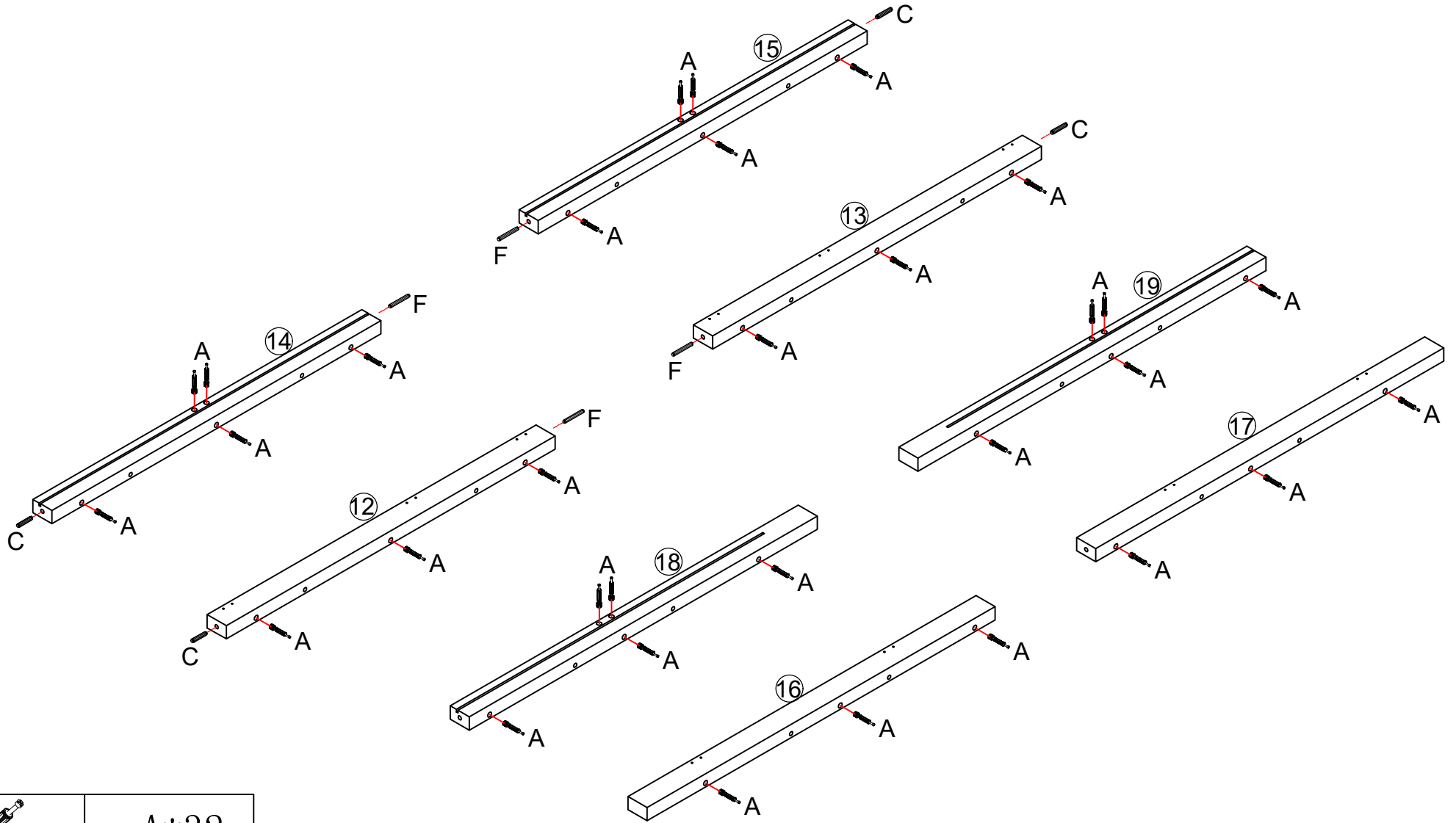



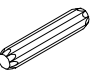
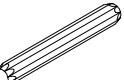
C*44

put A on board ⑥ ⑦ ②④ ②⑤ ②⑧ ②⑨ ③① ③②

put C on board ④ ⑤ ⑥ ⑦ ②⑧ ②⑨ ③①

3

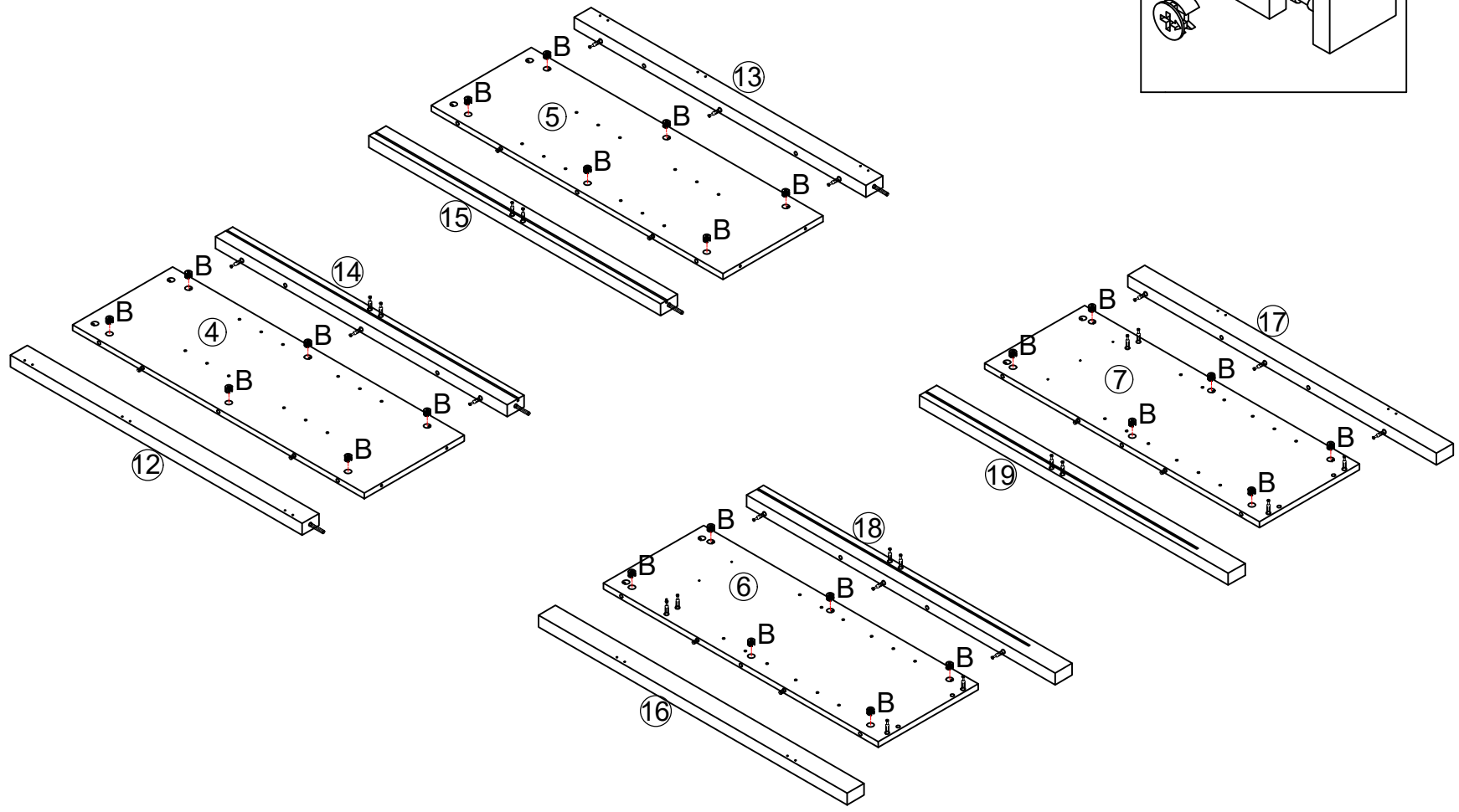
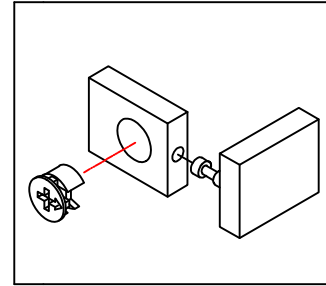


| | |
|--|------|
|  | A*32 |
|  | C*4 |
|  | F*4 |

put A on board ⑫ ⑬ ⑭ ⑮ ⑯ ⑰ ⑱
put C on board ⑫ ⑬ ⑭ ⑮
put F on board ⑫ ⑬ ⑭ ⑮

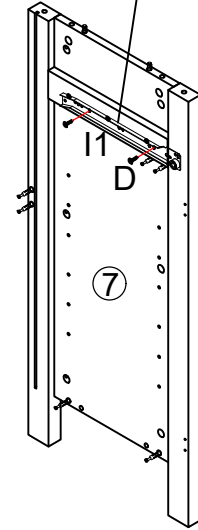
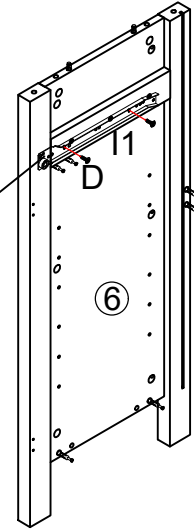
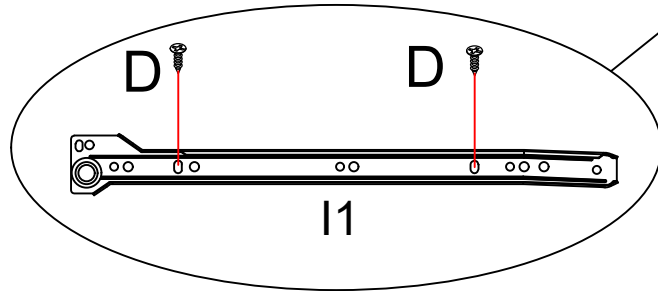
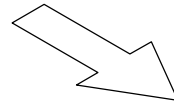
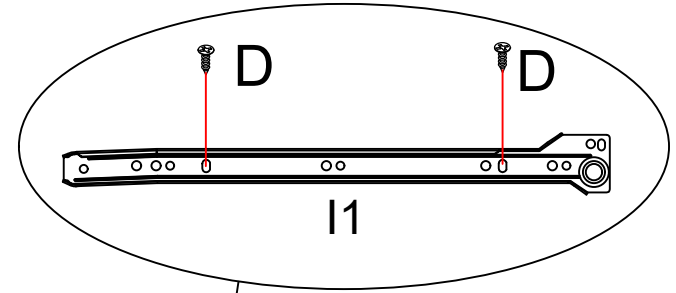
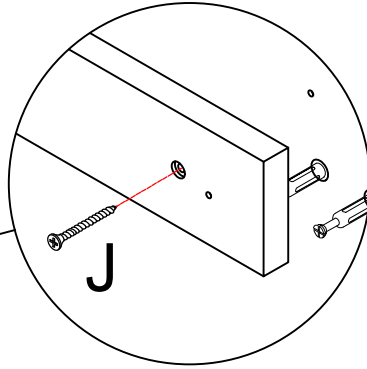
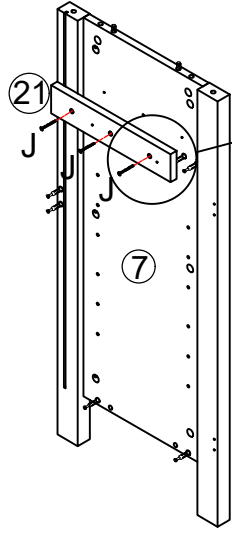
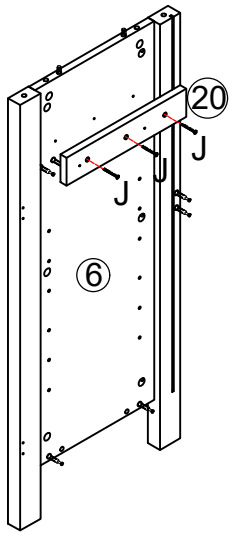
4


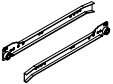
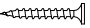
Make sure the arrow on the screw align to the hole on the side.



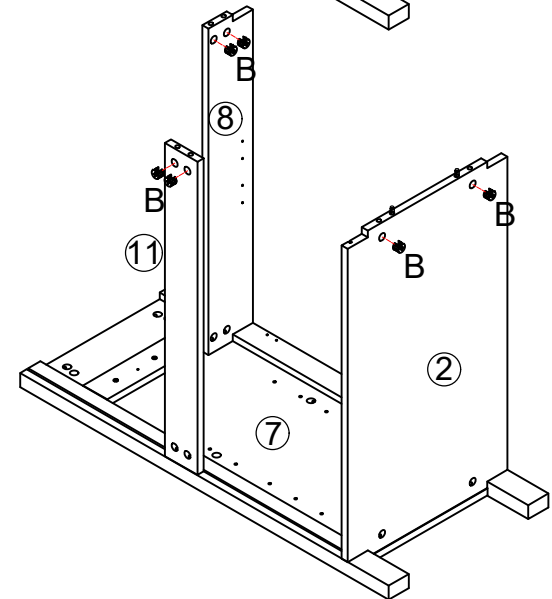
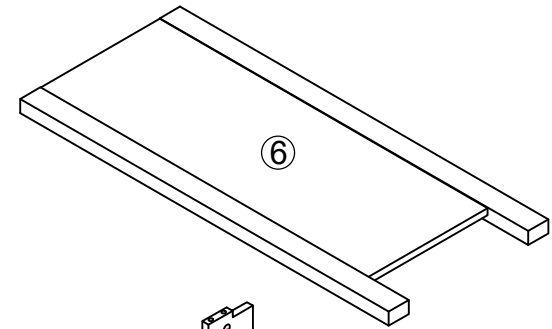
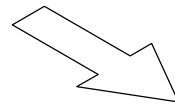
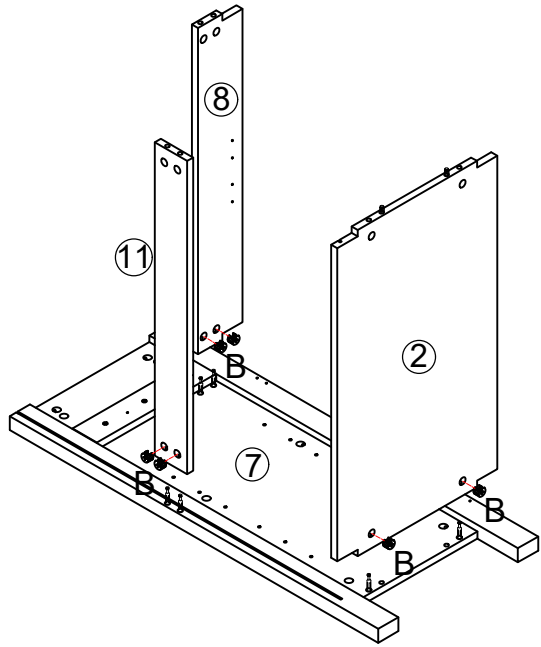
B*24

5



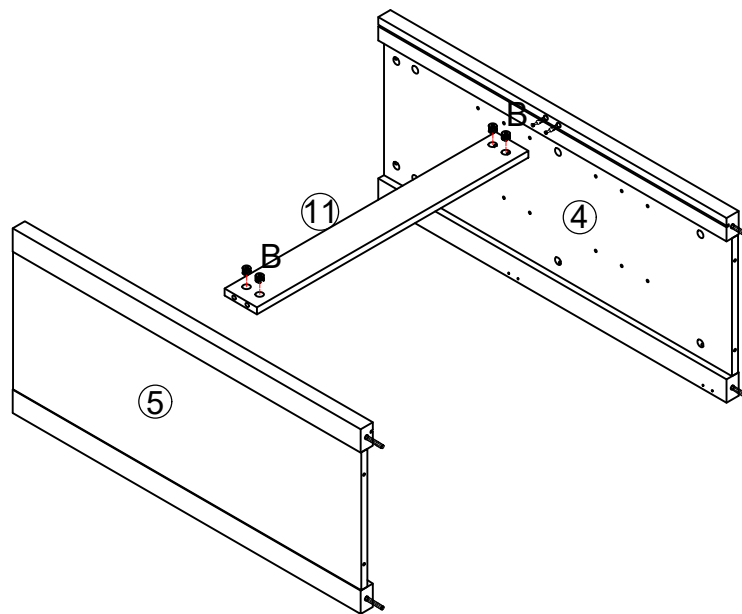
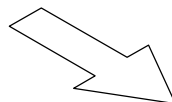
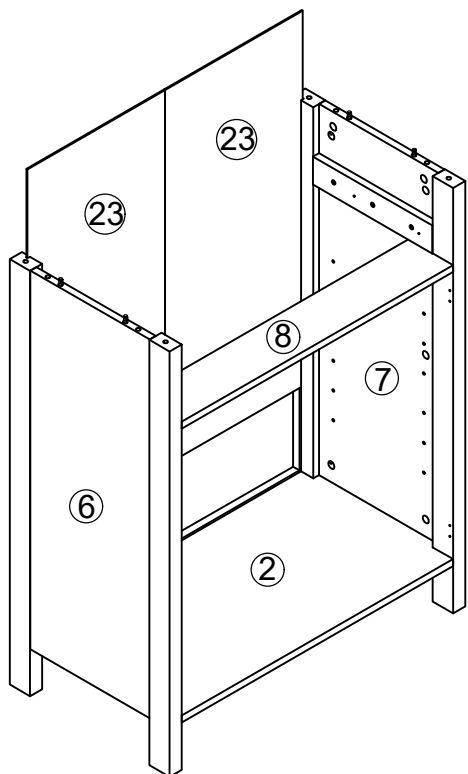
| | |
|---|------|
|  | D*4 |
|  | I1*1 |
|  | J*6 |

6



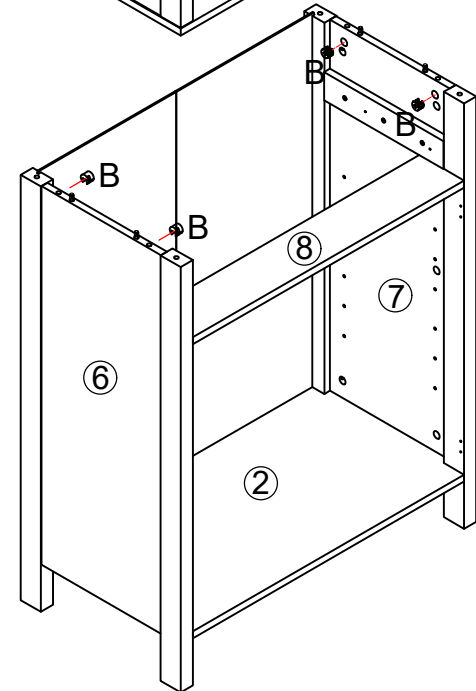
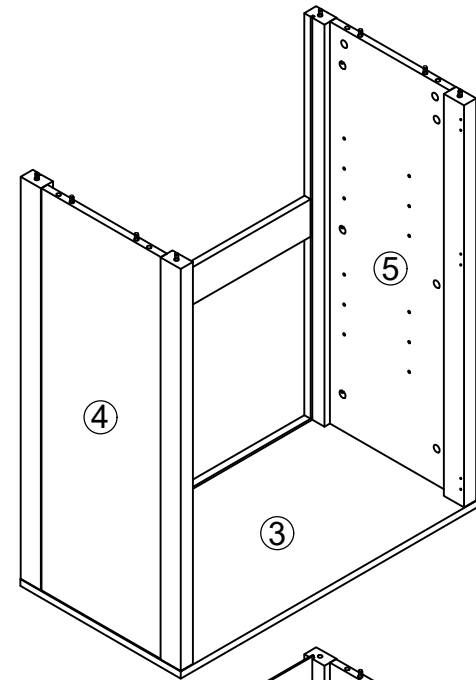
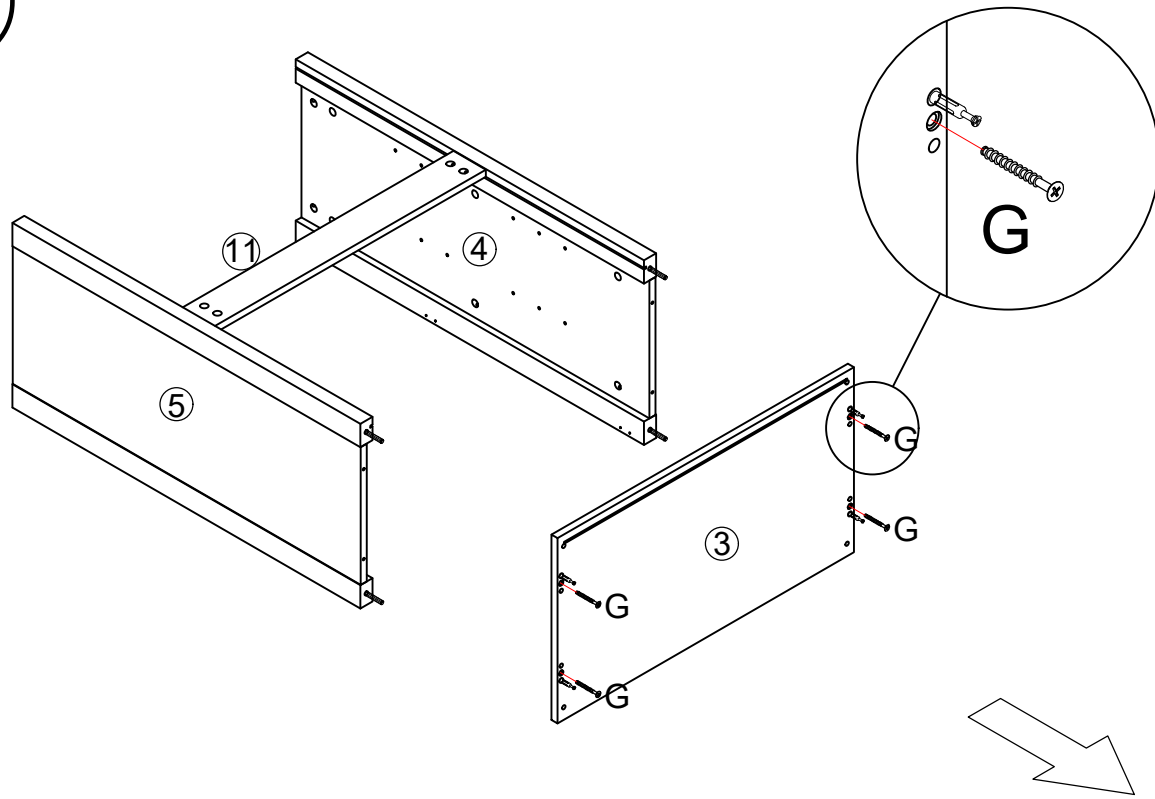
B*12

7



B*4

8

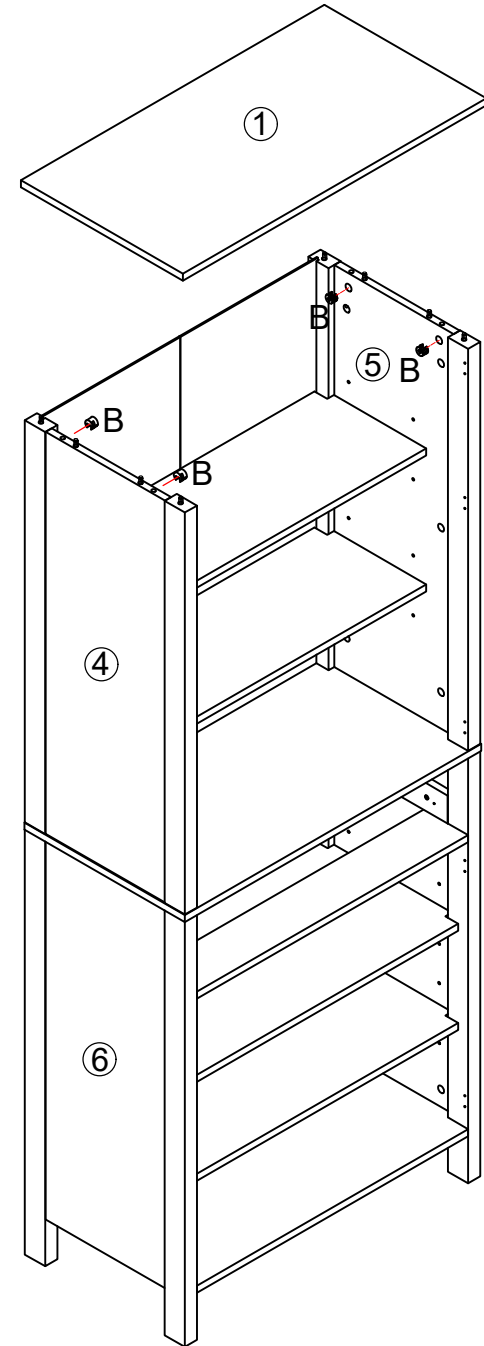
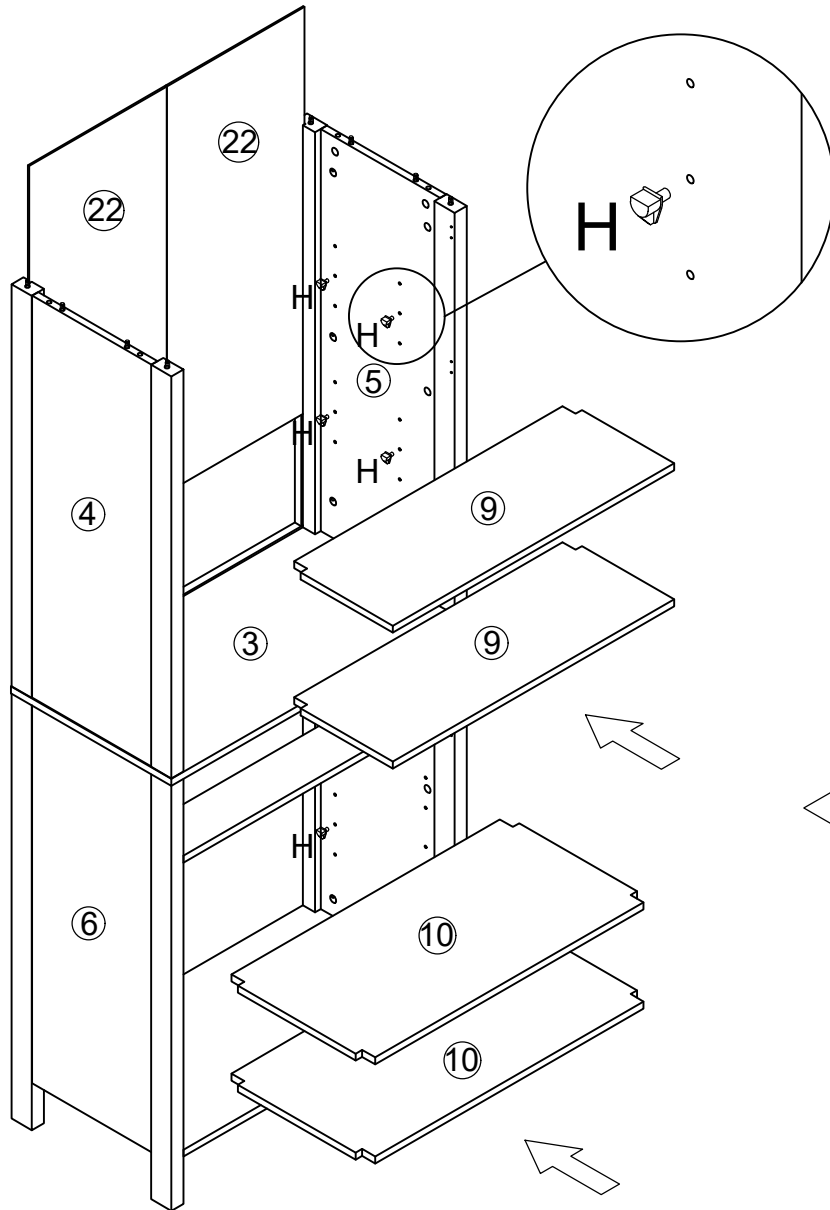


B*4



G*4

9

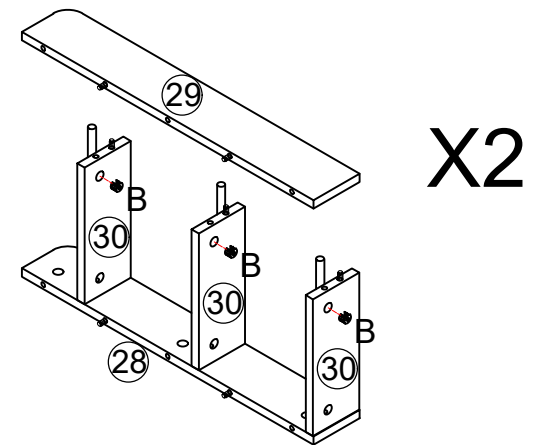
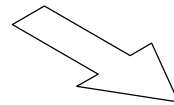
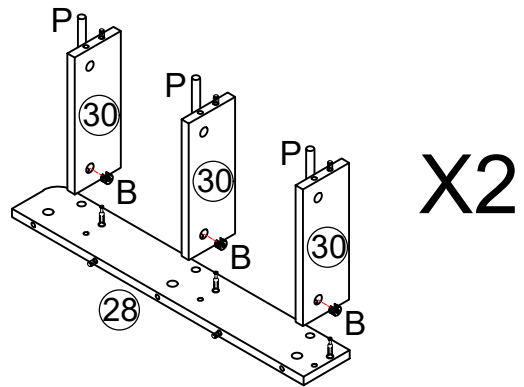


B*4



H*16

10

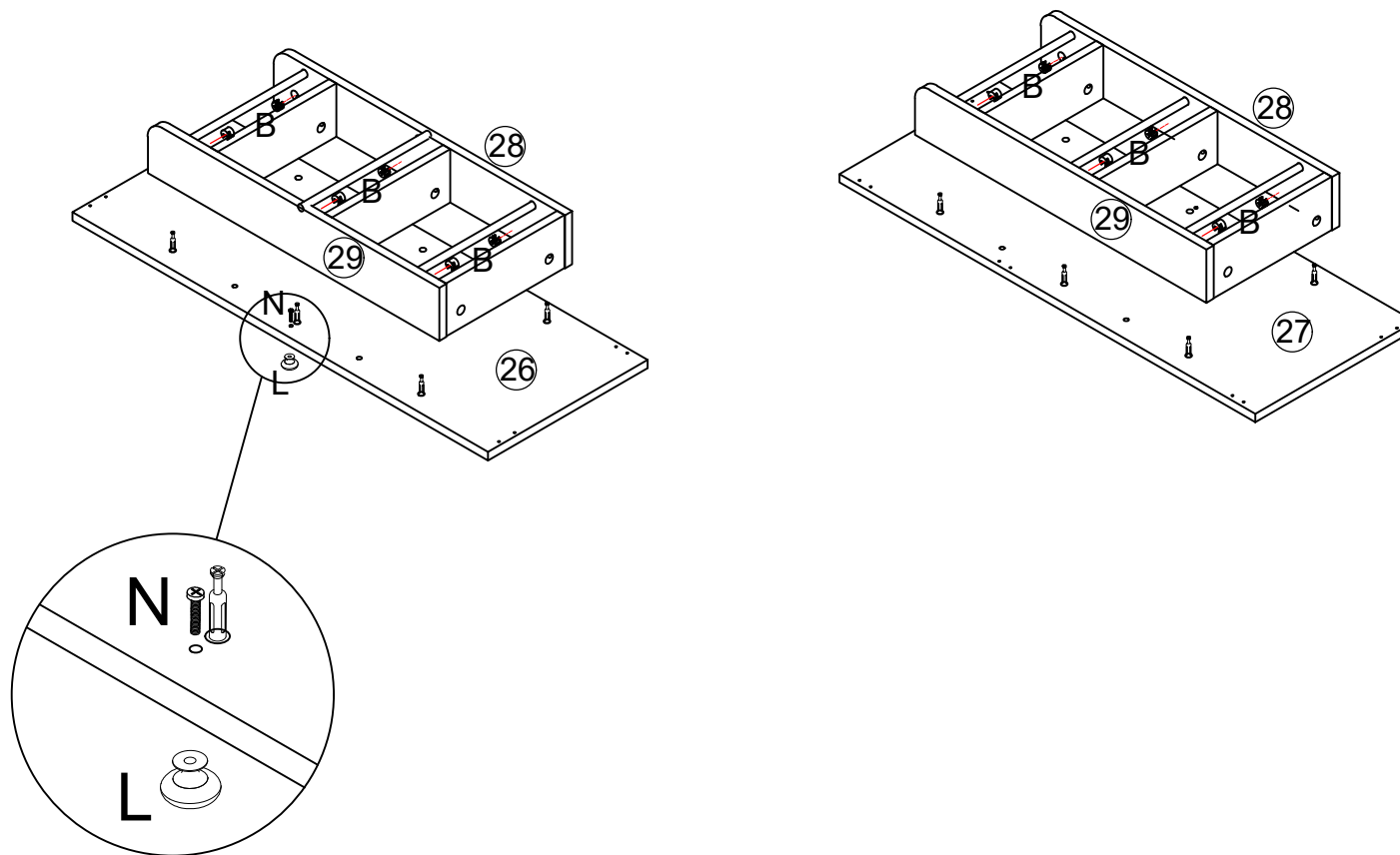


B*12



P*6

11



B*12

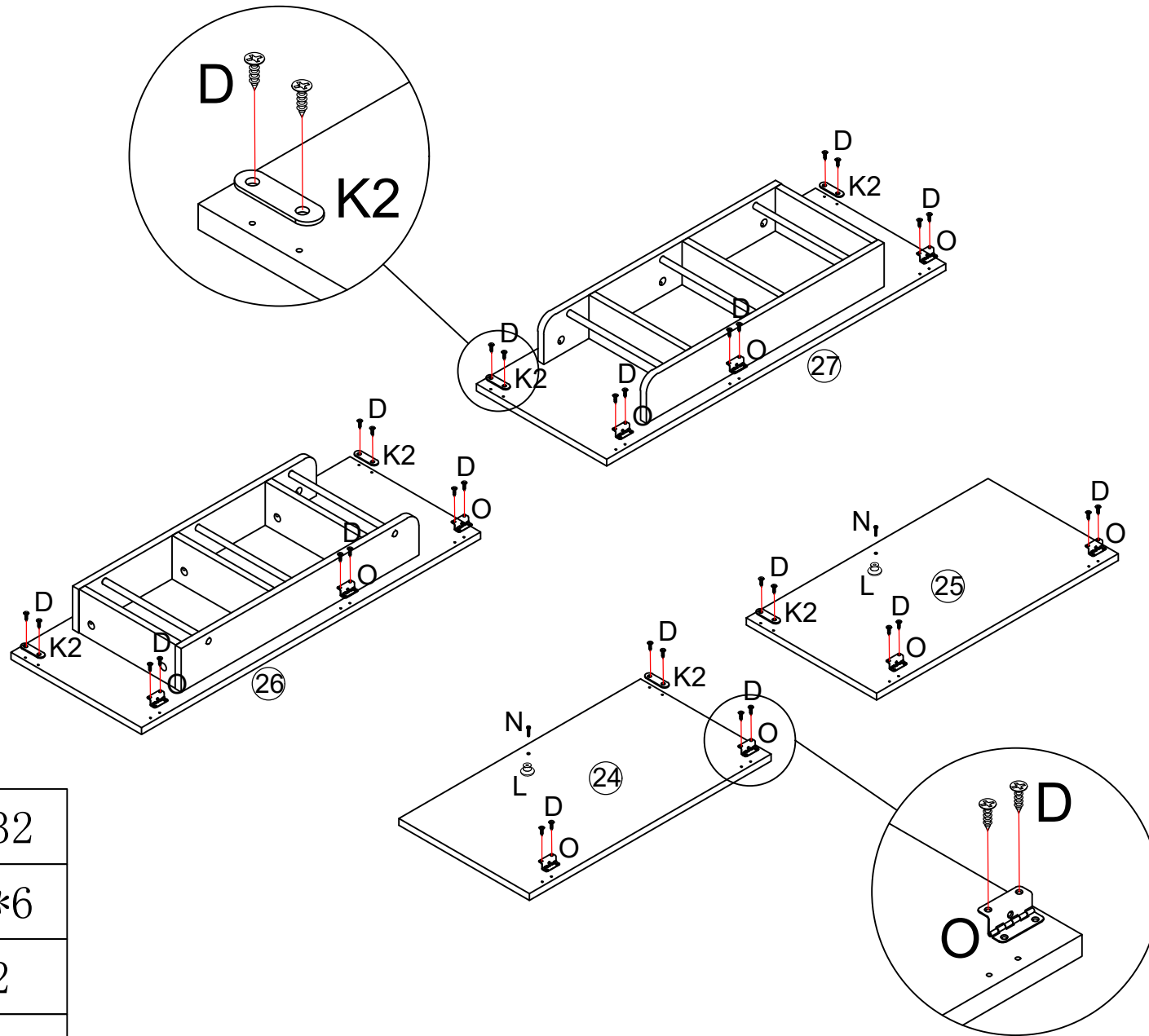


L*2

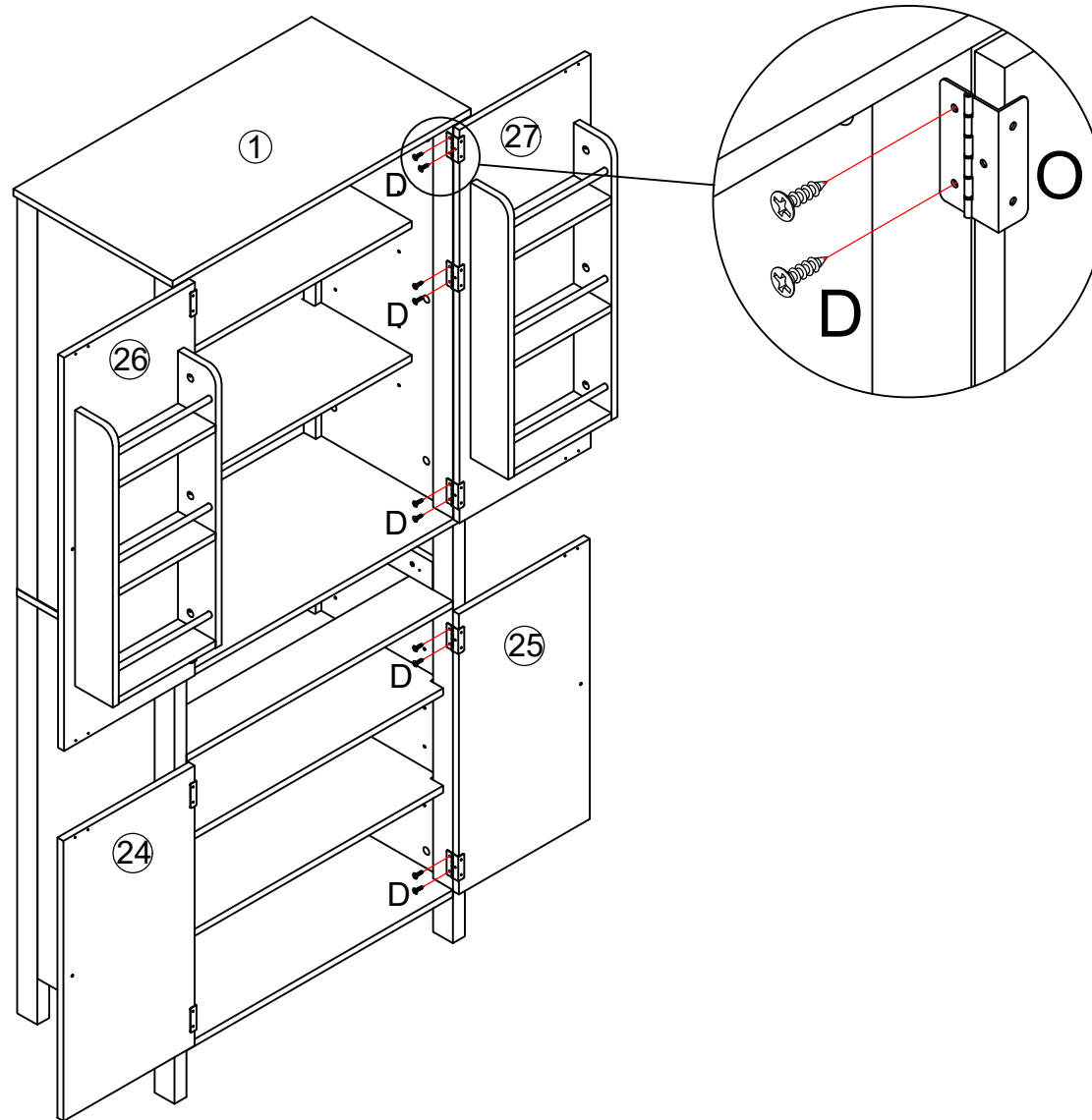


N*2

12

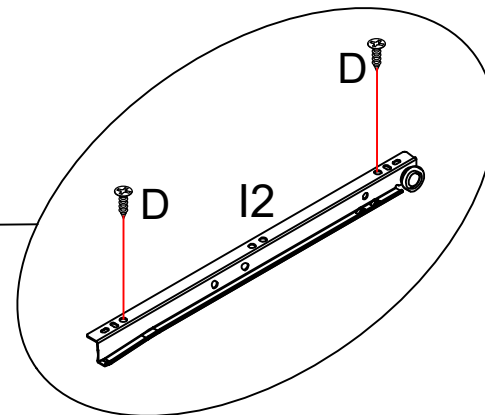
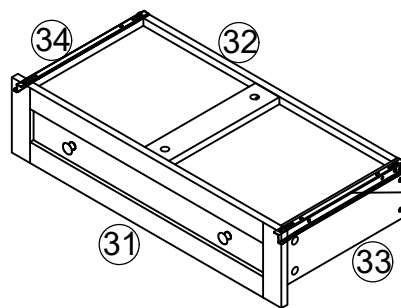
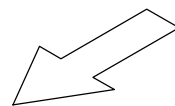
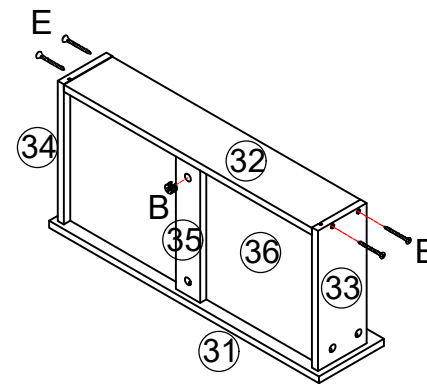
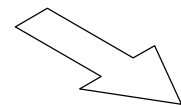
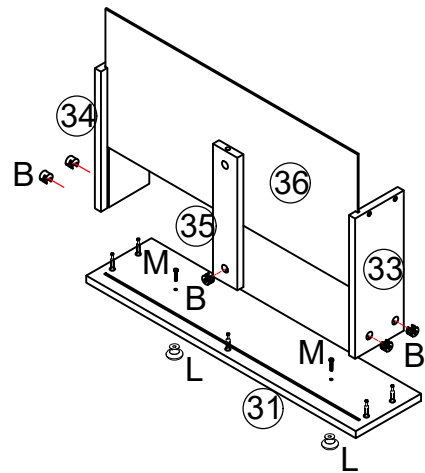


13



D*30

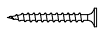
14



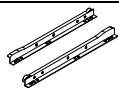
B*6



D*4



E*4



I2*1

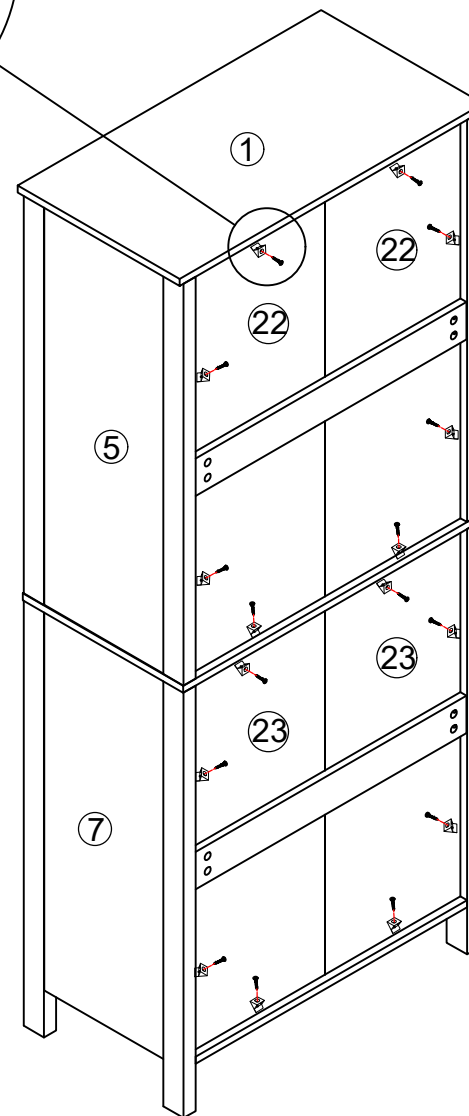
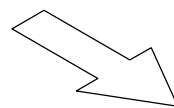
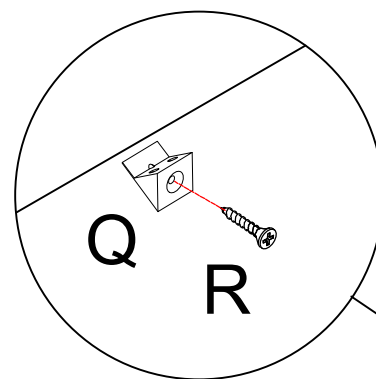
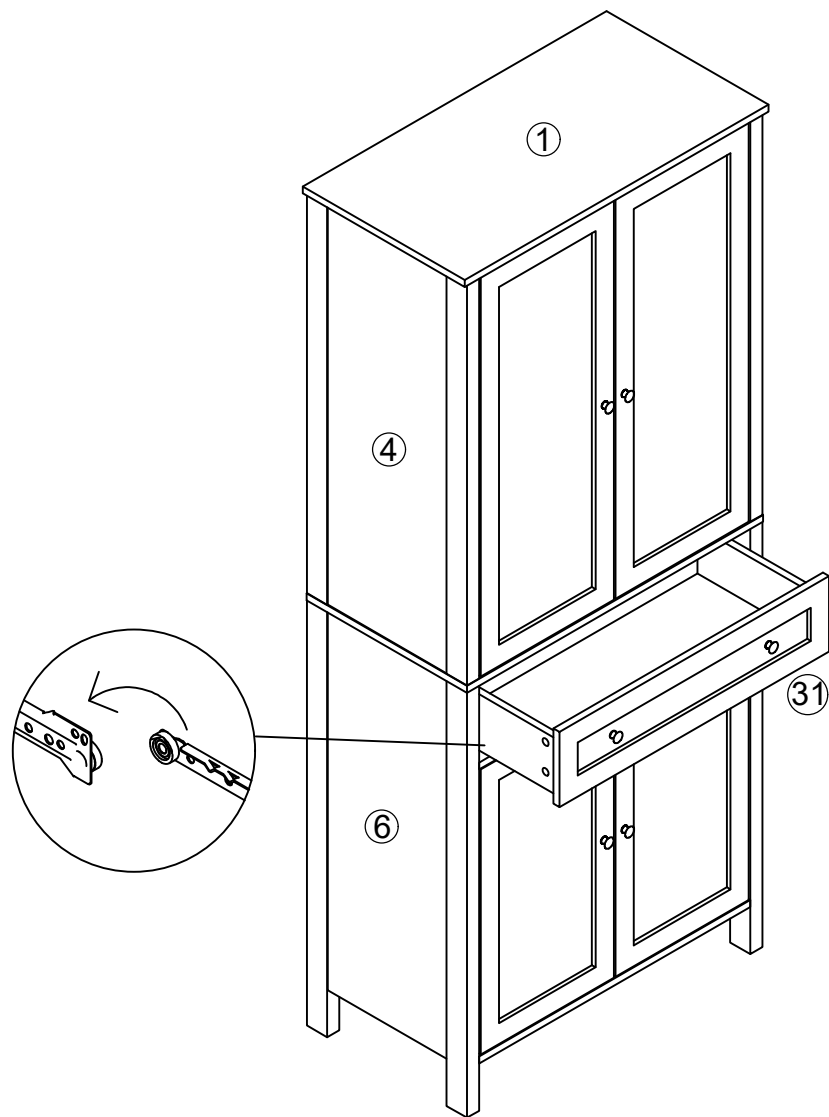


L*2



M*2

15

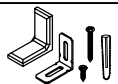
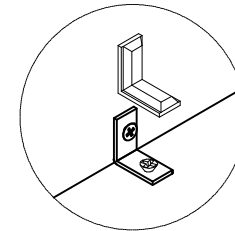
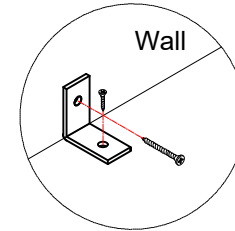
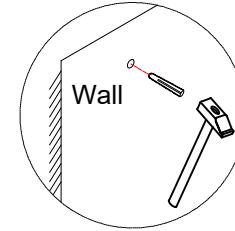
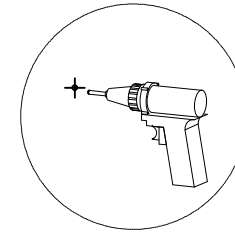
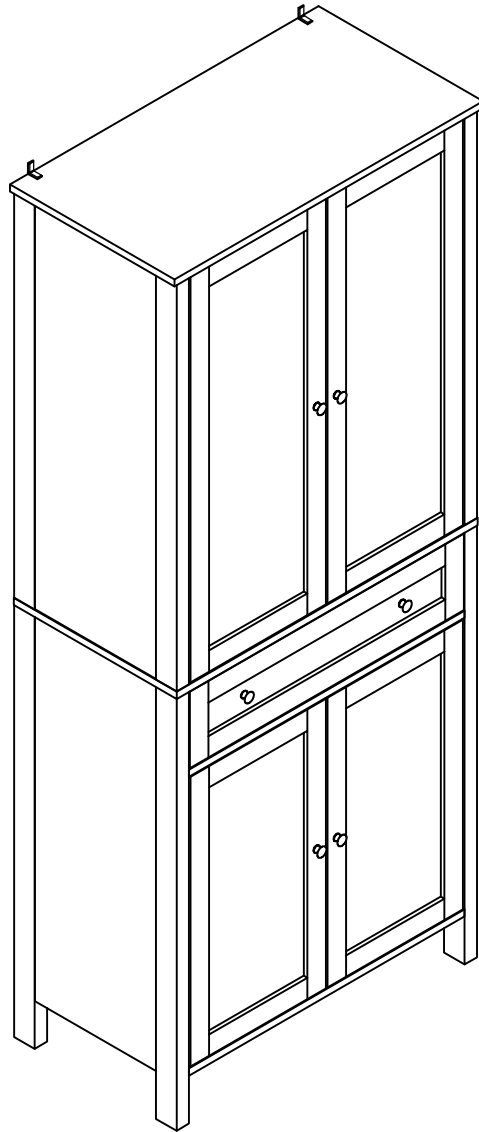


Q*16



R*16

16



S*2

Please install tip-proof fitting.