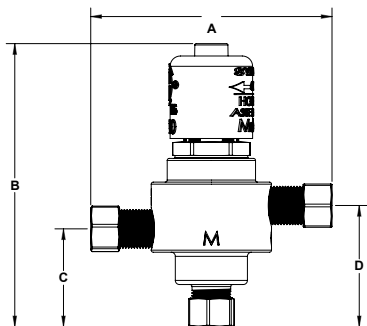
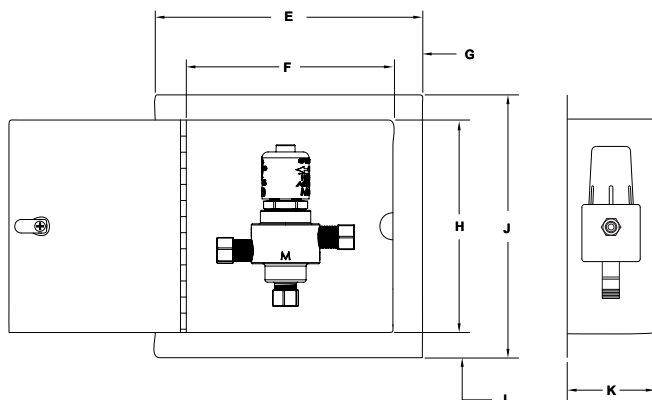


## Dimensions



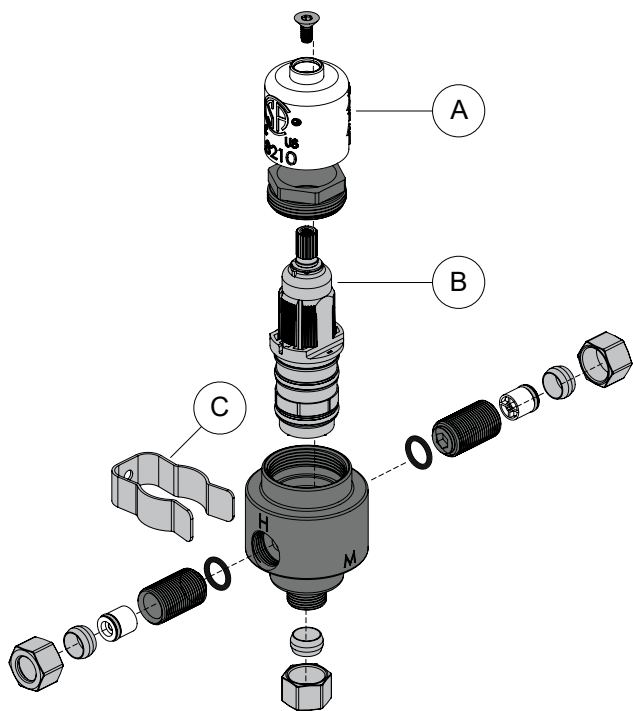
Wall cabinet (optional)



Measurements 8210CK	
A	3-1/2", 89 mm
B	4-1/8", 104 mm
C	1-7/16", 37 mm
D	1-3/4", 45 mm
E	12-1/4", 311 mm
F	10", 254 mm
G	1-1/8", 29 mm
H	10", 254 mm
I	1-1/8", 29 mm
J	12-1/4", 311 mm
K	4", 102 mm

Note: Dimensions are subject to change without notice.

## Parts Breakdown



Replacement Parts 8210CK*****		
Item	Description	Part No.
A	Safety cap	TMX302
B	Cartridge	TMX303
C	Wall mount hanger bracket	TMX304