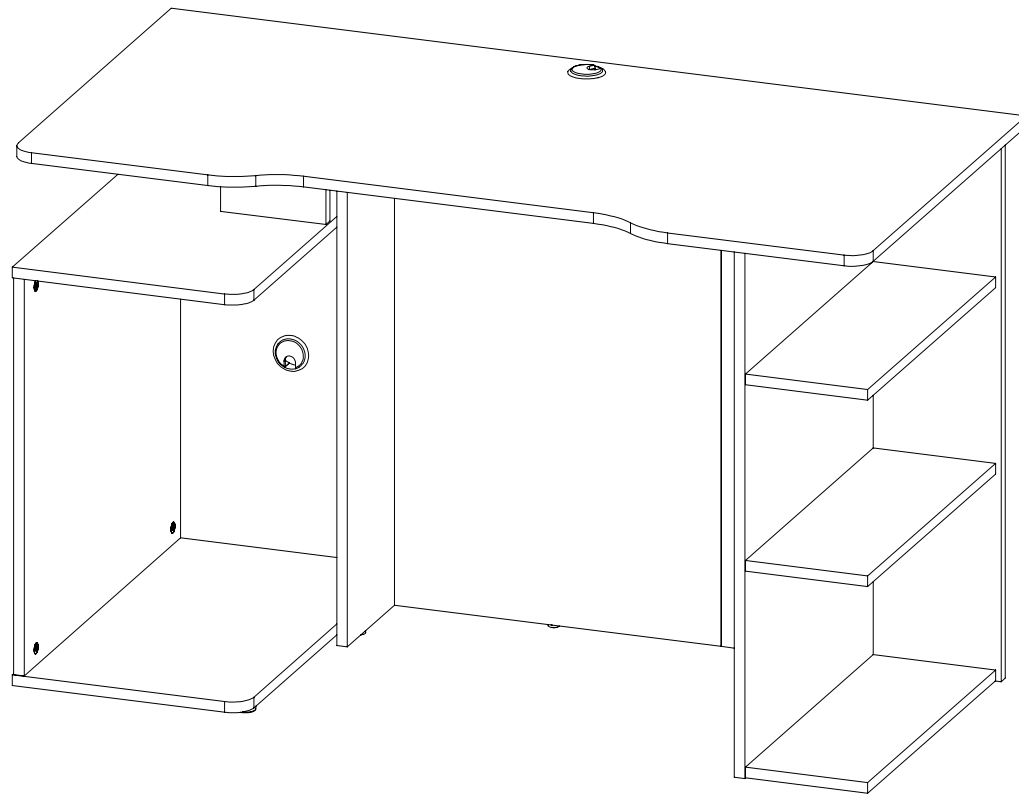
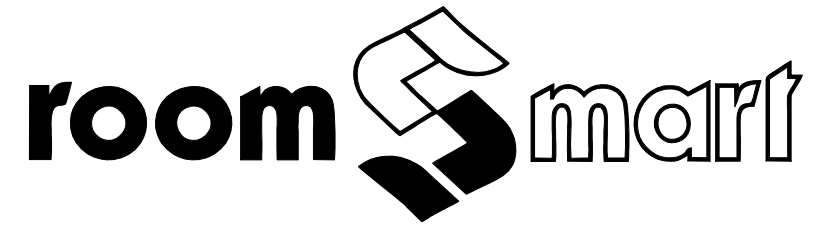
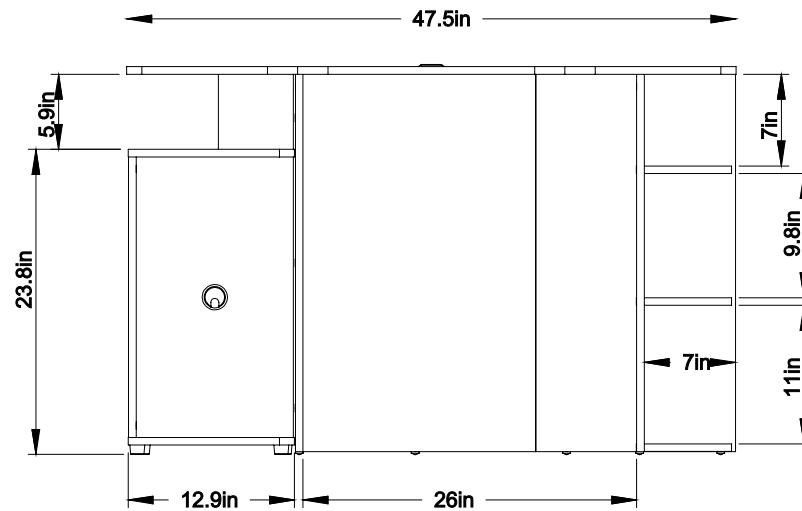
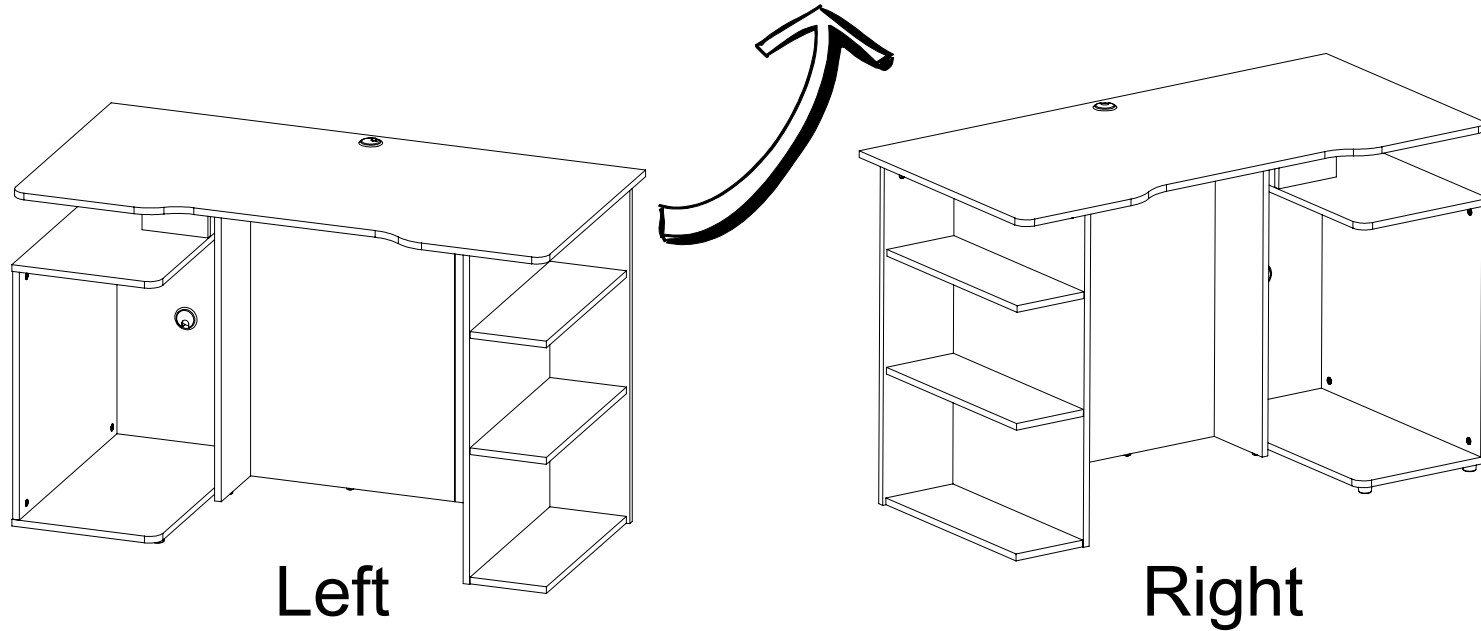


TRINITY GAMER DESK
M01774ES
Revisión:00/31/10/2022

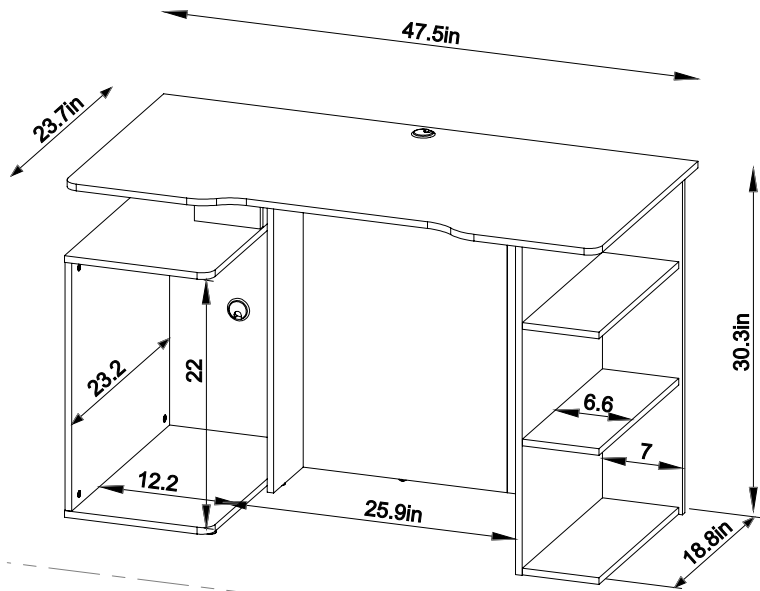


Desk with module for CPU which allows it to be placed in multiple ways.

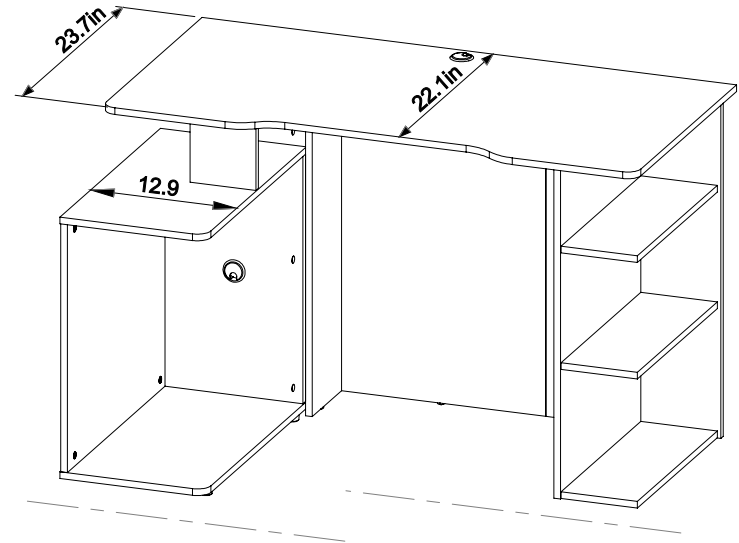


Depth: 23.7in

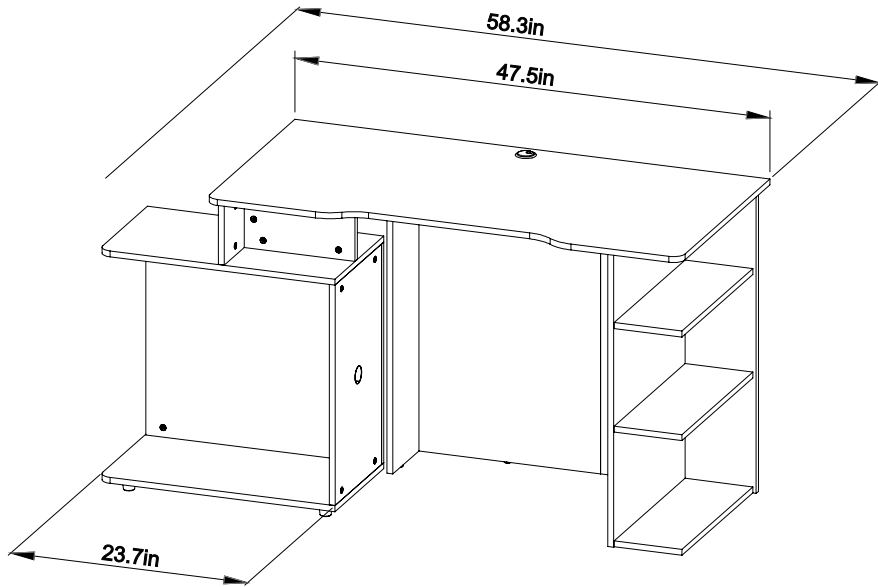




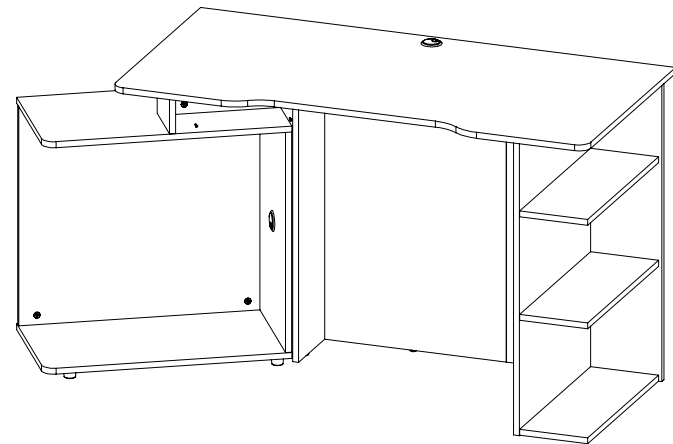
Aligned



Misaligned



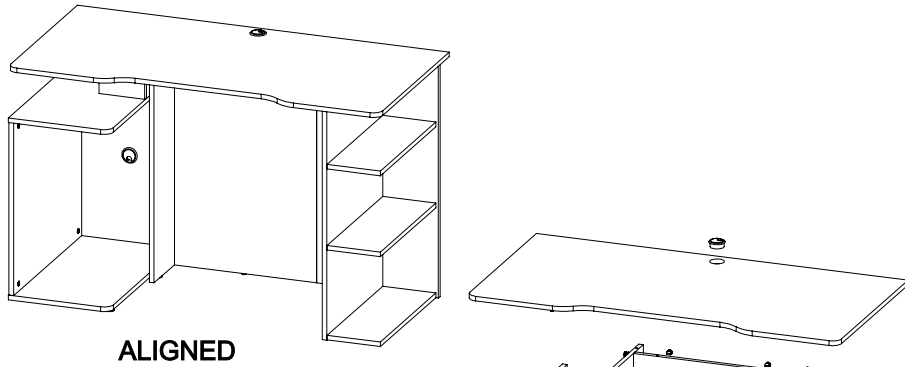
Horizontal



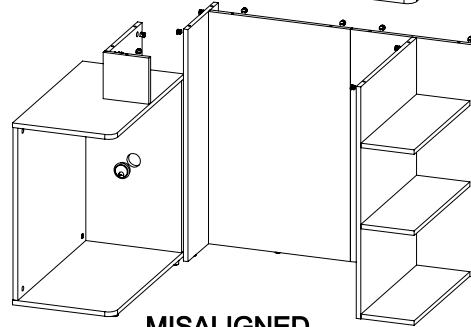
Diagonal

CONFIGURATIONS

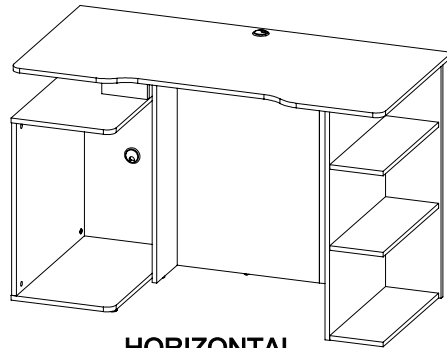
LEFT



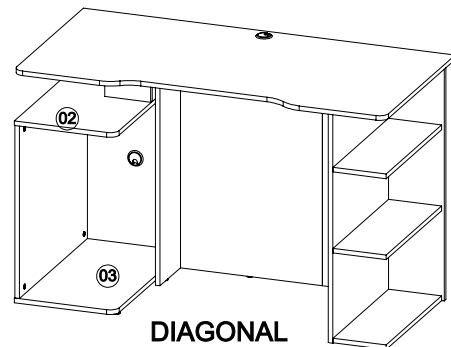
ALIGNED



MISALIGNED



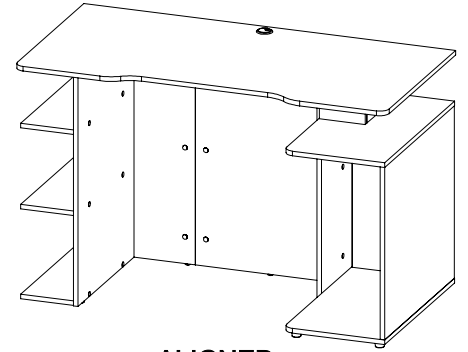
HORIZONTAL



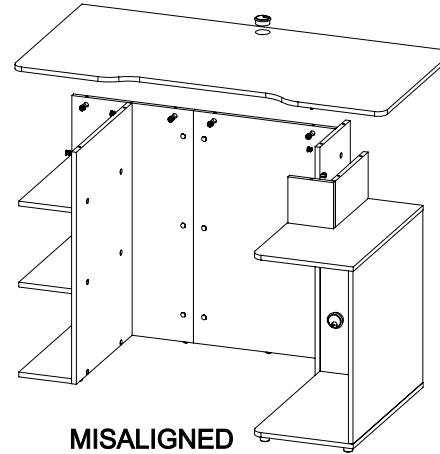
DIAGONAL

THIS STEP IS ARMED
WITH CORNERS

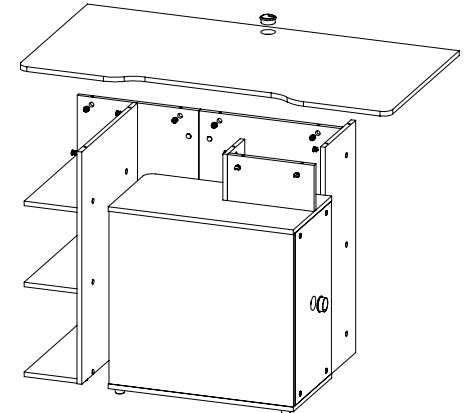
RIGHT



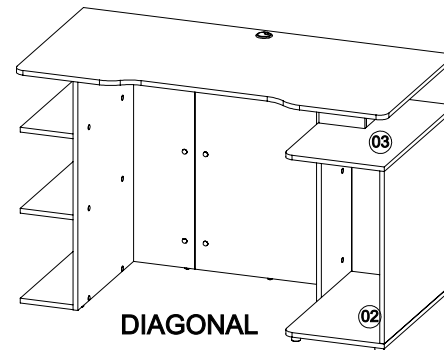
ALIGNED



MISALIGNED



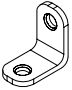

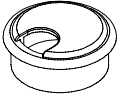
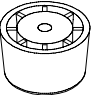
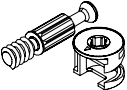
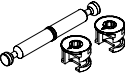

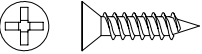
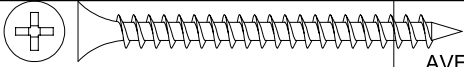


HORIZONTAL

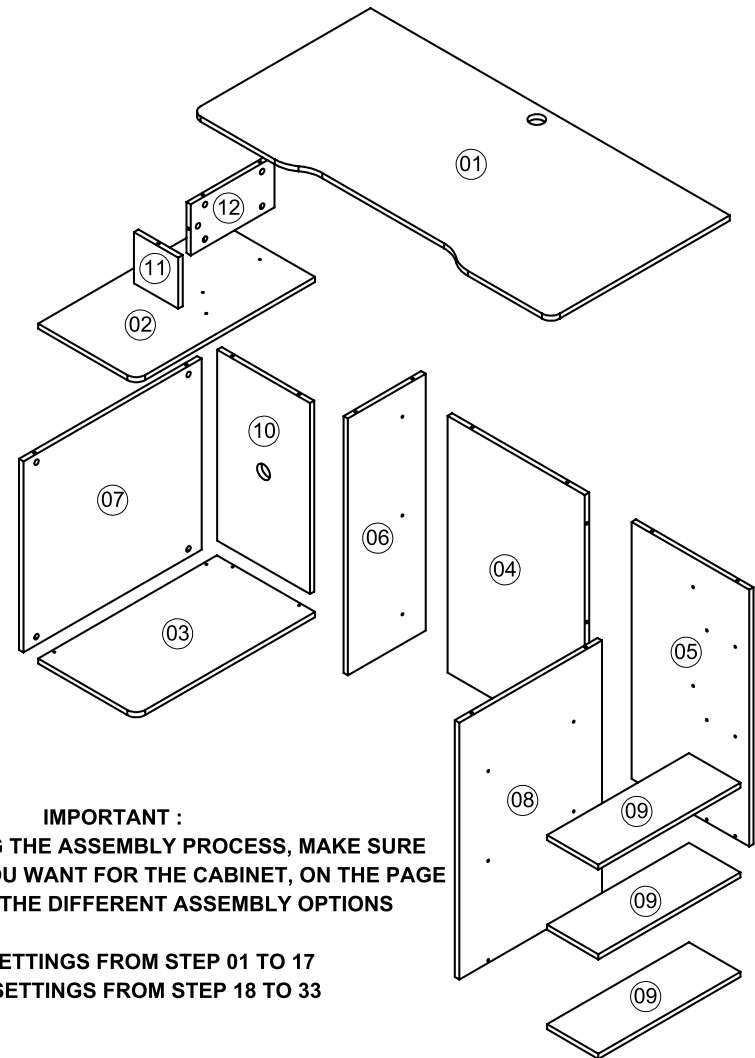


DIAGONAL

THIS STEP IS ARMED
WITH CORNERS

ACCESORIES

ILLUSTRATION	NAME	CANT. Q-TY	PART NUMBER
	CND1912 STEEL CORNER	3	0004637
	LACE SLIPPER	5	BL 007391
	43*15 MM DESK GROMMET	2	BL 007426
	30*20 LEG	4	BL 0004678
	MINIFIX 15MM CONNECTOR BOLT	23	0002715
	MINIFIX 15MM CONNECTOR BOLT DOUBLE	3	012378
	ADHESIVE SCREW COVER	24	WE 012557
	6 x 5/8 AVE PHI ZINC SCREW	6	0004705
	6x2 AVE PHI SCREW	18	0000152
	8X5/8 PAN PHI SCREW	4	0004679
	ADHESIVE SCREW COVER	23	0002299

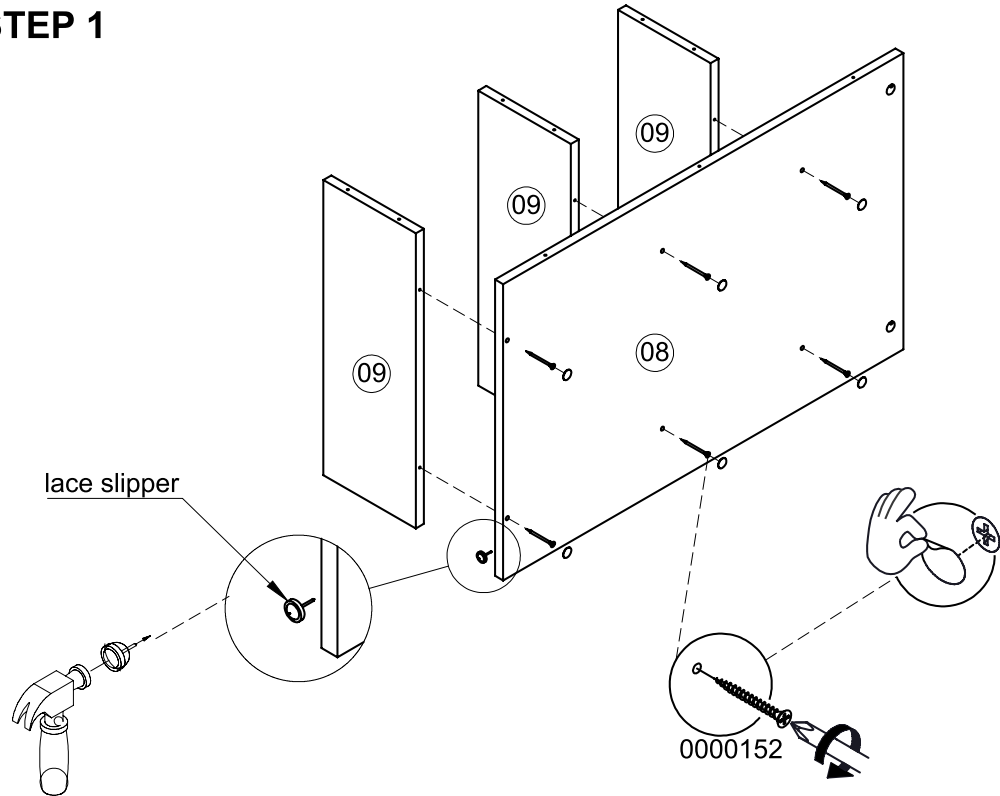


IMPORTANT :
BEFORE STARTING THE ASSEMBLY PROCESS, MAKE SURE OF THE POSITION YOU WANT FOR THE CABINET, ON THE PAGE PREVIOUS ARE THE DIFFERENT ASSEMBLY OPTIONS

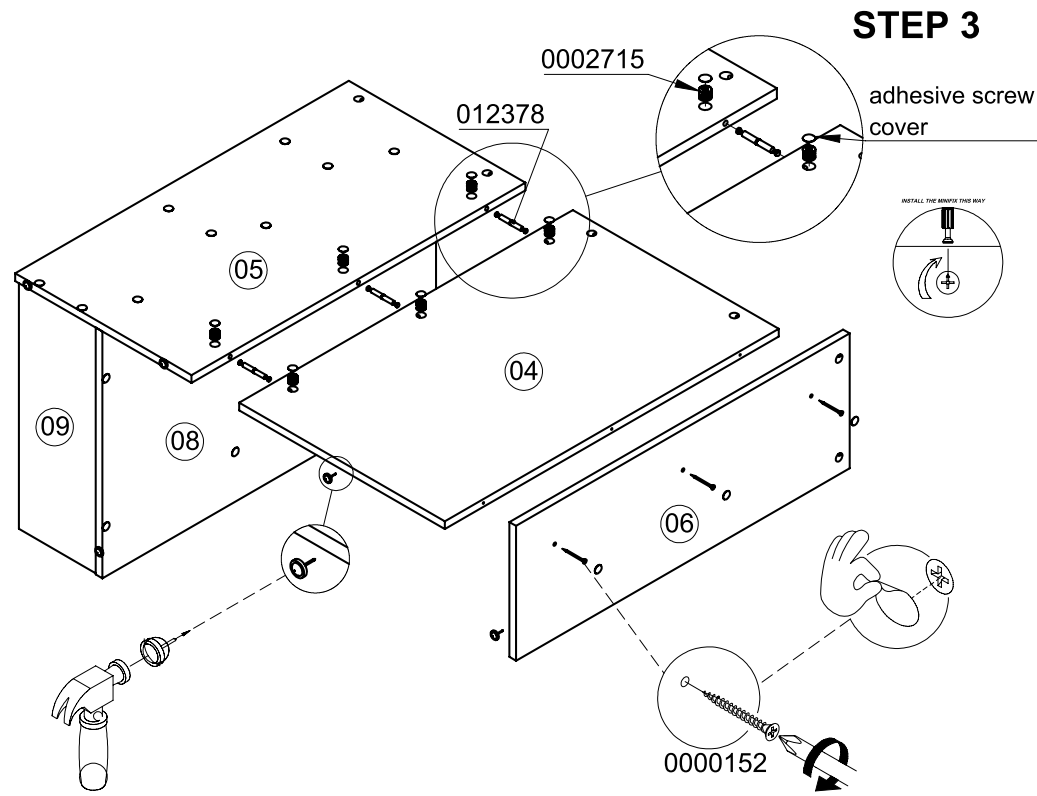
- * LEFT SETTINGS FROM STEP 01 TO 17
- * RIGHT SETTINGS FROM STEP 18 TO 33

The information and characteristics of accessories that appear in this ASSEMBLY MANUAL may be subject to change depending on their effective availability and may vary according to the marketed version. MADERKIT S.A. reserves the right to make changes at any time and without prior notice. This information is based on the latest update provided by the manufacturer, and the definitive characteristics of the furniture will be those known and accepted by the buyer. Valid until a new factory update. The parts and/or accessories that must be replaced for warranty purposes will be made by the equivalent version available at the time of the item to be replaced.

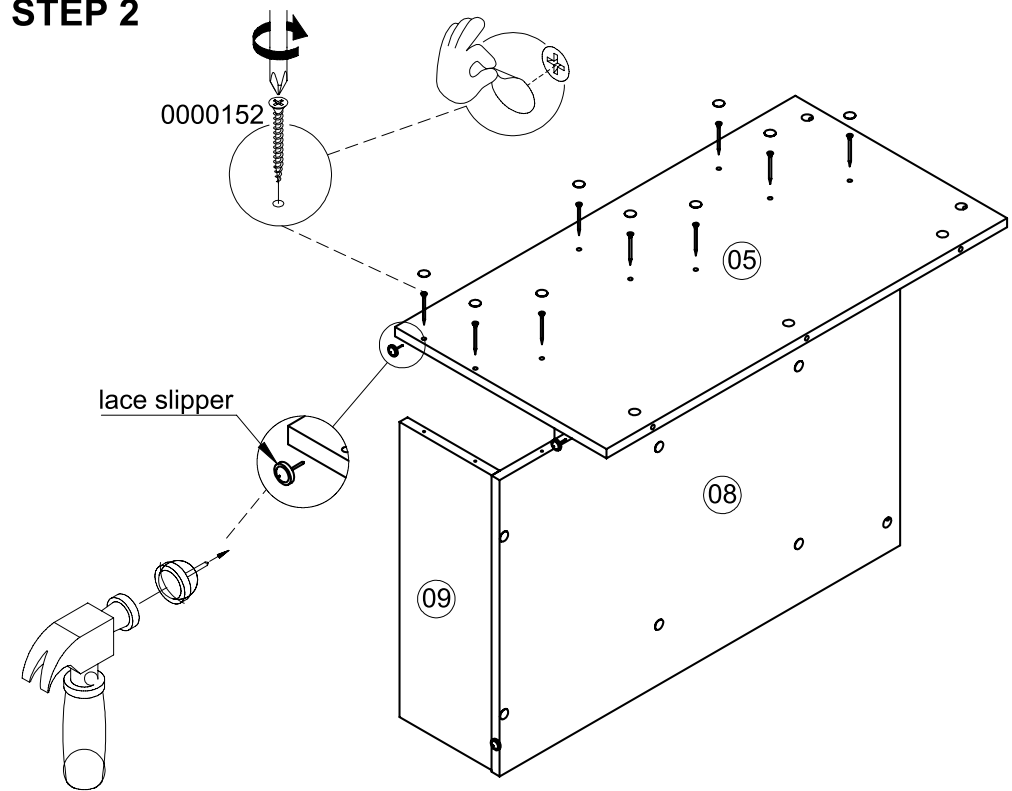
STEP 1



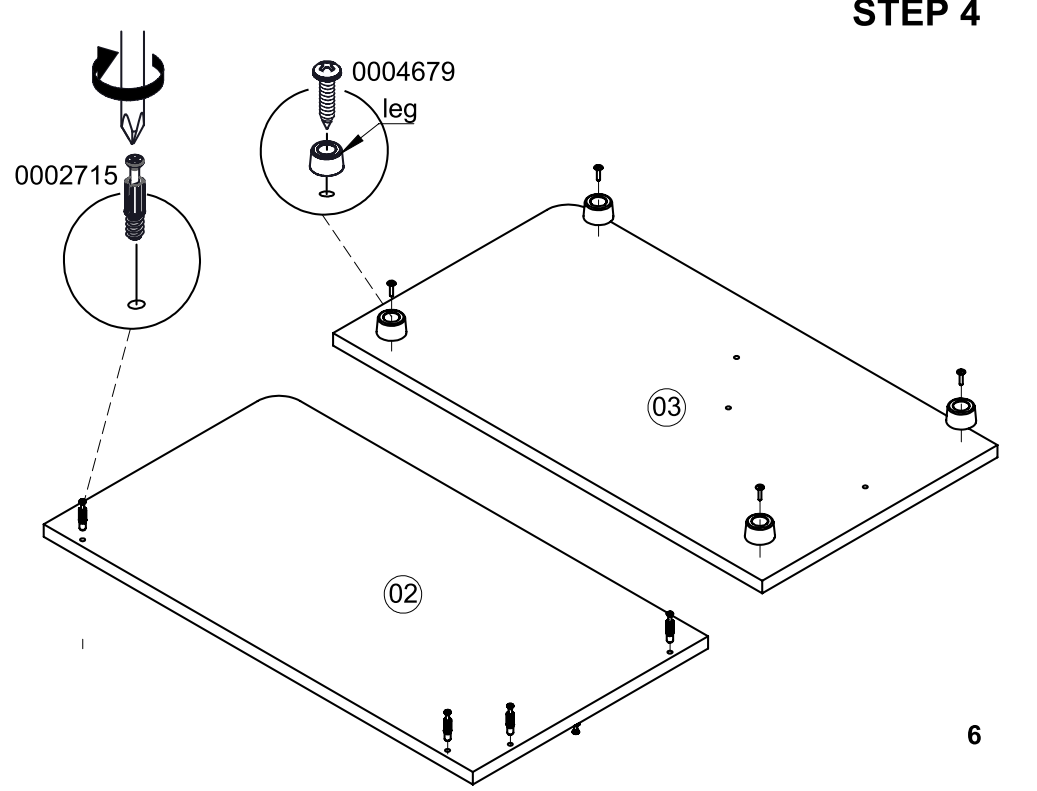
STEP 3



STEP 2

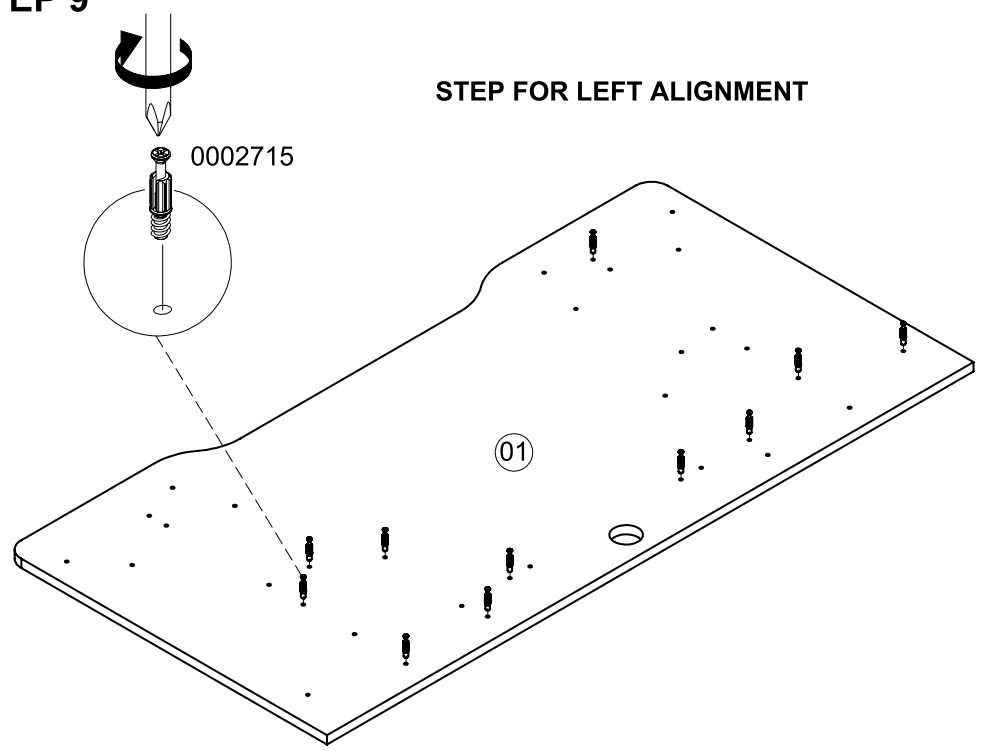


STEP 4



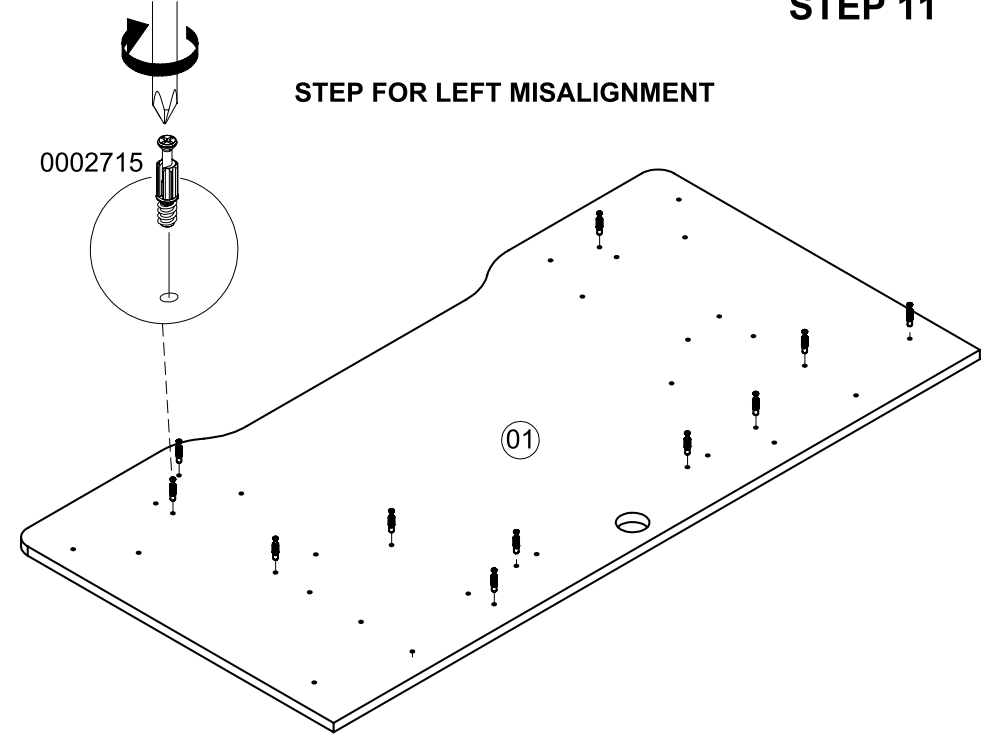
STEP 9

STEP FOR LEFT ALIGNMENT



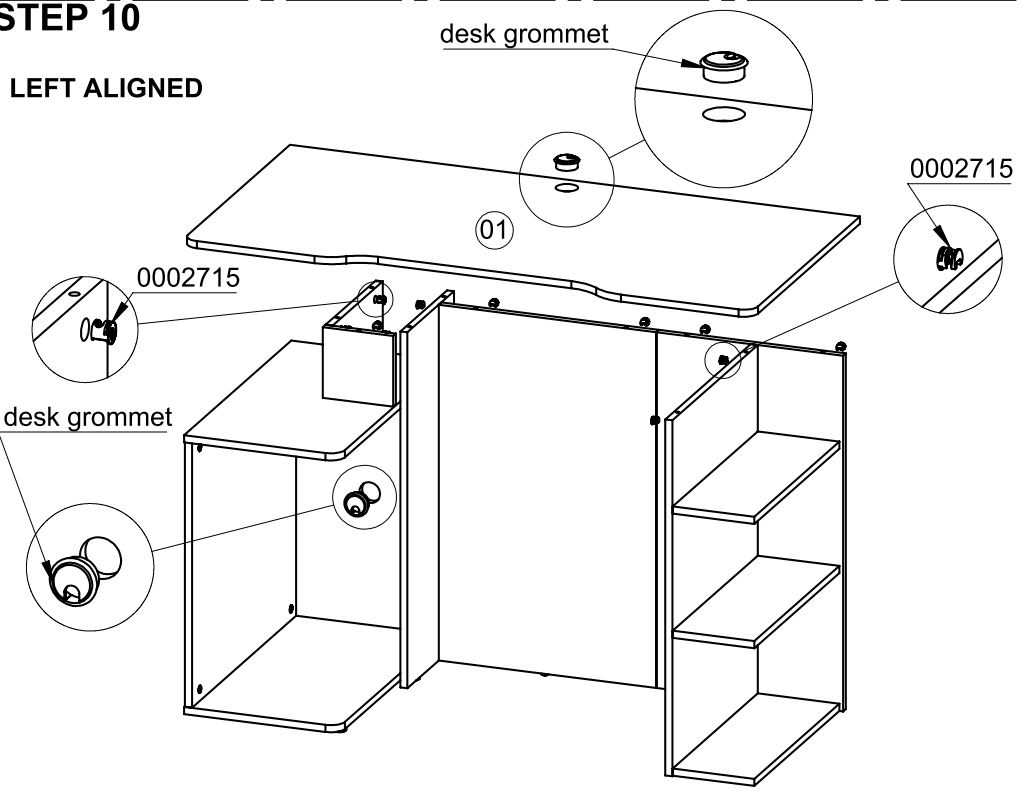
STEP 11

STEP FOR LEFT MISALIGNMENT



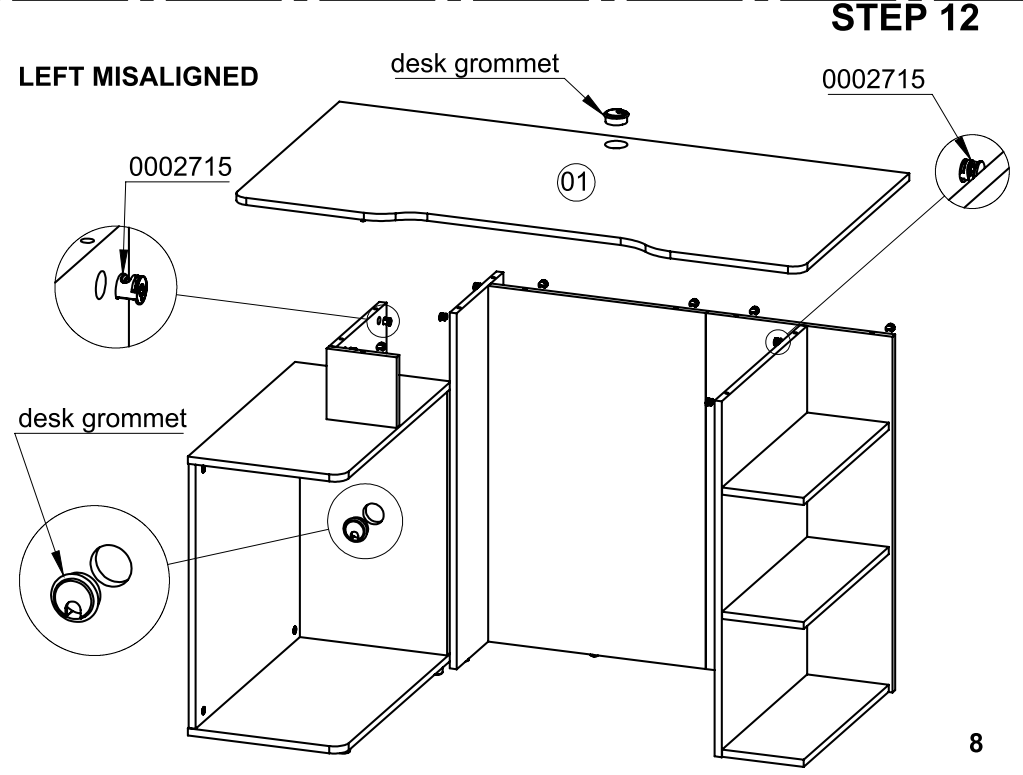
STEP 10

LEFT ALIGNED



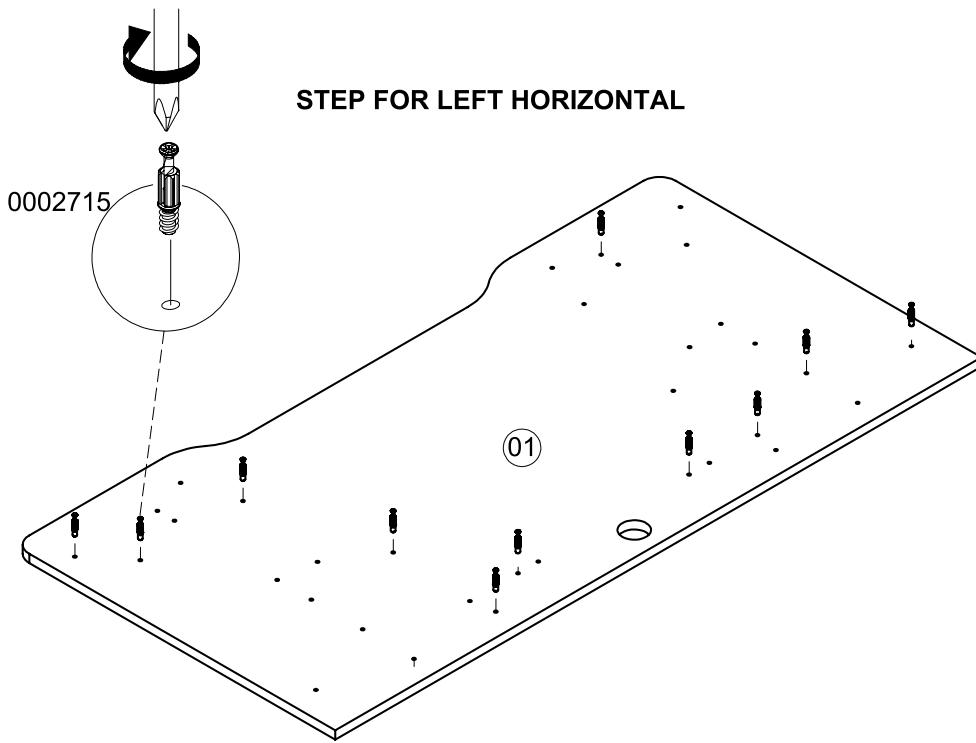
STEP 12

LEFT MISALIGNED



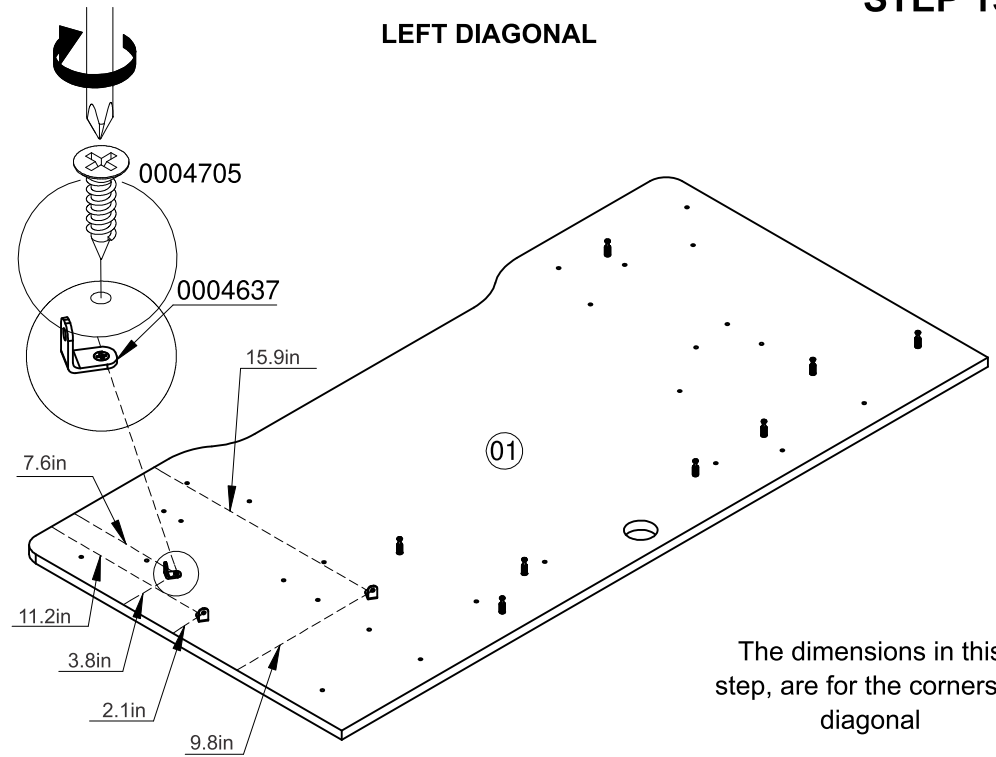
STEP 13

STEP FOR LEFT HORIZONTAL



STEP 15

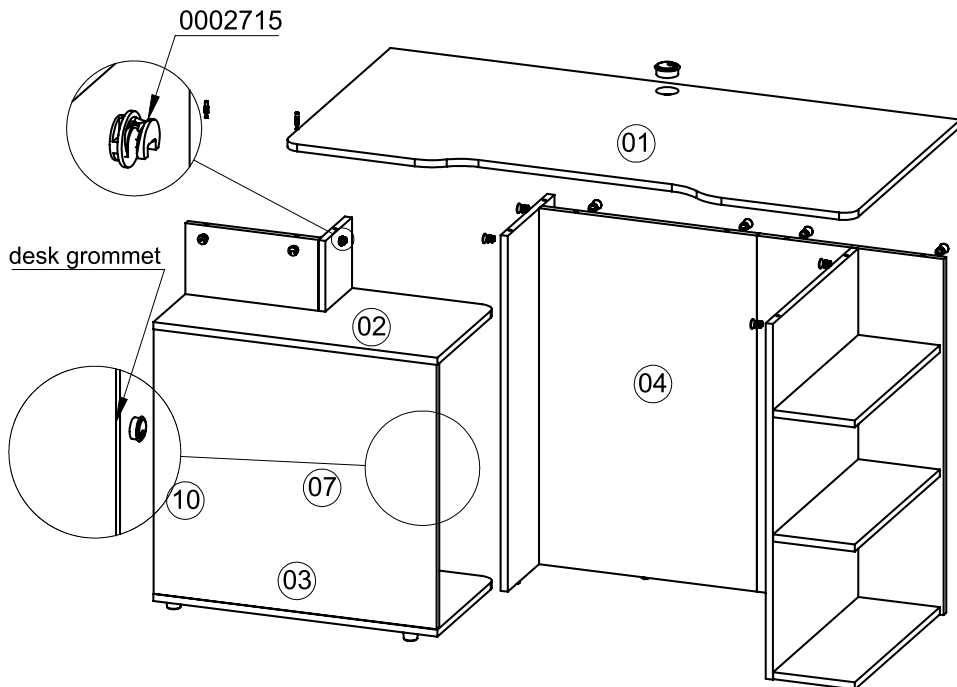
LEFT DIAGONAL



The dimensions in this step, are for the corners in diagonal

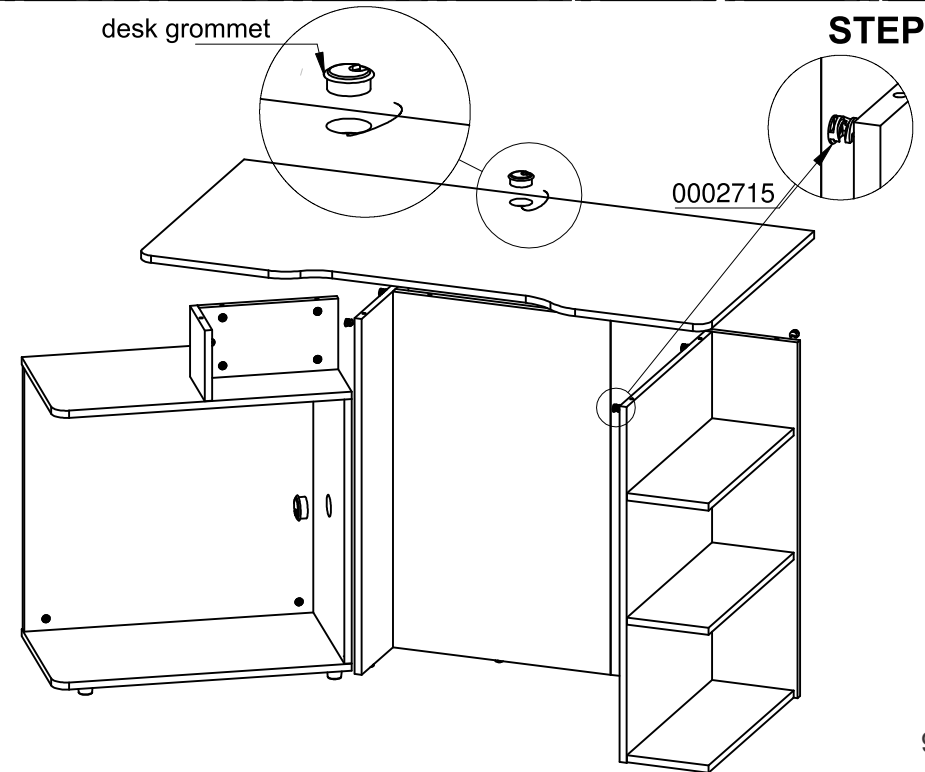
STEP 14

LEFT HORIZONTAL

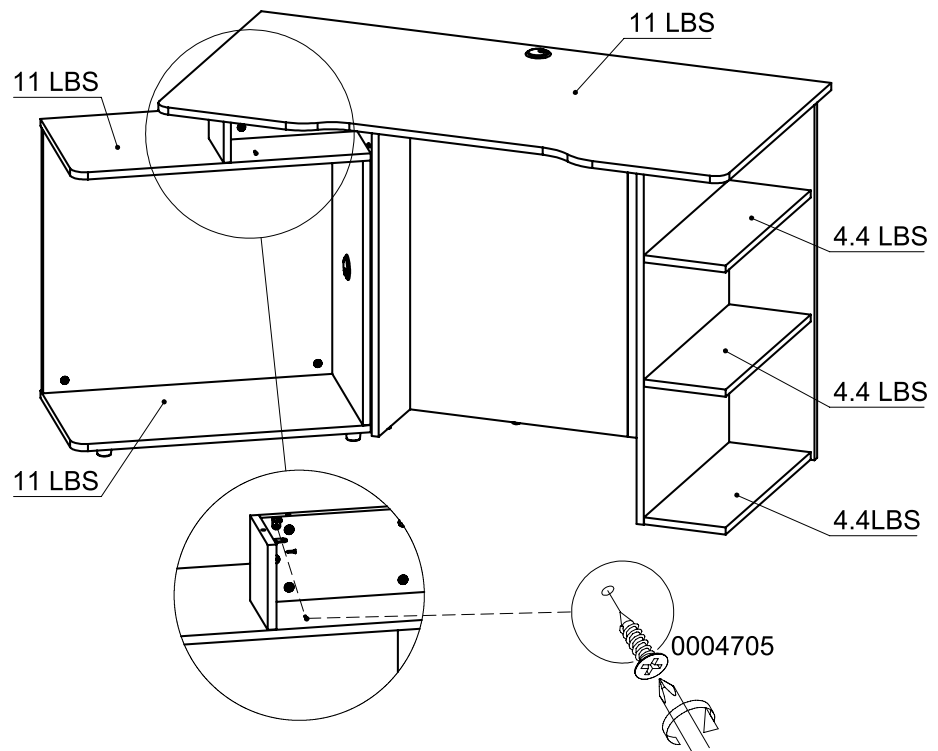


STEP 16

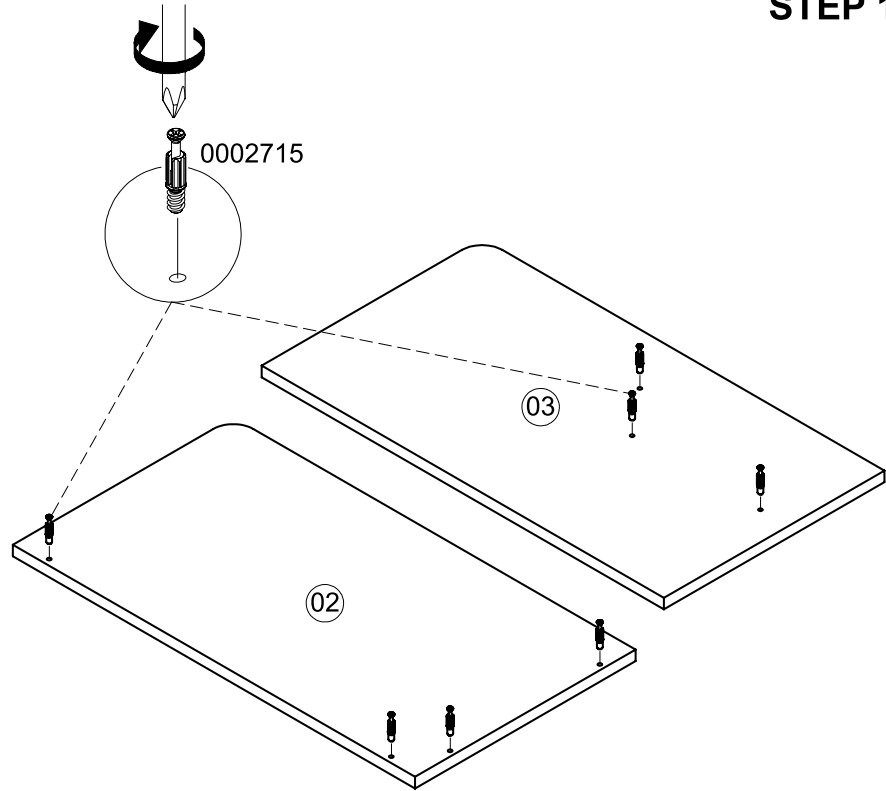
desk grommet



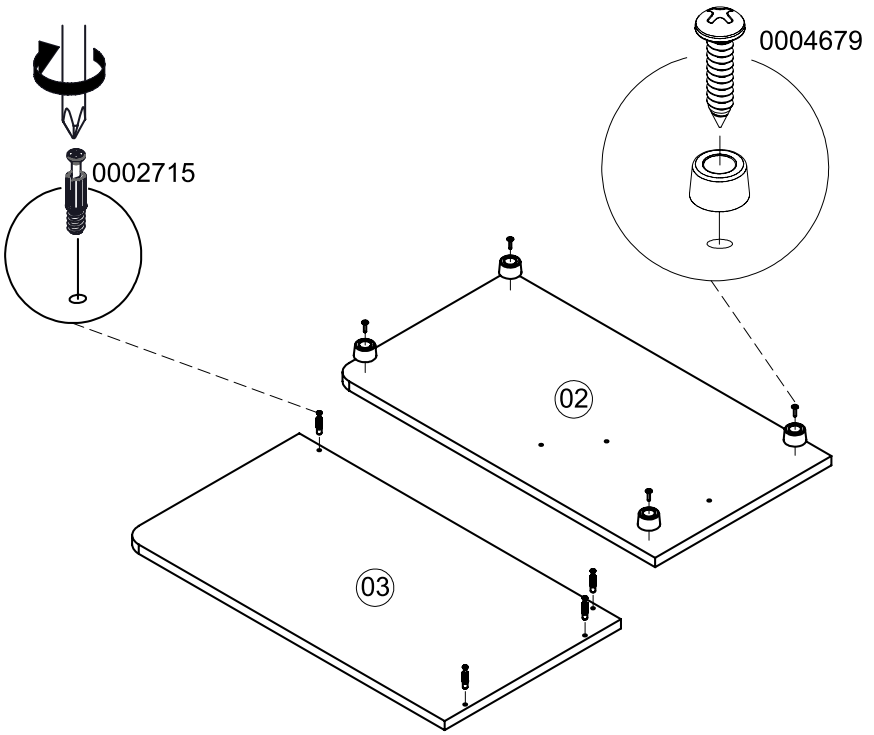
STEP 17



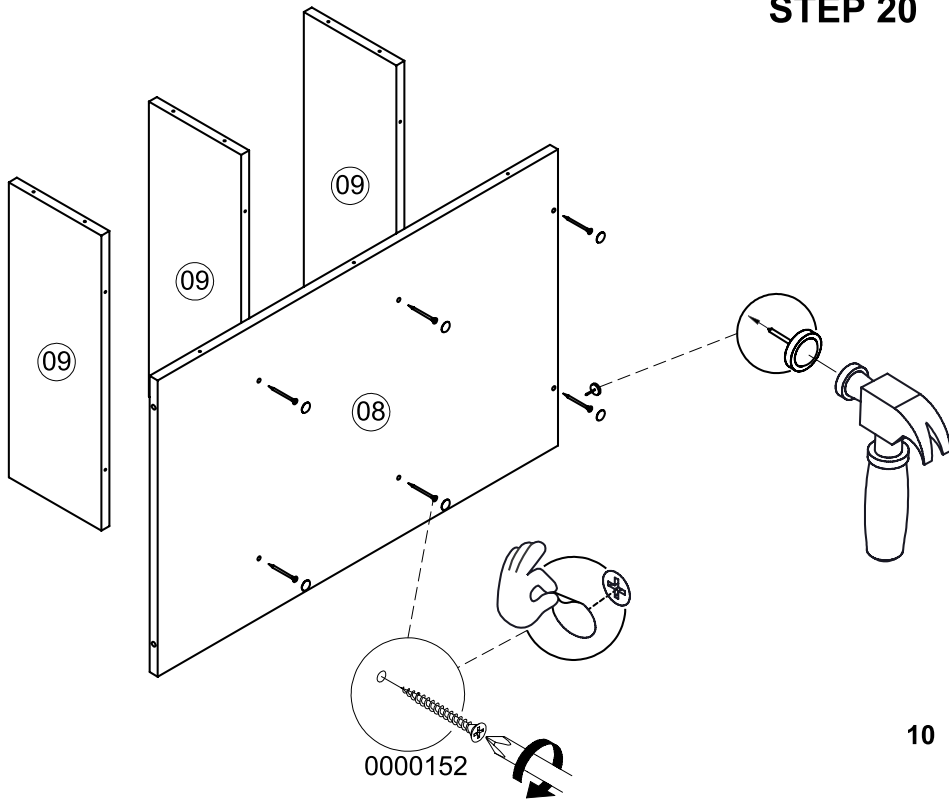
STEP 19



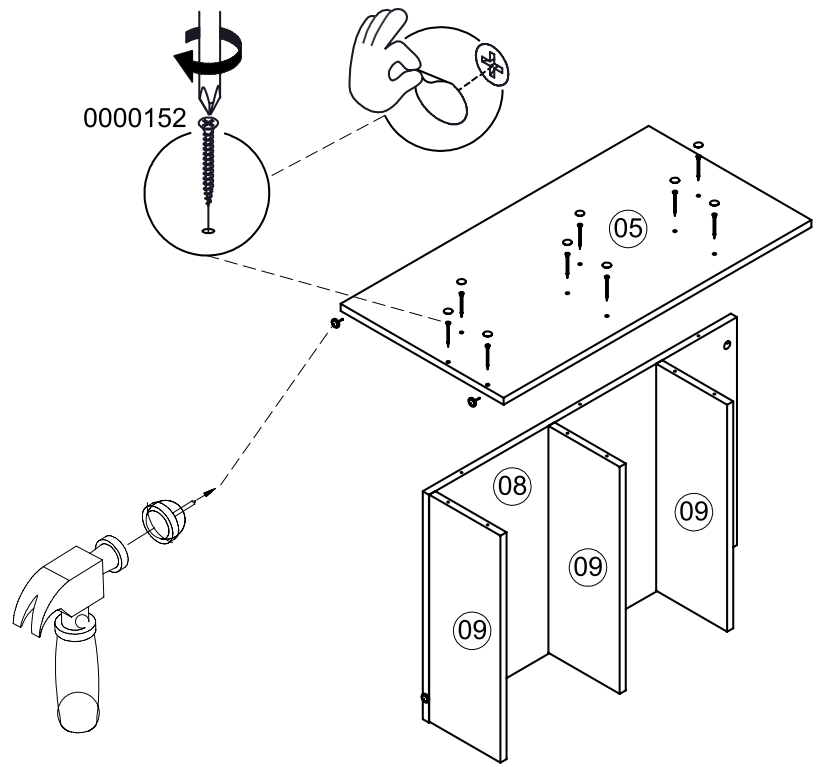
STEP 18



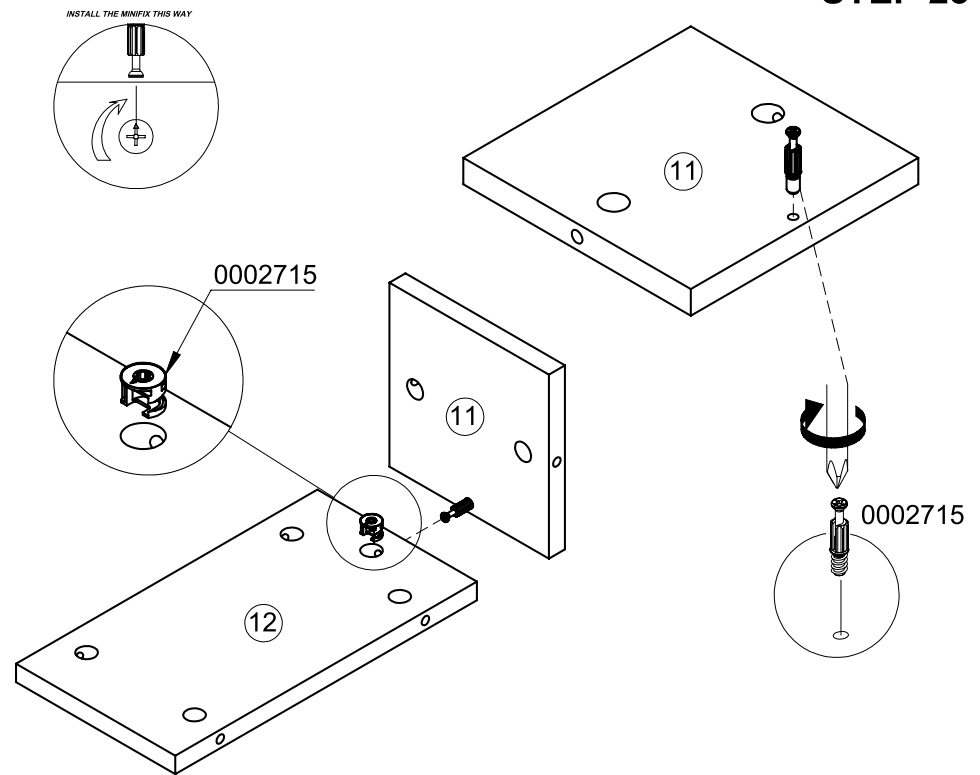
STEP 20



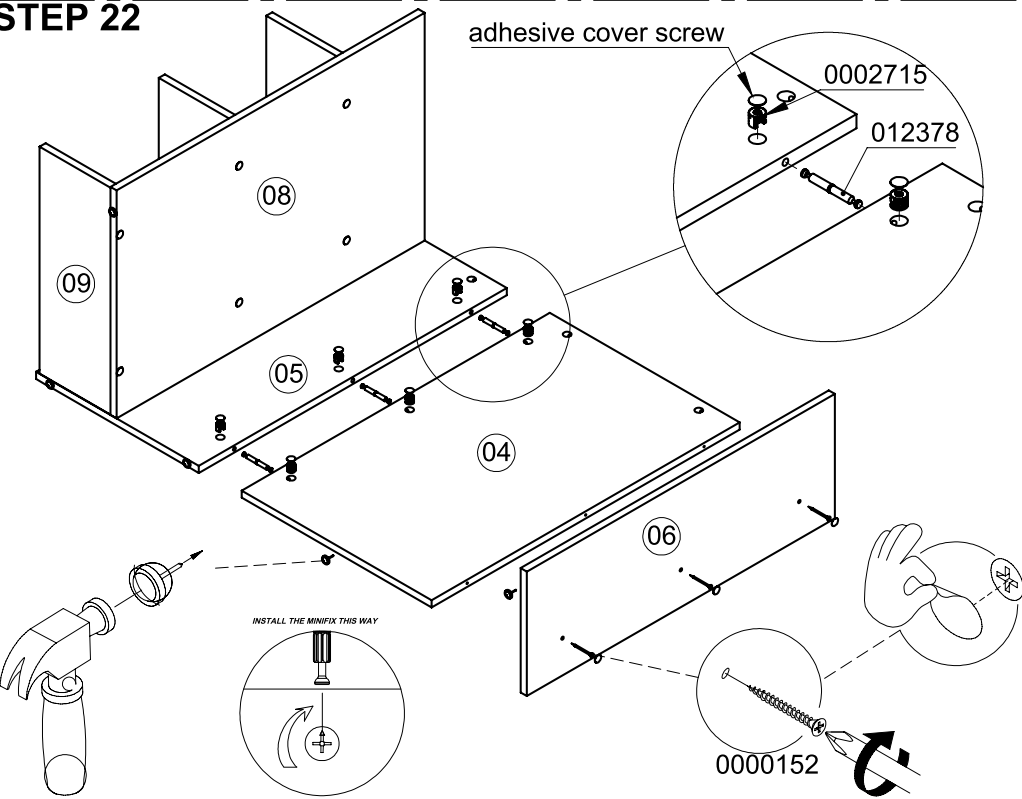
STEP 21



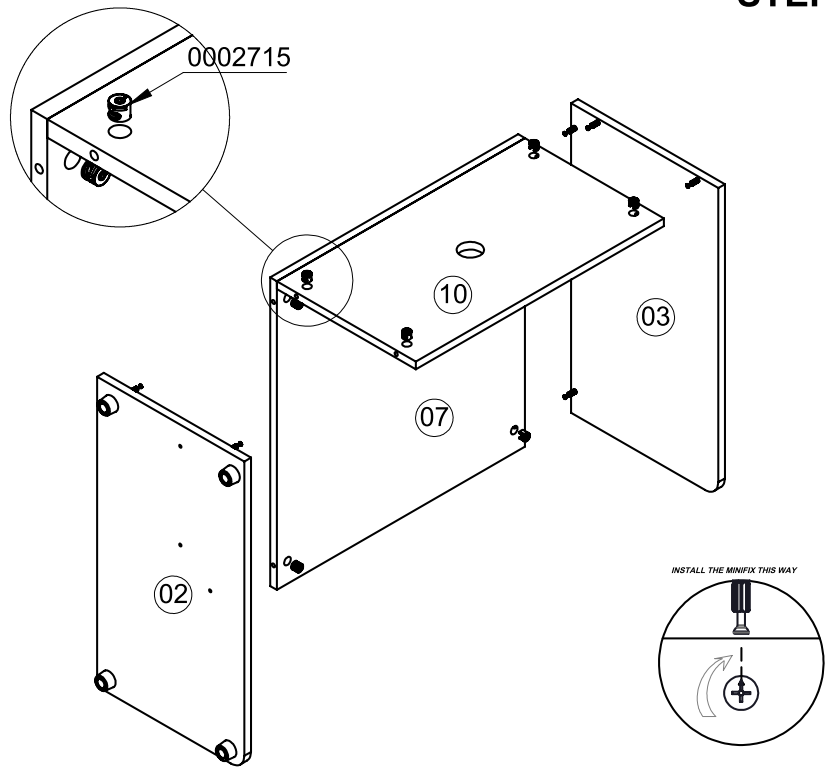
STEP 23



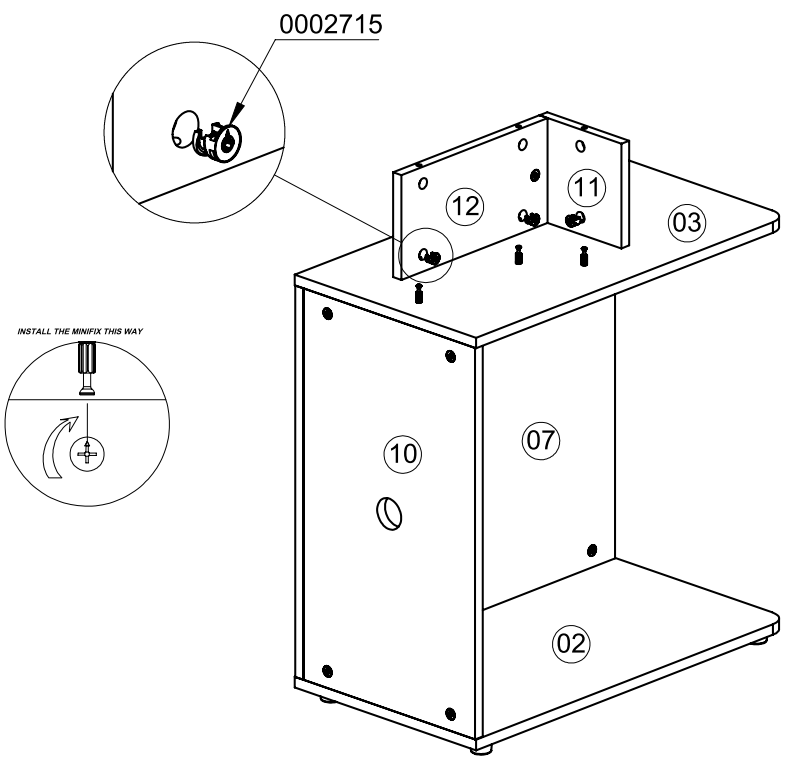
STEP 22



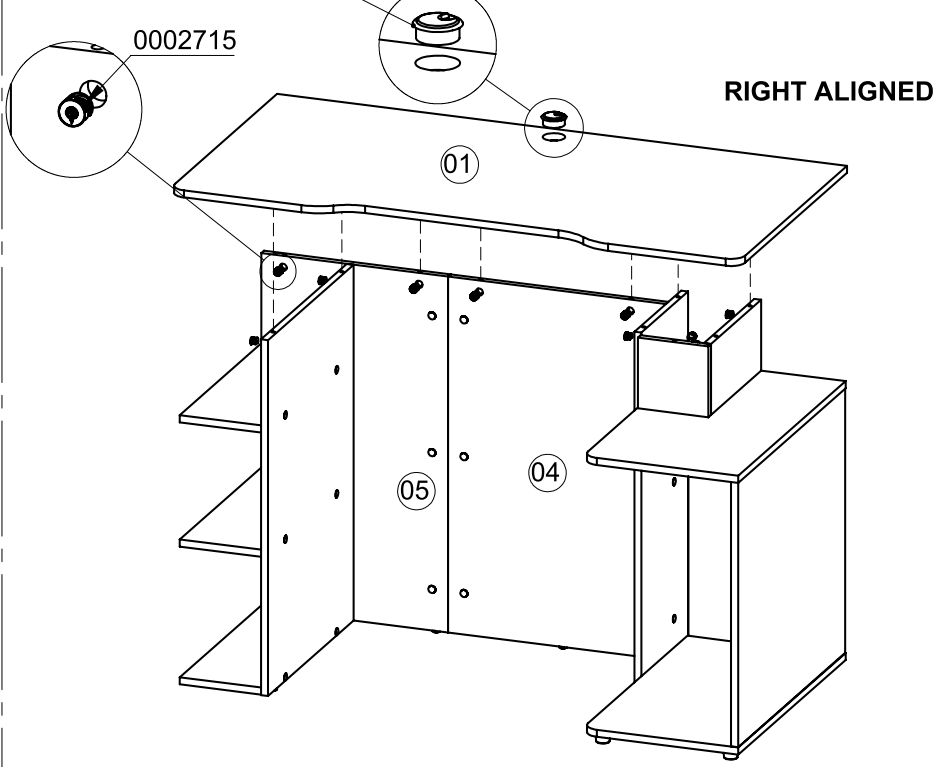
STEP 24



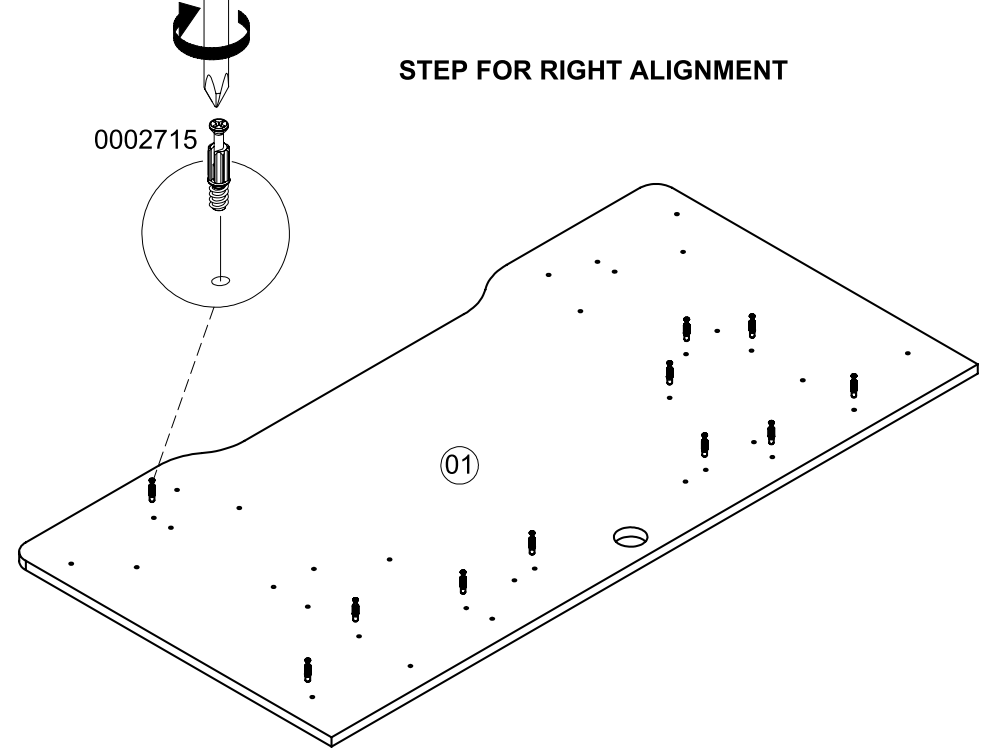
STEP 25



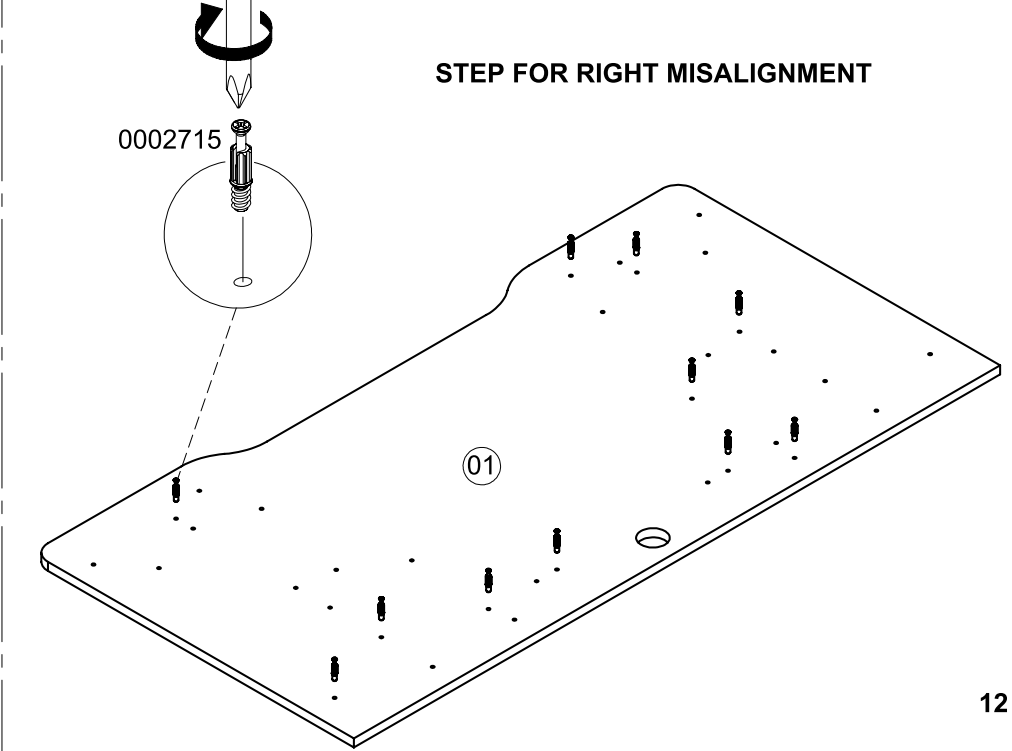
STEP 27



STEP 26

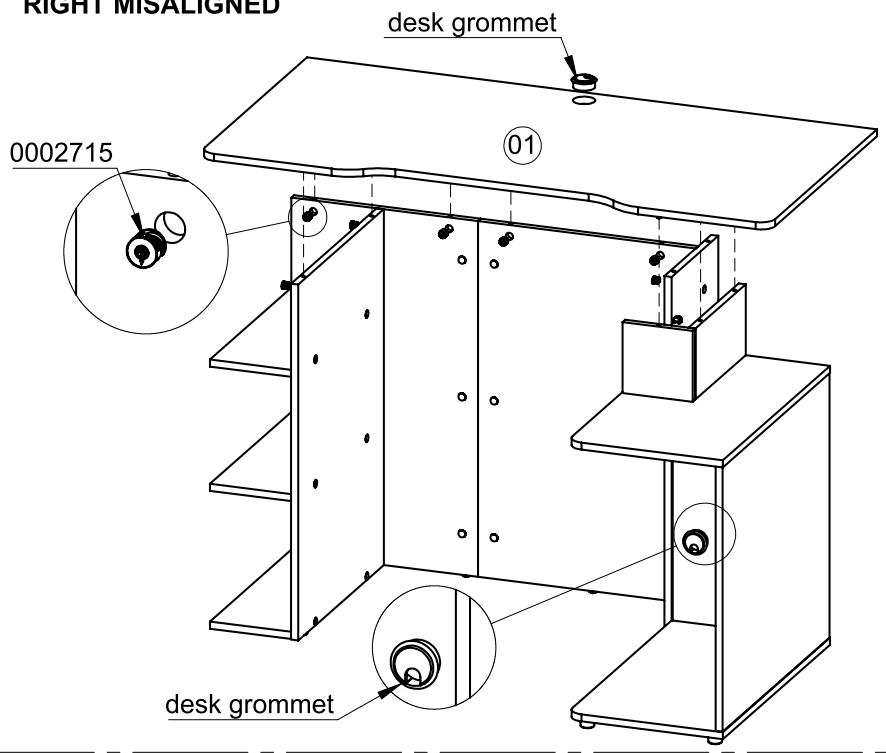


STEP 28

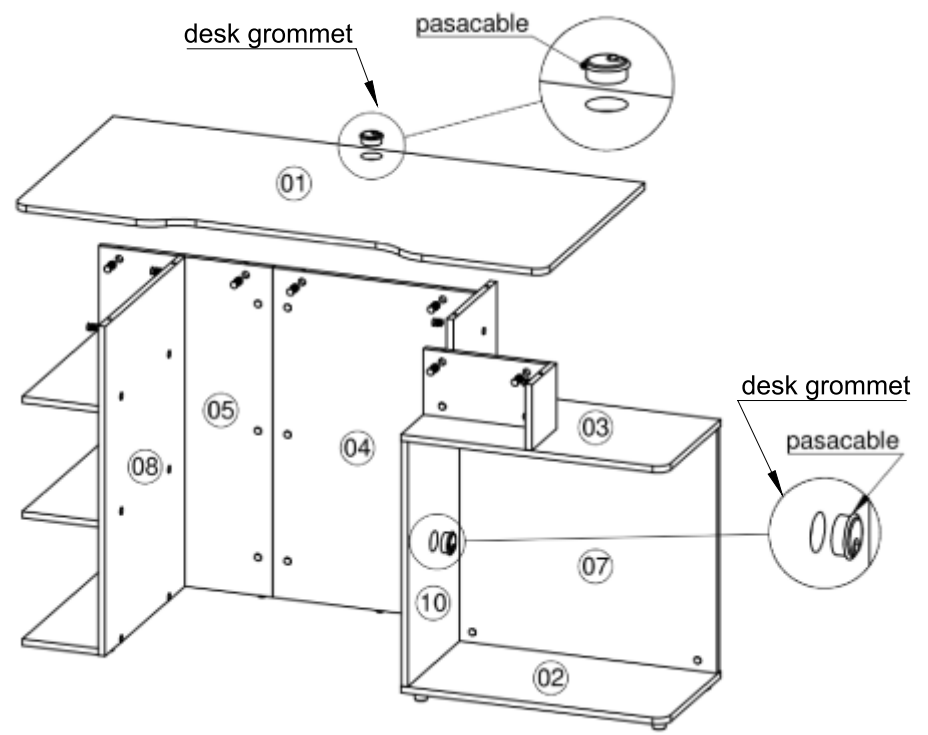


STEP 29

RIGHT MISALIGNED

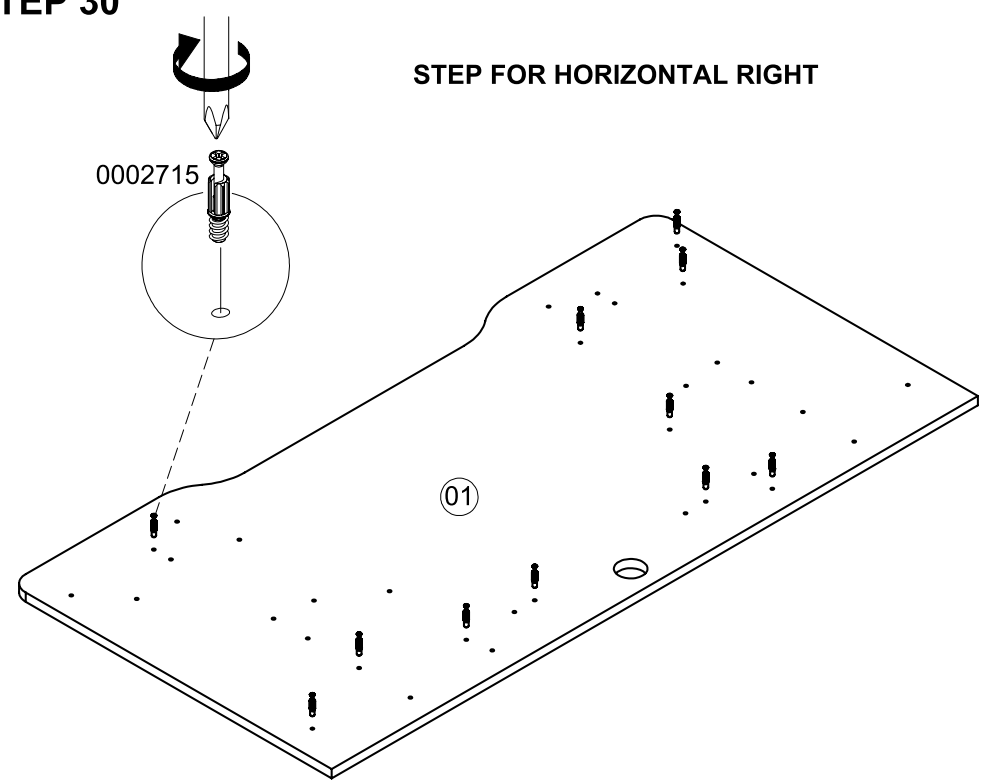


STEP 31



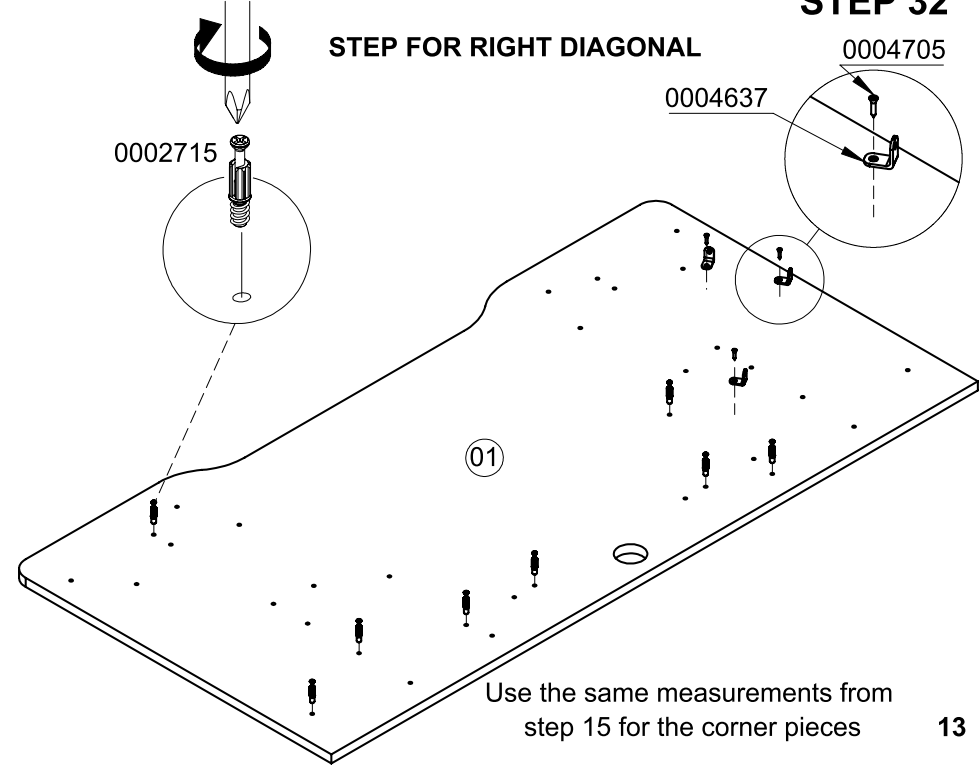
STEP 30

STEP FOR HORIZONTAL RIGHT



STEP 32

STEP FOR RIGHT DIAGONAL



Use the same measurements from step 15 for the corner pieces

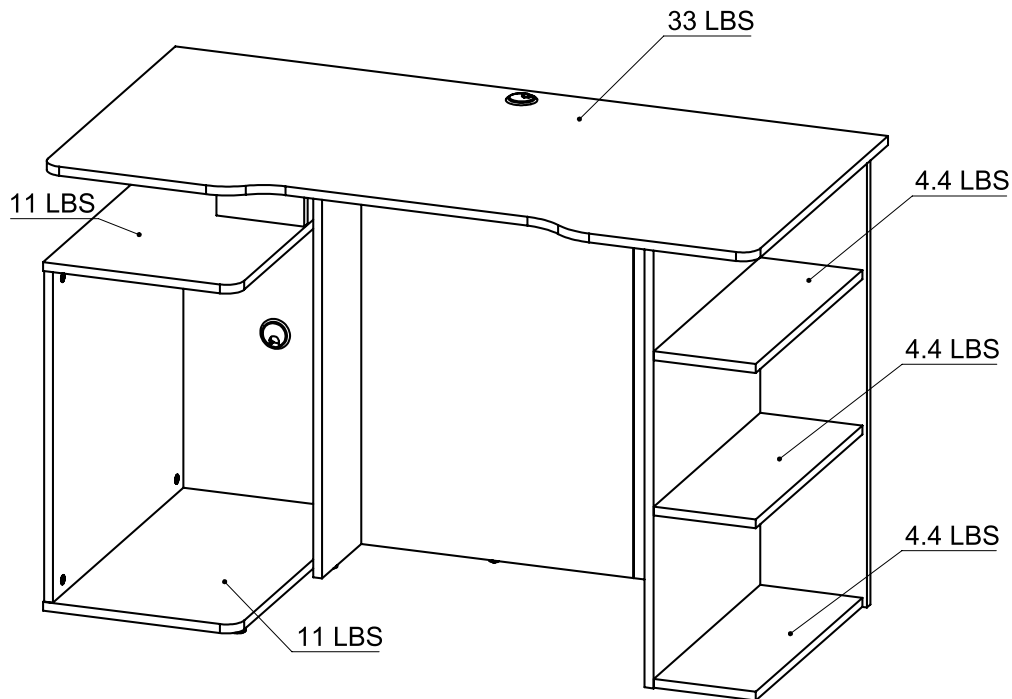
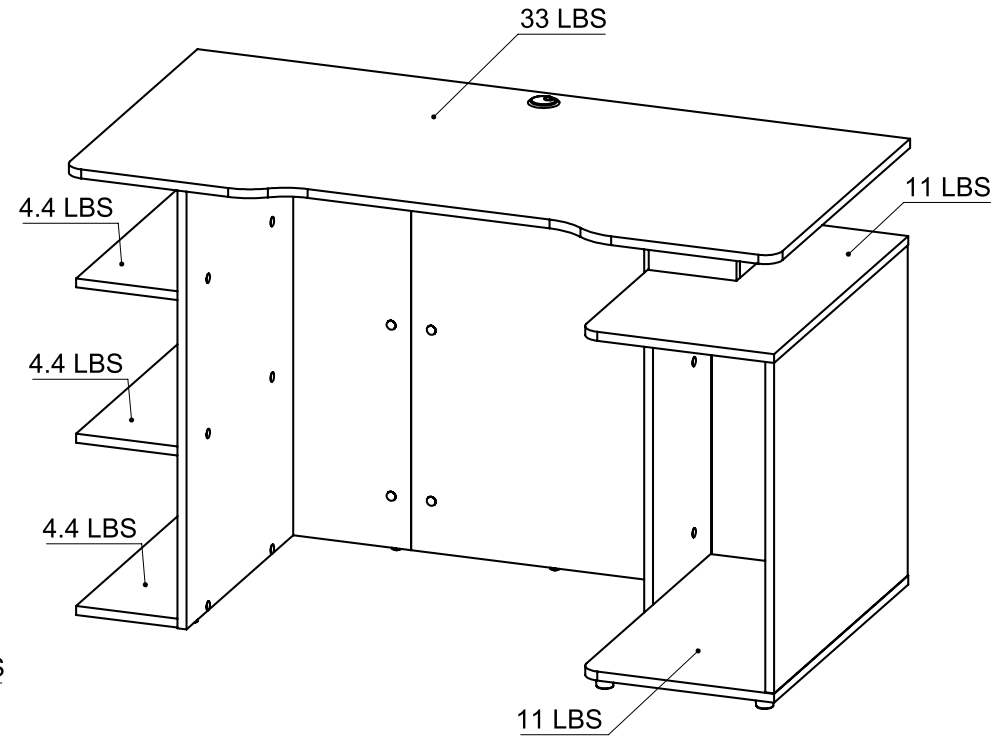
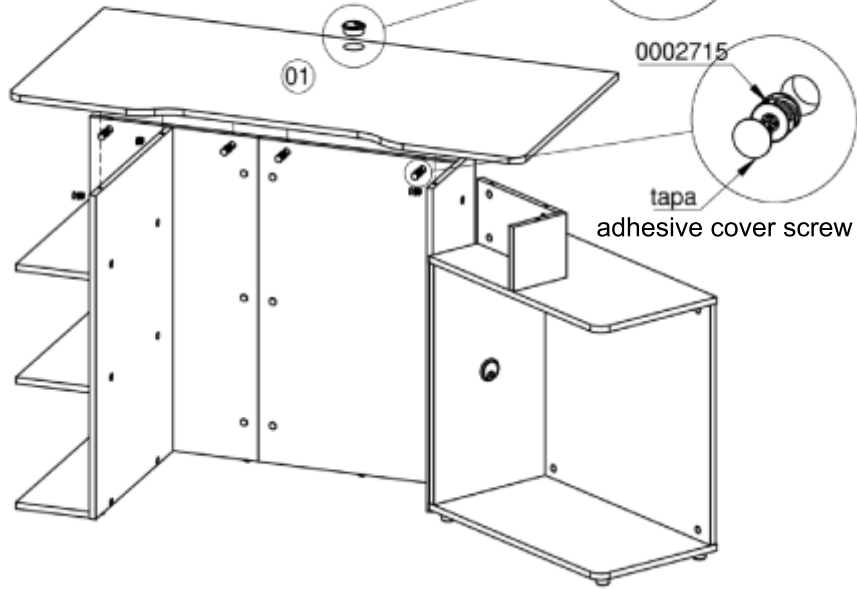
STEP 33

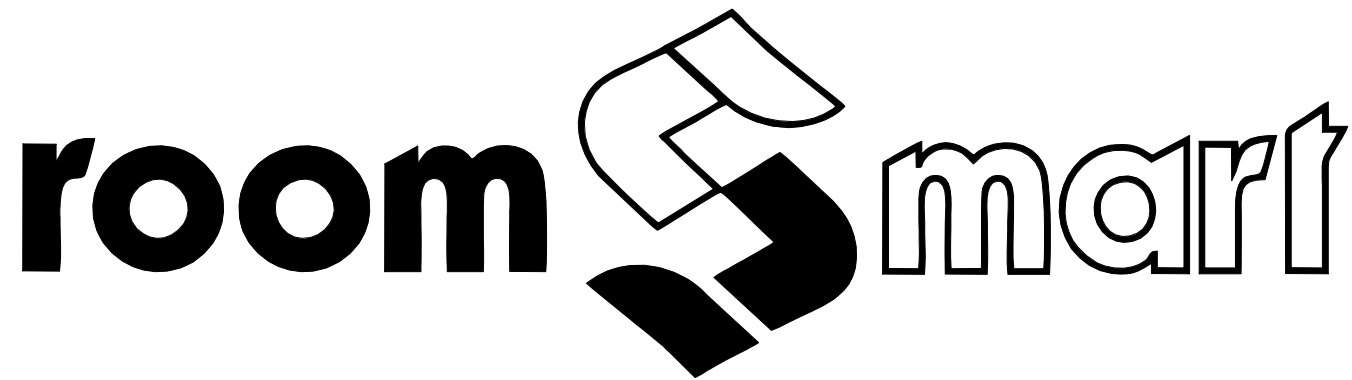
RIGHT DIAGONAL
DIAGONAL DERECHO

pasacable
desk grommet

0002715

tapa
adhesive cover screw





THANK YOU
ASSEMBLY MANUAL
DOWNLOAD FROM:
ROOMSMART.COM
FURNITURE4LESS.STORE