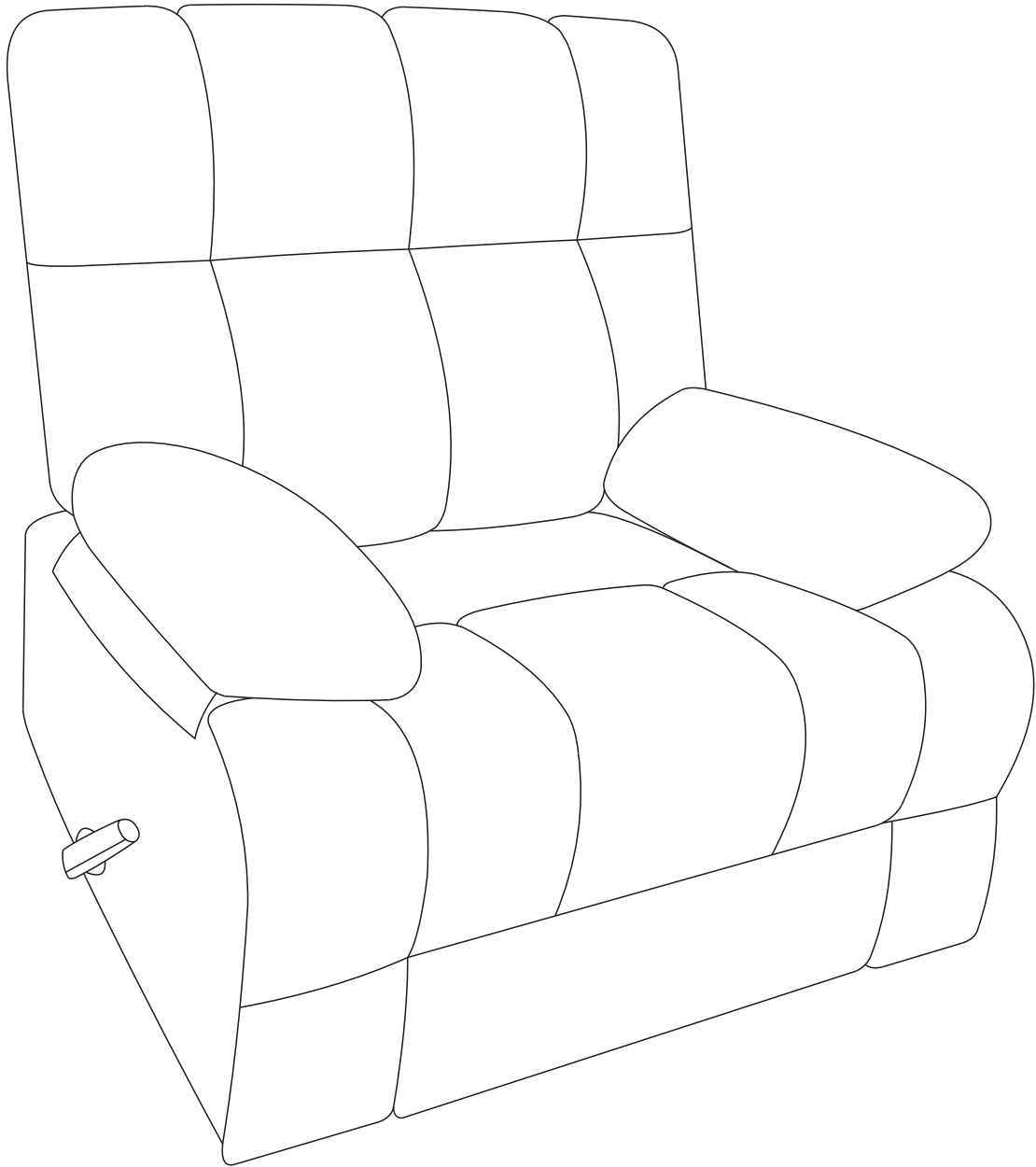
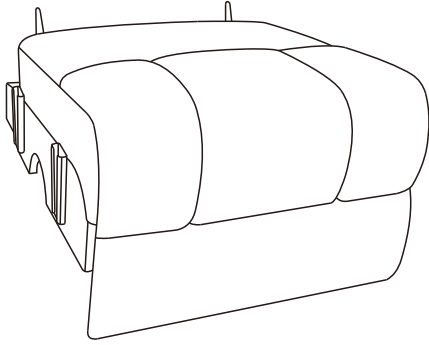
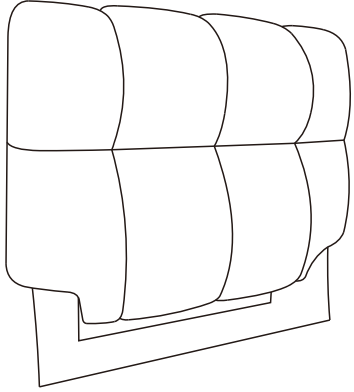
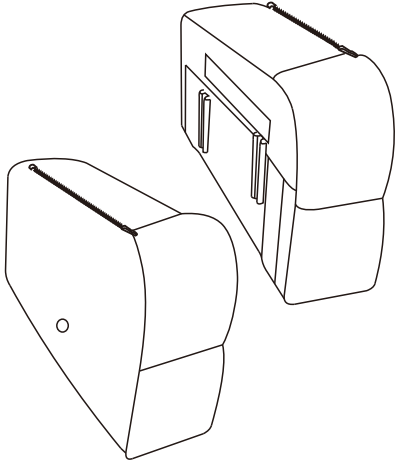
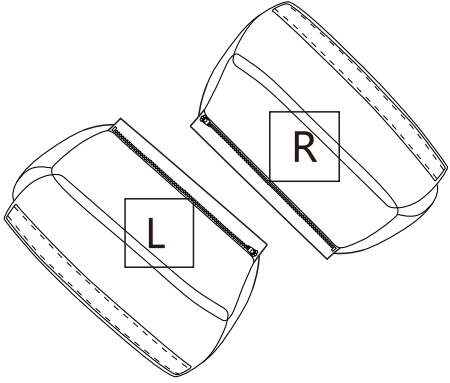
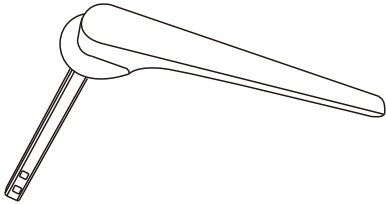
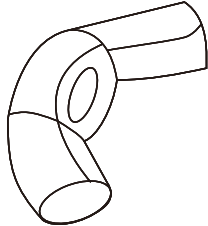
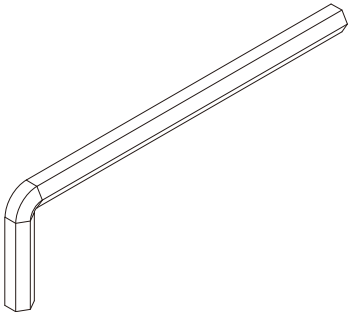
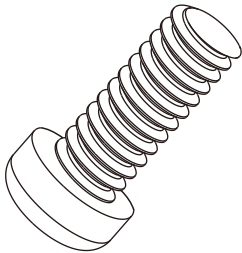


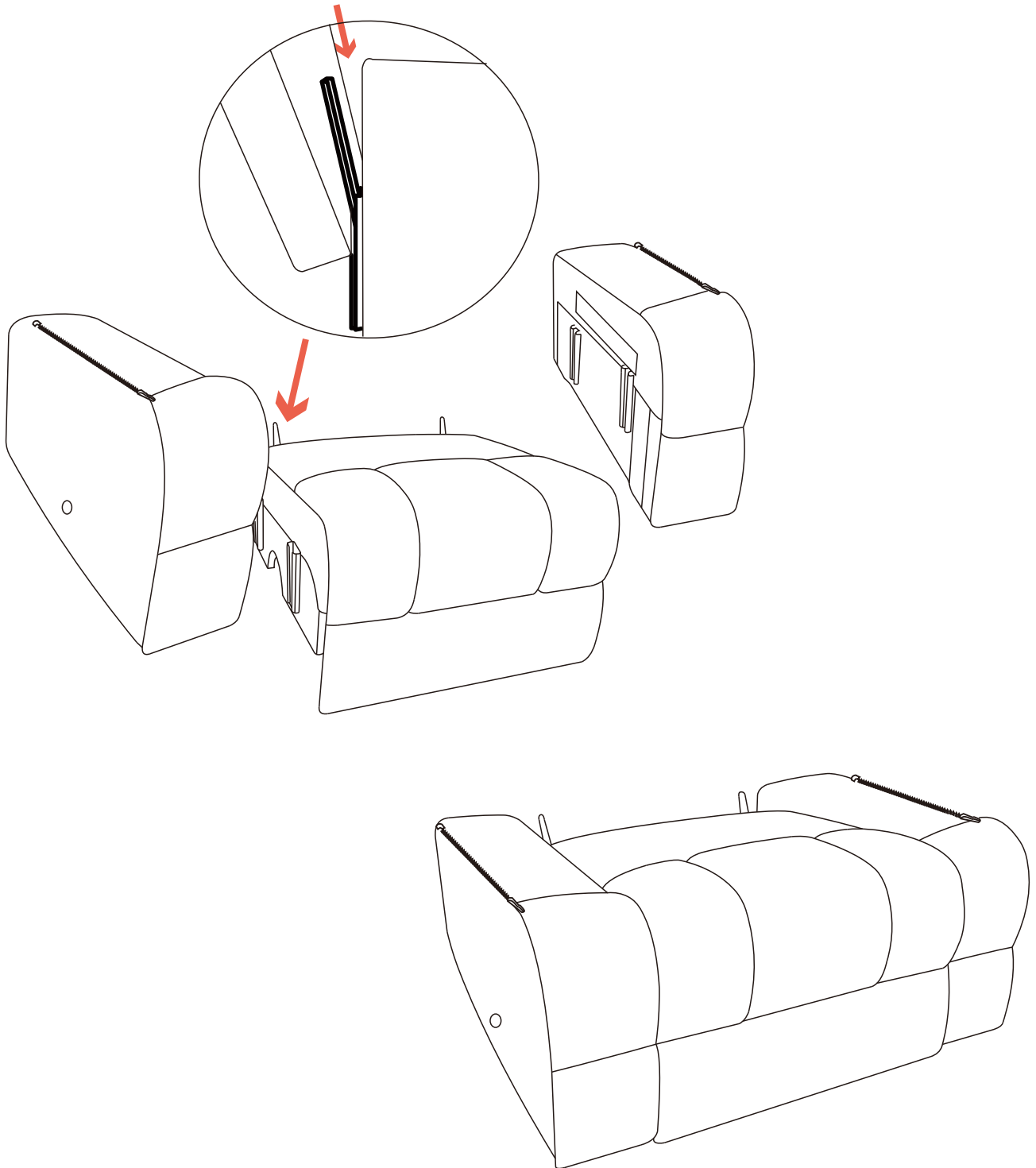
Installation & Assembly



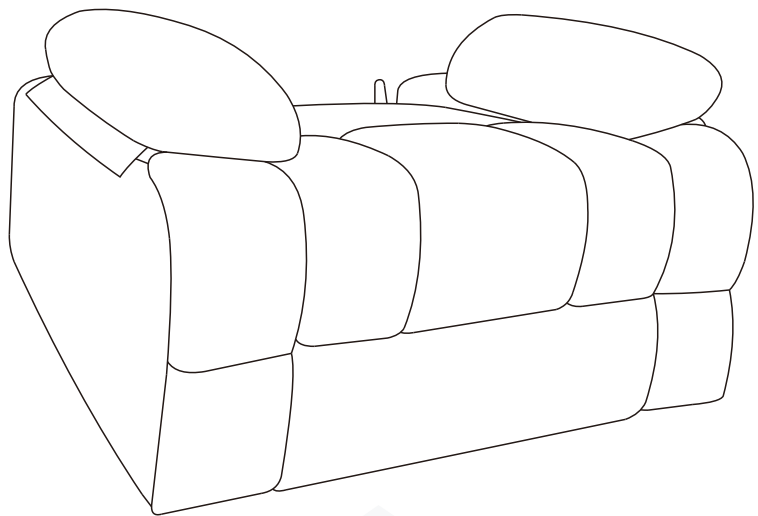
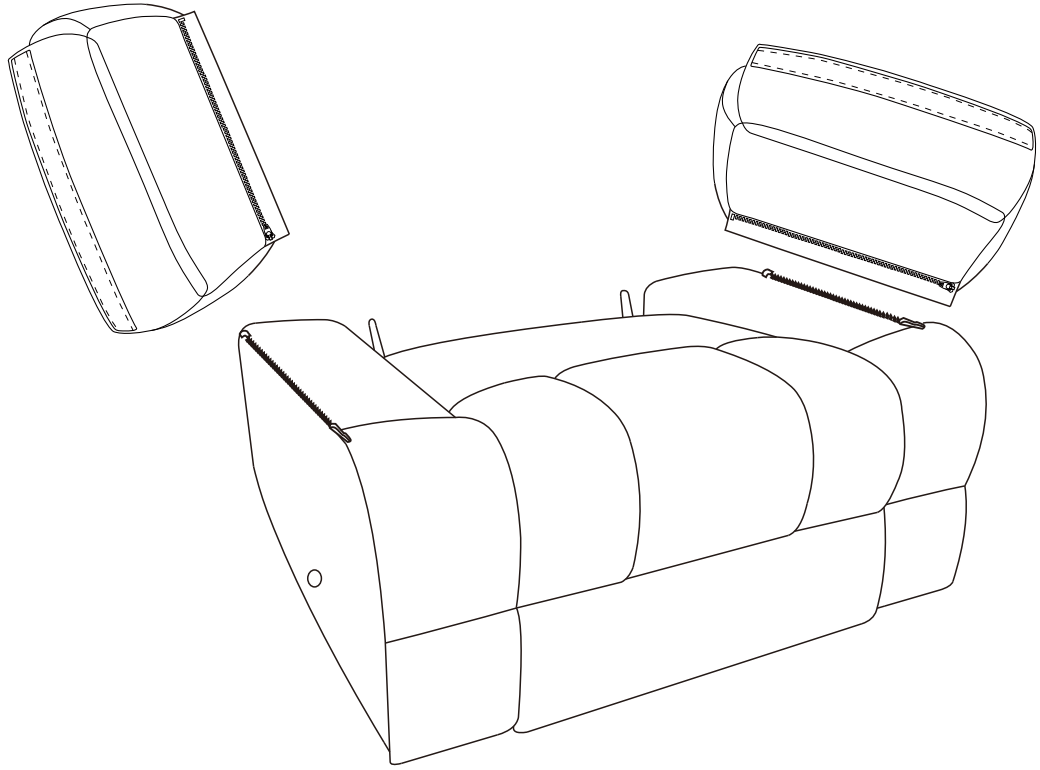
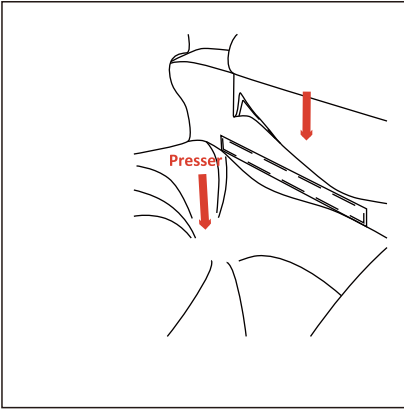
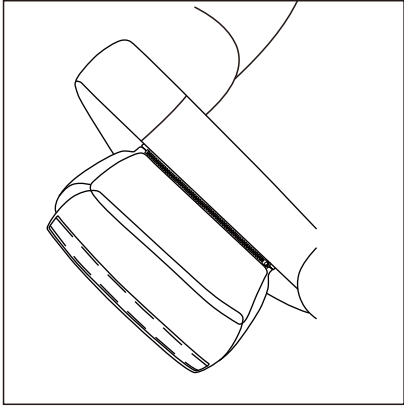
PARTS LISTING

Part	Description	Qty	Part	Description	Qty
A		1PC	B		1PC
C		1PC	D		1PC
E		1PC	F		2PCS
G		1PC			2PCS

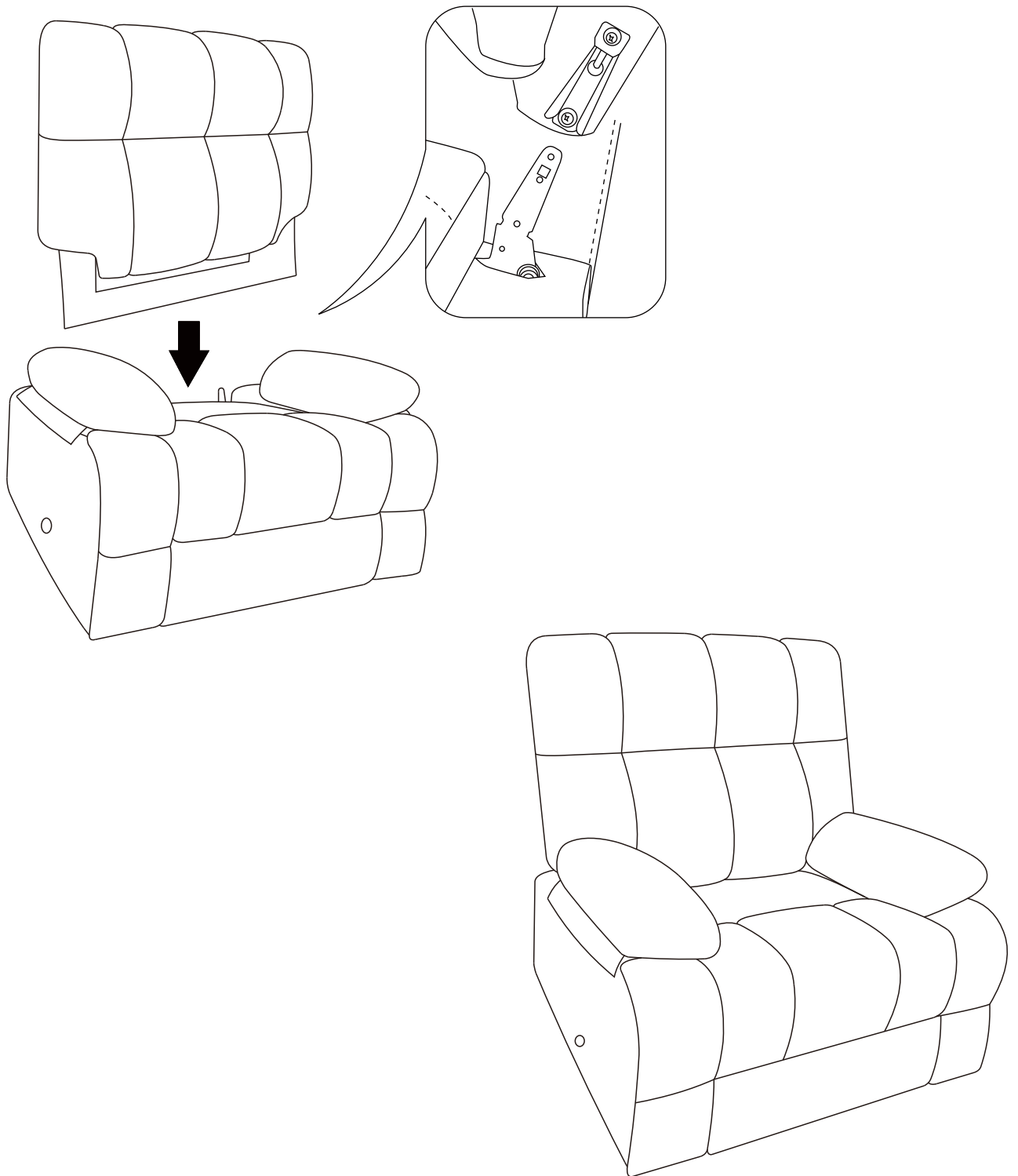
Step 1



Step 2



Step 3



Step 4

