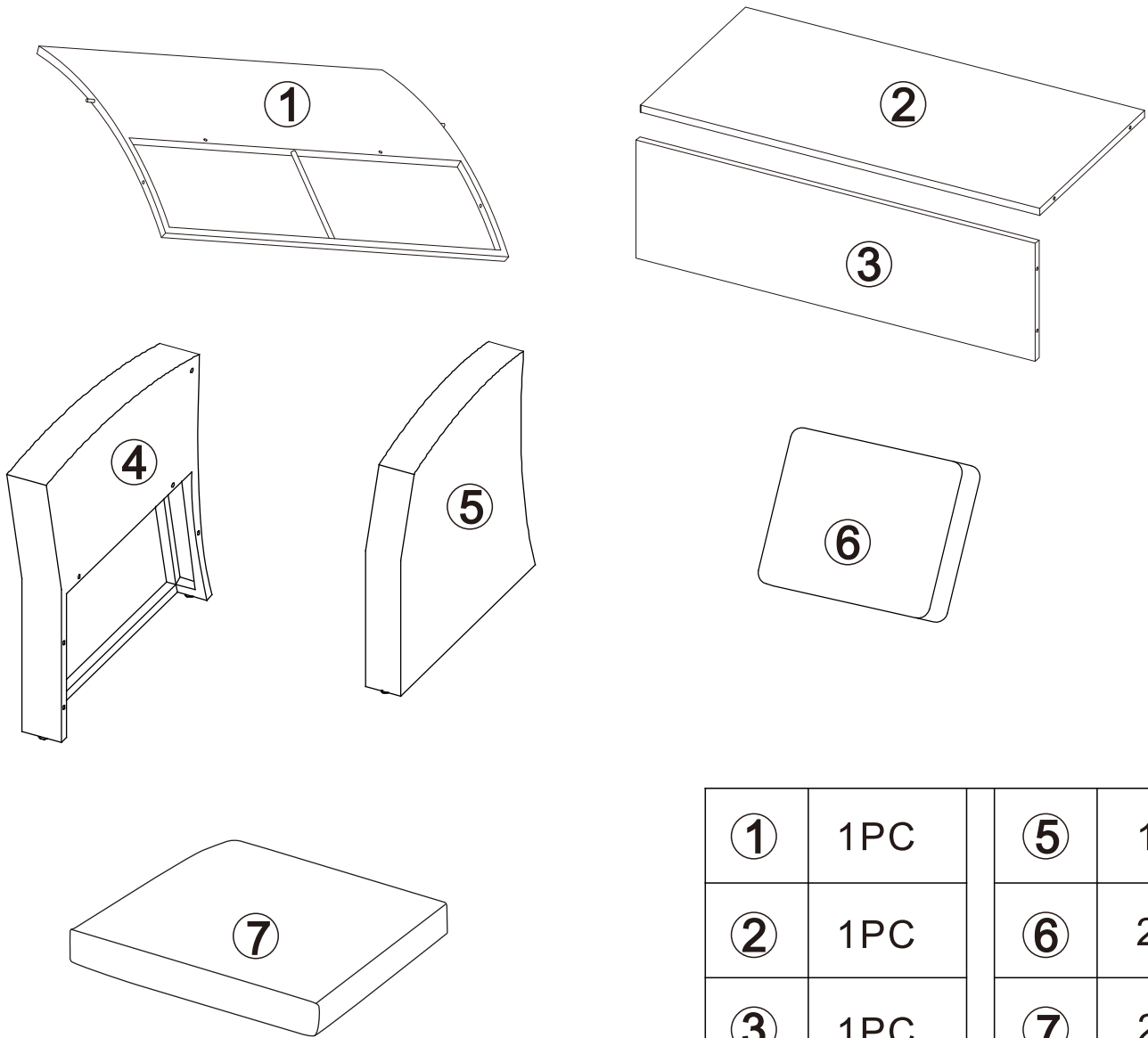


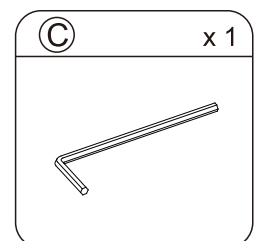
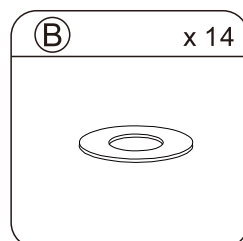
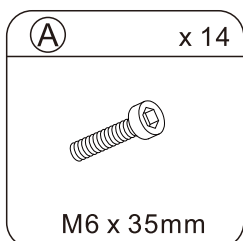
Rattan Corner Sofa Set
Two Seater Sofa

PARTS LIST

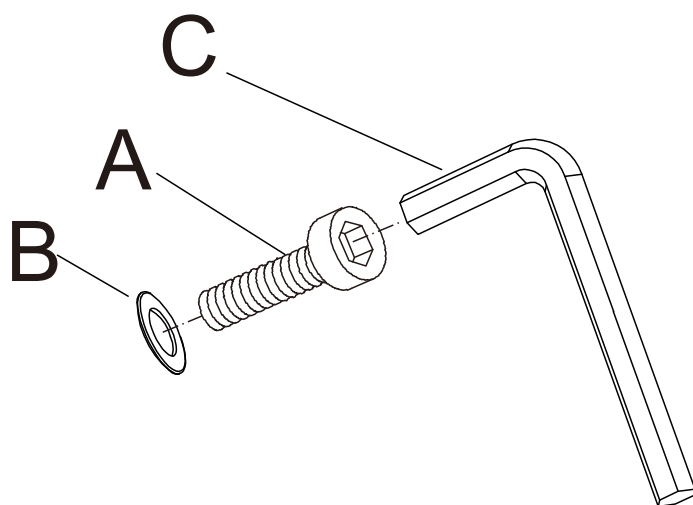


①	1PC	⑤	1PC
②	1PC	⑥	2PCS
③	1PC	⑦	2PCS
④	1PC		

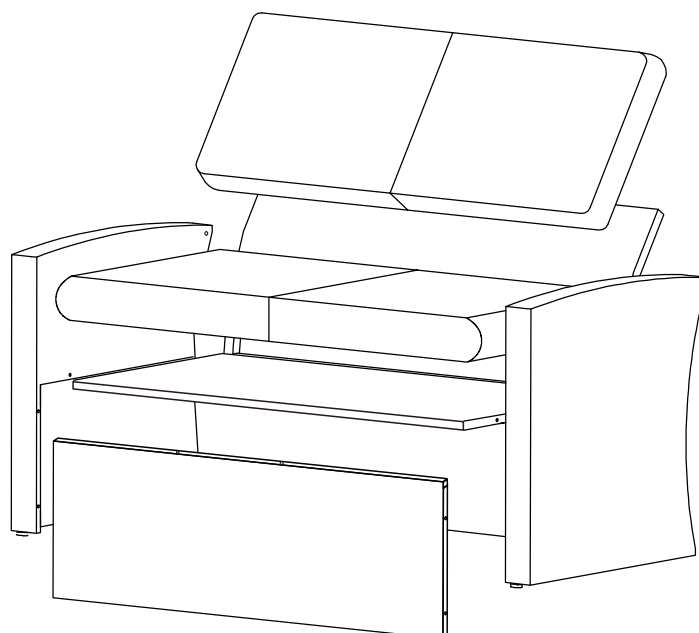
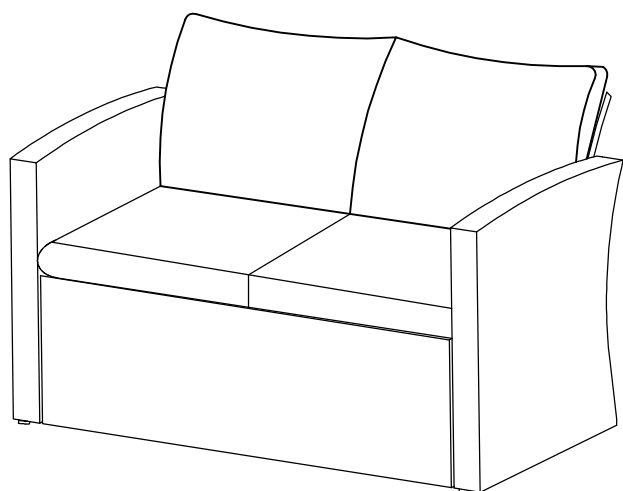
HARDWARE LIST



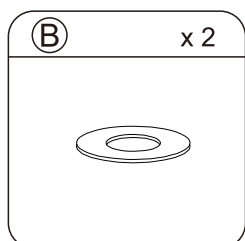
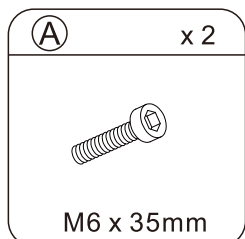
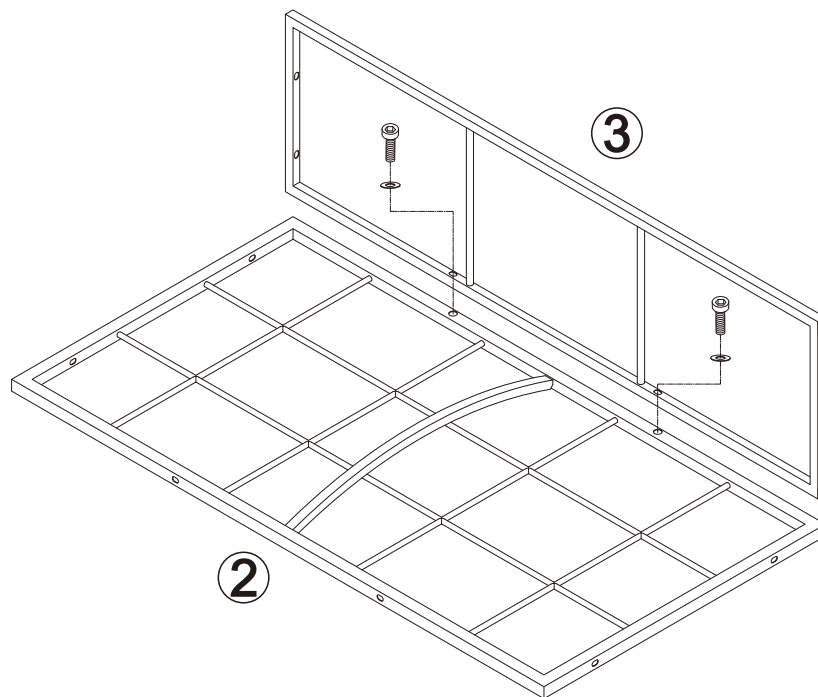
Note: Do not tighten bolts until all parts are connected



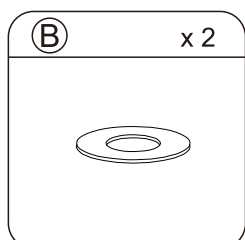
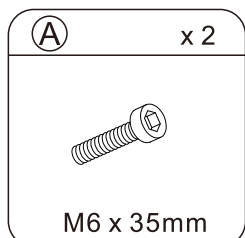
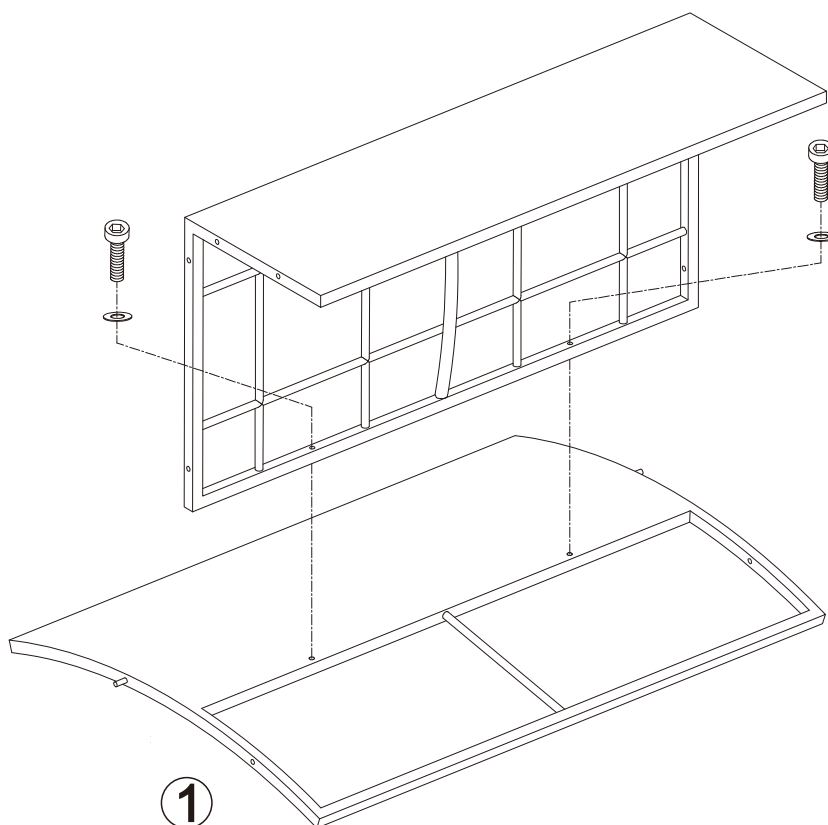
Completed unit



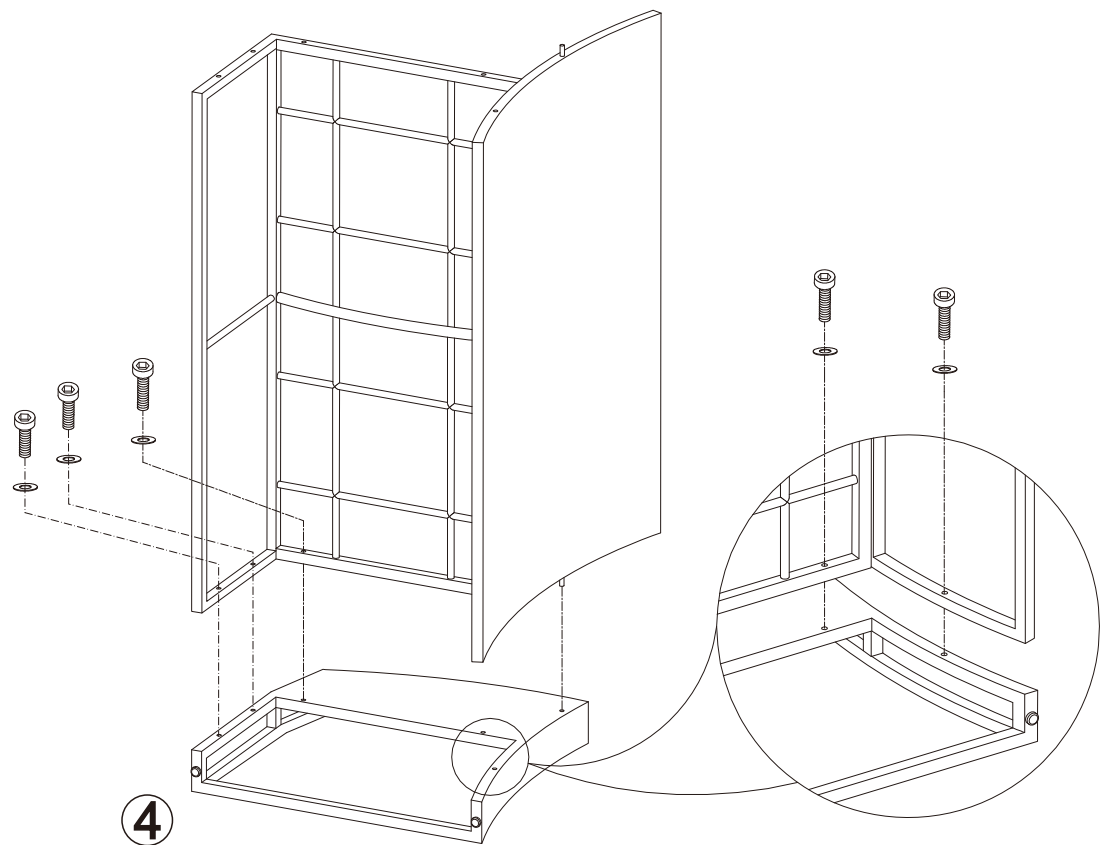
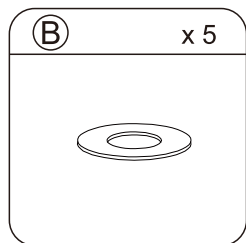
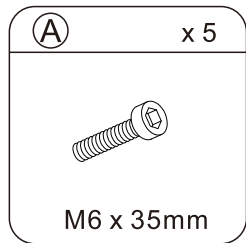
Step 1



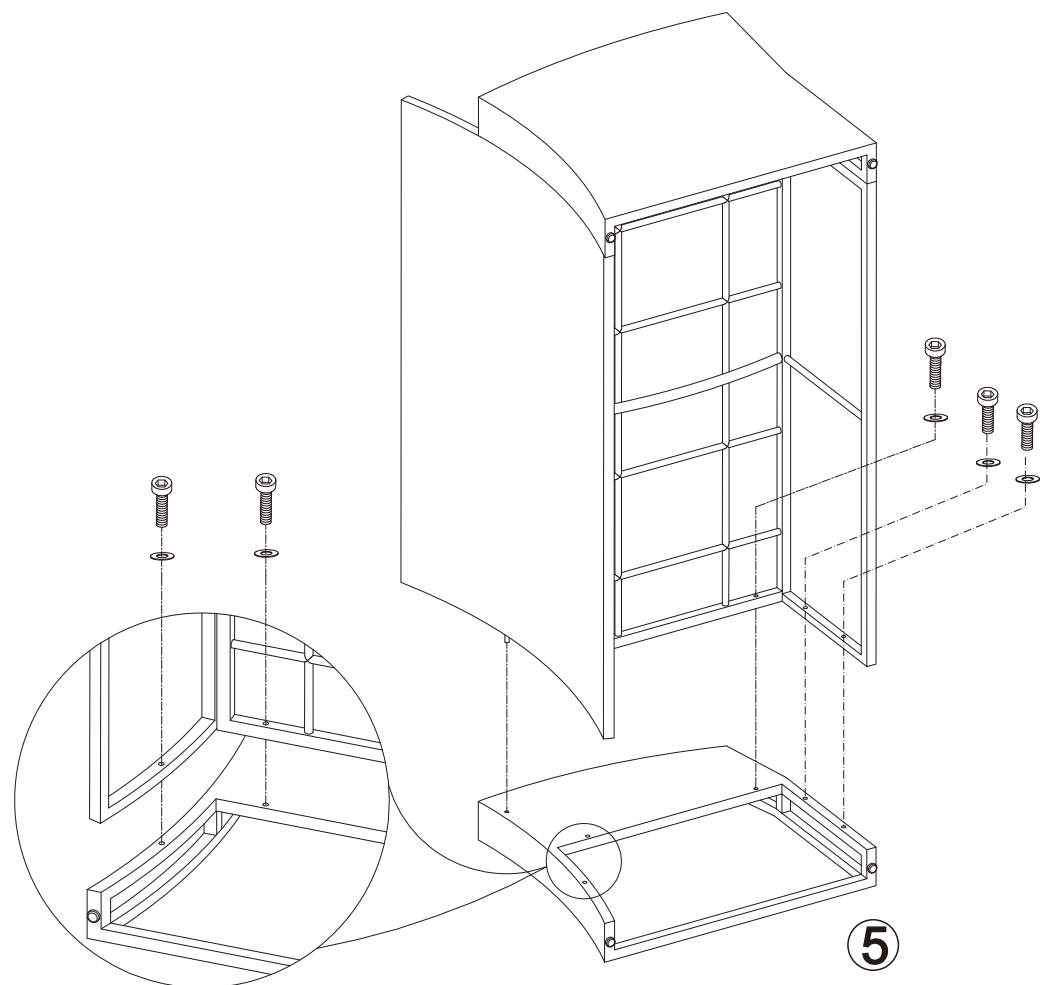
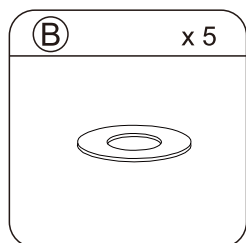
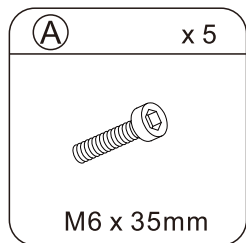
Step 2



Step 3

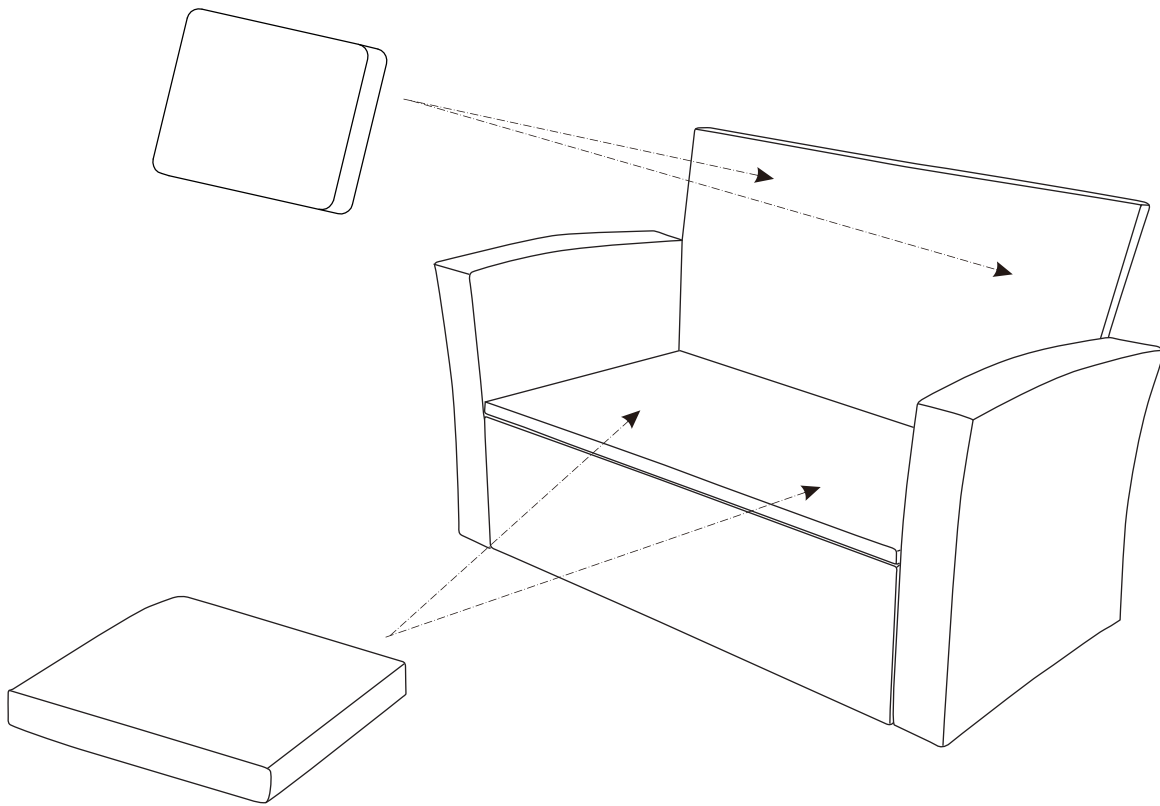


Step 4

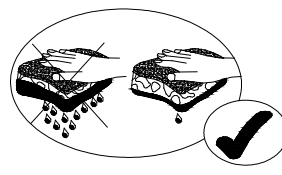
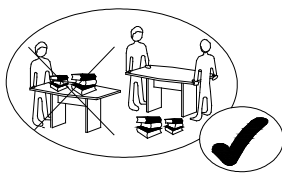
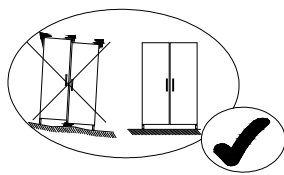
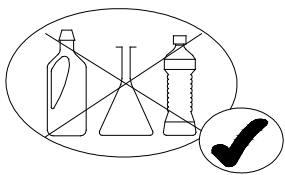


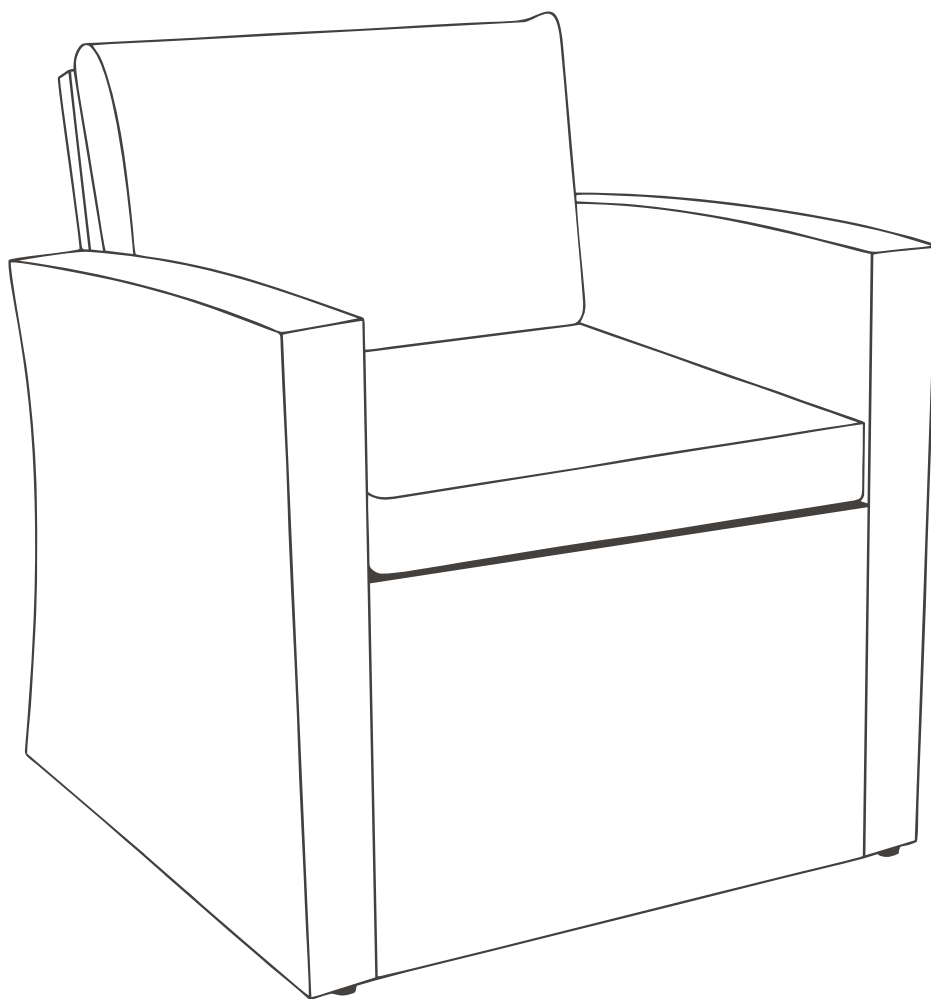
Step 5

⑥ x2pcs



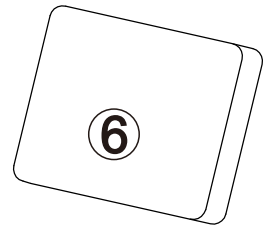
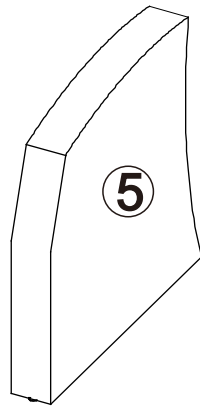
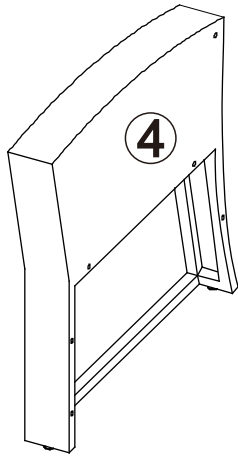
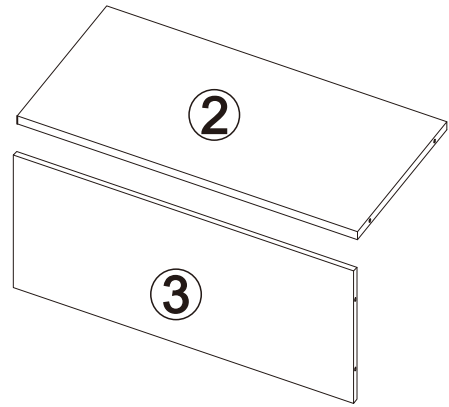
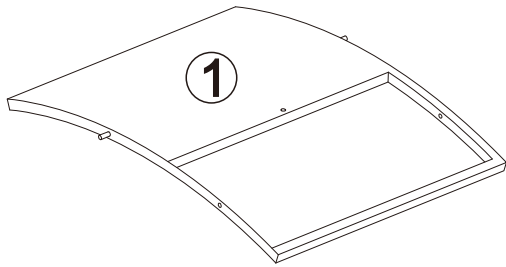
⑦ x2pcs





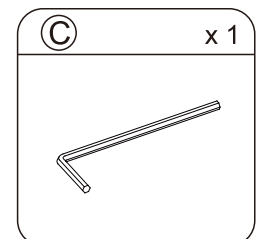
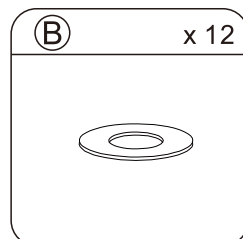
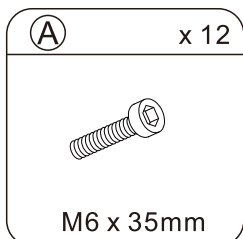
**Rattan Corner Sofa Set
Single Sofa**

PARTS LIST

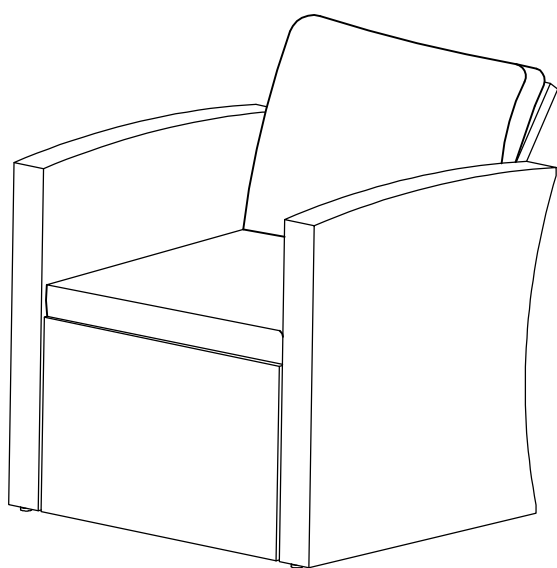
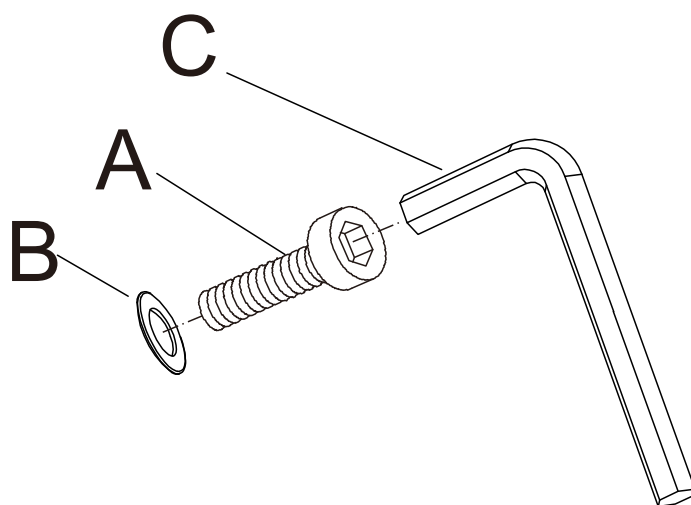


①	1PC	⑤	1PC
②	1PC	⑥	1PC
③	1PC	⑦	1PC
④	1PC		

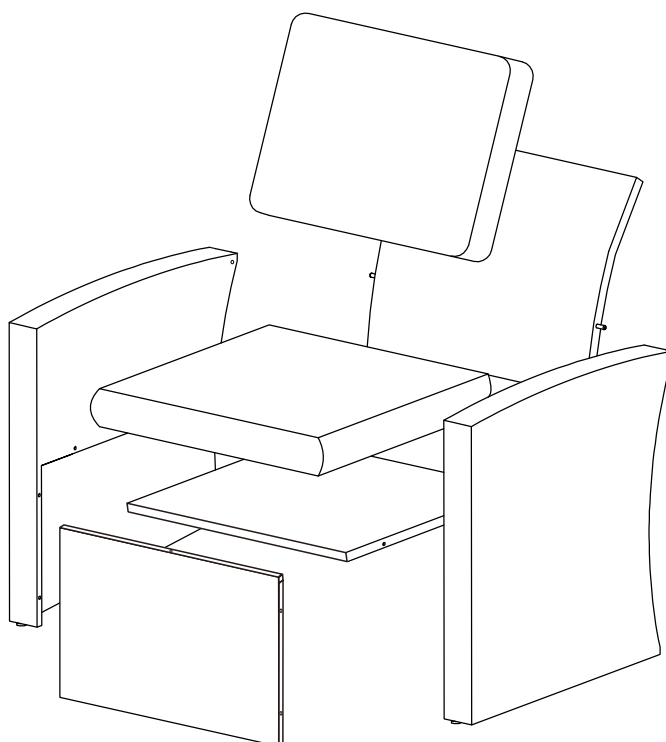
HARDWARE LIST



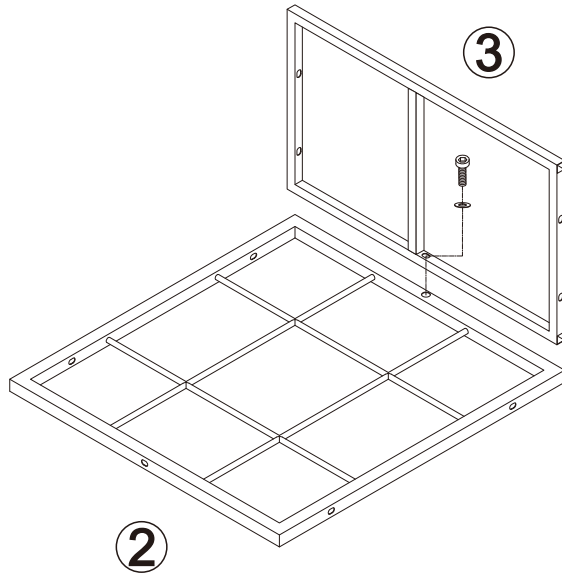
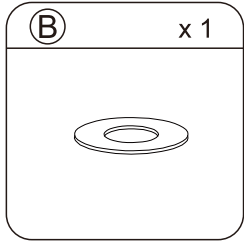
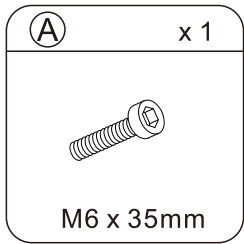
Note: Do not tighten bolts until all parts are connected



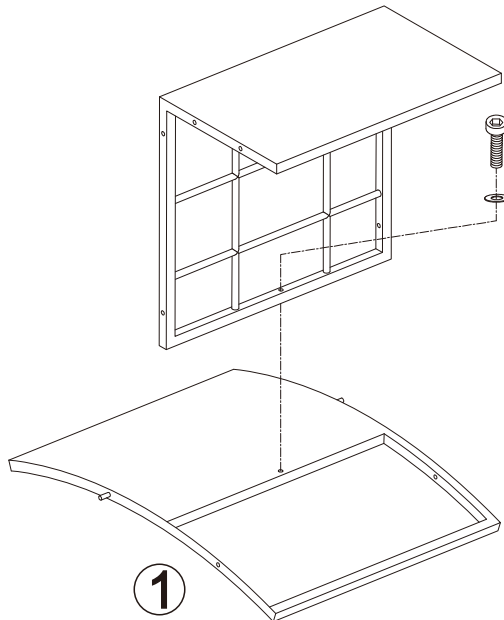
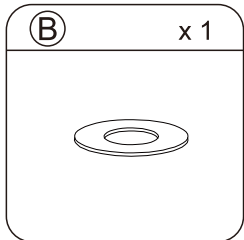
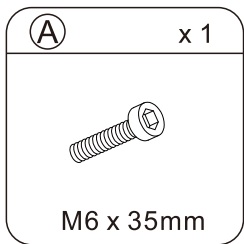
Completed unit



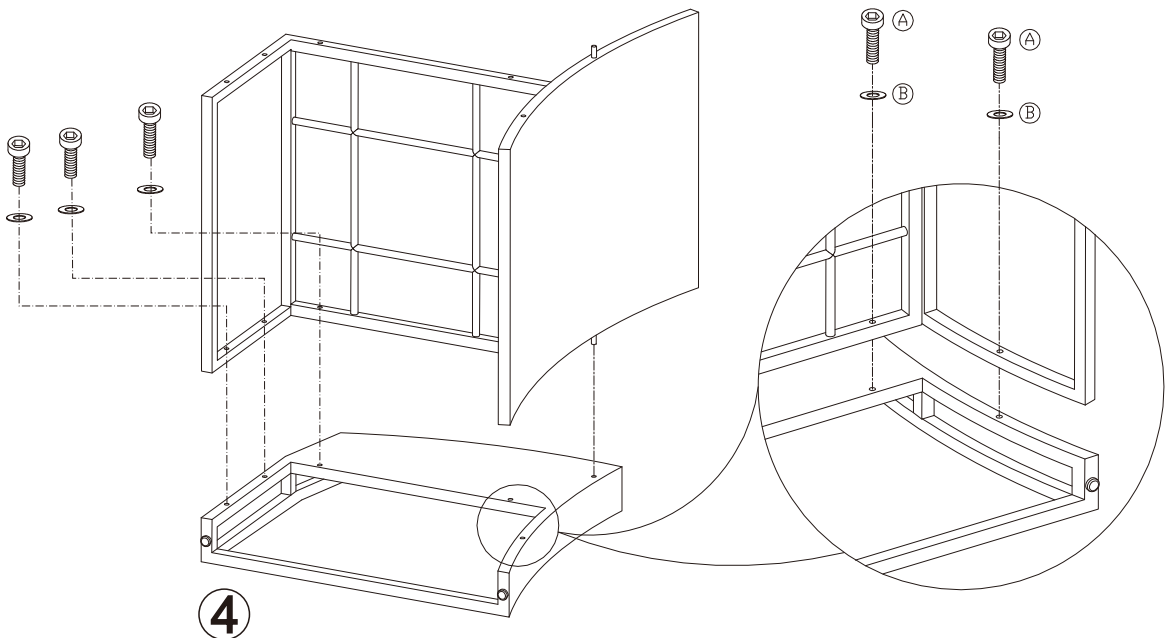
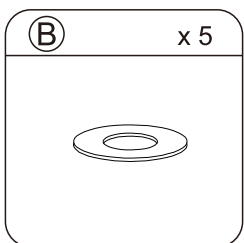
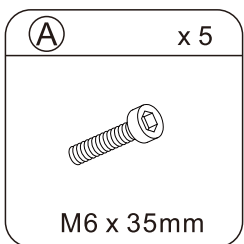
Step 1



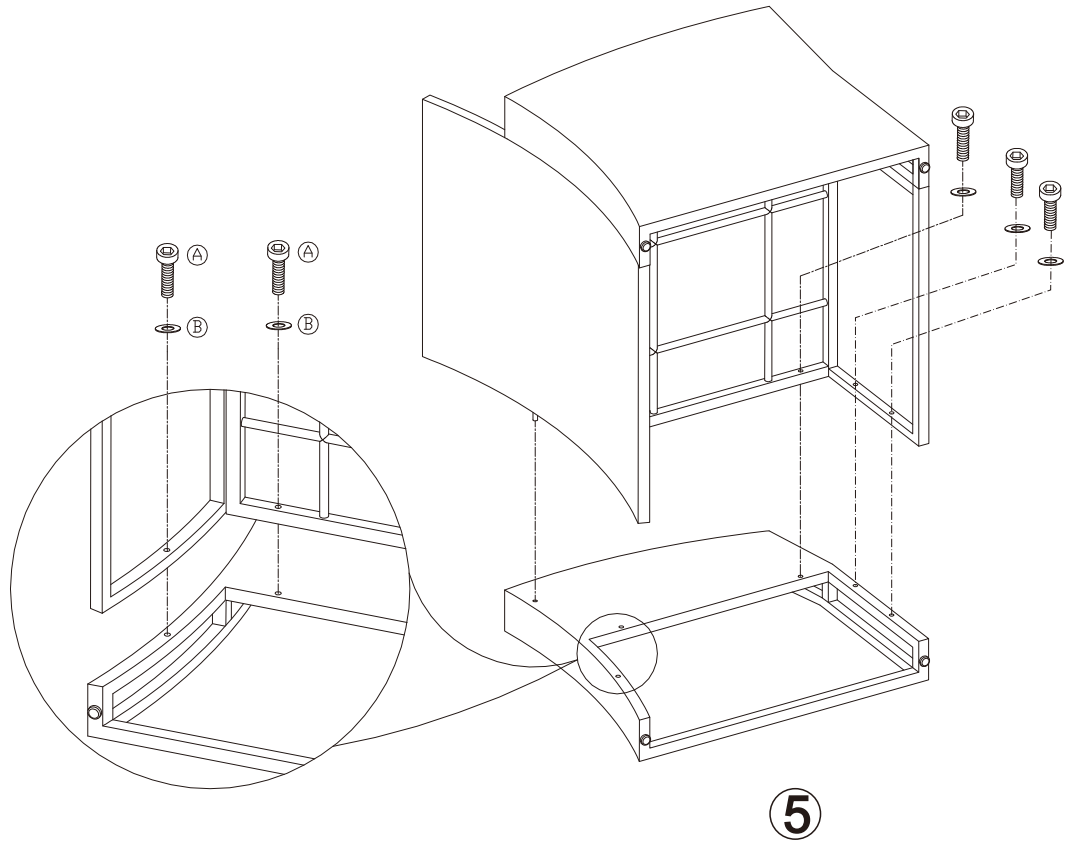
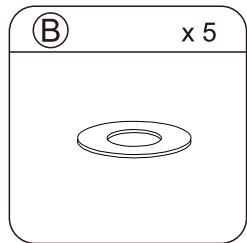
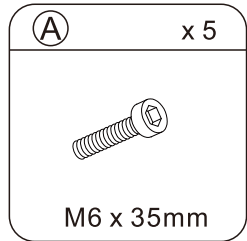
Step 2



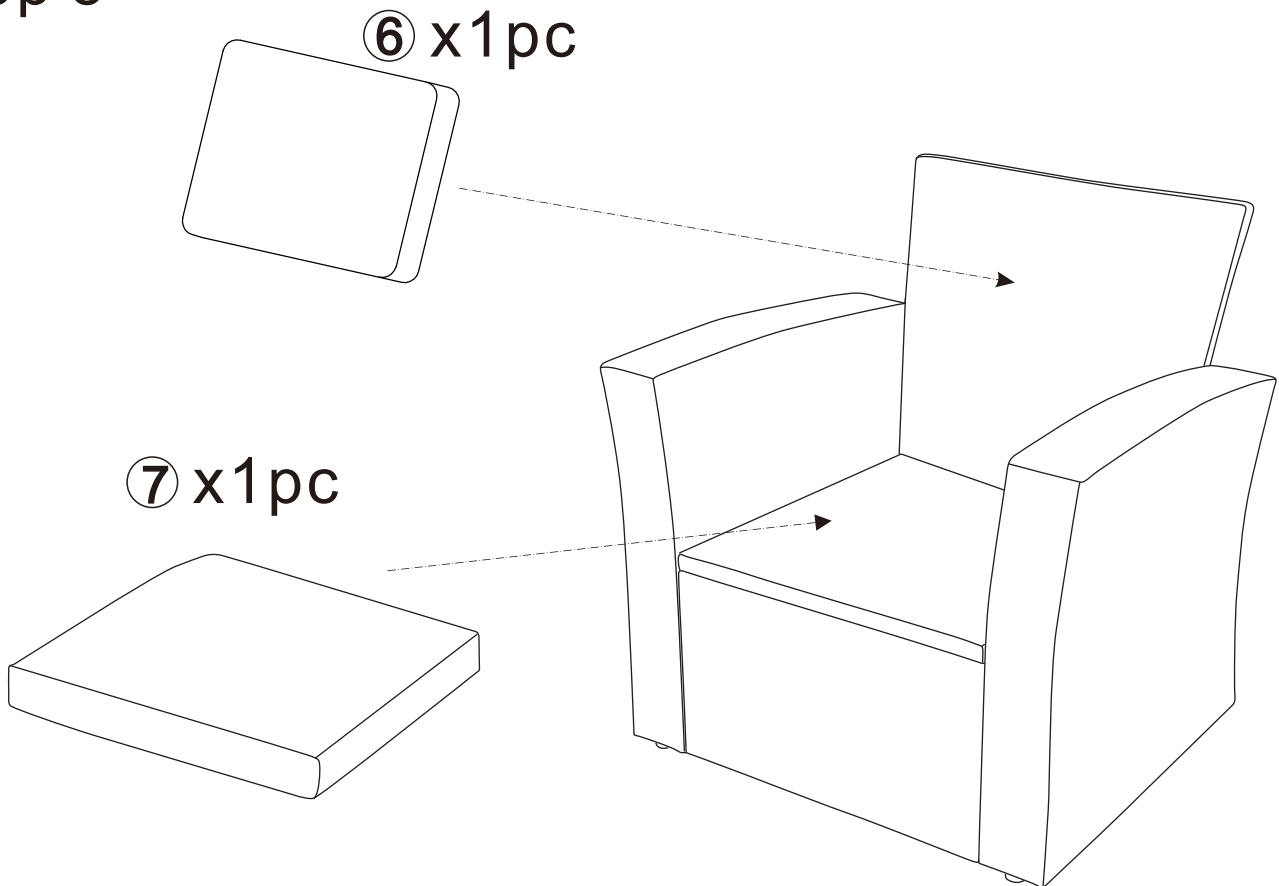
Step 3

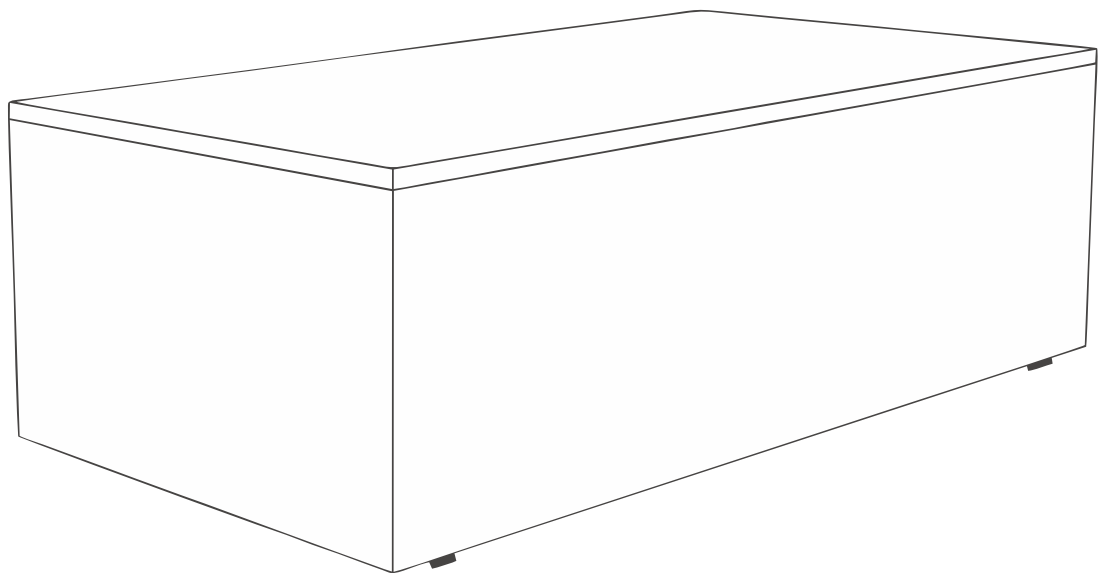


Step 4



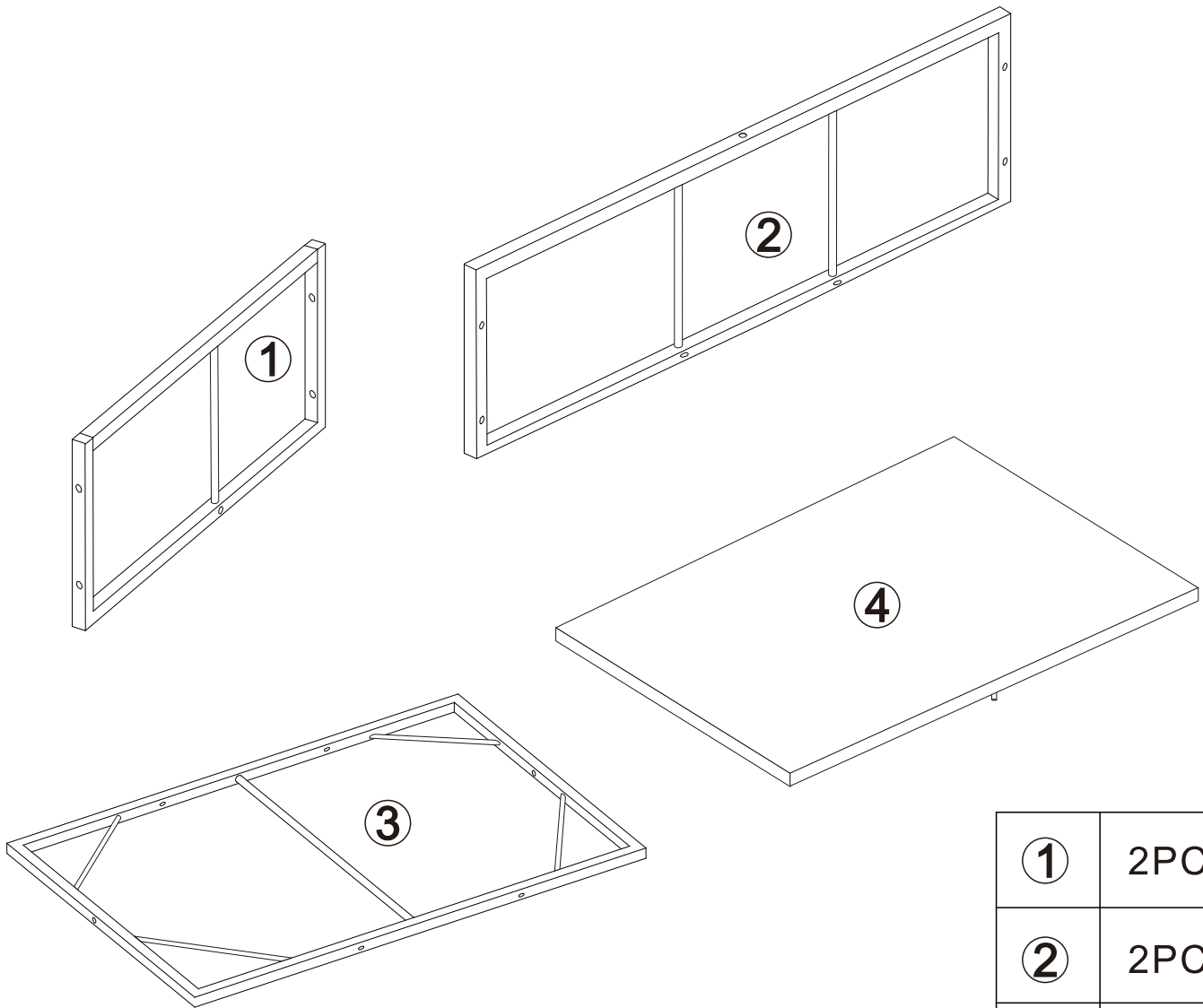
Step 5





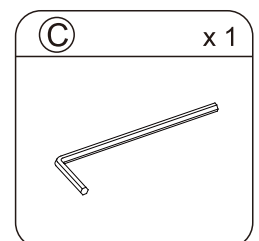
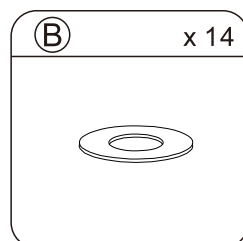
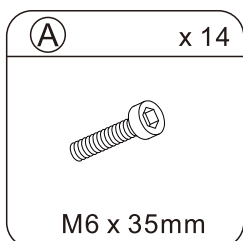
**Rattan Corner Sofa Set
Coffee Table**

PARTS LIST

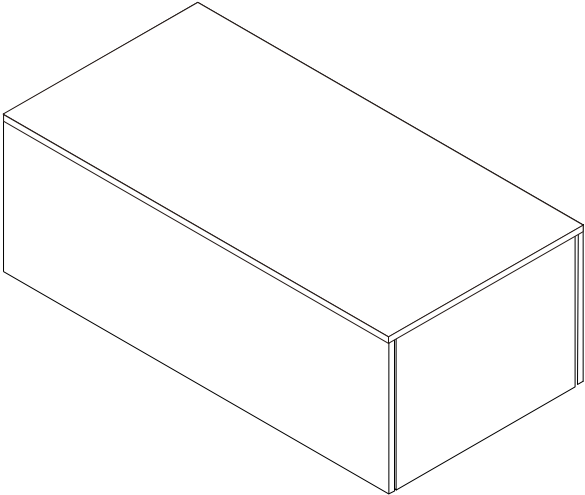
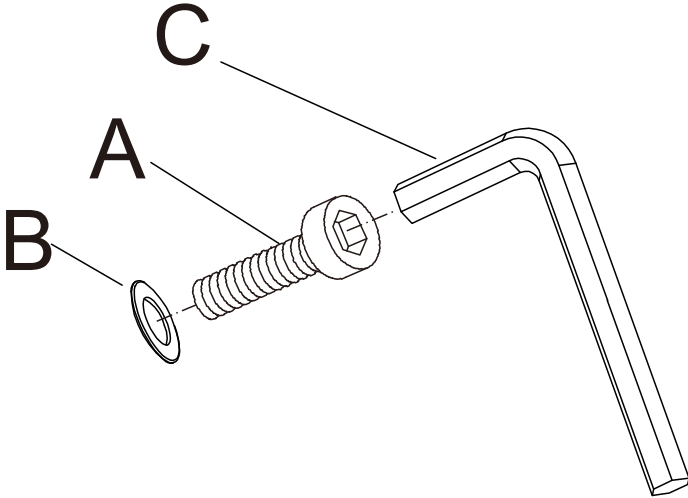


①	2PCS
②	2PCS
③	1PC
④	1PC

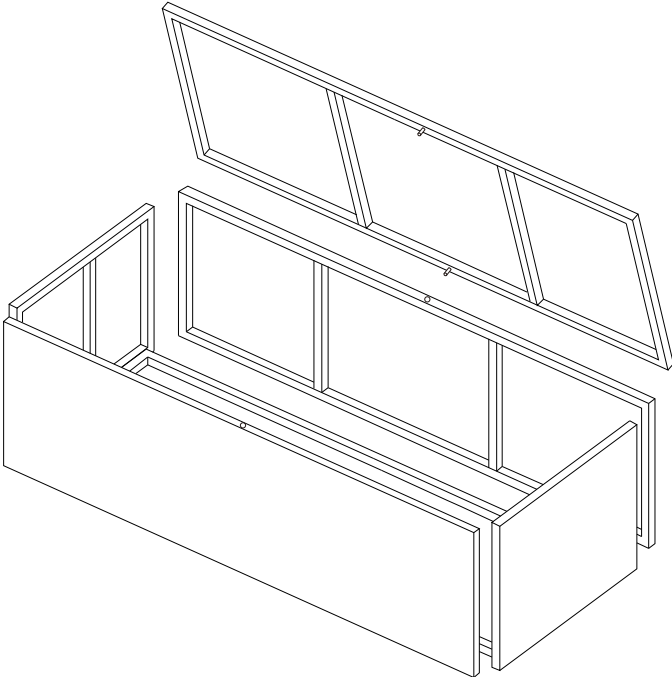
HARDWARE LIST



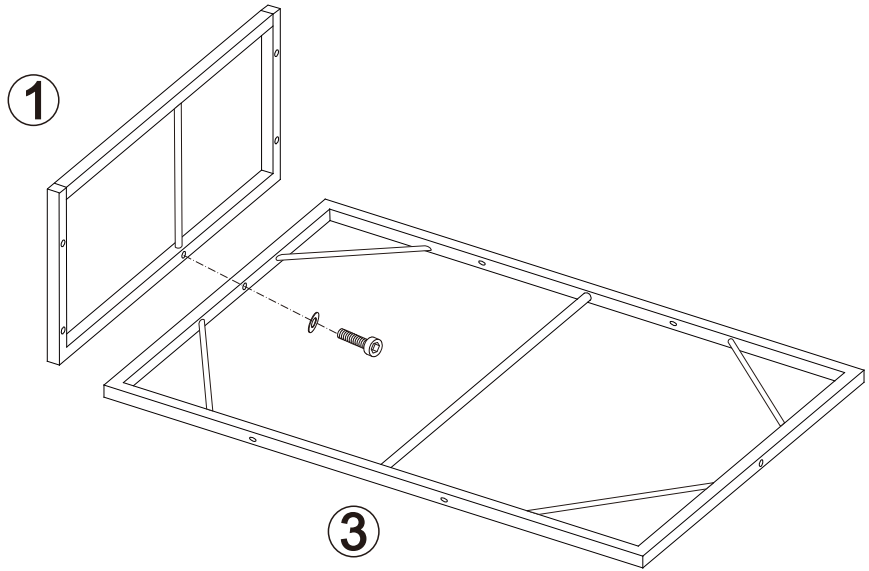
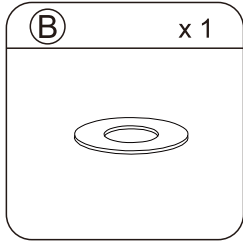
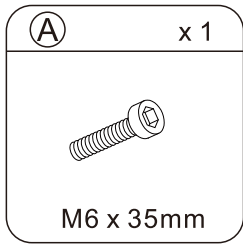
Note: Do not tighten bolts until all parts are connected



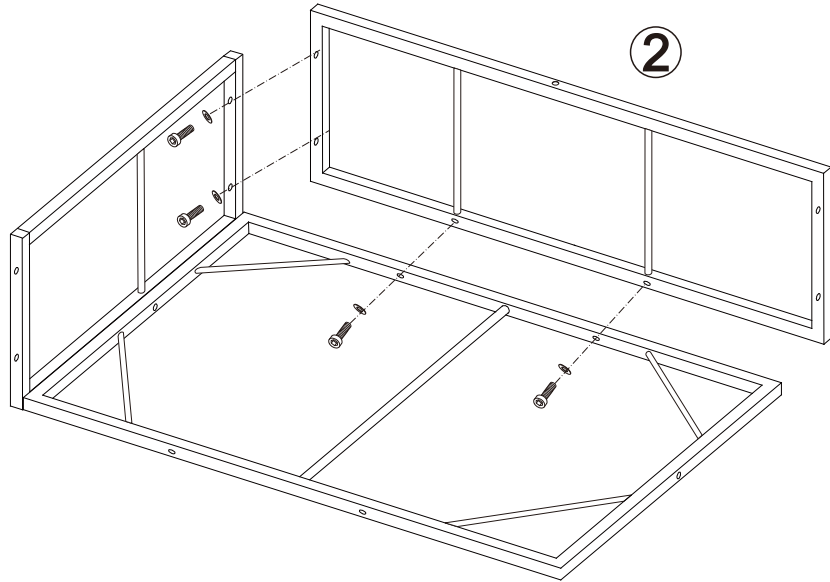
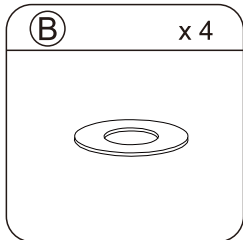
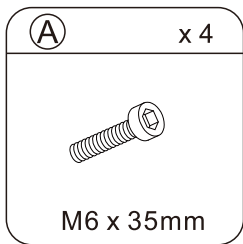
Completed unit



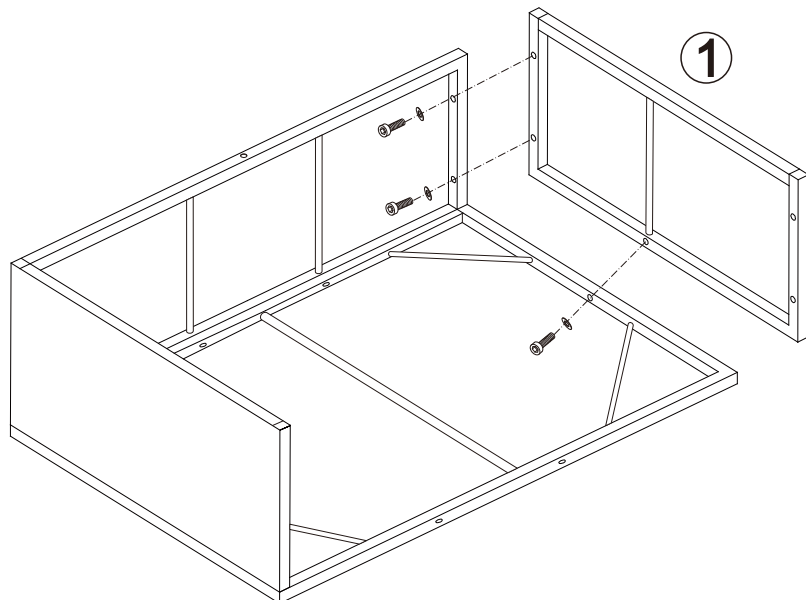
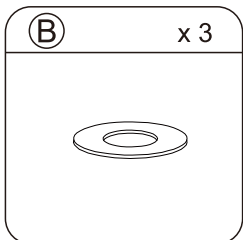
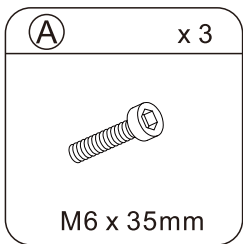
Step 1



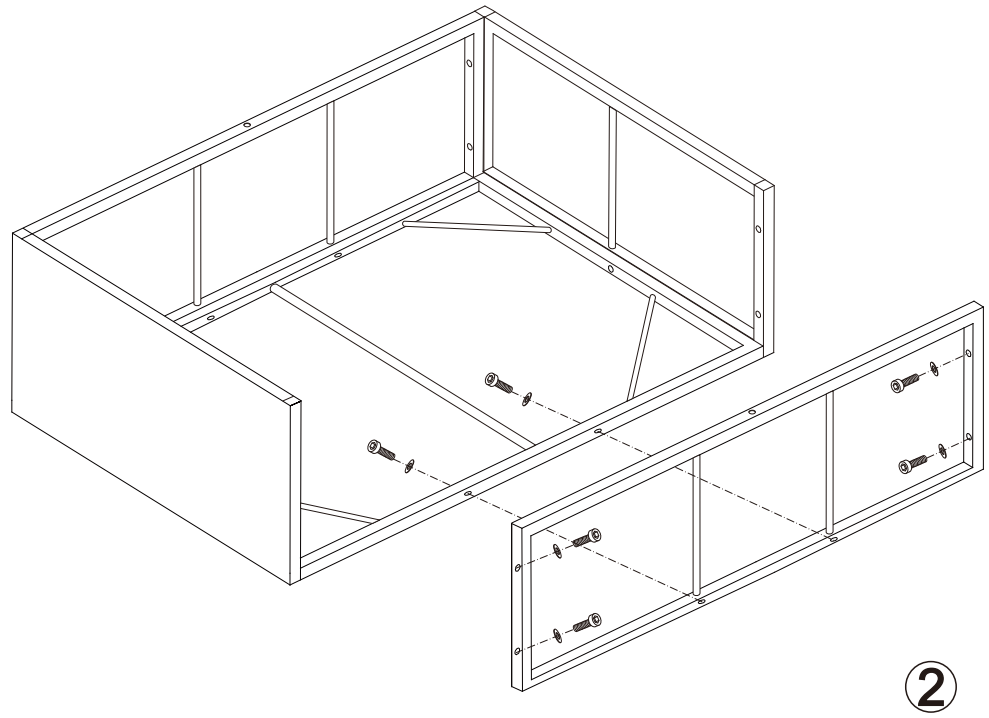
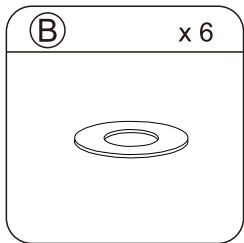
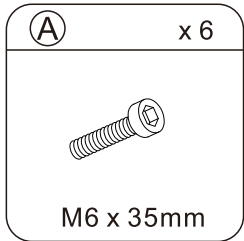
Step 2



Step 3



Step 4



Step 5

