











Assembly Instructions

Caution : You must read this before you proceed

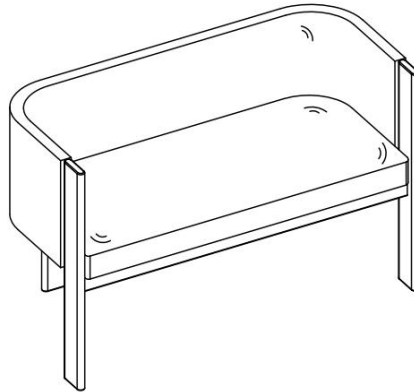
Care & Maintenance

-  ● Not for commercial use. For residential use only.
 -  ● Furniture may scratch floors. We recommend using furniture pads to protect your floors.
 -  ● Do not put hot items directly on furniture surface.
 -  ● Do not clean furniture with harsh cleansers or polish.
 -  ● Do not place furniture under direct sunlight.
 -  ● Do not place furniture near heating or cooling vents.
 -  ● Do not write on furniture without a padded barrier to protect the surface.
 -  ● Do not place furniture outside . For indoor use only.
 -  ● Stains may be removed with mild soap solution and damp cloth.
 -  ● Children should not climb or jump on the furniture.
-
-  ● Dust and pick-up spills using a clean, non-colored, lint-free cloth.

Please look in carton for hardware packs and legs.

Sets often ship in multiple boxes and may arrive a day or two apart.


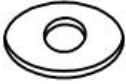



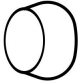




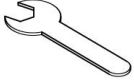
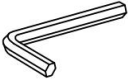
LOVE SEAT



Parts List

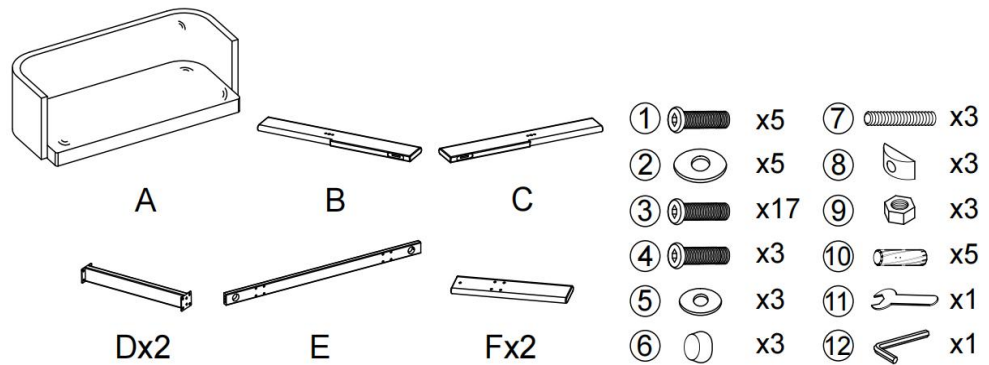
Label	Picture	Description	QTY
A		Seat Frame	1
B		Front Leg-B	1
C		Front Leg-C	1
D		Side Stretcher	2
E		Front Stretcher	1
F		Back Leg	2

Hardware

Label	Picture	Description	QTY
①		Bolt Ø1/4" x 2-1/2"	5
②		Flat Washer Ø5/16"×16mm×1.5	5
③		Bolt Ø1/4" x 3/4"	17
④		Bolt Ø1/4" x 1-1/2"	3
⑤		Flat Washer Ø1/4"×12mm×1.5	3
⑥		wood plug	3
⑦		Full Thread Screw Ø5/16"×2-3/4"	3
⑧		Half Moon Washer 28 x 15 x 6.5mm	3
⑨		Nut Ø5/16"	3
⑩		Wood Dowel Ø8 x 30mm	5
⑪		Open wrench L85mm, open-endØ12mm	1
⑫		Allen Wrench 4.0×21×57	1

Assembly Preparation

Before Beginning Assembly:



- Read instructions, cover to cover-



- Have 2 adults on hand for assembly-



- Do not assemble on flooring or carpet-

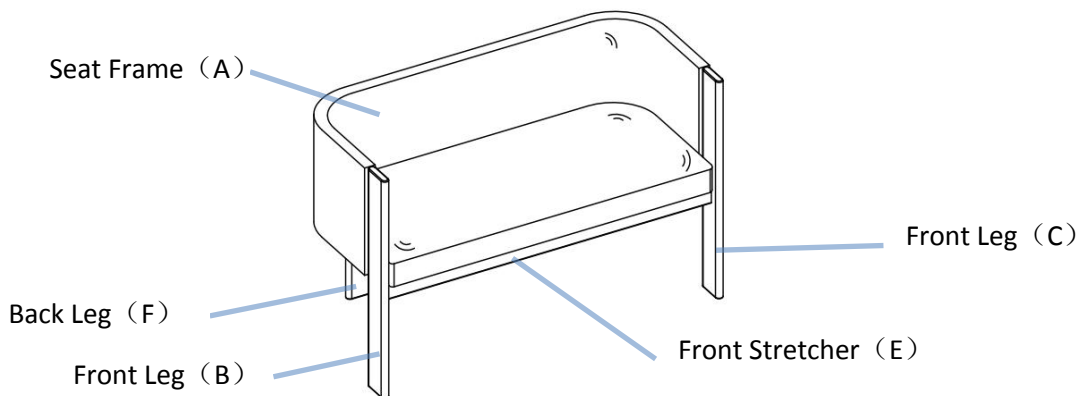


- Assemble on a clean non-marring surface (packing foam)-



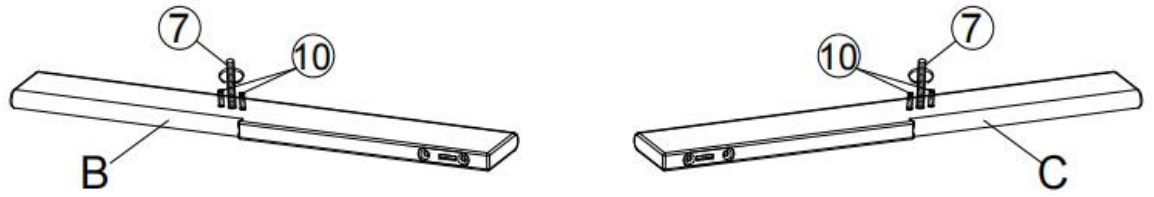
- Save all packaging until finished-

Assembly Steps



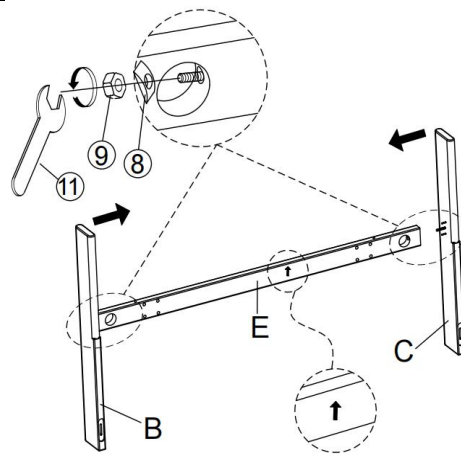
This Chair has multiple parts and may require up to some 30 minutes to assemble. To give you an overview of the Chair parts, the above picture is to help you put the various parts into perspective. Please read through the instructions below to familiarise yourself with the parts and steps before assembly.

Step 1



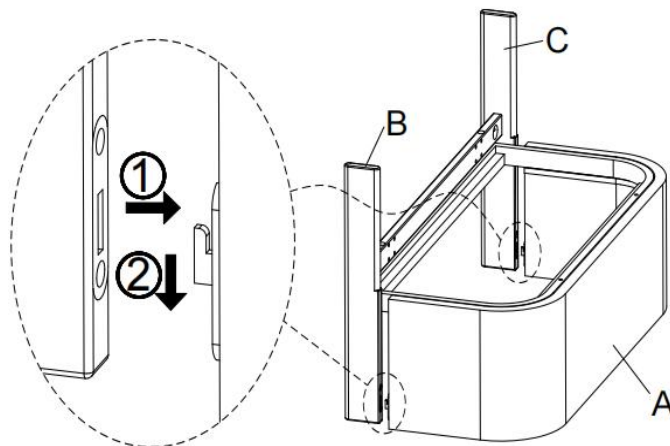
Attach Full Thread Screw (⑦) and Wood Dowel (⑩) to Front Leg (B&C), as pictured above.

Step 2



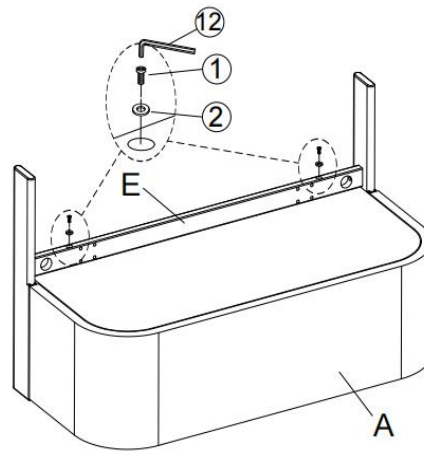
Attach Front Leg (B&C) to Front Stretcher (E), by using Half Moon Washer (⑧), Nut (⑨) and Open wrench (⑪), as pictured above.

Step 3



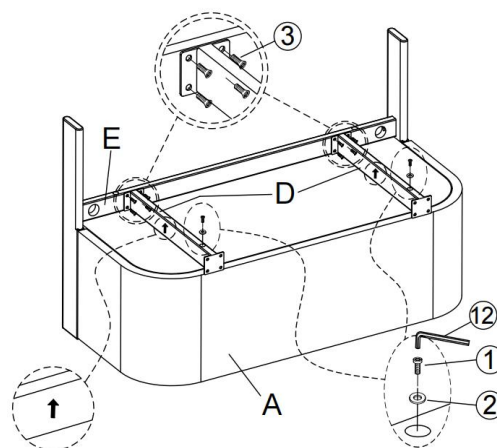
Attach Front Leg (B&C) to Seat Frame (A), as pictured above.

Step 4



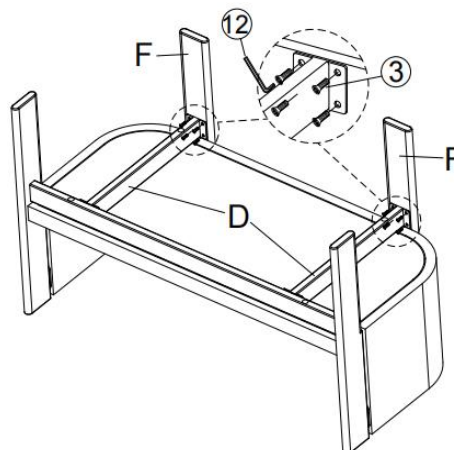
Attach Front Stretcher (E) to Seat Frame (A), by using Bolt(①), Flat Washer (②) and Allen Wrench (⑫), as pictured above.

Step 5



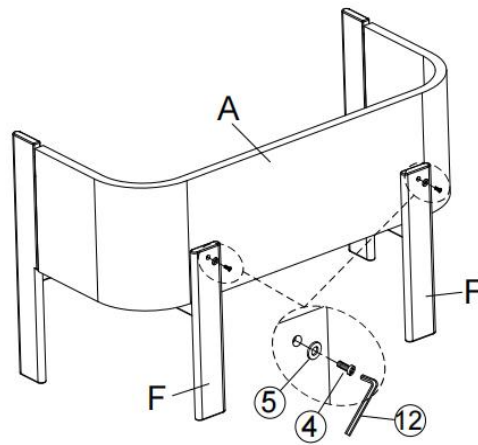
Attach Side Stretcher (D) to Front Stretcher (E), by using Bolt(③). Attach Side Stretcher (D) to Seat Frame (A), by using Bolt(①), Flat Washer(②) and Allen Wrench (⑫), as pictured above.

Step 6



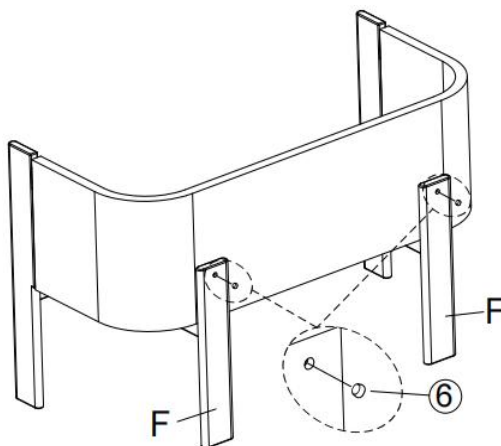
Attach Back Leg (F) to Side Stretcher (D), by using Bolt(③) and Allen Wrench (⑫), as pictured above.

Step 7



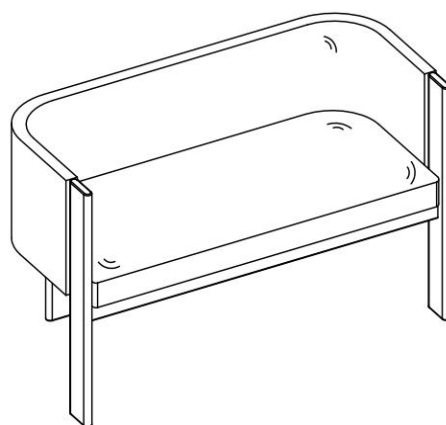
Attach Back Leg (F) to Seat Frame (A), by using Bolt(④), Flat Washer(⑤) and Allen Wrench (⑫), as pictured above.

Step 8



Attach wood plug (⑥) to Back Leg (F), as pictured above.

Step 9



Your Chair is ready for use.
This Chair can only be used on a flat, level surface.