

# WF45T6000AW

SAMSUNG

## Samsung 4.5 cu. ft. Front Load Washer with Vibration Reduction Technology+



### Signature Features

#### 4.5 cu. ft. Capacity

- Fewer loads, less time in the laundry room and more time doing the things you love.

#### Vibration Reduction Technology+

- Reduces noise and vibration for extra quiet washing.

#### Self Clean+

- Eliminates 99% of bacterial<sup>1</sup> in the drum.

### Available Color



White



Vibration Reduction Technology+



Self Clean+

### Features

- 4.5 cu. ft. Capacity
- Vibration Reduction Technology+
- Self Clean+<sup>1</sup>
- Smart Care<sup>2</sup>
- Swirl+ Drum Interior
- Closet-Depth Fit<sup>3</sup>
- Stackable
- UL Certified
- 1200 RPM Maximum Spin Speed
- Direct Drive Motor

- 10 Preset Washing Cycles
- 6 Additional Washing Options
- 5 Temperature Levels
- LED Display: Ice Blue
- 24-Hour Delay End

### Convenience

- Child Lock
- Delay End
- Dispenser Trays: Main Wash, Softener, Bleach

### Rating



ENERGY STAR<sup>®</sup>-rated  
CEE Tier 2  
IMEF = 2.95  
IWF = 2.9  
90 kWh/yr



ADA Compliant<sup>4</sup>

<sup>1</sup>Based on testing by Intertek of the Self Clean+ cycle on the WF6000R.

<sup>2</sup>Requires Samsung Smart Washer/Dryer App. The Samsung Smart Washer/Dryer App supports Android OS 2.3.6 or later and iOS 3 or later for iPhone models. Samsung Smart Washer/Dryer App available in App Store and Play Store.

<sup>3</sup>Designed to fit a 40" installation depth.

<sup>4</sup>ADA Compliant when using 27" wide riser. (Riser model codes: WE272NV, WE272NW, WE272NC).

# WF45T6000AW

**SAMSUNG**

## Samsung 4.5 cu. ft. Front Load Washer with Vibration Reduction Technology+

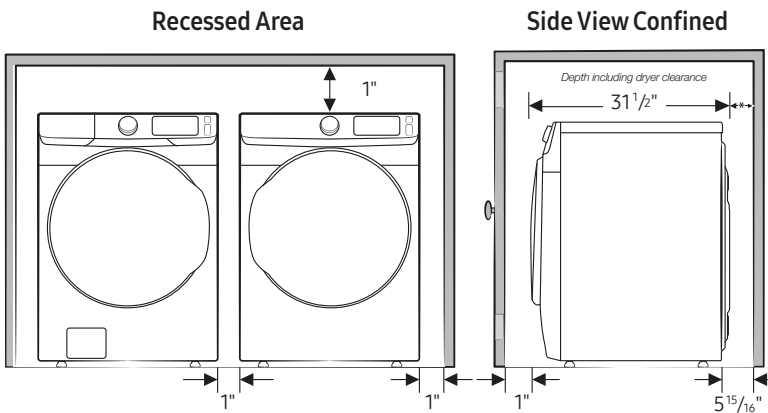
### Installation Specifications

If the washer and dryer are installed together or the dryer alone, the closet front must have two unobstructed air openings for a combined minimum total area of 72-inch<sup>2</sup> (see stacked build below). Your washer alone does not require a specific air opening.

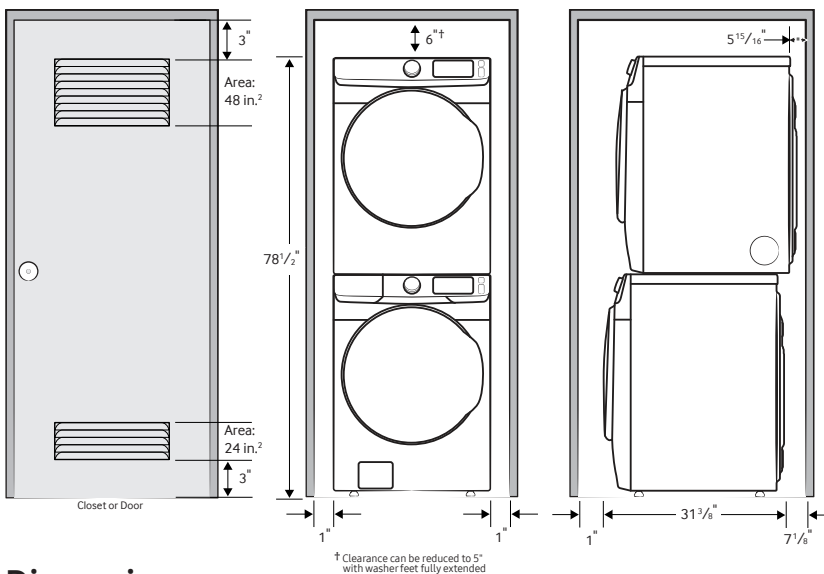
\*Required spacing (External exhaust elbow may require additional space.)

#### 1. Alcove or closet installation

Minimum Clearance for Closet and Alcove Installations:

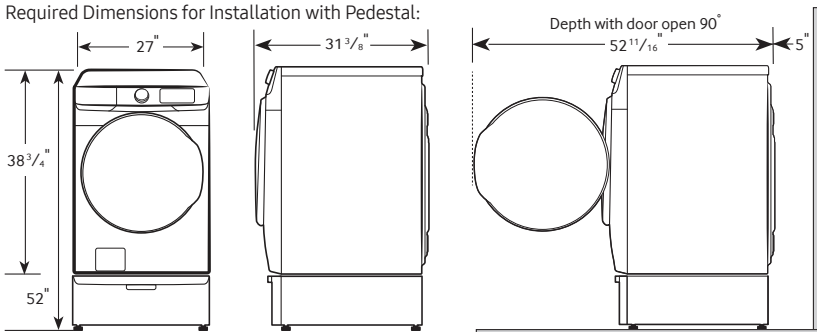


#### 2. With stacked washer and dryer



### Dimensions

Required Dimensions for Installation with Pedestal:



#### 10 Preset Washing Cycles:

Normal, Heavy Duty, Bedding, Quick Wash, Permanent Press, Delicates, Whites, Activewear, Rinse and Spin, Self Clean+

#### 6 Additional Washing Options:

Presoak, Delay End, Smart Care, Sound, Child Lock, Spin Only

#### 5 Temperature Levels:

Hot, Warmer, Warm, Cool, Cold

#### 5 Spin Speeds:

High, Medium High, Medium, Low, No Spin

#### 5 Soil Levels:

Heavy, Medium Heavy, Normal, Medium Low, Light

#### Dispenser Trays:

Main Wash, Softener, Bleach

#### Warranty

One (1) Year Parts and Labor

Three (3) Years Stainless Steel Tub (Part Only)

Twenty (20) Years; Washing DIT (Digital Inverter Motor) Motor Part (Part Only)

#### Product Dimensions & Weight (WxHxD)

Dimensions: 27" x 38 3/4" x 31 3/8"

Weight: 200 lbs

#### Shipping Dimensions & Weight (WxHxD)

Dimensions: 29 3/8" x 42 3/8" x 34 1/8"

Weight: 205 lbs

Color	Model #	UPC Code
White	WF45T6000AW	887276394794

#### Matching Dryer (Electric/Gas)

White	DVE45T6000W	887276412634
White	DVG45T6000W	887276412641

#### Matching Long Vent Dryer (Electric/Gas)

White	DVE45T6020W	887276438153
White	DVG45T6020W	887276438160

#### Pedestal

White	WE402NW	887276310152
-------	---------	--------------

#### Riser

White	WE272NW	887276197647
-------	---------	--------------

#### Accessories

Stacking Kit	SKK-8K	887276344034
--------------	--------	--------------

Actual color may vary. Design, specifications, and color availability are subject to change without notice. Non-metric weights and measurements are approximate.

©2024 Samsung Electronics America, Inc., 85 Challenger Road, Ridgefield Park, NJ 07660. Tel: 800-SAMSUNG. samsung.com. Samsung is a registered trademark of Samsung Electronics Co., Ltd.