

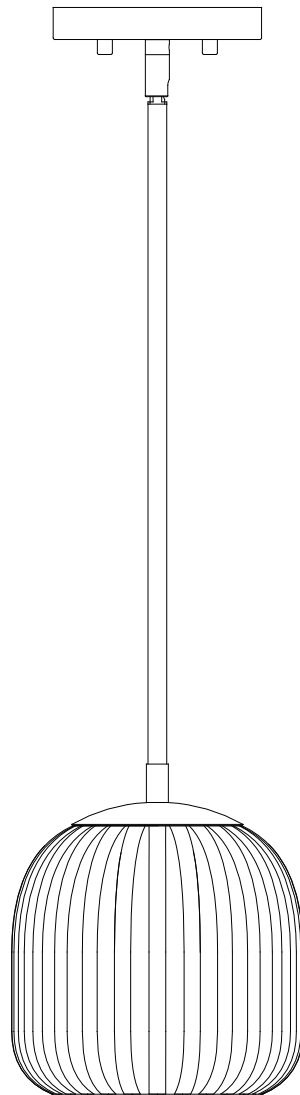
110V

Installation & Operating Instructions for the  
Owner's Installation ,Manual

**WARNING: SHUT POWER OFF AT FUSE OR CIRCUIT BREAKER**

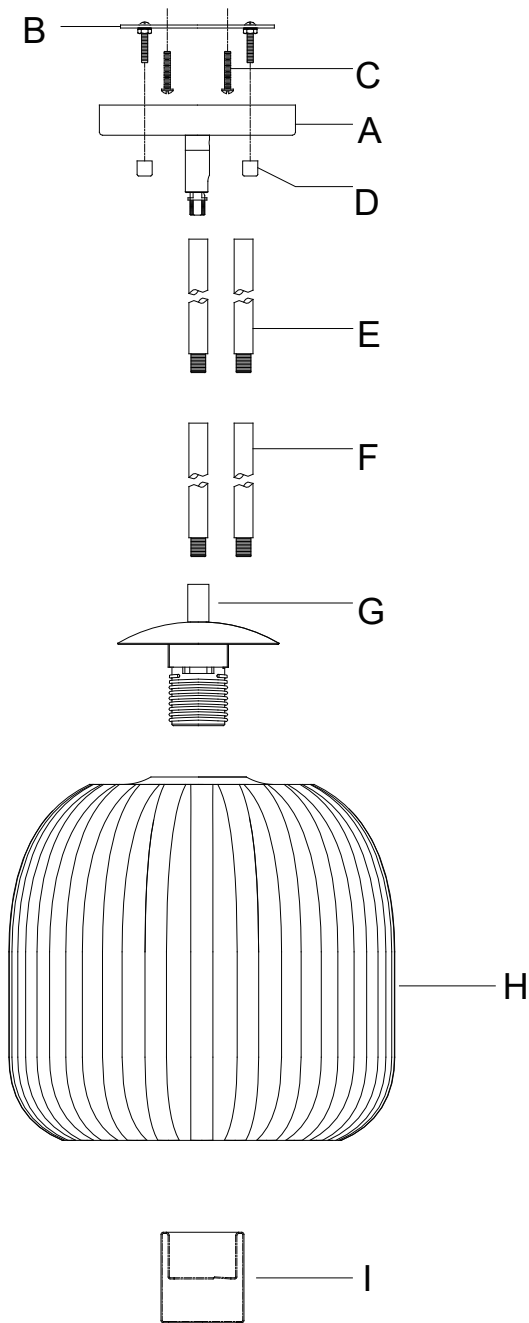
110V

# Pendant Lighting



**WARNING: SHUT POWER OFF AT FUSE OR CIRCUIT BREAKER**

**PACKAGE CONTENTS**



PART	DESCRIPTION	QTY.	PART	DESCRIPTION	QTY.
A	Canopy	1	G	Socket assembly	1
B	Mounting bracket	1	H	Shade	1
C	Outlet box screw	2	I	Socket collar	1
D	Mounting ball	2			
E	6 In. rod	2			
F	12 In. rod	2			

**WARNING: SHUT POWER OFF AT FUSE OR CIRCUIT BREAKER****HARDWARE CONTENTS**

---

**AA**

Wire  
Connector  
Qty: 3

**! SAFETY INFORMATION**

---

Please read and understand this entire manual before attempting to assemble, operate or install the product.

**! WARNING**

- . IMPORTANT: NEVER attempt any work without shutting off the electricity.
- . Place the main power switch in the "OFF" position and unscrew the fuse(s), or switch "OFF" the circuit breaker switch(es), that control the power to the fixture or room you are working in.
- . Place the wall switch in the "OFF" position. If the fixture to be replaced has a switch or pull chain, place it in the "OFF" position.
- . Do not use bulbs with wattage greater than specified on this fixture.
- . California Prop. 65: This lighting fixture contains chemicals known to the state of California to cause cancer, birth defects, and/or other reproductive harm. Wash hands after use.

**CAUTION**

- . If you have any doubts about how to install this lighting fixture, or if the fixture fails to operate completely, please contact a licensed electrical contractor.
- . All parts must be used as indicated in these instructions. Do not substitute any parts, leave parts out, or use any parts that are worn out or broken. Failure to obey this instruction could invalidate ETL listing and/or C.S.A. certification of this fixture.

**PREPARATION**

---

Before beginning assembly of product, make sure all parts are present. Compare parts with package contents list and hardware contents list. If any part is missing or damaged, do not attempt to assemble the product.

**Estimated assembly time: 30 minutes to 1 hour**

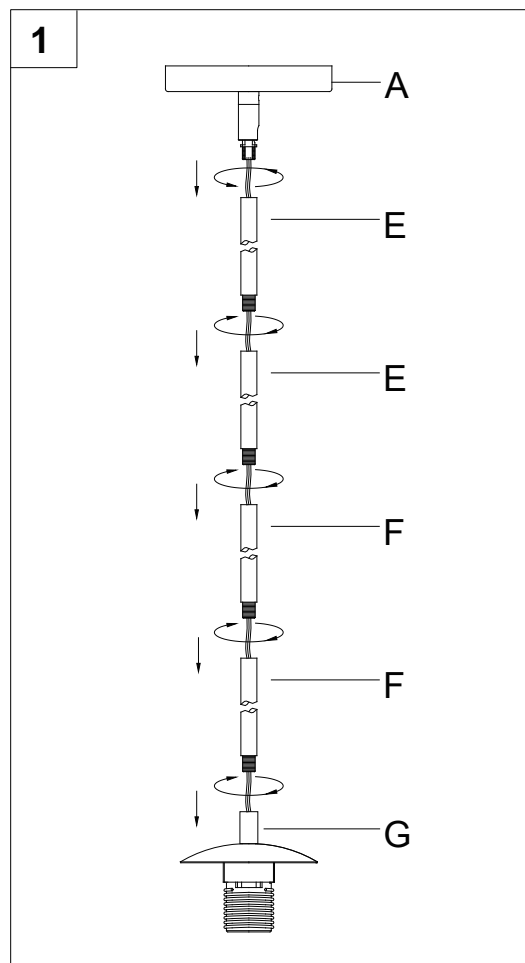
Tools Required for Assembly (not included): Phillips screwdriver, wire strippers, electrical tape, ladder.

**WARNING: SHUT POWER OFF AT FUSE OR CIRCUIT BREAKER****ASSEMBLY INSTRUCTIONS**

1. Canopy (A) 6 In. rod (E) 12 In. rod (F)

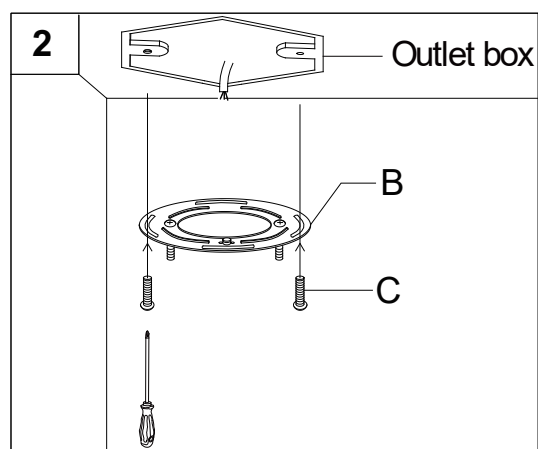
Socket assembly (G)

**Note:** Choose desired hanging length for the lamp body. Assemble the rods to the desired length. Pass the fixture wire through the rod assembly. Attach the rod assembly to the socket assembly. Hand-tighten until snug. Thread the canopy to the uppermost rod. Hand-tighten until snug.



2. Mounting bracket (B) Outlet box screw (C)

**Note:** Secure the mounting bracket to the outlet box (not included) with outlet box screws. Tighten until snug.



**WARNING: SHUT POWER OFF AT FUSE OR CIRCUIT BREAKER**

**ASSEMBLY INSTRUCTIONS**

3. Wire connection guide:  
Use the wire connectors to connect the wires.

Ground wire:

- For installation in the United States: Wrap ground wire from outlet box around ground screw preassembled on mounting bracket (B) no less than 2 in. from wire end. Tighten ground screw. If fixture is supplied with a ground wire, connect to outlet ground wire with a wire connector (AA).
- For installation in Canada: If fixture is supplied with ground wire, wrap ground wire around ground screw on mounting bracket (B). Tighten ground screw. Connect fixture ground wire to outlet ground wire with the wire connector (AA).

Supply wires:

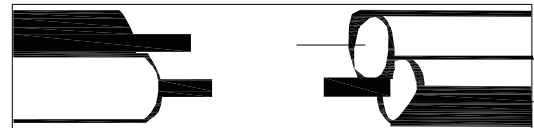
- Connect the Neutral (White) supply wire from the outlet box to the Neutral fixture wire (White or Parallel Cord "D" shaped and ribbed).
- Connect the Hot (Black) supply wire from the outlet box to the Hot fixture wire (Black or Parallel Cord round and smooth).

**NOTE:**

Fixture wires will either be:

- Black and White.
- Parallel Cord SPT-1 lamp wire with one round smooth wire and one "D" shaped ribbed wire.

BARE COPPER, OR GREEN GROUND SUPPLY WIRE	<b>AA</b> BARE COPPER, OR GREEN GROUND FIXTURE WIRE
BLACK SUPPLY WIRE	BLACK FIXTURE WIRE
WHITE SUPPLY WIRE	WHITE FIXTURE WIRE
BLACK SUPPLY WIRE	OR PARALLEL FIXTURE CORD (ROUND AND SMOOTH)
WHITE SUPPLY WIRE	PARALLEL FIXTURE CORD ("D" SHAPED AND RIBBED)



**Hardware Used**

**AA** Wire Connector

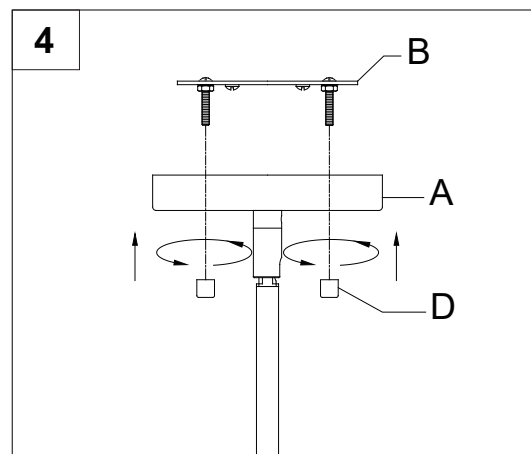


x 3

4. Mounting bracket (B) Canopy (A)

Mounting ball (D)

**Not e:** Attach the canopy to the mounting bracket.  
Secure with mounting balls.



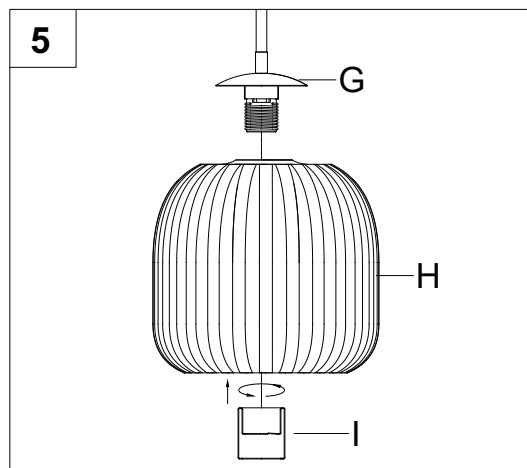
**WARNING: SHUT POWER OFF AT FUSE OR CIRCUIT BREAKER**

**ASSEMBLY INSTRUCTIONS**


5. Socket assembly (G) Shade (H)

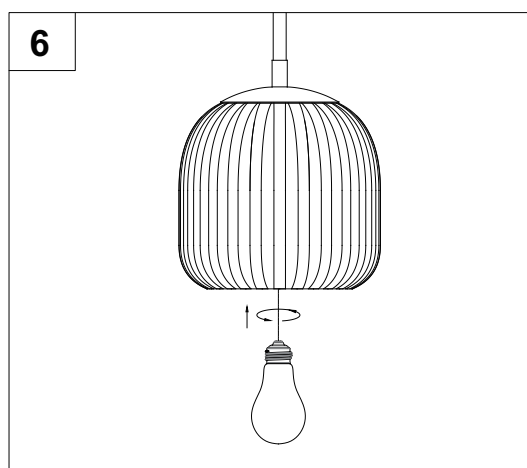
Socket collar (I)

**Note:** Remove the socket collar from the socket. Place the shade over the socket as shown. Secure by threading the socket collar onto the socket. Hand-tighten until snug.



6. Install the correct bulb (not included) referring to fixture markings and/or labels for maximum wattage.

 **NOTE:** Use one 100W maximum medium base (E26) type "A" or 16W maximum medium base (E26) self-ballasted LED bulb (sold separately).



**CARE AND MAINTENANCE**

- . Always be certain that electric current is turned off before cleaning this item.
- . Use a soft, moist cloth with mild non-abrasive soap to clean fixture. Never use glass cleaner on fixture, as it will damage the metal finish.
- . All glass shades may be washed in a towel-lined sink with warm water and mild soap. Do not wash shades in an automatic dishwasher.

**TROUBLESHOOTING**

PROBLEM	POSSIBLE CAUSE	CORRECTIVE ACTION
Fixture does not light.	1. Fixture may be wired incorrectly. 2. Worn or broken bulb.	1. Check wiring. 2. Replace bulb.