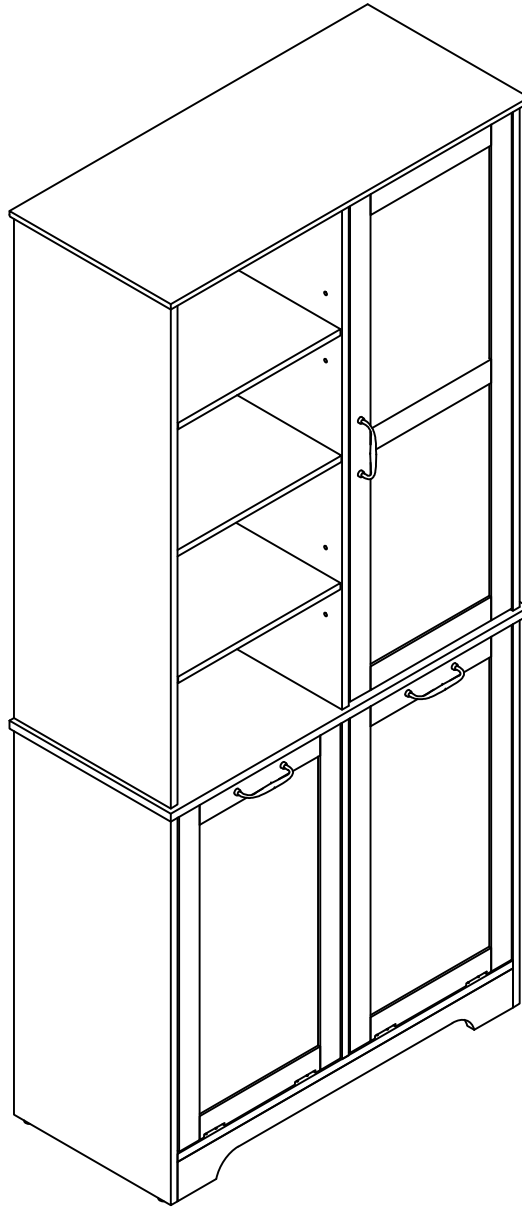

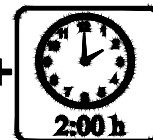
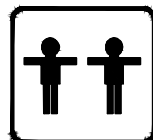


ASSEMBLY INSTRUCTIONS STORAGE CABINET



Thank you for purchasing this quality product. Be sure to check all part material carefully for small parts which may have come loose inside carton during shipment. Separate, identify and count all parts and hardware. Compare with the parts list to be sure all parts are present, "DO NOT TIGHTEN SCREWS UNTIL COMPLETELY ASSEMBLED"


* Use of power tool to assemble this product will invalidate any claim and damage this product making unsafe!!!
* Please assemble on a clean soft surface to avoid damage.



Tools Requi



(Not Included)

IMPORTANT:

**PLEASE READ INSTRUCTION BEFORE STARTING THE ASSEMBLY
VEUILLEZ LIRE LES INSTRUCTIONS AVANT DE COMMENCER L'ASSEMBLAGE**

Before Installation

Important - Please read these instructions fully before starting assembly

Thank you for purchasing this quality product. Be sure to check all packing materials carefully for small parts, which may have come loose inside the carton during shipment. Identify and count all items according to the PARTS LIST and/or HARDWARE LIST shown below. Check you have all the components and tools listed on the following pages.

. We recommend that you assemble this product with the assistance of another person; this will make the assembly easier, and will help eliminate damage to the product or injury to persons during assembly.

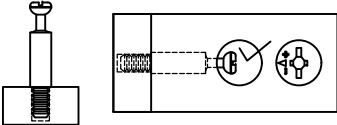
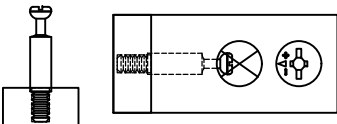
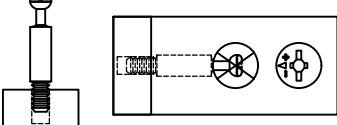
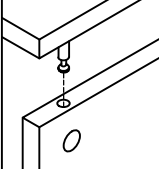
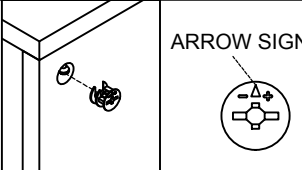
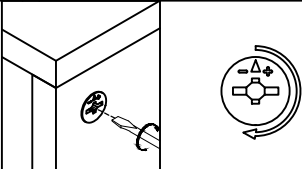
. Please do not over tighten screws or bolts until the assembly is completed.

. Keep children and animal away from the work area, small parts could choke if swallowed.

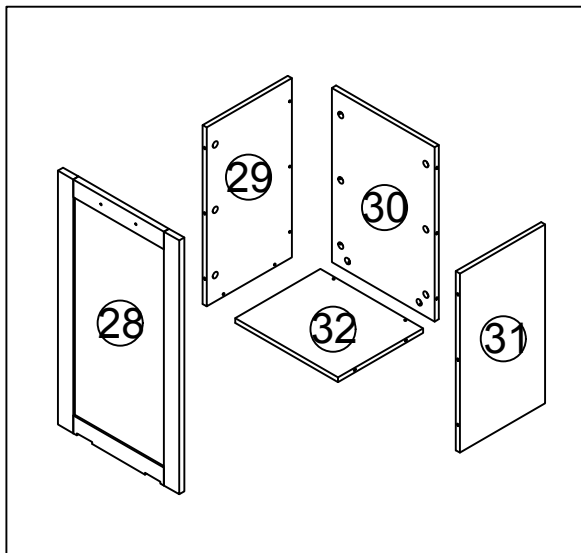
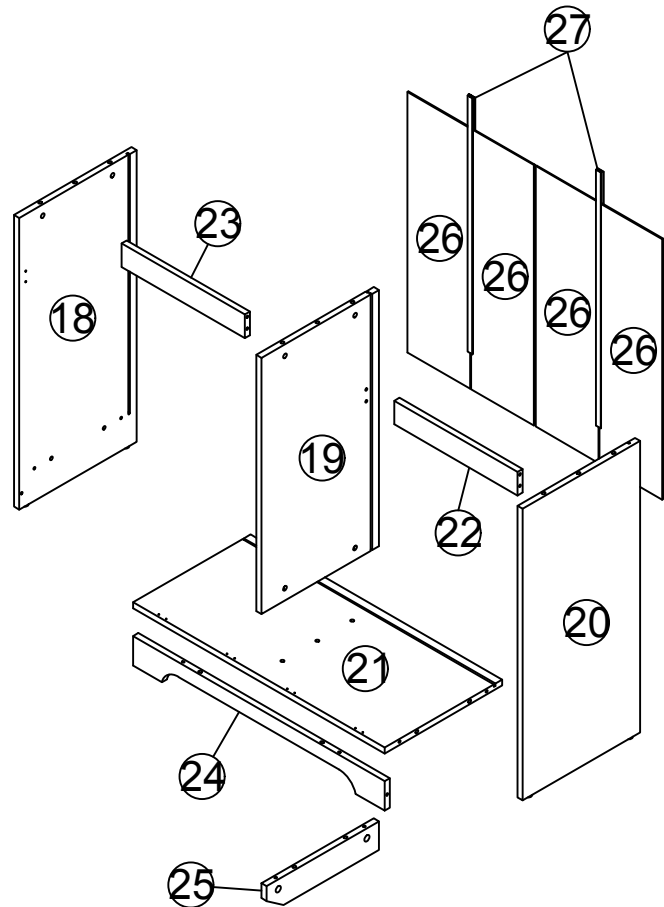
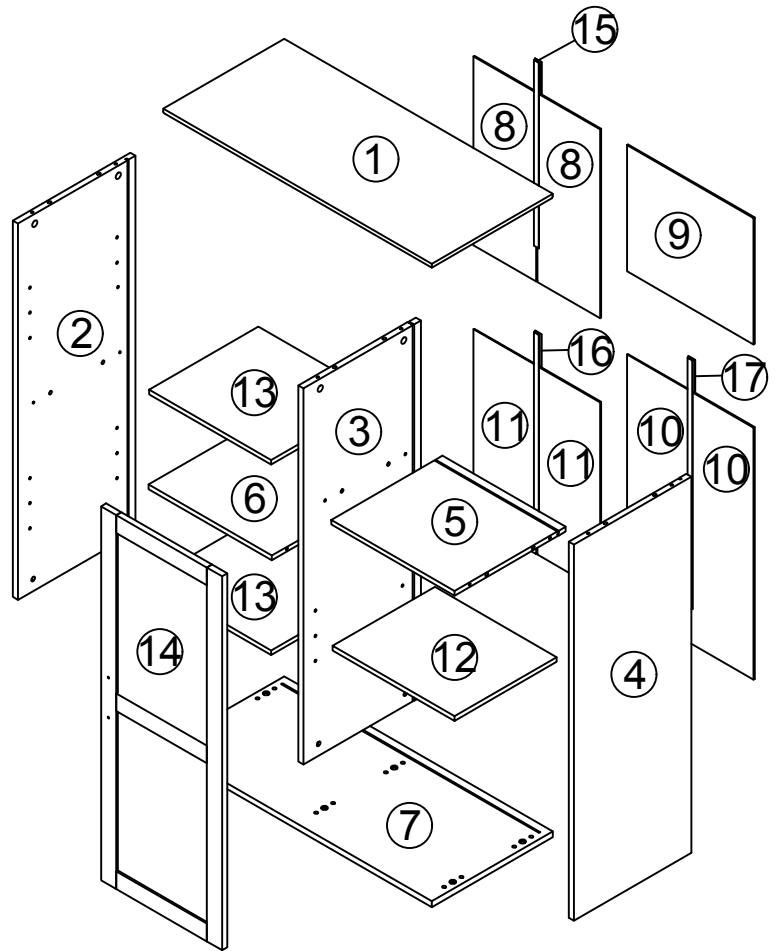
. Please put all parts on a non-abrasive floor before assembly, and follow the assembly steps to assemble your newly purchased product correctly and efficiently.

If you find that you have any trouble with assembly or missing or damaged parts please contact the seller.

Cam Lock Assembly Instructions

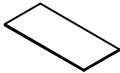







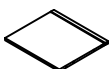

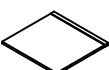


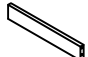
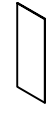
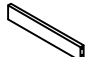
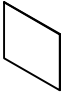

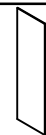
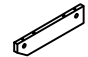
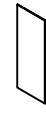

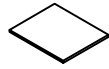

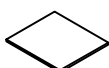





	Insert Cam Bolt into hole as shown in diagram A.
	Make sure not to insert the Cam Bolt too deep as shown in figure B as this will cause the Cam Lock to be misaligned and unable to interlock properly.
	Also avoid inserting the Cam Bolt too close to the surface of the hole as shown in figure C, as this will cause the Cam Lock to be too loose, and not interlock properly.
	Connect the panels together.
	Insert the Cam Lock so the side opening fits over the head of the Cam Bolt.
	To tighten the Cam Lock, turn it clockwise on half a turn with a flat screwdriver. <i>*Do not use an automatic screwdriver as it may bend or break if too much power is imposed.</i>

PRODUCT DETAILS

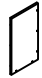
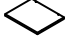


x2

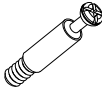
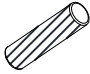

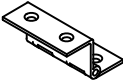



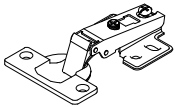
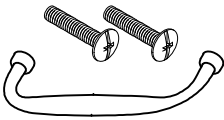

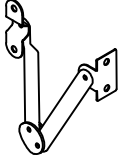
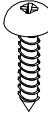




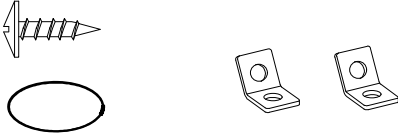
PART LIST

①	ROOF BOARD		1 PC	⑩⑥	PLASTIC SUPPORT (CENTER LEFT)		1 PC
②	TOP LEFT BOARD		1 PC	⑩⑦	PLASTIC SUPPORT (TOP RIGHT)		1 PC
③	TOP CENTER BOARD		1 PC	⑩⑧	LOWER LEFT BOARD		1 PC
④	TOP RIGHT BOARD		1 PC	⑩⑨	LOWER CENTER BOARD		1 PC
⑤	FIXED RIGHT SHELF		1 PC	⑩⑩	LOWER RIGHT BOARD		1 PC
⑥	FIXED LEFT SHELF		1 PC	⑩⑪	BOTTOM BOARD		1 PC
⑦	TOP BOTTOM BOARD		1 PC	⑩⑫	RIGT STRETCHER		1 PC
⑧	TOP LEFT BACK BOARD		2 PCS	⑩⑬	LEFT STRETCHER		1 PC
⑨	TOP RIGHT BACK BOARD		1 PCS	⑩⑭	FRONT BAR FOOT BASE		1 PC
⑩	TOP RIGHT BACK BOARD		2 PCS	⑩⑮	SUPPORT BOTTOM		1 PC
⑪	TOP LEFT BACK BOARD		2 PCS	⑩⑯	BOTTOM BACK BOARD		4 PCS
⑫	ADJUSTABLE RIGHT SHELVE		1 PC	⑩⑰	PLASTIC SUPPORT (BOTTOM)		2 PCS
⑬	ADJUSTABLE LEFT SHELVE		2 PCS	⑩⑱	DRAWER FRONT		2 PC
⑭	DOOR		1 PC	⑩⑲	DRAWER SIDE LEFT		2 PC
⑮	PLASTIC SUPPORT (TOP LEFT)		1 PC	⑩⑳	DRAWER SIDE RIGHT		2 PC

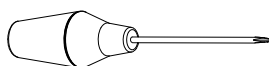
PART LIST

31	DRAWER BACK	 2 PCS
32	DRAWER BOTTOM	 2 PCS

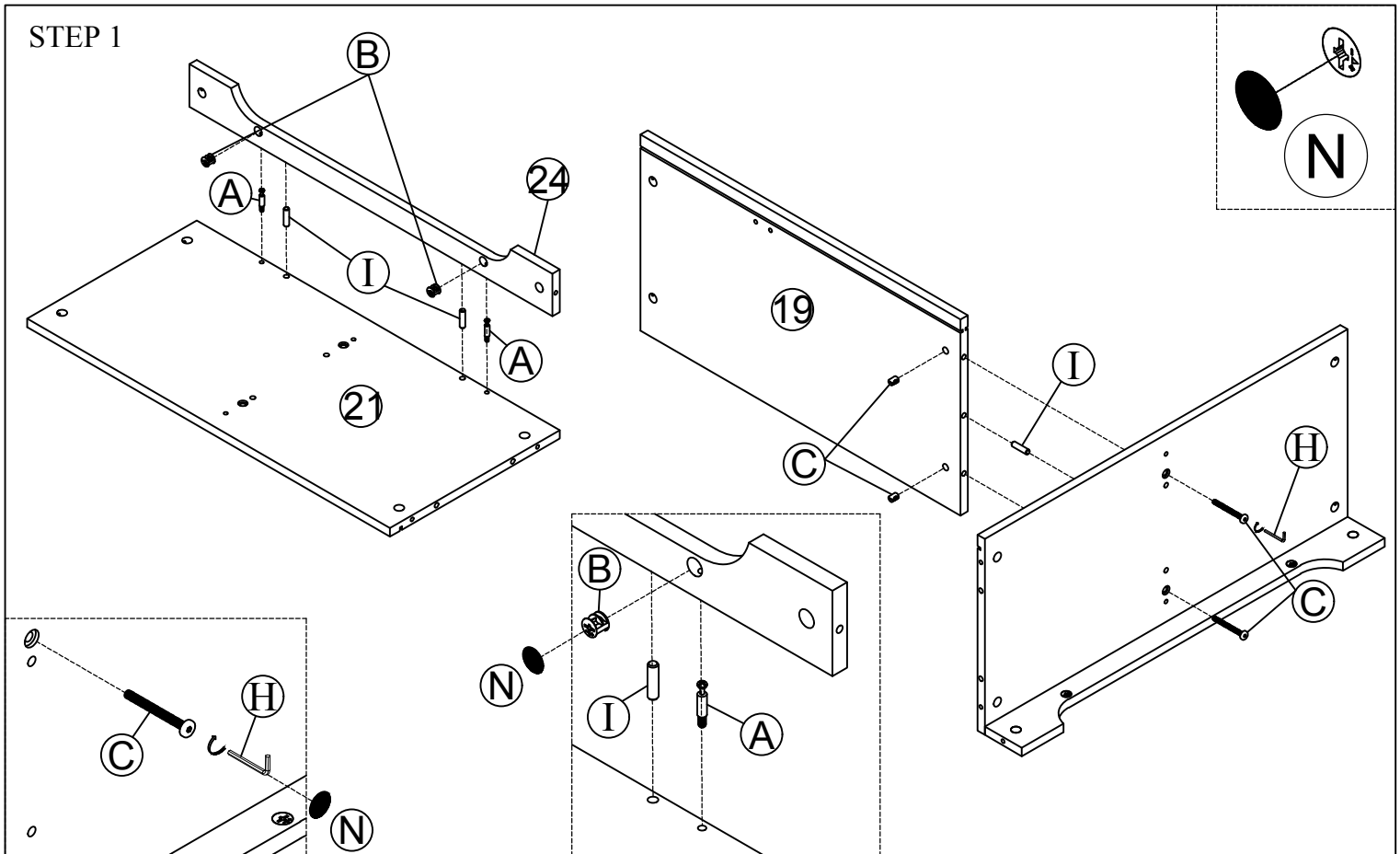
HARDWARE LIST

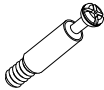





Ⓐ	Ø5*35MM		72 PCS	Ⓘ	Ø8*30MM		40 PCS
Ⓑ	Ø15*10MM		72 PCS	⓵	HINGLE		4 PCS
Ⓒ	M6*60MM		8 SETS	⓶	K1: L45MM		2 PCS
					K2: L45MM		2 PCS
Ⓓ	HINGLE		3 PCS	⓷	M4*15MM HANDLE		3 SETS
Ⓔ	Ø3.5*12MM		42 PCS	⓸	STAY ARM		2 PCS
Ⓕ	Ø3.5*12MM		16 PCS	⓹			80 PCS
Ⓖ	L15MM		12 PCS	⓺			2 SETS
Ⓗ	L 4*58MM		1 PC	⓻			

ASSEMBLY TOOLS REQUIRED (NOT INCLUDED)
OUTILS D'ASSEMBLAGE REQUIS (NON INCLUS)

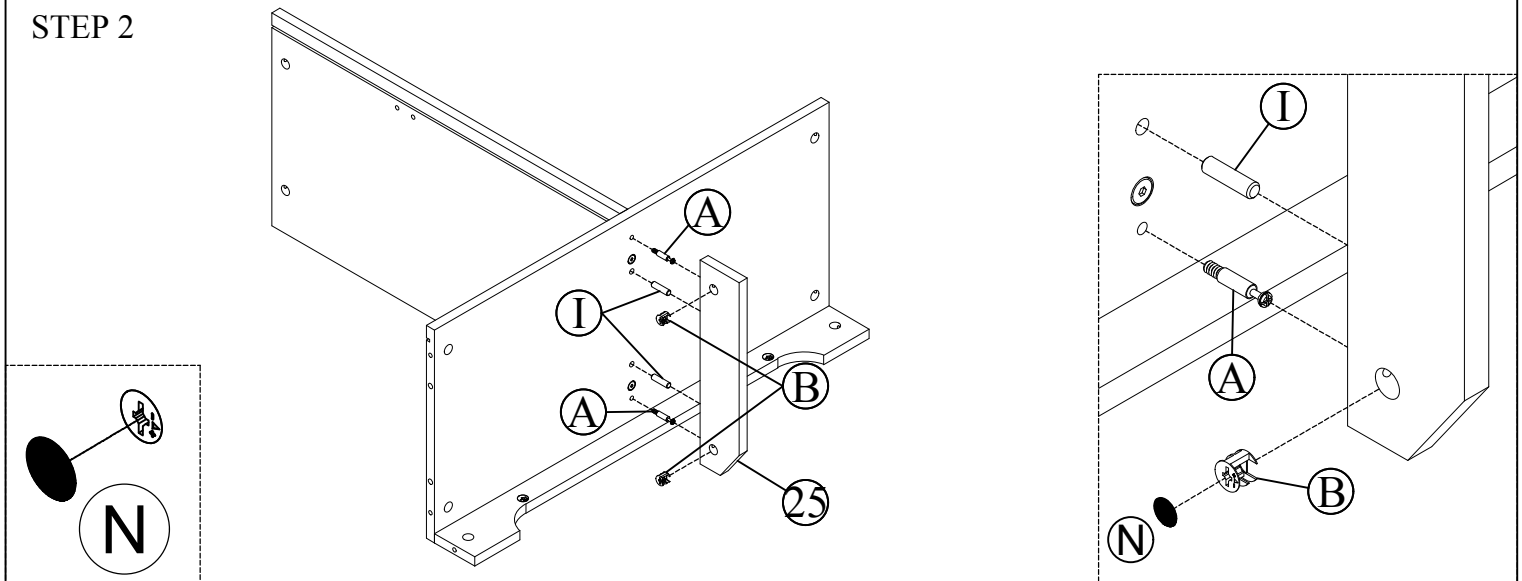


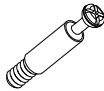



STEP 1



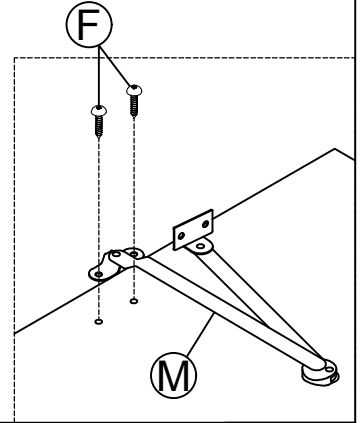
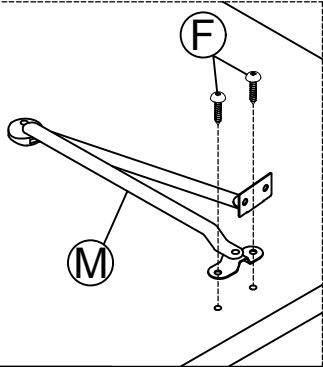
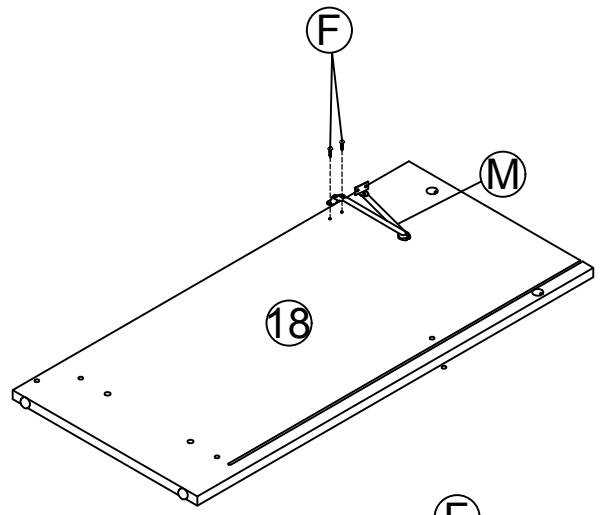
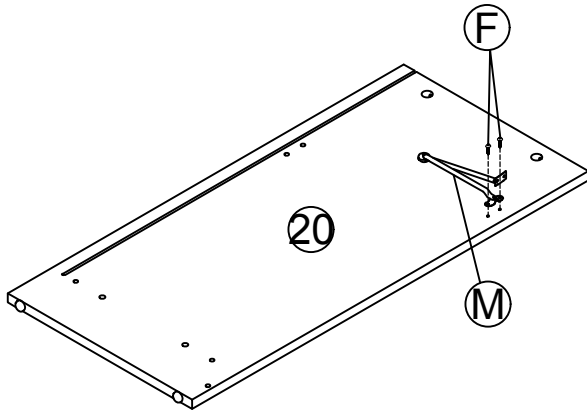
<p>(A)</p>	<p>Ø5*35MM</p> 	<p>2 PCS</p>	<p>(C)</p> <p>M6*60MM</p> 	<p>2 SETS</p>
<p>(B)</p>	<p>Ø15*10MM</p> 	<p>2 PCS</p>	<p>(H)</p> <p>L 4*58MM</p> 	<p>1 PC</p>
<p>(N)</p>		<p>4 PCS</p>	<p>(I)</p> <p>Ø8*30MM</p> 	<p>3 PCS</p>

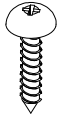
STEP 2

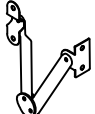


<p>(A)</p>	<p>Ø5*35MM</p> 	<p>2 PCS</p>	<p>(N)</p> 	<p>2 PCS</p>
<p>(B)</p>	<p>Ø15*10MM</p> 	<p>2 PCS</p>	<p>(I)</p> <p>Ø8*30MM</p> 	<p>2 PCS</p>

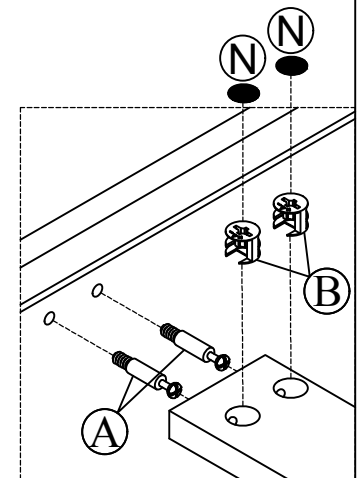
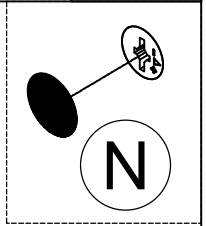
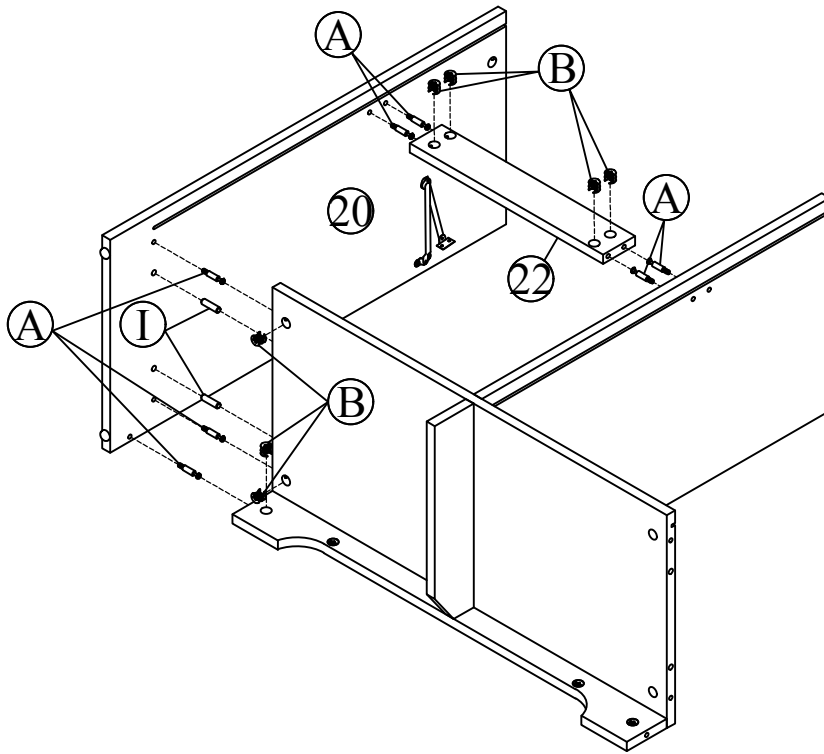
STEP 3




<p>(F)</p>	<p>Ø3.5*12MM</p>	 <p>4 PCS</p>
------------	------------------	---

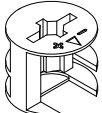
<p>(M)</p>	<p>STAY ARM</p>	 <p>2 PCS</p>
------------	-----------------	---

STEP 4



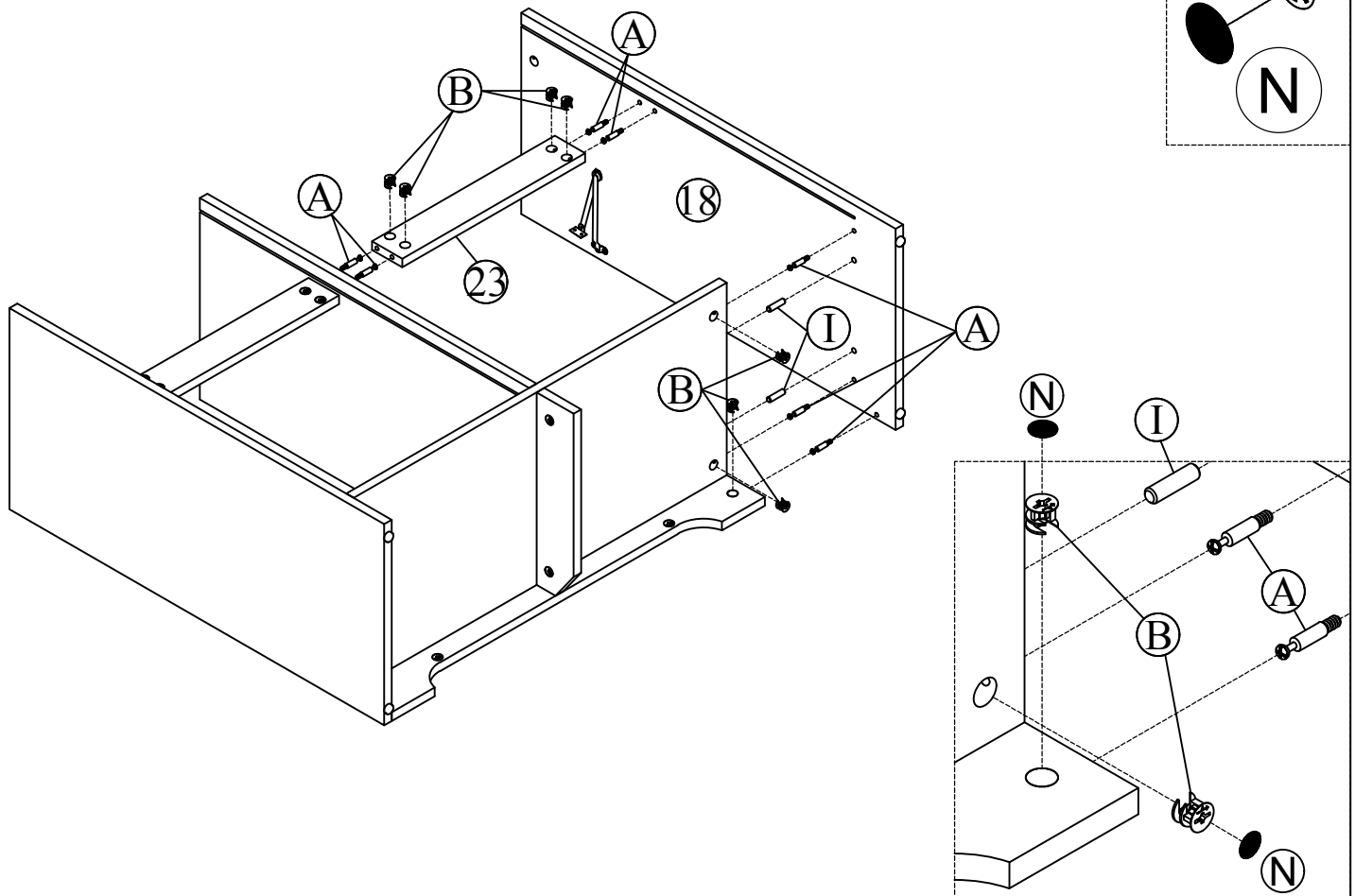
<p>(A)</p>	<p>Ø5*35MM</p>	 <p>7 PCS</p>
------------	----------------	--


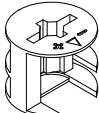
<p>(N)</p>		<p>7 PCS</p>
------------	---	--------------


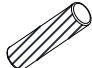
<p>(B)</p>	<p>Ø15*10MM</p>	 <p>7 PCS</p>
------------	-----------------	--

<p>(I)</p>	<p>Ø8*30MM</p>	 <p>2 PCS</p>
------------	----------------	--

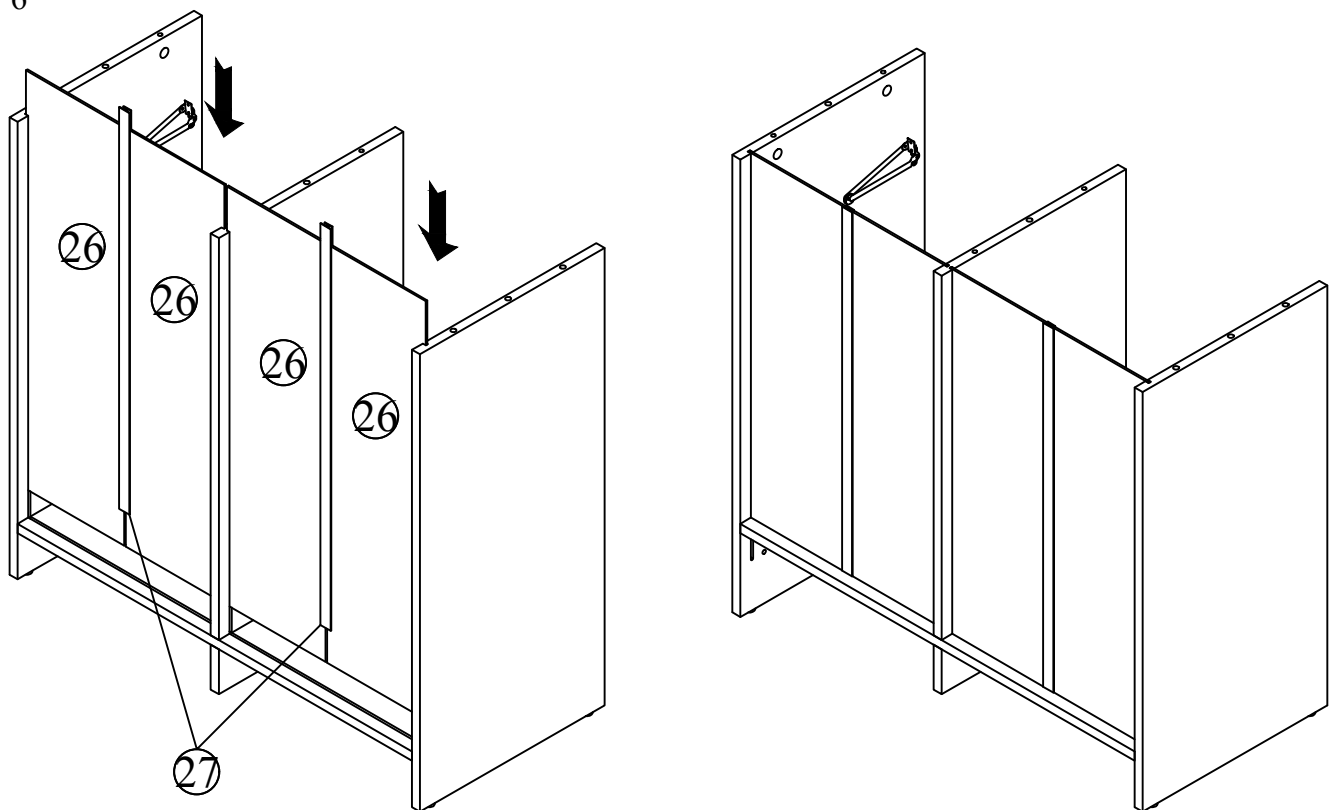
STEP 5



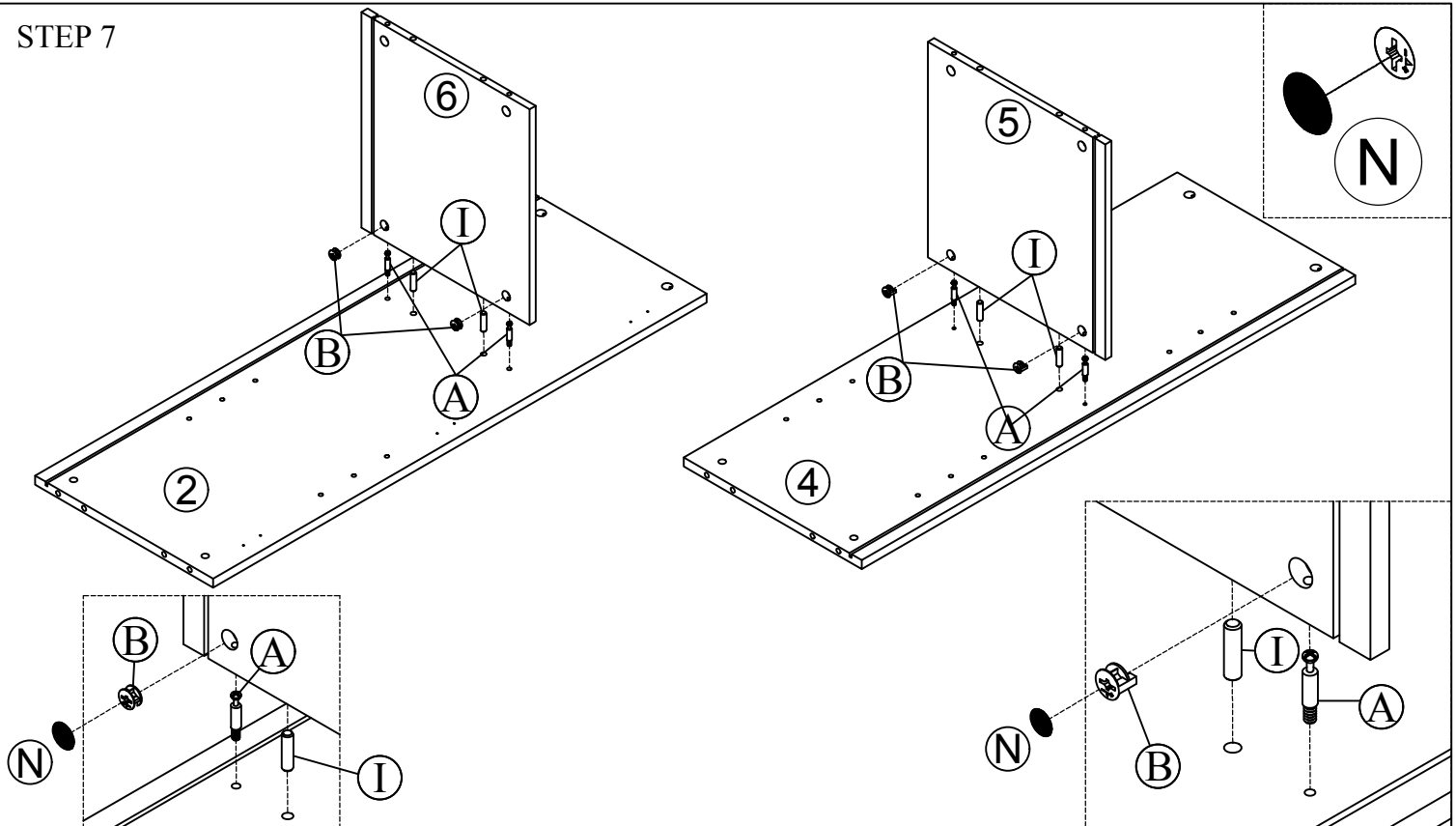
Ⓐ	Ø5*35MM		7 PCS
Ⓑ	Ø15*10MM		7 PCS



Ⓒ			7 PCS
Ⓓ	Ø8*30MM		2 PCS



STEP 6



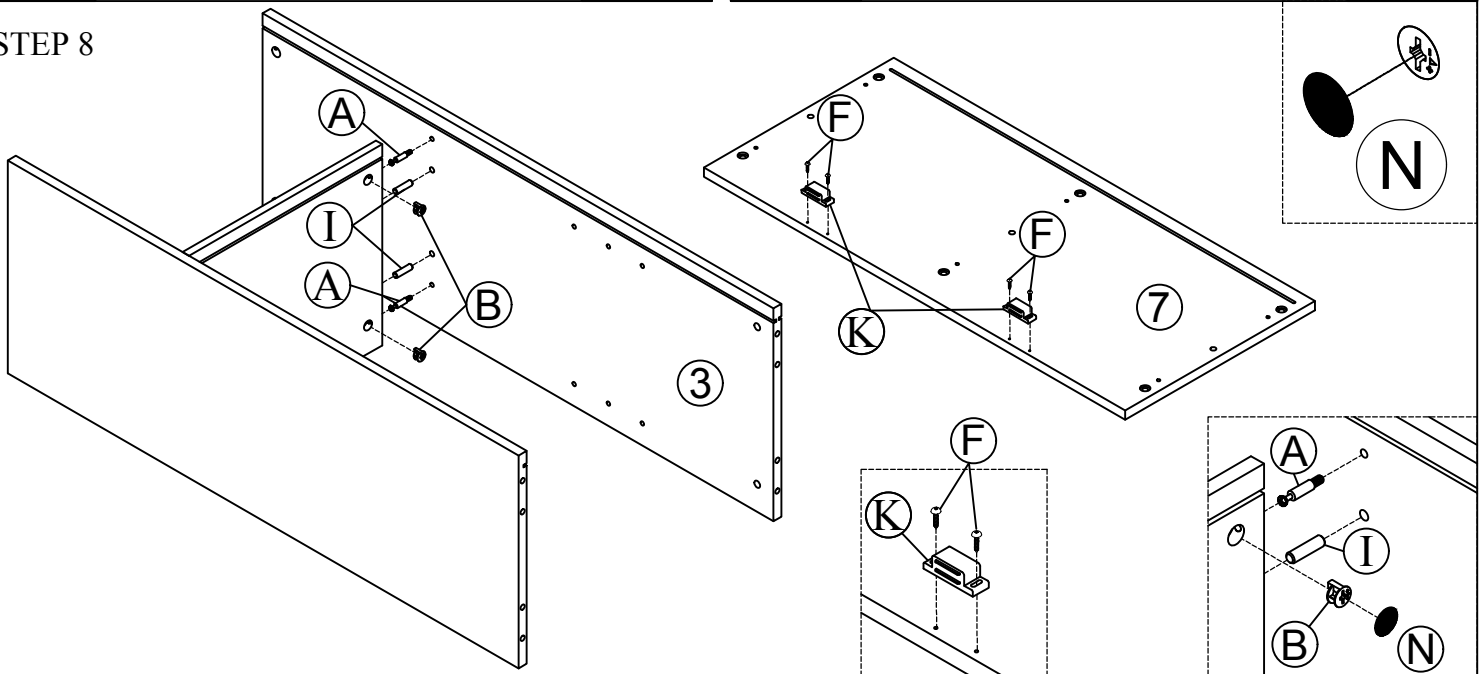
STEP 7


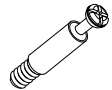






(A)	Ø5*35MM		4 PCS
(B)	Ø15*10MM		4 PCS

(N)			4 PCS
(I)	Ø8*30MM		4 PCS

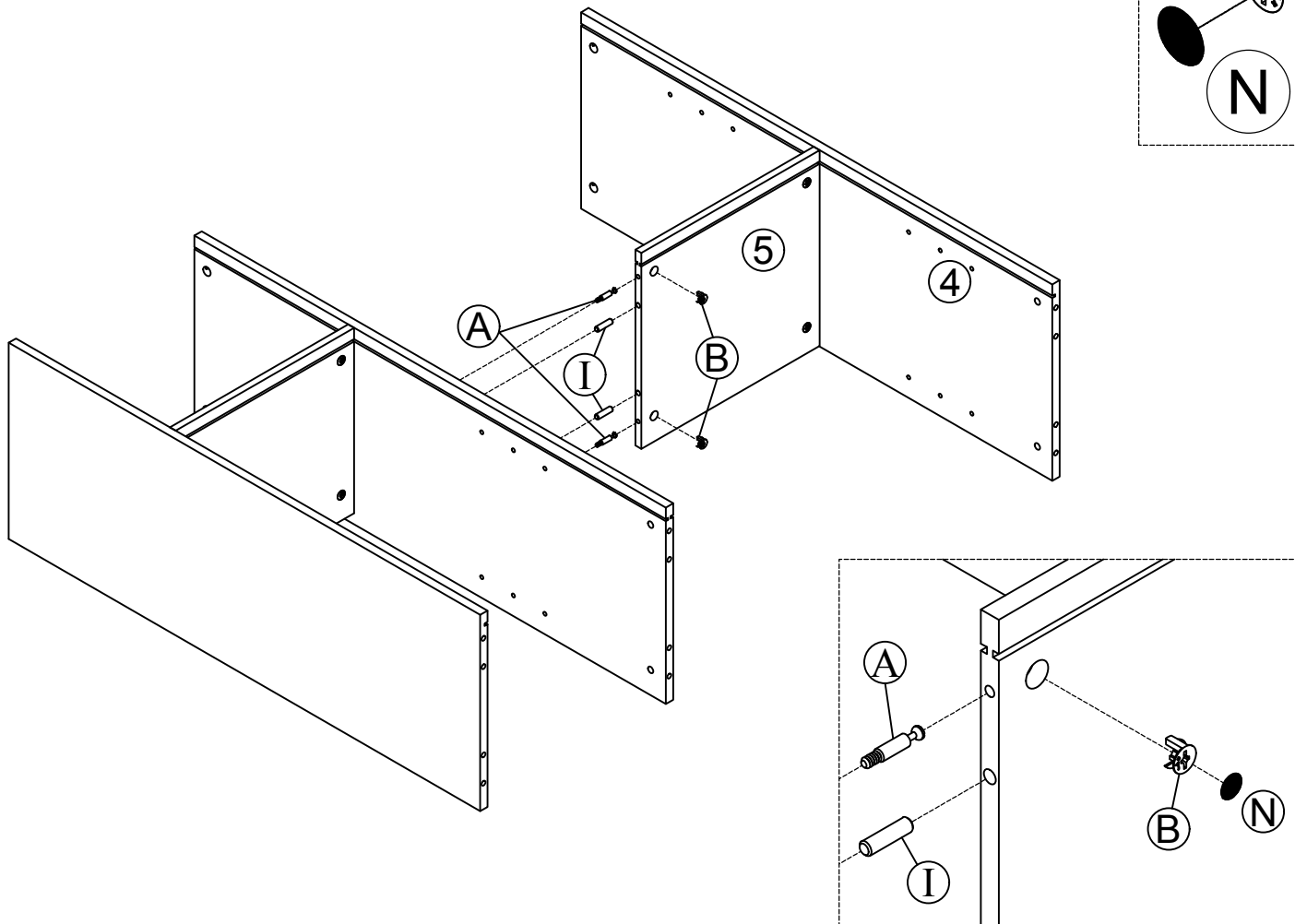
STEP 8







(N)			2 PCS
(A)	Ø5*35MM		2 PCS
(B)	Ø15*10MM		2 PCS

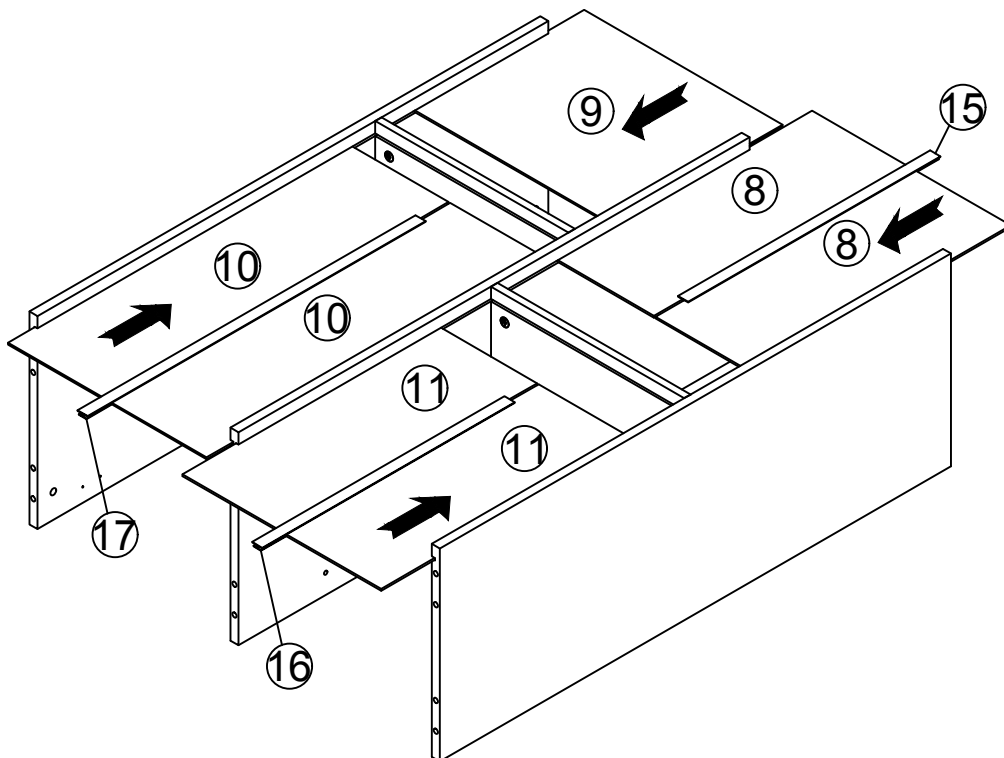
(F)	Ø3.5*12MM		4 PCS
(I)	Ø8*30MM		2 PCS
(K)	K1: L45MM		2 PCS

STEP 9

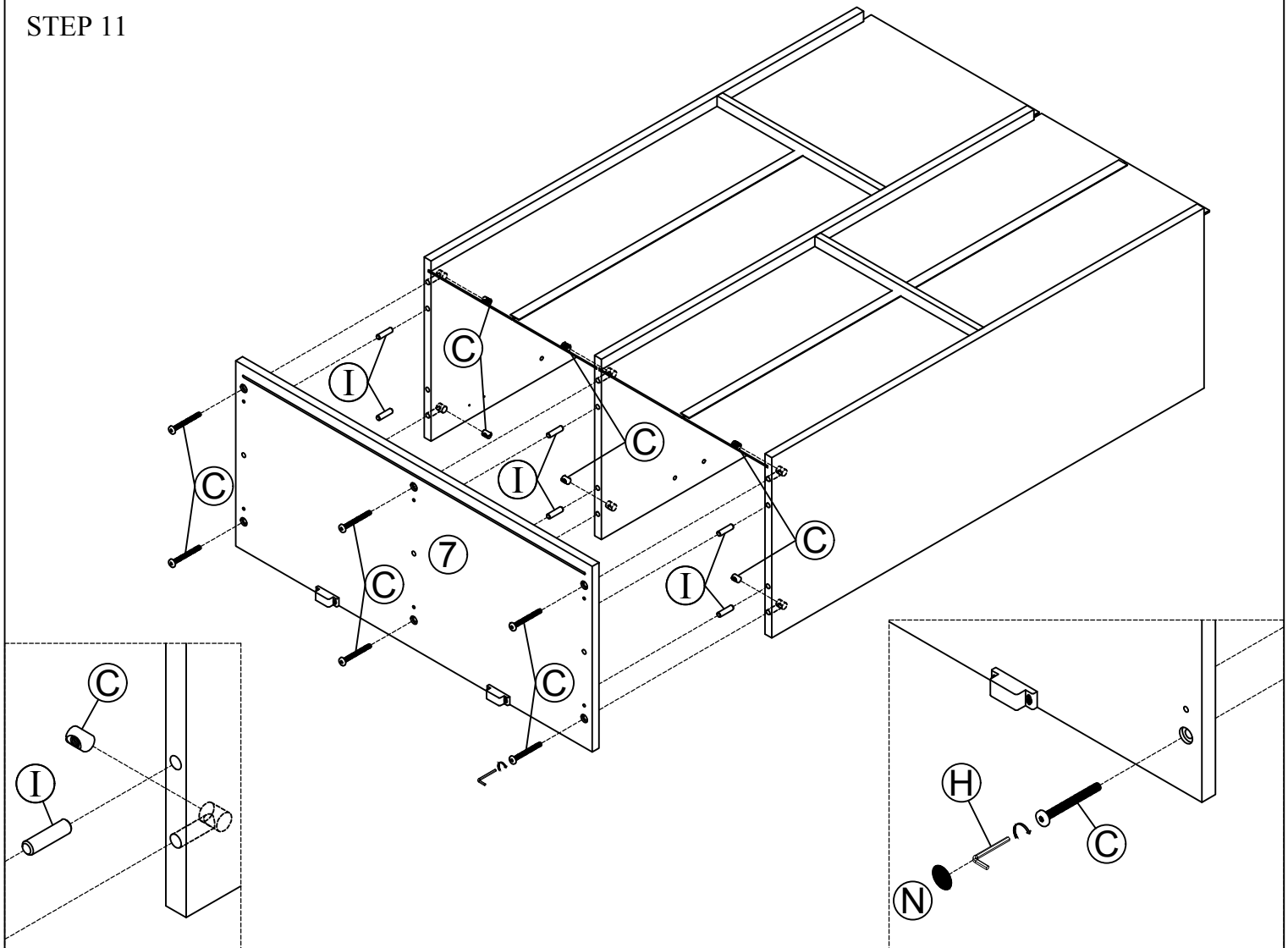





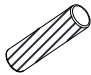
Ⓐ	Ø5*35MM		2 PCS	Ⓝ		2 PCS
Ⓑ	Ø15*10MM		2 PCS	Ⓡ	Ø8*30MM	 2 PCS

STEP 10

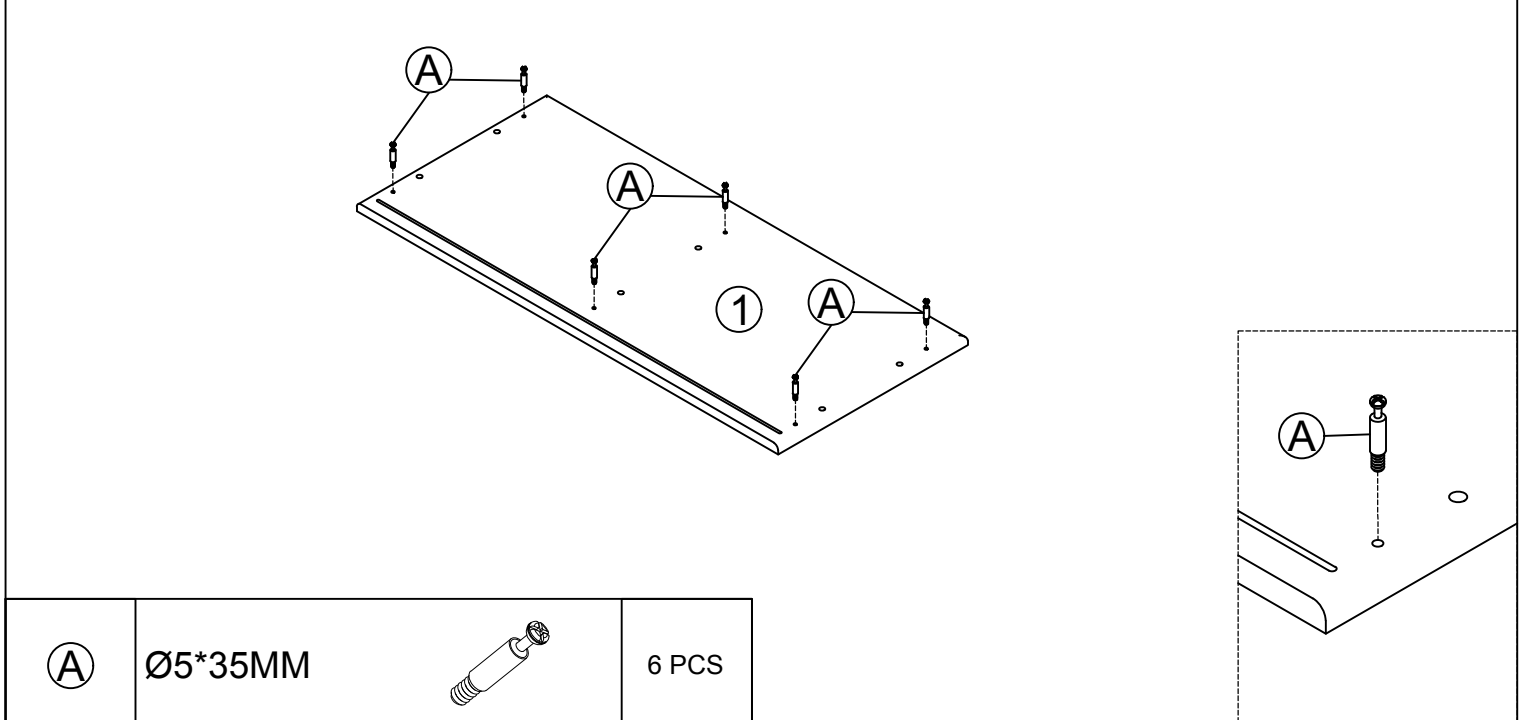


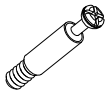
STEP 11



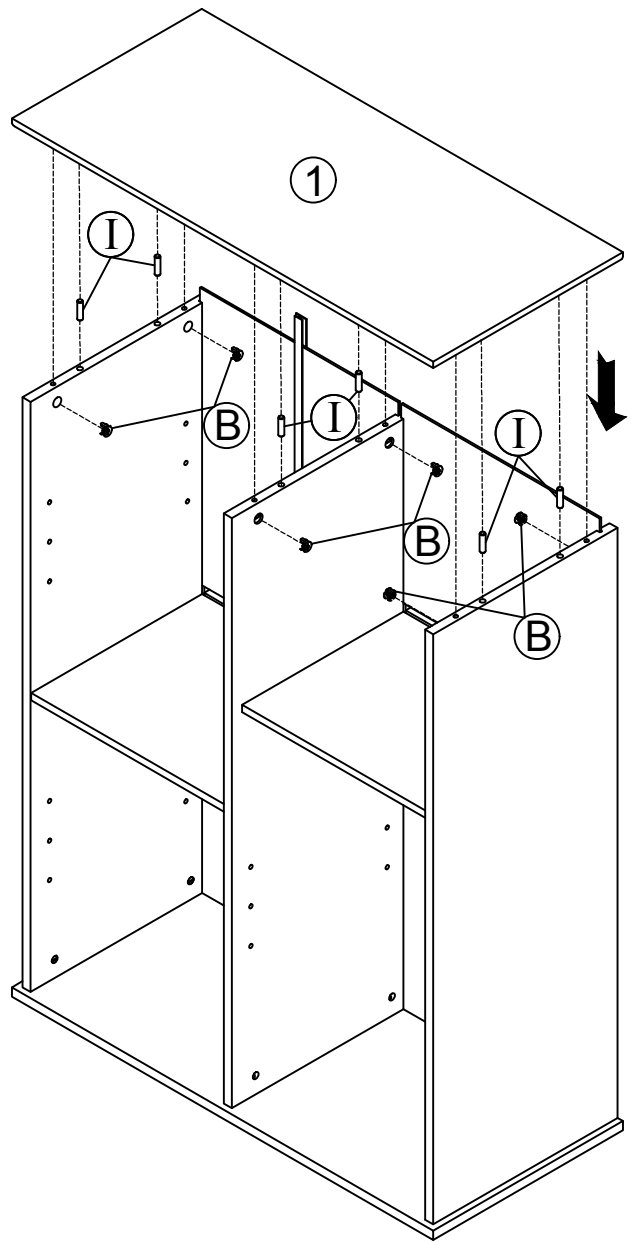
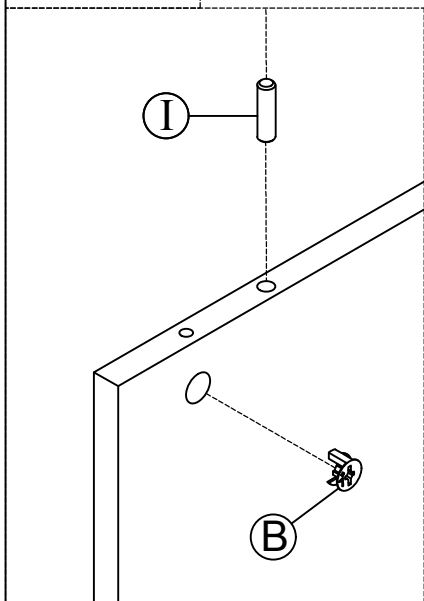
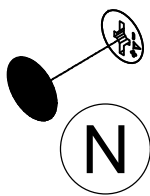
<p>Ⓝ</p>	 <p>6 PCS</p>	<p>Ⓜ</p> <p>L 4*58MM</p>  <p>1 PC</p>
<p>Ⓒ</p>	<p>M6*60MM</p>  <p>6 SETS</p>	<p>Ⓢ</p> <p>Ø8*30MM</p>  <p>6 PCS</p>


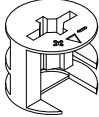

STEP 12



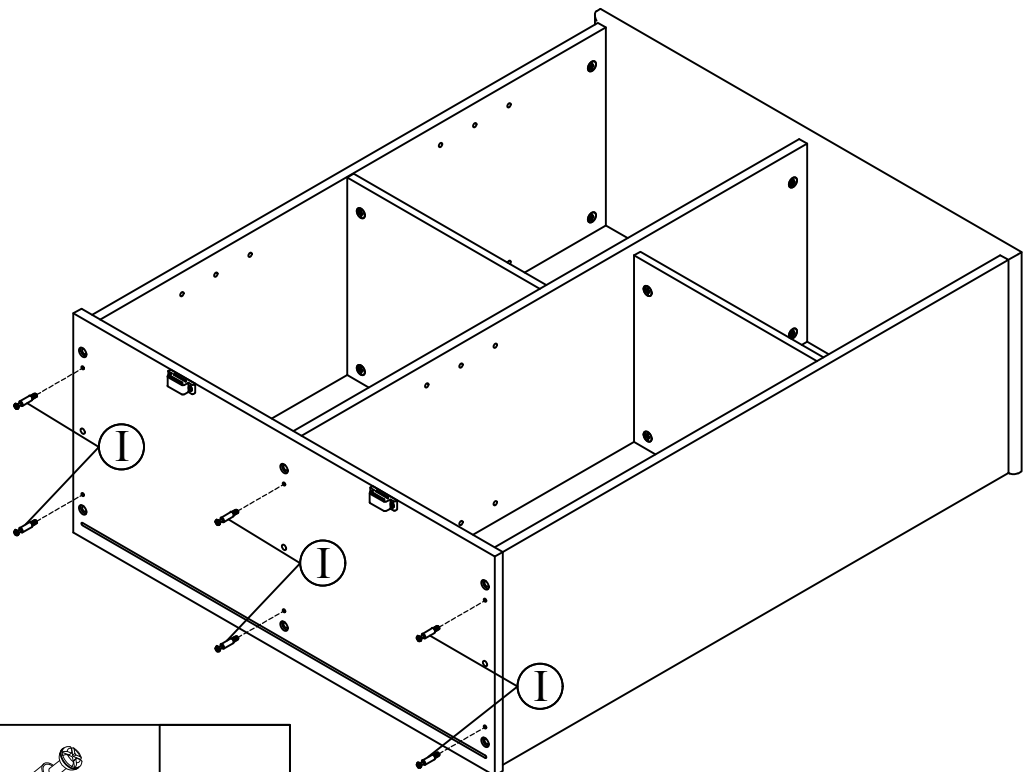
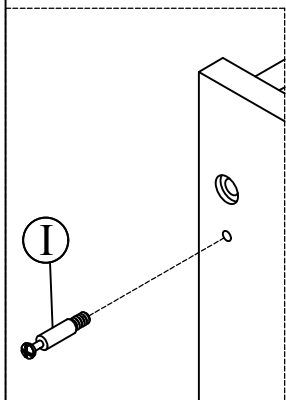
<p>Ⓐ</p>	<p>Ø5*35MM</p>  <p>6 PCS</p>
----------	---

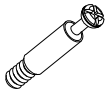
STEP 13



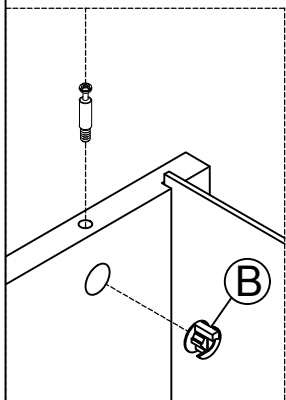
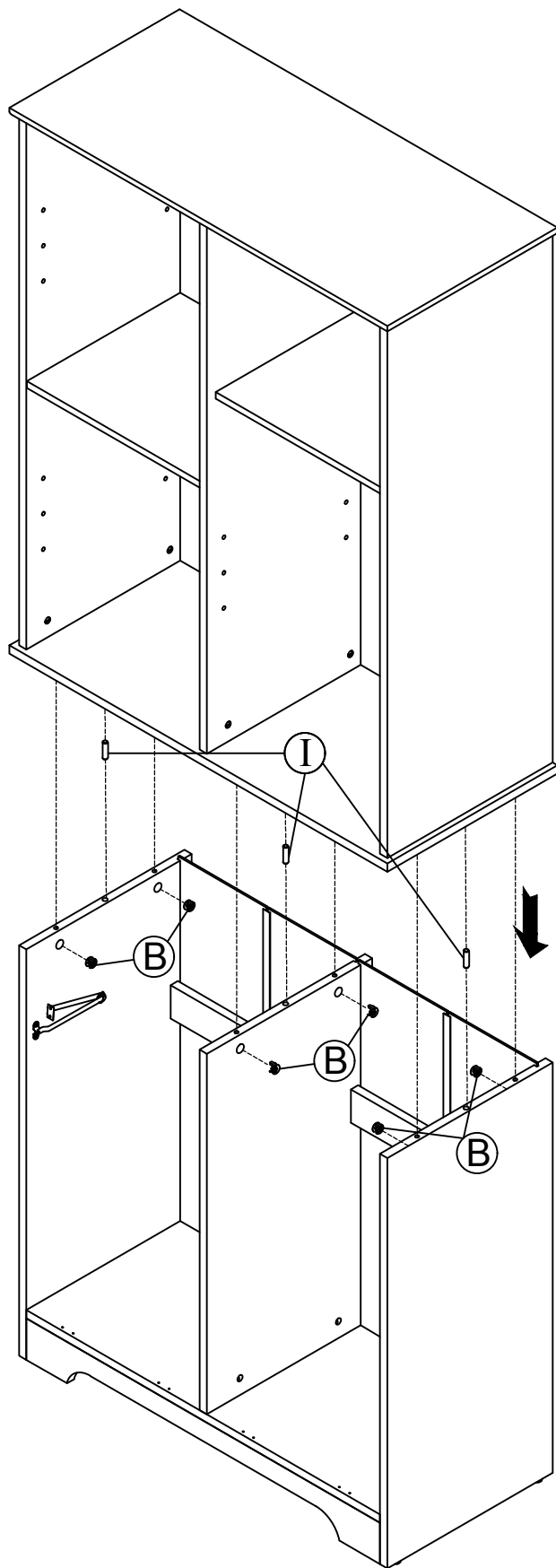
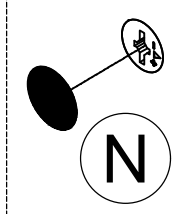
<p>(N)</p>		<p>6 PCS</p>
<p>(B)</p>	<p>Ø15*10MM</p> 	<p>6 PCS</p>
<p>(I)</p>	<p>Ø8*30MM</p> 	<p>6 PCS</p>

STEP 14



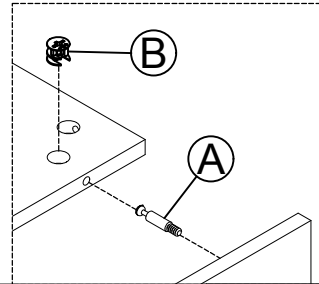
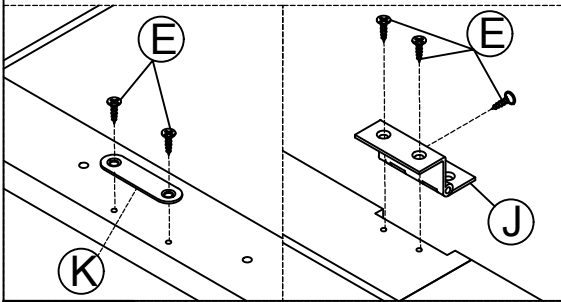
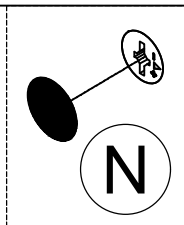
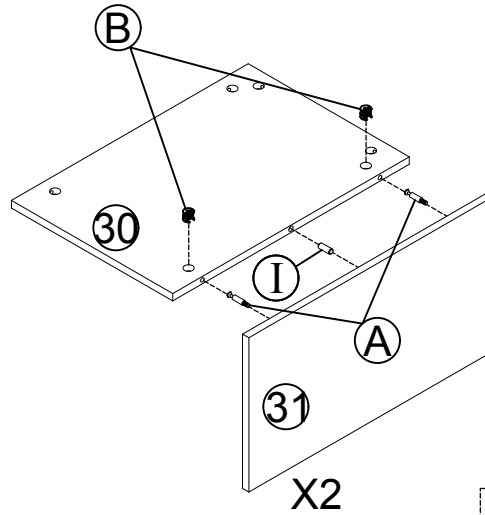
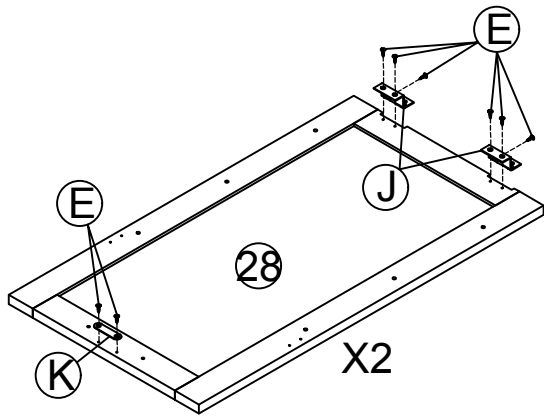
<p>(I)</p>	<p>Ø5*35MM</p> 	<p>6 PCS</p>
------------	--	--------------

STEP 15



<p>(B)</p>	<p>Ø15*10MM</p>		<p>6 PCS</p>	<p>(N)</p>		<p>6 PCS</p>
				<p>(I)</p>	<p>Ø8*30MM</p>	<p>3 PCS</p>

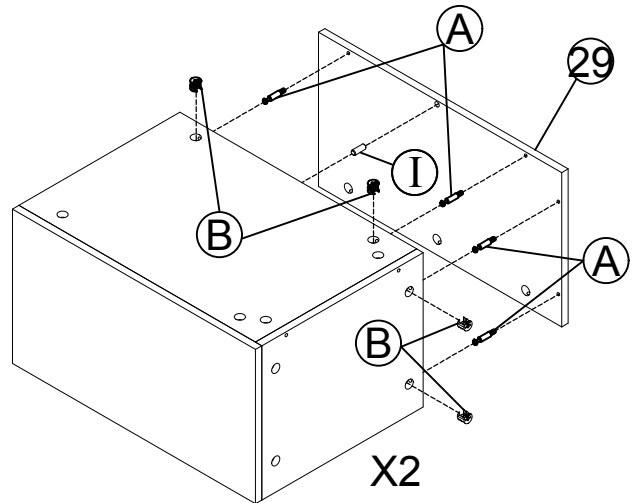
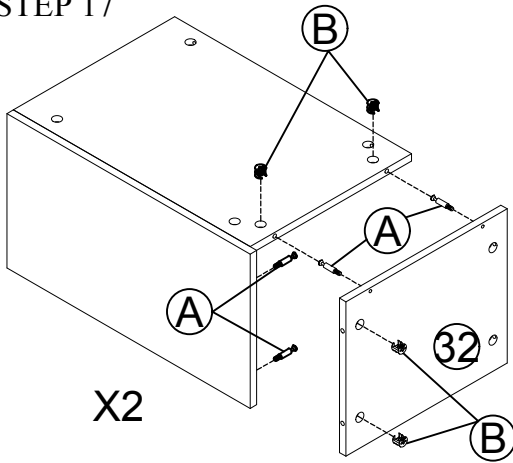
STEP 16



(A)	Ø5*35MM		4 PCS
(B)	Ø15*10MM		4 PCS
(E)	Ø3.5*12MM		16 PCS

(N)			4 PCS
(I)	Ø8*30MM		2 PCS
(J)	HINGLE		4 PCS
(K)	K2: L45MM		2 PCS

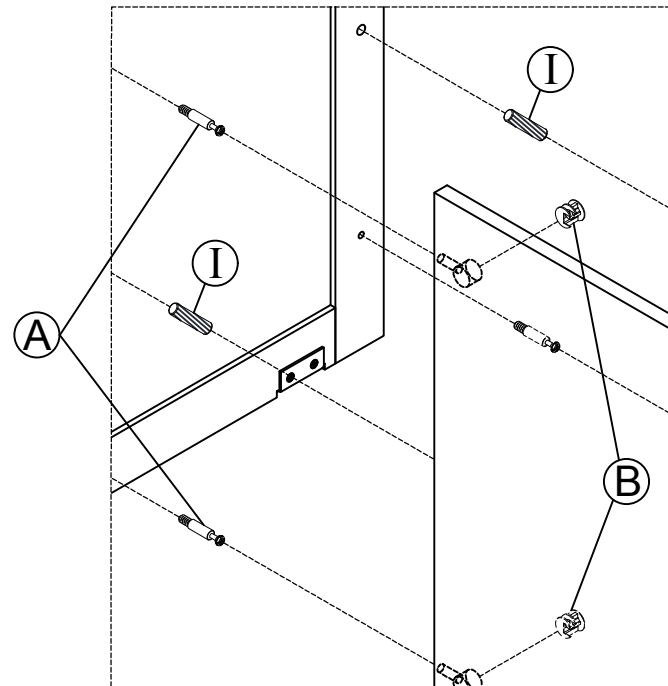
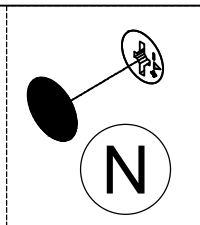
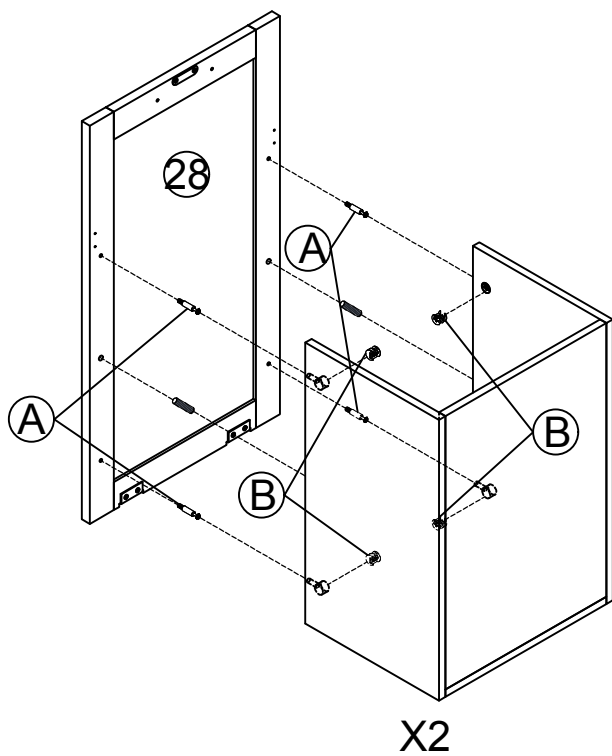
STEP 17

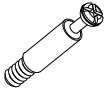



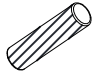

(A)	Ø5*35MM		16 PCS
(B)	Ø15*10MM		16 PCS

(N)			16 PCS
(I)	Ø8*30MM		2 PCS

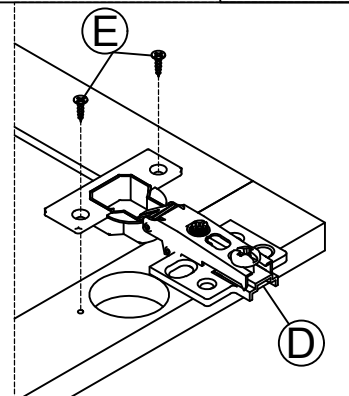
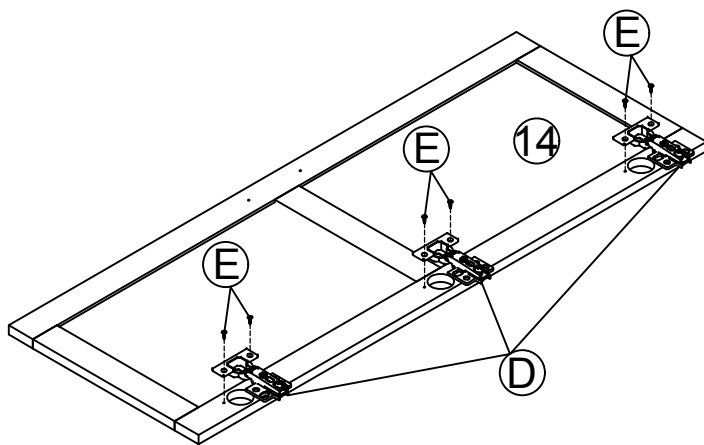
STEP 18




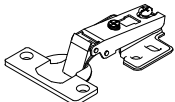
Ⓐ	Ø5*35MM		8 PCS
Ⓑ	Ø15*10MM		8 PCS

⒩	Ø8*30MM		4 PCS
⒩		8 PCS	

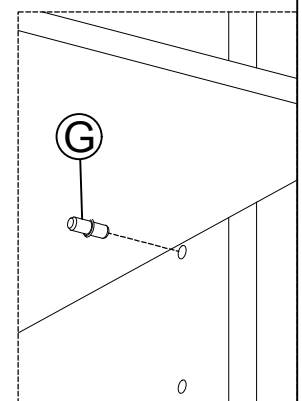
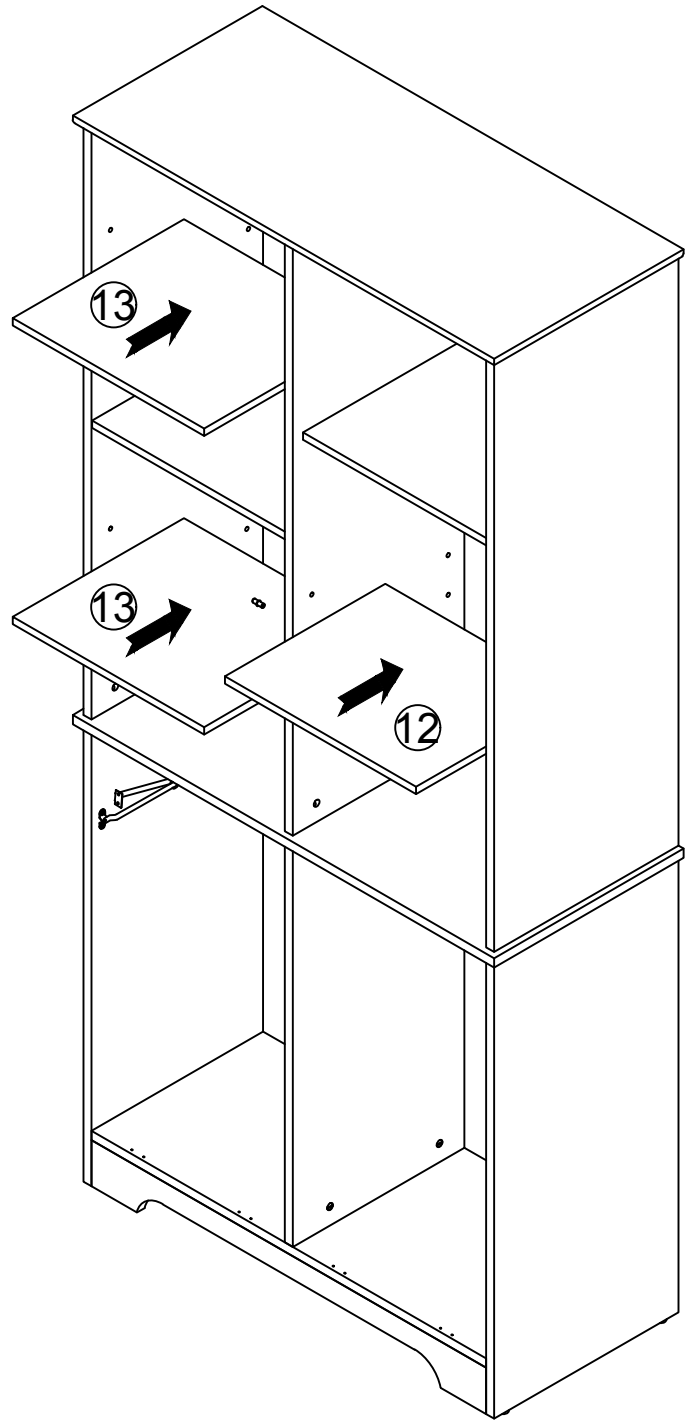
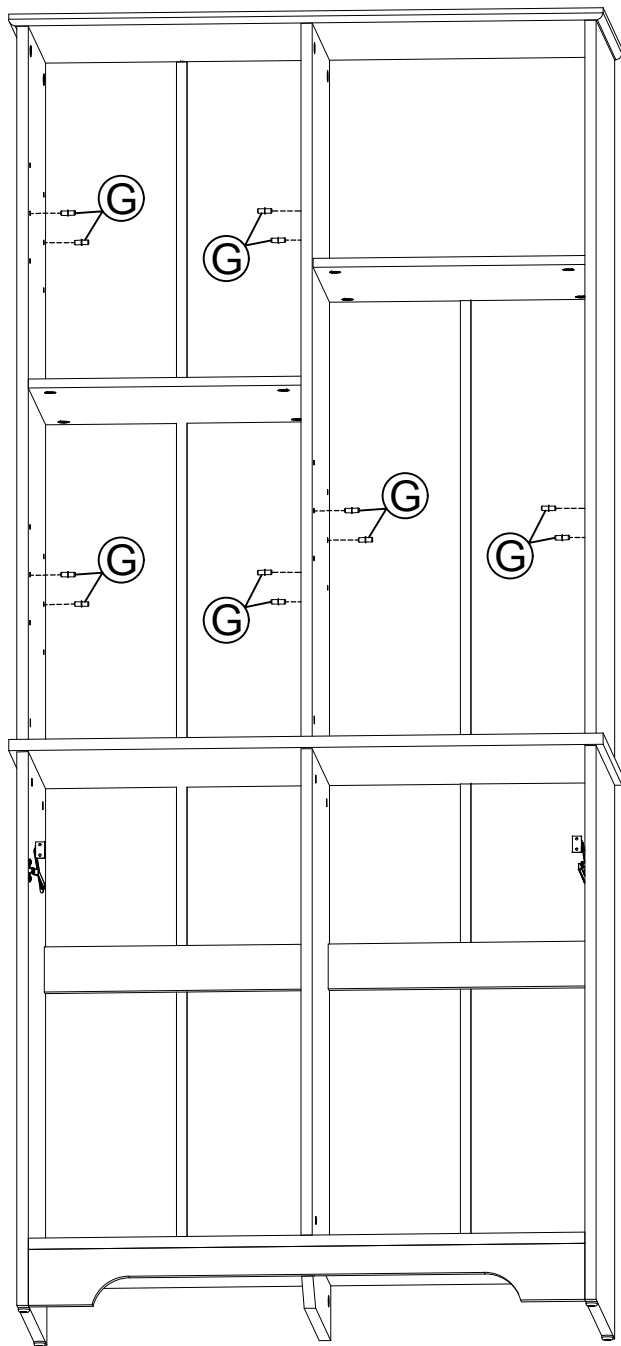
STEP 19



Ⓔ	Ø3.5*12MM		6 PCS
---	-----------	---	-------

Ⓓ	HINGLE		3 PCS
---	--------	---	-------

STEP 20



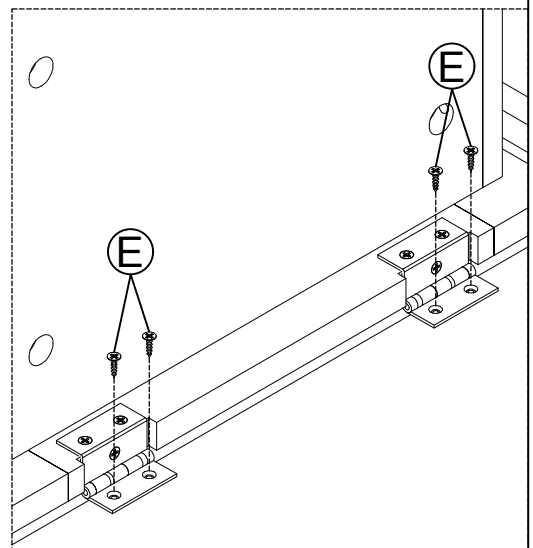
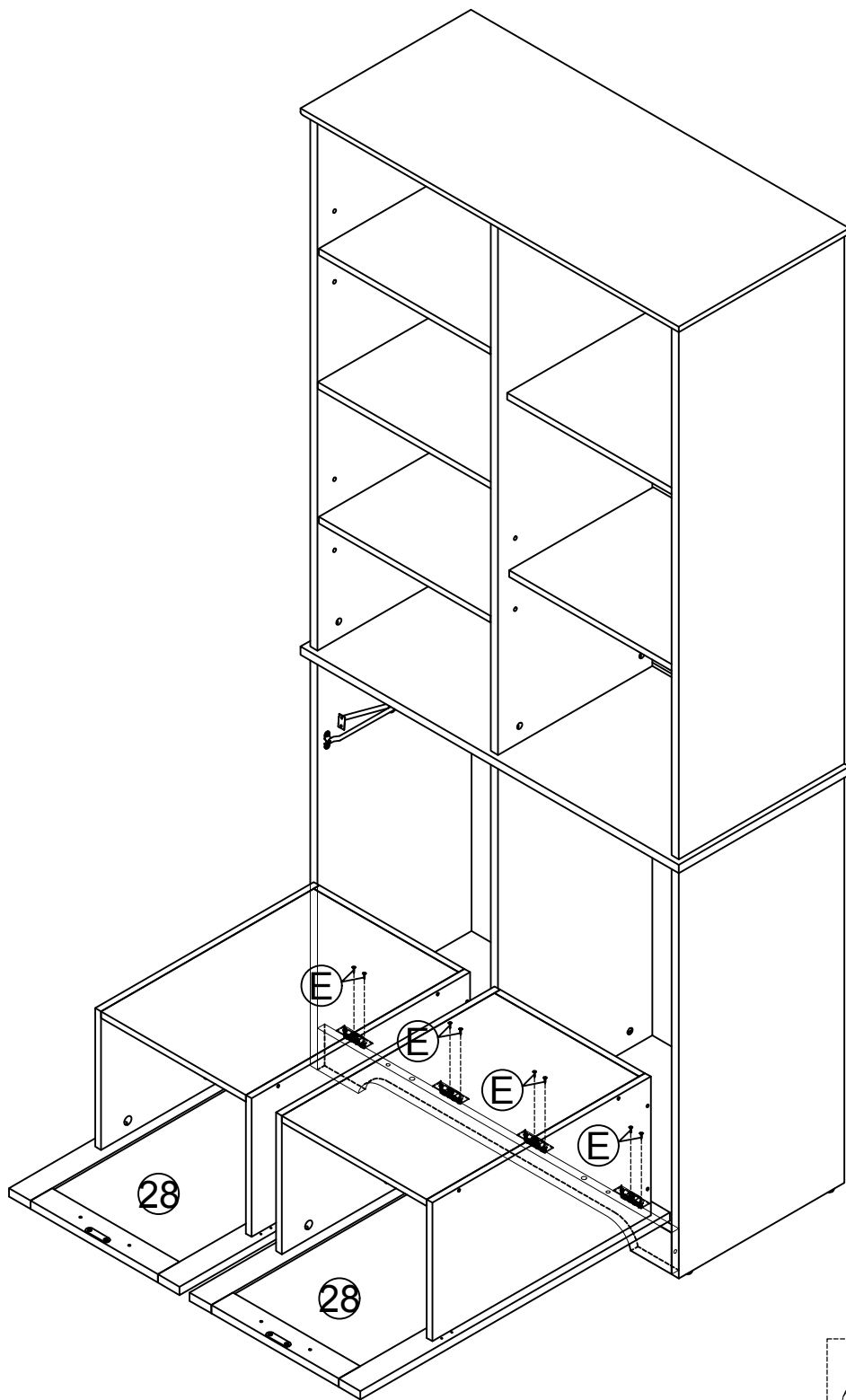
G

L15MM



12 PCS

STEP 21



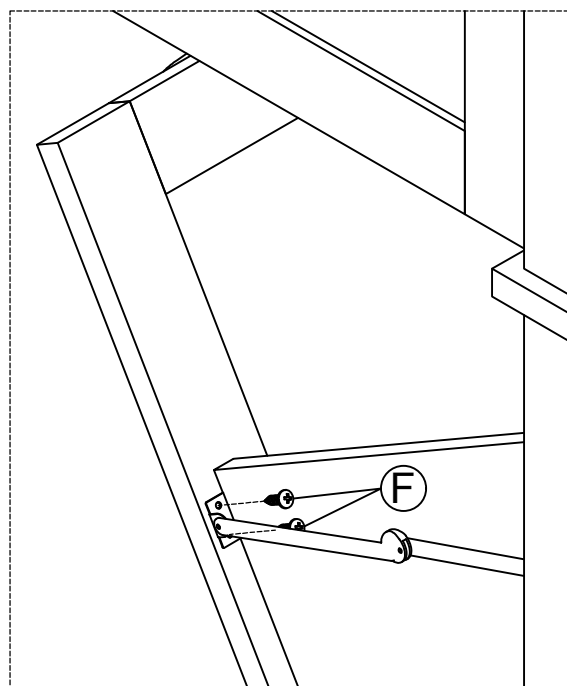
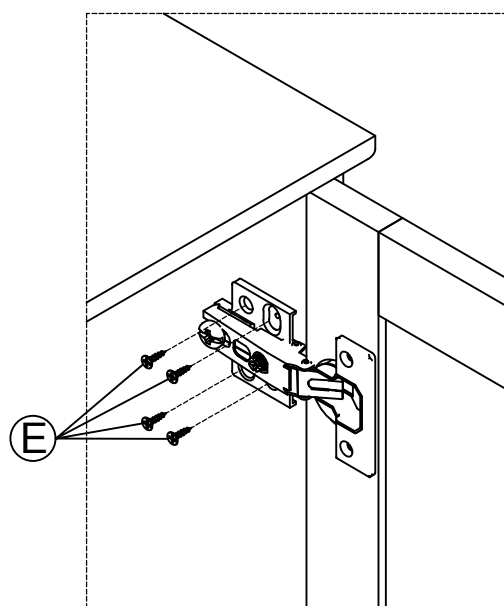
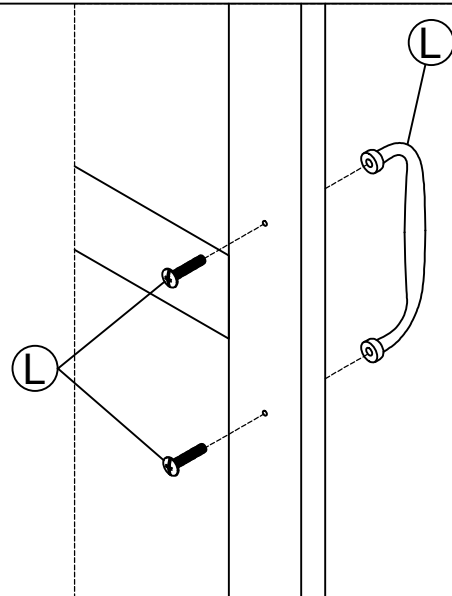
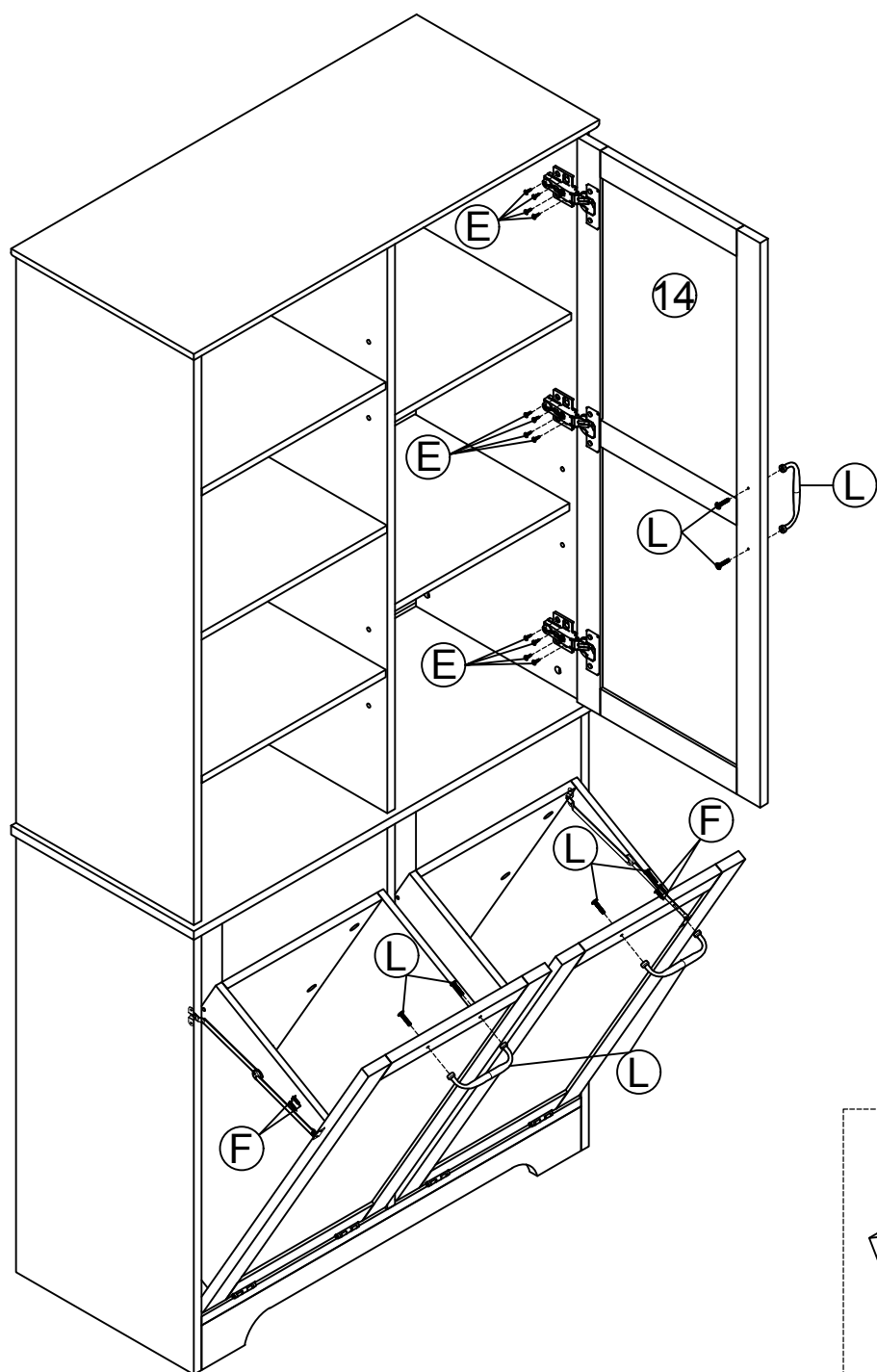
Ⓔ


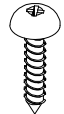
Ø3.5*12MM



8 PCS

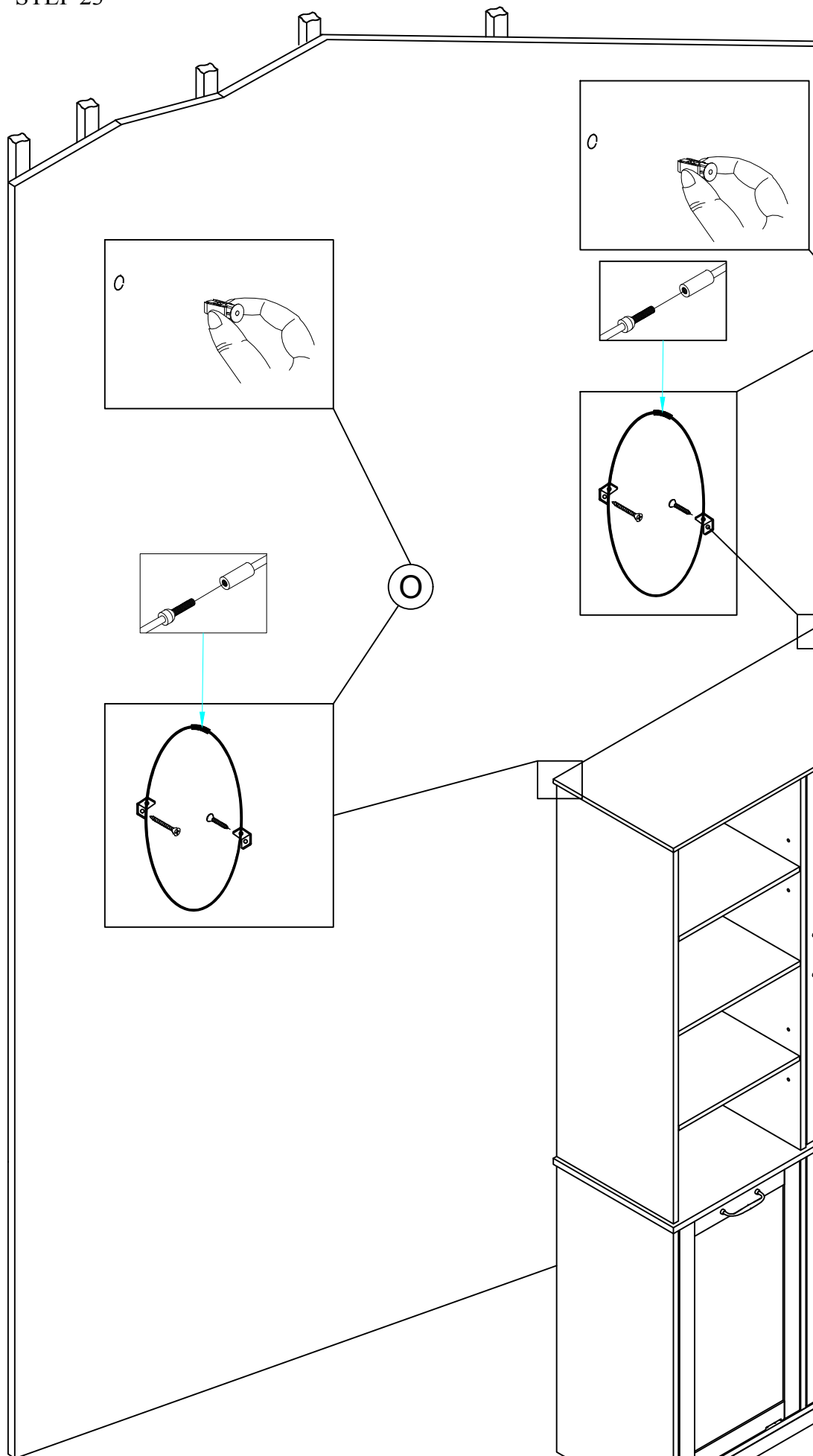
STEP 22

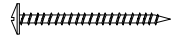

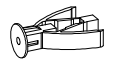
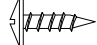



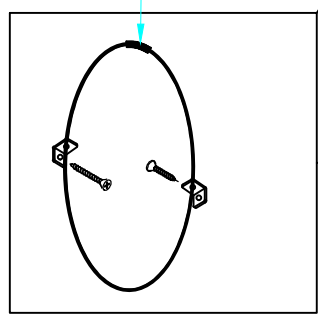
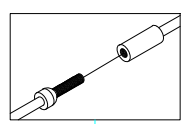
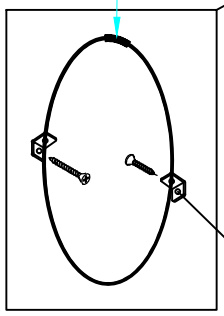
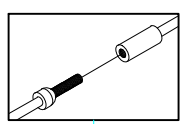
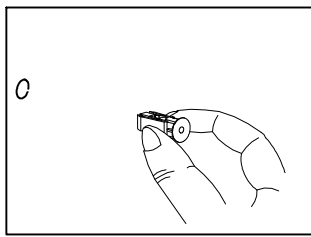
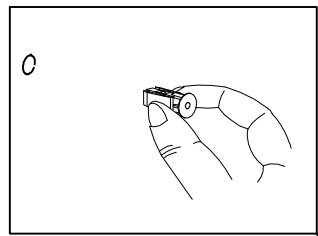
E	Ø3.5*12MM	 12 PCS
F	Ø3.5*12MM	 4 PCS

L	M4*15MM HANDLE	 3 SETS
---	-------------------	---

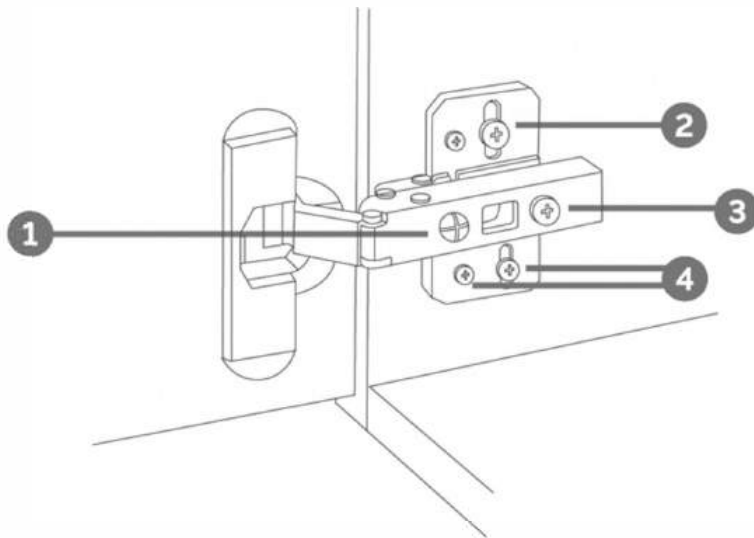
STEP 23



○		2SETS
		
		
		
		

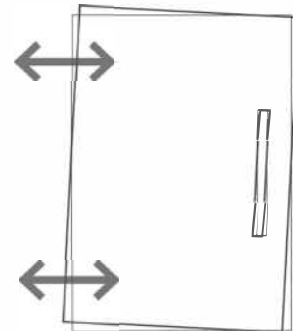


HINGE ADJUSTMENTS



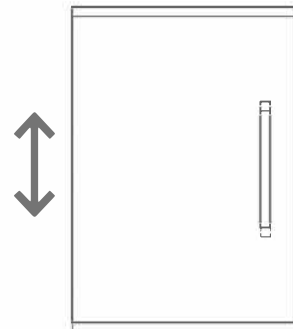
1 Sideways / Tilt adjustment

Turn the screw
clockwise to move the door further away from
the side of the cabinet
anticlockwise to move the door closer to the
side of the cabinet



2 4 Height adjustment

While supporting the weight of the door, turn the
screws
clockwise to move the door up
anticlockwise to move the door down



3 Forward and back adjustment

If the gap between the back of the door and the
cabinet is too small, and the door may not close
fully. Turn the screw
clockwise to decrease the gap between the
door and the cabinet
anticlockwise to increase the gap between the
door and the cabinet

