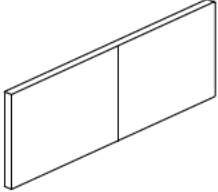
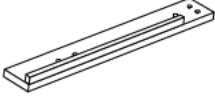
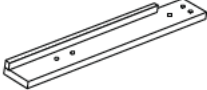
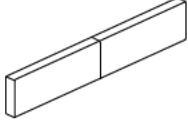
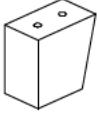
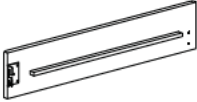
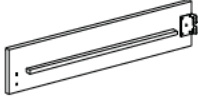
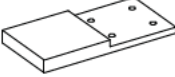



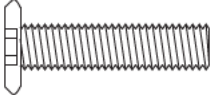
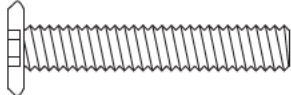
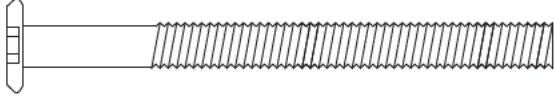


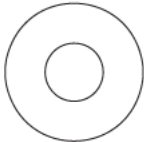



# ASSEMBLY INSTRUCTION

## PART LIST

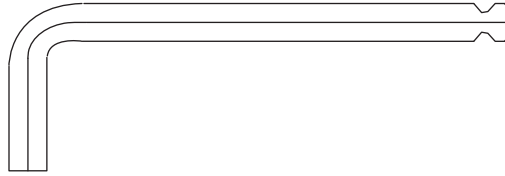
<p>1. HEADBOARD CUSHION</p>  <p>x 1PC</p>	<p>2. LEFT HEADBOARD LEG (WITH "L" LABEL)</p>  <p>x 1PC</p>	<p>3. RIGHT HEADBOARD LEG (WITH "R" LABEL)</p>  <p>x 1PC</p>	<p>4. FOOTBOARD CUSHION</p>  <p>x 1PC</p>	<p>5. FOOTBOARD LEGS</p>  <p>x 2PCS</p>
<p>6. SIDE RAIL</p>  <p>x 2PCS</p>	<p>7. SIDE RAIL</p>  <p>x 2PCS</p>	<p>8. SIDE RAIL SUPPORT LEG</p>  <p>x 2PCS</p>	<p>9. SLATS</p>  <p>x 4PCS</p>	<p>10. SUPPORT LEGS with adjustable feet</p>  <p>x 4PCS</p>

## HARDWARE LIST

<p>A. JCBB SCREW M8 x 20mm</p>  <p>x 8PCS</p>	<p>B. JCBB SCREW M6 x 25mm</p>  <p>x 8PCS</p>	<p>C. JCBB SCREW M6 x 35mm</p>  <p>x 10PCS</p>
<p>D. JCBC SCREW M6 x 70mm</p>  <p>x 2PCS</p>		<p>E. WOOD DOWEL</p>  <p>x 2PCS</p>
<p>F. SPRING WASHER</p>  <p>x 14PCS</p>	<p>G. FLAT WASHER</p>  <p>x 14PCS</p>	<p>H. SCREW M4 x 32mm</p>  <p>x 8PCS</p>

# ASSEMBLY INSTRUCTION

I. L-KEY  
M5 x 65mm



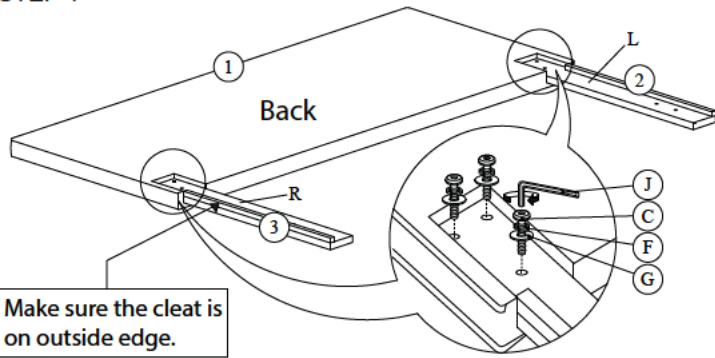
x 1PC

J. L-KEY  
M4 x 100mm



x 1PC

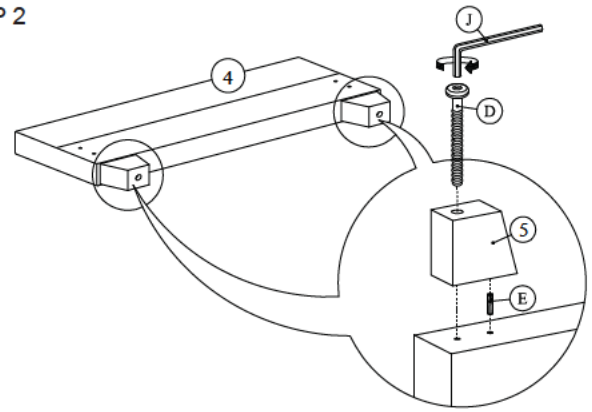
STEP 1



Lay the Headboard Cushion (1) with the back side facing up and make sure there are no sharp objects underneath. Insert Left and Right Headboard Legs (2 & 3) into the Headboard Cushion like the image. Make sure the cleat is on the outside edge. Tighten them together by inserting Screws (C) along with Spring Washer (F) and Flat Washer (G) respectively. Use L-Key (J) to tighten the Screws.

**Note: Make sure all Screws are tightened.**

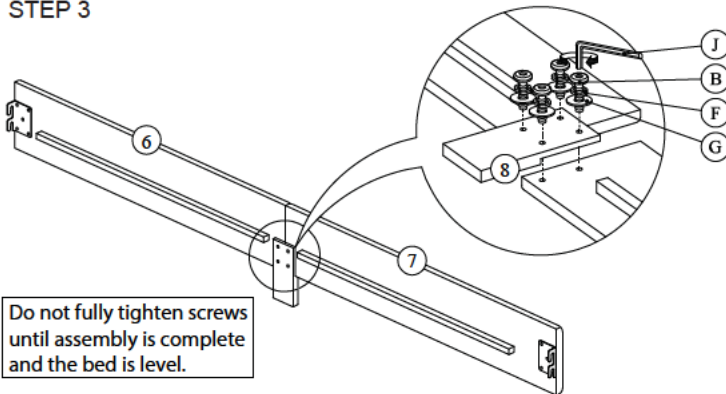
STEP 2



Lay the Footboard Cushion (4) and make sure there are no sharp objects underneath. Insert Wood Dowel (E) into one of the holes like the image. Align Footboard Leg (5) to the hole and Wood Dowel on Footboard Cushion and insert Screw (D) to tighten Footboard Leg to Footboard Cushion. Use L-Key (J) to tighten the Screw. Repeat for the other Footboard Leg.

**Note: Make sure all Screws are tightened.**

STEP 3

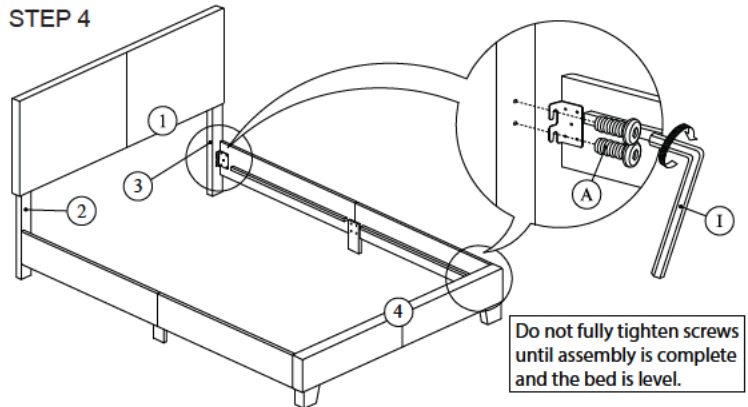


Do not fully tighten screws until assembly is complete and the bed is level.

Have the Side Rail (6 & 7) next to each other and attach Side Rail Support Leg (8) to the Side Rails using Screws (B) along with Spring Washer (F) and Flat Washer (G) respectively like the image. Use L-Key (J) to slightly tighten the Screws. Repeat for the other Side Rails.

**Note: Do not fully tighten screws until assembly is completed and the bed is level.**

STEP 4

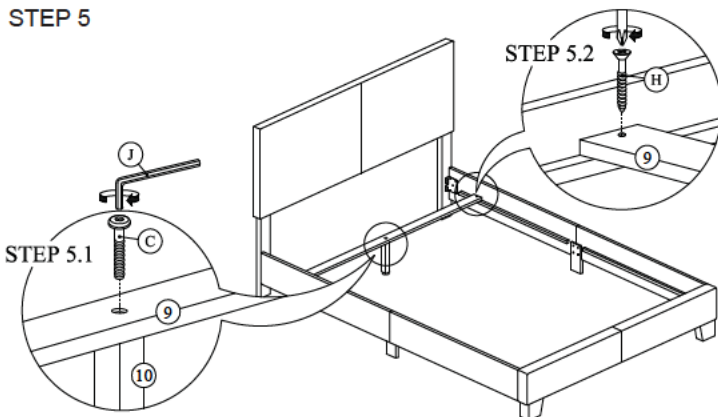


Do not fully tighten screws until assembly is complete and the bed is level.

Align the Side Rail to the holes on the Headboard Leg and attach by using Screws (A). Use L-Key (I) to slightly tighten the Screws. Repeat to attach the other Side Rail to the other Headboard Leg. Then align the Side Rail to the holes on the Footboard Cushion (4) and use Screws (A) to attach them together. Use L-Key (I) to slightly tighten the Screws.

**Note: Do not fully tighten screws until assembly is completed and the bed is level.**

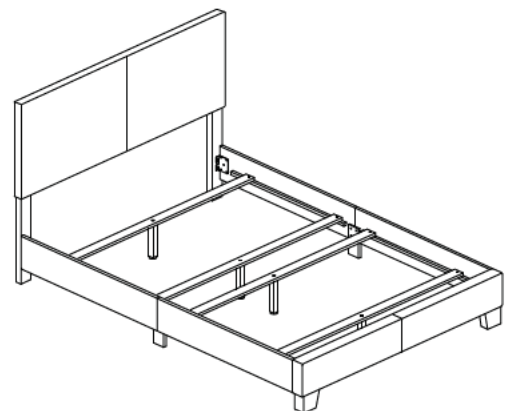
STEP 5



Attach Support Leg (10) to the middle hole on the Slat (9) using Screw (C) like the image. Use L-Key (J) to do so.

Then, align holes on the ends of the Slat to the ones on the Side Rails and use Screws (H) to attach them together. Repeat for the other three Slats.

STEP 6



Your bed is now ready!  
Make sure all screws are fully tightened before using.  
Box spring is required and not included.  
**Do not stand or jump on top.**

Enjoy!