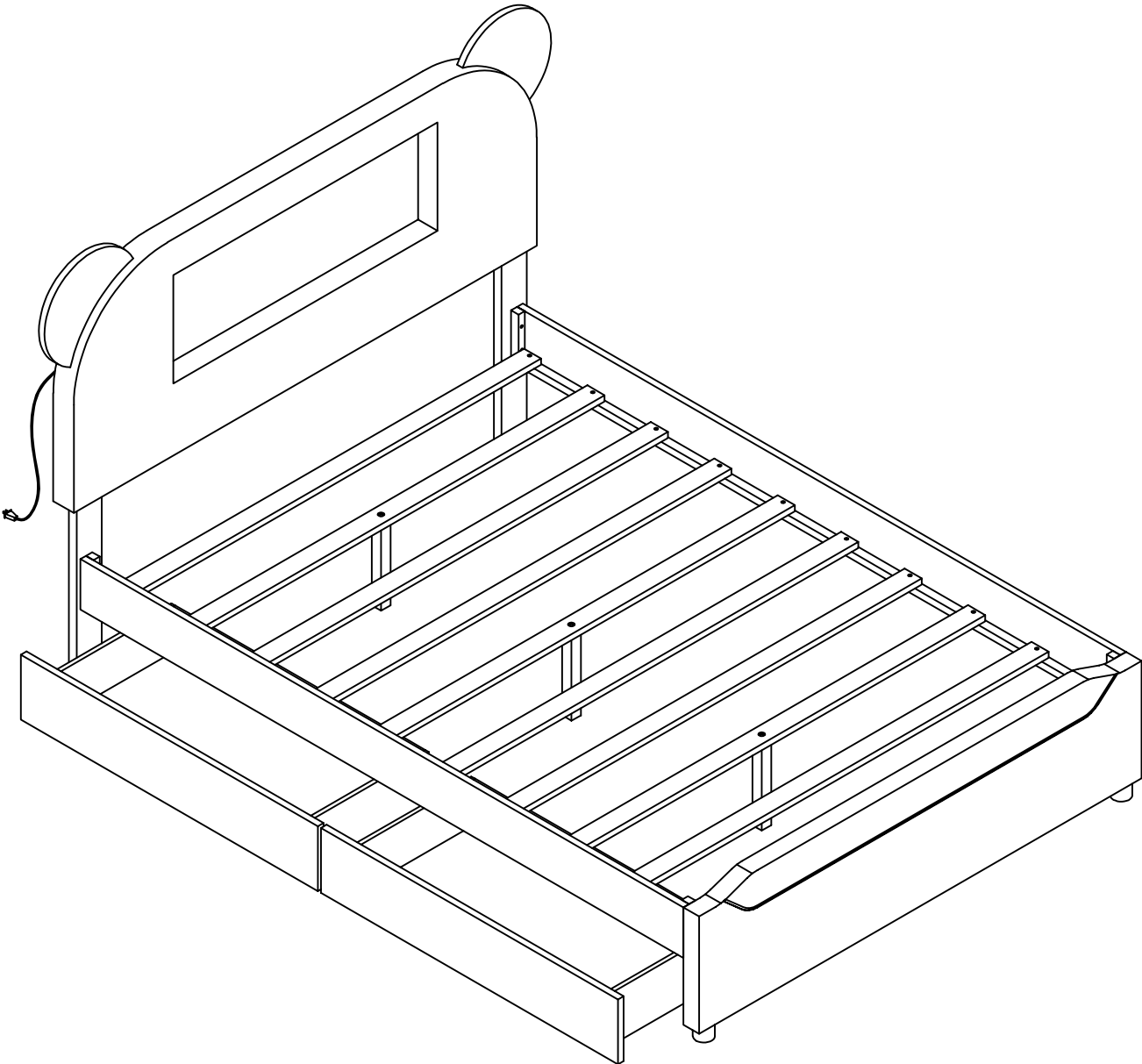
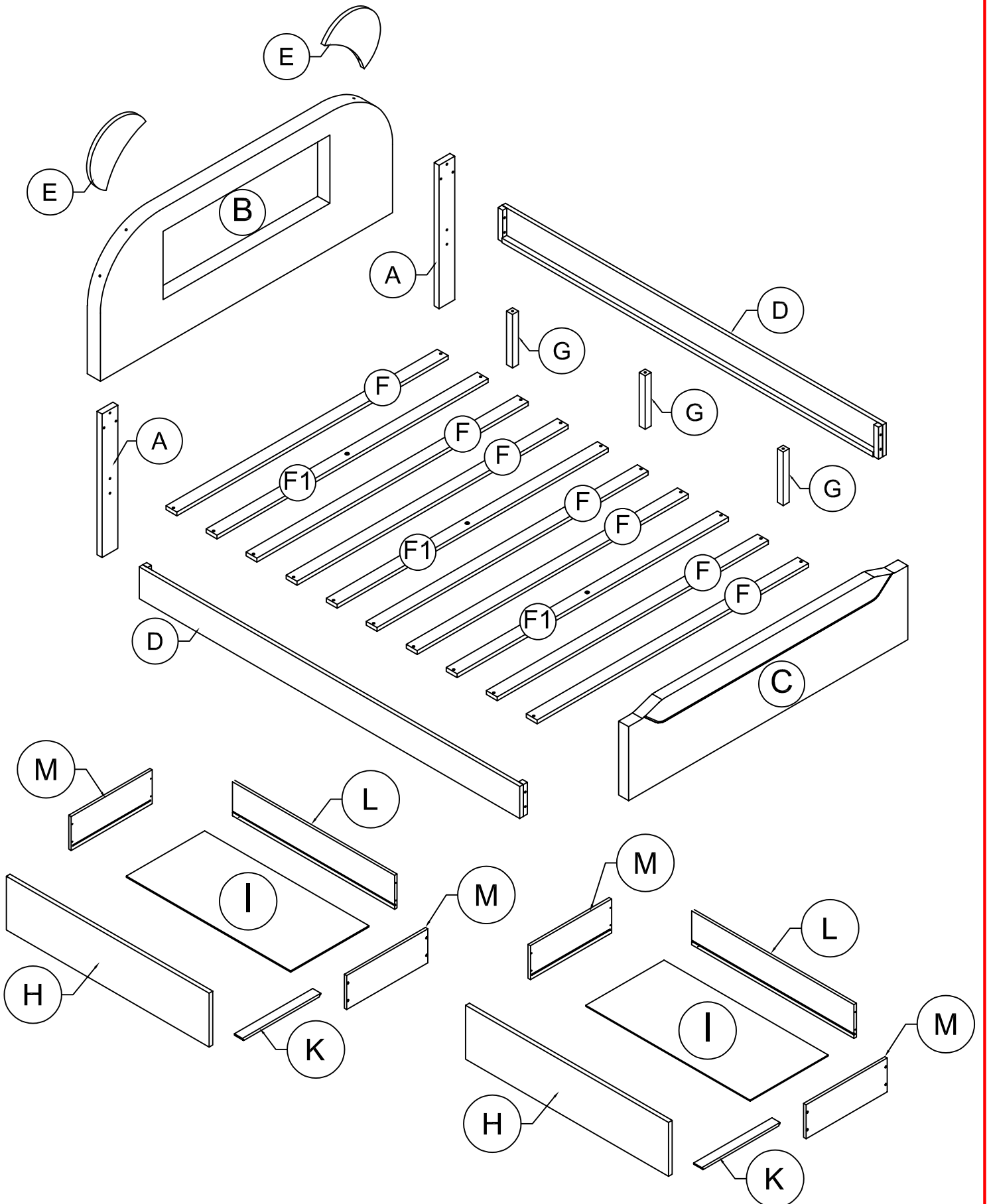


ASSEMBLY INSTRUCTION

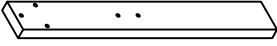
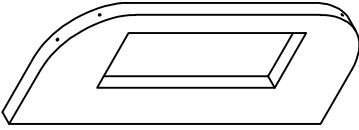
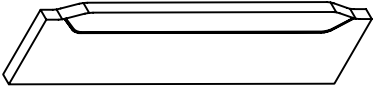

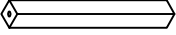
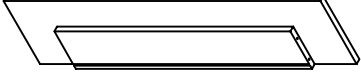

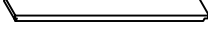
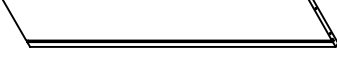


SKU CODE: (WF309341/WF309342)



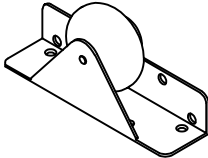
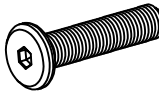





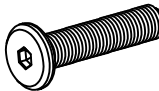
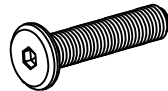
ASSEMBLY INSTRUCTION

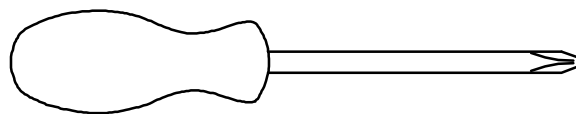


Part List (WF309341)

<p>A</p>  <p>Leg (HB Font) - 2pcs</p>	<p>B</p>  <p>HB Frames - 1pcs</p>	<p>C</p>  <p>FB Frames - 1pcs</p>
<p>E</p>  <p>Ears - 2pcs</p>	<p>G</p>  <p>Support Leg - 3pcs</p>	<p>H</p>  <p>Drawers - Font Panel - 2pcs</p>
<p>I</p>  <p>Drawers - Bottom Panel - 2pcs</p>	<p>K</p>  <p>Drawers - Support Bottom - 2pcs</p>	<p>L</p>  <p>Drawers - Back Panel - 2pcs</p>
<p>M</p>  <p>Drawers - Side Panel - 4pcs</p>	<p>F1</p>  <p>Slats - 3pcs</p>	

Hardware List (WF309341)

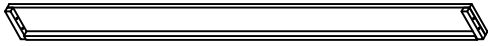
<p>1</p>  <p>Wheels 8pcs</p>	<p>2</p>  <p>1/4" x 40mm Hex-Head bolts 6pcs</p>	<p>3</p>  <p>Allen Key 1pcs</p>
<p>4</p>  <p>Plastic Feet(Ø50x40) 2pcs</p>	<p>5</p>  <p>M4 x 30 mm Wood Screws 36pcs</p>	<p>6</p>  <p>Plastic Drawer Stopper 4 pcs</p>
<p>7</p>  <p>M4 x 15 mm Wood Screws 20pcs</p>	<p>8</p>  <p>1/4" x 30mm Hex-Head bolts 7pcs</p>	<p>9</p>  <p>1/4" x 50mm Hex-Head bolts 8pcs</p>



Assembly Tools Required (Not Included)

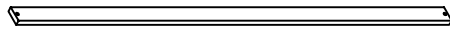
Part List (WF309342)

D



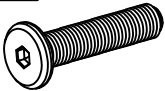
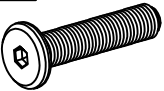
Side Rails - 2pcs

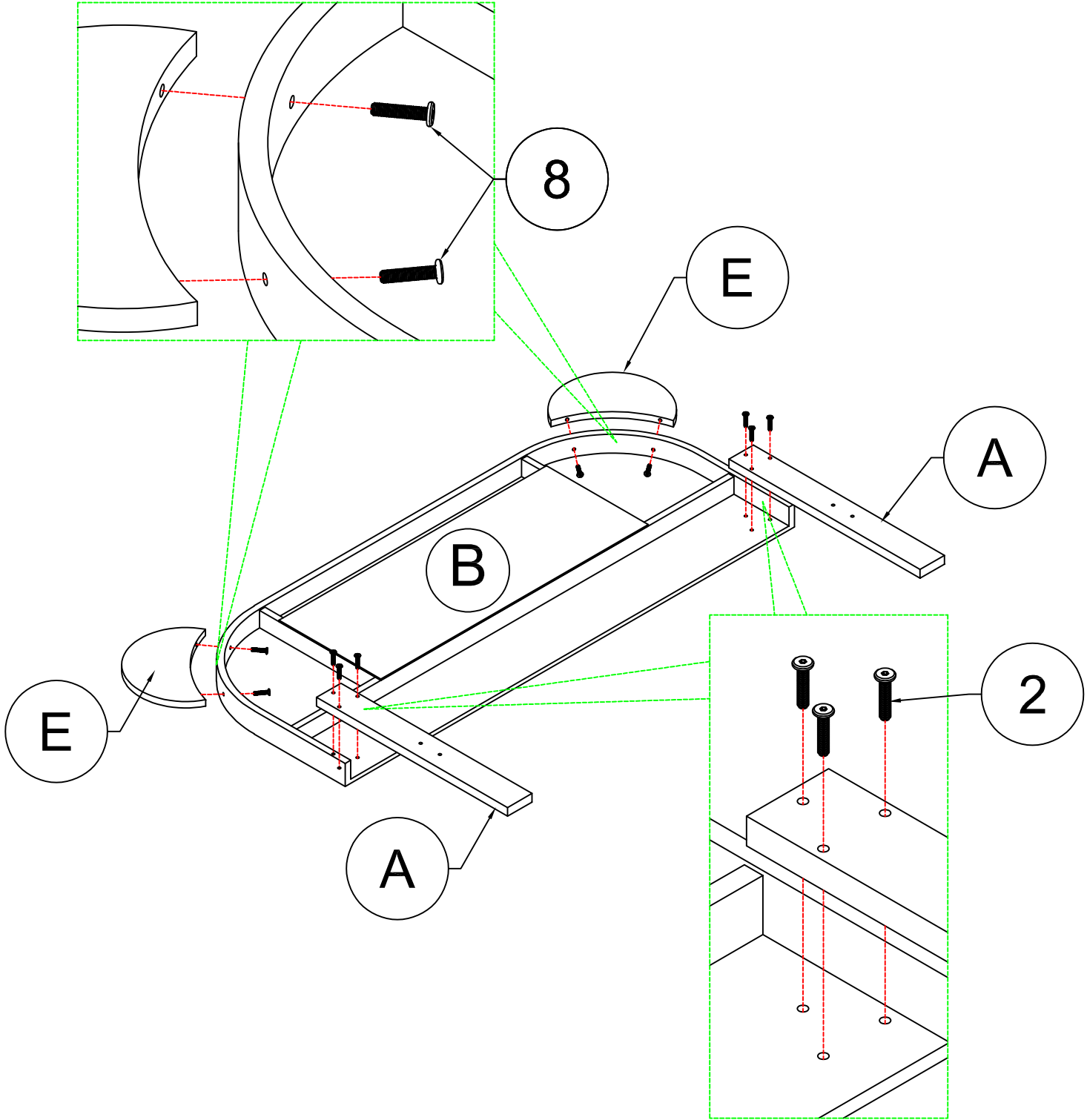
F



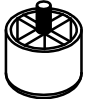
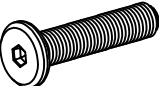
Slats - 7pcs

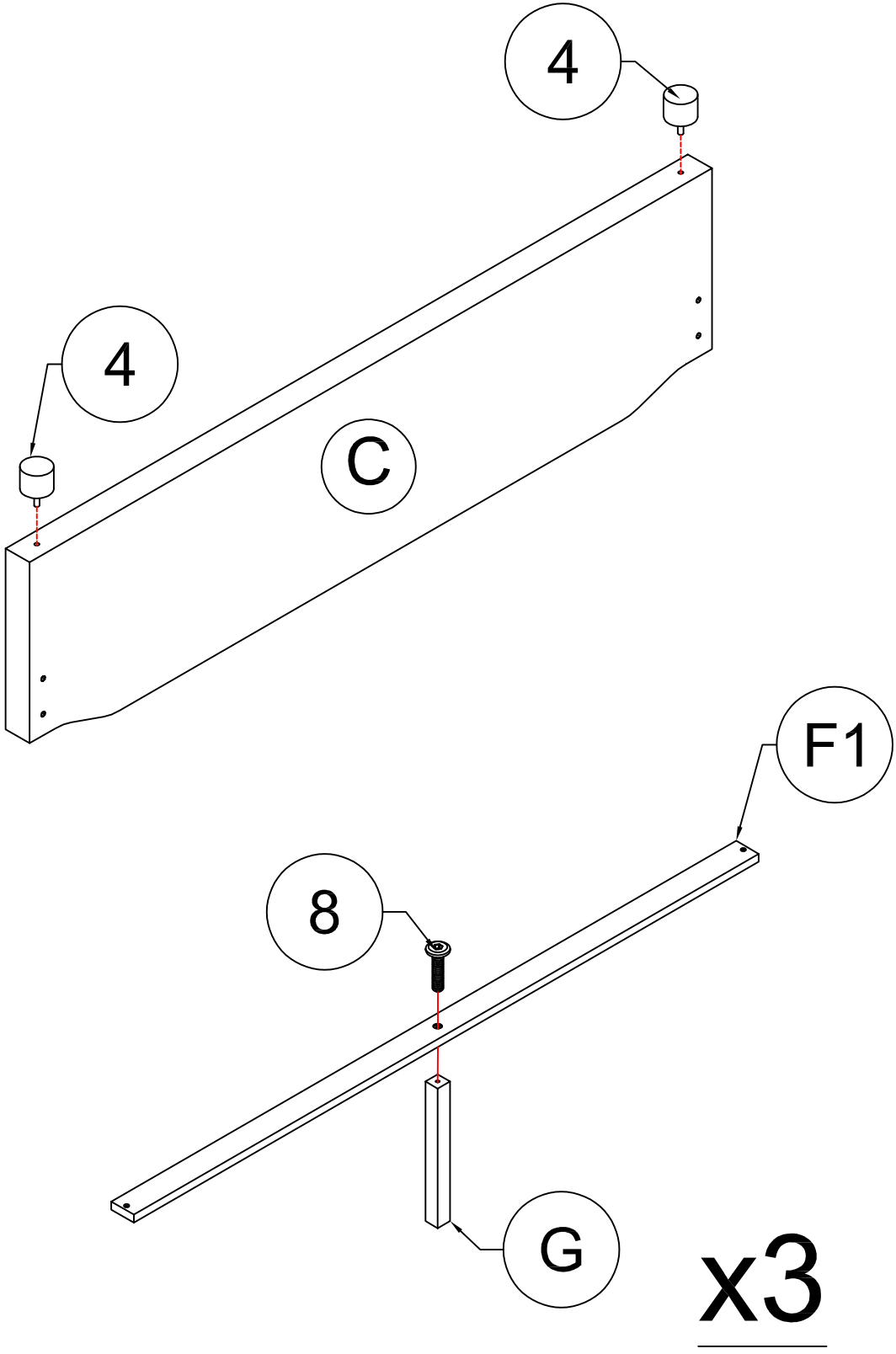
STEP 1: Following below illustration:

2	8
	
6pcs	4pcs



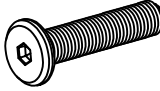


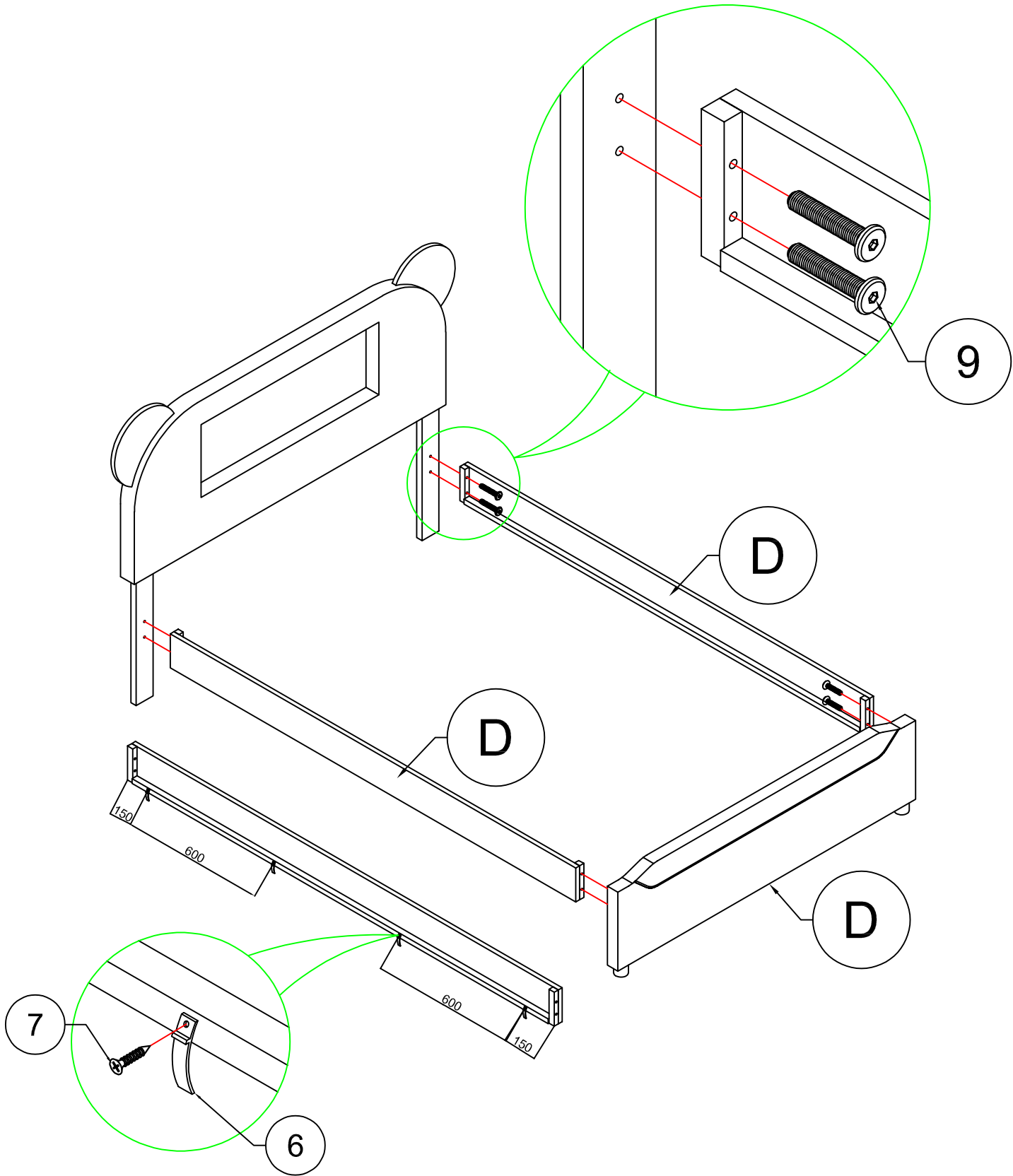
STEP 2: Following below illustration:

4		8	
2pcs		3pcs	




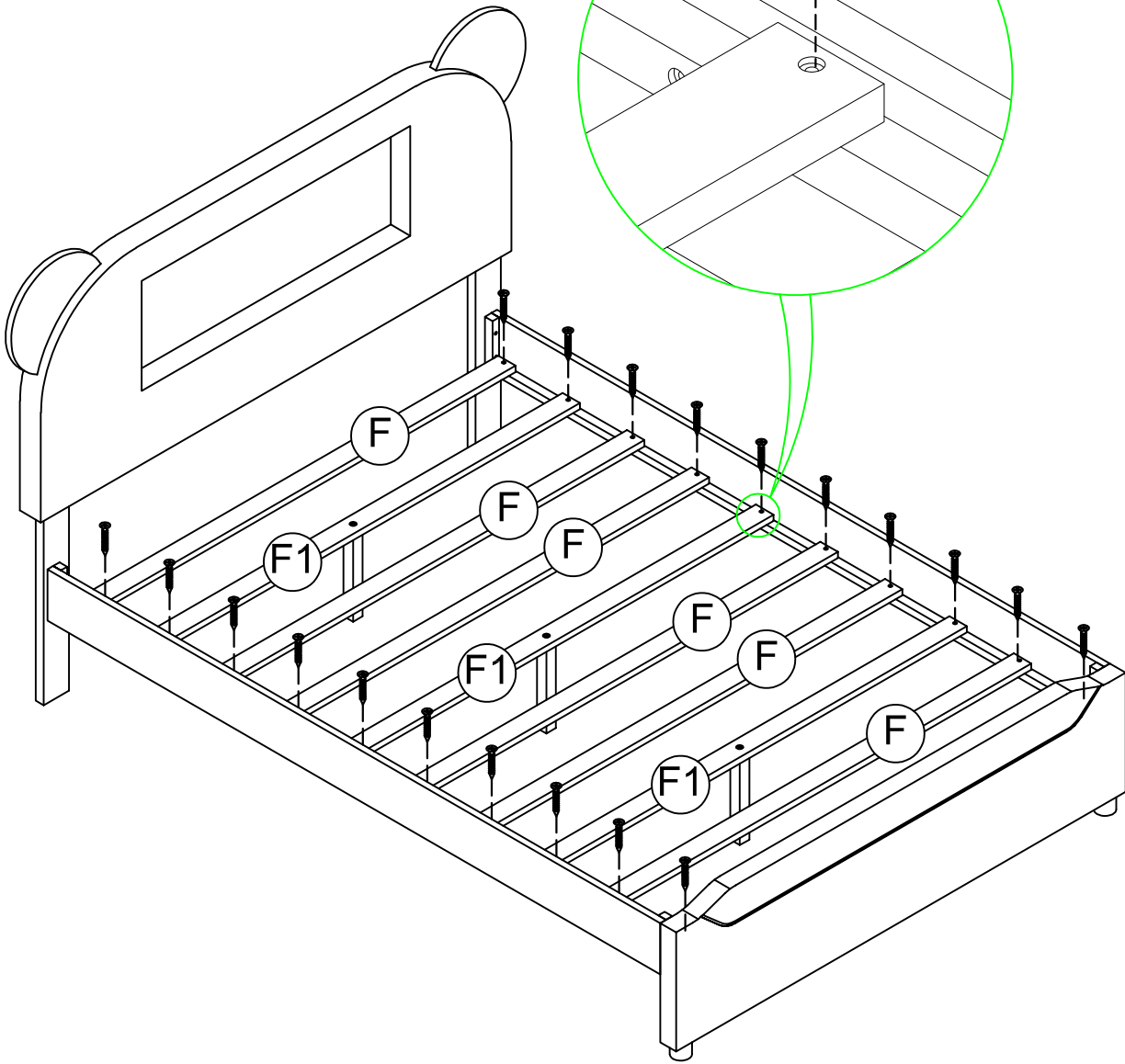
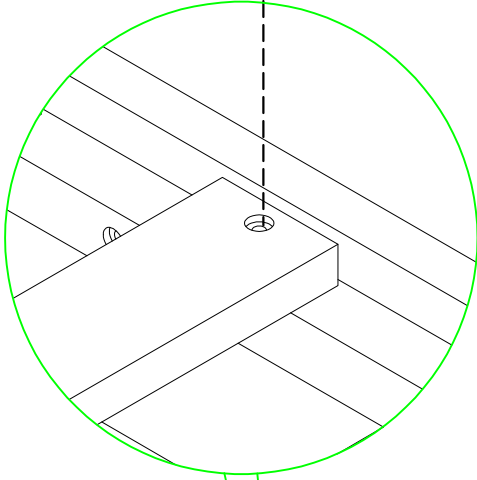
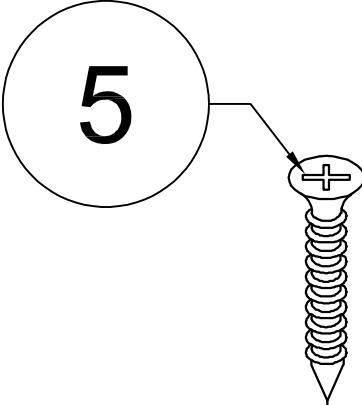
STEP 3: Following below illustration:

6	7	9
		
4pcs	4pcs	8pcs

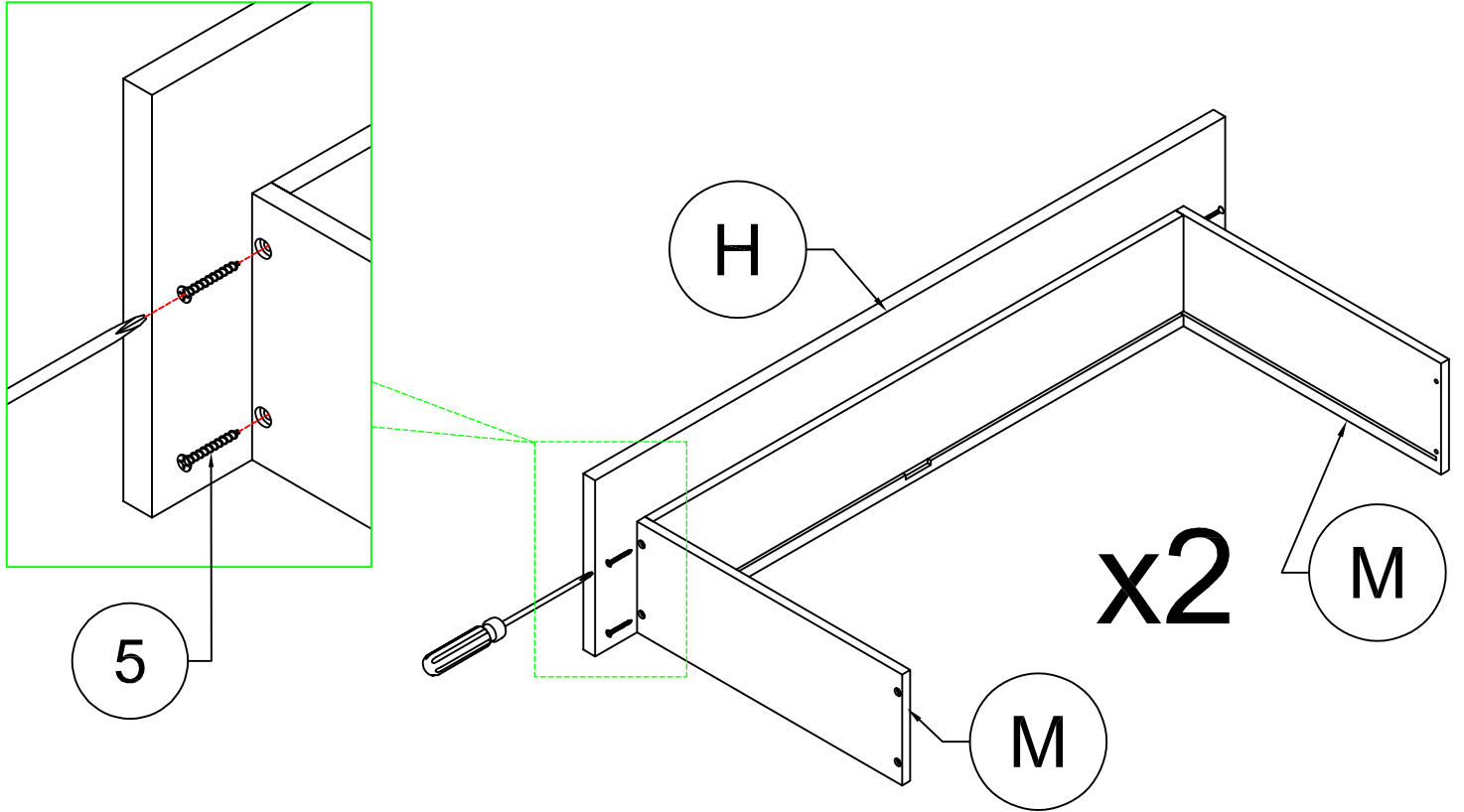
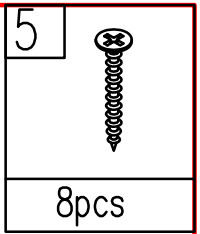


STEP 4: Following below illustration:

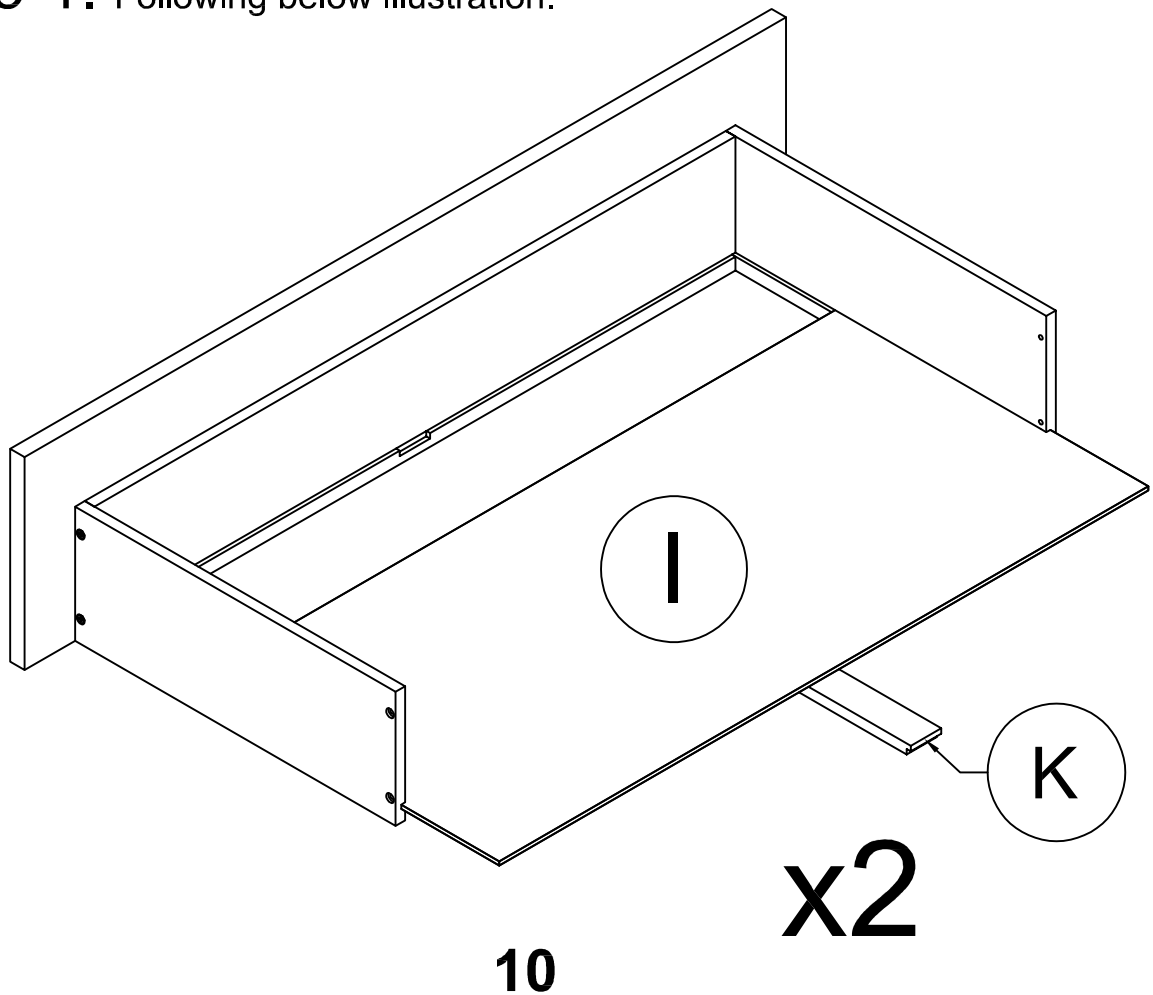
5	
20pcs	



STEP 5: Following below illustration:

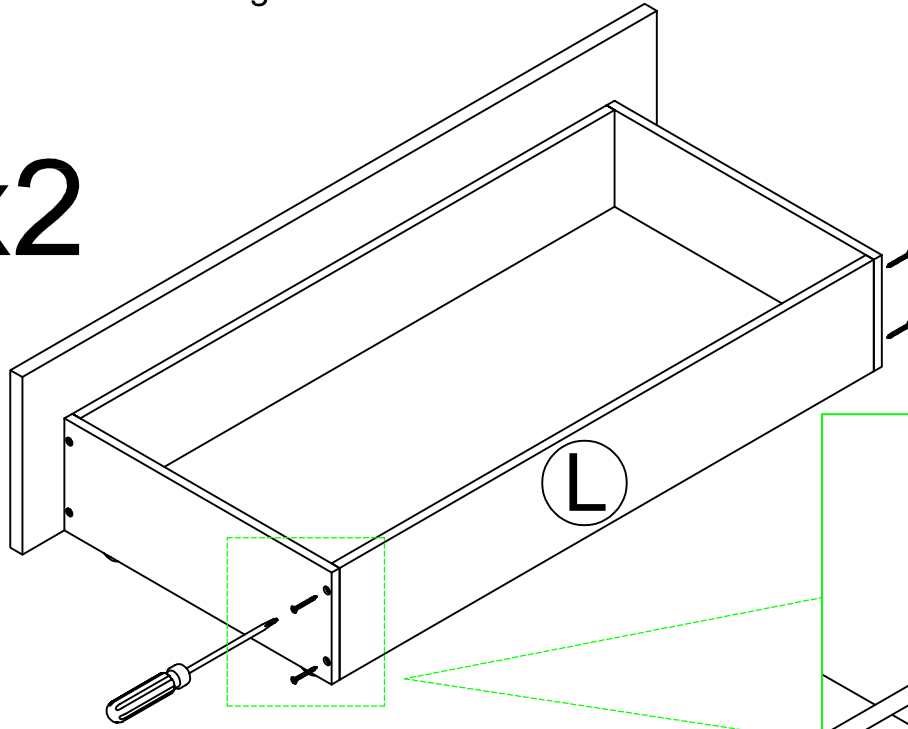



STEP 5-1: Following below illustration:

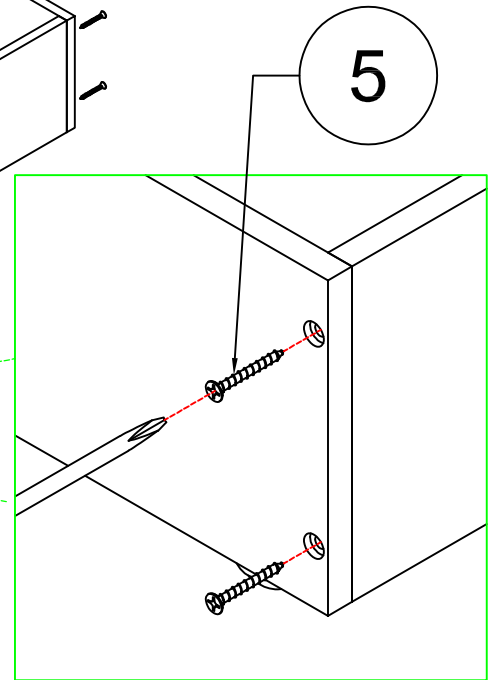


STEP 6: Following below illustration:

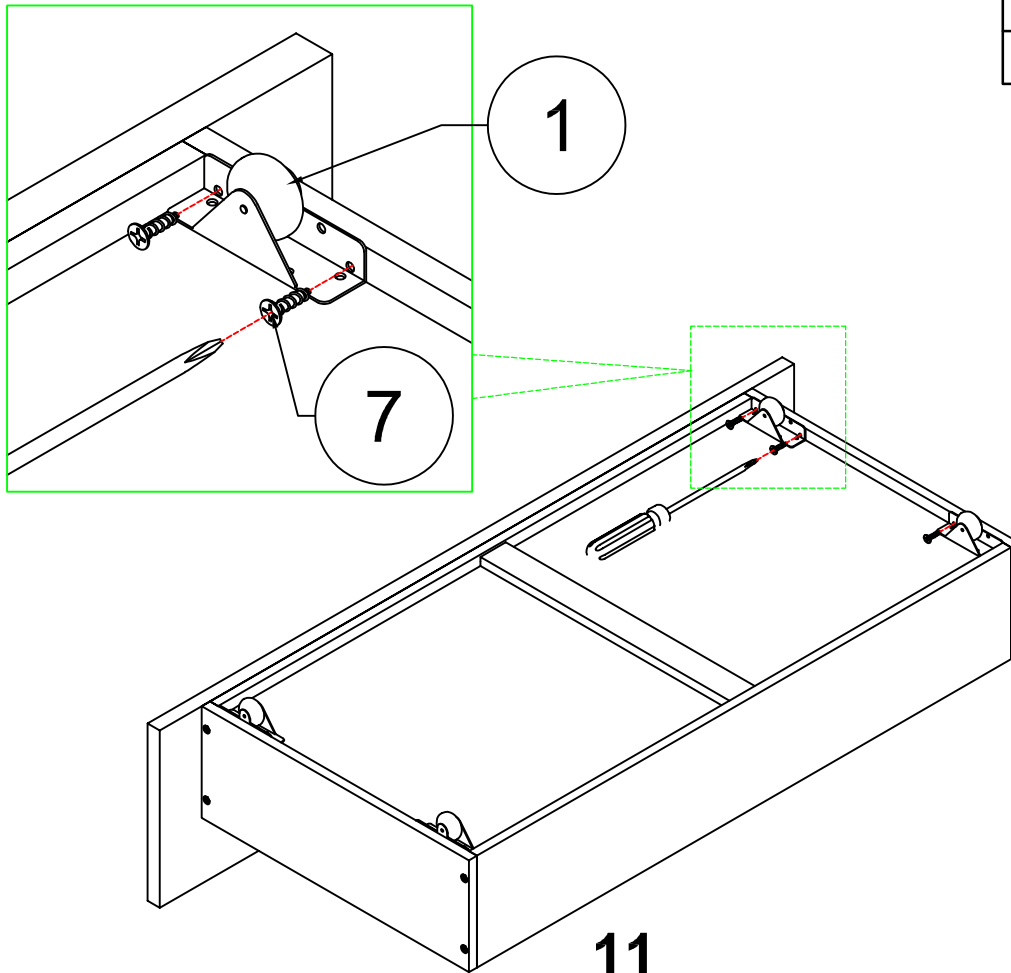
x2

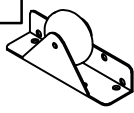



5	
8pcs	



STEP 6-1: Following below illustration:



1		7	
8pcs		16pcs	

x2

11

FINISH

