




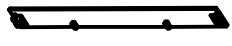








ASSEMBLY INSTRUCTIONS

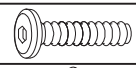



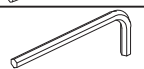
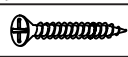
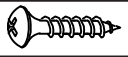
B69-110 PARADOX 6/6-6/0 EK/WK HEADBOARD B69-120 PARADOX 6/6-6/0 EK/WK PANEL FOOTBOARD B69-230 PARADOX 6/0 WK PANEL RAILS & SLATS PARADOX CALIFORNIA KING

Thank you for purchasing this quality product. Be sure to check all packing materials carefully for small parts, which may have come loose inside the carton during shipment. Identify and count all items and compare with the parts list and/or hardware list shown below.

PARTS LIST

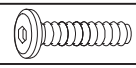



ITEM	DESCRIPTION	SKETCH	QTY
1	HEADBOARD		1PC
2	HEADBOARD LEG (RSF)		1PC
3	HEADBOARD LEG (LSF)		1PC
4	FOOTBOARD		1PC
5	TOP SIDE RAIL (L/R)		2PCS
6	LOWER INNER SIDE RAIL (L/R)		2PCS
7	BED SLAT WITH MARKING		2PCS
8	BED SLAT		3PCS
9	SLAT BOTTOM		2PCS
10	SLAT SUPPORT LEG W/ADJUSTABLE FFET		10PCS
11	CONCEALED PANEL		6PCS
12	SIDE RAIL CROWN TOP		2PCS

HEADBOARD

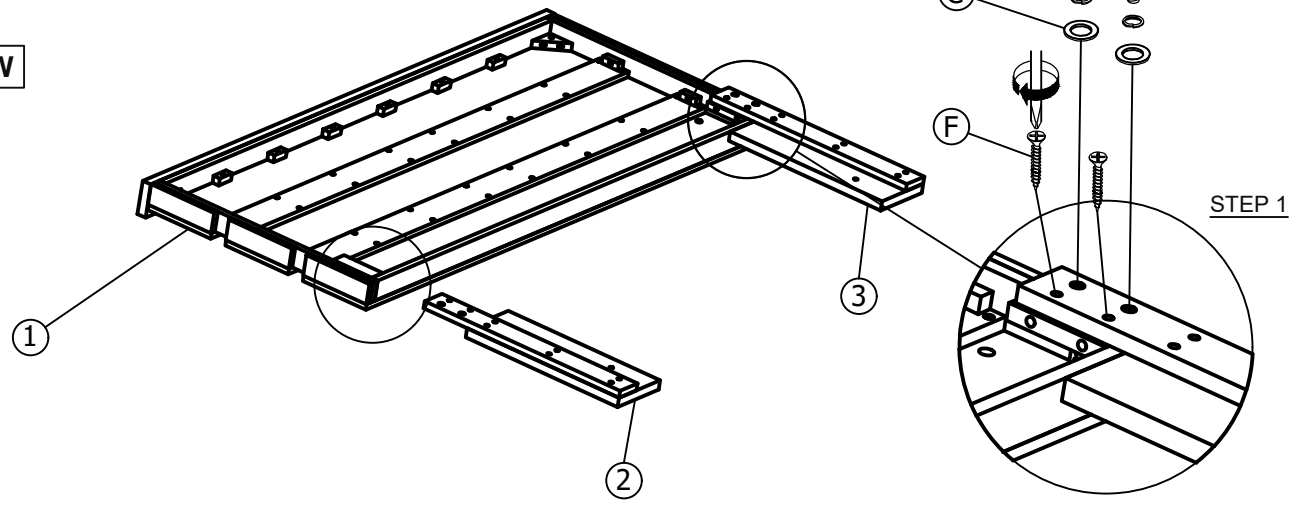
ITEM	DESCRIPTION	SKETCH	QTY
A	JCBC SCREW - M6 x 1-9/16"		4PCS
B	SPRING WASHER - M6 x 1/2"		4PCS
C	FLAT WASHER - M6 x 1/2"		4PCS
D	M4 ALLEN KEY (60)		1PC
E	M5 ALLEN KEY (2 9/16")		1PC
F	CSK M4 x 32mm		18PCS
G	PAN HEAD SCREW - M3.5 x 20mm		30PCS

HARDWARE LIST

C.KING SIDE RAIL

H	JCBC SCREW - M6 x 2"		12PCS
I	SPRING WASHER - M6 x 1/2"		12PCS
J	FLAT WASHER - M6 x 1/2"		12PCS
K	M4 ALLEN KEY (60)		1PC

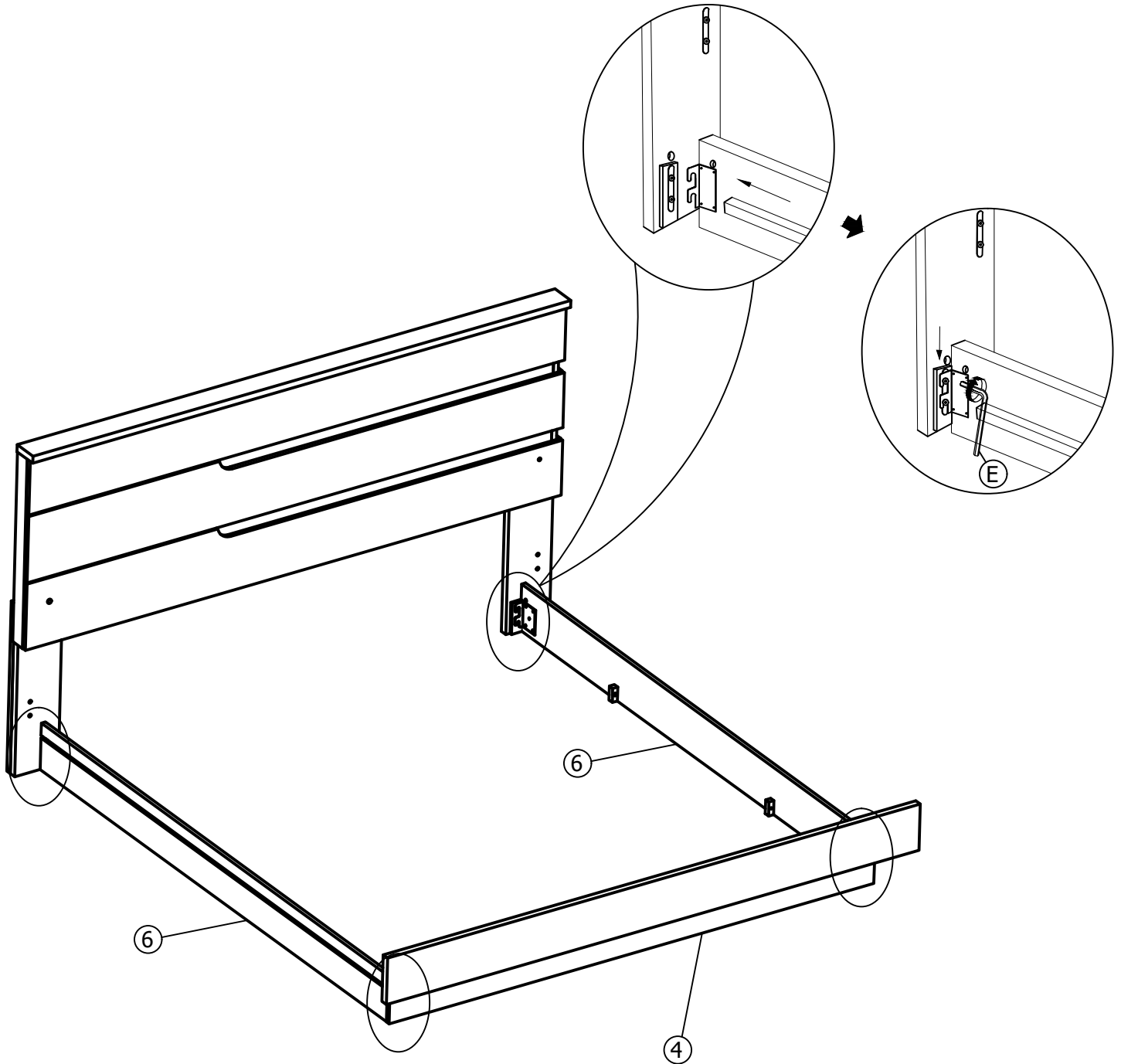
BACK VIEW



IMPORTANT NOTE :

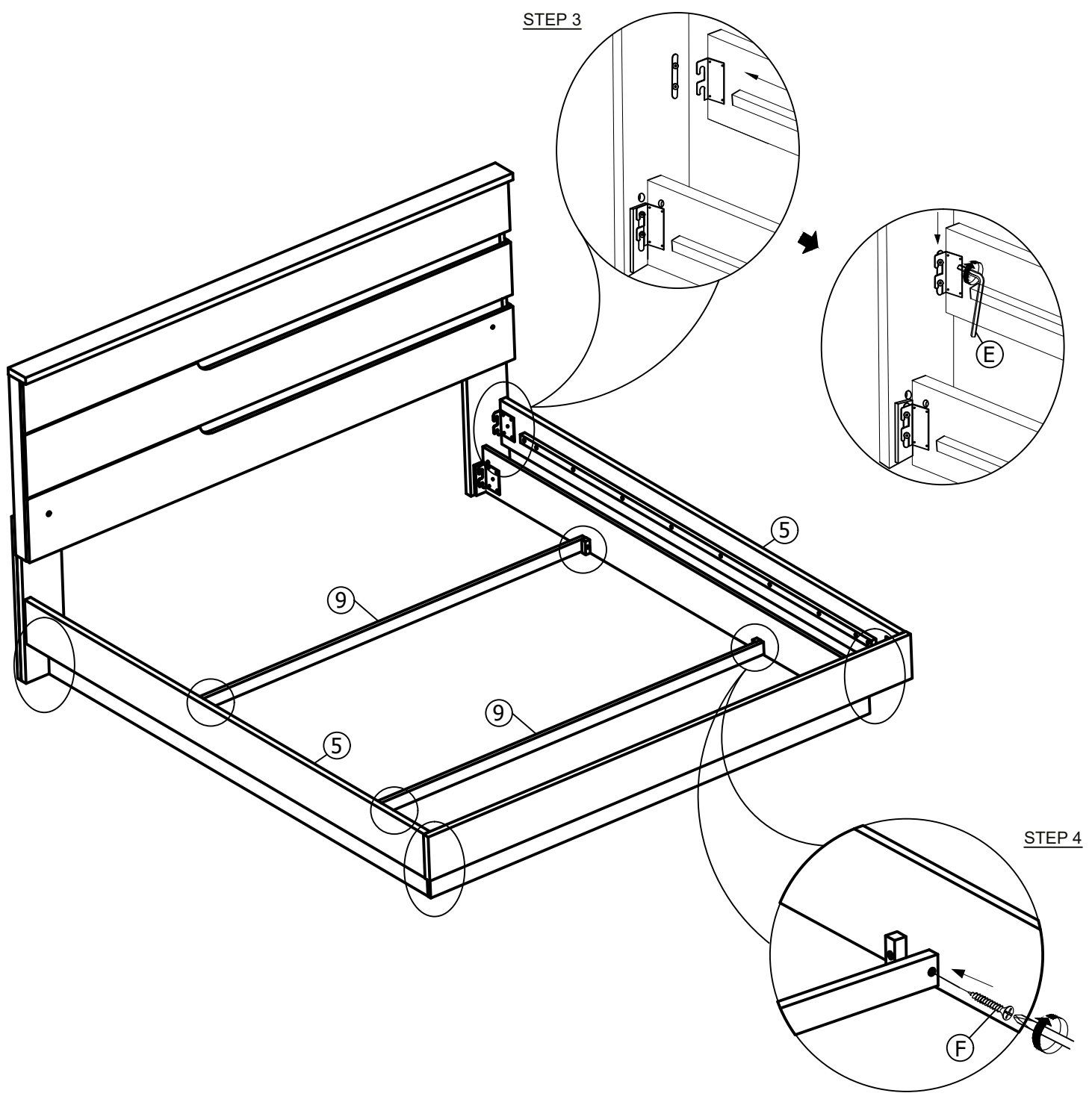
- * Place all wooden parts on a clean and smooth surface such as a rug or carpet to avoid the parts from being scratched.
- * Check to be sure that you have all parts and hardware.
- * Remove all wrapping materials, including staples & packing straps before you start to assemble.
- * Do not tighten all screws/bolts until all completely assembled.
- * Keep all hardware parts out of reach of children.

STEP 2



IMPORTANT NOTE :

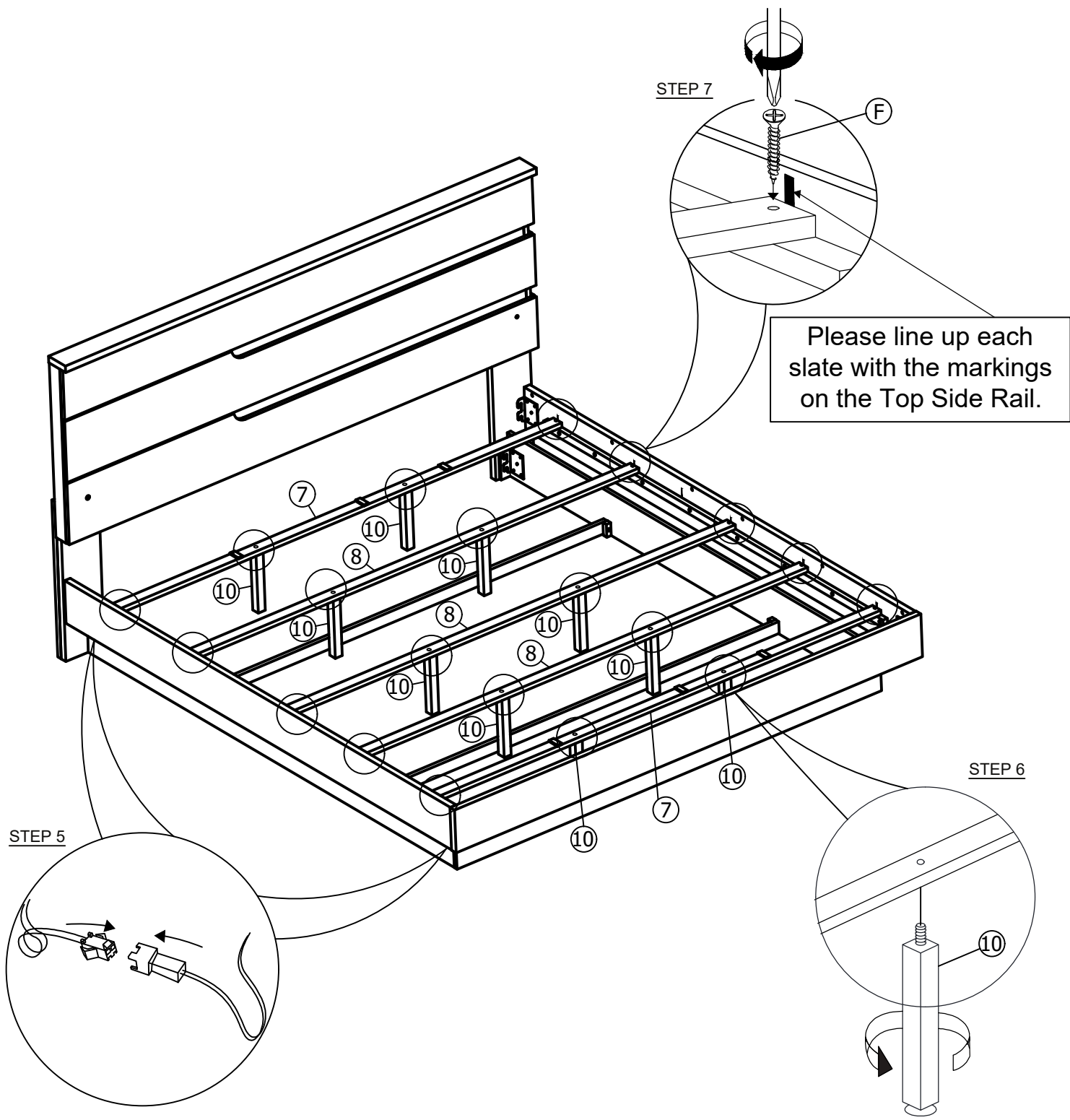
- * Place all wooden parts on a clean and smooth surface such as a rug or carpet to avoid the parts from being scratched.
- * Check to be sure that you have all parts and hardware.
- * Remove all wrapping materials, including staples & packing straps before you start to assemble.
- * Do not tighten all screws/bolts until all completely assembled.
- * Keep all hardware parts out of reach of children.



IMPORTANT NOTE :

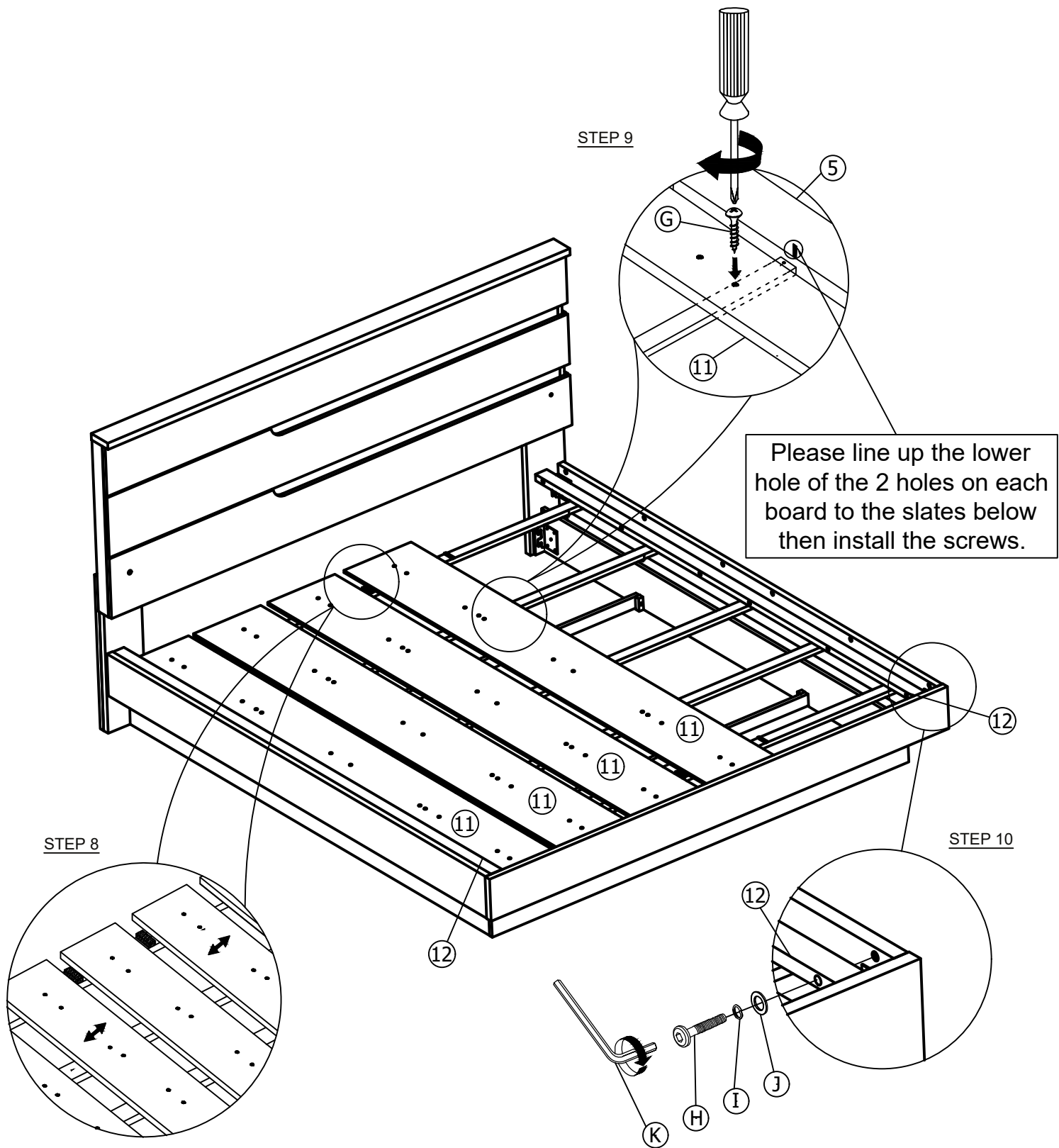
- * Place all wooden parts on a clean and smooth surface such as a rug or carpet to avoid the parts from being scratched.
- * Check to be sure that you have all parts and hardware.
- * Remove all wrapping materials, including staples & packing straps before you start to assemble.
- * Do not tighten all screws/bolts until all completely assembled.
- * Keep all hardware parts out of reach of children.

ASSEMBLY INSTRUCTIONS
B69-110 PARADOX 6/6-6/0 EK/WK HEADBOARD
B69-120 PARADOX 6/6-6/0 EK/WK PANEL FOOTBOARD
B69-230 PARADOX 6/0 WK PANEL RAILS & SLATS
PARADOX CALIFORNIA KING



IMPORTANT NOTE :

- * Place all wooden parts on a clean and smooth surface such as a rug or carpet to avoid the parts from being scratched.
- * Check to be sure that you have all parts and hardware.
- * Remove all wrapping materials, including staples & packing straps before you start to assemble.
- * Do not tighten all screws/bolts until all completely assembled.
- * Keep all hardware parts out of reach of children.



IMPORTANT NOTE :

- * Place all wooden parts on a clean and smooth surface such as a rug or carpet to avoid the parts from being scratched.
- * Check to be sure that you have all parts and hardware.
- * Remove all wrapping materials, including staples & packing straps before you start to assemble.
- * Do not tighten all screws/bolts until all completely assembled.
- * Keep all hardware parts out of reach of children.



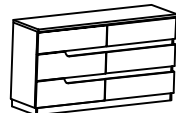
New
Classic[®]
FURNITURE


ASSEMBLY INSTRUCTIONS

B69-050 PARADOX DRESSER

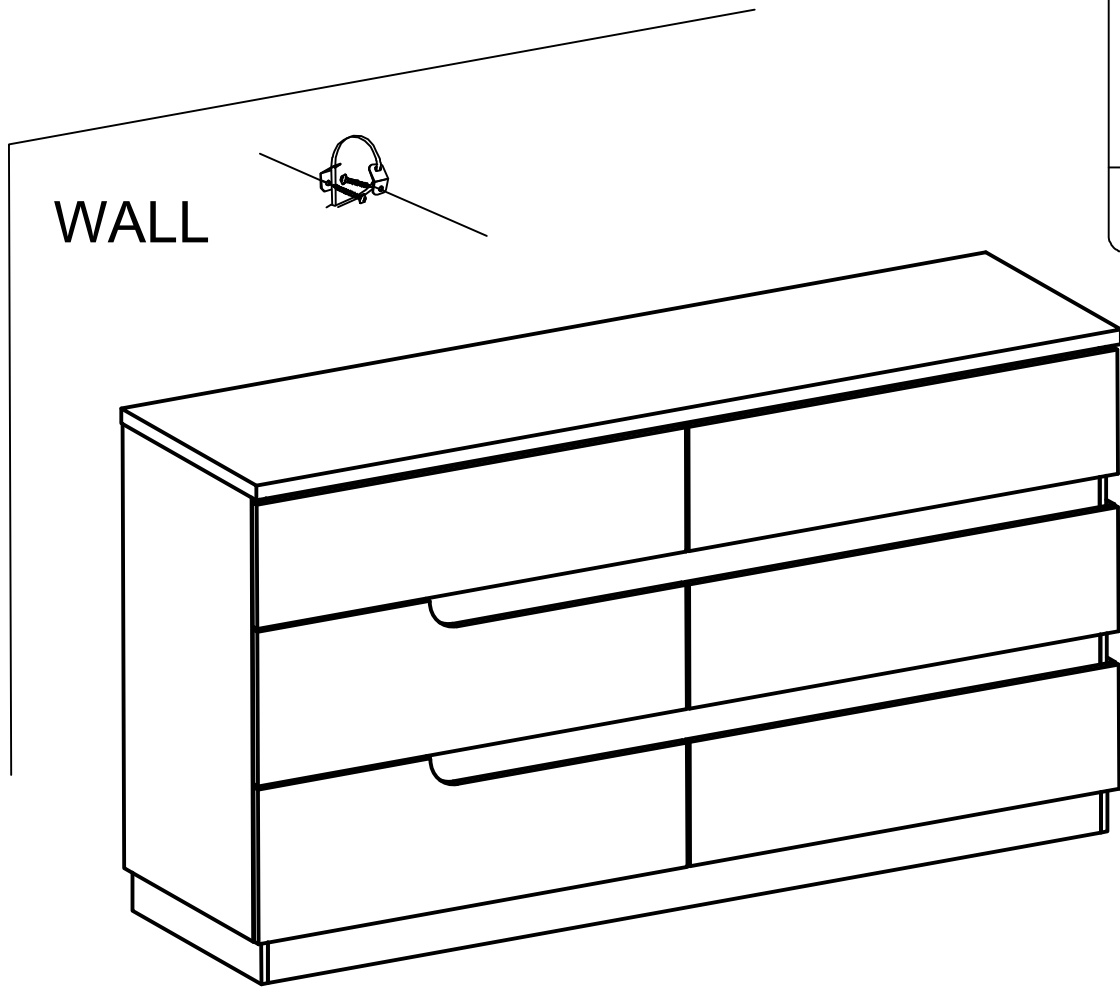
PARADOX DRESSER

Thank you for purchasing this quality product. Be sure to check all packing materials carefully for small parts, which may have come loose inside the carton during shipment. Identify and count all items and compare with the parts list and/or hardware list shown below.

PARTS LIST			
ITEM	DESCRIPTION	SKETCH	QTY
1	DRESSER		1 PC

HARDWARE LIST			
ITEM	DESCRIPTION	SKETCH	QTY
A	ANTI-TIP KIT		1 SET

STEP 1



WALL

PRODUCT

WALL

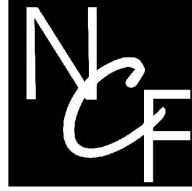
WALL

(A)

For safety, please use the provided hardware to secure the unit onto the wall.

IMPORTANT NOTE :

- * Place all wooden parts on a clean and smooth surface such as a rug or carpet to avoid the parts from being scratched.
- * Check to be sure that you have all parts and hardware.
- * Remove all wrapping materials, including staples & packing straps before you start to assemble.
- * Do not tighten all screws/bolts until all completely assembled.
- * Keep all hardware parts out of reach of children.



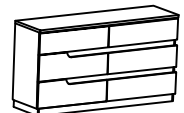
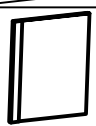

New
Classic®
FURNITURE

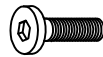



ASSEMBLY INSTRUCTIONS

B69-060 PARADOX MIRROR

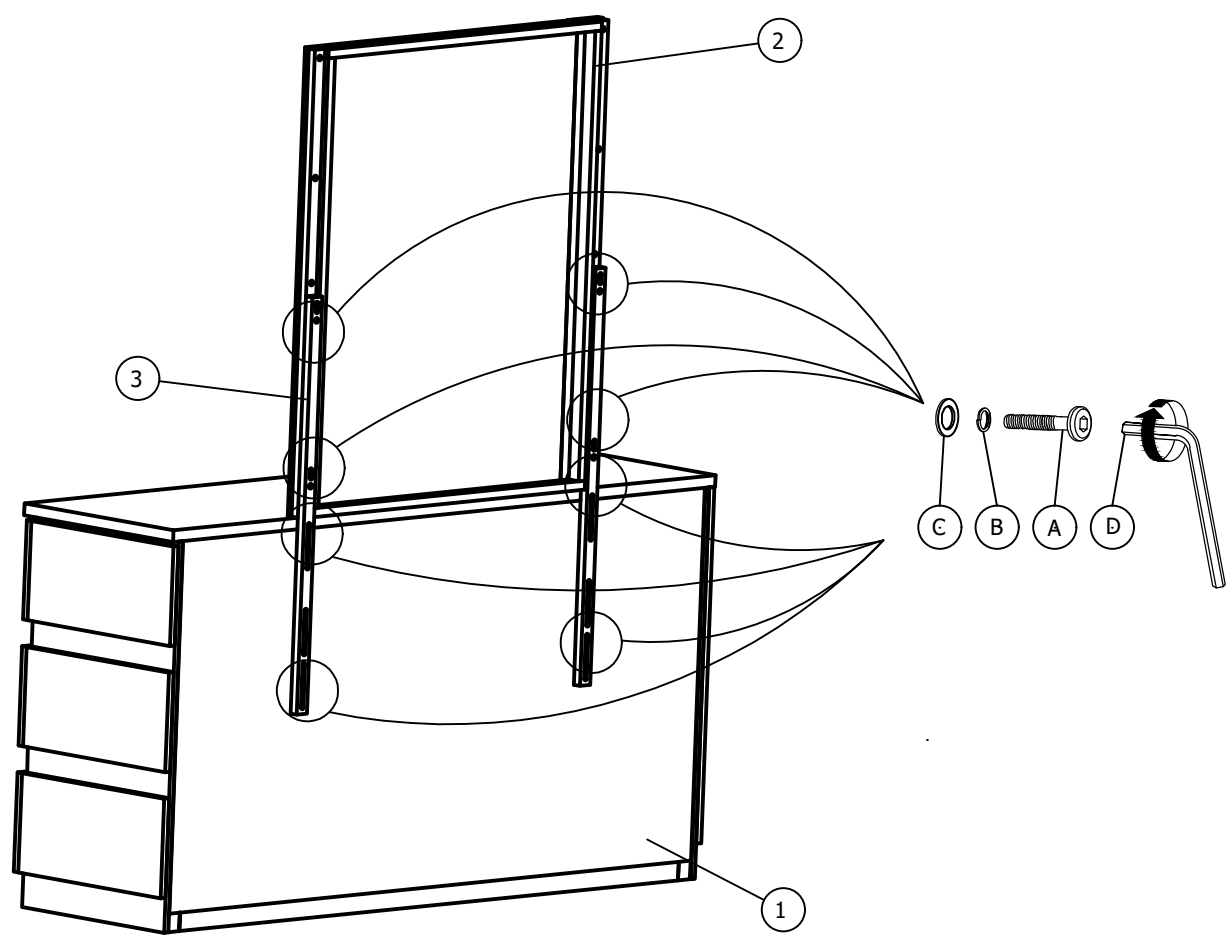
PARADOX MIRROR

Thank you for purchasing this quality product. Be sure to check all packing materials carefully for small parts, which may have come loose inside the carton during shipment. Identify and count all items and compare with the parts list and/or hardware list shown below.

PARTS LIST			
ITEM	DESCRIPTION	SKETCH	QTY
1	DRESSER		1 PC
2	MIRROR		1 PC
3	MIRROR SUPPORT		2 PCS

HARDWARE LIST				
ITEM	DESCRIPTION	SKETCH	SIZE	QTY
A	JCBC SCREW		M6 x 1-3/8"	8 PCS
B	SPRING WASHER		M6 x 1/2"	8 PCS
C	FLAT WASHER		M6 x 3/4"	8 PCS
D	L - KEY		M4	1 PC

STEP 1



IMPORTANT NOTE :

- * Place all wooden parts on a clean and smooth surface such as a rug or carpet to avoid the parts from being scratched.
- * Check to be sure that you have all parts and hardware.
- * Remove all wrapping materials, including staples & packing straps before you start to assemble.
- * Do not tighten all screws/bolts until all completely assembled.
- * Keep all hardware parts out of reach of children.



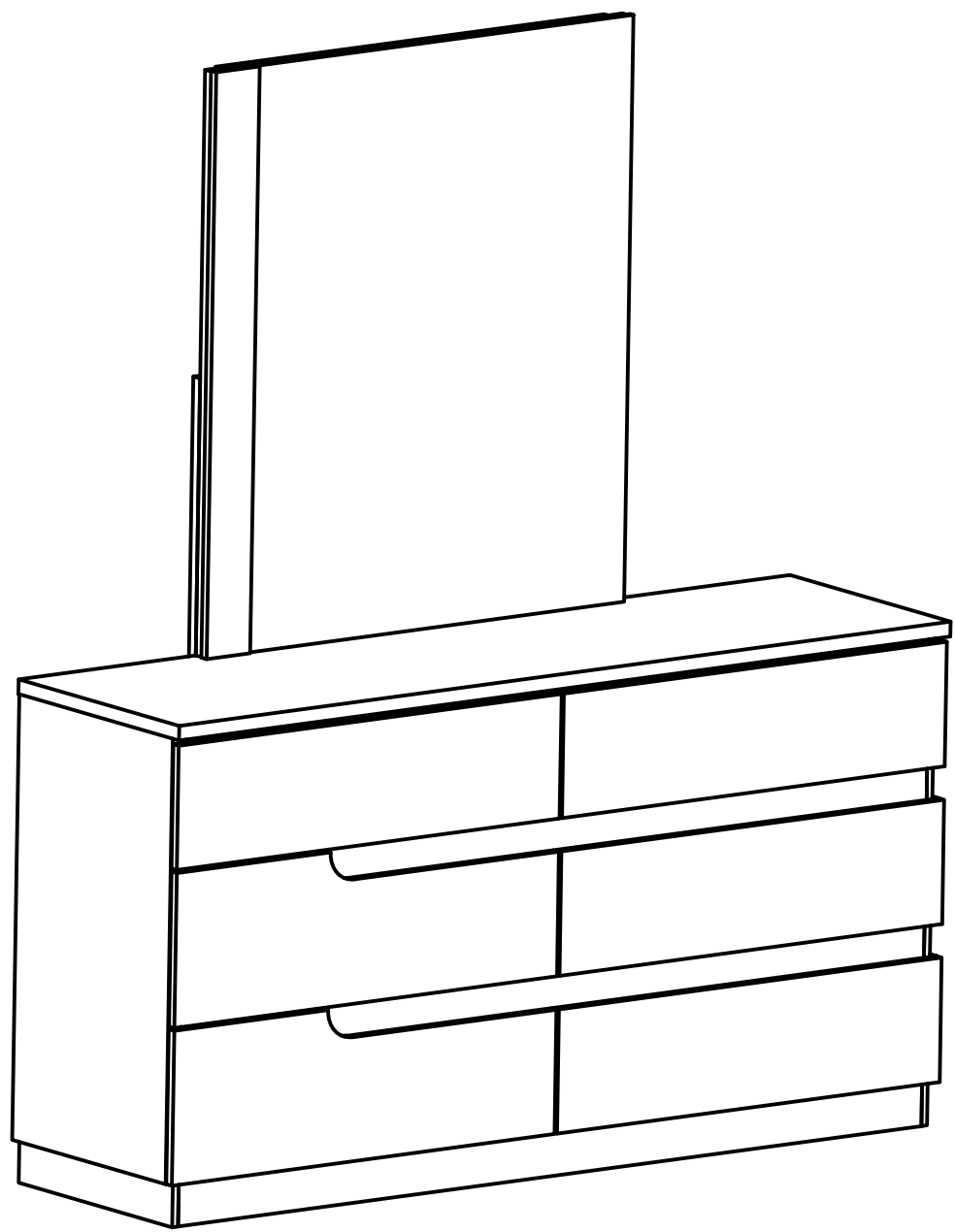
New
Classic[®]
FURNITURE

ASSEMBLY INSTRUCTIONS

B69-060 PARADOX MIRROR

PARADOX MIRROR

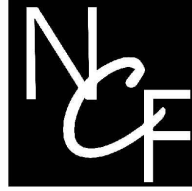
STEP 2



ASSEMBLY COMPLETED

IMPORTANT NOTE :

- * Place all wooden parts on a clean and smooth surface such as a rug or carpet to avoid the parts from being scratched.
- * Check to be sure that you have all parts and hardware.
- * Remove all wrapping materials, including staples & packing straps before you start to assemble.
- * Do not tighten all screws/bolts until all completely assembled.
- * Keep all hardware parts out of reach of children.




New
Classic®
FURNITURE


ASSEMBLY INSTRUCTIONS

B69-070 PARADOX CHEST

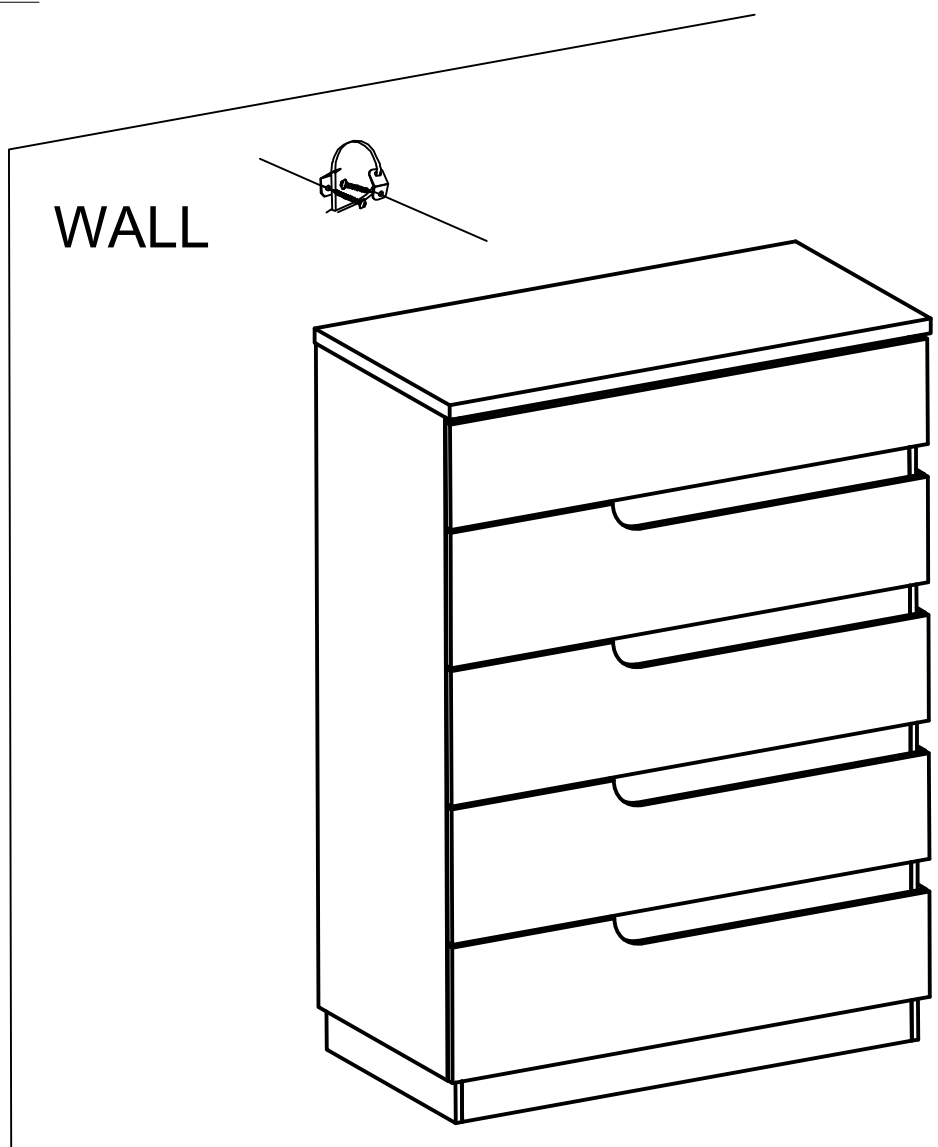
PARADOX CHEST

Thank you for purchasing this quality product. Be sure to check all packing materials carefully for small parts, which may have come loose inside the carton during shipment. Identify and count all items and compare with the parts list and/or hardware list shown below.

PARTS LIST			
ITEM	DESCRIPTION	SKETCH	QTY
1	CHEST		1 PC

HARDWARE LIST			
ITEM	DESCRIPTION	SKETCH	QTY
A	ANTI-TIP KIT		1 SET

STEP 1



WALL

PRODUCT

WALL

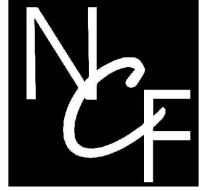
WALL

(A)

For safety, please use the provided hardware to secure the unit onto the wall.

IMPORTANT NOTE :

- * Place all wooden parts on a clean and smooth surface such as a rug or carpet to avoid the parts from being scratched.
- * Check to be sure that you have all parts and hardware.
- * Remove all wrapping materials, including staples & packing straps before you start to assemble.
- * Do not tighten all screws/bolts until all completely assembled.
- * Keep all hardware parts out of reach of children.



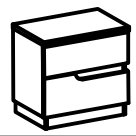
New
Classic[®]
FURNITURE

ASSEMBLY INSTRUCTIONS

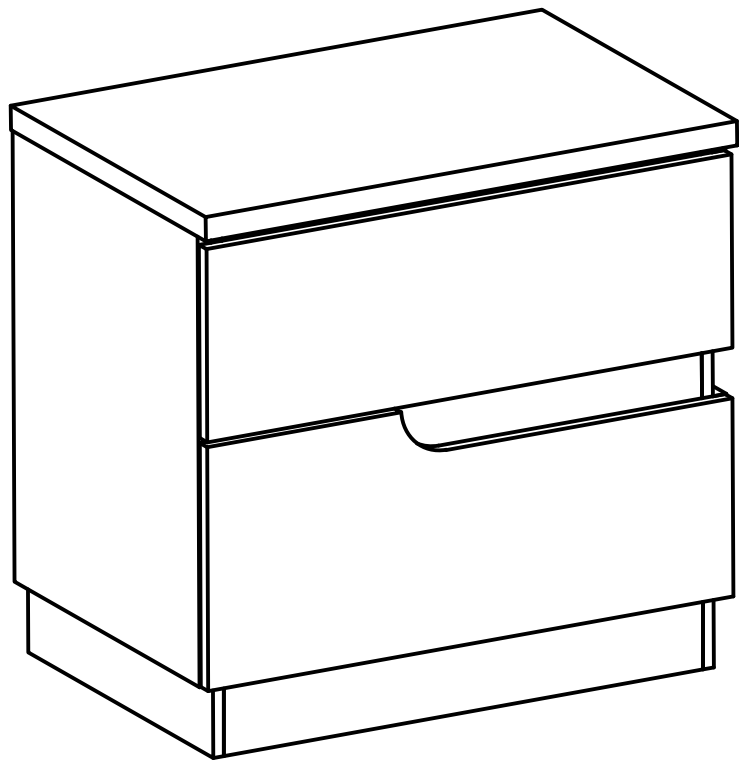
B69-040 PARADOX NIGHTSTAND

PARADOX NIGHTSTAND

Thank you for purchasing this quality product. Be sure to check all packing materials carefully for small parts, which may have come loose inside the carton during shipment. Identify and count all items and compare with the parts list and/or hardware list shown below.

PARTS LIST			
ITEM	DESCRIPTION	SKETCH	QTY
1	NIGHTSTAND		1 PC

STEP 1



IMPORTANT NOTE :

- * Place all wooden parts on a clean and smooth surface such as a rug or carpet to avoid the parts from being scratched.
- * Check to be sure that you have all parts and hardware.
- * Remove all wrapping materials, including staples & packing straps before you start to assemble.
- * Do not tighten all screws/bolts until all completely assembled.
- * Keep all hardware parts out of reach of children.