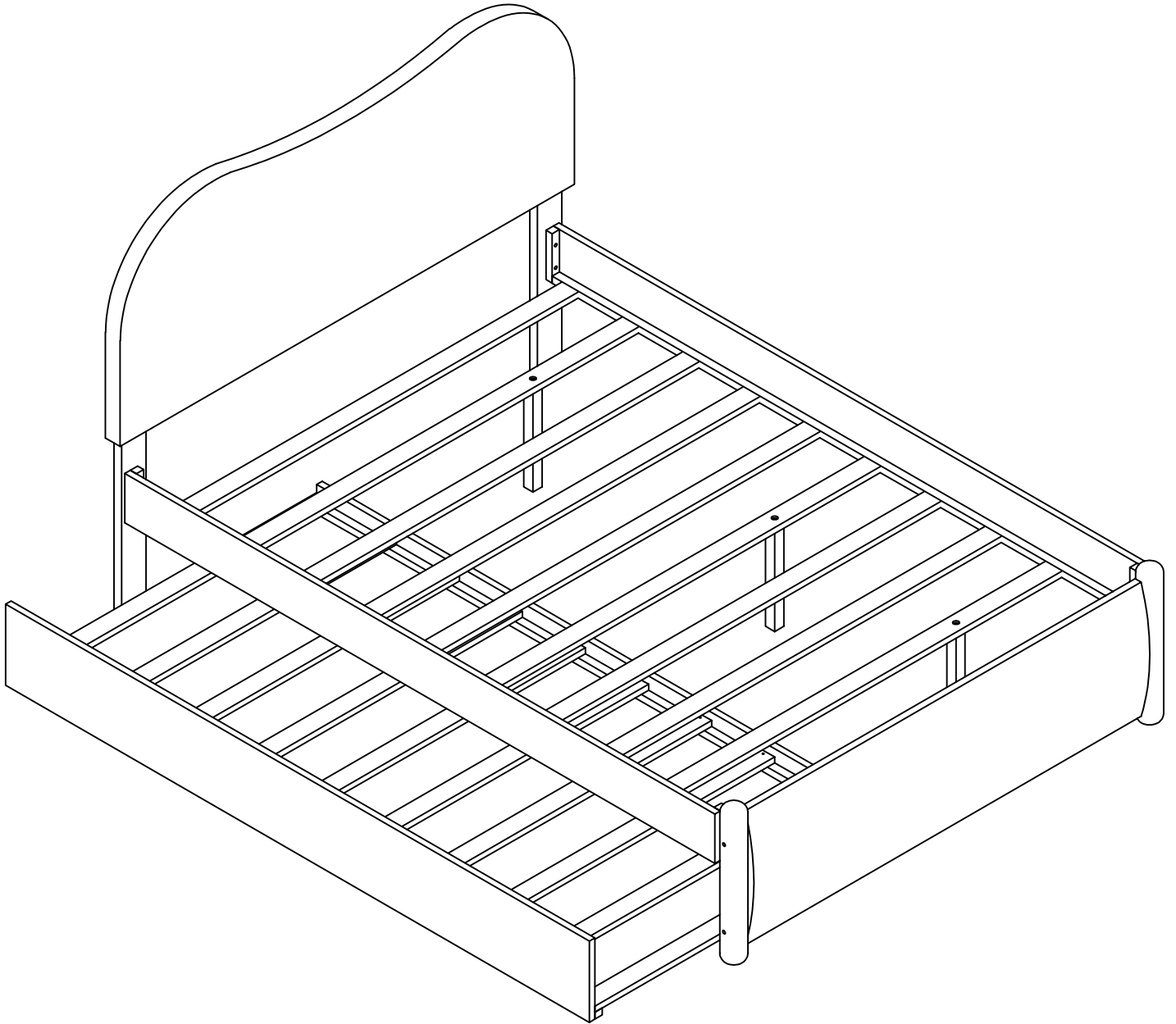
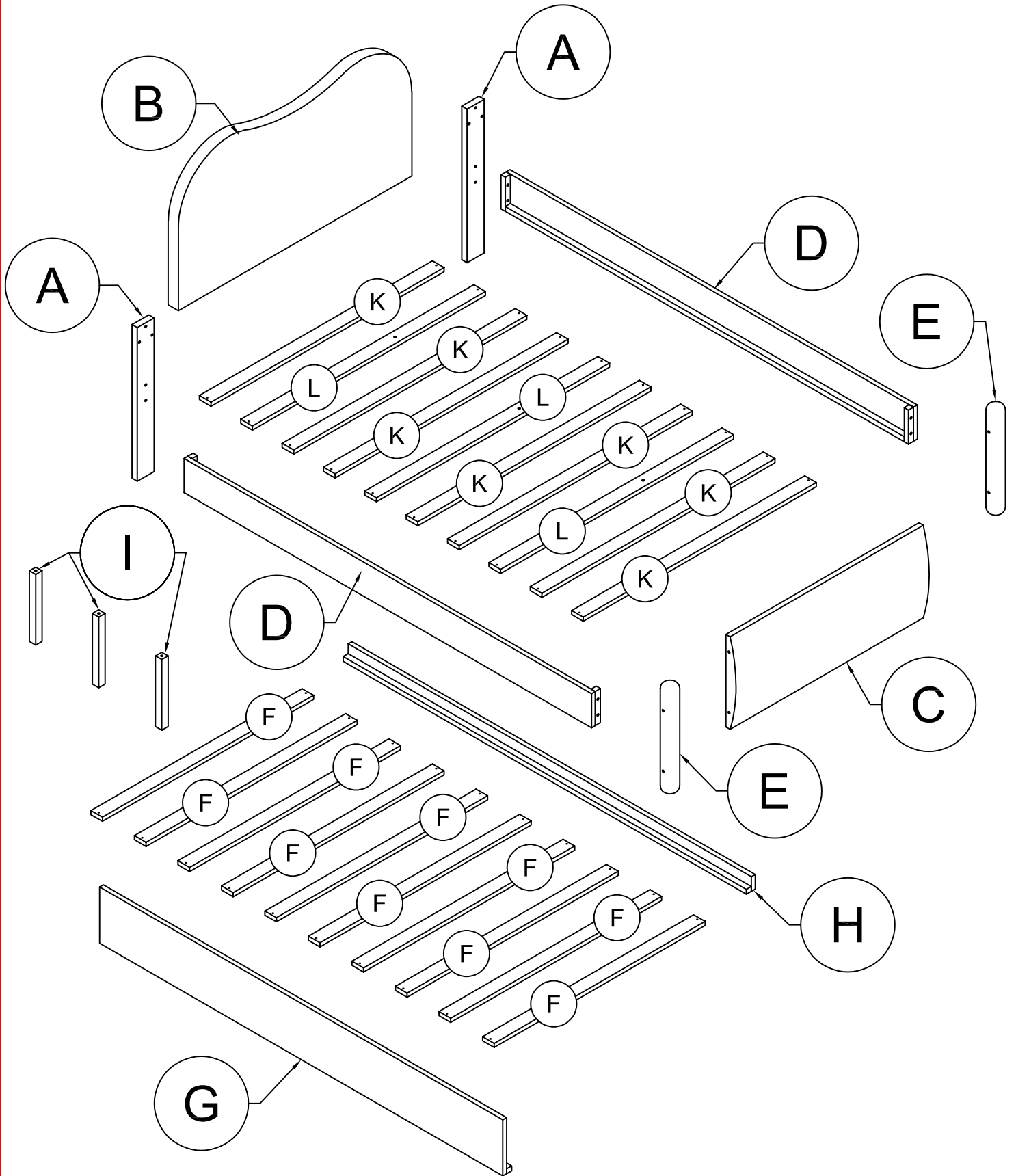


ASSEMBLY INSTRUCTION

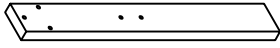


ASSEMBLY INSTRUCTION



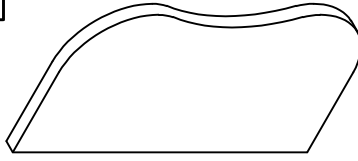
Part List

A



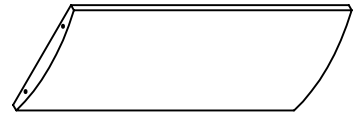
Leg (HB Font) - 2pcs

B



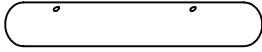
HB Frames - 1pcs

C



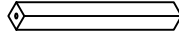
FB Frames - 1pcs

E



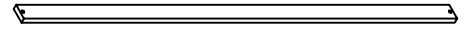
Leg (FB Back)- 2pcs

I



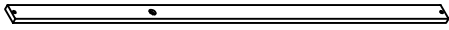
Support Leg - 3pcs

K



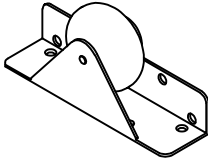
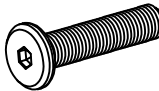
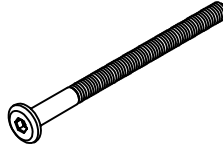





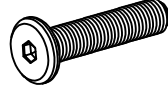
Slats - 7pcs

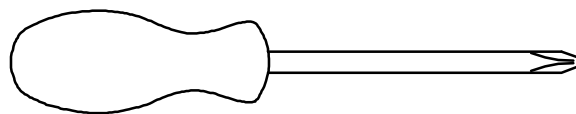
L



Slats - 3pcs

Hardware List

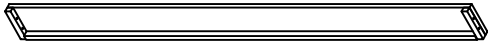
<p>1</p>  <p>Wheels 4pcs</p>	<p>2</p>  <p>1/4" x 40mm Hex-Head bolts 14pcs</p>	<p>3</p>  <p>1/4" x 100mm Hex-Head bolts 4pcs</p>
<p>4</p>  <p>Allen Key 1pcs</p>	<p>5</p>  <p>Steel Bracket 3pcs</p>	<p>6</p>  <p>Plastic Drawer Stopper 4 pcs</p>
<p>7</p>  <p>M4 x 15 mm Wood Screws 12pcs</p>	<p>8</p>  <p>M4 x 30 mm Wood Screws 40pcs</p>	<p>9</p>  <p>1/4" x 30mm Hex-Head bolts 3pcs</p>



Assembly Tools Required (Not Included)

Part List

D



Side Rails - 2pcs

F



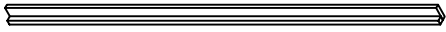
Slats - 10pcs

G



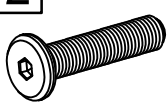
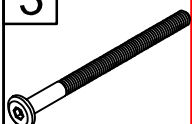
Font Trundle - 1pcs

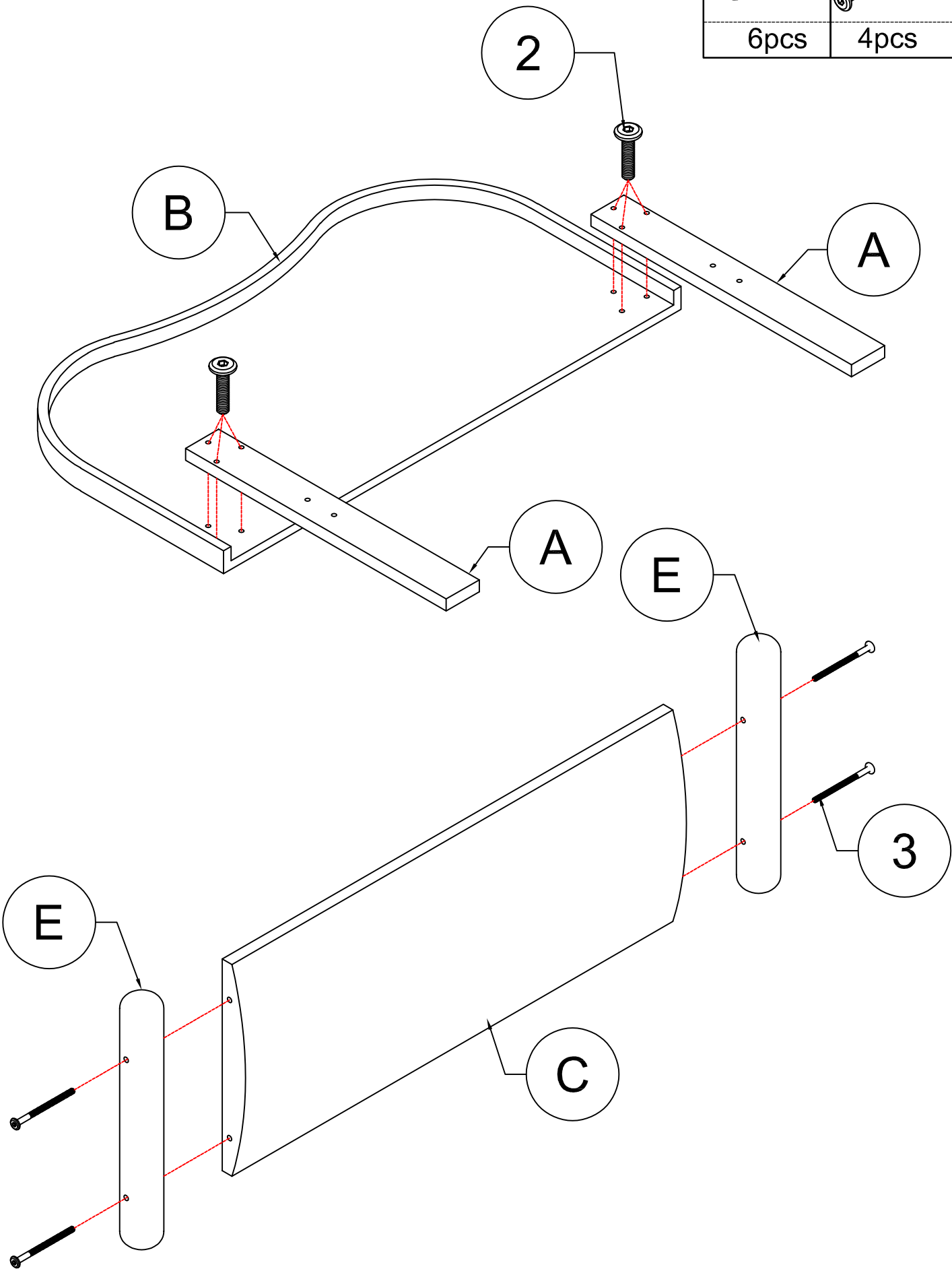
H



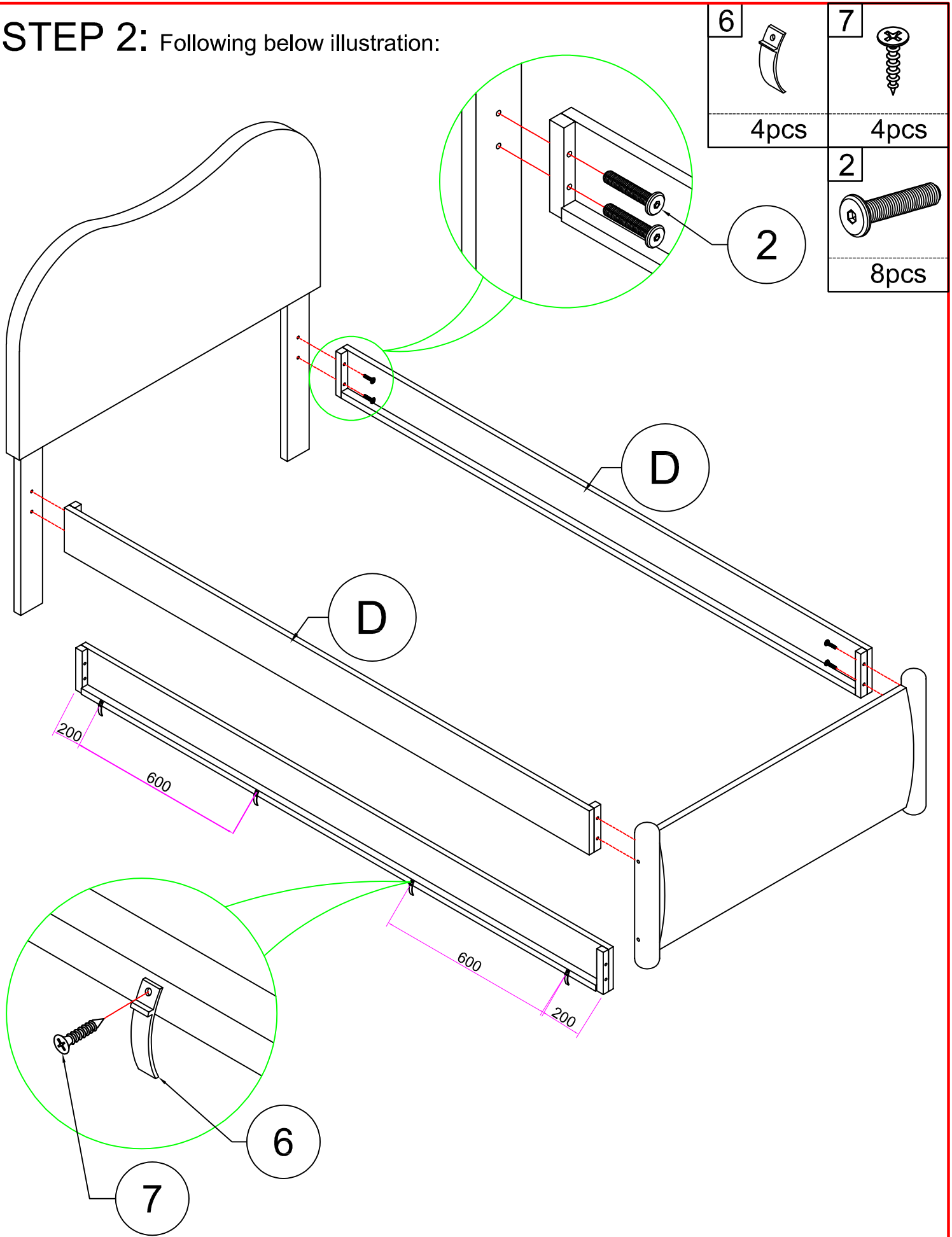
Back Trunlde - 1pcs

STEP 1: Following below illustration:


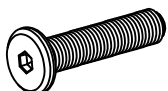
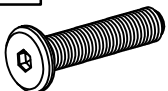
2	3
	
6pcs	4pcs

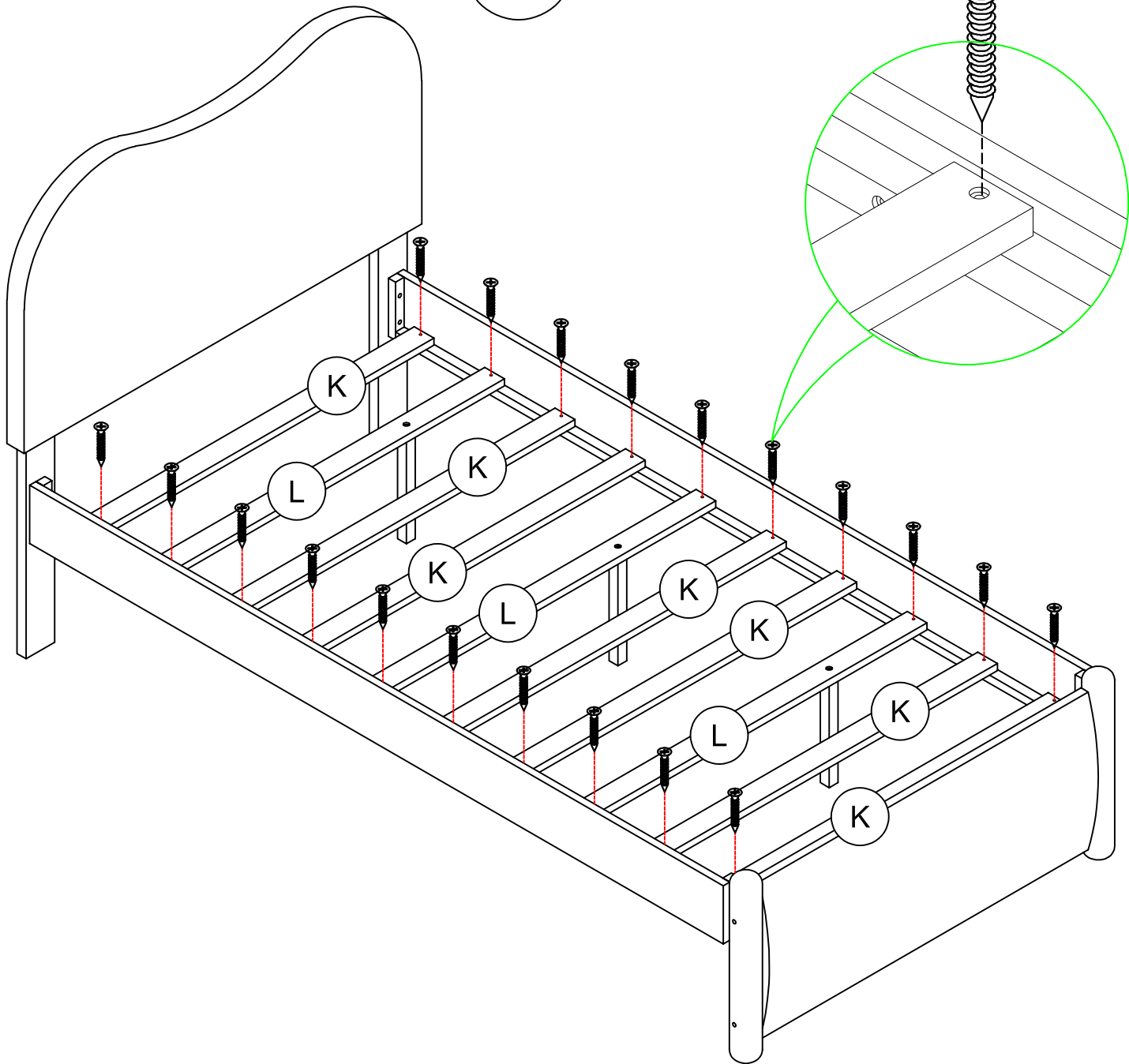
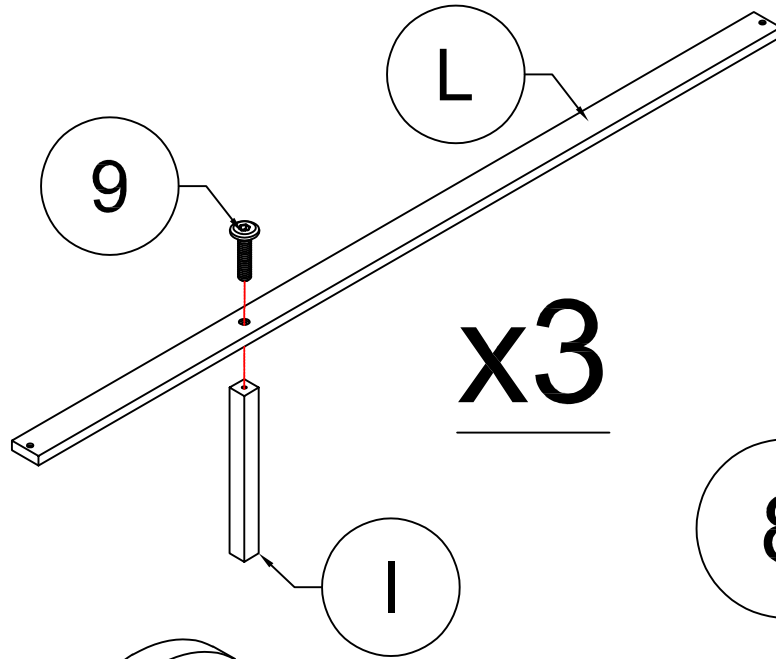


STEP 2: Following below illustration:

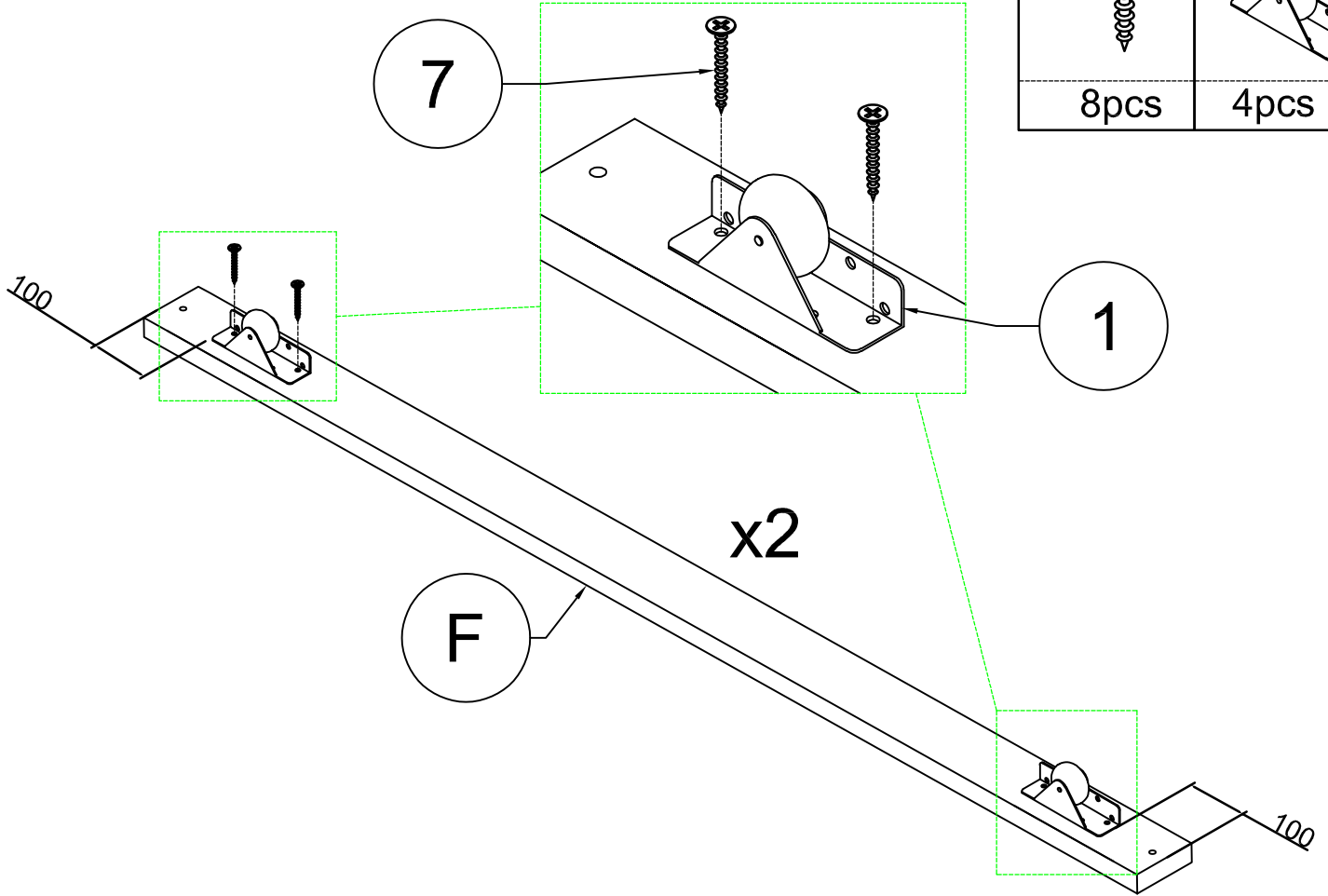


STEP 3: Following below illustration:

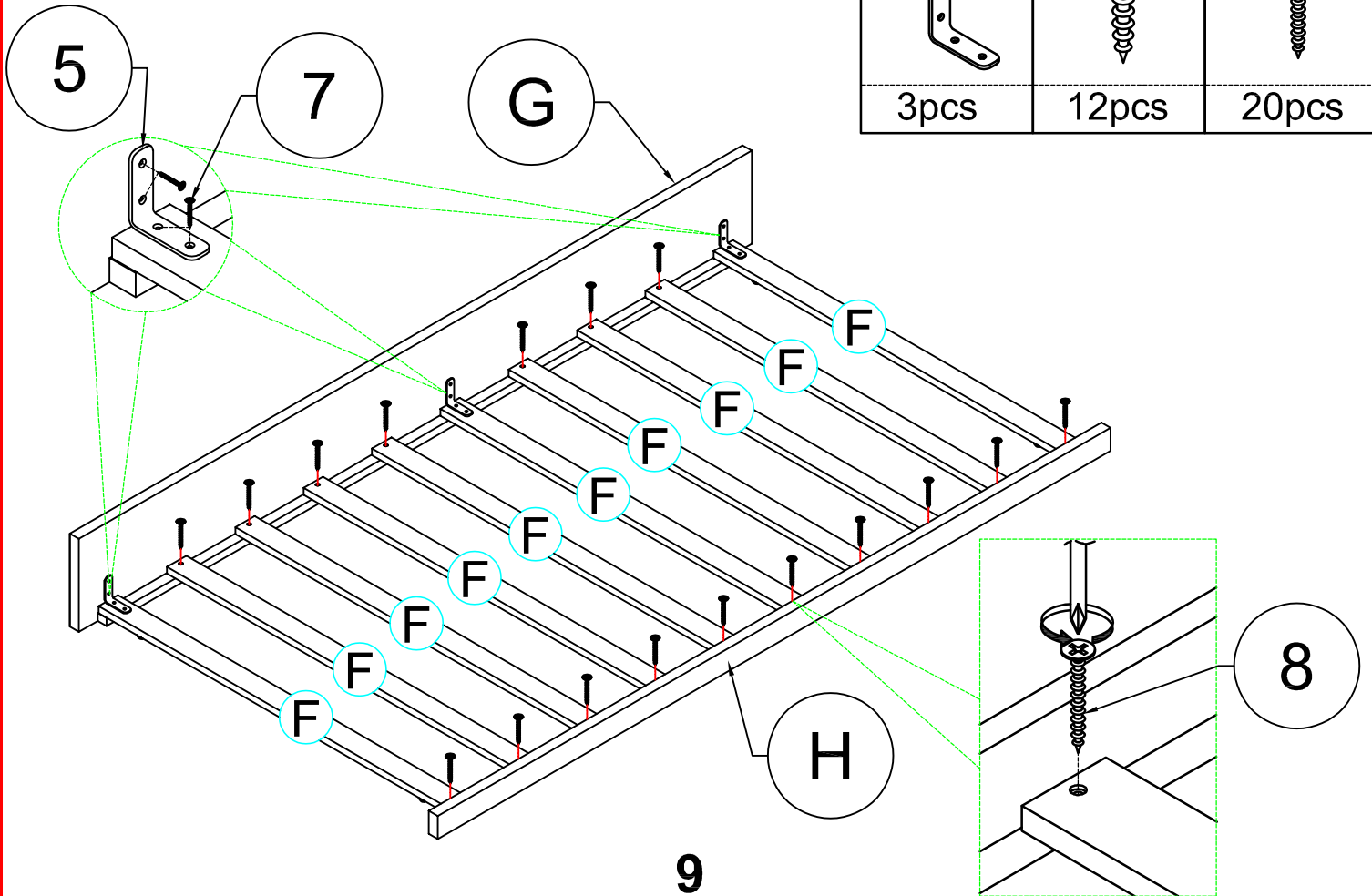
8		2	
20pcs		3pcs	
		9	
		3pcs	



STEP 4: Following below illustration:



STEP 5: Following below illustration:



FINISH

