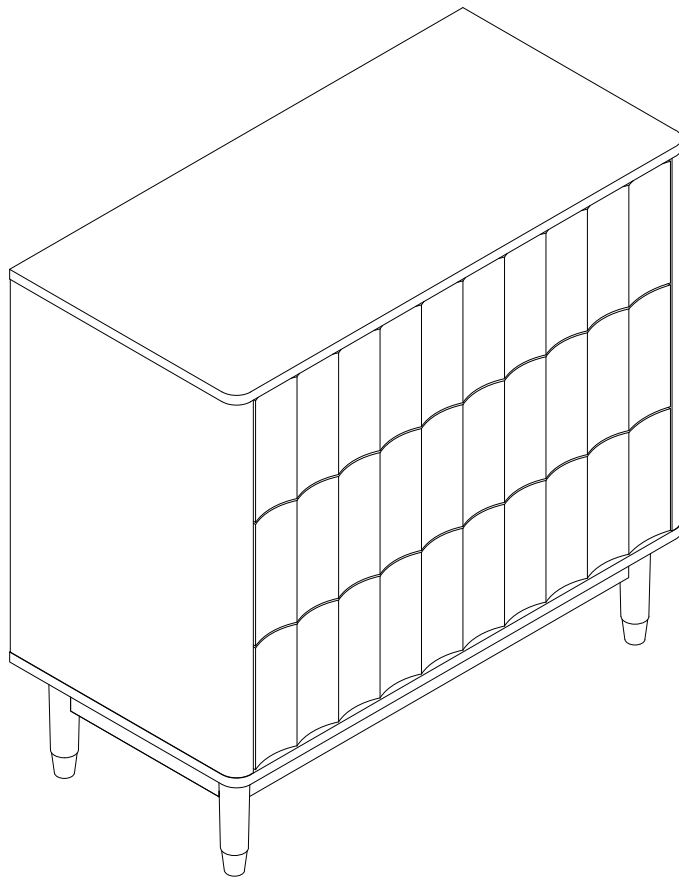


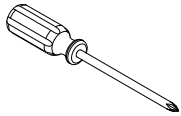
Installation Instruction



Assembling

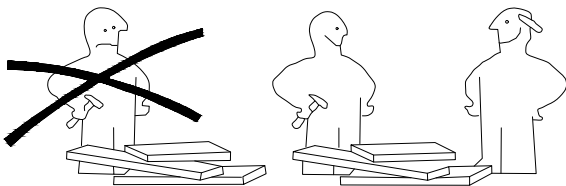
What you need

- Use the packaging carton as a working surface to prevent product damage during assembly
- Phillips head screwdriver



Weight Limitation


100 | **35**
 lbs table top lbs per

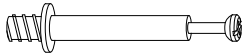


What' included

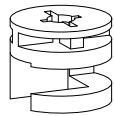
Code	Description	Qty
A	Cam Bolt M6X35MM	37
B	Cam Lock 15X9MM	37
C	Wooden Dowel M8X30MM	8
D	Screw M4X40MM	21
E	The screw M3.5X12MM	64
F	Can bolt M4X18MM	12
G	The back button	8
H	Thumbtack	4
I	Anchor	2
J	Nylon Strap	2
K	The screw M6X40MM	8
L	Reinforced iron sheet	4
M	Spring washer	8
N	Gasket	8
O	Door Rebound Device Holder	3
P	Door Rebound Device	3
Q	Vrench M4X55MM	1
CL	Left mother extended orbit	3
CR	Right mother extended orbit	3
DL	Left public extension track	3
DR	Right public extends track	3

The Hardwares

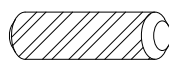
A



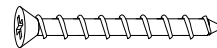
B



C



D



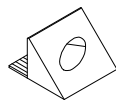
E



F



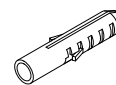
G



H



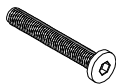
I



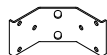
J



K



L



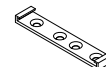
M



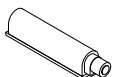
N



O



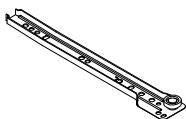
P



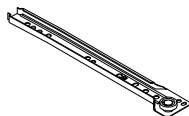
Q



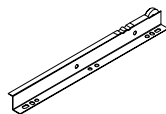
CL



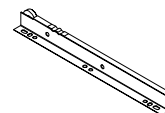
CR



DL



DR



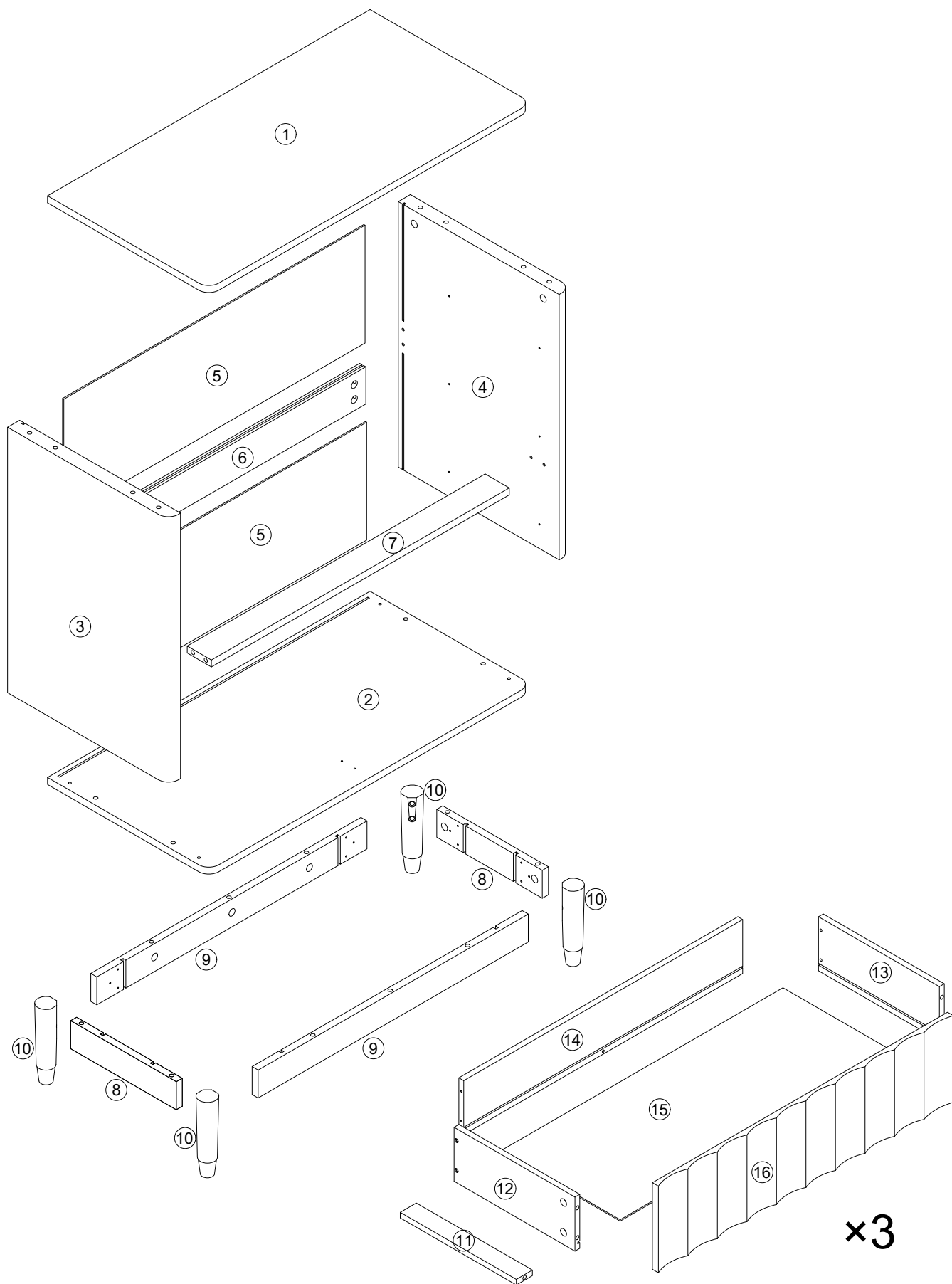
IMPORTANT:

1. Do not tighten bolts / screws completely until all bolts / screws are lined up and inserted into holes.
2. Do not over tighten screws and bolts to avoid stripping
3. Please use hand tools to assemble this product, you can also use power tools (please use power tools carefully)

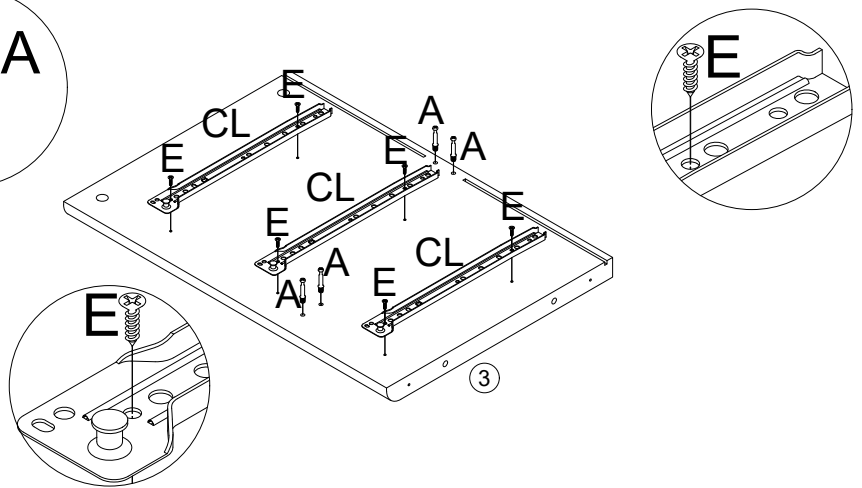
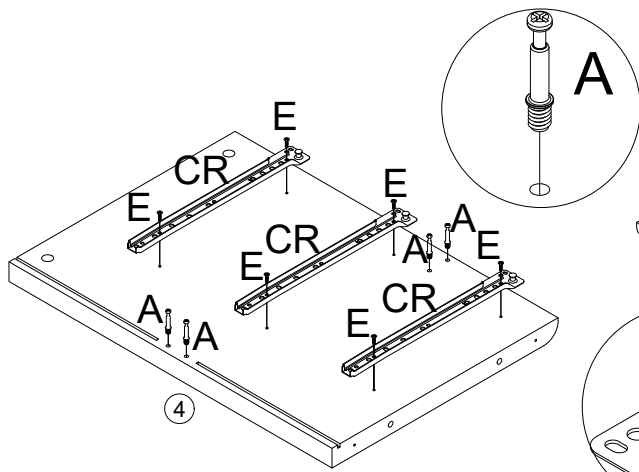
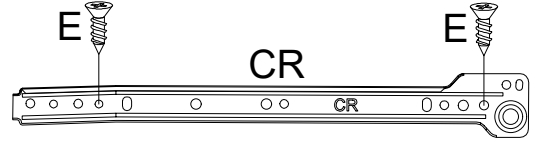
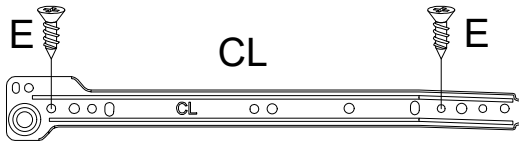
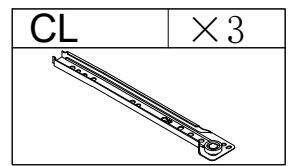
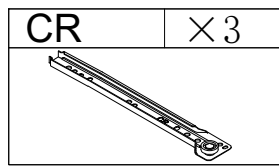
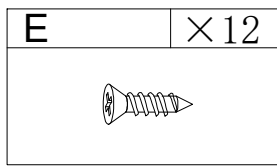
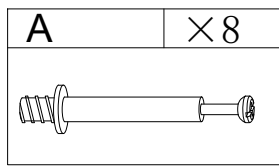
Included Accessories

Code	Description	Qty
1	Cabinet Top	1
2	Bottom Panel	1
3	Left Side Panel	1
4	Right Side Panel	1
5	Backplane	2
6	After the gusset plates	1
7	Drawer damper	1
8	Short drain	2
9	Long drain	2
10	Supporting leg	4
11	Baffle plate	3
12	Drawer left panel	3
13	Drawer right side panel	3
14	After the drawer board	3
15	The drawer bottom	3
16	Drawer panel	3

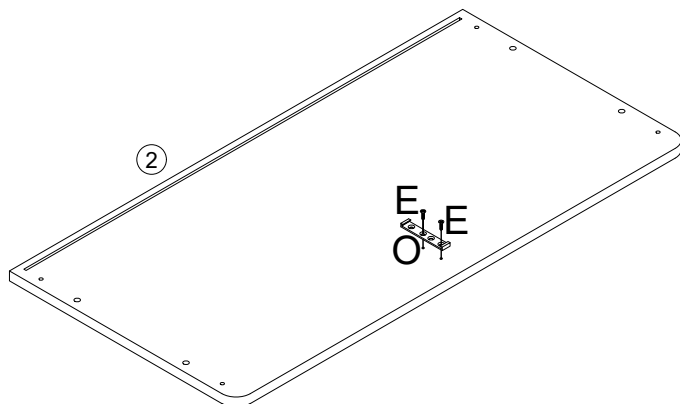
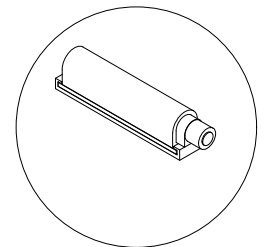
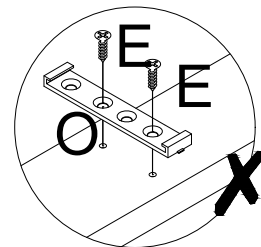
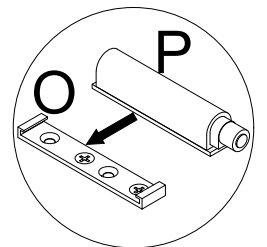
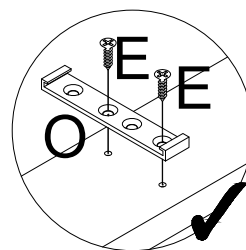
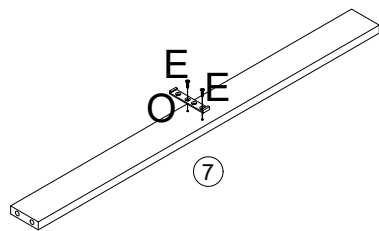
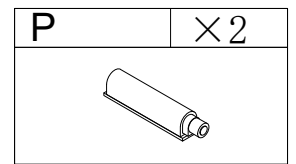
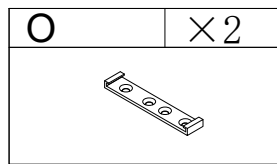
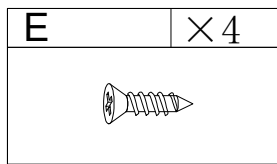
The Accessoriess



Step 1

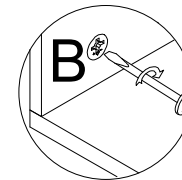
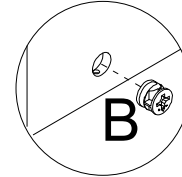
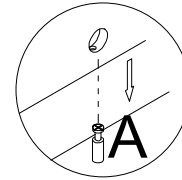
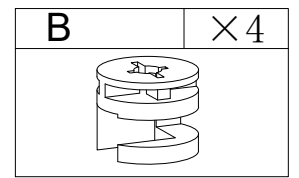
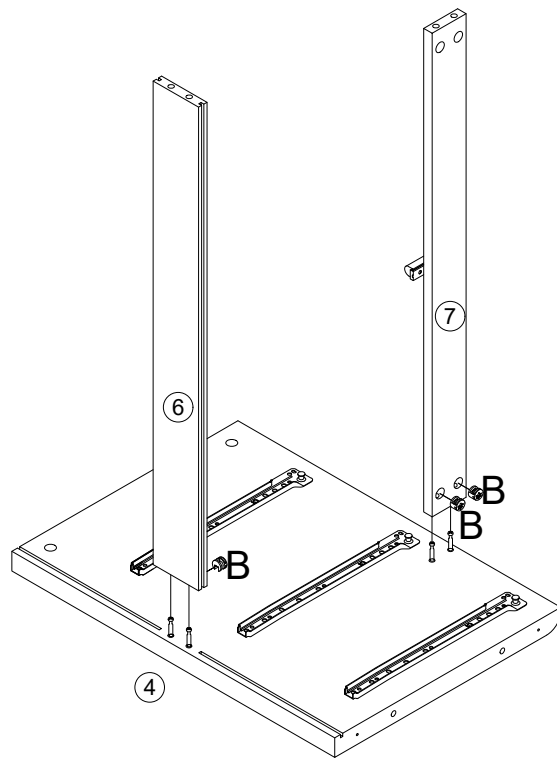


Step 2

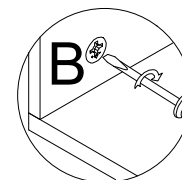
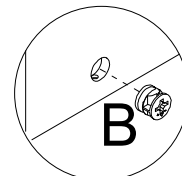
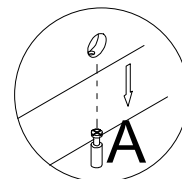
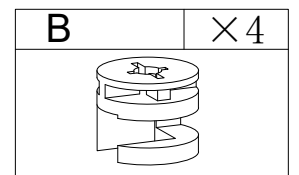
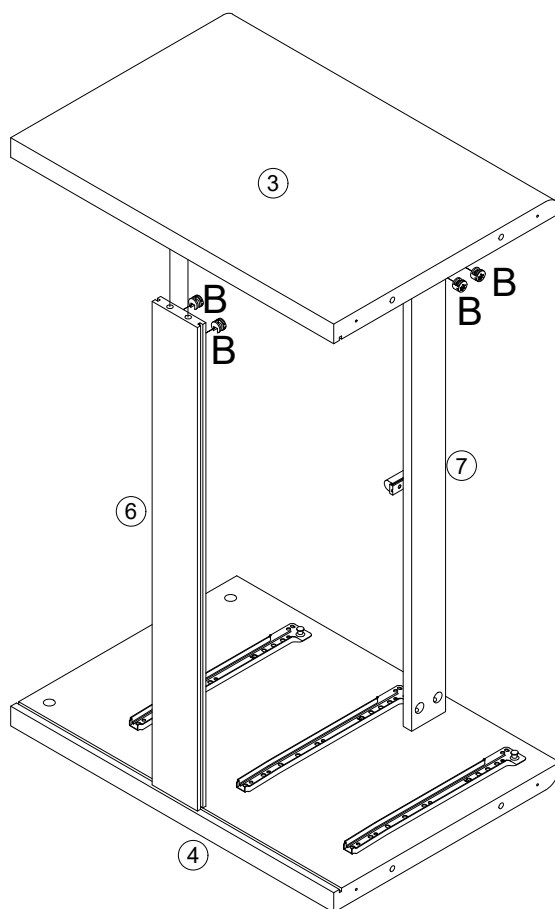


Make sure you put the O lock on the board before you can put P in.

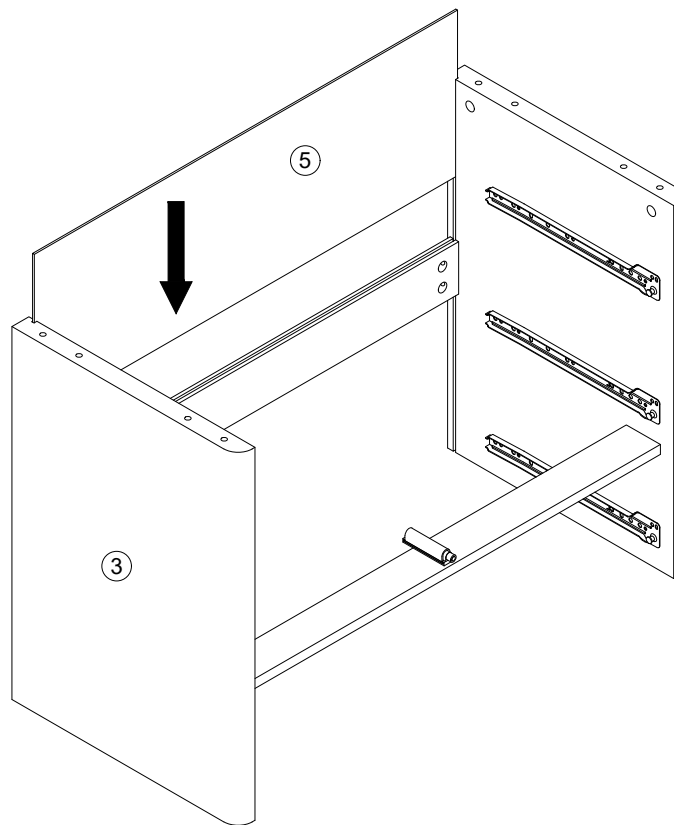
Step 3



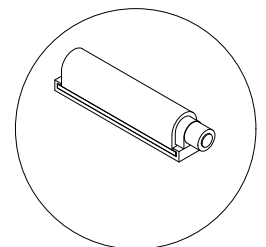
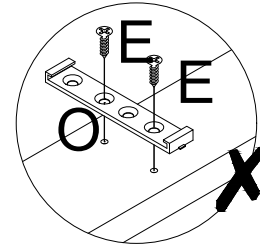
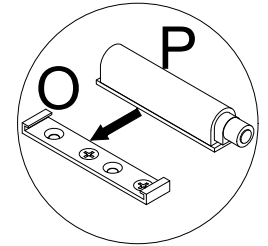
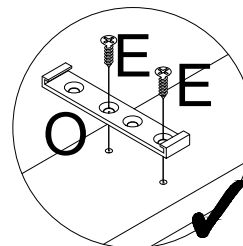
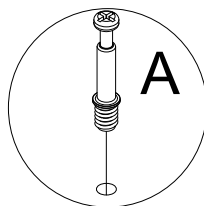
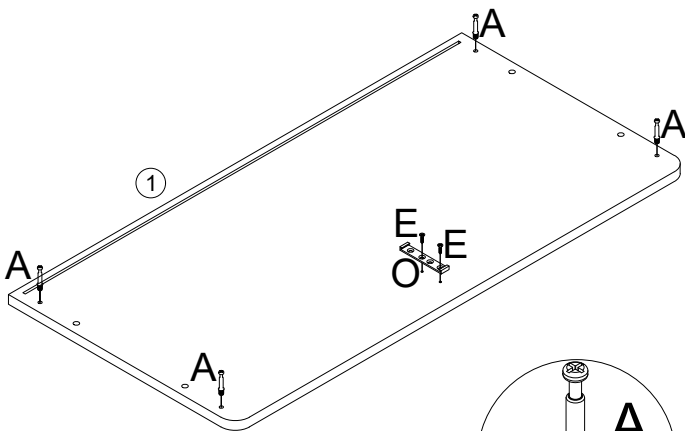
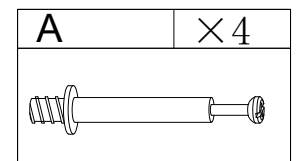
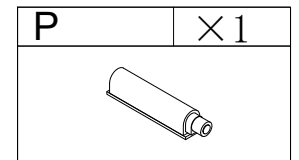
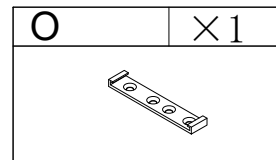
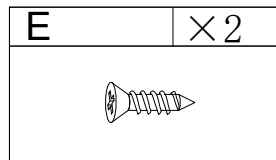
Step 4



Step 5

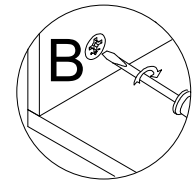
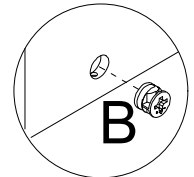
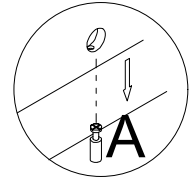
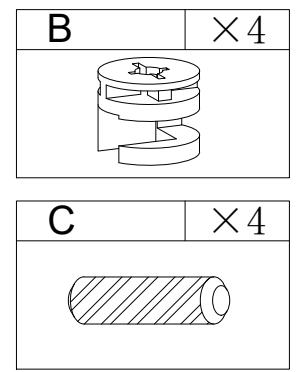
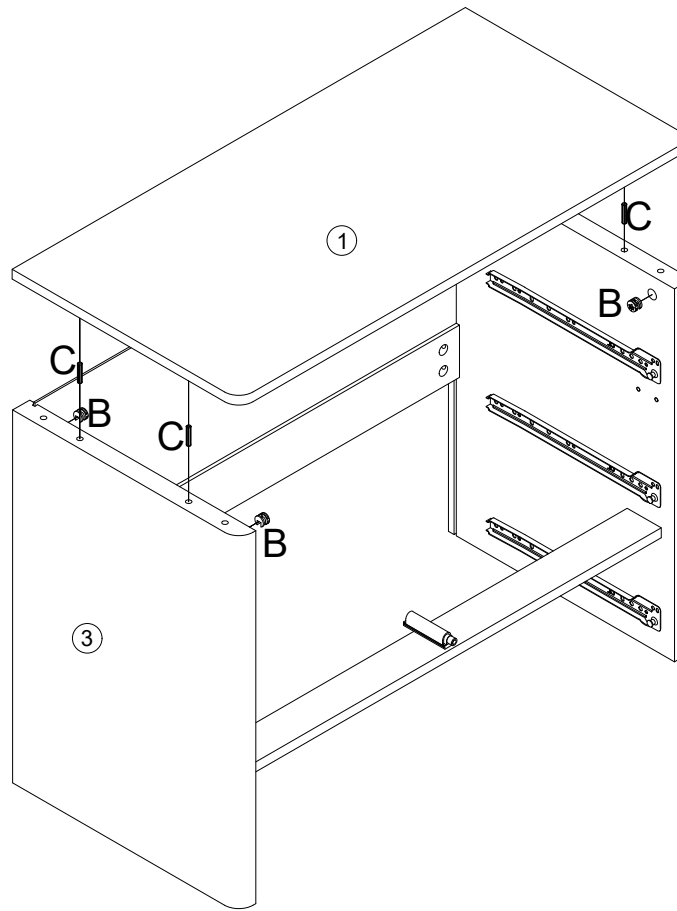
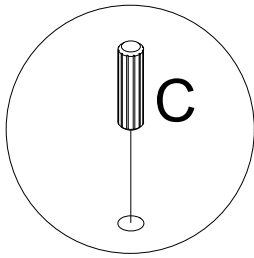


Step 6

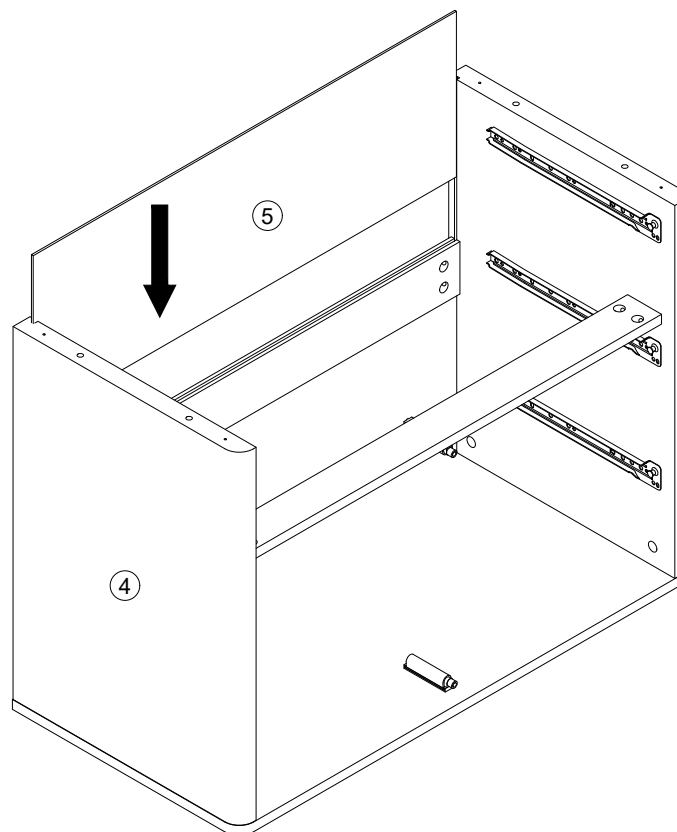


Make sure you put the O lock on the board before you can put P in.

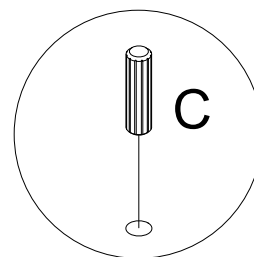
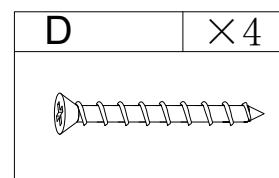
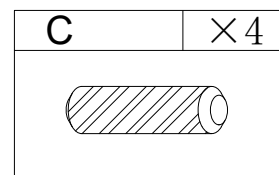
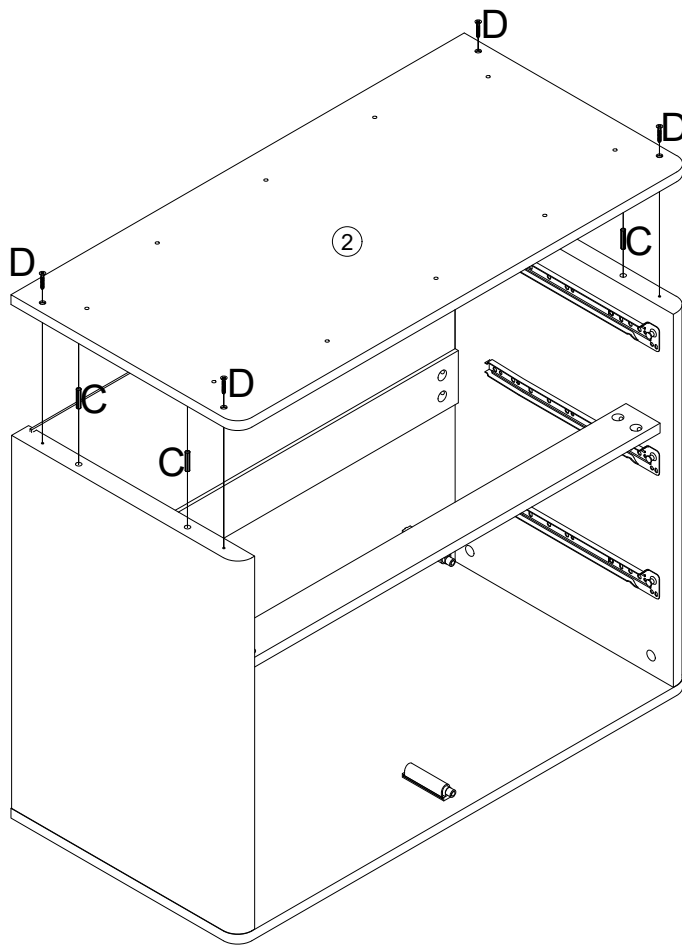
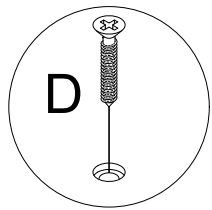
Step 7



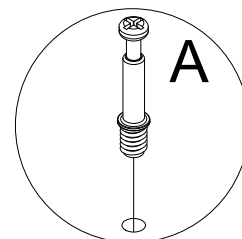
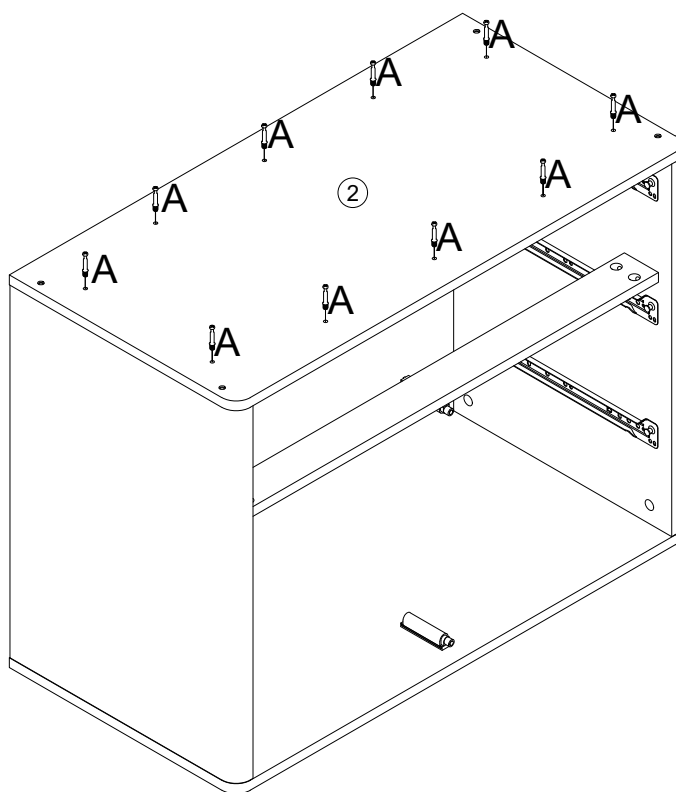
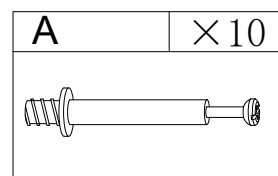
Step 8



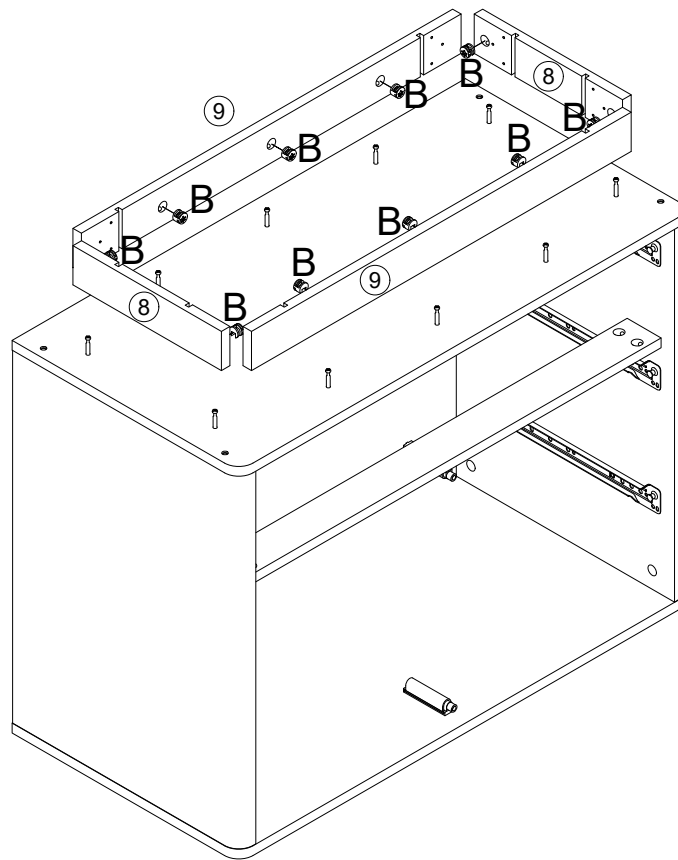
Step 9



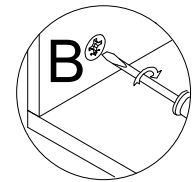
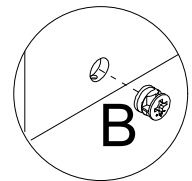
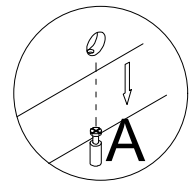
Step 10



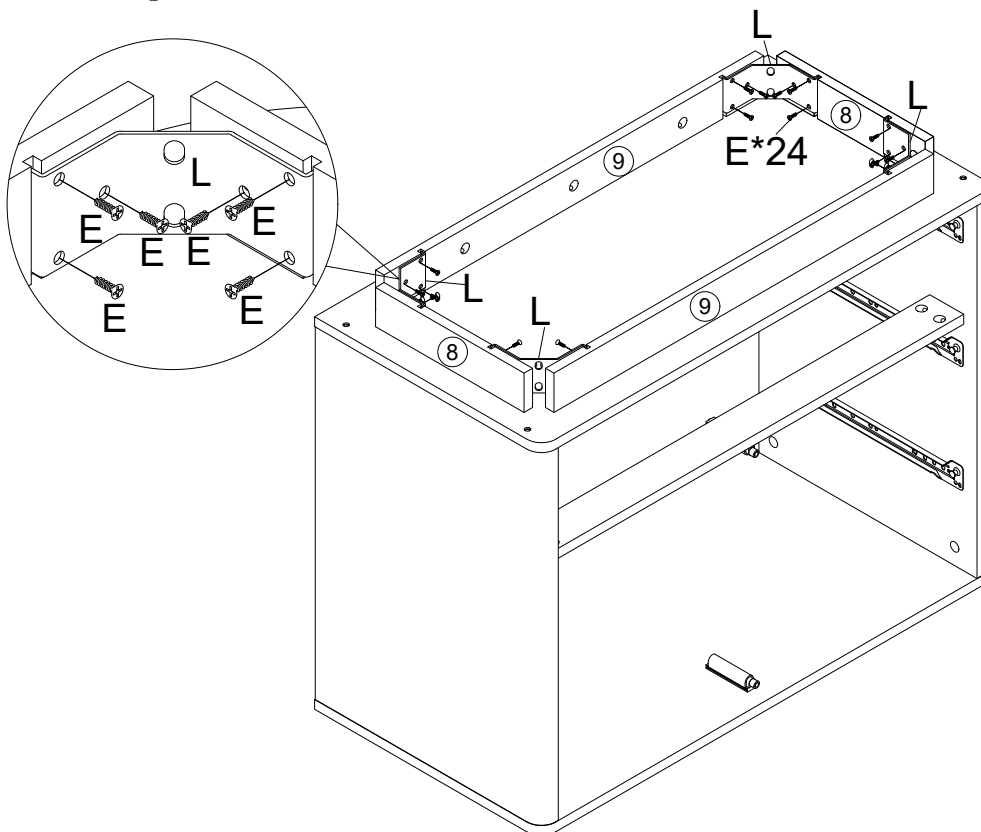
Step 11



B	×10



Step 12

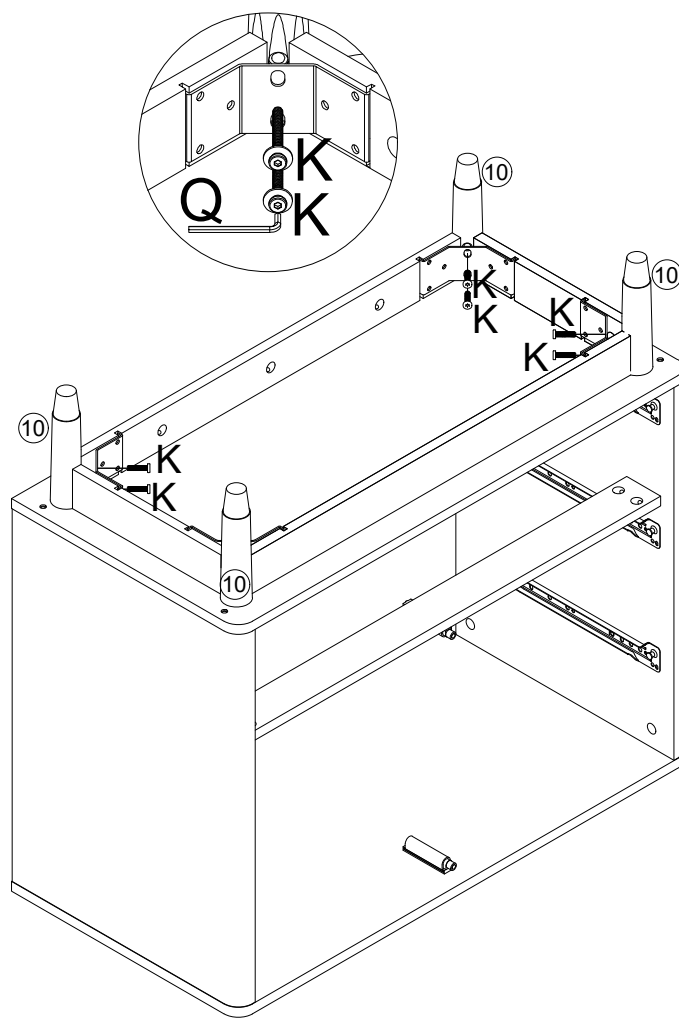


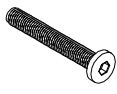



L	×4

E	×24

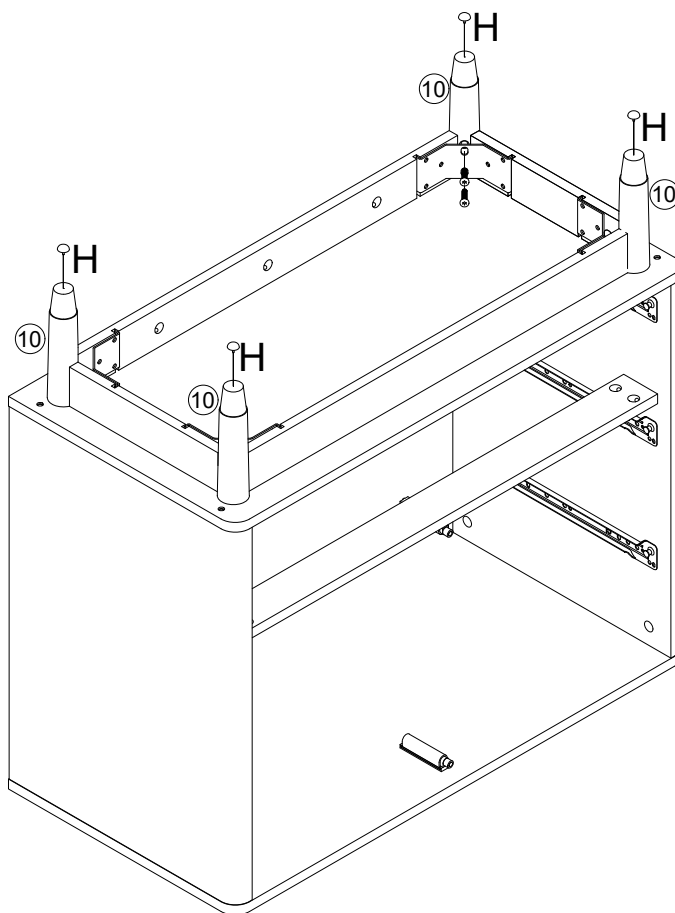
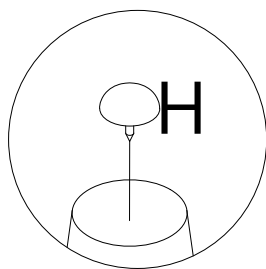
Step 13


K
M
N
x8



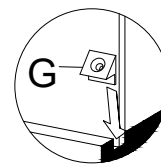
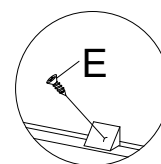
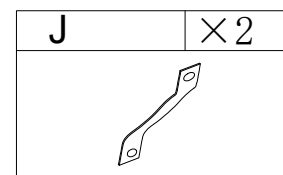
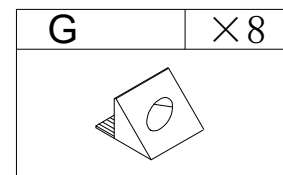
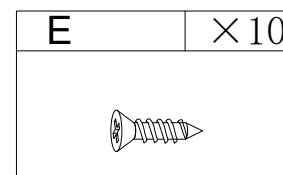
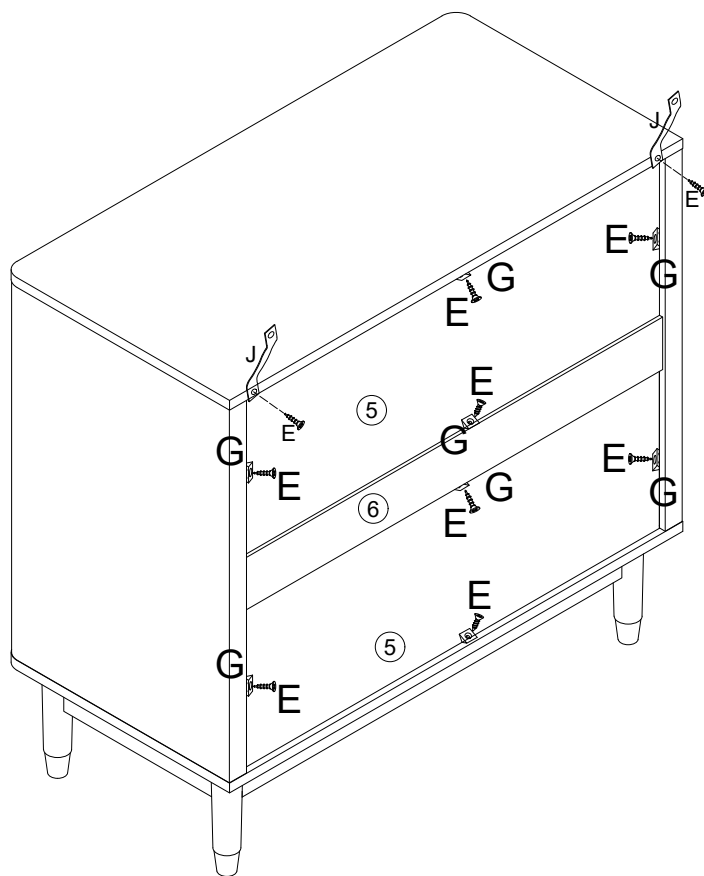
K	×8
	
M	×8
	
N	×8
	
Q	×1
	

Step 14

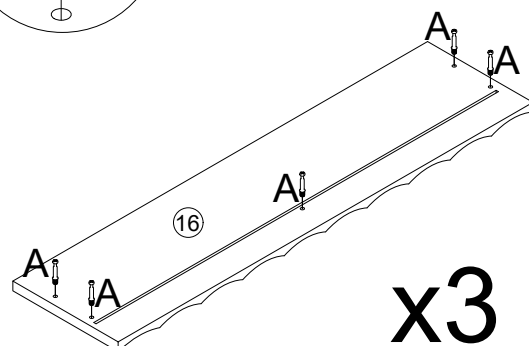
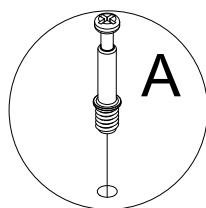


H	×4
	

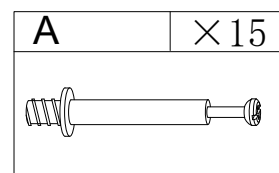
Step 15



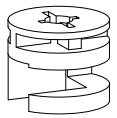

Step 16

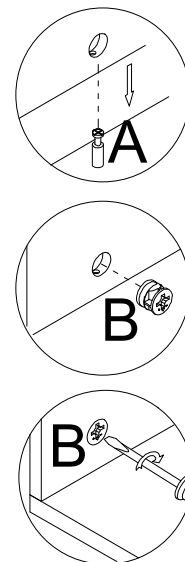
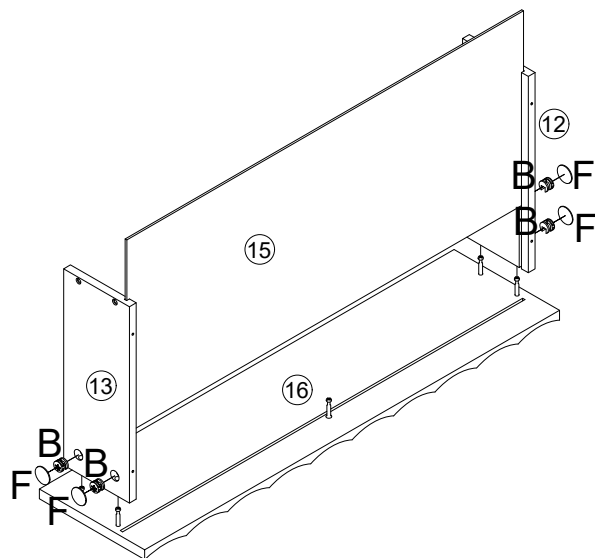
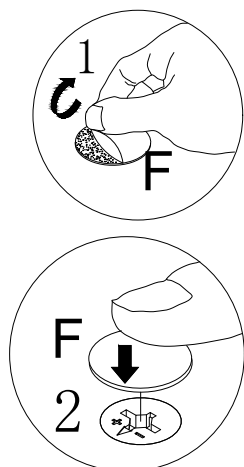


x3

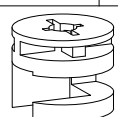


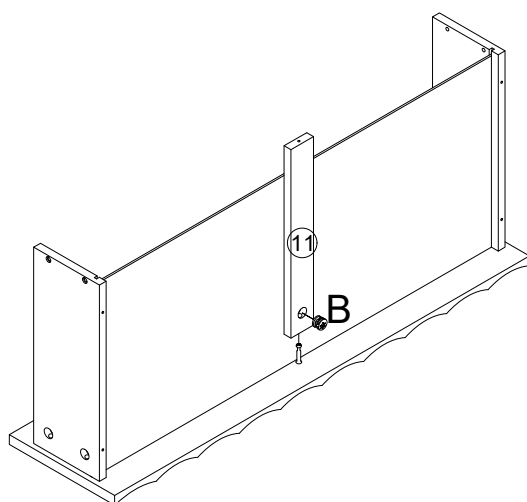
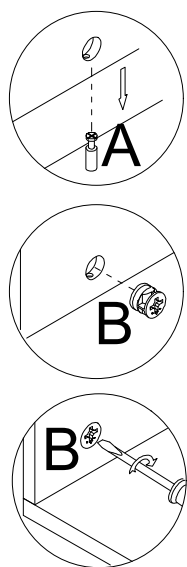
Step 17

B	×12	F	×12
			

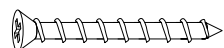


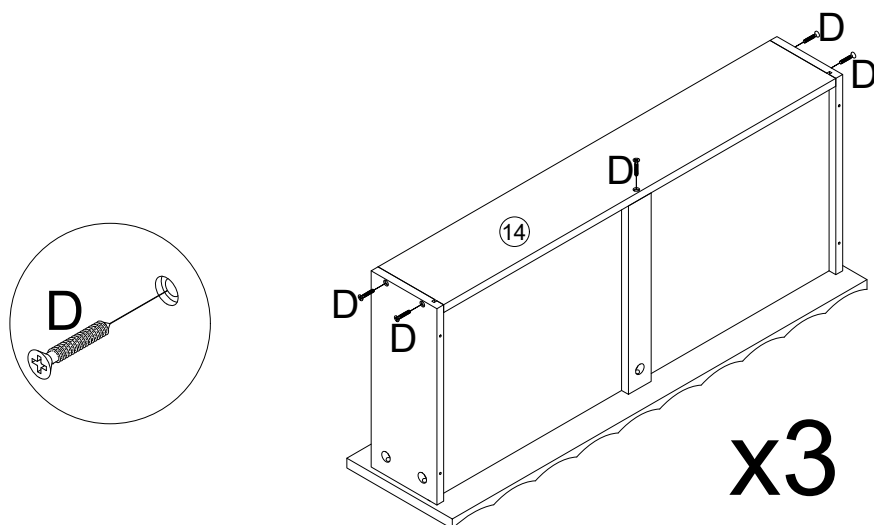
Step 18

B	×3
	




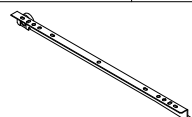
Step 19

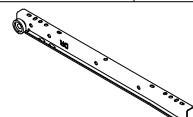
D	×15
	

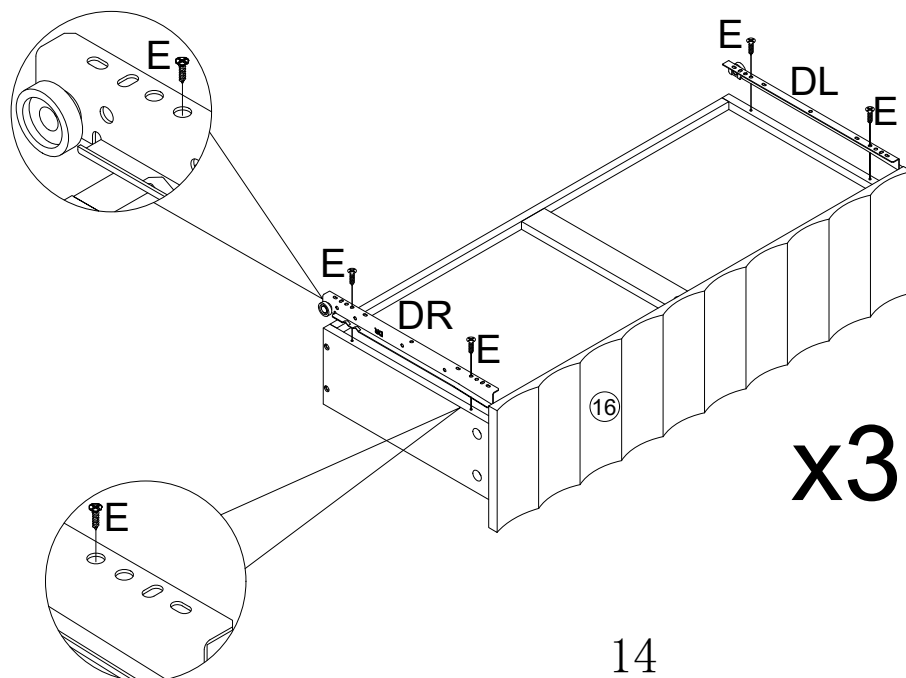
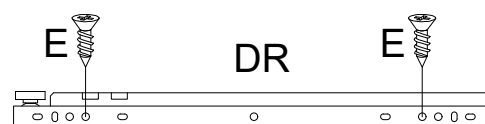
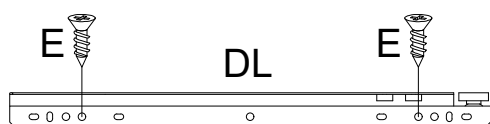


Step 20

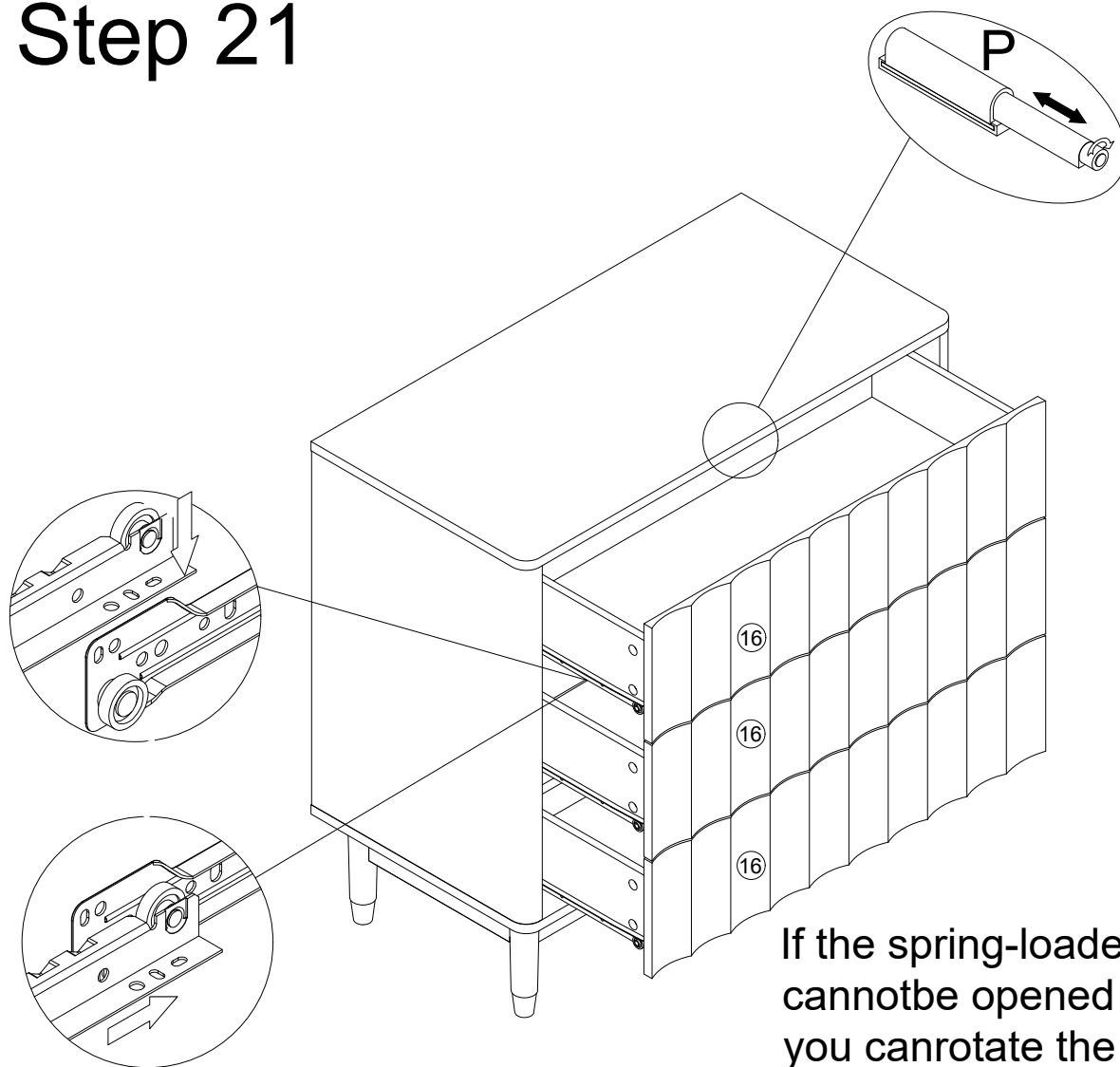
E	×12
	

DL	×3
	

DR	×3
	

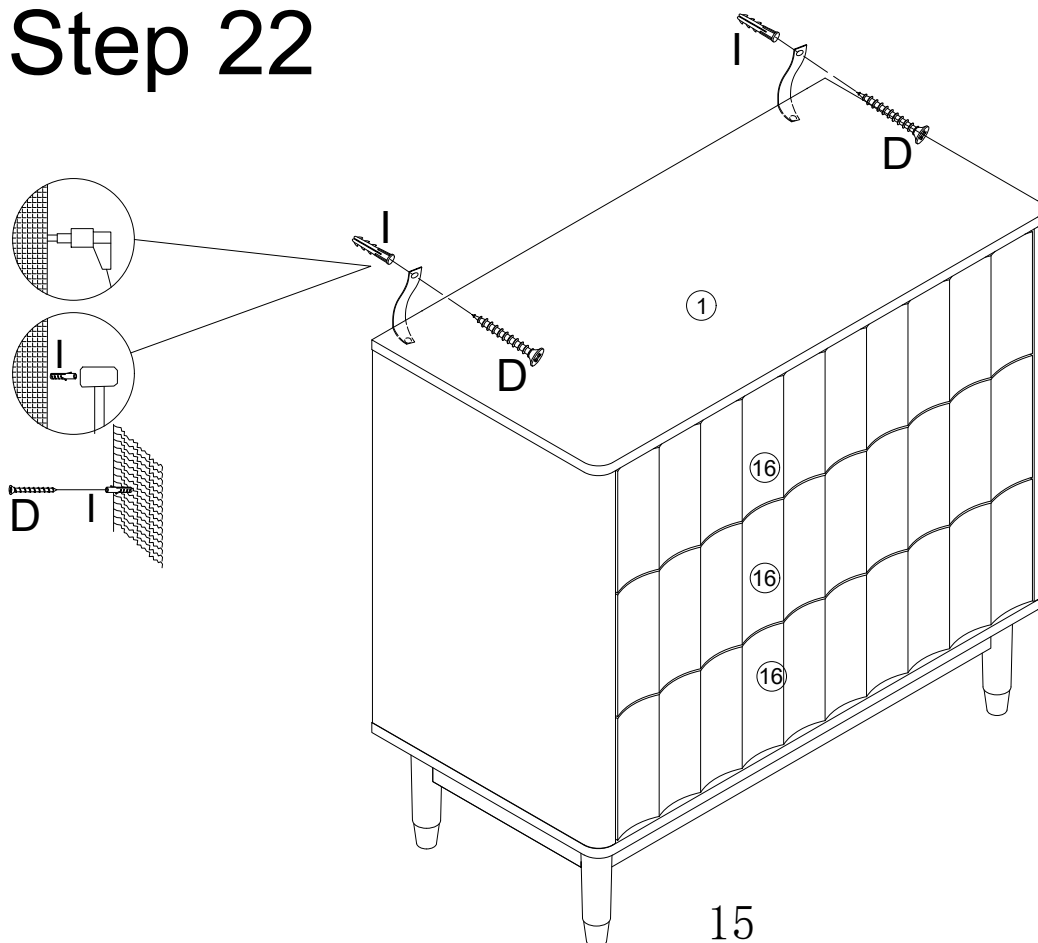


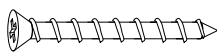
Step 21

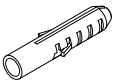


If the spring-loaded drawer cannot be opened by pressing, you can rotate the head of component M to adjust its length.

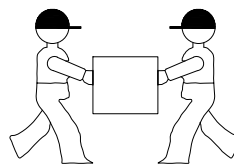
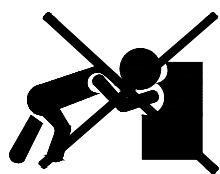
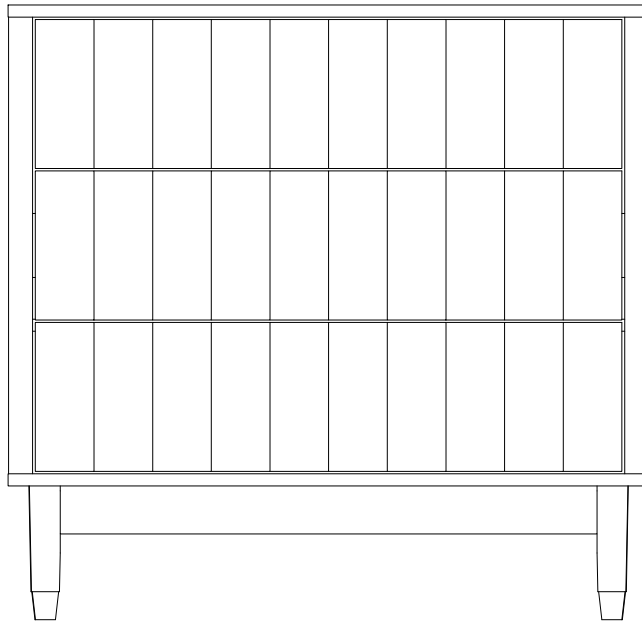
Step 22



D	×2
	

I	×2
	

Step 23



Two people work together to move the table.
Make sure you lift it off the ground.
Don't push and pull.