

ASSEMBLING & INSTALLATION INSTRUCTIONS

The drawing shown may not exactly match the product enclosed.
However, the installation instructions do apply to this product.

- ◆ **WARNING! SHUT POWER OFF AT FUSE OR CIRCUIT BREAKER.**
- ◆ **ATTENTION! COUPER LE COURANT AU FUSIBLE OU UN DISJONCTEUR.**

ASSEMBLING THE FIXTURE (Fig.1)

1. Shut off the power at the circuit breaker box. Remove old fixture and all hardware from Junction Box. Carefully unpack your new fixture and lay out all the parts on a clear area. Take care not to lose any small parts necessary for installation.
2. Slide the electrical wires through the tube(E)/(D)/(C) and canopy(A).
3. Raise the tube (E) to top pipe thread of lamp holder(F), raise the tube (D), tube (C) and canopy(A) to the pipe thread in order, then by turning it clockwise until tight.
4. Please see the **Fig 1.1 (round frame Top View)**. Loosen the tie crystal cluster of cord and organize appropriate. Raise the shade(G) and round frame (H) onto the lamp holder(F), lock them with the check ring(J) until tight.
5. Thread the two mounting screws into the pre-drilled holes in the Mounting plate spaced the same distance apart as the holes in the canopy (A).
6. Attach the Mounting plate to the Junction Box with the two Junction Box screws as shown. The side of the Mounting plate marked "GND" must face to out. **The junction box is not include.**
7. While holding the fixture lamp towards the ceiling, connect the electrical wires as Shown in **Fig.2**, making sure that all wire nuts are secured. You may have to wrap the connections with electrical tape. If your outlet has a ground wire (green or bare copper), connect the fixture ground wire to it. Otherwise connect fixture's ground wire directly to the Mounting plate with the green screw provided. After wires are connected, tuck them carefully inside the Junction Box.
8. Raise the canopy (A) on to the Junction box, aligning screws on mounting plate with mounting holes in canopy, lock it securely with the ball nuts(B).
9. Install the light bulbs(Not included) in accordance with the fixture specifications. **NOTE: DO NOT EXCEED THE SPECIFIED WATTAGE!**
10. Raise the end grapnel of the crystal cluster(I) hooked the inside ring of round frame(H).

Your installation is now complete. Return power to the junction box and test the fixture.

FIG.1

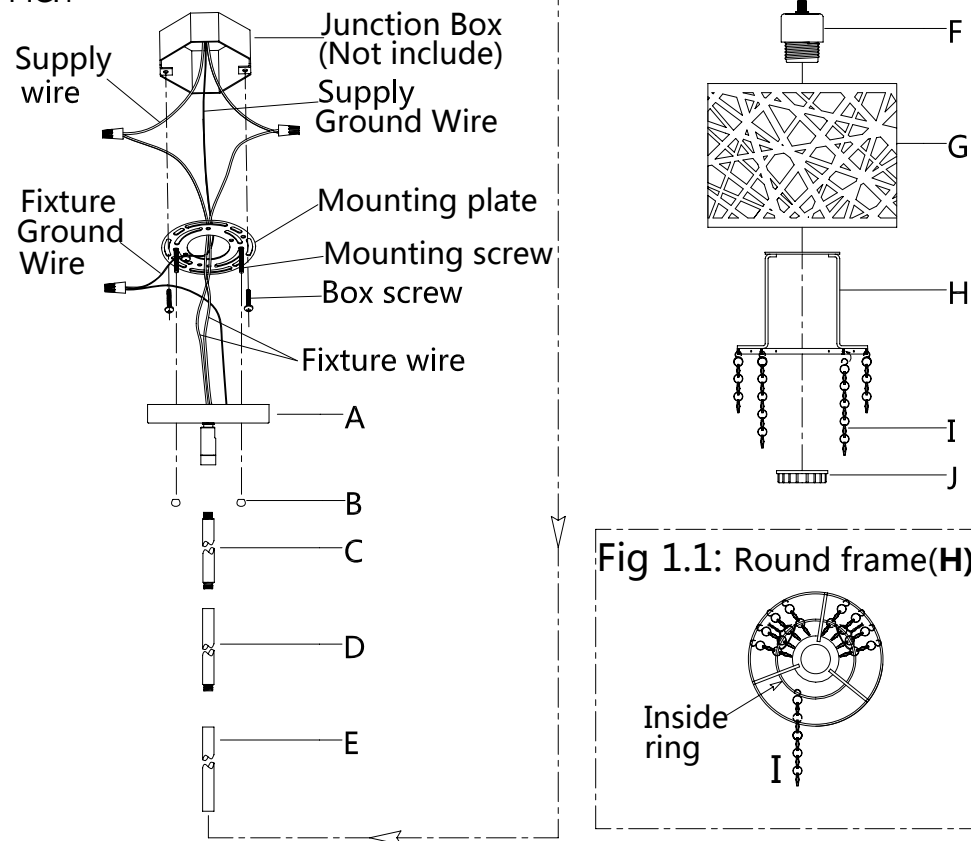
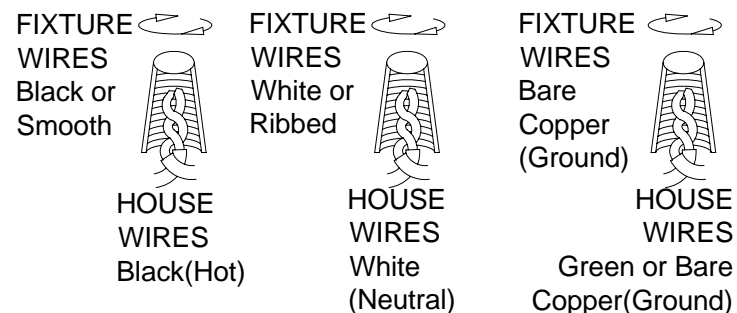


FIG.2



Thank you for purchasing a product.
Need assistance with parts or assembly? Please call customer service