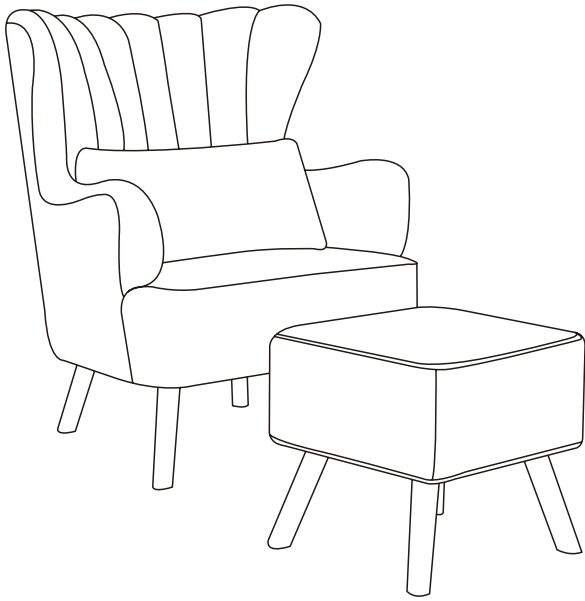
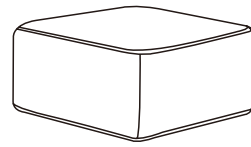


ASSEMBLY INSTRUCTION



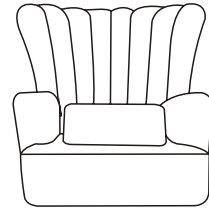
A x 1



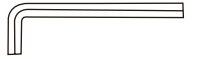
D x 32



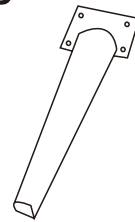
B x 1



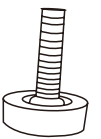
E x 1



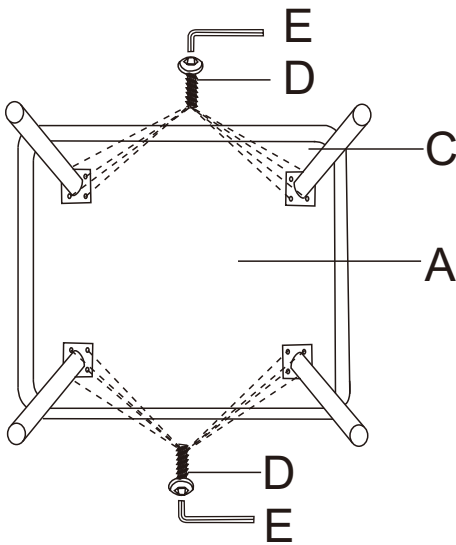
C x 8



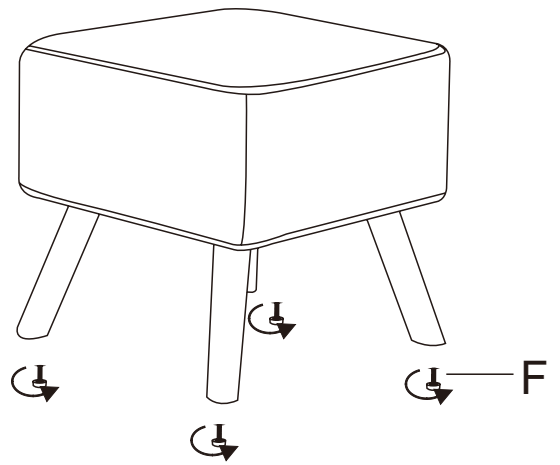
F x 8



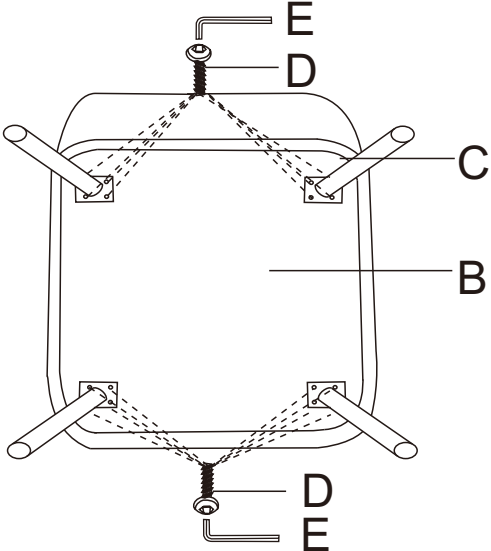
1



2



3



4

