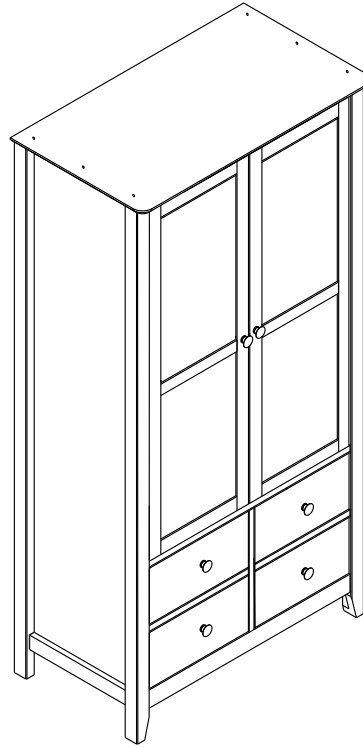


# 2 DOOR 4 DRAWER WARDROBE

## ASSEMBLY INSTRUCTIONS



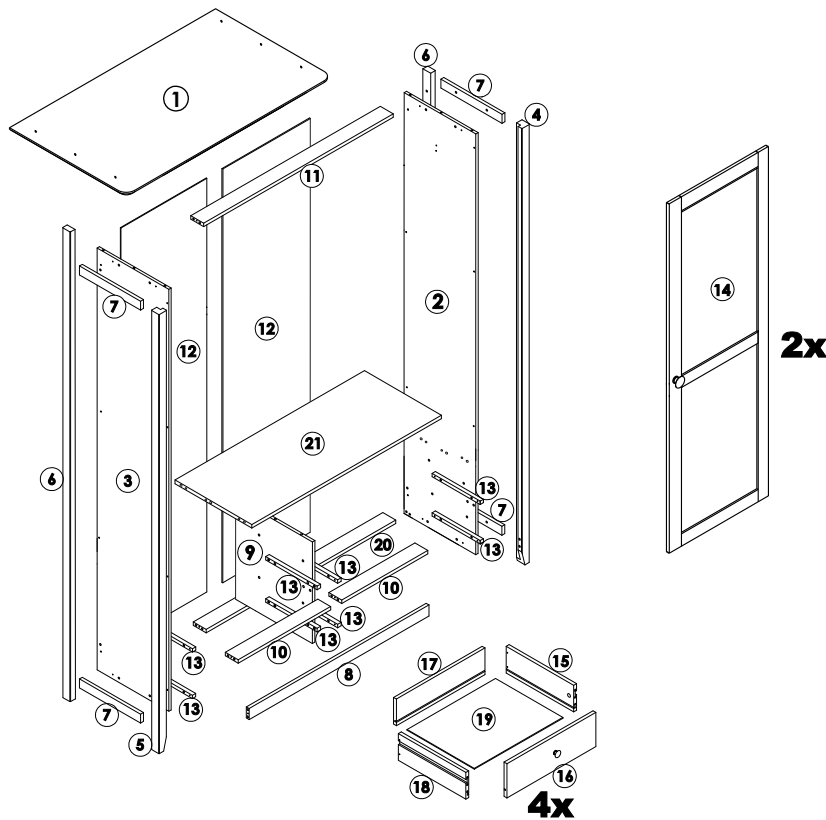
### **IMPORTANT FOR DOMESTIC USE ONLY**

**PLEASE READ BEFORE YOU CONTINUE FURTHER**

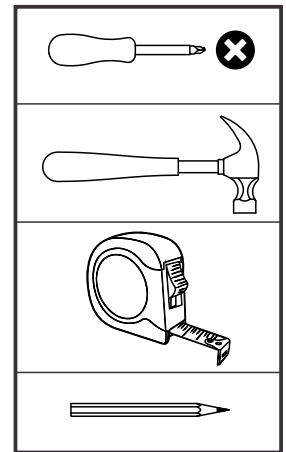
## **CARE AND MAINTENANCE**

After unpacking this product please keep the original packaging in case it needs to be returned for any reason.

- Please ensure all fittings and parts are present before commencing with assembly.
- Never drag or push products as this could cause damage to the joints making it inferior.
- We strongly recommend that you keep children away from your work area.
- We recommend that you lay a blanket or sheet on the floor to avoid damage to both your floor and the product.
- Assemble this product as close to its final position as possible.
- Do not place this product next to a radiator or in direct sunlight.
- Do not drag or push items across your high gloss furniture as this may cause the surface to scratch
- Wood is a natural product and may expand if subjected to damp and may shrink or crack if subjected to heat. Therefore it is recommended that room temperature is maintained, with no sudden temperature fluctuations.
- Make sure any spillage is wiped off immediately.
- Do not place hot or chilled items directly on to the surface, use a place mat or marking will occur.
- For general cleaning use a soft cotton or micro fibre cloth, and do not use detergents of any kind.
- From time to time it may be necessary to tighten fittings, regular inspections should be carried out.
- Do not place on a wet or damp floor as staining may occur to your floor.




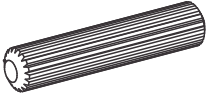
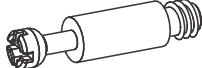
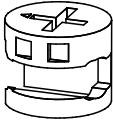

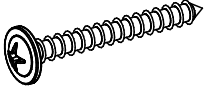


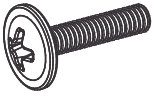

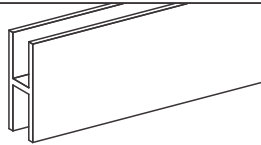
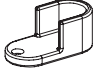
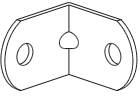

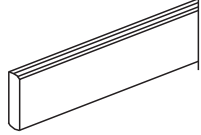
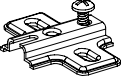
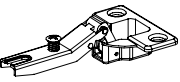




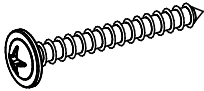


**TOOLS REQUIRED**



**PARTS LIST**

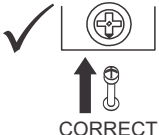
<b>Part Number</b>	<b>Part Description</b>	<b>Quantity</b>	<b>Carton</b>
01	Top	1	2/2
02	Right Side	1	1/2
03	Left Side	1	1/2
04	Right Front Leg	1	1/2
05	Left Font Leg	1	1/2
06	Back Legs	2	1/2
07	Decorative Plinths	4	2/2
08	Bottom Front Crossrail	1	2/2
09	Centre Panel	1	1/2
10	Centre Crossrail	2	2/2
11	Top Crossrail	1	2/2
12	Back Panel	2	1/2
13	Drawer Runner	8	1/2
14	Doors	2	1/2
15	Right Drawer Side	4	1/2
16	Large Drawer Front	4	1/2
17	Large Drawer Back Panel	4	2/2
18	Left Drawer Side	4	1/2
19	Drawer Base	4	2/2
20	Bottom Back Crossrail	1	2/2
21	Shelf	1	2/2

## FITTINGS LIST


<b>A</b>  Dowel Ø8,0 x 25mm (62x)	<b>B</b>  Dowel Ø8,0 x 40mm (4x)	<b>C</b>  Cam Bolt (16x)	<b>D</b>  Cam Nut Ø15mm (16x)
<b>E</b>  Flat Head Screw Ø3,5 x 35mm (7x)	<b>F</b>  Pan Head Screw Ø3,5 x 30mm (40x)	<b>G</b>  Pan Head Screw Ø4,0 x 25mm (27x)	<b>H</b>  Handle (6x)
<b>I</b>  Flan Head Screw Ø4,0 x 22mm (6x)	<b>J</b>  Nail 8 x 8 (40x)	<b>K</b>  Back Panel Strip (1x)	<b>L</b>  Hanger Support (2x)
<b>M</b>  Angle (1x)	<b>N</b>  Flat Head Screw Ø3,5 x 12mm (30x)	<b>O</b>  Aluminum Racker (1x)	<b>P</b>  Choice (6x)
<b>Q</b>  Hinge (6x)	<b>R</b>  (4x)	<b>S</b>  Flat Head Screw Ø3,5 x 20mm (4x)	<b>T</b>  Dowel Ø8,0 x 20mm (8x)
<b>U</b>  Washer (2x)	<b>V</b>  Flan Head Screw Ø3,5 x 20mm (1x)	<b>X</b>  Strap (1x)	<b>Z</b>  Dowel Ø6,0 x 30mm (1x)

## TIPS FOR FITTINGS CAM-LOCKS

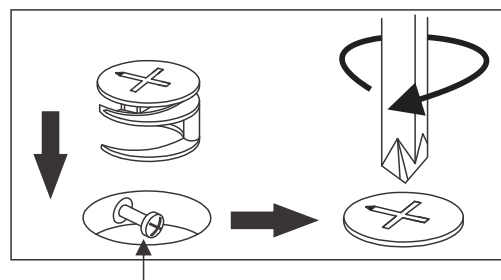
WHEN FITTING CAM NUT, ENSURE STARTING POSITION IS CORRECT BEFORE YOU INSERT CONNECTING CAM BOLT TURN CLOCKWISE UNTIL SECURE



↑  
CORRECT



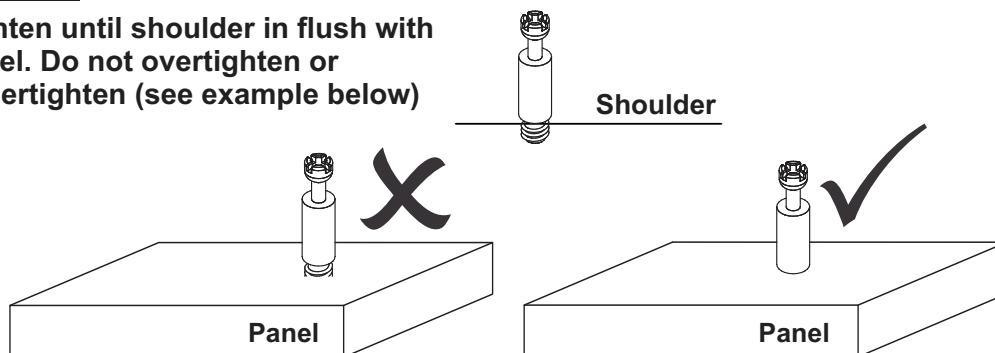
WRONG



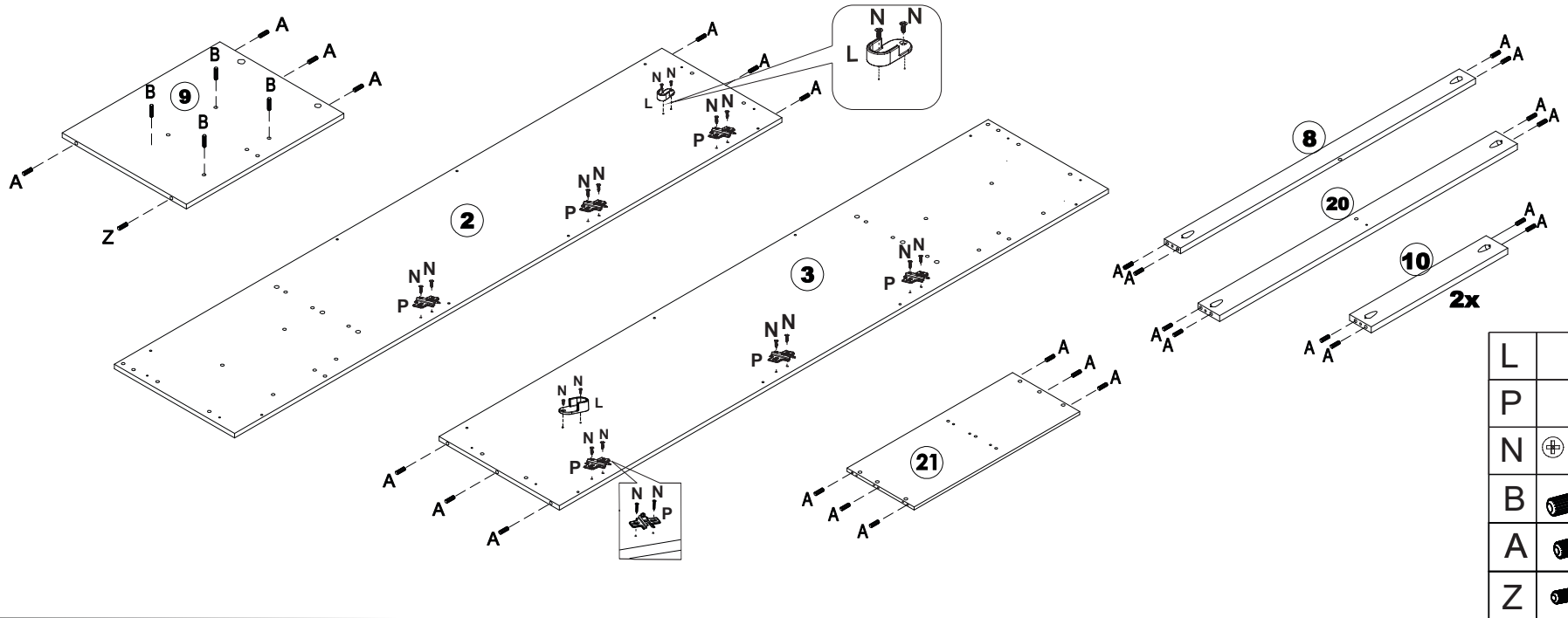
Cam bolt head needs to be in centre

### CAMBOLT

**Tighten until shoulder in flush with panel. Do not overtighten or undertighten (see example below)**

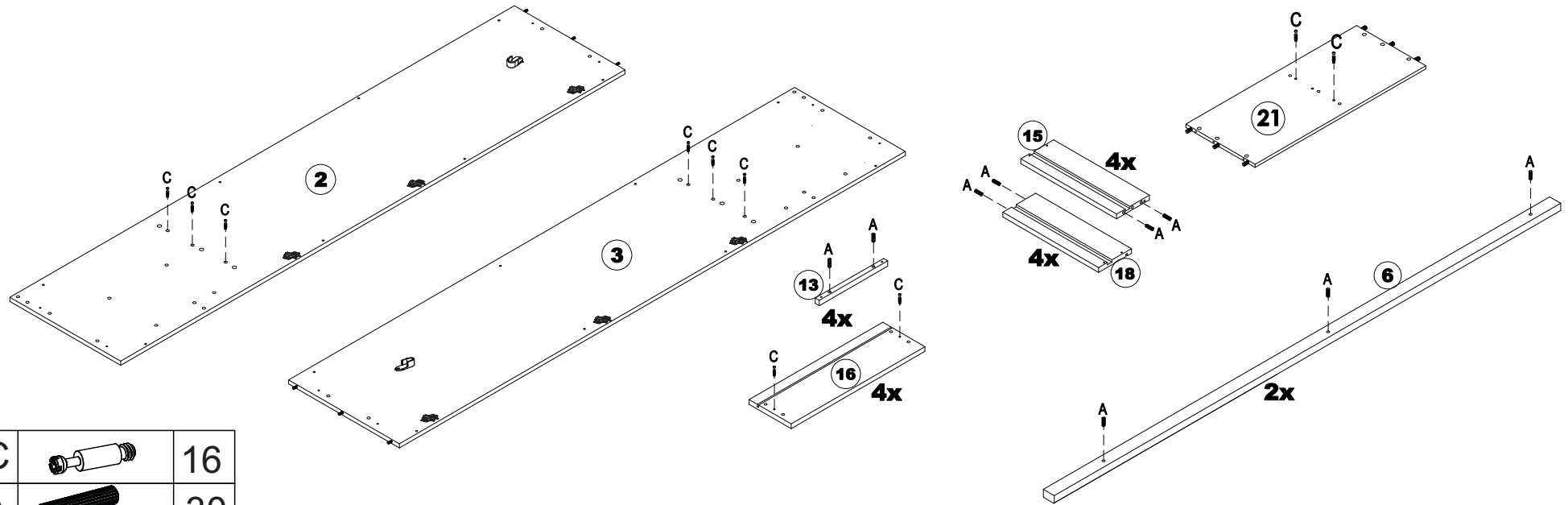


1

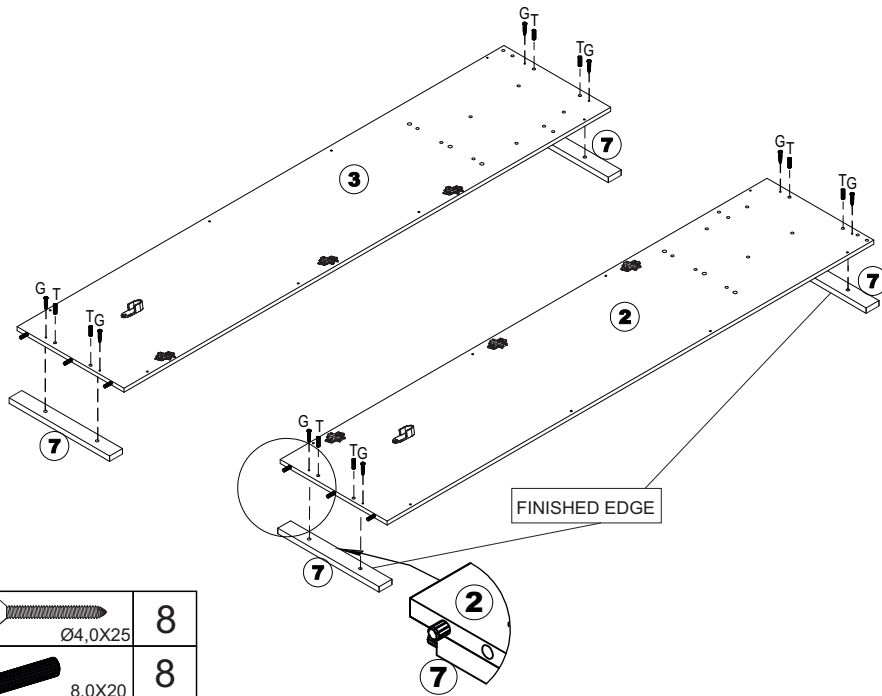
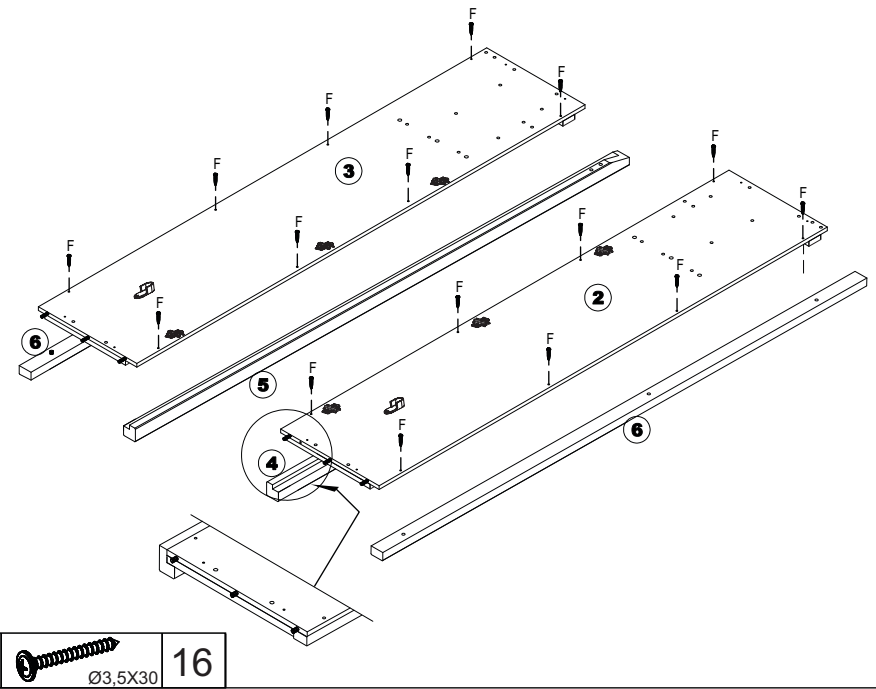
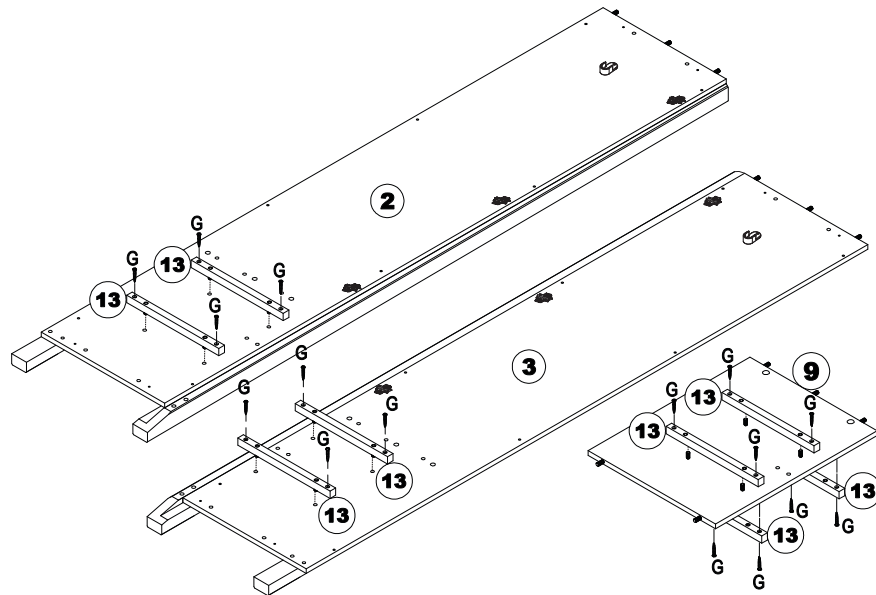
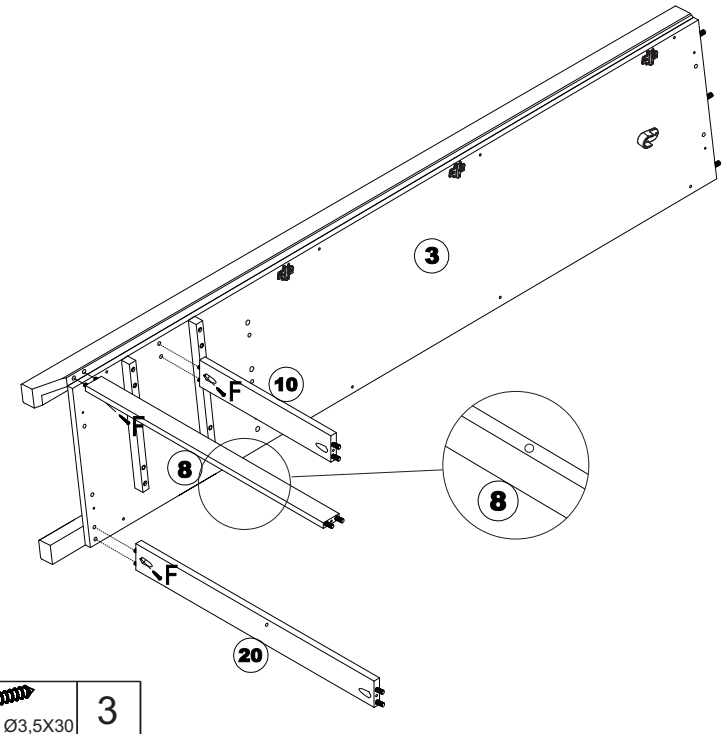


L		2
P		6
N	 Ø3,5X12	16
B	 8,0X40	4
A	 8,0X25	32
Z	 6,0X30	1

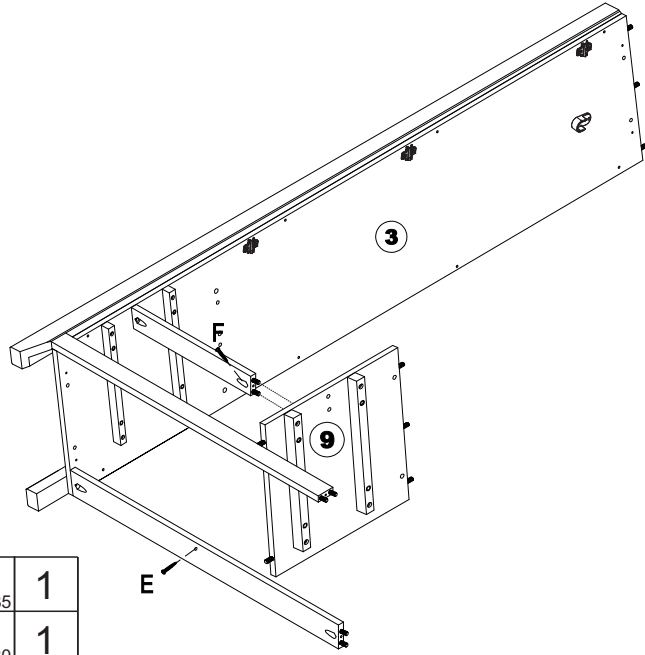
2





C		16
A	 8,0X25	30

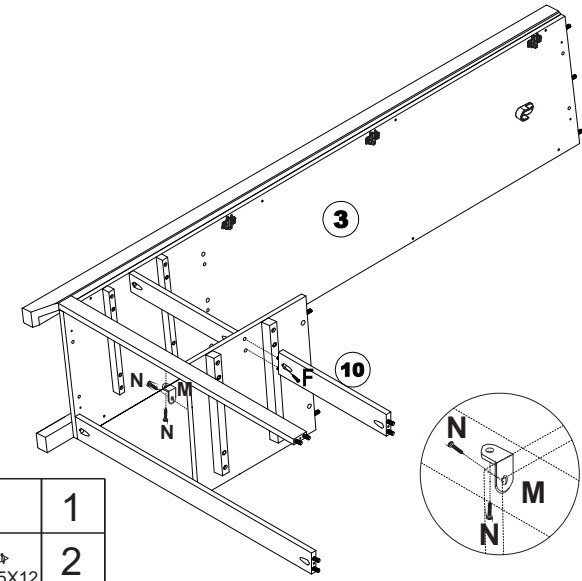
**3****4****5****6**




7



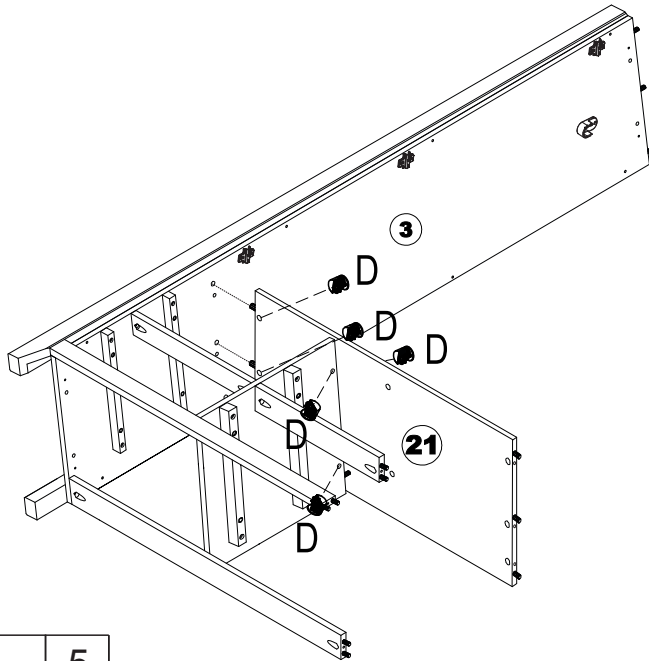
E	 Ø3,5X35	1
F	 Ø3,5X30	1

8



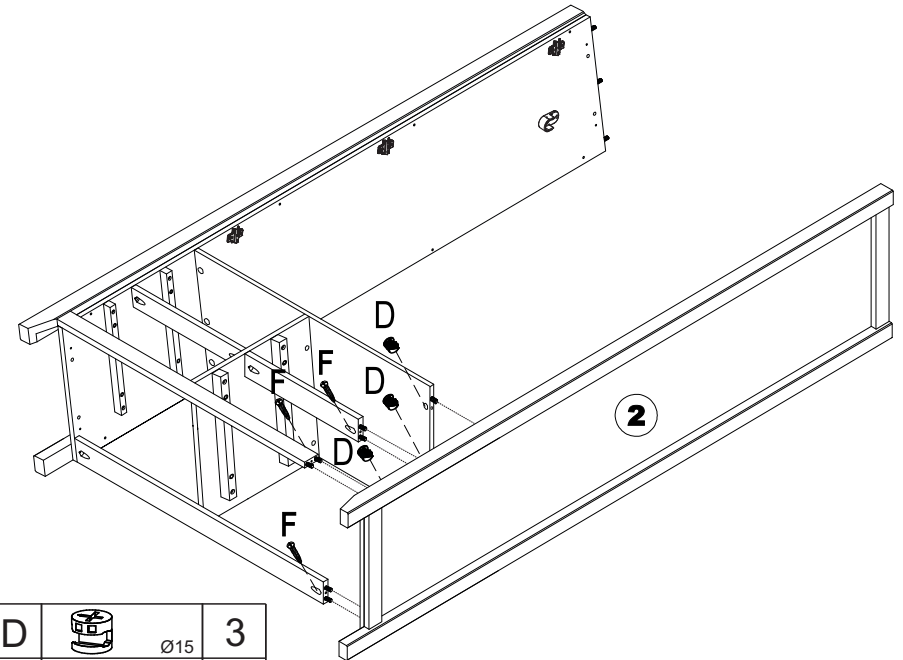
M		1
N	 Ø3,5X12	2
F	 Ø3,5X30	1



9



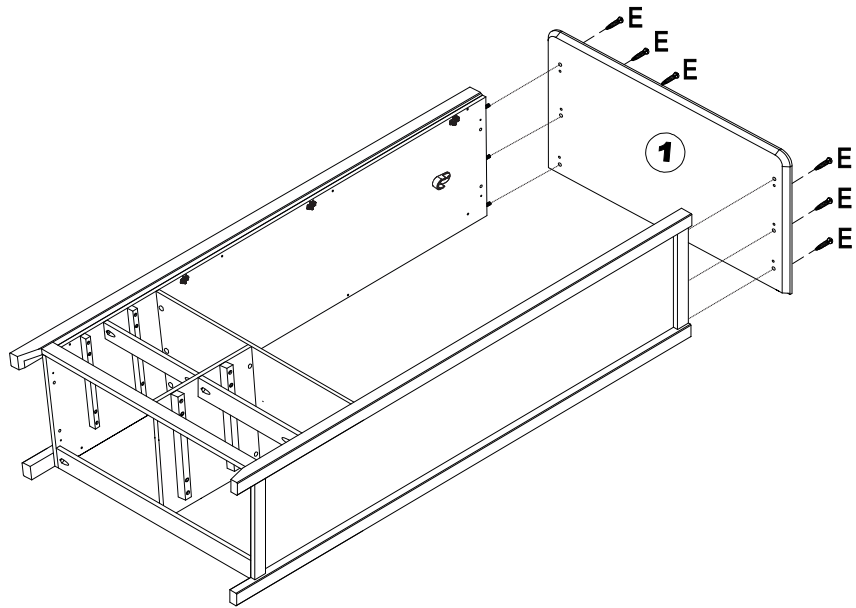
D	 Ø15	5
---	---	---


10



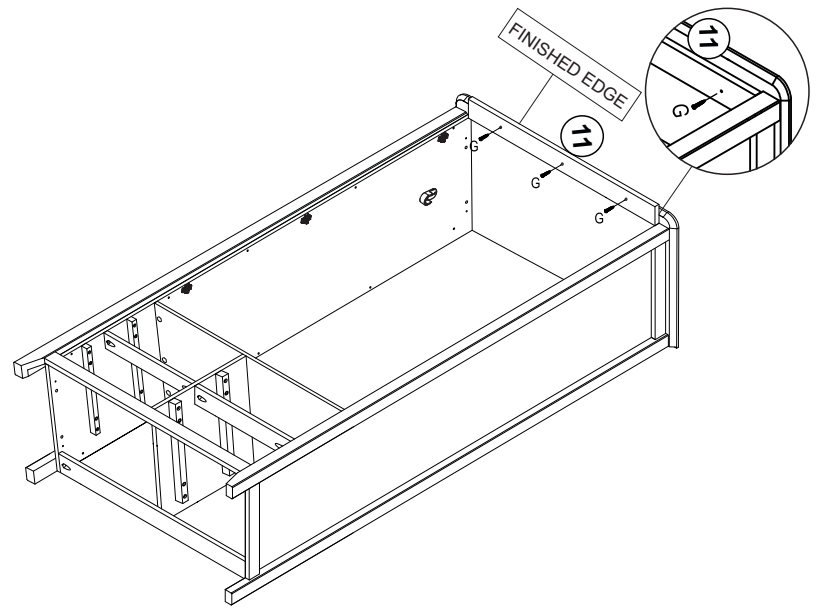
D	 Ø15	3
F	 Ø3,5X30	3


11



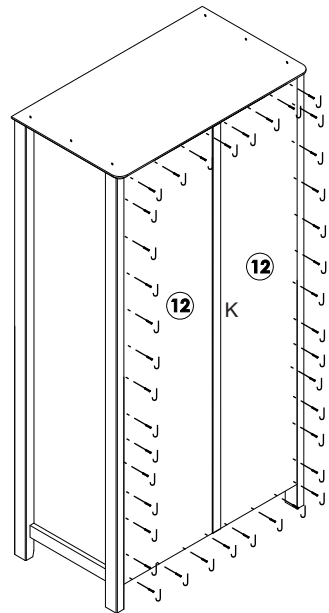
E		Ø3.5X35	6
---	---	---------	---



12



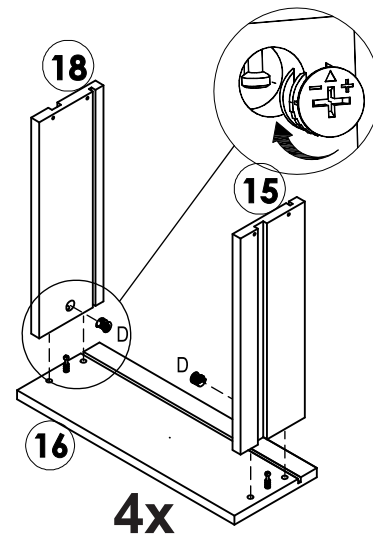
G		Ø4.0X25	3
---	---	---------	---

13



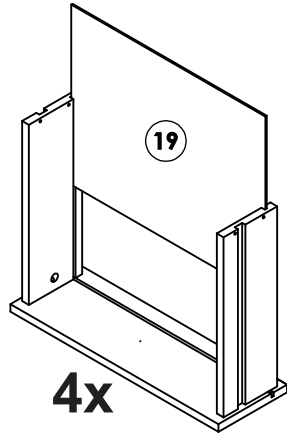
K			1
J		8X8	40

14

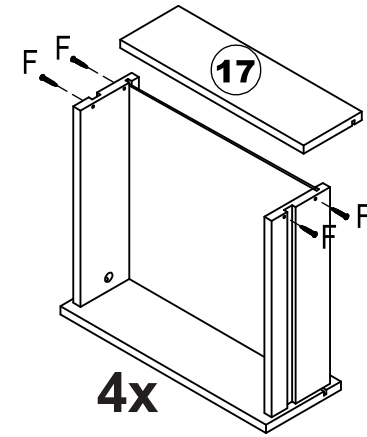



D		Ø15	8
---	---	-----	---

15

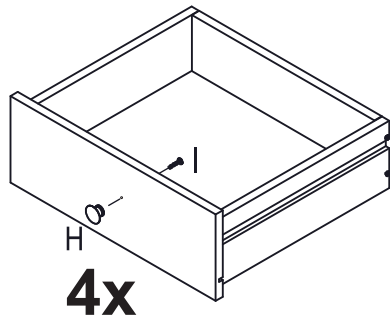




16



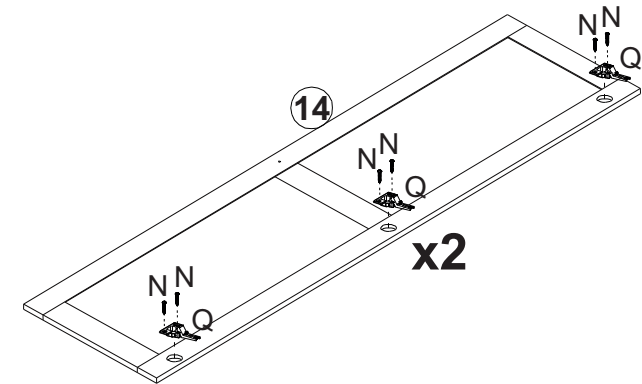
F		Ø3,5X30	16
---	---	---------	----


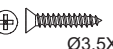
17



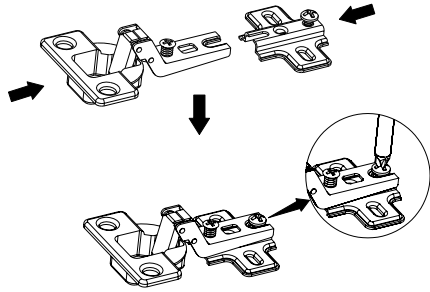
I		Ø4,0X22	4
H			4

18

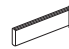






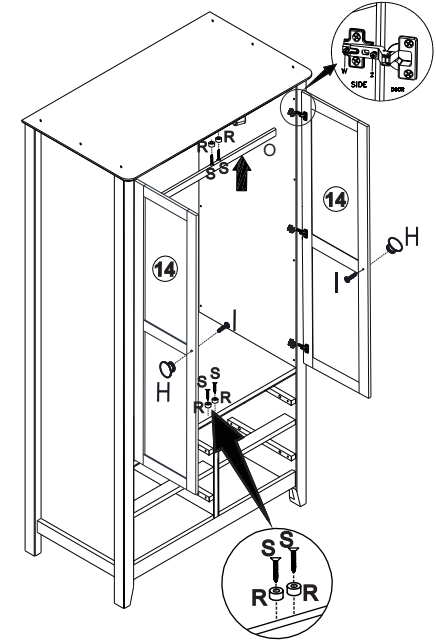
Q			6
N		Ø3,5X12	12

19

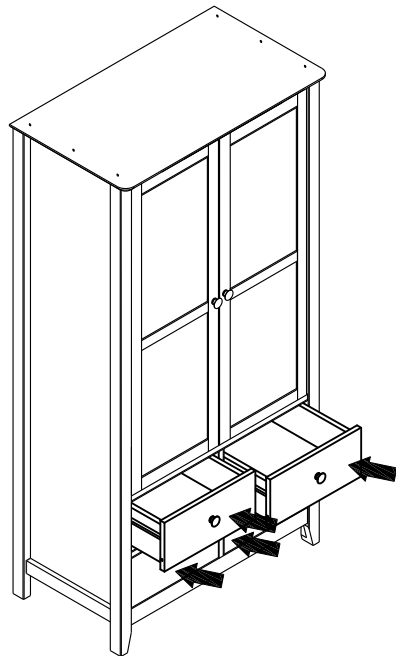


20

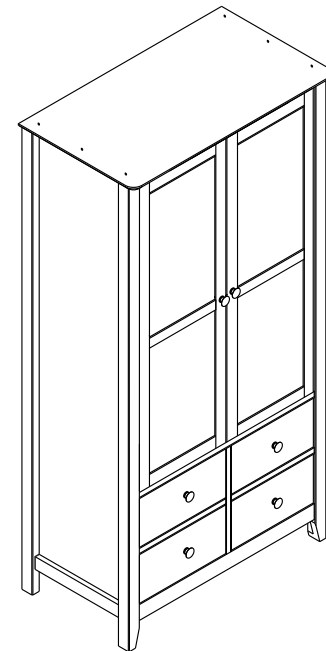
O		1
H		2
I	 Ø4,0X22	2
S	 Ø3,5X20	4
R		4



21



22



# WARNING

**Serious or fatal injuries can occur from furniture tipping over. To prevent the furniture from tipping over we recommend that it is permanently fixed to the wall.**

Wall fixings are not supplied with this product as different wall materials require different types of fixing devices. Please make sure you use fixings suitable for the walls in your home.

