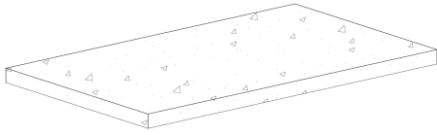
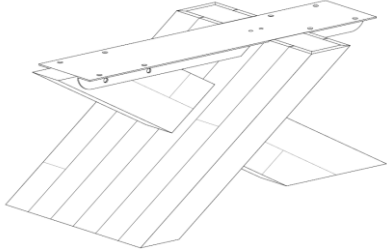

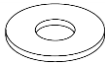

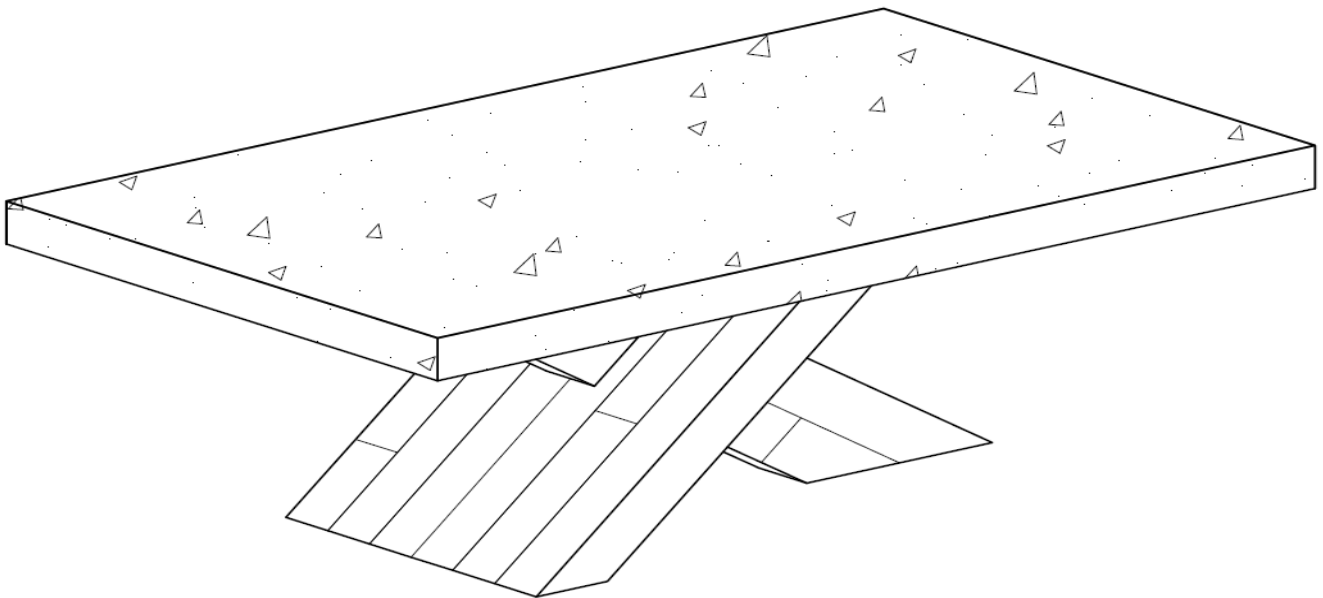


ASSEMBLY INSTRUCTIONS

SKU# 51031342

PARTS LIST

A	TABLE TOP X 1				<p>Before beginning</p> <ol style="list-style-type: none"> 1 - Carefully unpack and position the item on a clean, non-marring surface to assemble. 2 - Read this Assembly Instructions from beginning to end before starting to assemble. 3 - Take an inventory of the required parts to ensure all are available. 4 - To prevent accidental choking hazards, keep all packing materials away from small children. 				
B	LEG X 1				<ol style="list-style-type: none"> 5 - Only tighten hardware until ALL hardware are fully engaged on their locations. Overtighten bolts will damage the bolt threads. 6 - Use only factory provided hardware to assemble. Unapproved hardware can damage product or jeopardize the structural integrity of the product. 7 - The use of power tool to assemble is not recommended due to high risk of over-torque, which can damage the product. 				
Z	HARDWARE	<p>Z1</p>  <p>8X30MM X 8</p>	<p>Z2</p>  <p>8X19X2MM X 8</p>	<p>Z3</p>  <p>K13 X 1</p>					



ASSEMBLY REQUIRES
TWO PEOPLE



15-MINUTE
ASSEMBLY TIME

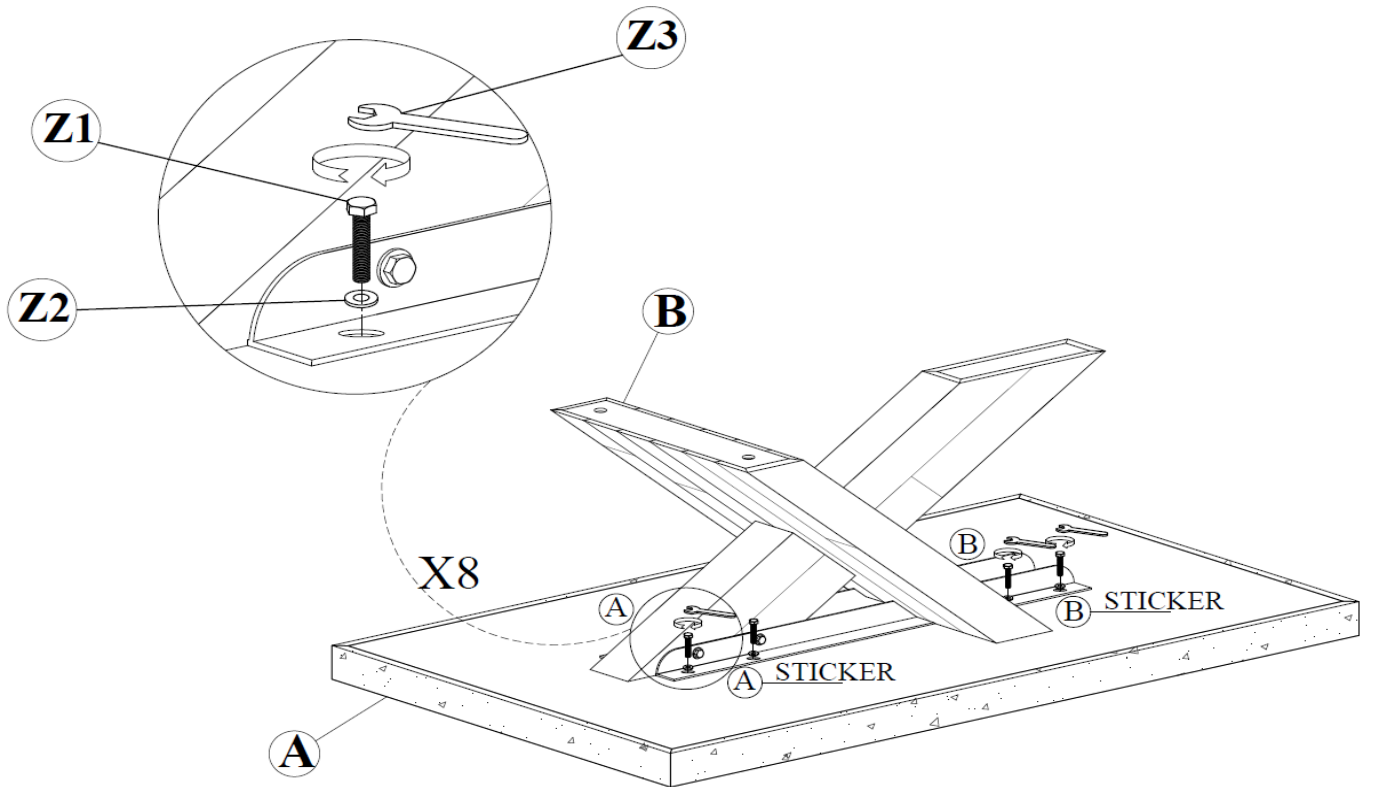


KEEP INSTRUCTIONS
FOR FUTURE USE



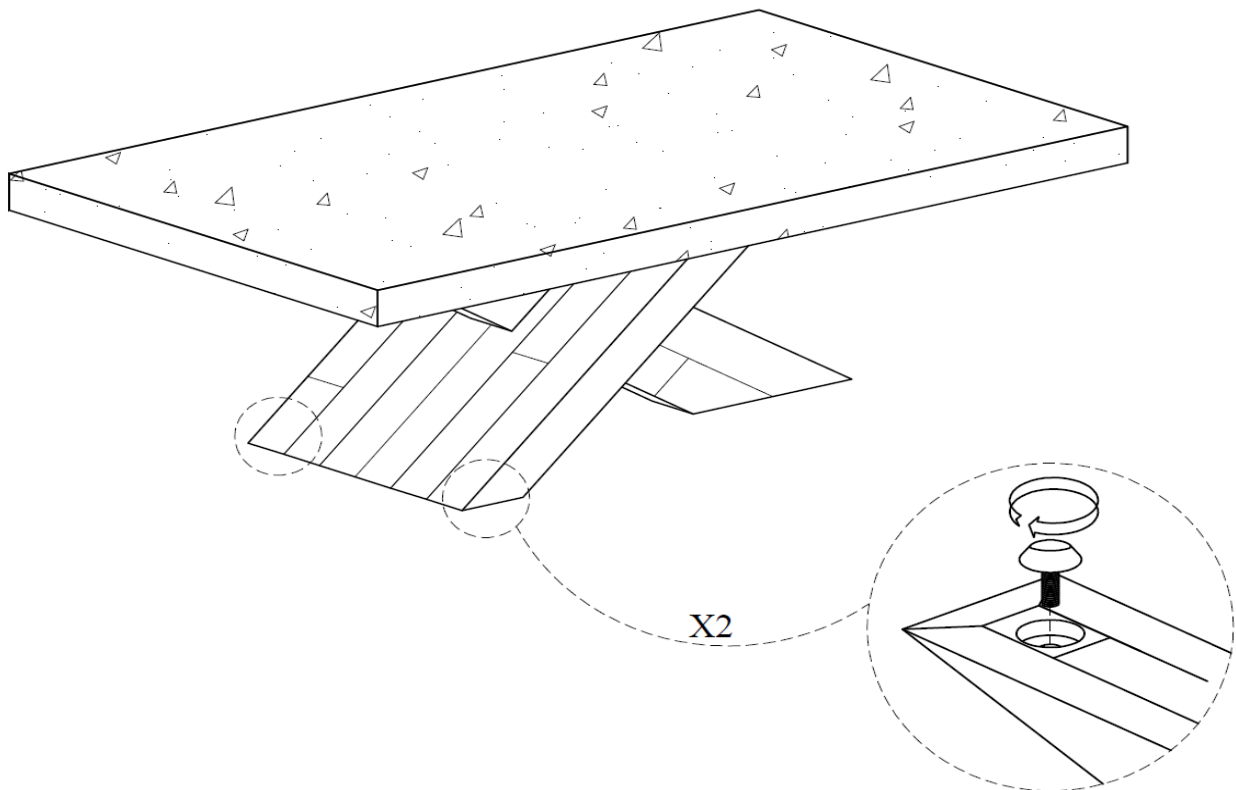
ASSEMBLY INSTRUCTIONS
SKU# 51031342

1



- Install the Leg (B) into the Table Top (A) by using Open Wrench (Z3) to tighten Bolts (Z1) and Washers (Z2).

2



- With two people carefully turn the Table over and stand on its Legs.
- Complete item.