

---

## **3 Door Wardrobe with Mirror**

User Manual

---

**It is recommended that two people install this wardrobe together**

## INTRODUCTION

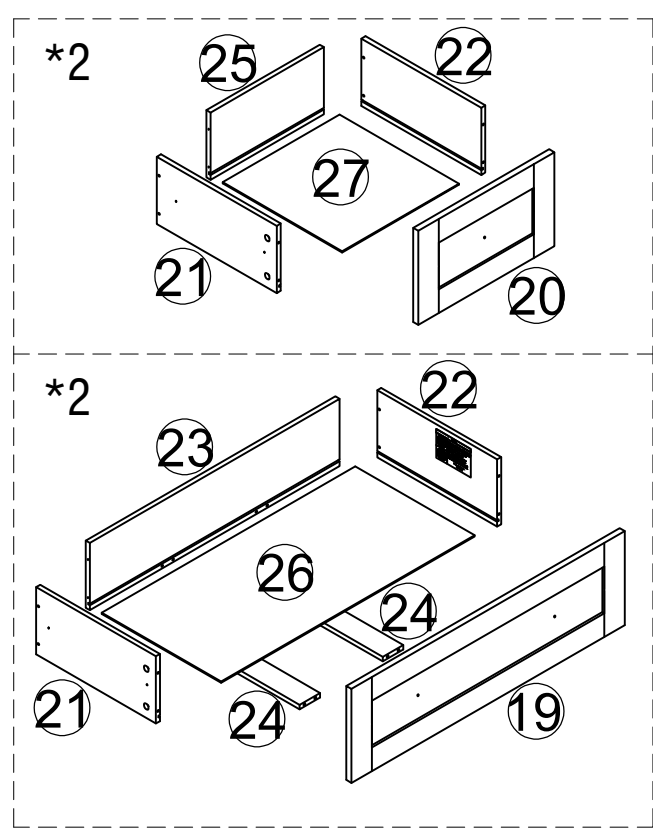
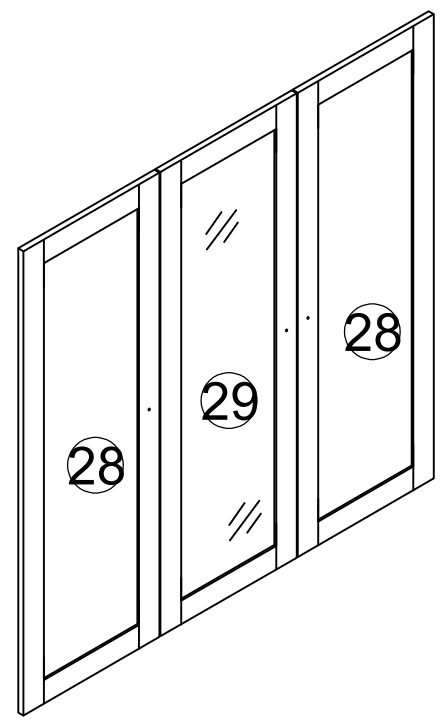
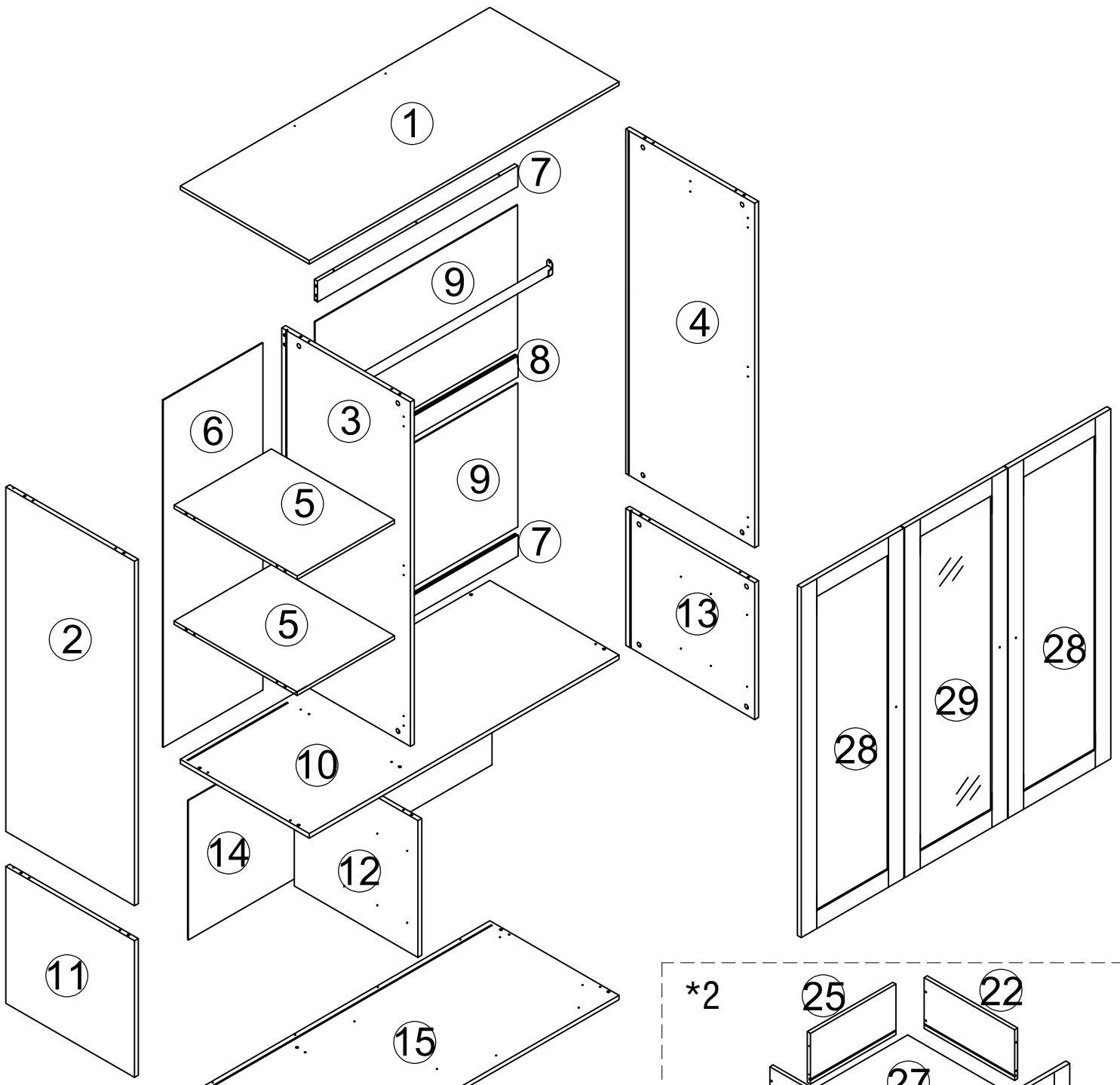
Thank you very much for choosing our wardrobe. Please read the instruction carefully before assembly and keep it for future reference. If you need further assistance on assembly, please contact our customer service through email.

### Tips:

1. When installing the product, use a soft underlay (such as carpet or cardboard) to avoid scratching or damaging the surface of the product.
2. Don't tighten screws completely at first, just in case parts were assembled wrong and need disassemble. Tighten screws at last when all parts are put together.
3. The structure of this product can not meet the requirements of the placement of heavy items and children climbing.

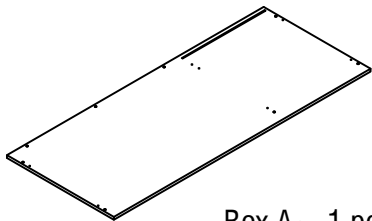
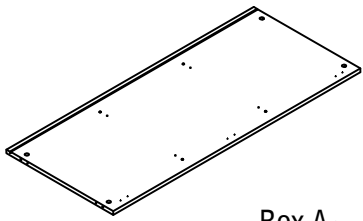
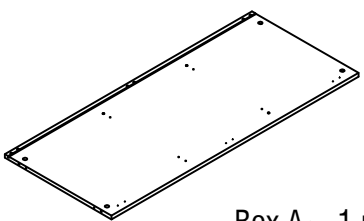
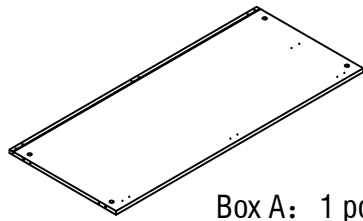
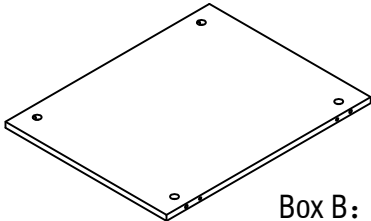
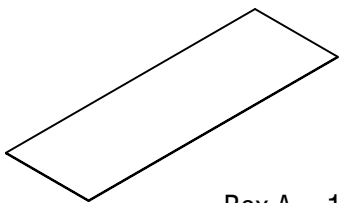
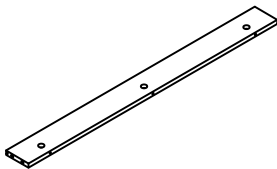
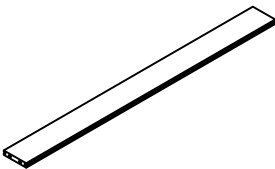
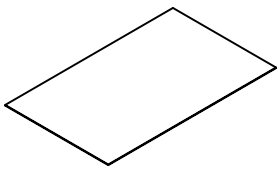
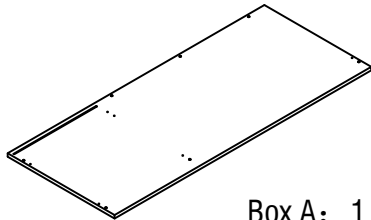
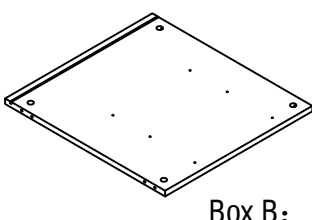
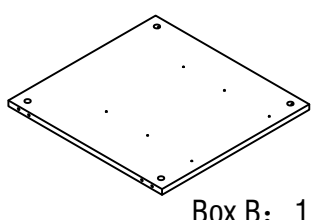
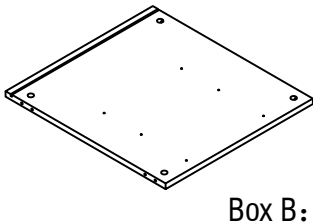
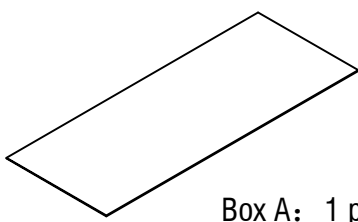
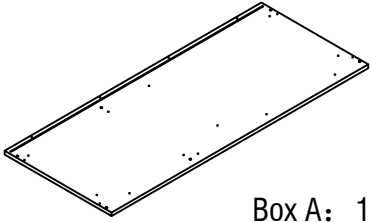
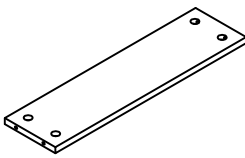
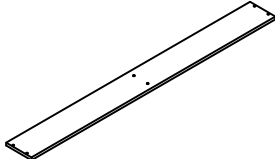
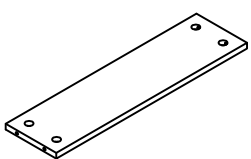
### WARRANTY:

We provide an 18-month warranty on the product starting from the date of the original purchase. If the product has any manufacturing defect, please contact us through email with details about the problem. We will send you further information about the return or exchange.



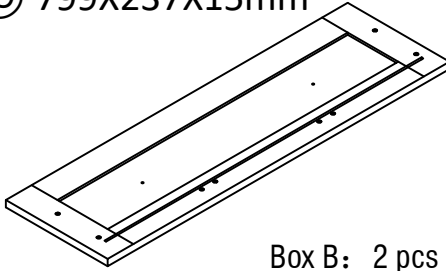
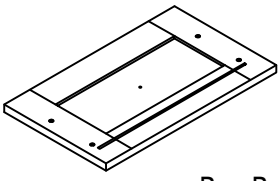
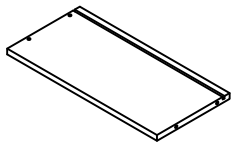
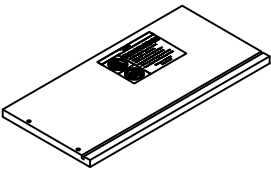
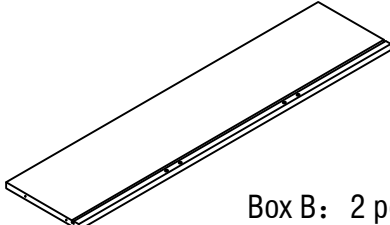
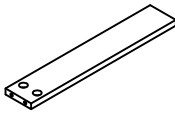
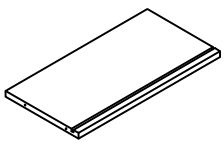
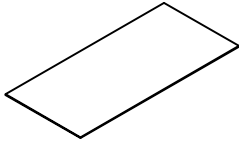
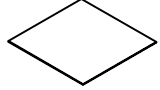
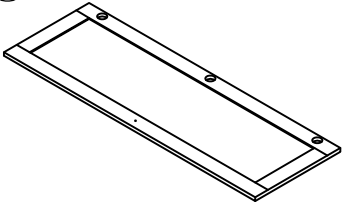
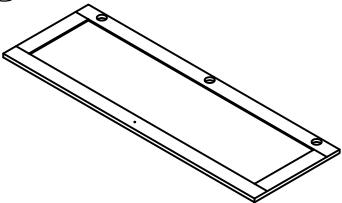
# PARTS LIST

Unit(mm)

<p>① 1200x500x12mm</p>  <p>Box A: 1 pc</p>	<p>② 1156x499x15mm</p>  <p>Box A: 1 pc</p>	<p>③ 1156x499x15mm</p>  <p>Box A: 1 pc</p>
<p>④ 1156x499x15mm</p>  <p>Box A: 1 pc</p>	<p>⑤ 377x477x12mm</p>  <p>Box B: 2 pcs</p>	<p>⑥ 386x1165x3mm</p>  <p>Box A: 1 pc</p>
<p>⑦ 776x70x12mm</p>  <p>Box B: 2 pcs</p>	<p>⑧ 776x70x12mm</p>  <p>Box B: 1 pc</p>	<p>⑨ 785x482x3mm</p>  <p>Box B: 2 pcs</p>
<p>⑩ 1200x500x15mm</p>  <p>Box A: 1 pc</p>	<p>⑪ 459x499x15mm</p>  <p>Box B: 1 pc</p>	<p>⑫ 459x479x15mm</p>  <p>Box B: 1 pc</p>
<p>⑬ 459x499x15mm</p>  <p>Box B: 1 pc</p>	<p>⑭ 1177x468x3mm</p>  <p>Box A: 1 pc</p>	<p>⑮ 1200X450X15mm</p>  <p>Box A: 1 pc</p>
<p>⑯ 446X118X12mm</p>  <p>Box B: 2 pcs</p>	<p>⑰ 1140X118X12mm</p>  <p>Box A: 2 pcs</p>	<p>⑱ 446x98x12mm</p>  <p>Box B: 1 pc</p>


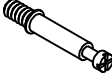

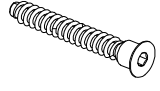
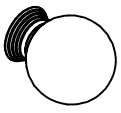
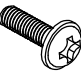
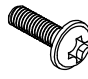
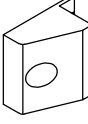
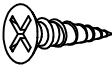
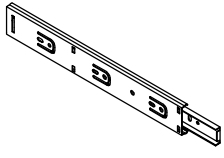

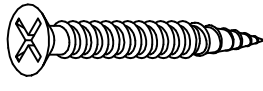
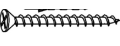




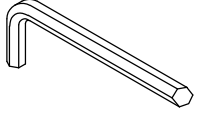
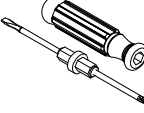

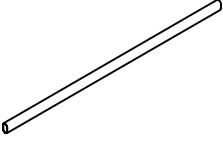
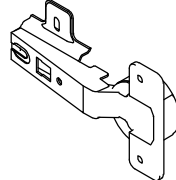
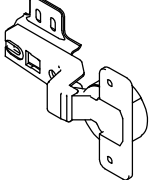

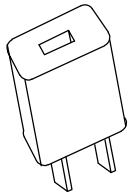
# PARTS LIST

Unit(mm)

<p>①⑨ 799X237X15mm</p>  <p>Box B: 2 pcs</p>	<p>②⑩ 398x237x15mm</p>  <p>Box B: 2 pcs</p>	<p>②① 350x170x12mm</p>  <p>Box B: 4 pcs</p>
<p>②② 350x170x15mm</p>  <p>Box B: 4 pcs</p>	<p>②③ 730x170x12mm</p>  <p>Box B: 2 pcs</p>	<p>②④ 338x60x12mm</p>  <p>Box B: 4 pcs</p>
<p>②⑤ 331x170x12mm</p>  <p>Box B: 2 pcs</p>	<p>②⑥ 741x349x3mm</p>  <p>Box B: 2 pcs</p>	<p>②⑦ 342X349X3mm</p>  <p>Box B: 2 pcs</p>
<p>②⑧ 398x1175x15mm</p>  <p>Box A: 2 pcs</p>	<p>②⑨ 398x1175x15mm</p>  <p>Box A: 1 pc</p>	

# HARDWARE LIST

# Box B

<p>A Ø15 x 9mm</p>  <p>x74pcs</p>	<p>B Ø6 x 35mm</p>  <p>x74pcs</p>	<p>C Ø6 x 30mm</p>  <p>x32pcs</p>	<p>D M5 x 40mm</p>  <p>x24pcs</p>	<p>E Ø30 x 38mm</p>  <p>x9pcs</p>
<p>F M4 x 8mm</p>  <p>x6pcs</p>	<p>G M4 x 20mm</p>  <p>x3pcs</p>	<p>H 14X14X8mm</p>  <p>x28pcs</p>	<p>I M3x12mm</p>  <p>x24pcs</p>	<p>J L=350*27mm</p>  <p>x8pcs</p>
<p>K M3x14mm</p>  <p>x110pcs</p>	<p>L M4X35mm</p>  <p>x24pcs</p>	<p>M</p> <ul style="list-style-type: none"> <li> M1:M4*38mm</li> <li> M2:M4*12mm</li> <li> M3:73*24*15mm</li> <li> M4:ø6*37</li> </ul> <p>x2pcs</p>	<p>N Ø21X1mm</p>  <p>x72pcs</p>	<p>O M3</p>  <p>x1pc</p>
<p>P</p>  <p>x1pcs</p>	<p>Q</p>  <p>x2pcs</p>	<p>R 769mm</p>  <p>x1pc</p>	<p>S Ø35mm Buffered straight arm hinge(outer cover)</p>  <p>x6pcs</p>	<p>T Ø35mm Moderate curved door hinge(Half cover)</p>  <p>x3pcs</p>
<p>U</p>  <p>x1pc</p>	<p>V 5V/2A</p>  <p>x1pc</p>			

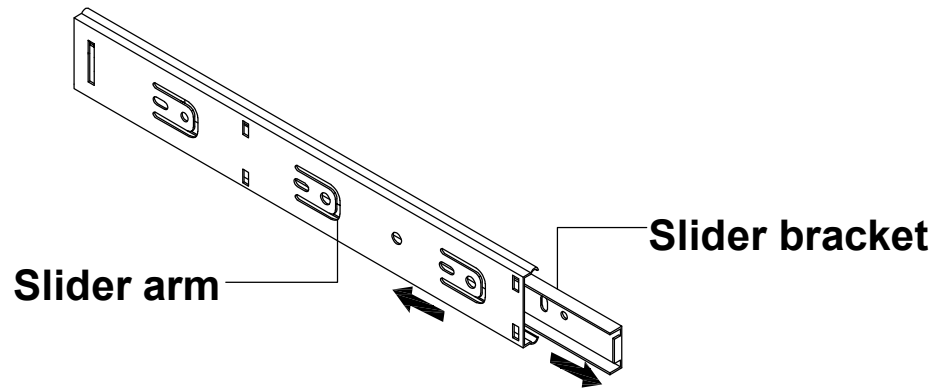
## YOU WILL NEED

J x8

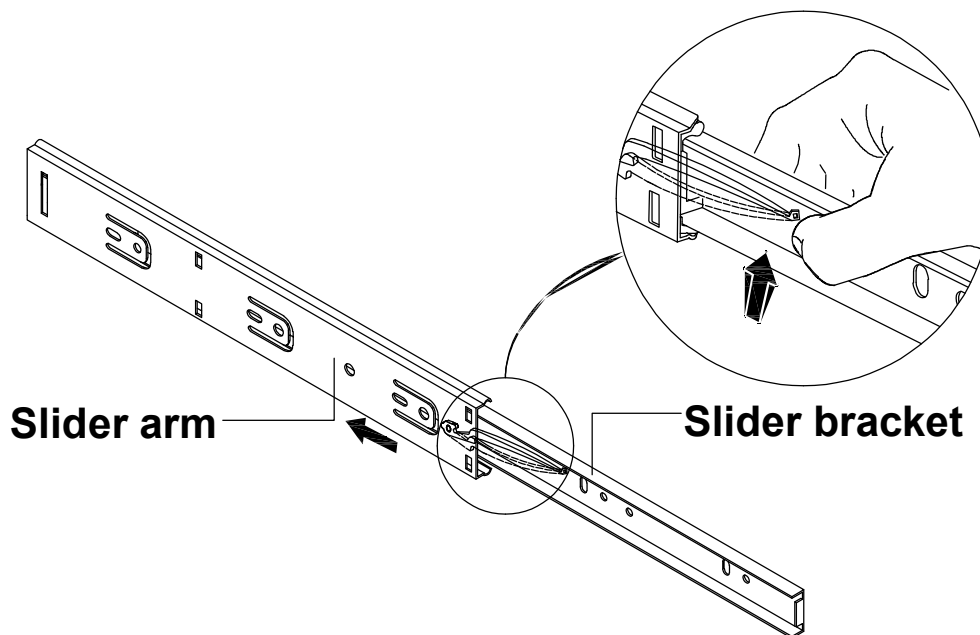
## ▲ Attention

This part (J) comes pre-assembled for shipping purposes and must be disassembled into 2 parts and then installed separately.

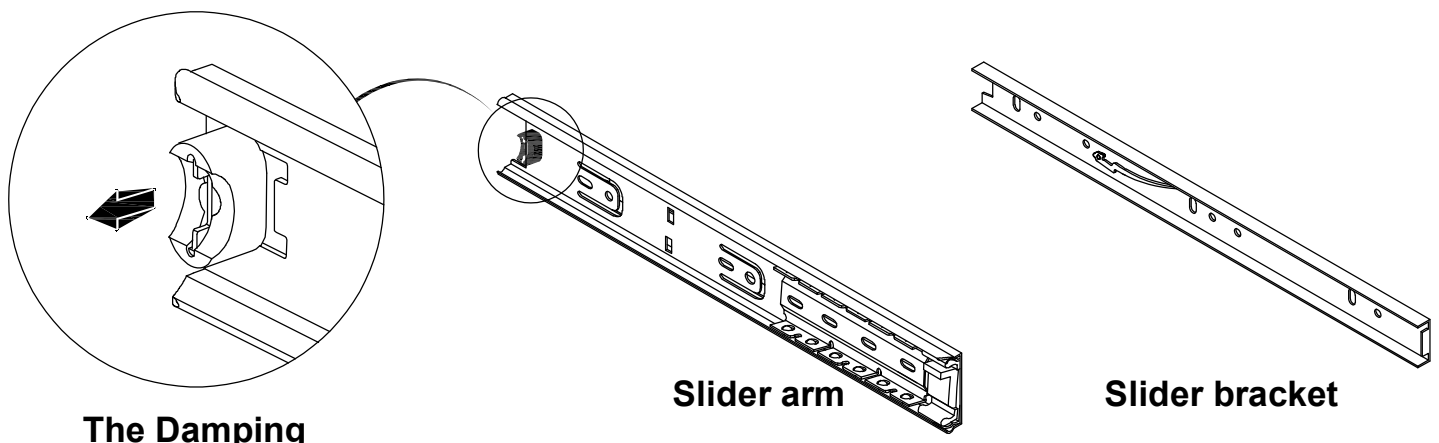
- 1). Extend the slider bracket all the way forward.



- 2). Pull the slider arm's plastic release lever upward and pull the slider bracket completely out.



- 3). Decide whether to remove the damping based on your actual usage habits.



# INSTALLATION STEPS

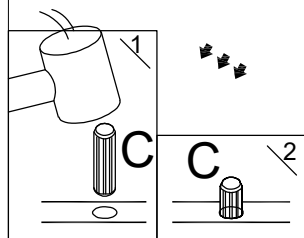
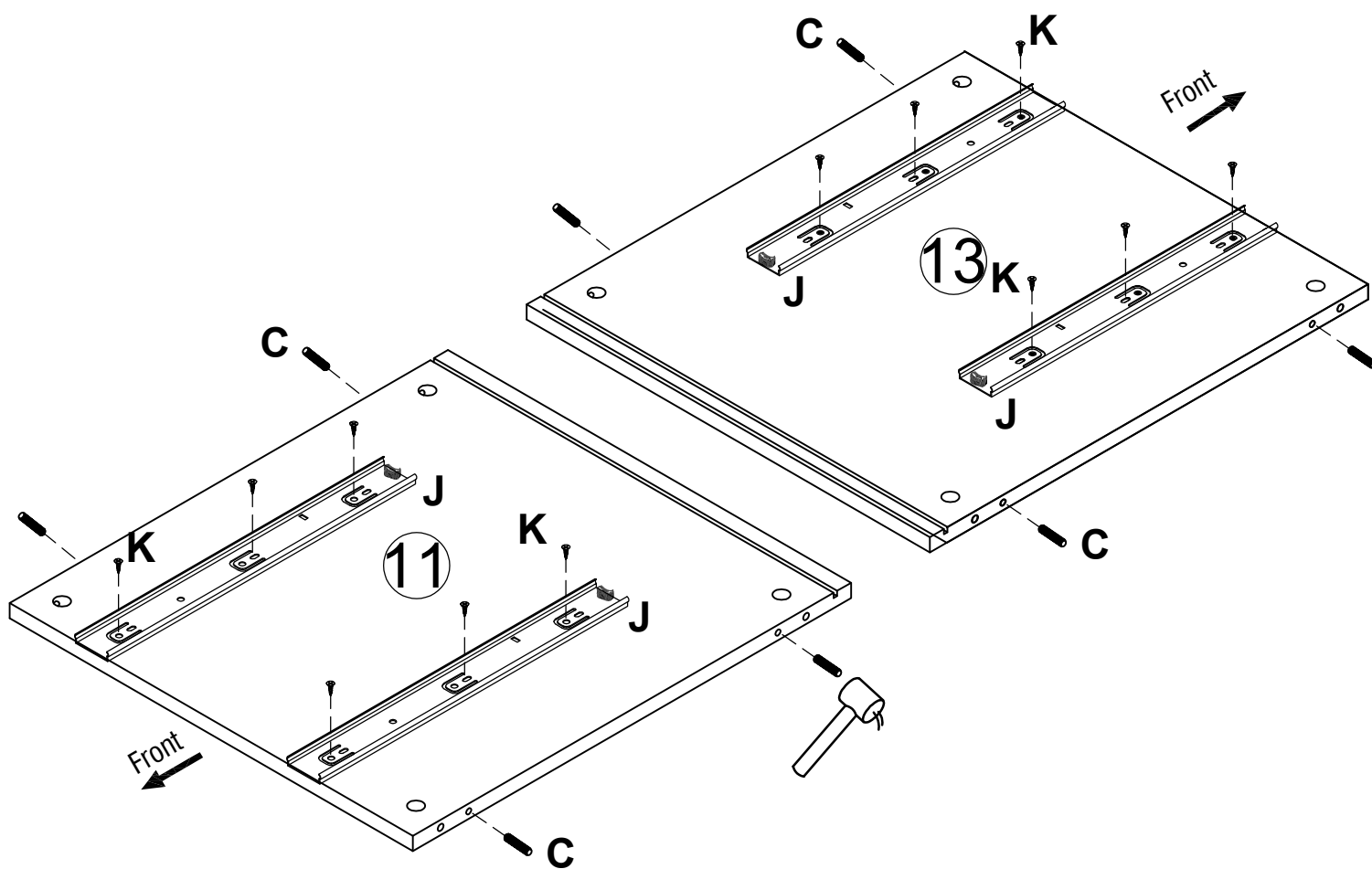
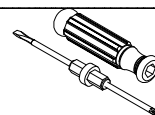
## 2

### YOU WILL NEED

J x 4

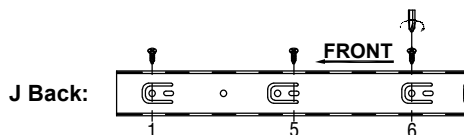
K x 12

C x 8



### ATTENTION:

1. Please locate the holes from the back of part J.



2. Then please install part J from the front of part J.

# INSTALLATION STEPS

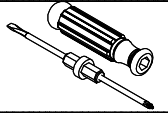
3

## YOU WILL NEED

J x 4

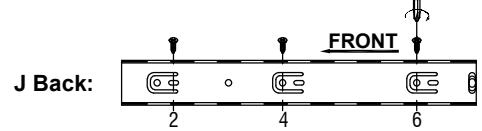
K x 12

C x 4

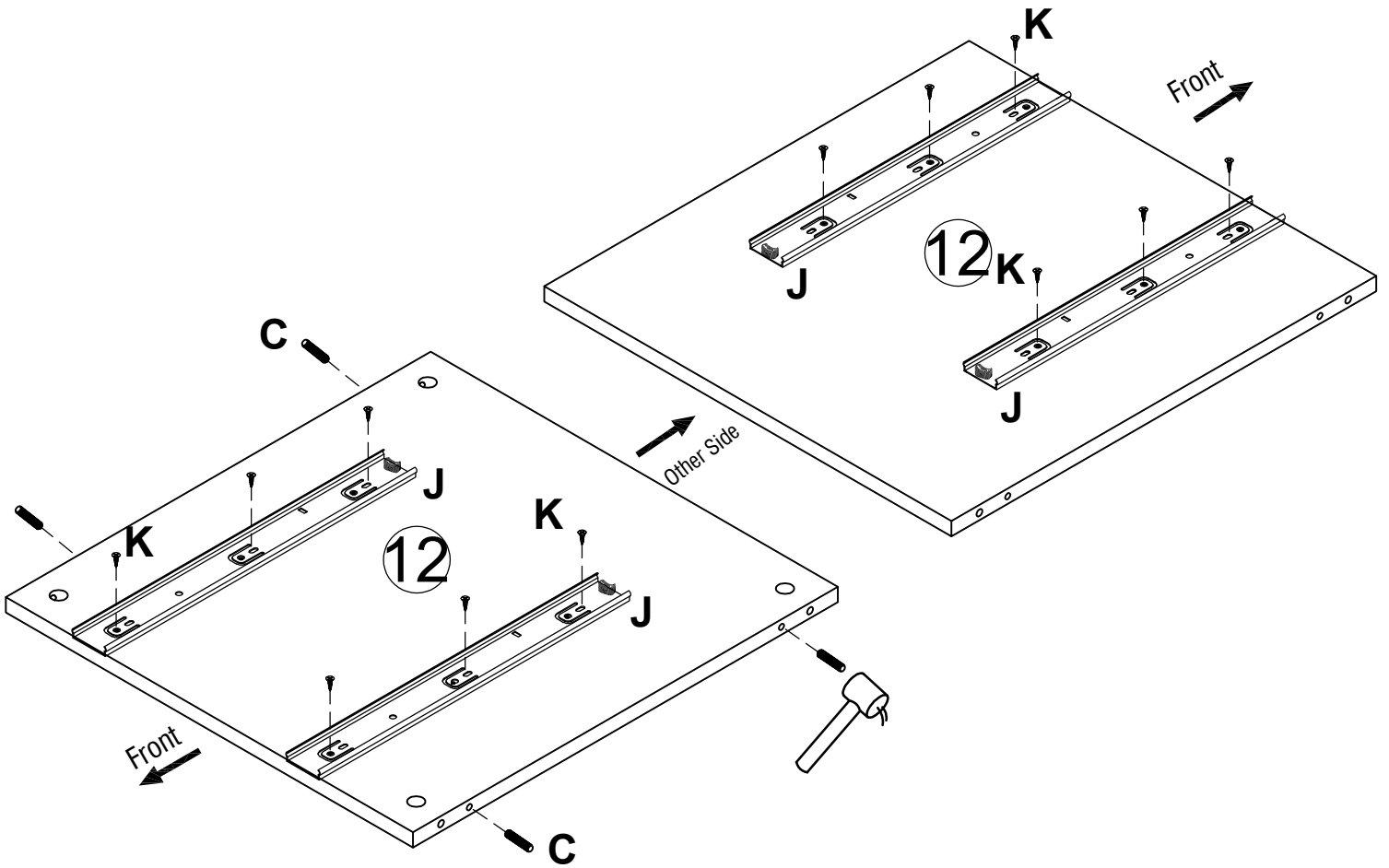


### ATTENTION:

1. Please locate the holes from the back of part J.

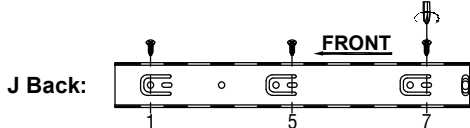


2. Then please install part J from the front of part J.

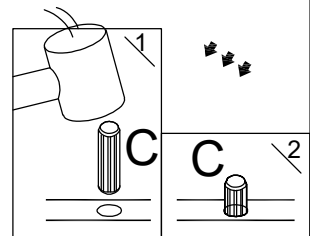


### ATTENTION:

1. Please locate the holes from the back of part J.



2. Then please install part J from the front of part J.



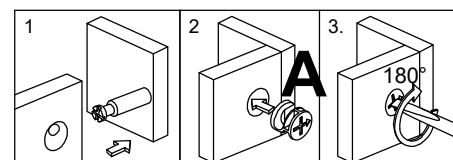
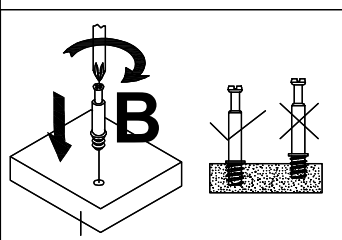
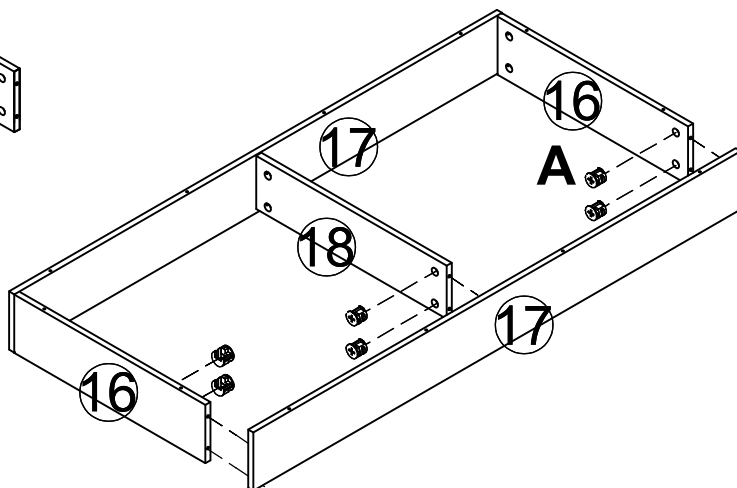
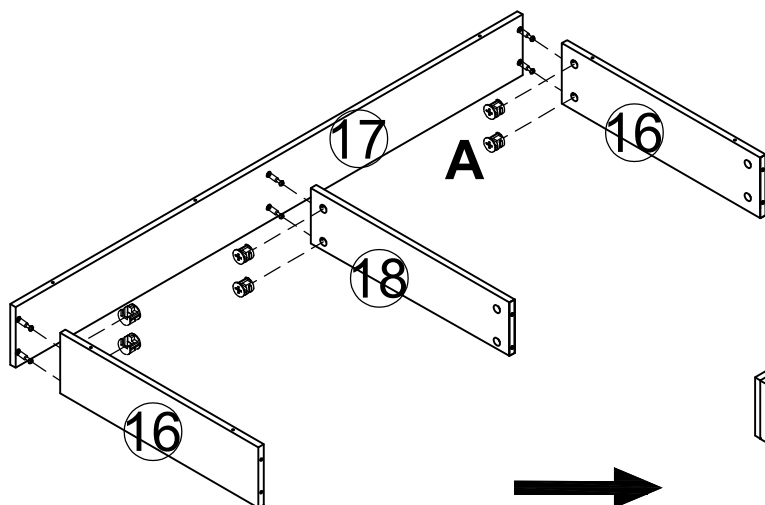
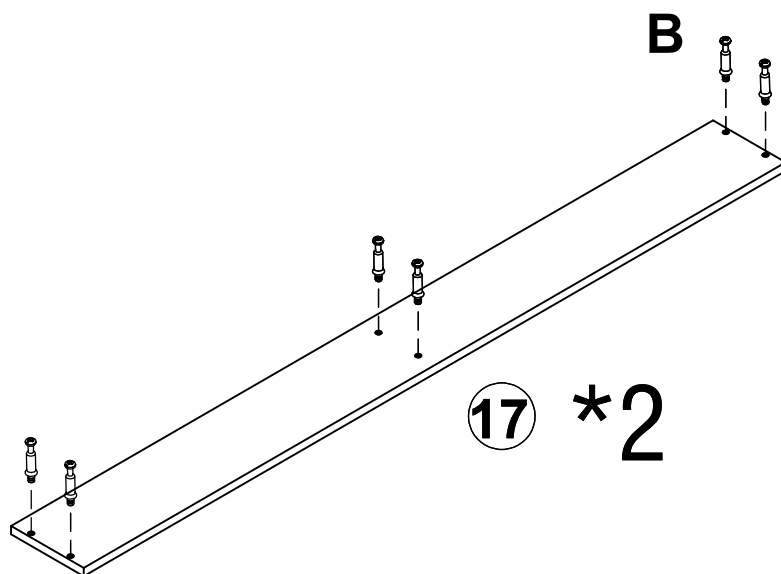
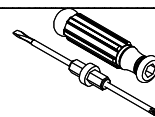
# INSTALLATION STEPS

4

YOU WILL NEED

B x 12

A x 12

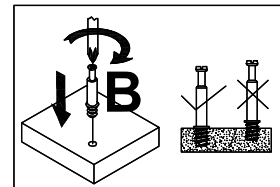
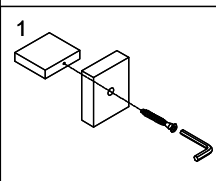
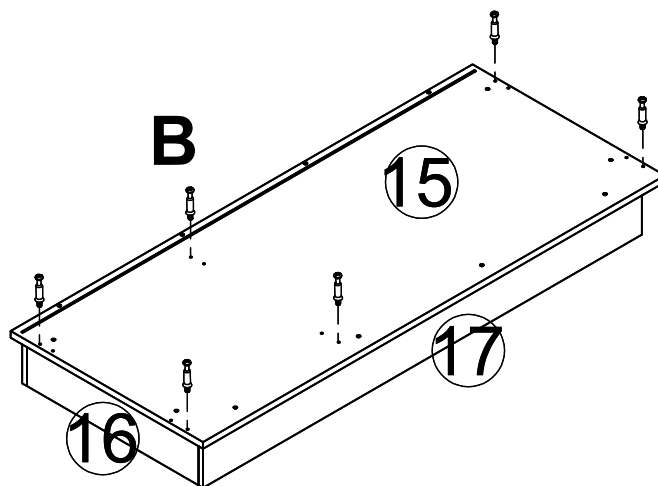
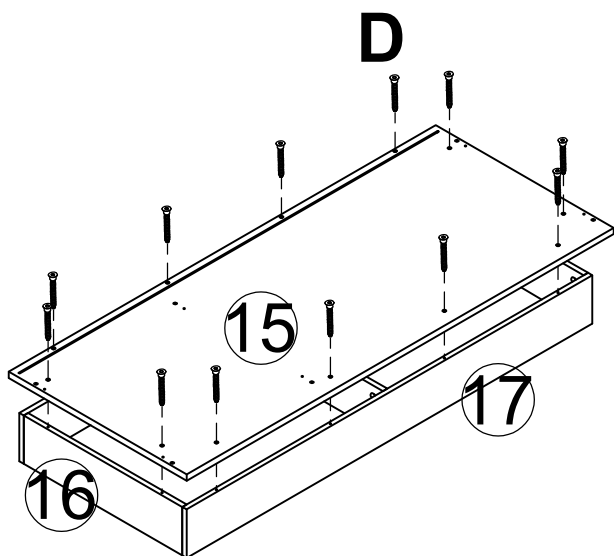
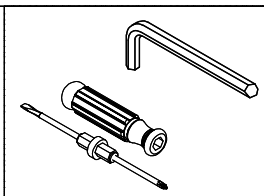


# INSTALLATION STEPS

**5**

**YOU WILL NEED**

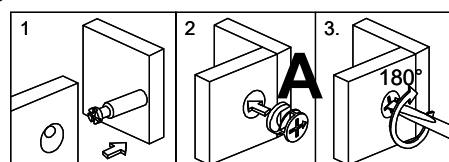
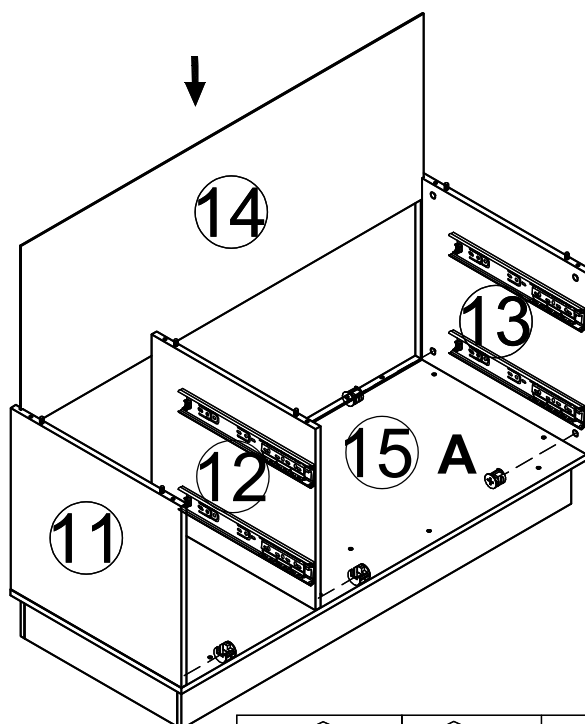
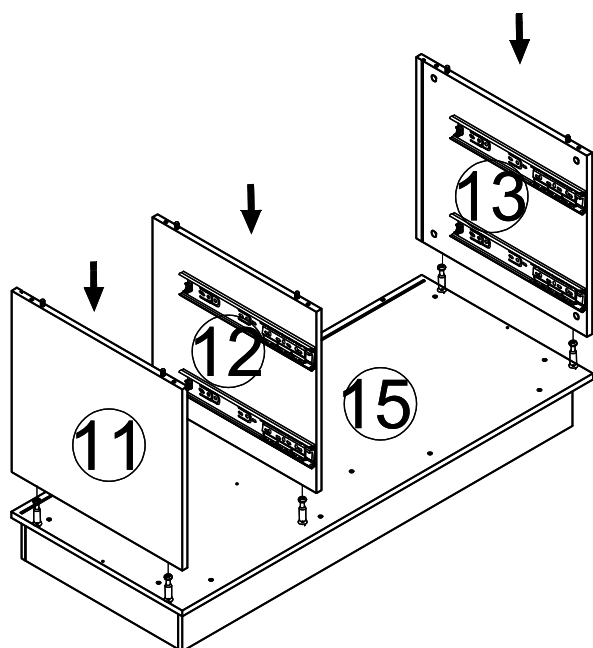
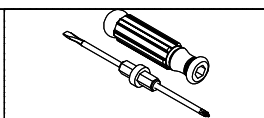
D x 12	B x 6	
--------	-------	--



**6**

**YOU WILL NEED**

A x 6		
-------	--	--

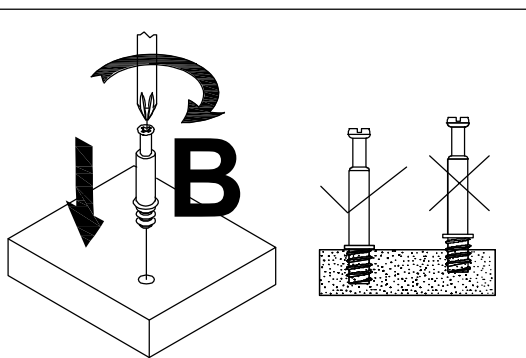
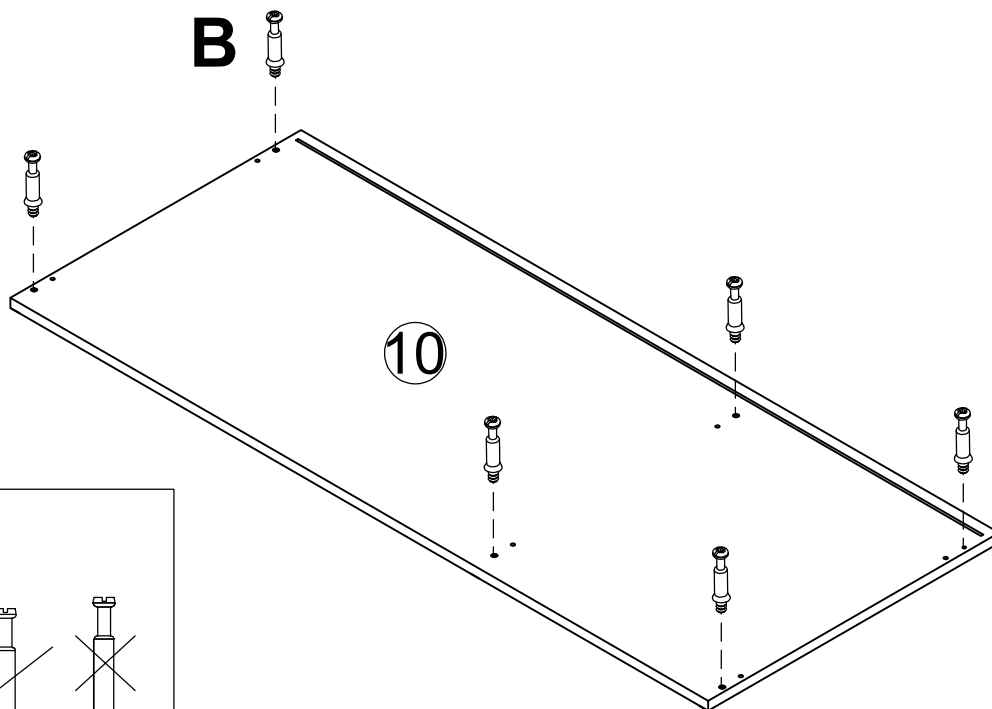
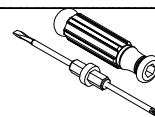


# INSTALLATION STEPS

**7**

**YOU WILL NEED**

B x 6

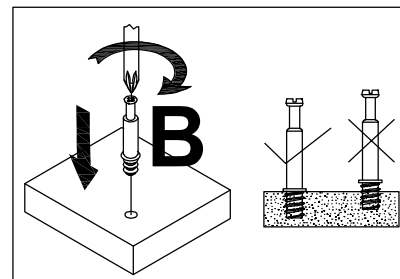
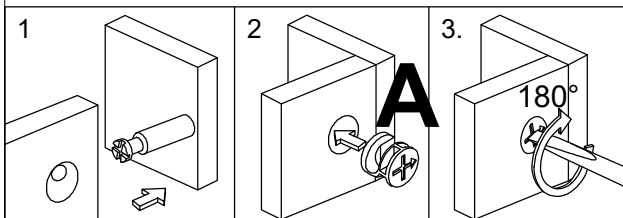
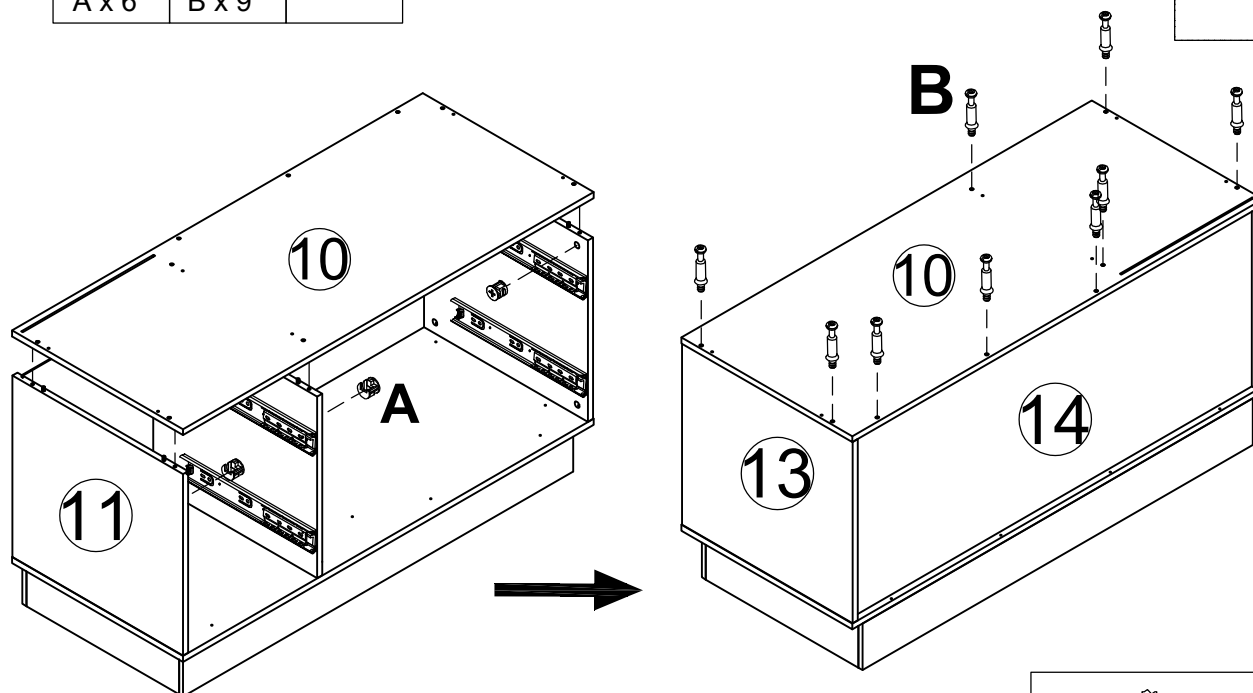
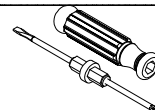


**8**

**YOU WILL NEED**

A x 6

B x 9

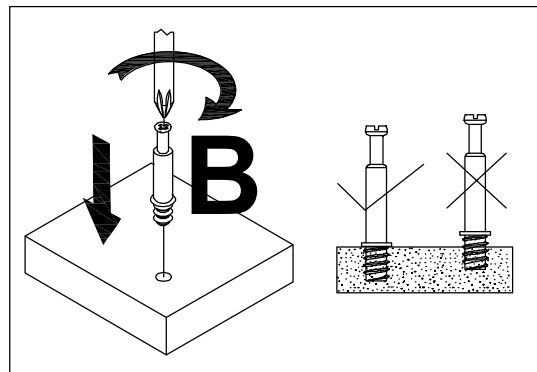
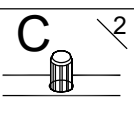
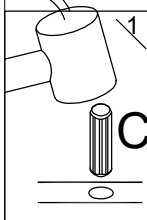
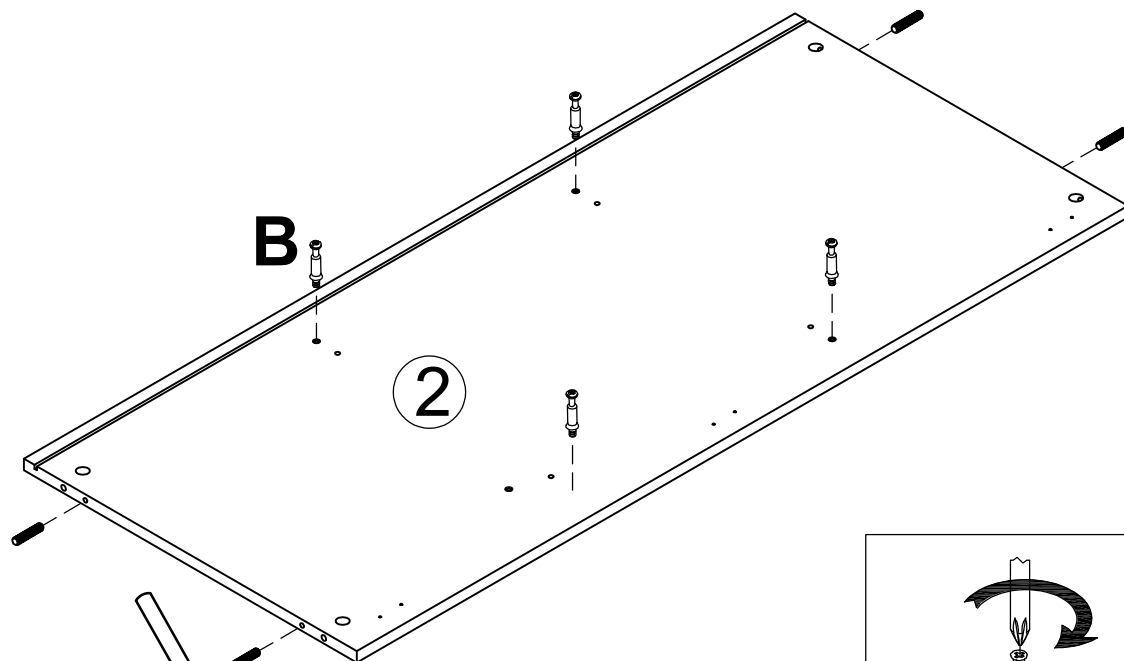
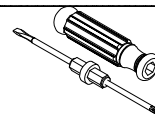


# INSTALLATION STEPS

**9**

**YOU WILL NEED**

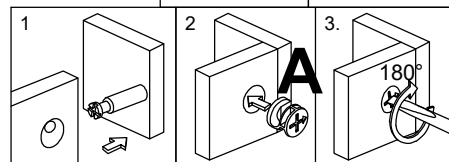
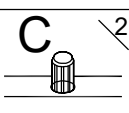
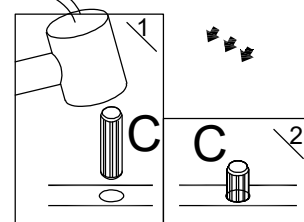
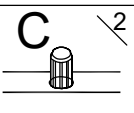
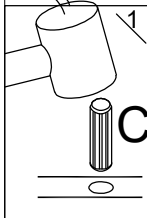
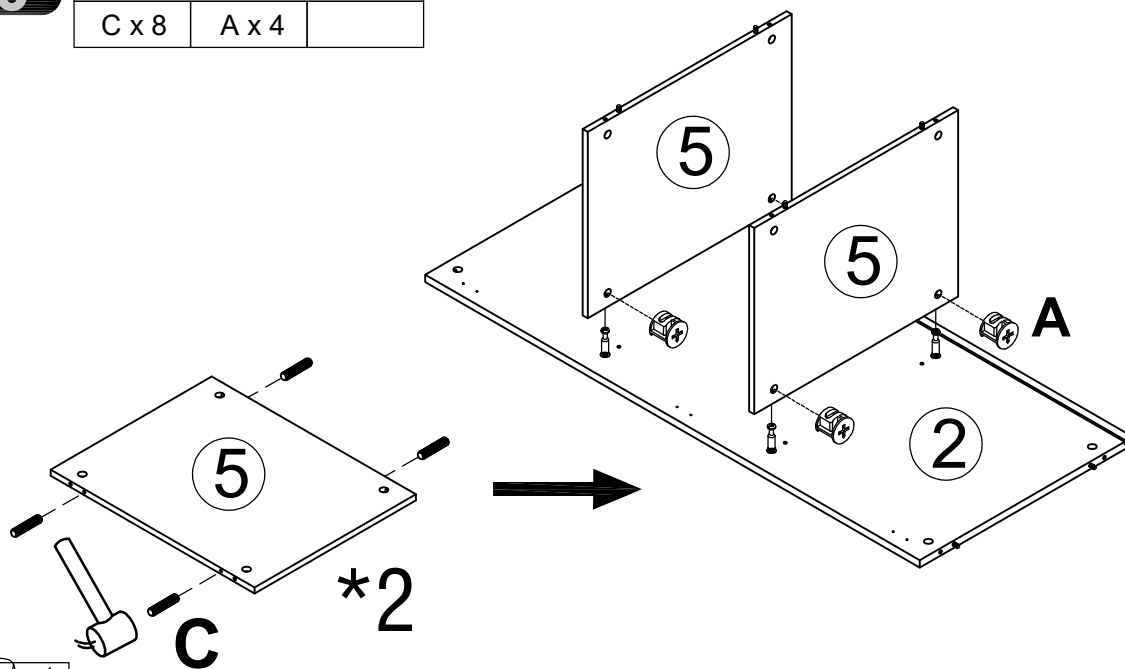
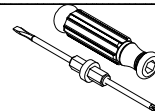
B x 4	C x 4	
-------	-------	--



**10**

**YOU WILL NEED**

C x 8	A x 4	
-------	-------	--

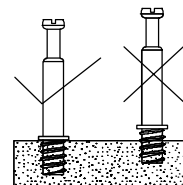
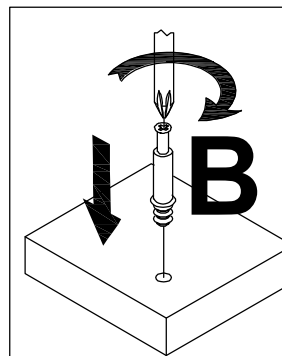
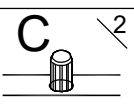
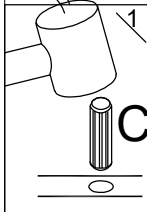
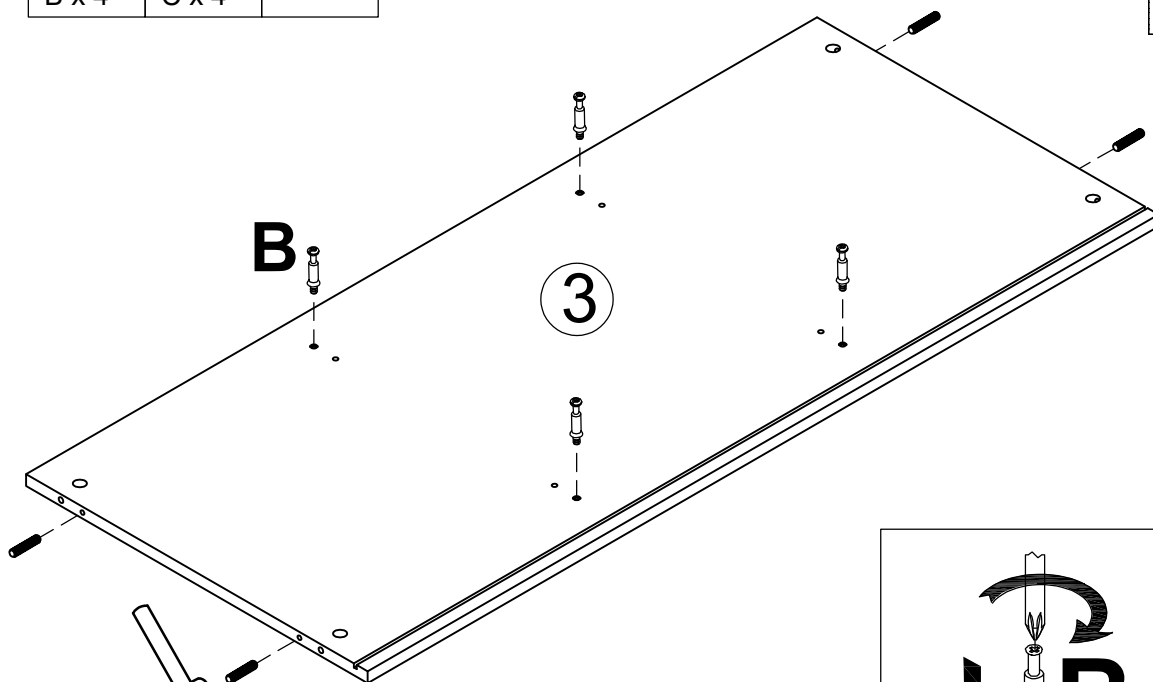
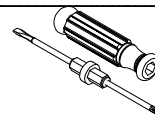


# INSTALLATION STEPS

**11**

YOU WILL NEED

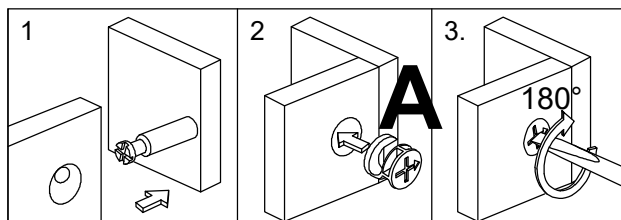
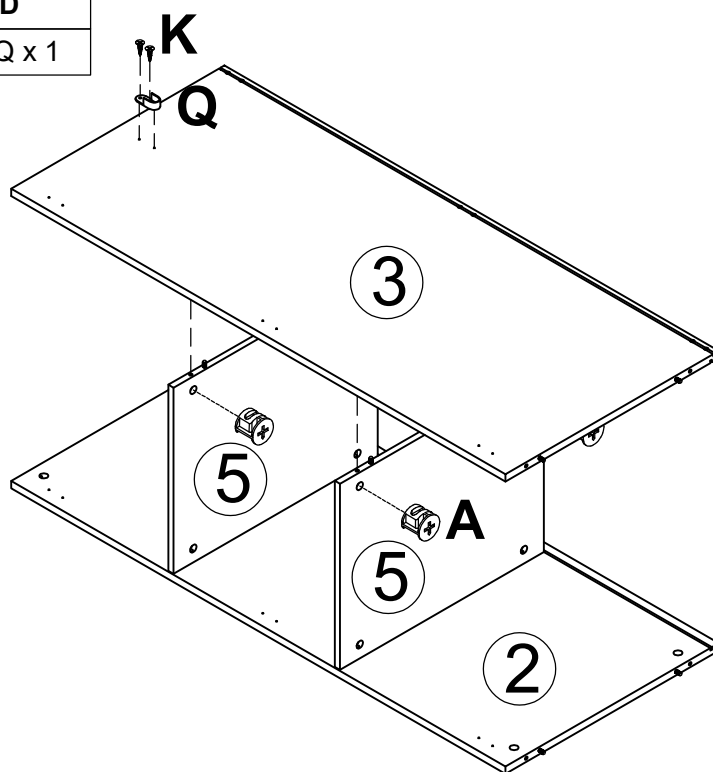
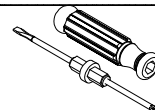
B x 4	C x 4	
-------	-------	--



**12**

YOU WILL NEED

A x 4	K x 2	Q x 1
-------	-------	-------

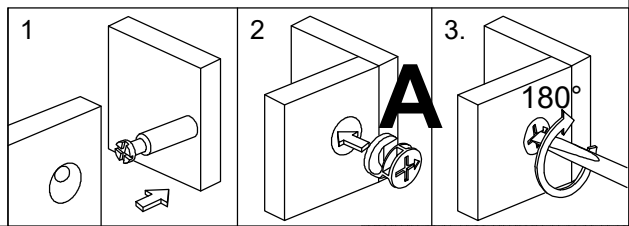
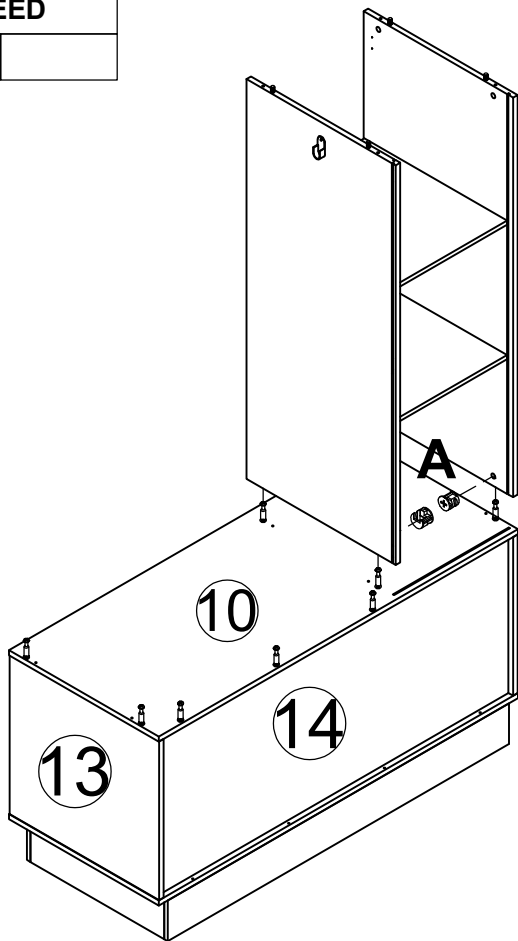
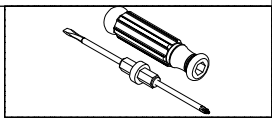


# INSTALLATION STEPS

## 13

YOU WILL NEED

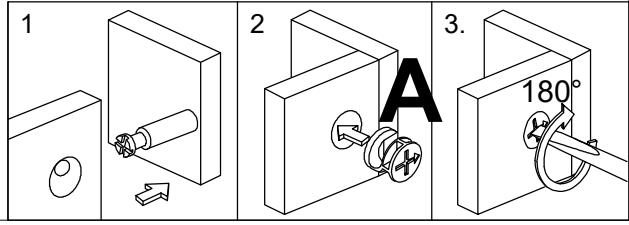
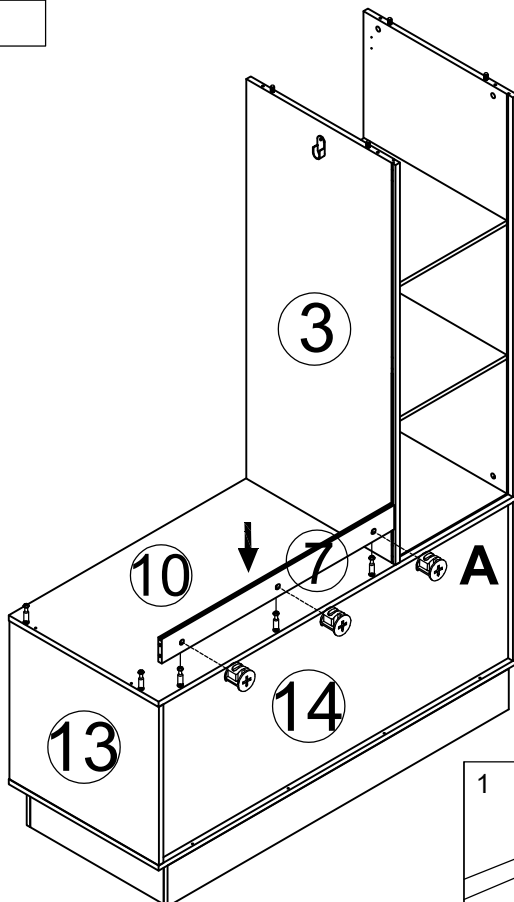
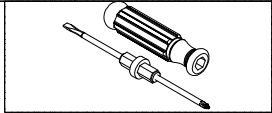
A x 4



## 14

YOU WILL NEED

A x 3

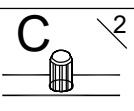
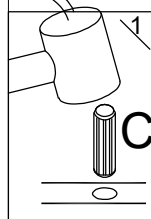
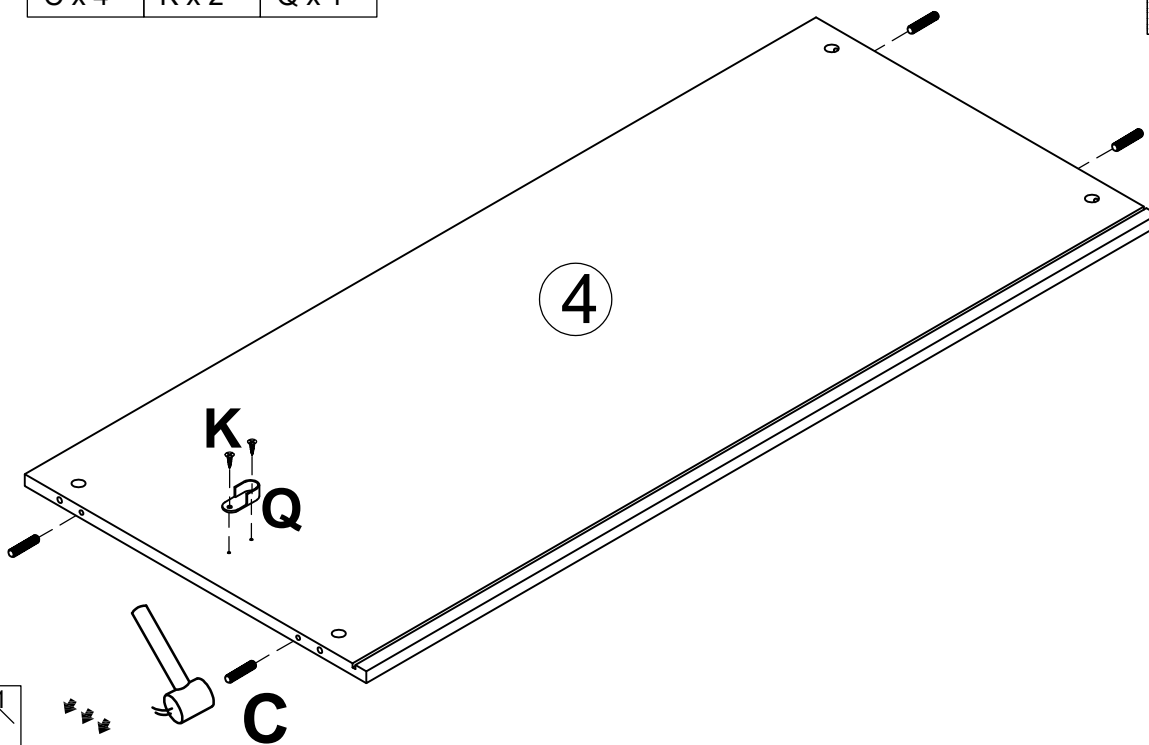
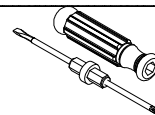


# INSTALLATION STEPS

## 15

YOU WILL NEED

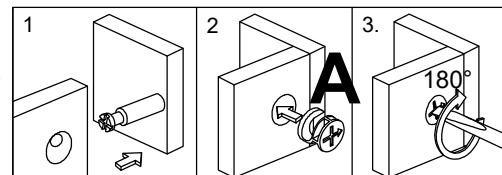
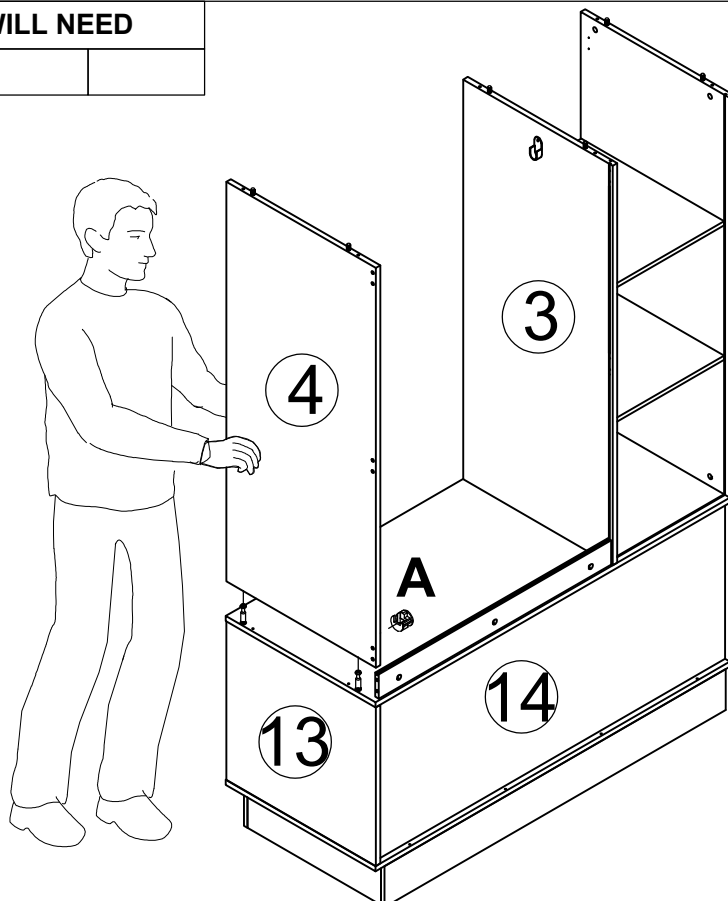
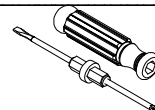
C x 4	K x 2	Q x 1
-------	-------	-------



## 16

YOU WILL NEED

A x 2		
-------	--	--



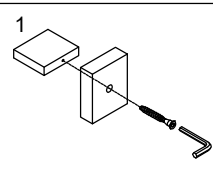
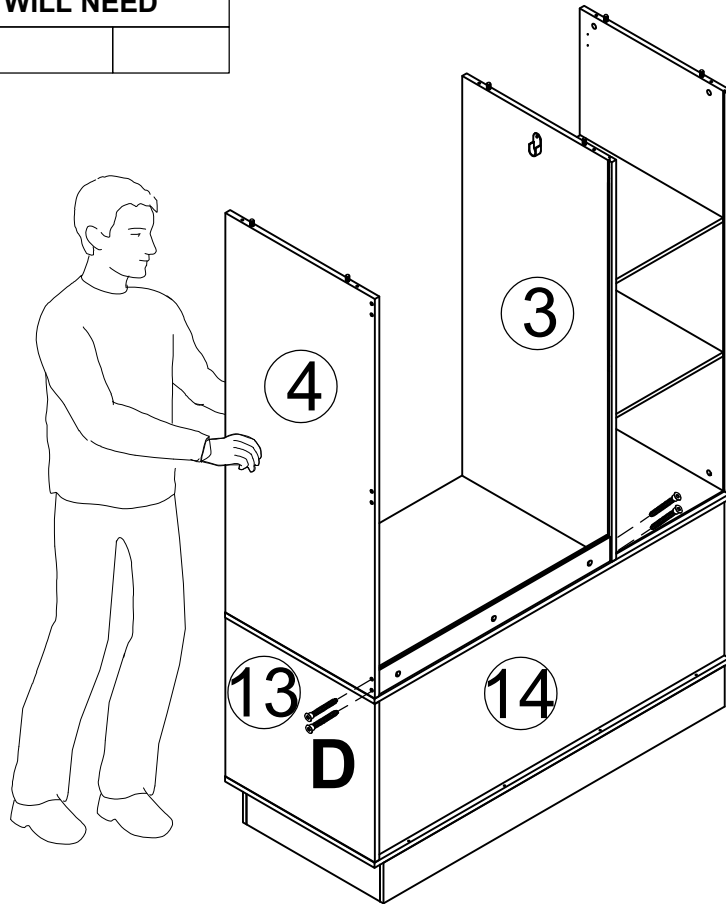
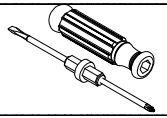
When installing side panel No. 4, two people are required to work together, one person holds the side panel, and the other person installs accessories to prevent the side panel from flipping outward and falling.

# INSTALLATION STEPS

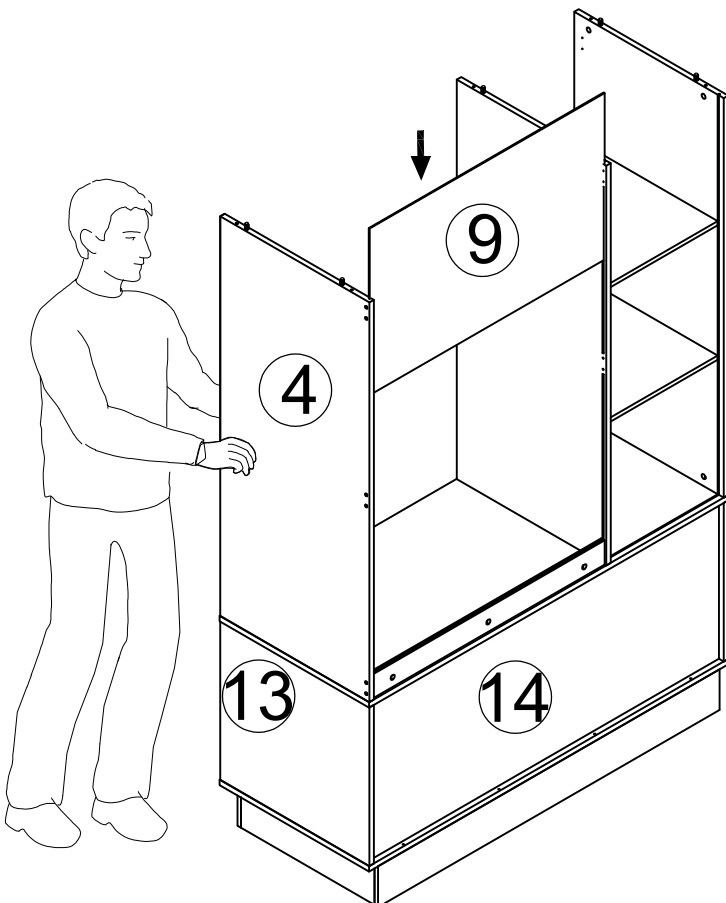
17

YOU WILL NEED

D x 4



18

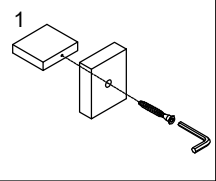
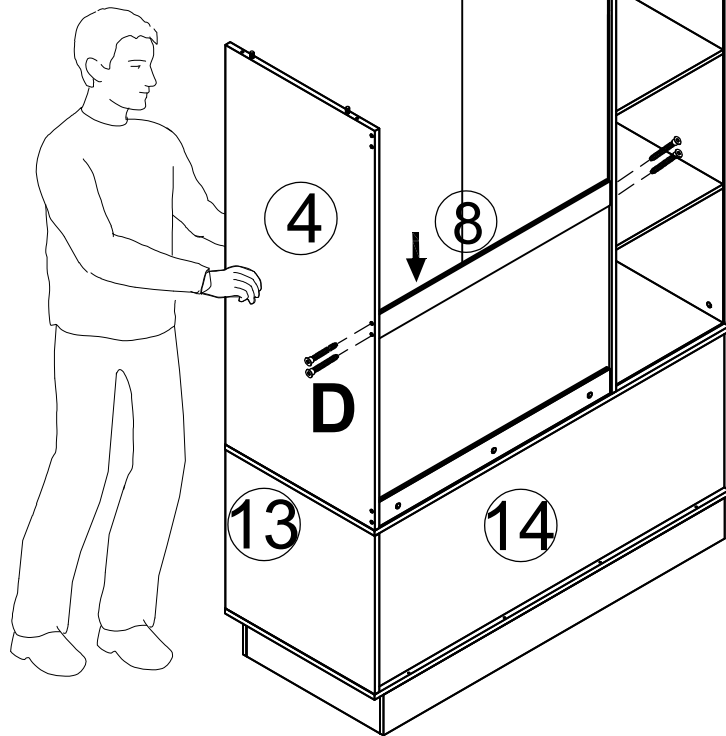
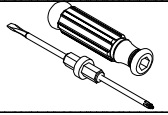


# INSTALLATION STEPS

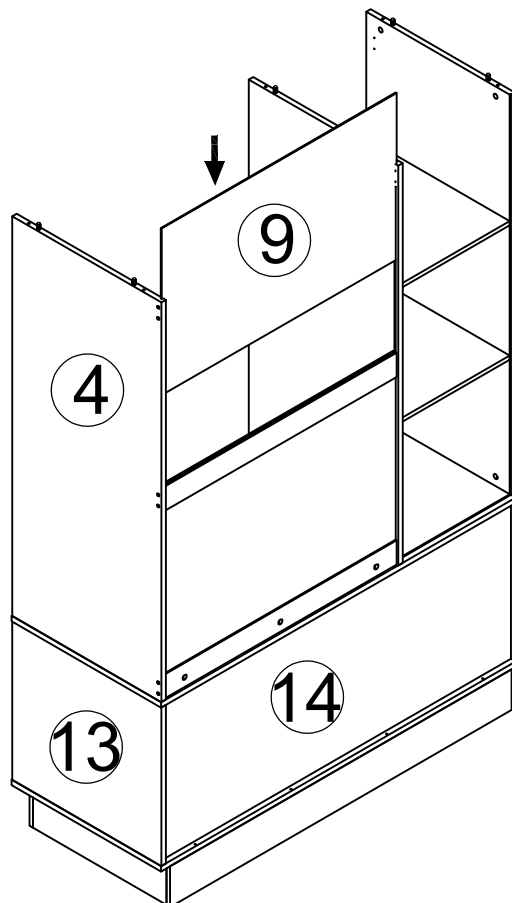
19

YOU WILL NEED

D x 4



20

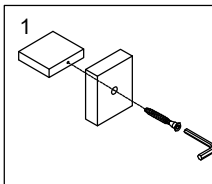
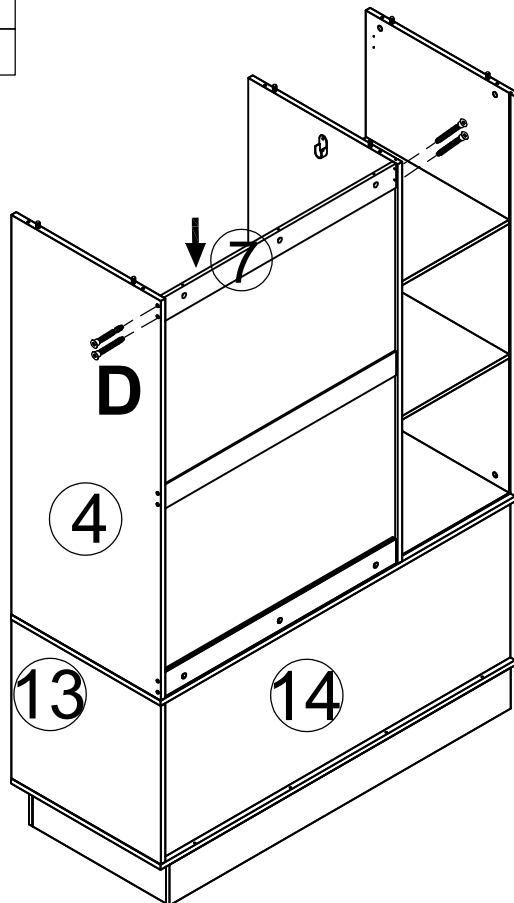
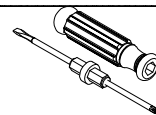


# INSTALLATION STEPS

**21**

YOU WILL NEED

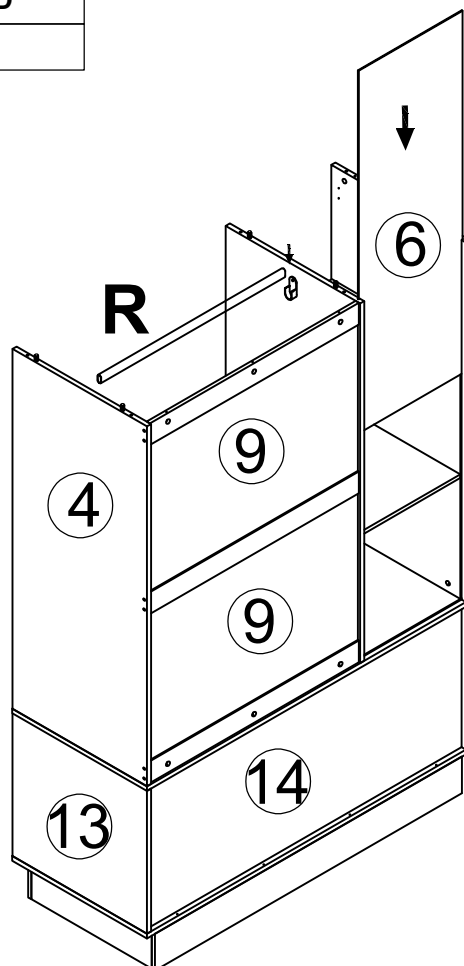
D x 4



**22**

YOU WILL NEED

R x 1

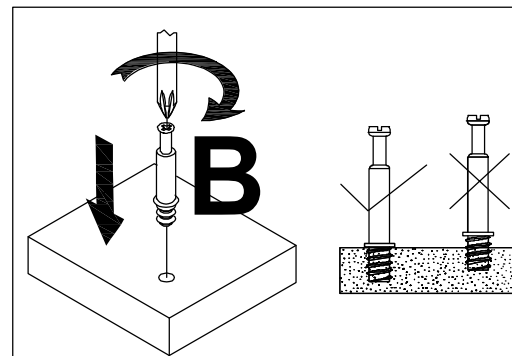
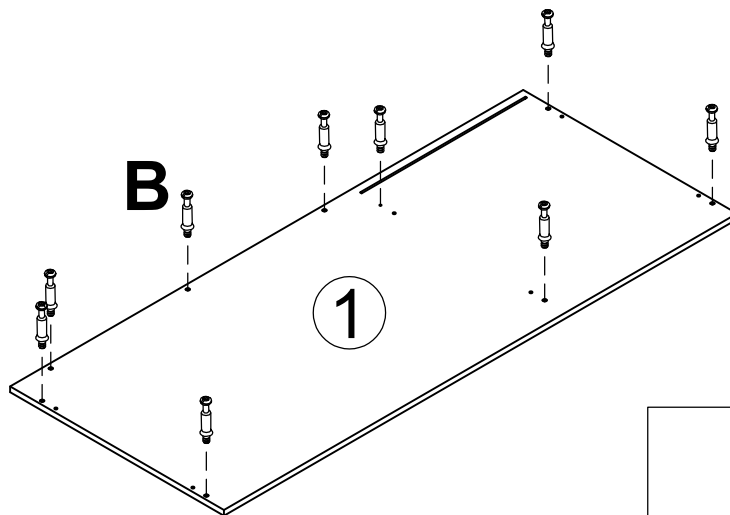
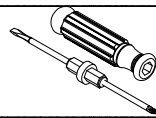


# INSTALLATION STEPS

**23**

YOU WILL NEED

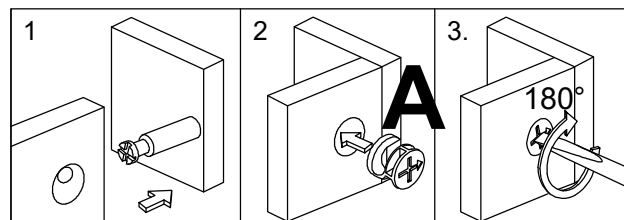
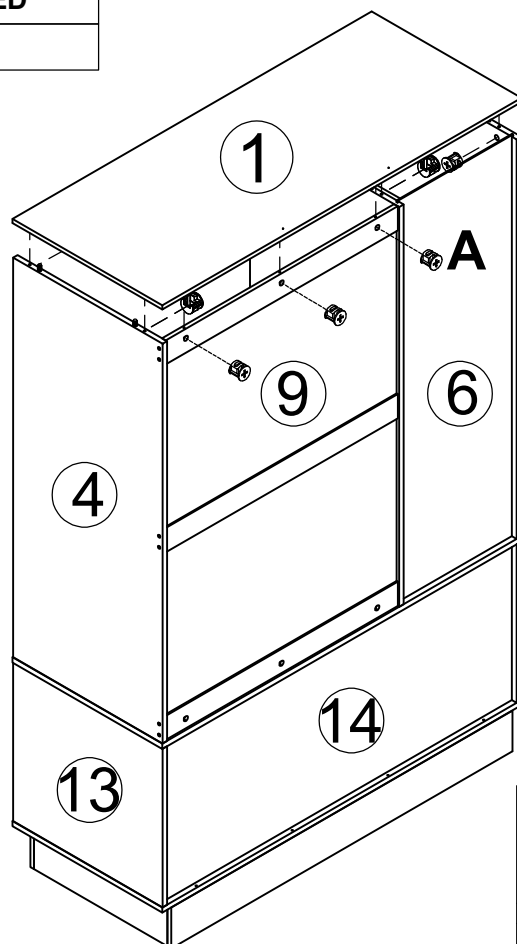
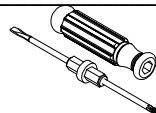
B x 9



**24**

YOU WILL NEED

A x 9

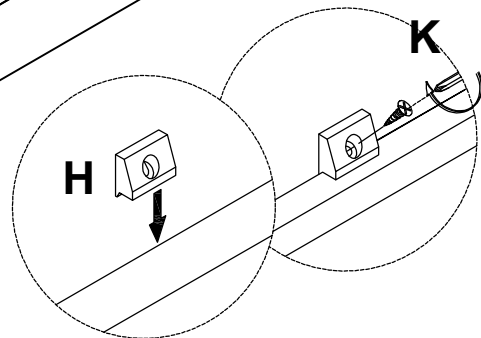
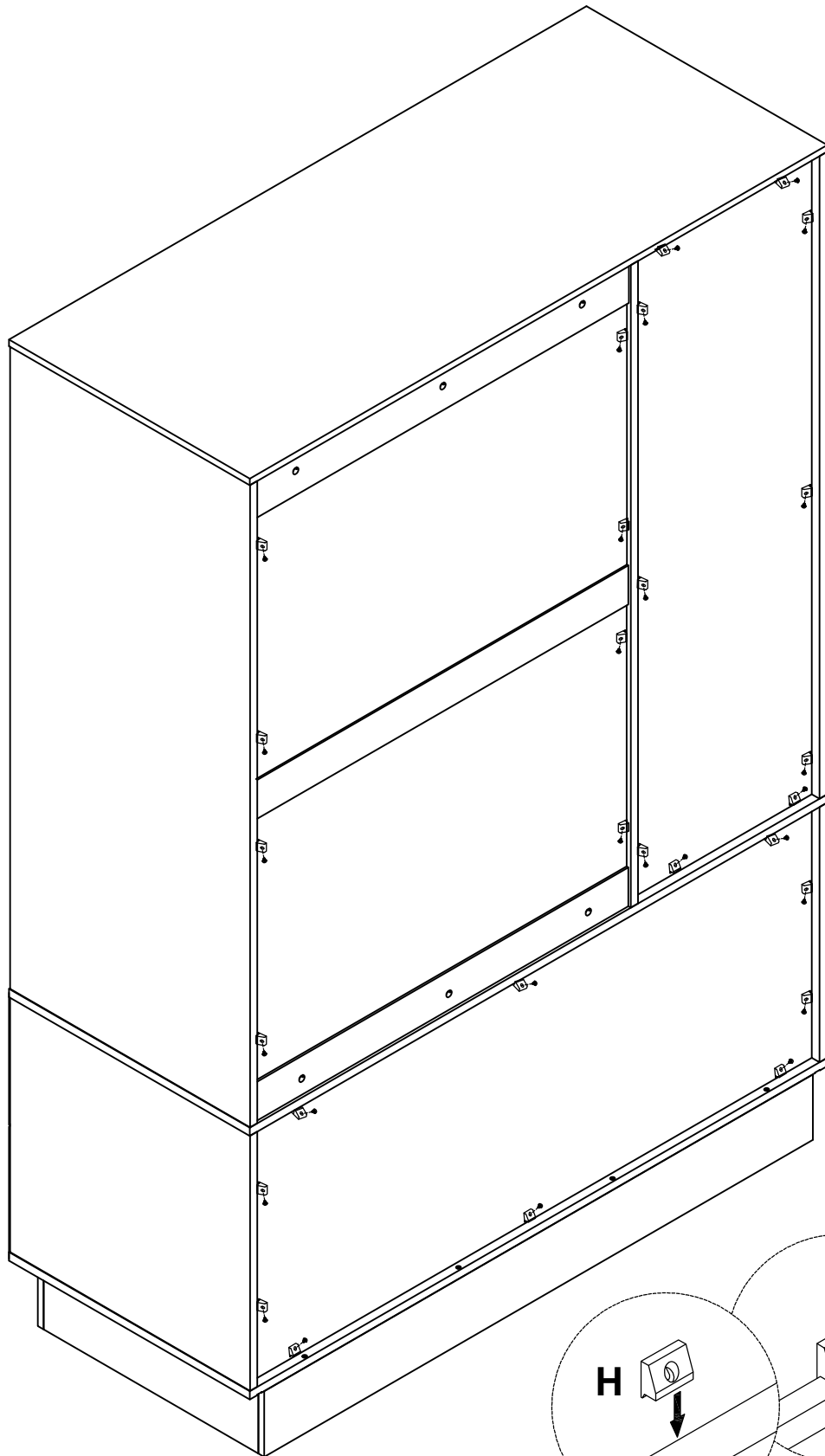
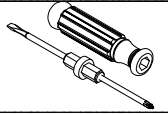


# INSTALLATION STEPS

**25**

**YOU WILL NEED**

H x 28	K x 28
--------	--------



# INSTALLATION STEPS

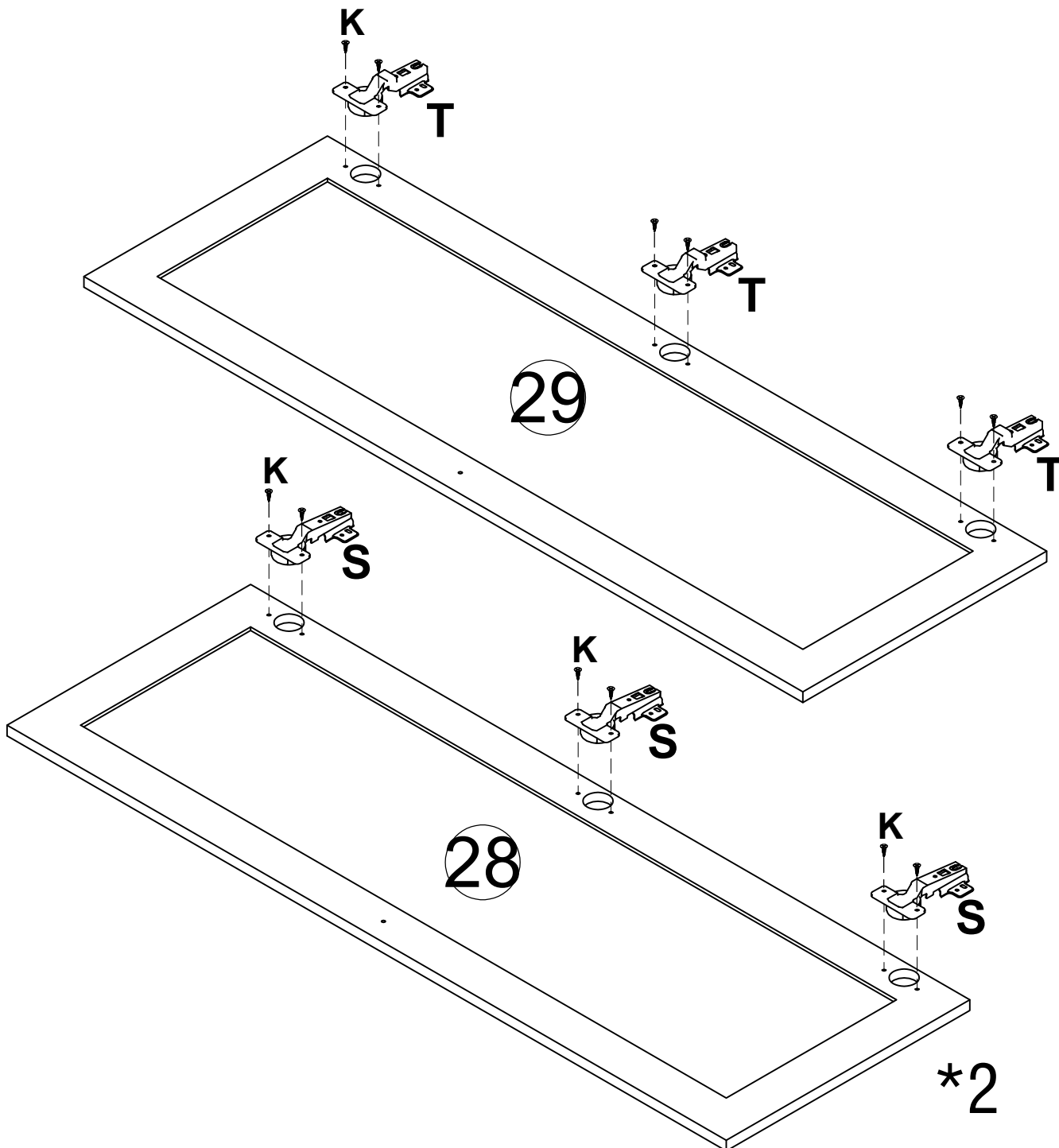
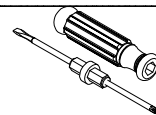
**26**

YOU WILL NEED

K x 18

S x 6

T x 3



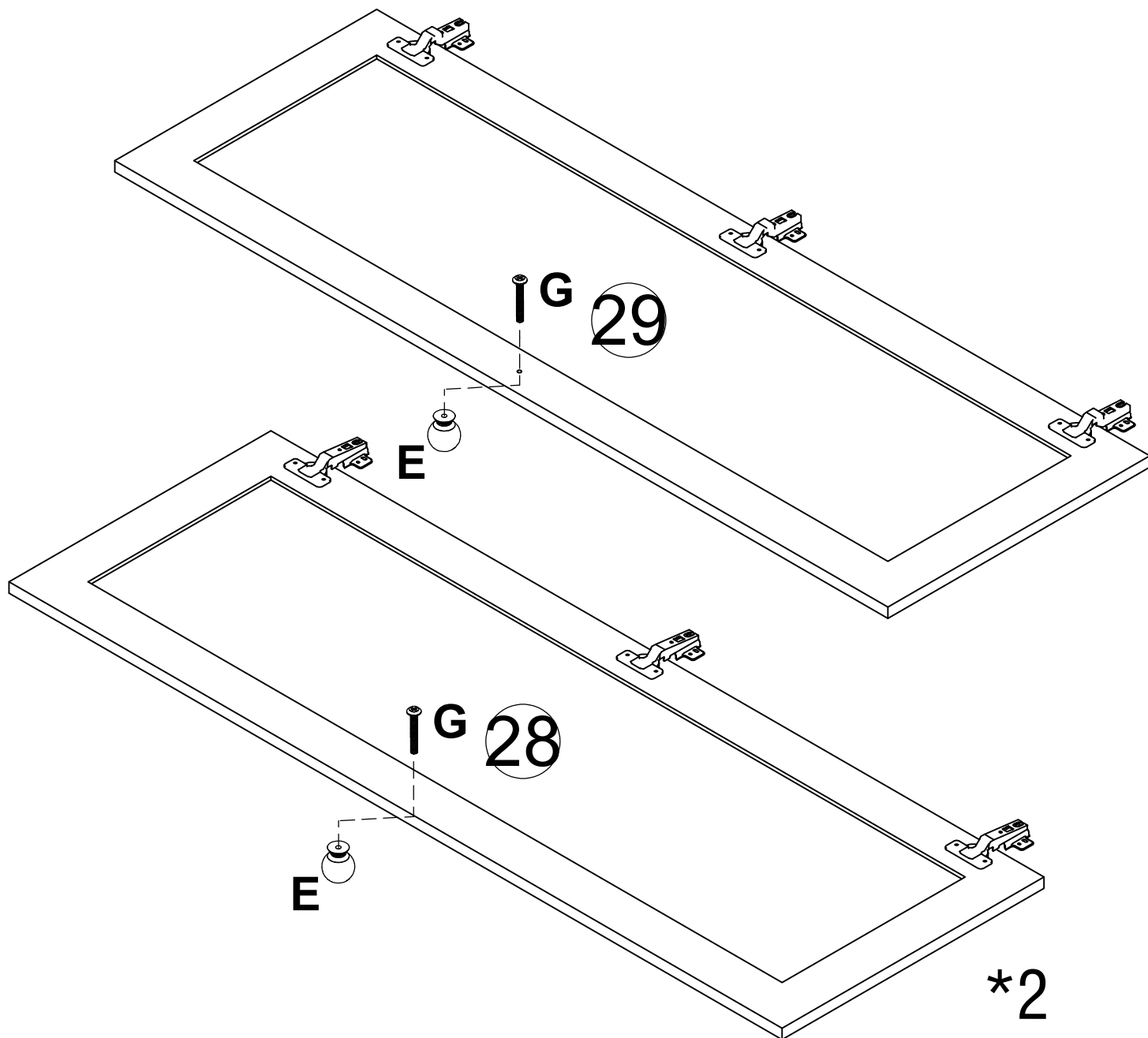
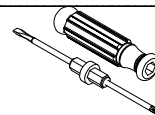
# INSTALLATION STEPS

**27**

YOU WILL NEED

G x 3

E x 3

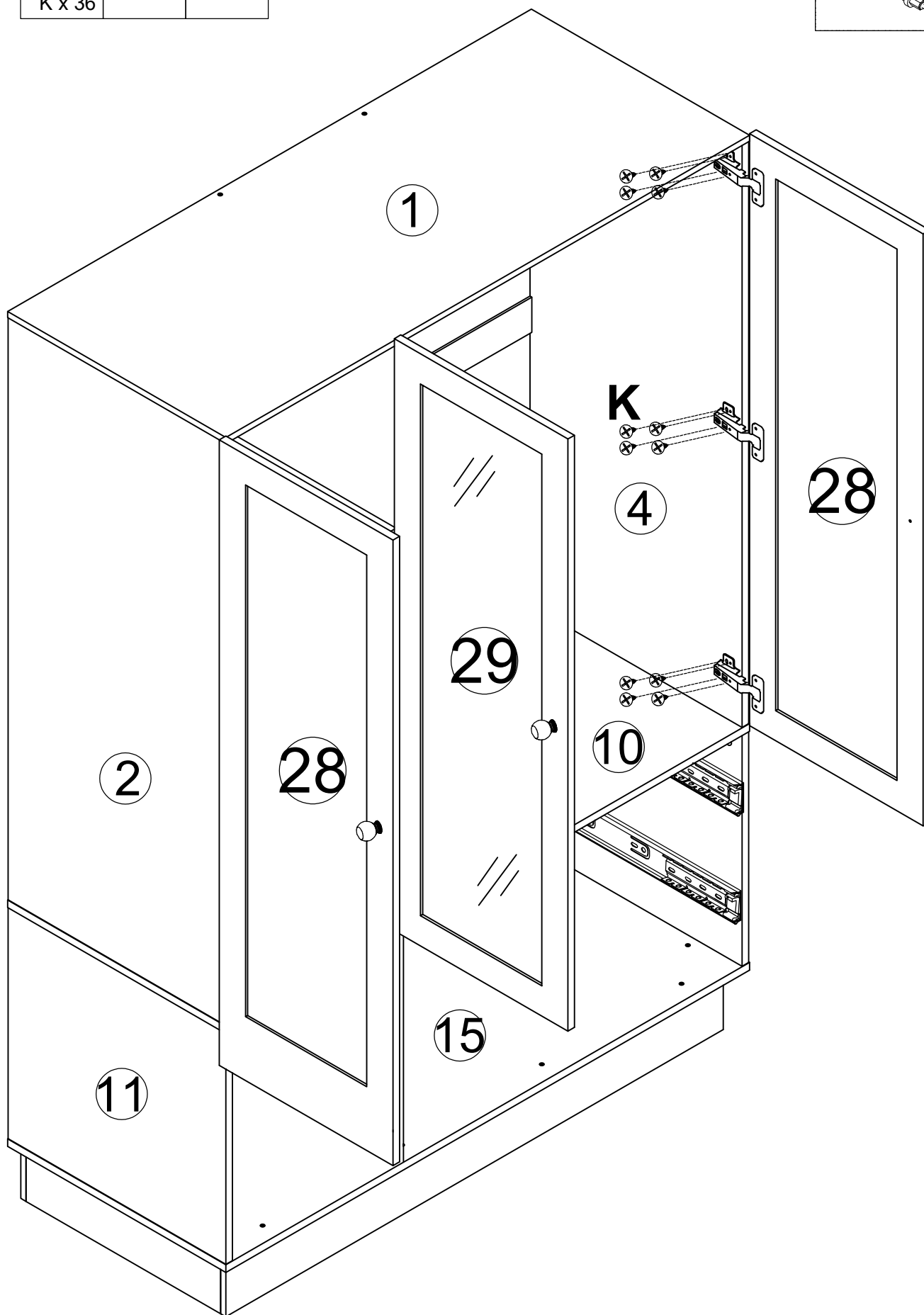
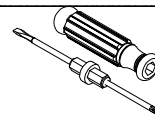


# INSTALLATION STEPS

**28**

YOU WILL NEED

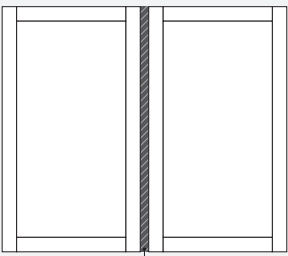
K x 36



# The ways to adjust the door:

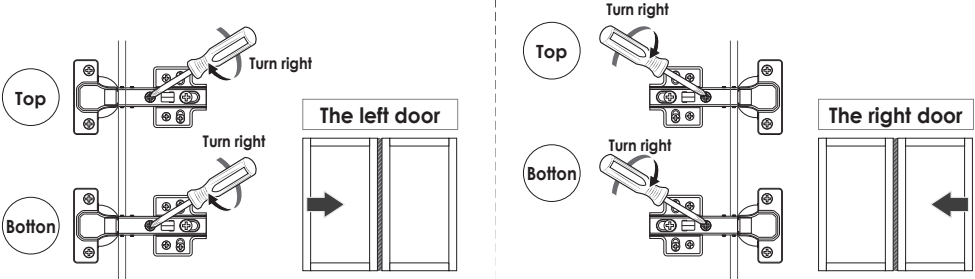
1. Before adjusting the hinge, please check whether the cabinet is skewed.
2. If the skew can not be repaired, adjust the cabinet to vertical position.
3. Please adjust the hinge with the door open

**Obvious gaps between doors or Doors don't look closed**



Have gap

**1** Turn "internal & external screw" to the right can make the door approach inside. Please adjust the doors little by little.



Top Turn right

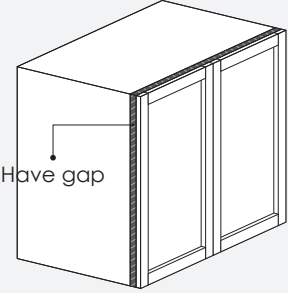
Bottom Turn right

The left door

The right door

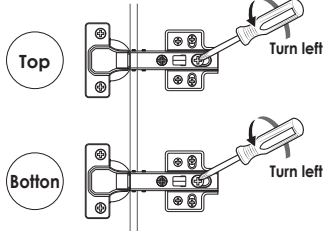
\* If the 2 doors are overlap, please turn the "internal & external screw" to the left.

**When door is crooked**



Have gap

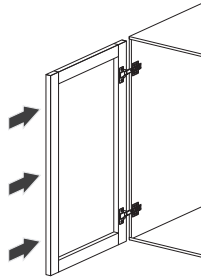
**1** Rotate the "front and rear screws" to the left.



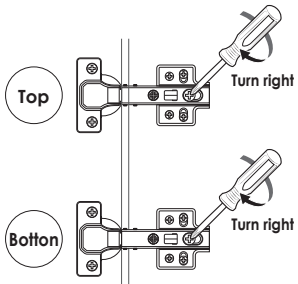
Top Turn left

Bottom Turn left

**2** Push the door to the cabinet.



**3** Rotate the "front and rear screws" to the right.

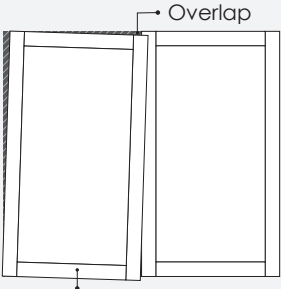


Top Turn right

Bottom Turn right

\*After adjusting the "front and rear screw", the door still does not change, please turn the "internal & external screw" to the right Slightly.

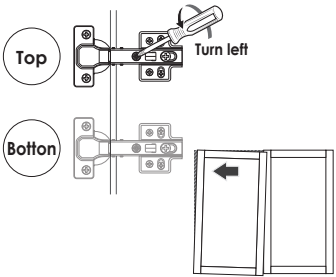
**When door is leaning**



Overlap

Protruding to the underside

Turn "internal & external screw" to the left can make the top of the door tilted outward.



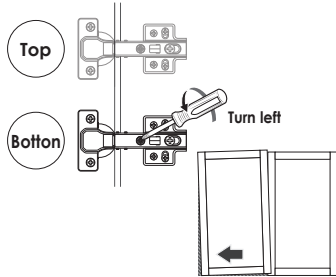
Top Turn left

Bottom Turn left

Protruding to the upside

Overlap

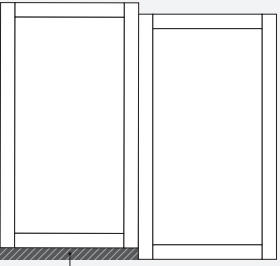
Turn "internal & external screw" to the left can make the bottom of the door tilted outward.



Top Turn left

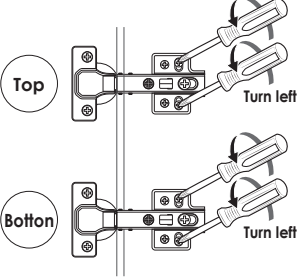
Bottom Turn left

**When the door is higher on top**



Have gap

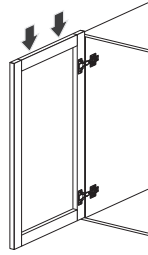
**1** Turn "up & down screw" to the left.



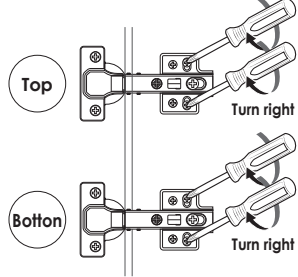
Top Turn left

Bottom Turn left

**2** Lower the door's height so that 2 doors are of the same height.



**3** Turn "up & down screw" to the right.



Top Turn right

Bottom Turn right

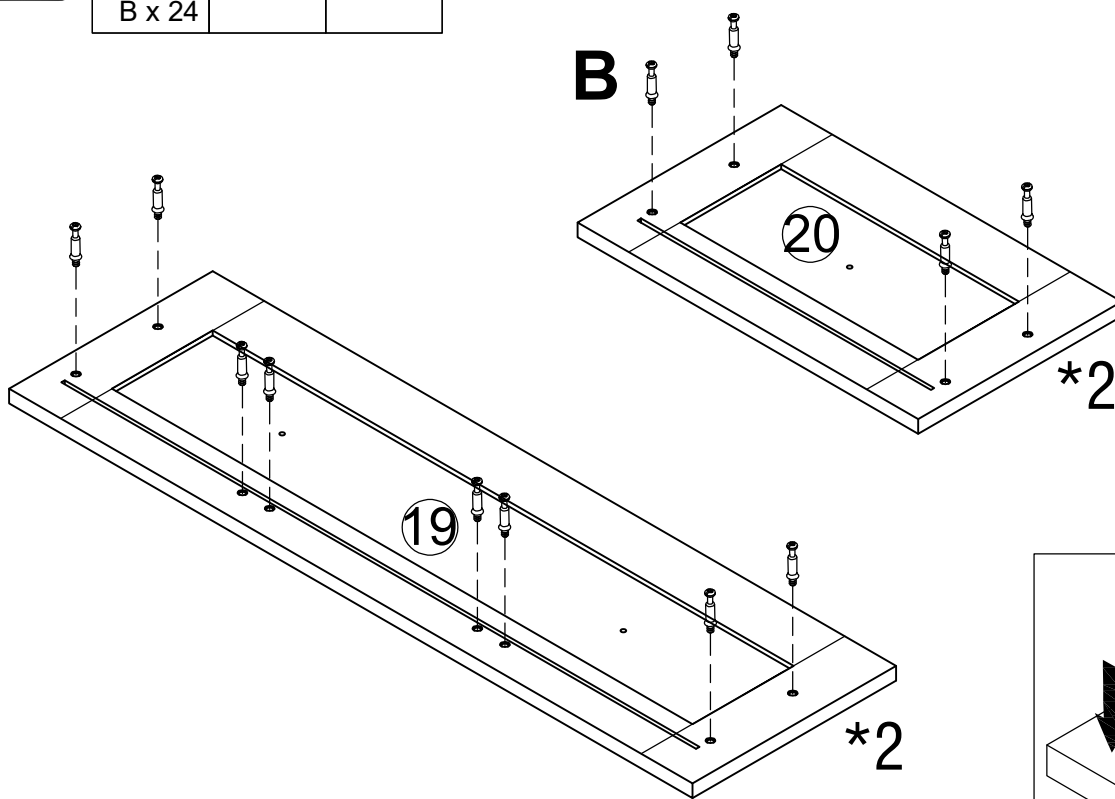
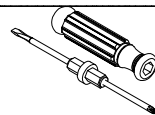
\*If the door is lower on bottom, please lift up the left door slightly on step 2.

# INSTALLATION STEPS

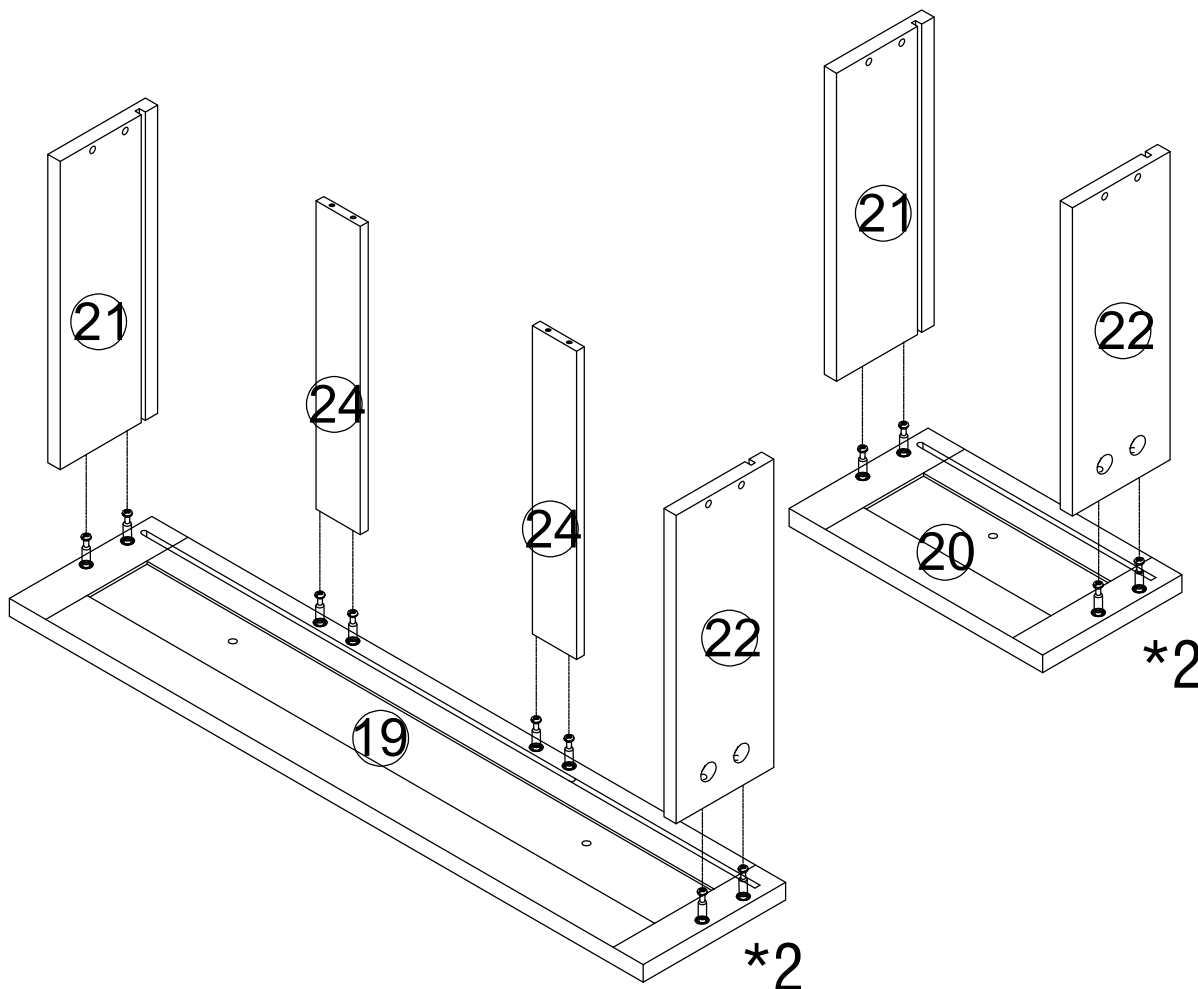
**29**

YOU WILL NEED

B x 24



**30**

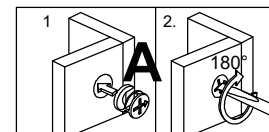
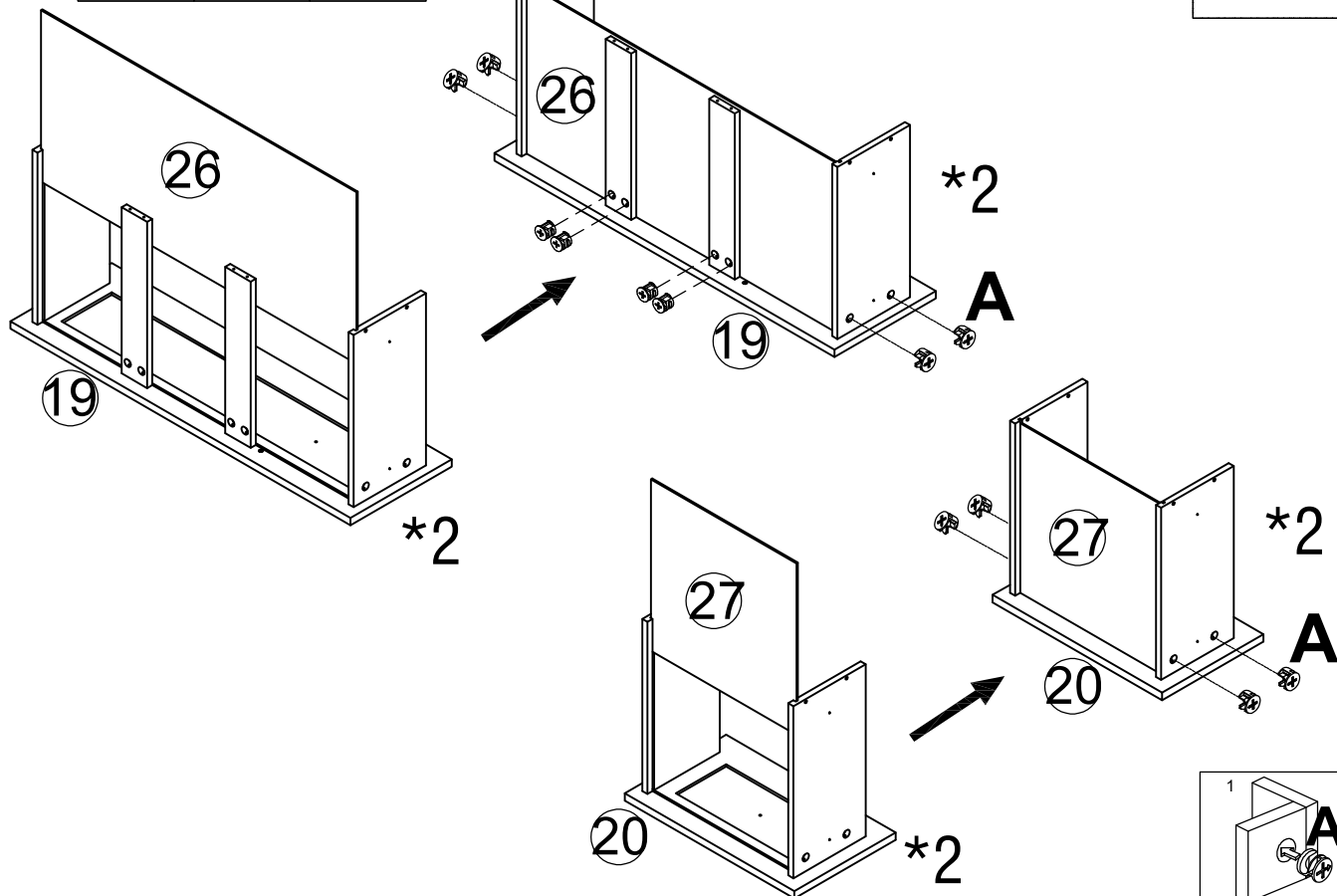
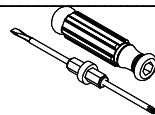


# INSTALLATION STEPS

## 31

**YOU WILL NEED**

A x 24



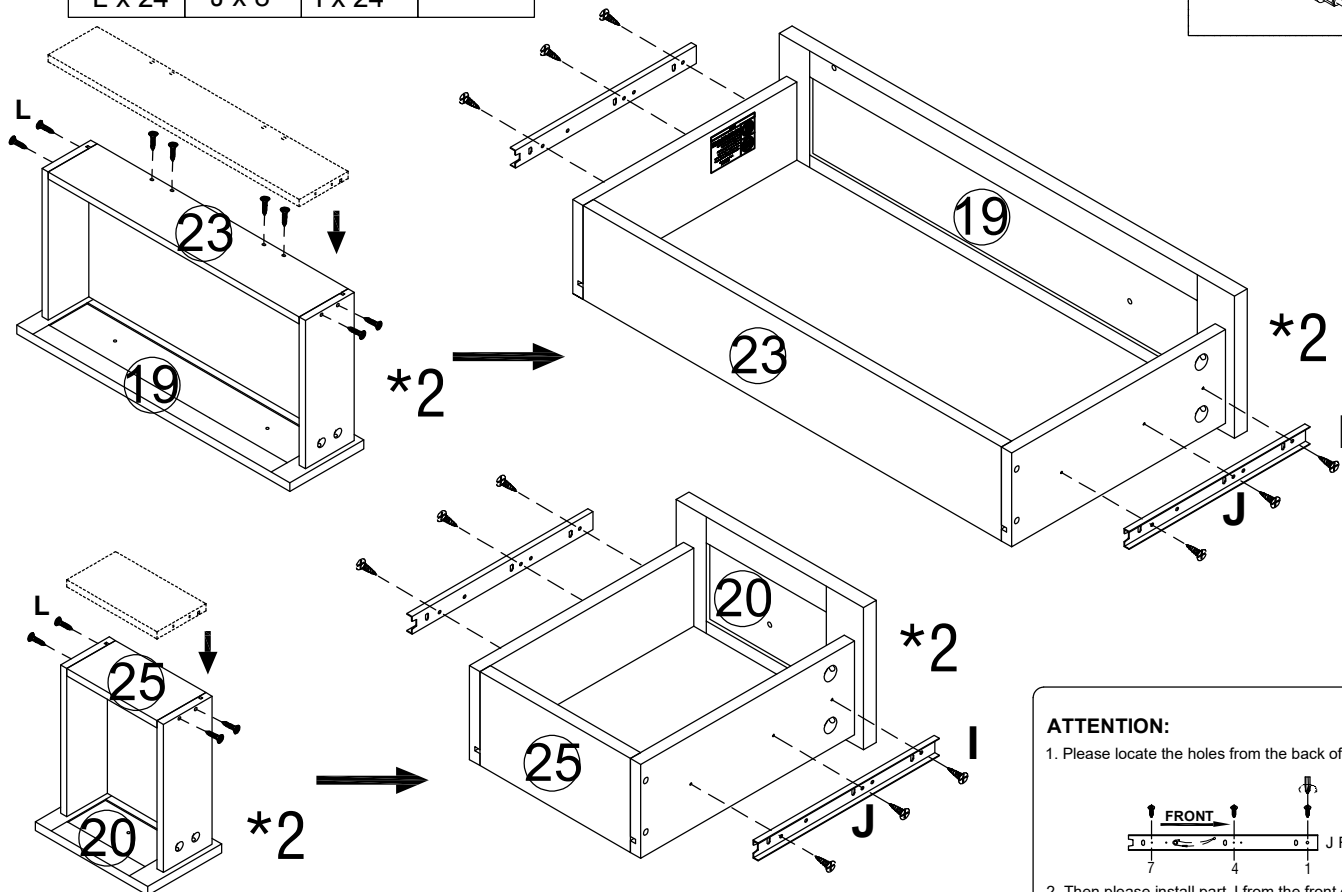
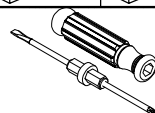
## 32

**YOU WILL NEED**

L x 24

J x 8

I x 24



**ATTENTION:**

- Please locate the holes from the back of part J.

FRONT

J Front:

2 4 1

- Then please install part J from the front of part J.

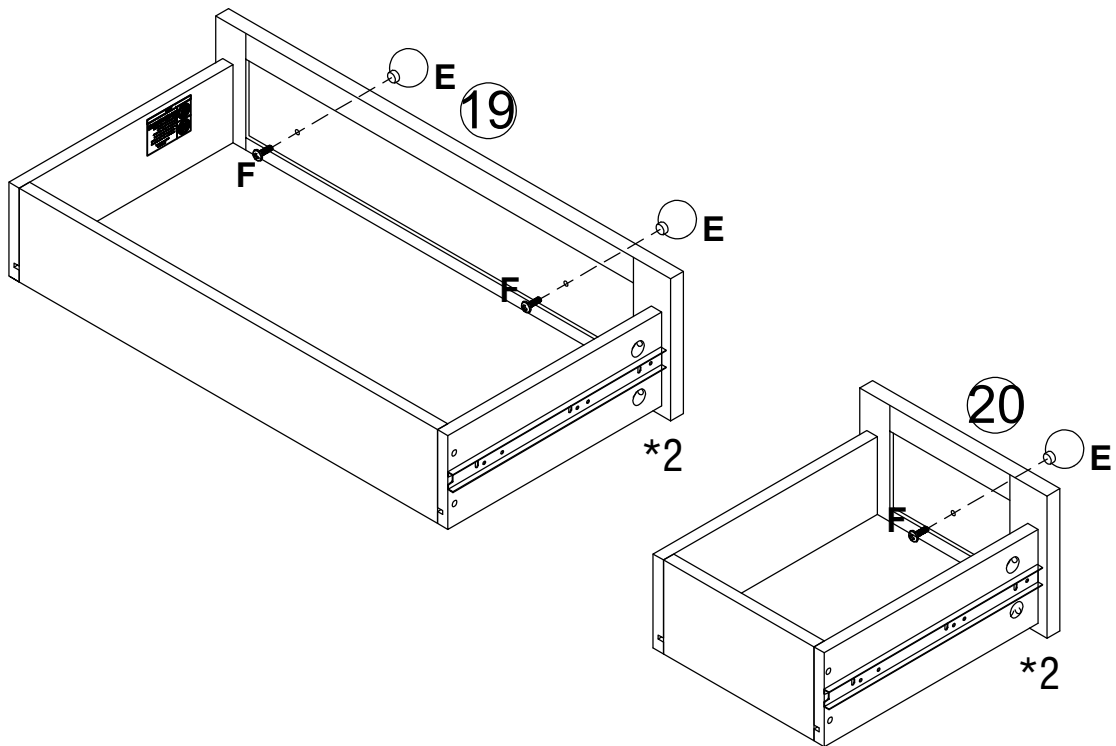
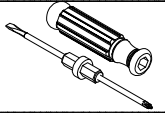
# INSTALLATION STEPS

33

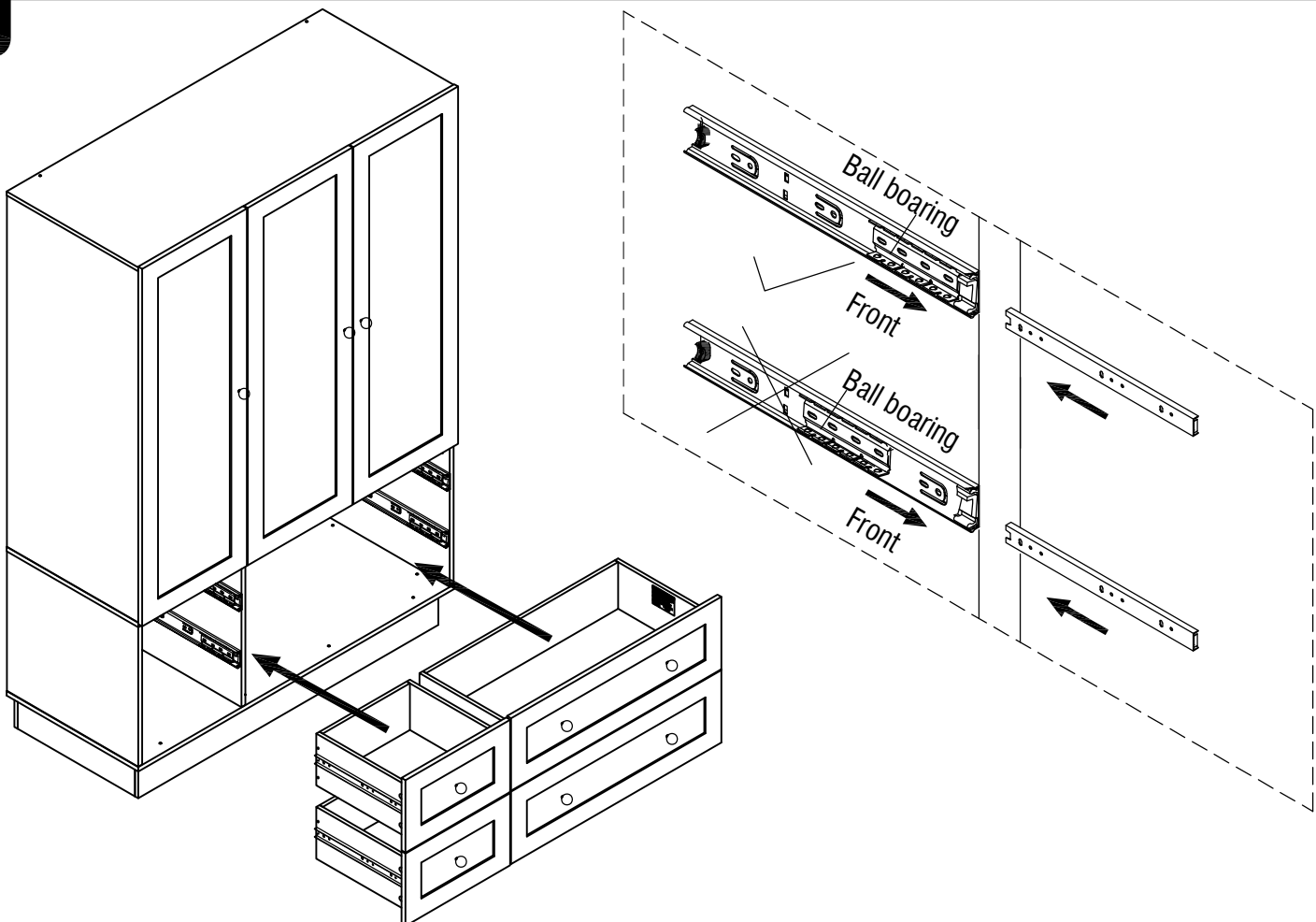
YOU WILL NEED

E x 6

F x 6



34



# INSTALLATION STEPS

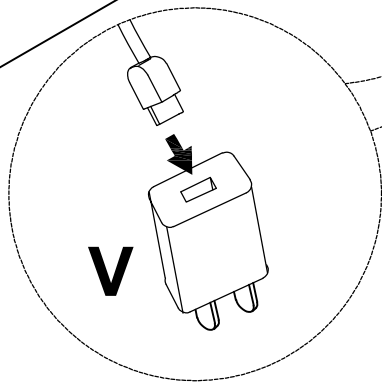
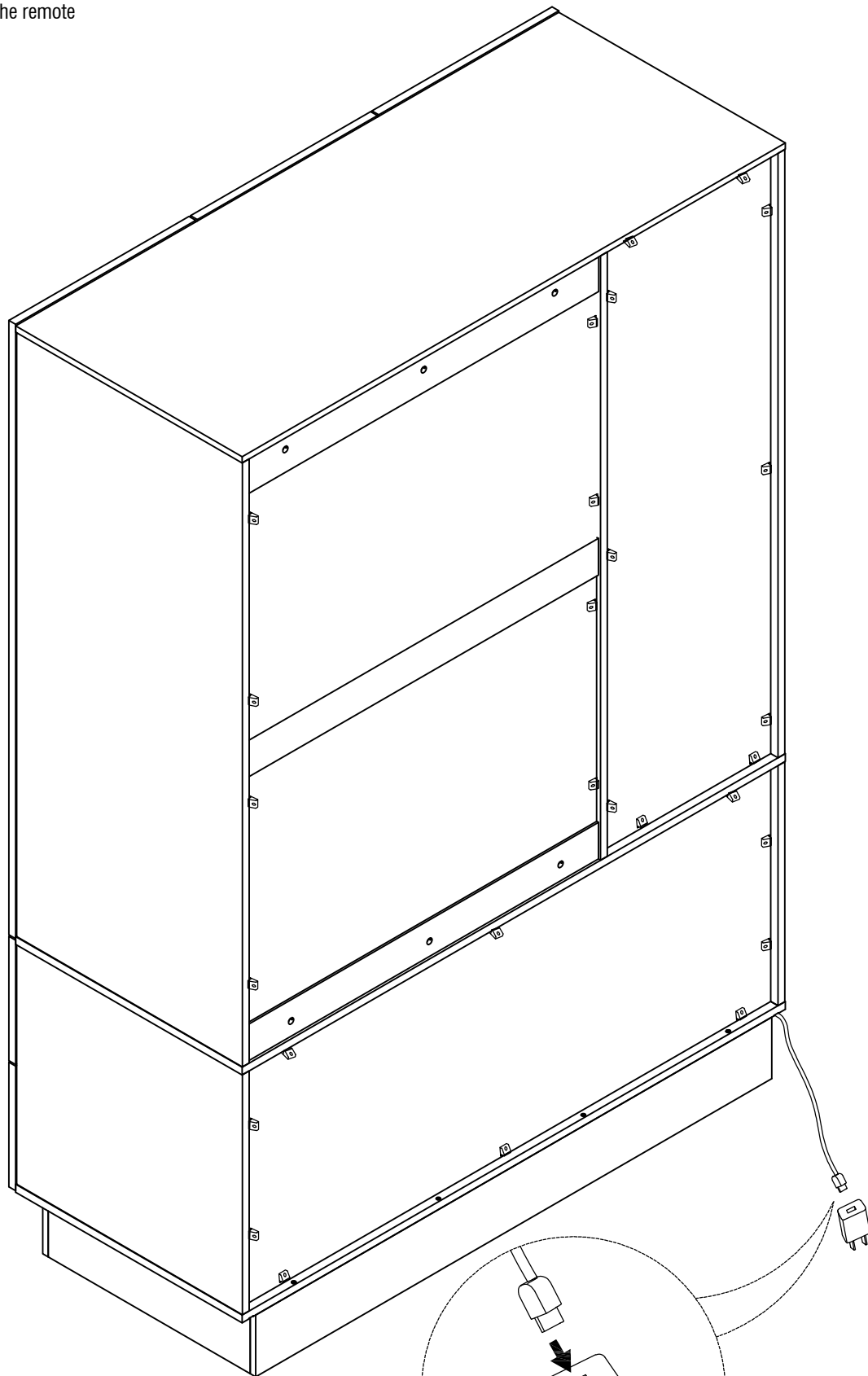
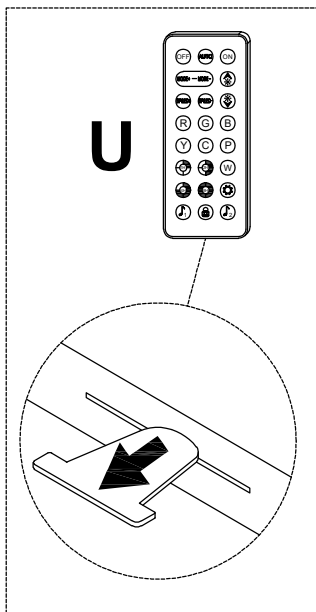
**35**

## YOU WILL NEED

U x 1

V x 1

Remove the plastic piece before using the remote  
Read the manual for the remote control

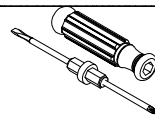


# INSTALLATION STEPS

36

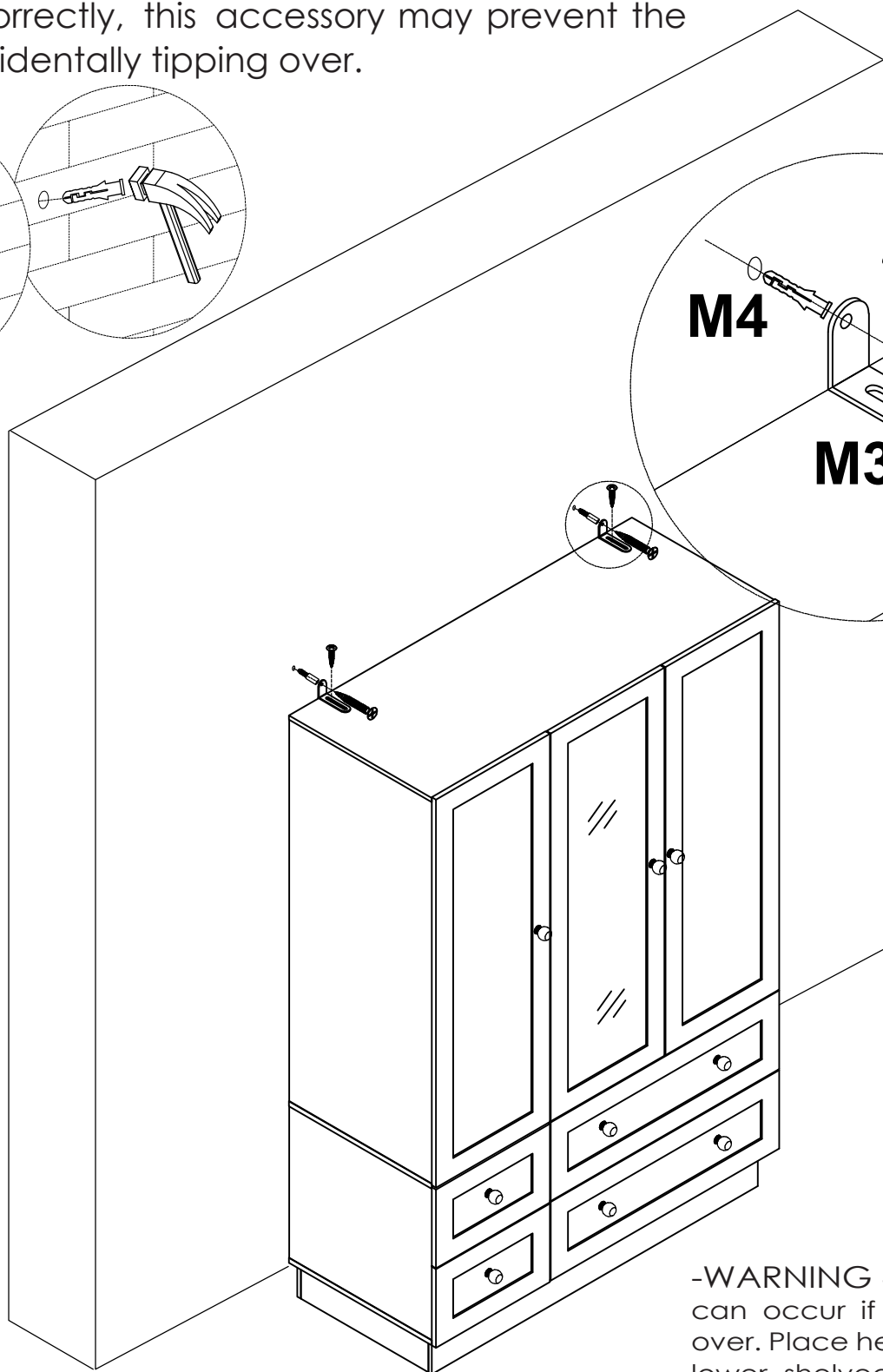
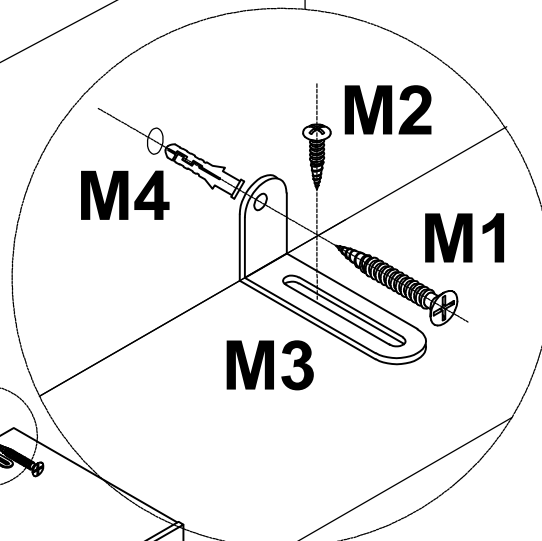
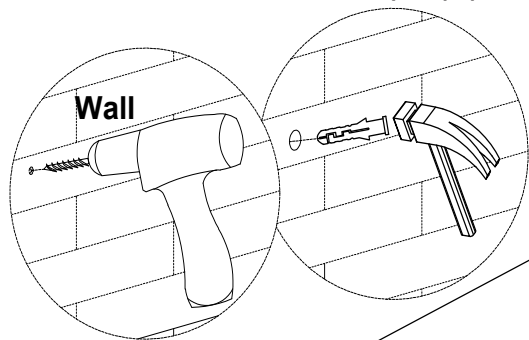
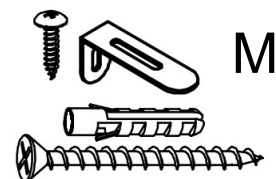
YOU WILL NEED

M x 2



## **IMPORTANT!**

For safety reasons, we recommend that you install the anti-tip accessory by following the instructions below. If installed correctly, this accessory may prevent the unit from accidentally tipping over.



-WARNING -Serious injury can occur if furniture tips over. Place heavy items on lower shelved and as far back as possible.

**▲ WARNING**



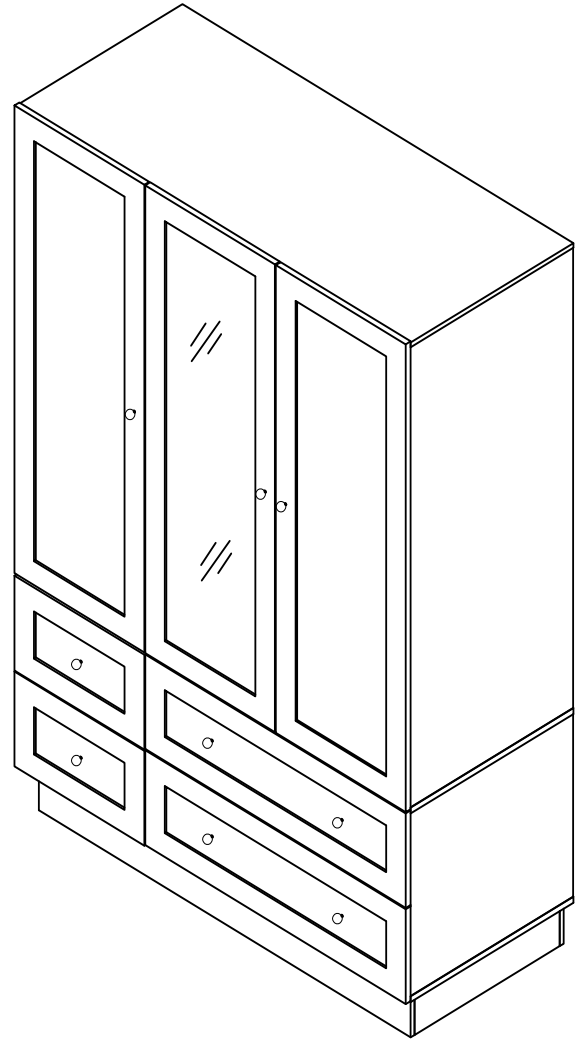
**Children have died from furniture tipover.  
To reduce the risk of furniture tipover:**

- ALWAYS install tipover restraint provided.
- NEVER put a TV on this product.
- NEVER allow children to stand, climb or hang on drawers, doors, or shelves.
- Place heaviest items in the lowest drawers.
- NEVER open more than one drawer at a time.

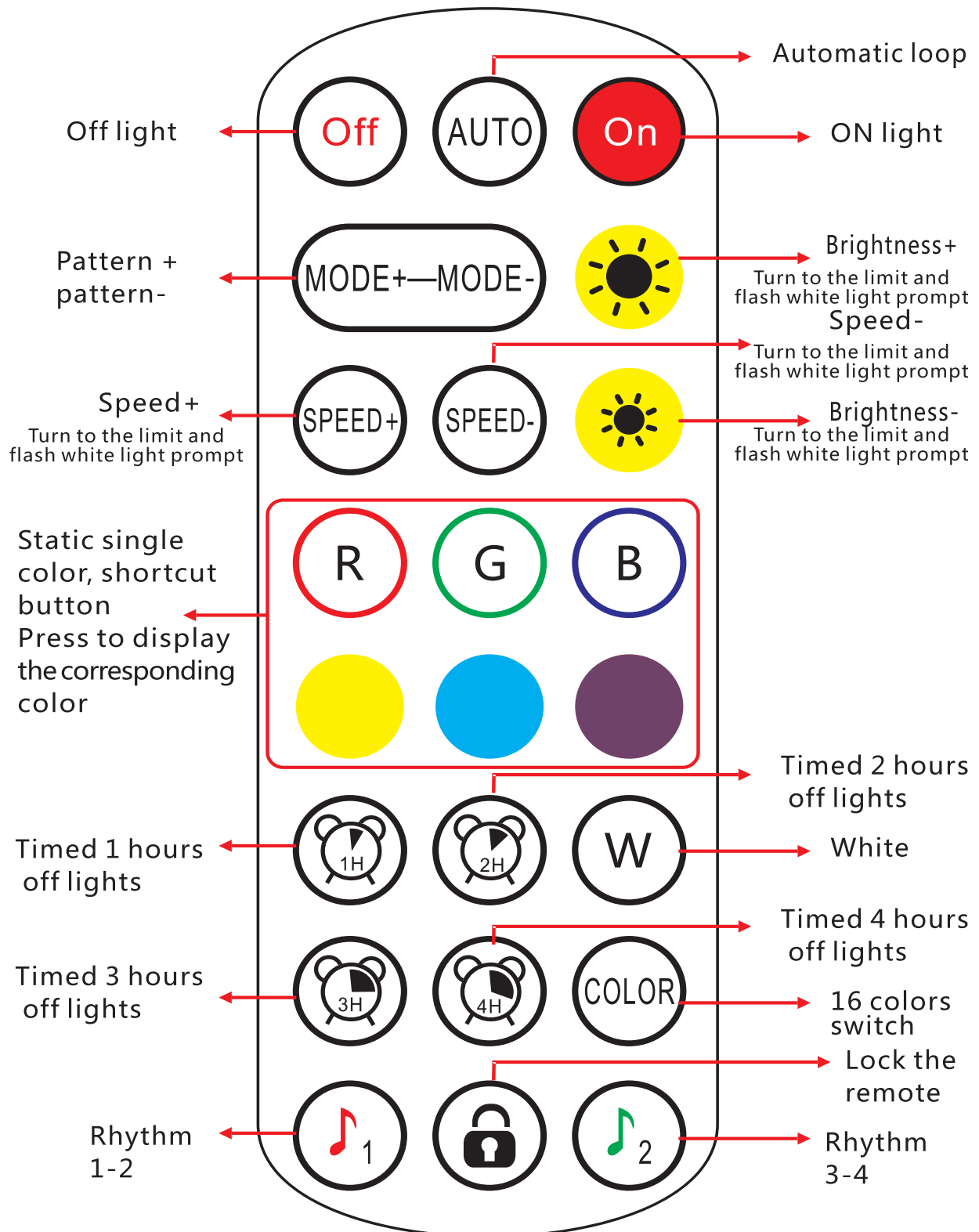
**(OR)**

- Do not defeat or remove the drawer interlock system.

*This is a permanent label.  
Do not remove!*



# LED2022-24KEY



Rhythm 1-2: Single click to switch to 1-2 rhythm mode  
 Rhythm 3-4: Click to cycle through the 3-4 rhythm mode  
 Remote control lock: After pressing, the remote control is locked, pressing the switch is available, other keys are invalid. After pressing once, the unlock button can be used. After the remote control is locked, press the switch to unlock the remote control.

# 1. Software Overview

## 1.1 Overview

This is a mobile APP to control LED strip by both IOS and Android phones.

The traditional control ways like infrared, 433MHz, 2.4GHz and others old wired ways will be replaced by mobile phone control way with convenient, powerful and scalable features.

Through this mobile APP , you can not only control the color, brightness and color temperature of the LED strips but also set up all kinds of fancy flash mode ; Also this APP can change the light of the LED strip according to the rhythm of the music. This APP can set and control several LED strips through Bluetooth and the operation is very simple, easy to learn and easy to use.

## 1.2 Features

- Adjust color LED strips with 60,000 colors to change color and brightness and adjust monochrome LED strips to change brightness and color temperature
- Play music or turn on a sound playback device, you can let the light change the color and brightness with the rhythm of music, the music rhythm beautiful
- Inside multiple setting mode for color change and control LED strips without mobile
- Long distance control with omni-directional antenna, and many-to-many group control mode
- Once the connection is successful, connect automatically next time

## 1.3 Performance

This APP is easy for use as well as great compatible with all kinds of smart phones; After the actual test of hundreds of mobile phones verification, the compatibility is above 95% of mobile phones in the market. APP is small and convenient, it consumes less system resources, so the requirements of the mobile configuration are low. Control delay is small, the operation feels good, light control is smooth with people's visual sense.

# 2. Operating Environment

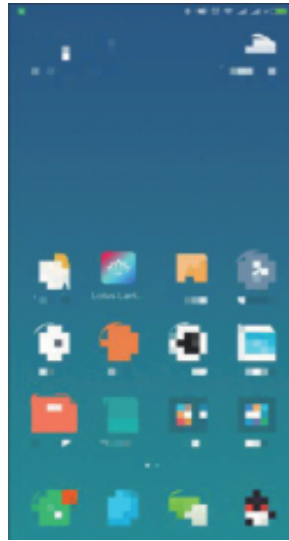
This APP program requires phones of system above Andriod 4.3 and iOS 8.0. Mobile phone configuration is not limited.

# 3. Instructions

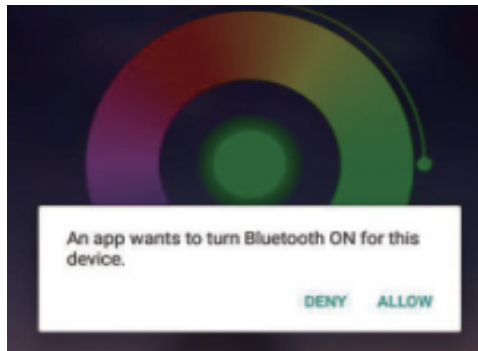
Note: Android version and iOS version download and use the same method, here in the Android version as an example.

### 3.2 App Operation

(1) Click on the APP icon, enter the APP page:



(2) After entering the APP interface, if Bluetooth is not enabled, "an application wants to enable the Bluetooth function of this device." Click [Allow]



(3) switch to color and brightness interface:

Click to show the lamp list

Switch the color wheel

Display the RGB value  
Click to manual adjustment view

Click to display setting view

Lamp switch button

Adjust the color

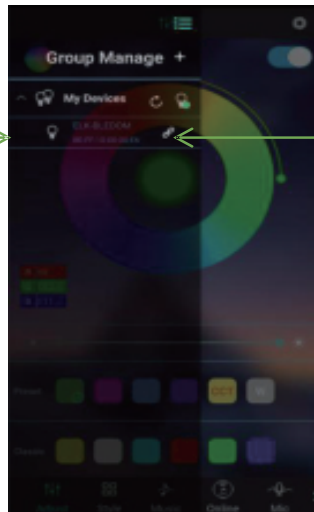
Click square icon to adjust the color

Click to shift the interface

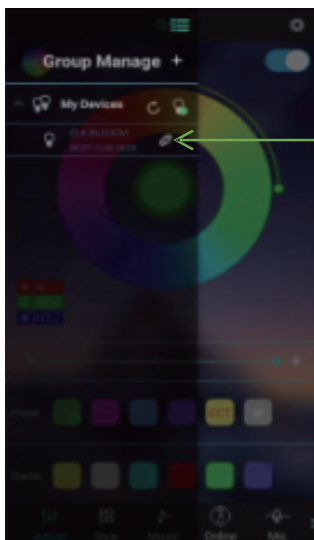
( 4 ) click to show the lamp list, view lamp list:

Bluetooth auto connect  
after search for devices

Lamp list

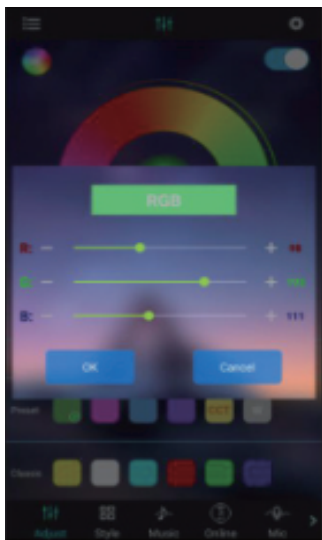


Status of device connection



Status of device connection

( 5 ) Click to RGB manual adjustment view:

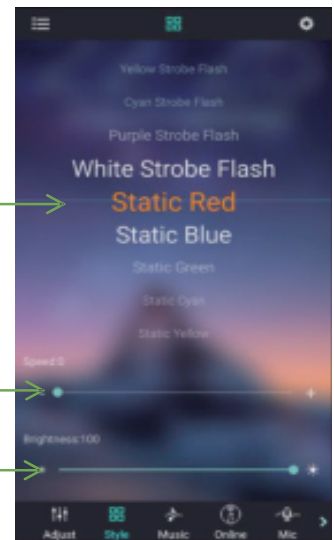


( 6 ) switch to the mode interface:

Scroll the selection mode

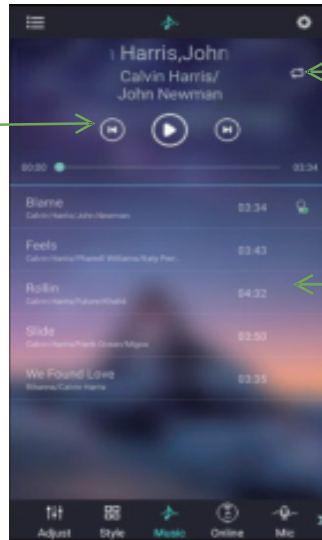
Adjust speed

Adjust brightness



( 7 ) switch to the music rhythm interface:

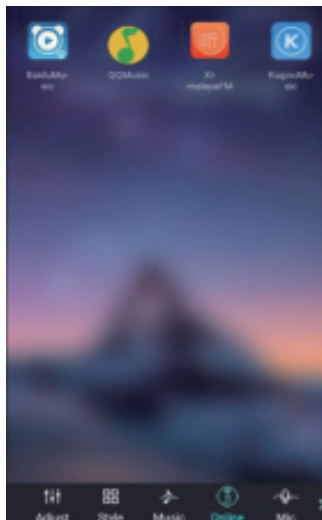
Previous song, Pause/Play,  
Next song



Plav mode

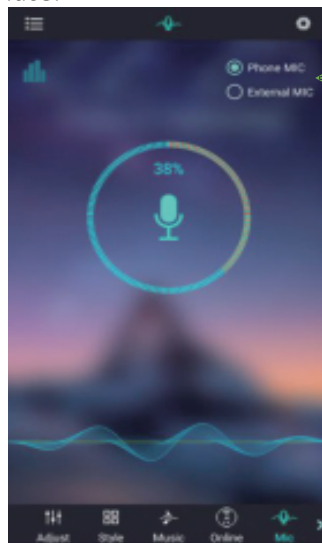
Music List

( 8 ) Switch to the online music interface:



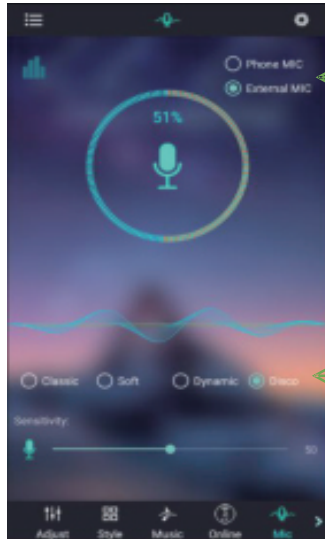
( 9 ) Switch to the microphone rhythm interface:

Music rhythm through cell  
phone microphone



Switch phone microphone  
and external microphone

Music rhythm through the microphone on the product



Switch phone microphone and external microphone

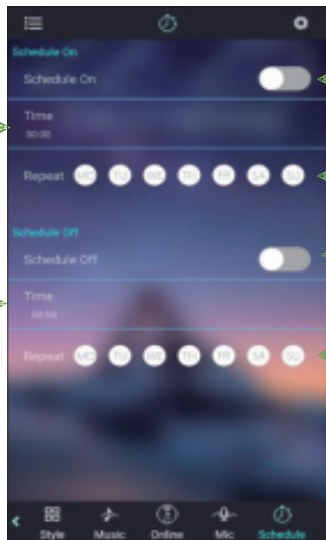
4-style rhythm

Change the sensitivity of MIC to match the sound

( 10 ) Switch to the schedule interface:

Set the time of Light-On

Set the time of Light-Off



Enable or disable the Light-On function

Repeat setting  
No selection for once Light-On

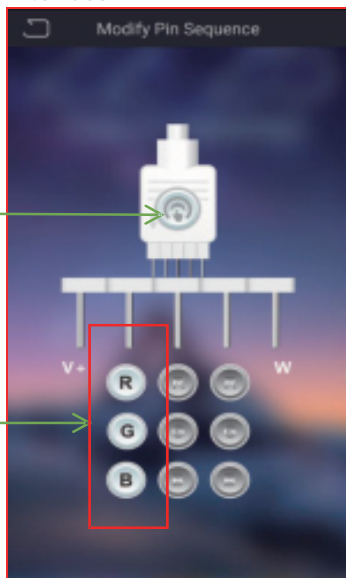
Enable or disable the Light-Off function

Repeat setting  
No selection for once Light-Off

( 11 ) Switch to the modify pin sequence interface:

Click to save the new assignment

Change the real color of this line



## **WARNING**

- **INGESTION HAZARD:** This product contains a button cell or coin battery.
- **DEATH** or serious injury can occur if ingested.
- A swallowed button cell or coin battery can cause **Internal Chemical Burns** in as little as **2 hours**.
- **KEEP** new and used batteries **OUT OF REACH** of **CHILDREN**.
- **Seek immediate medical attention** if a battery is suspected to be swallowed or inserted inside any part of the body.

