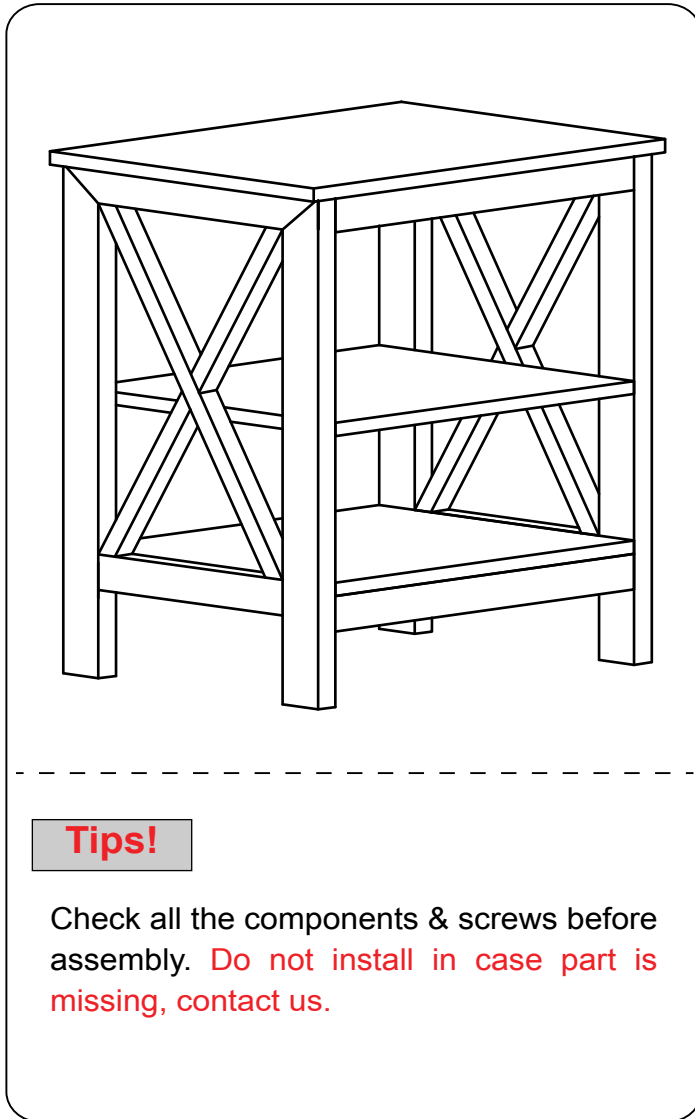
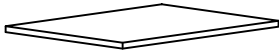
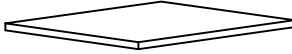


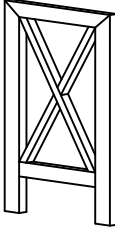



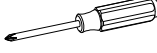


Instruction Manual

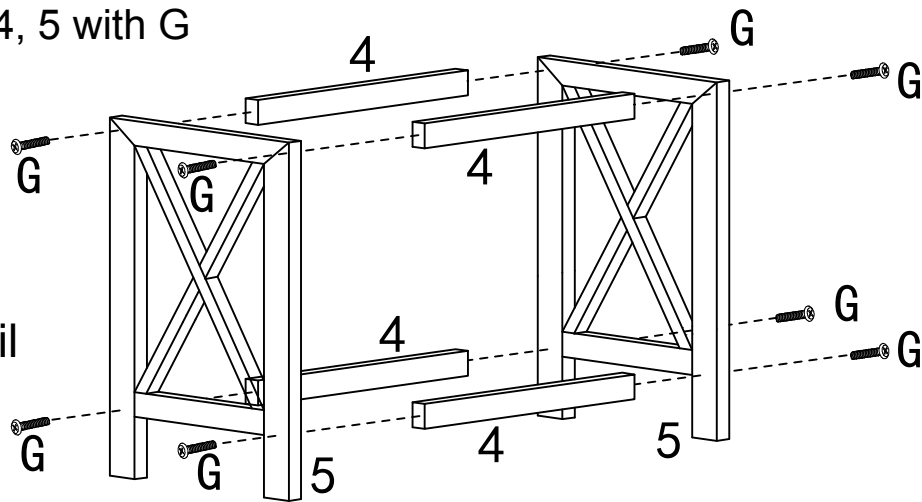


①		1
②		1
③		1
④		4
⑤		2
Ⓑ	 M5x50mm	4
Ⓒ	 M6x35mm	8
Ⓓ	 M6x50mm	8
Ⓙ		1

1 Assemble part 4, 5 with G

Tips:

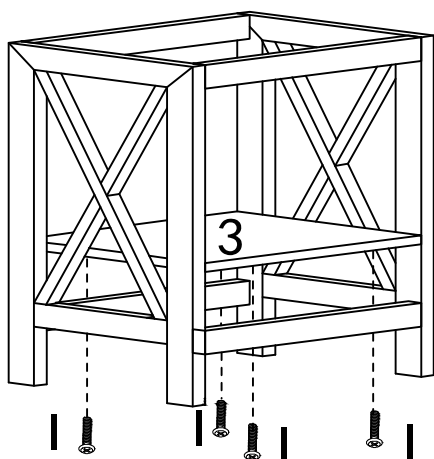
To easily install,
do not tighten all
the screws up until
the last step.



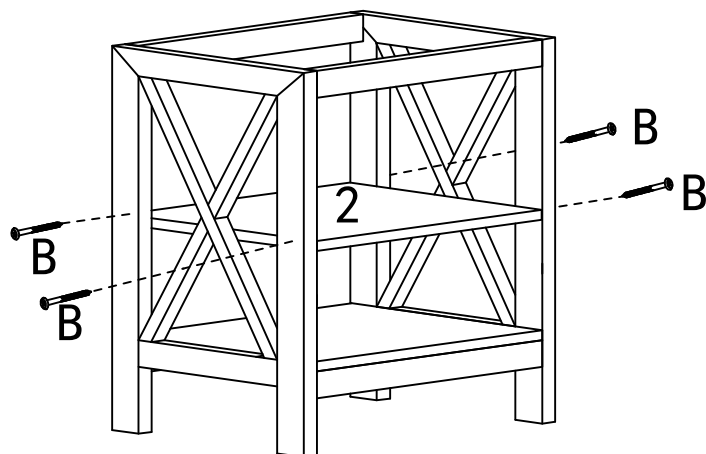
2 Assemble part 3 with I

Tips:

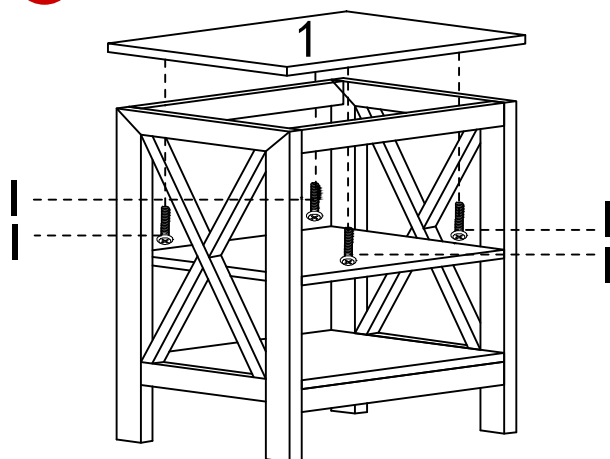
Part 3 is
bottom board



3 Assemble part 2 with B



4 Assemble part 1 with I



5 Check and tighten all screws

