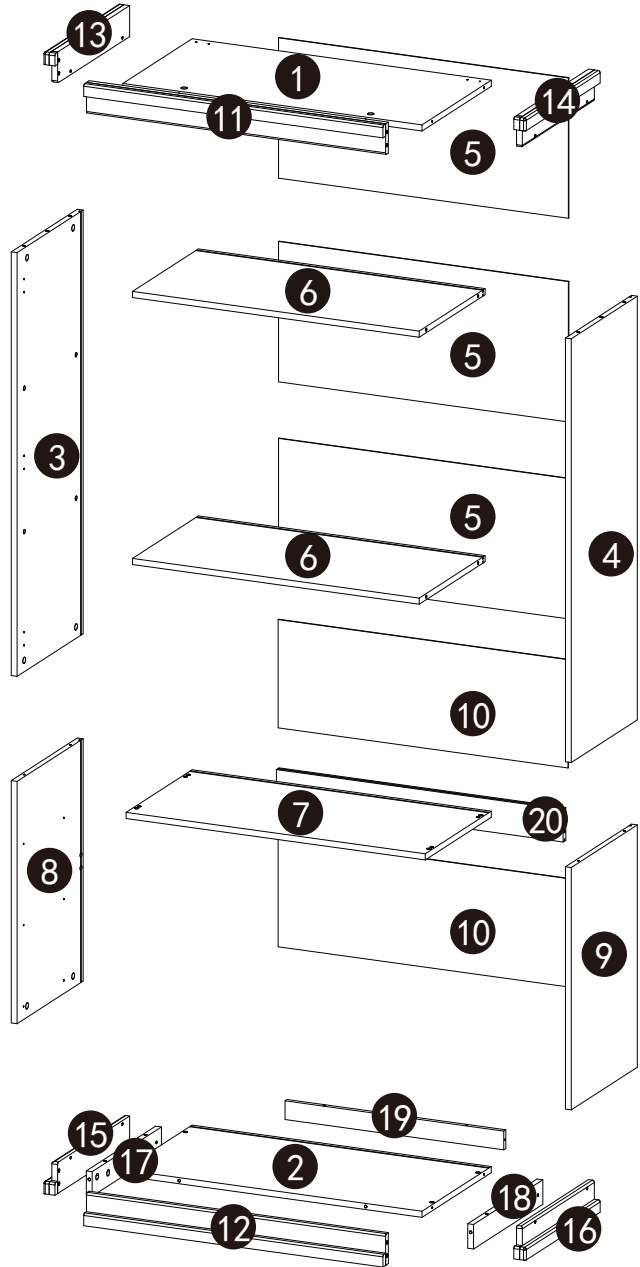
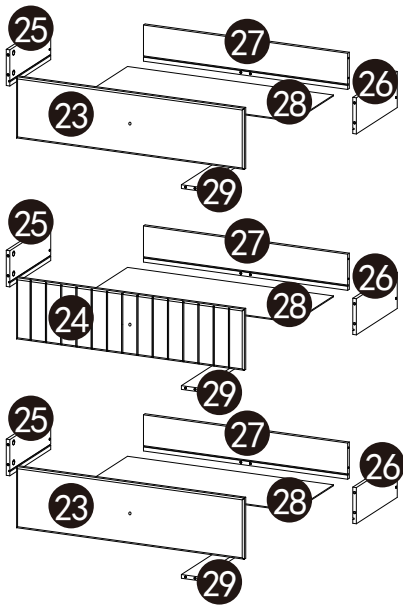
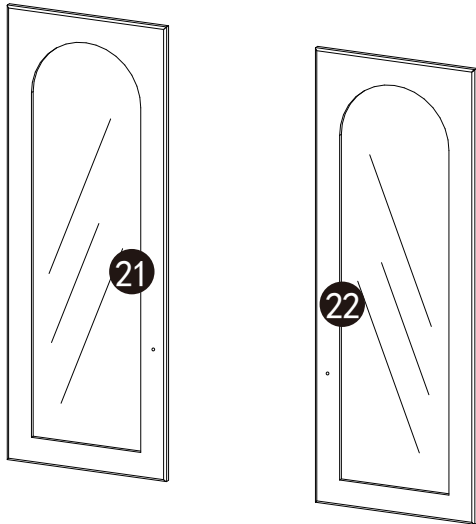


Assembly Instruction

Decorate your home, Brighten wonderful life

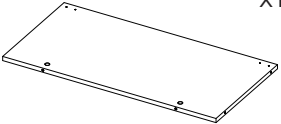
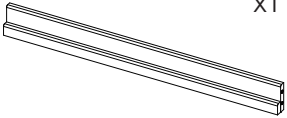
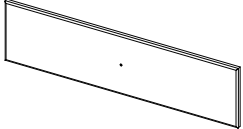
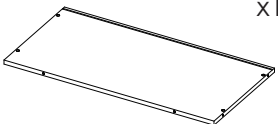
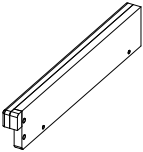
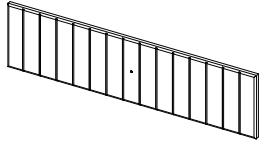
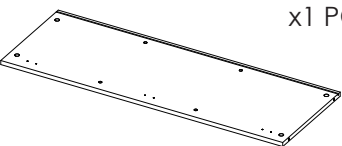
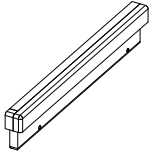
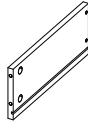
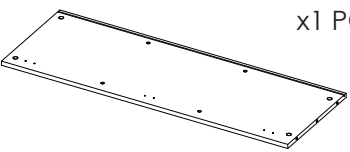
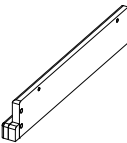
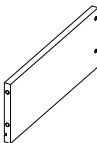
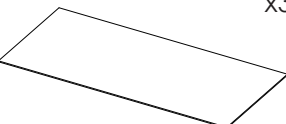
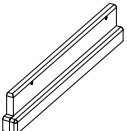
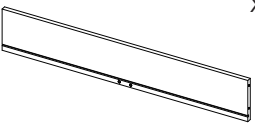
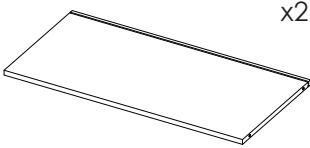
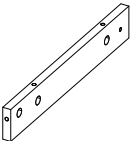
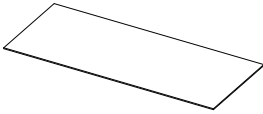
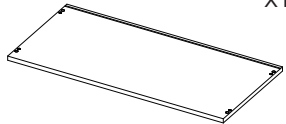
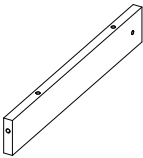
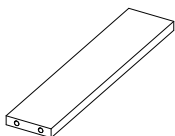
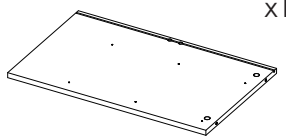
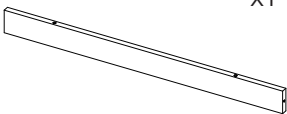
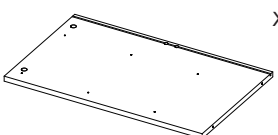
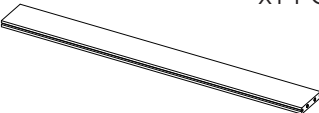
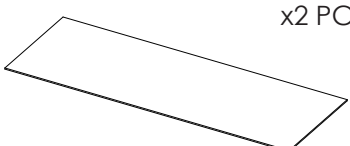
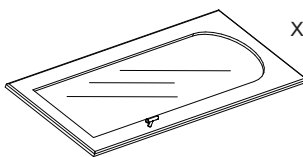
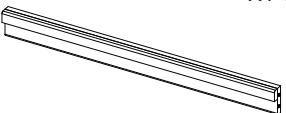
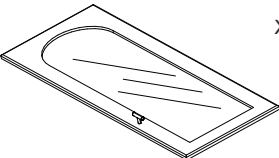


Plate number





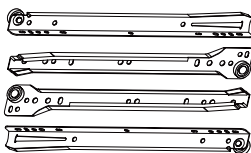
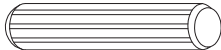


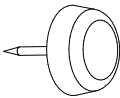
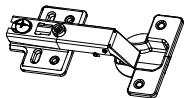



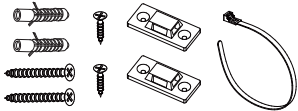

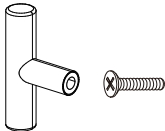
PARTS LIST

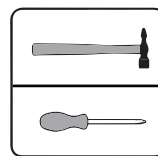
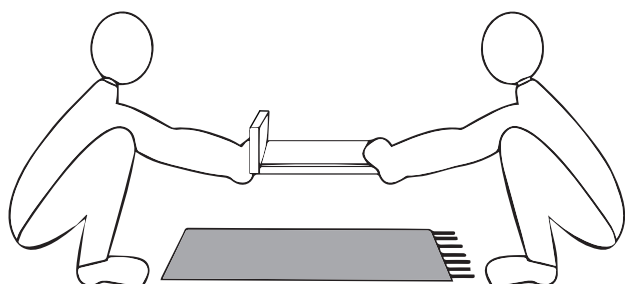
Unit: (mm)

1	 x1 PC	12	 x1 PC	23	 x2 PC
2	 x1 PC	13	 x1 PC	24	 x1 PC
3	 x1 PC	14	 x1 PC	25	 x3 PC
4	 x1 PC	15	 x1 PC	26	 x3 PC
5	 x3 PC	16	 x1 PC	27	 x3 PC
6	 x2 PC	17	 x1 PC	28	 x3 PC
7	 x1 PC	18	 x1 PC	29	 x3 PC
8	 x1 PC	19	 x1 PC		
9	 x1 PC	20	 x1 PC		
10	 x2 PC	21	 x1 PC		
11	 x1 PC	22	 x1 PC		

ACCESSORIES LIST

Unit: (mm)

<p>A 6x35</p>  <p>x48 PC</p>	<p>B 15x10</p>  <p>x48 PC</p>	<p>C 12 inches</p>  <p>x3 PC</p>
<p>D 8x40</p>  <p>x10 PC</p>	<p>E M3.5x14</p>  <p>x48 PC</p>	<p>F M5x40/#3</p>  <p>x26 PC/x1 PC</p>
<p>G</p>  <p>x12 PC</p>	<p>H Hinge</p>  <p>x6 PC</p>	<p>J 6x40</p>  <p>x12 PC</p>
<p>K M3x12</p>  <p>x12 PC</p>	<p>L 21mm</p>  <p>x32 PC</p>	<p>M</p>  <p>x2 PC</p>
<p>N</p>  <p>x30 PC</p>	<p>O</p>  <p>x5 PC</p>	



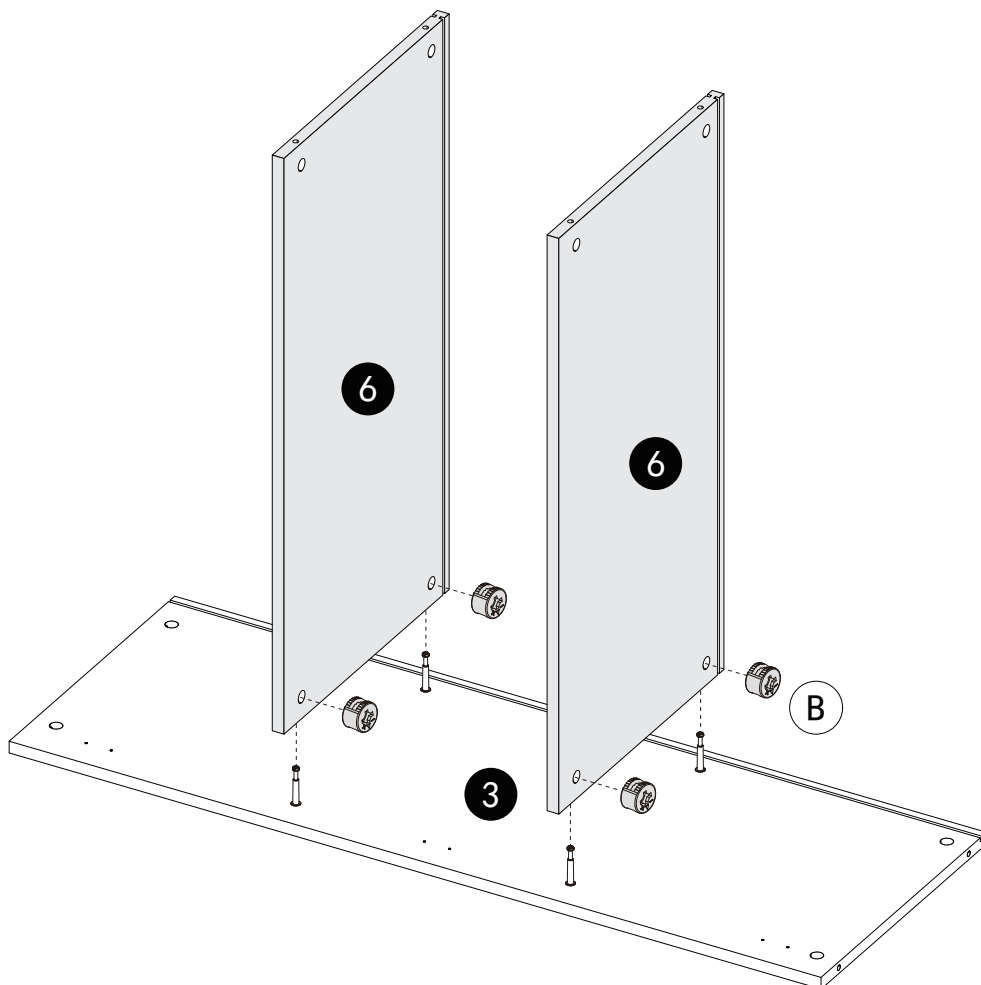
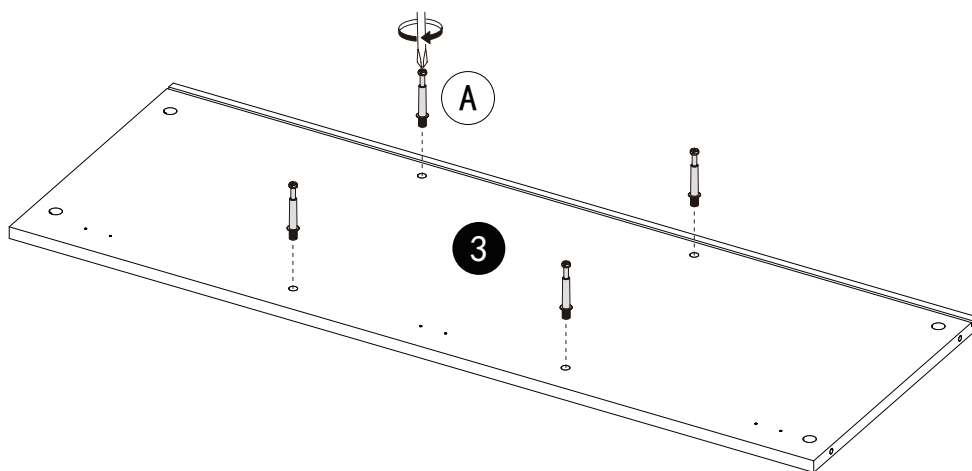
INSTALLATION INSTRUCTION

STEP 1

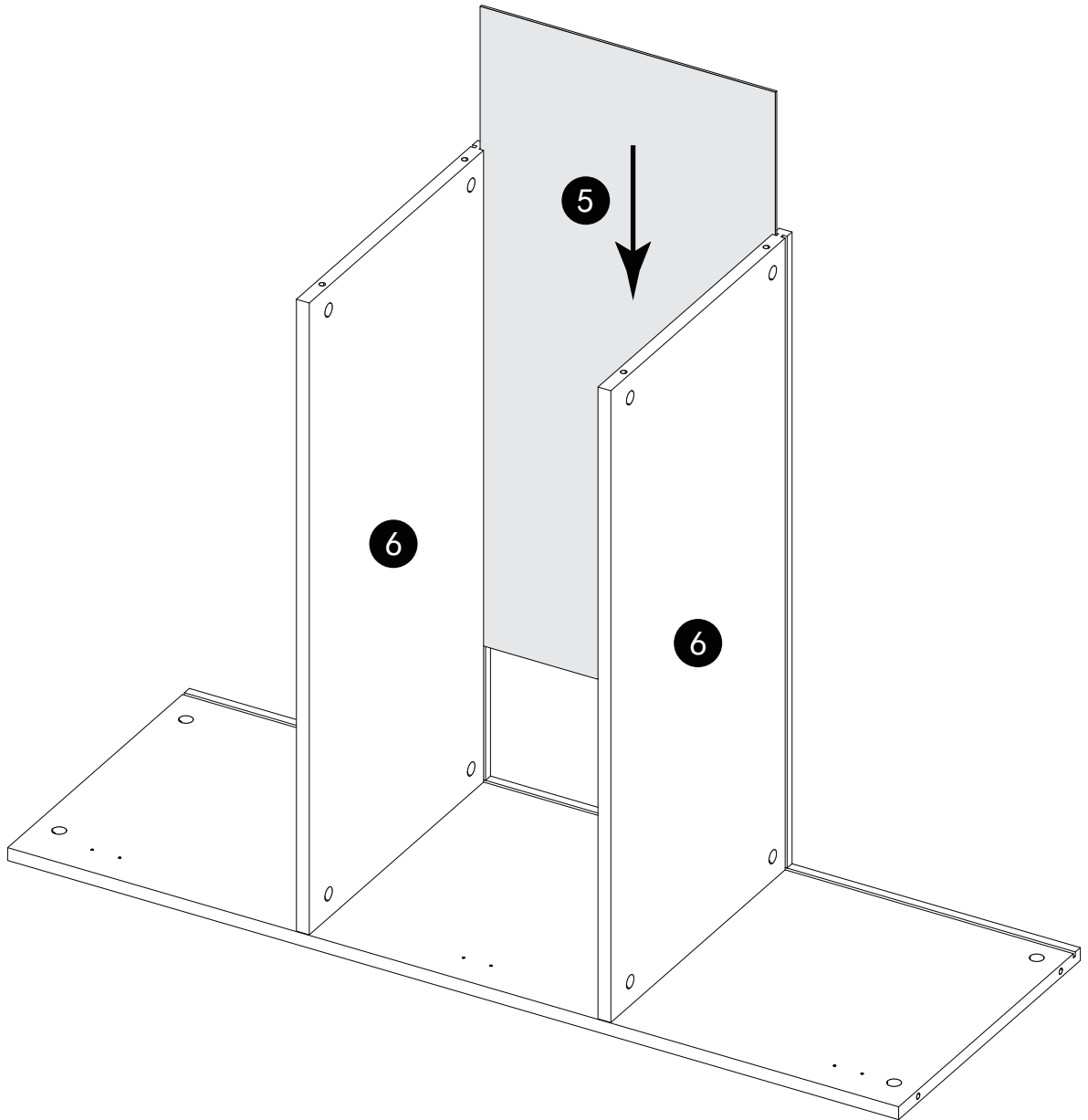
YOU WILL NEED

A x4

B x4



STEP 2

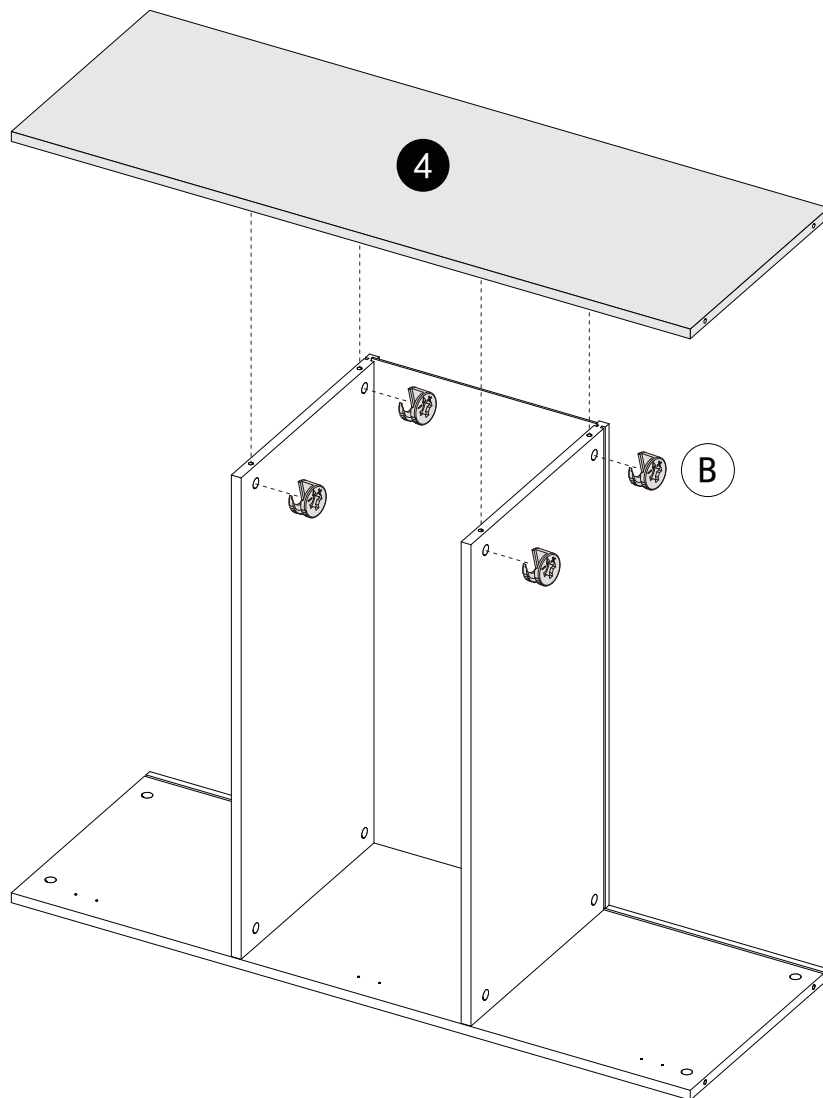
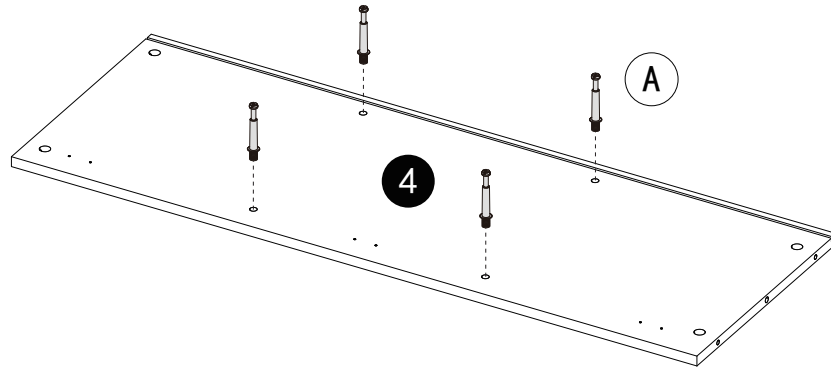


STEP 3

YOU WILL NEED

A x4

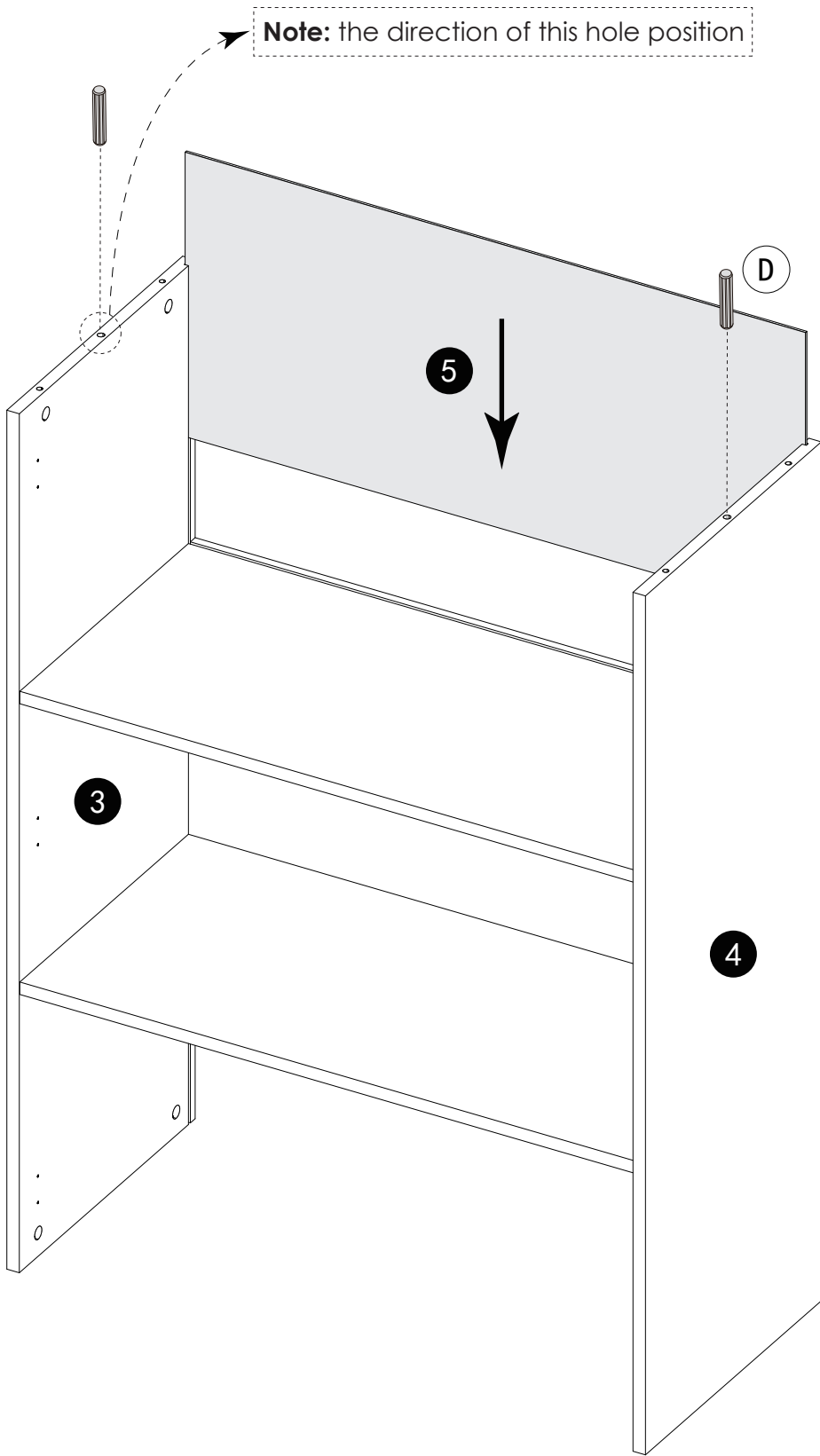
B x4



STEP 4

YOU WILL NEED

D x2



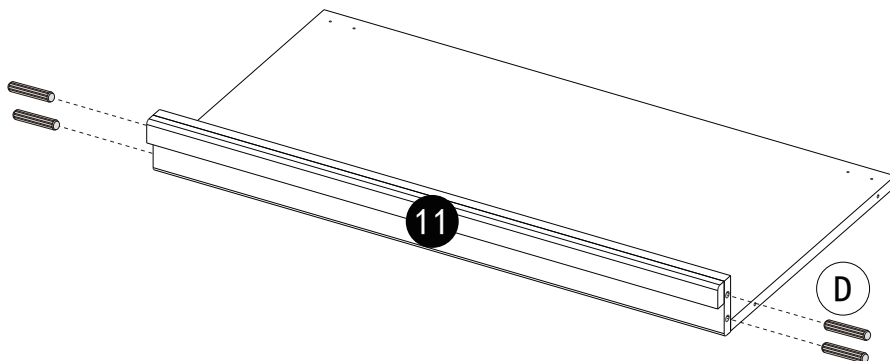
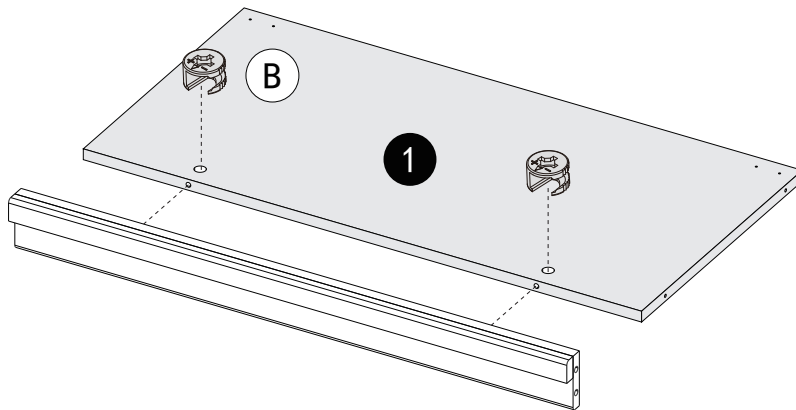
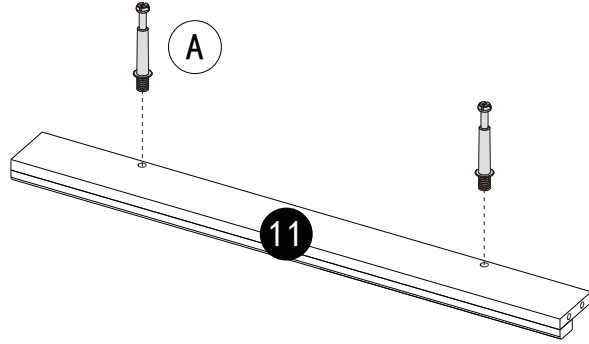
STEP 5

YOU WILL NEED

A x2

B x2

D x4

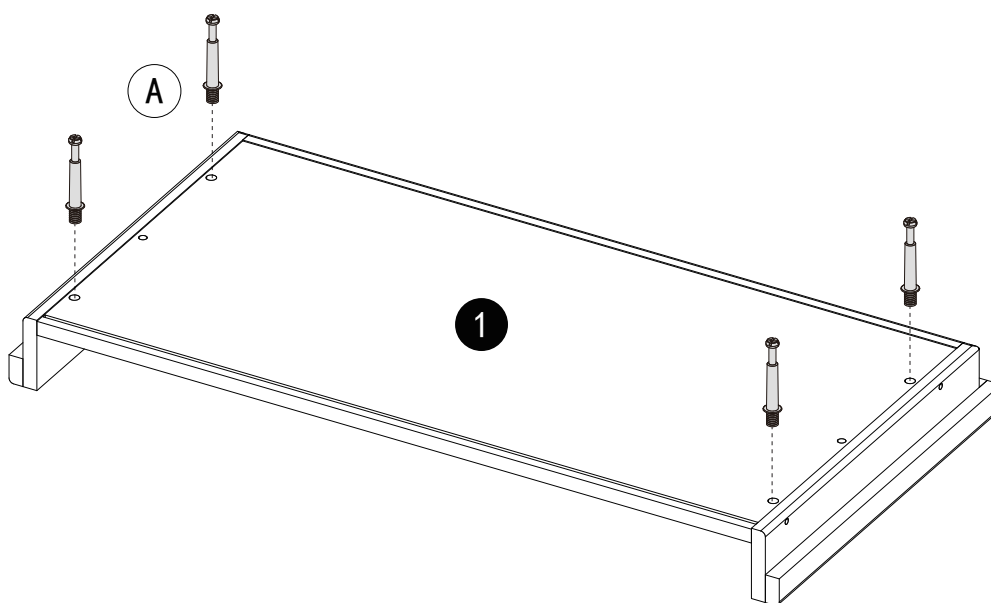
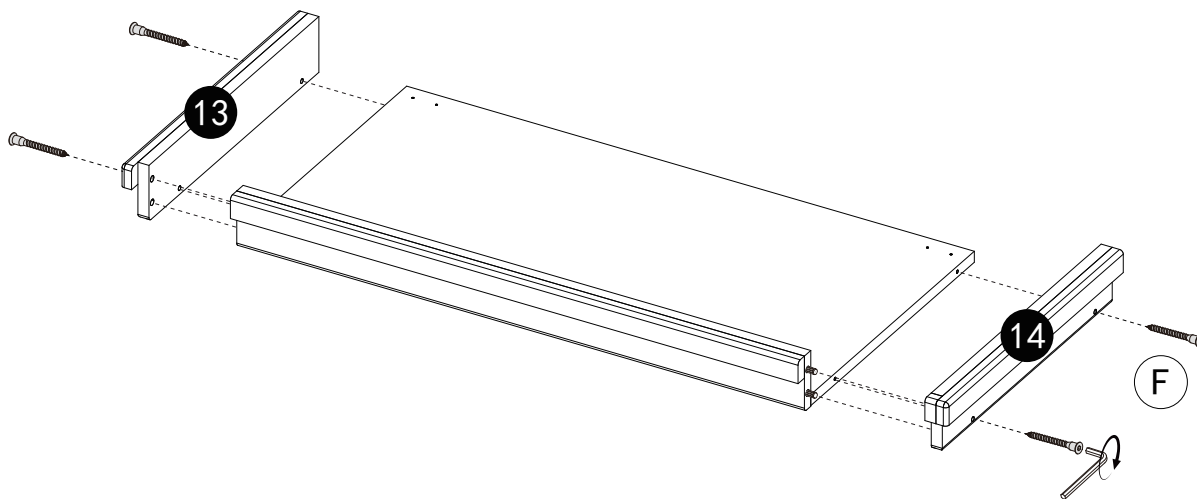


STEP 6

YOU WILL NEED

A x4

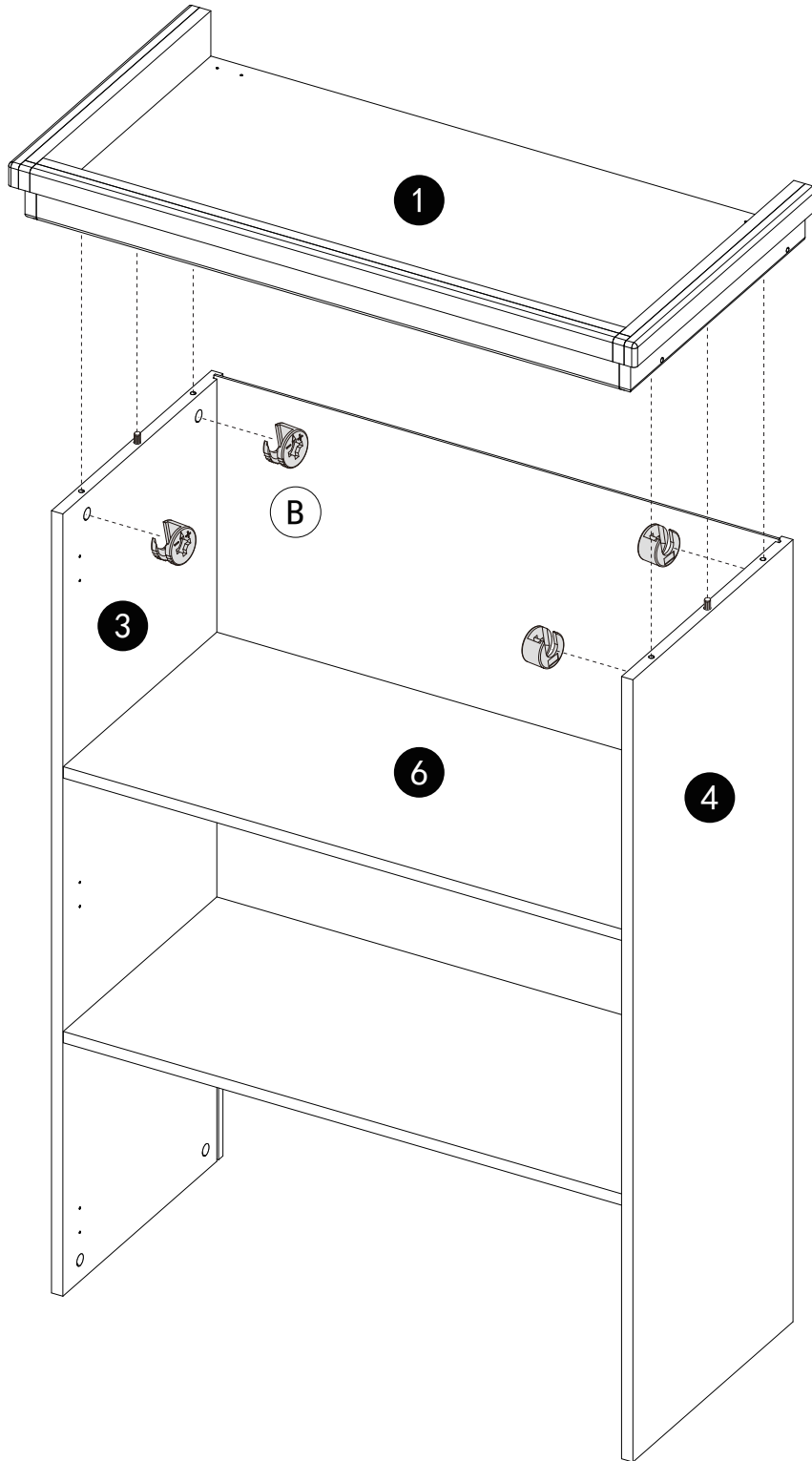
F x4



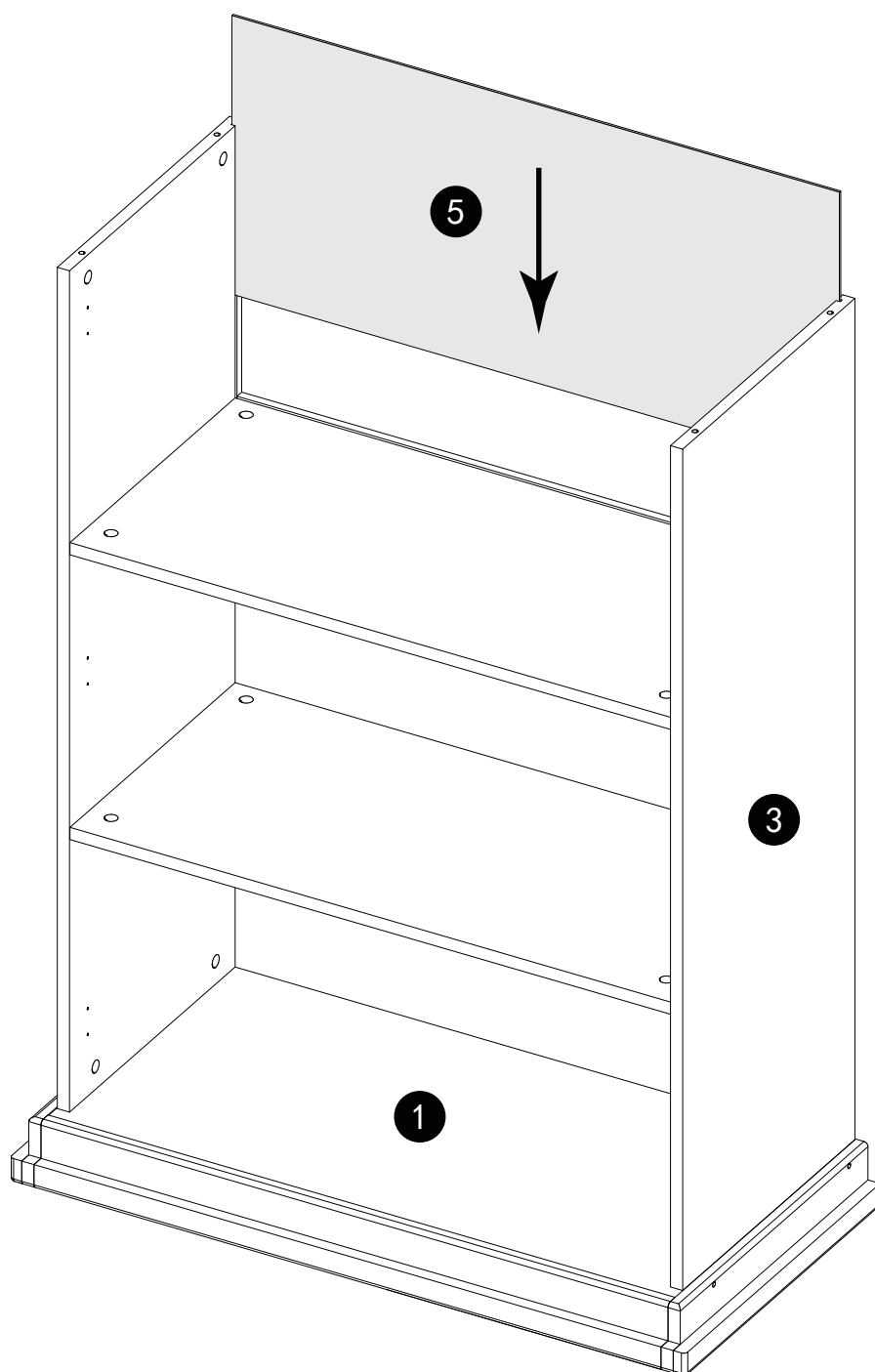
STEP 7

YOU WILL NEED

B x4



STEP 8

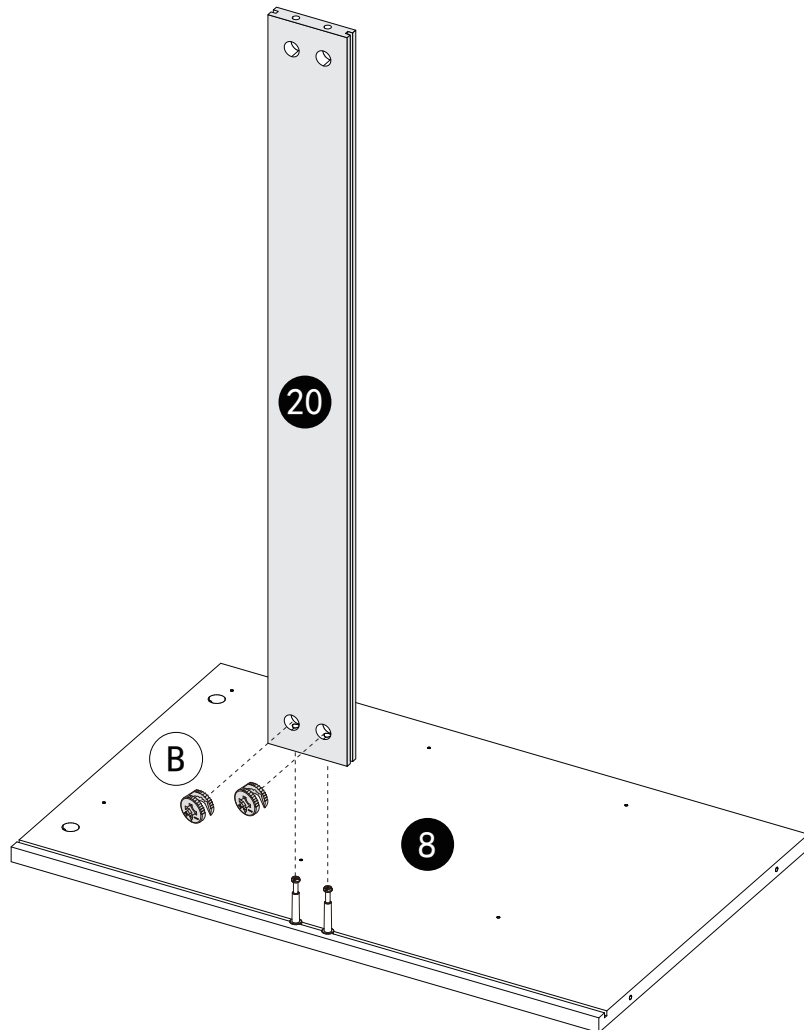
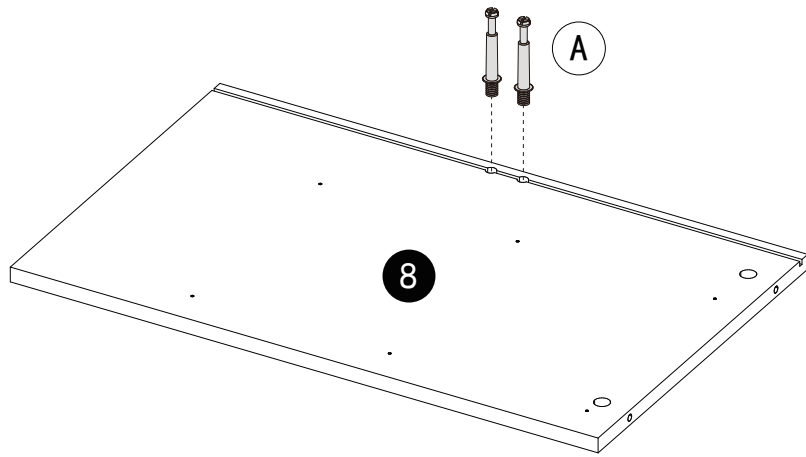


STEP 9

YOU WILL NEED

A x2

B x2

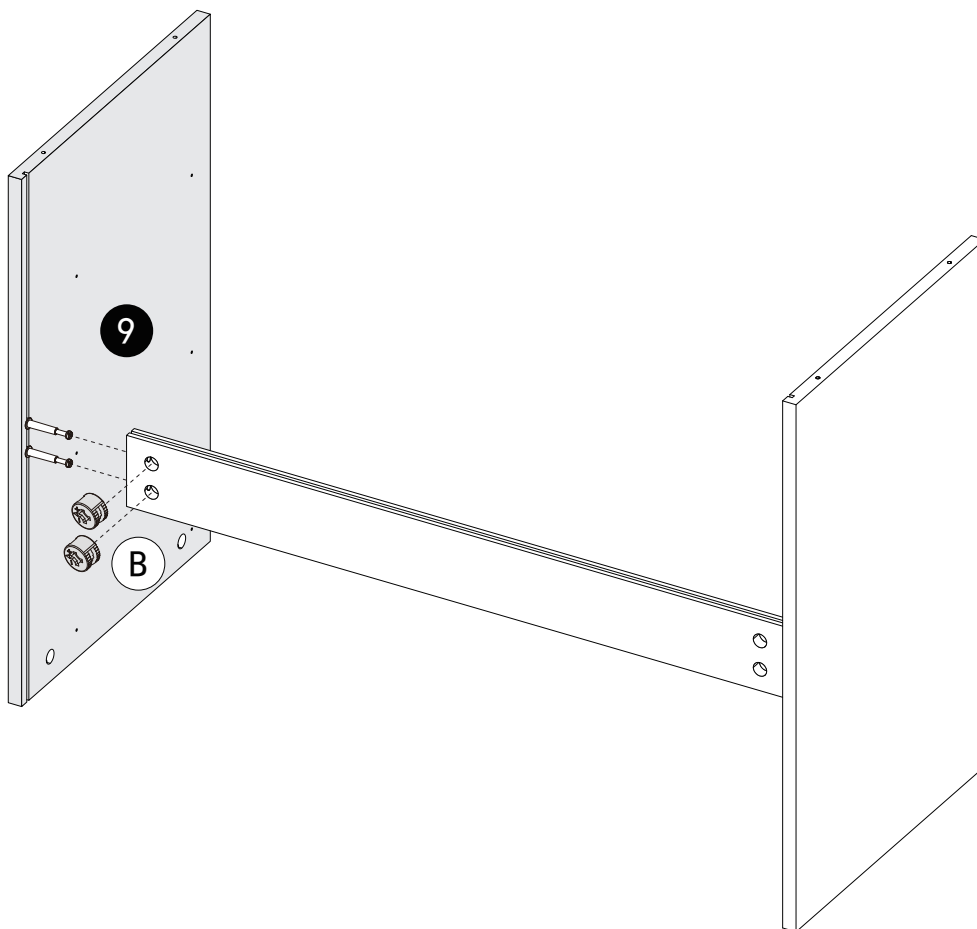
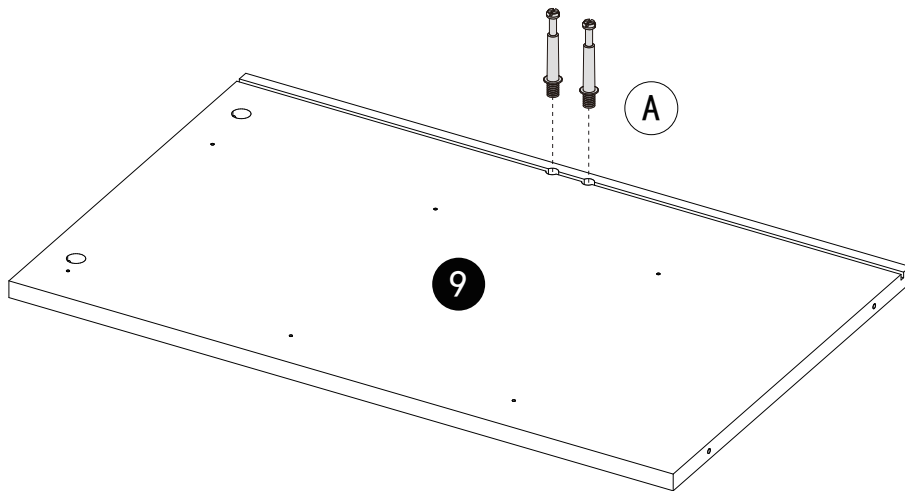


STEP 10

YOU WILL NEED

A x2

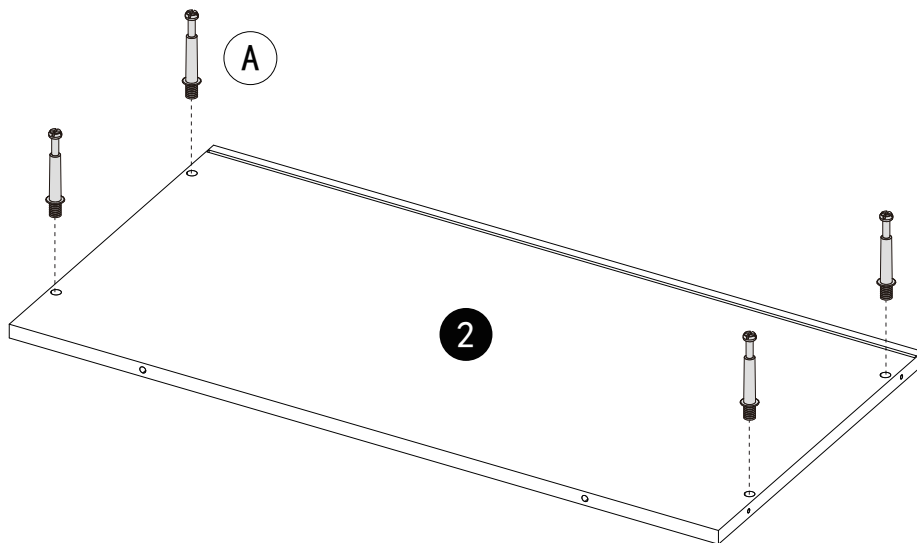
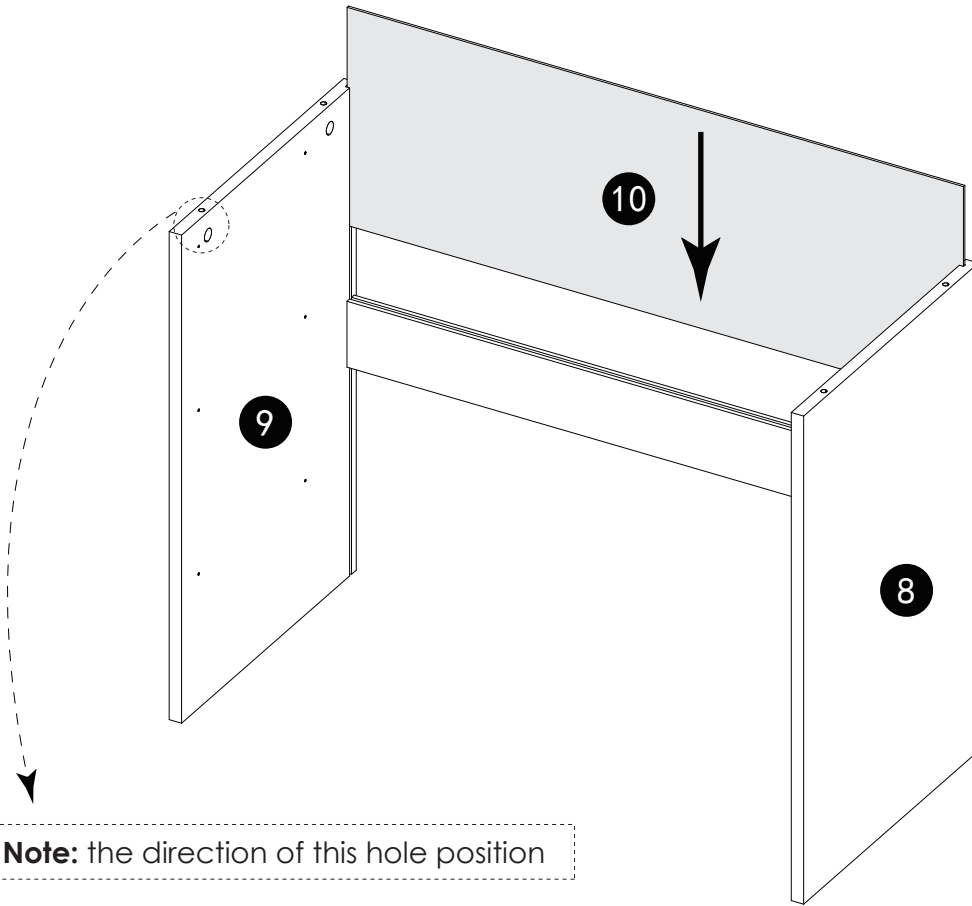
B x2



STEP 11

YOU WILL NEED

A x4

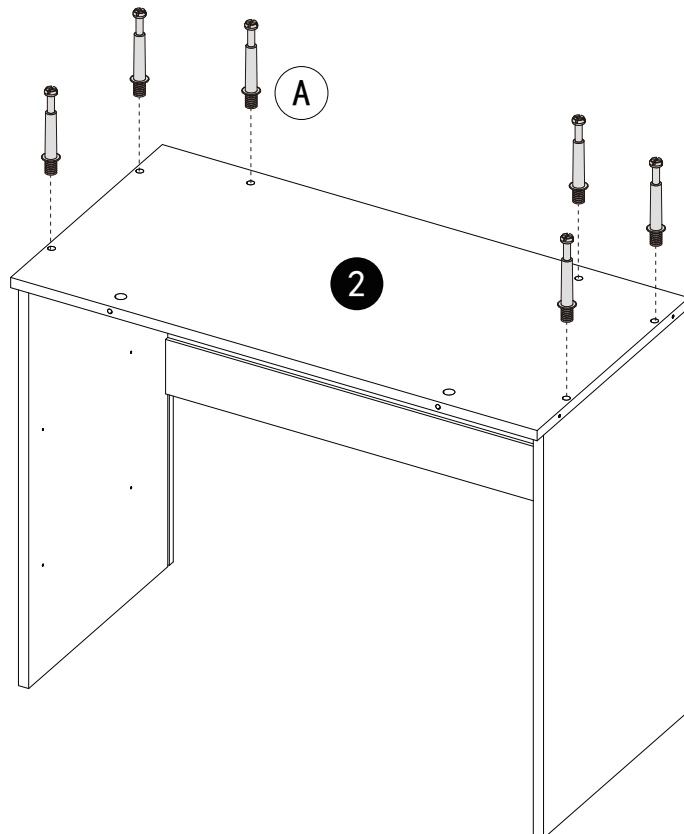
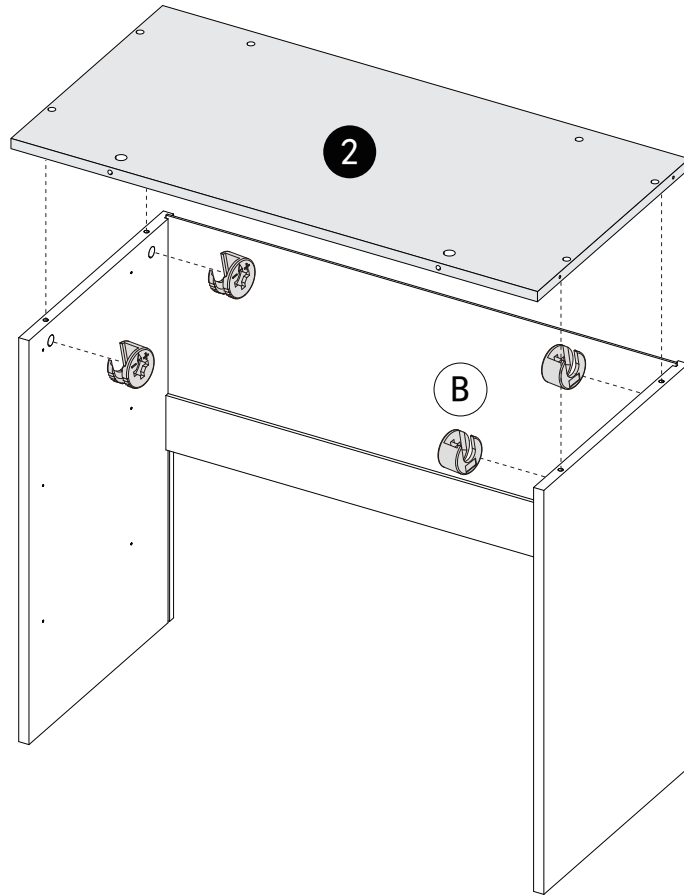


STEP 12

YOU WILL NEED

A x6

B x4

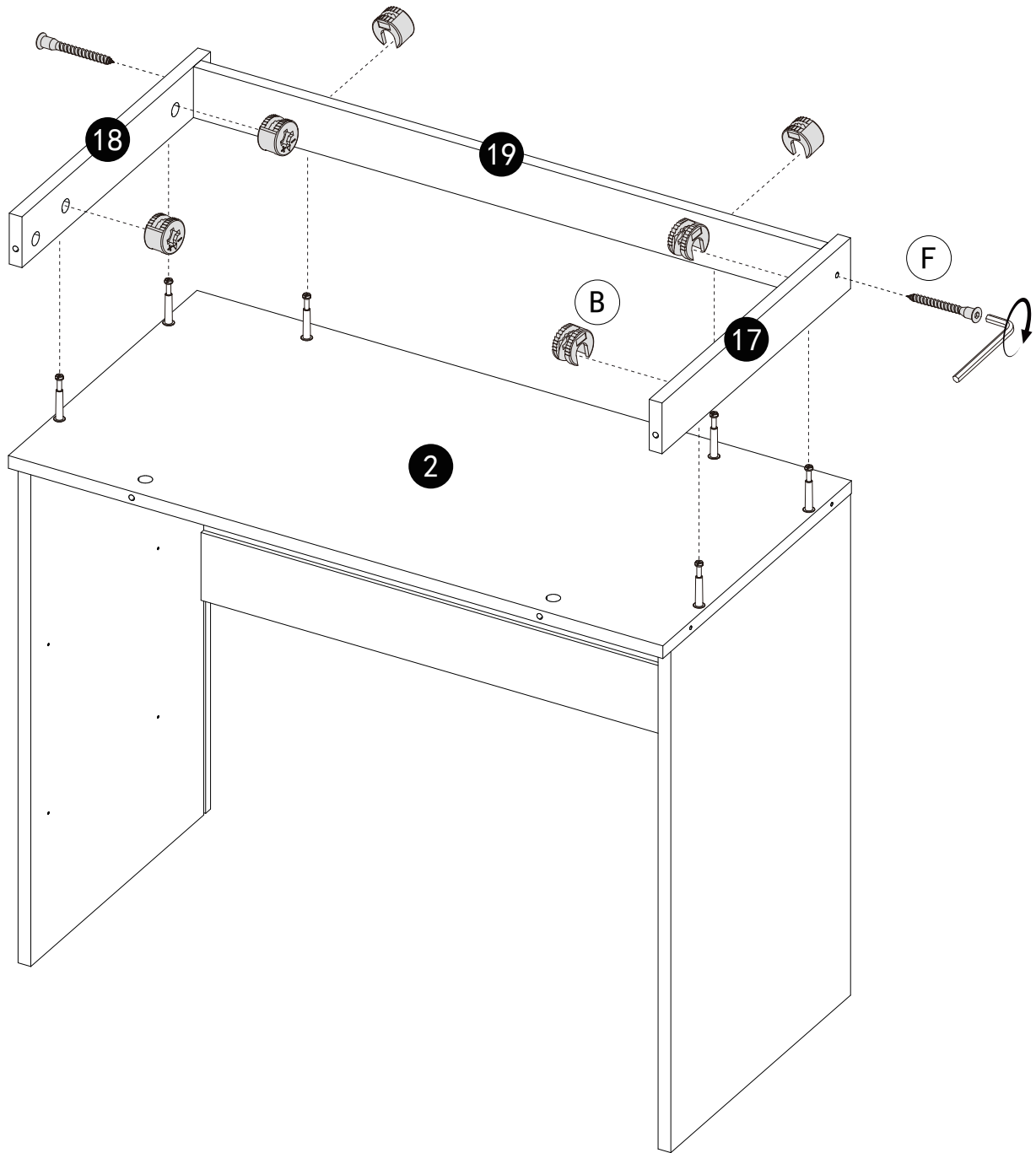


STEP 13

YOU WILL NEED

B x6

F x2



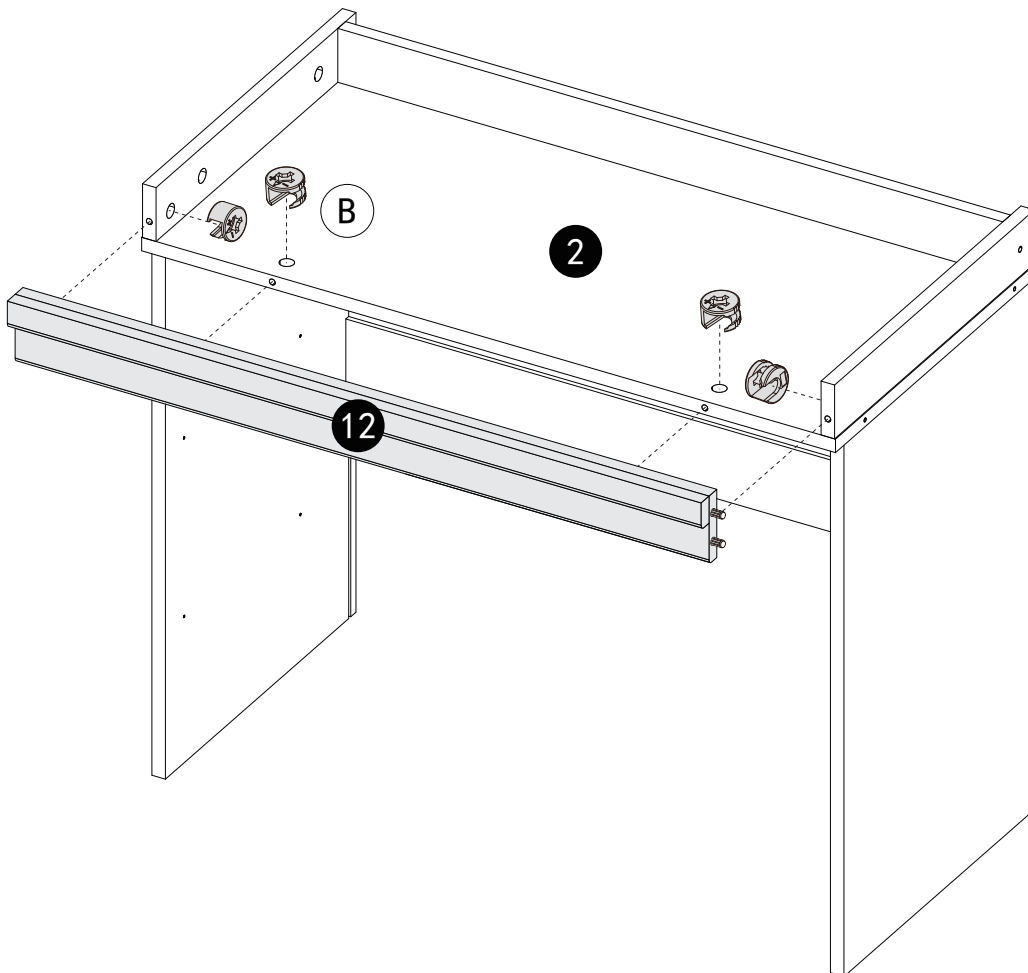
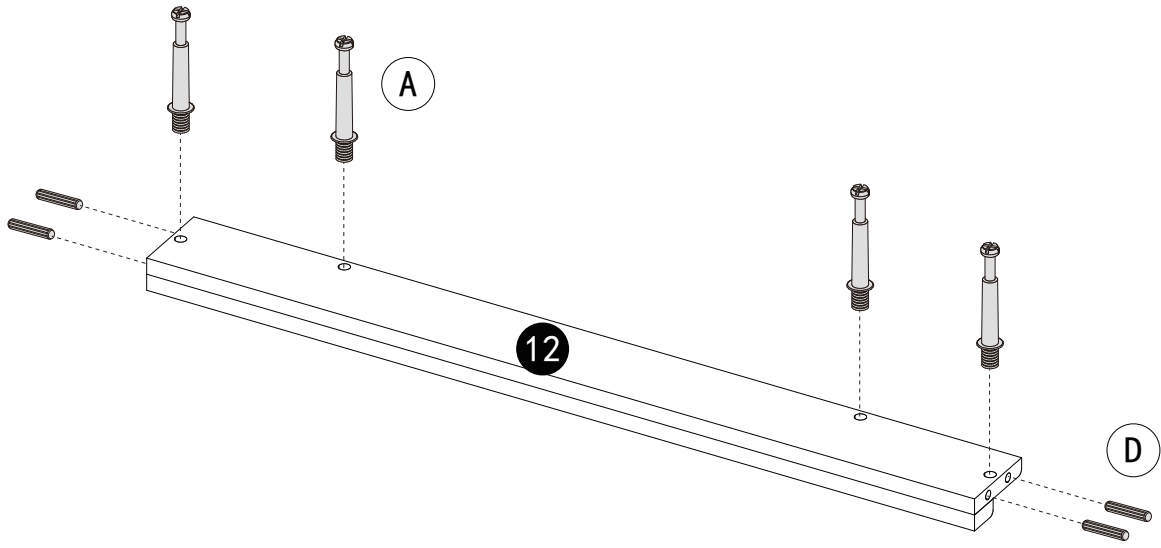
STEP 14

YOU WILL NEED

A x4

B x4

D x4

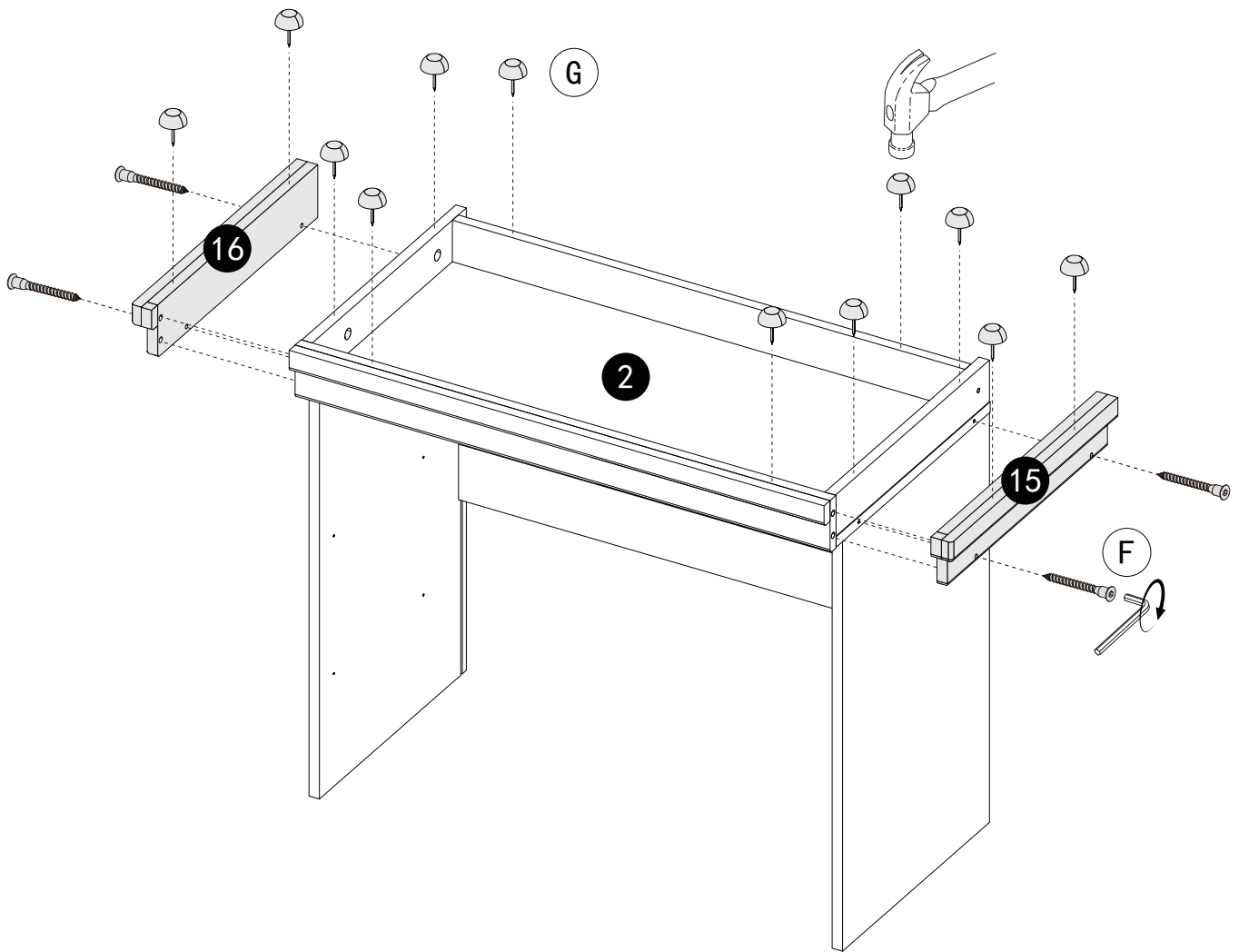


STEP 15

YOU WILL NEED

F x4

G x12



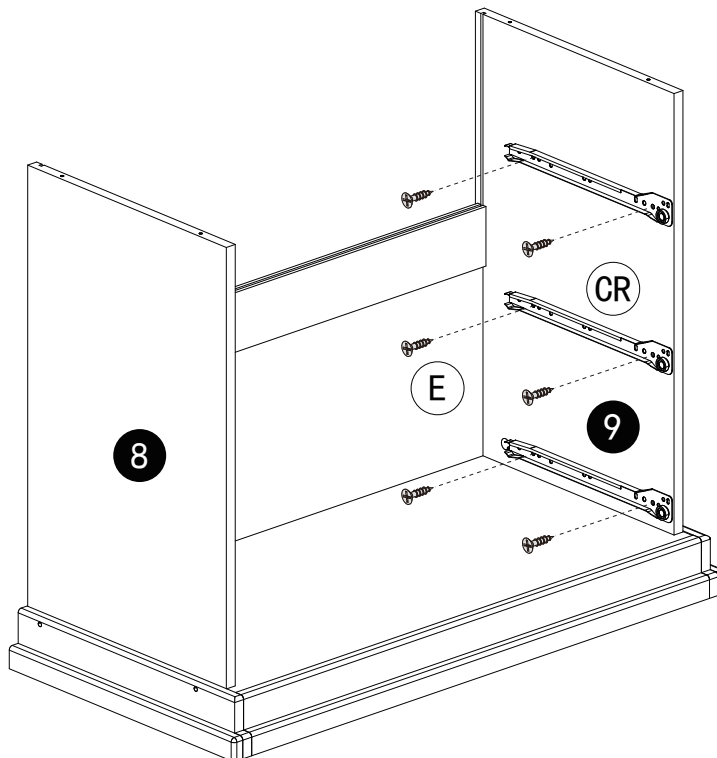
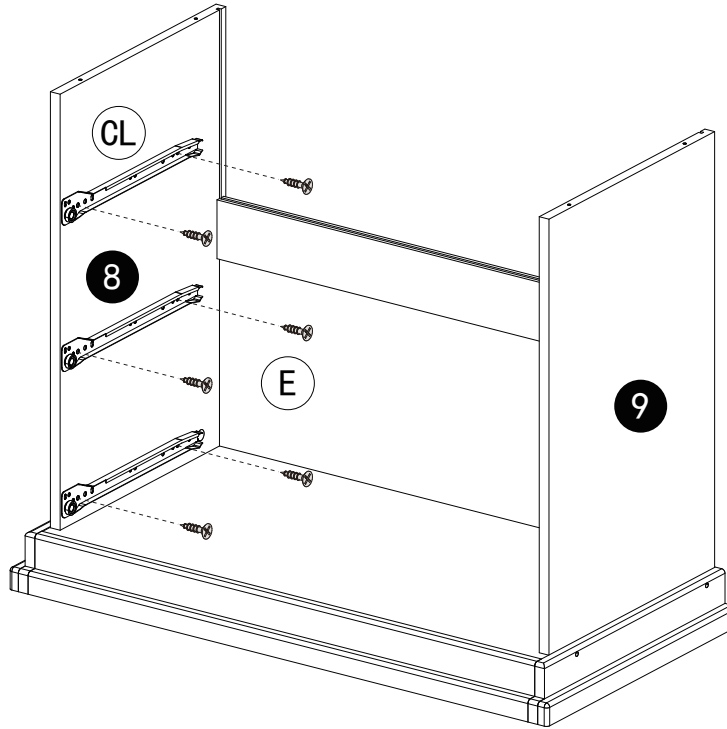
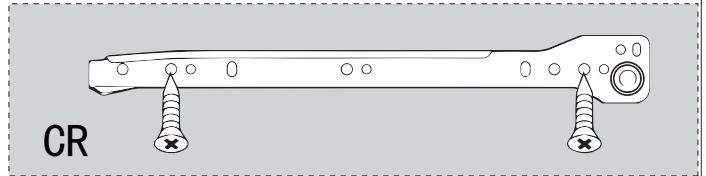
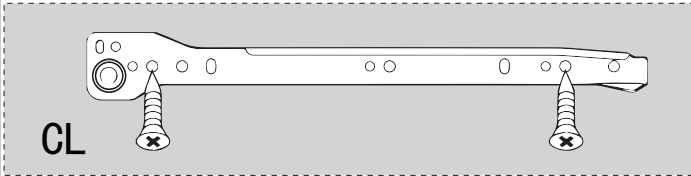
STEP 16

YOU WILL NEED

CL x3

CR x3

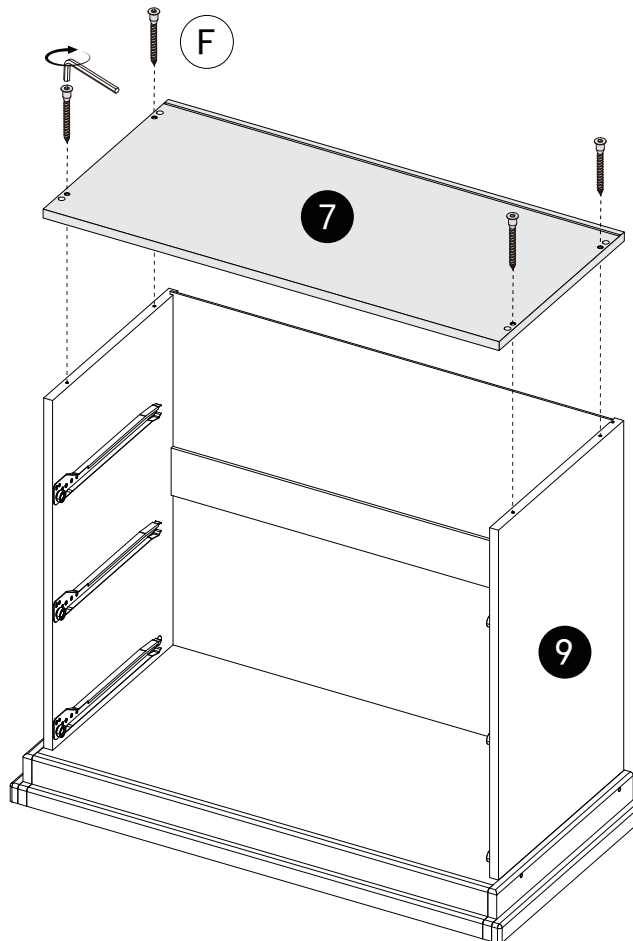
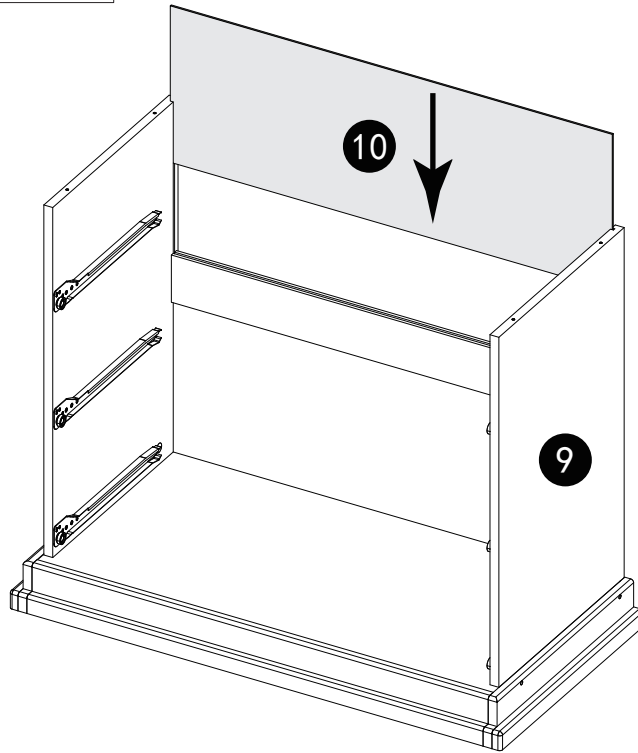
E x12



STEP 17

YOU WILL NEED

F x4

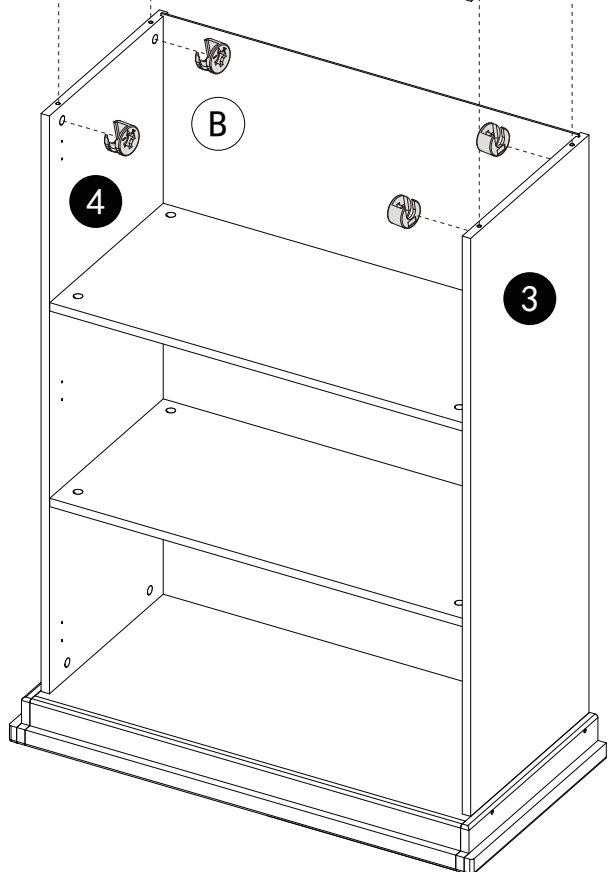
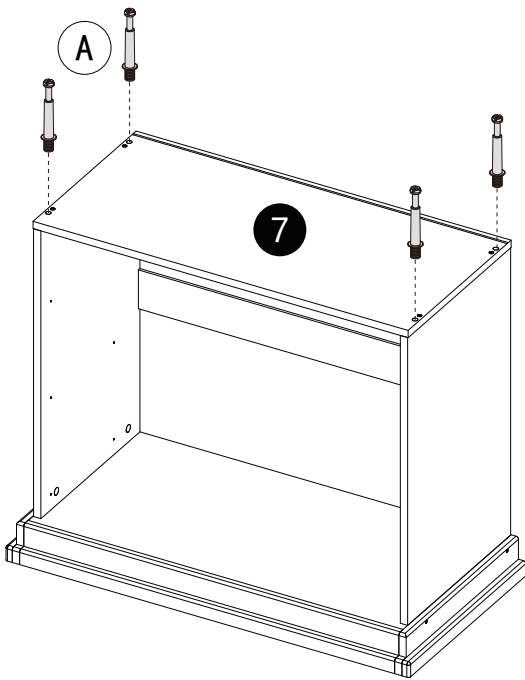


STEP 18

YOU WILL NEED

A x4

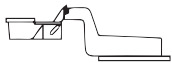
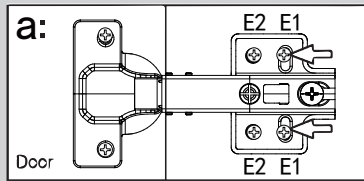
B x4



STEP 19

Hinge adjustment

To facilitate the adjustment, install the E1 screw first, and then install the E2 screw.



Great bend



Middle curve

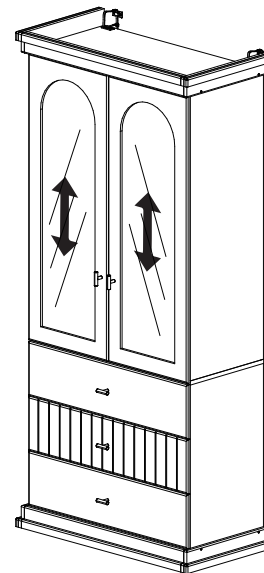
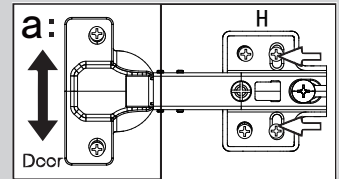


Straight arm

Hinge adjustment

a: To move doors up or down: loosen screws shown and move doors to suit.

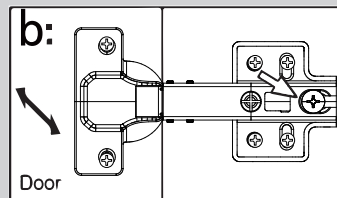
Once doors are aligned, re-tighten screws



Hinge adjustment

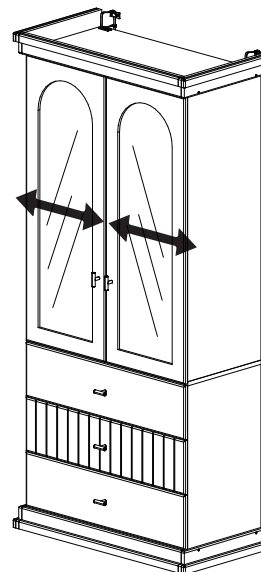
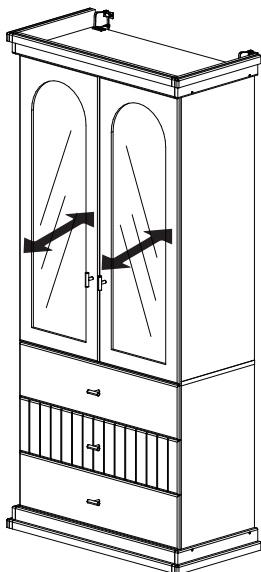
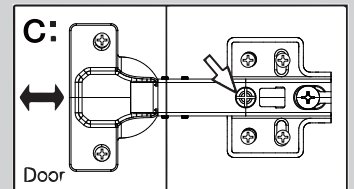
b: To move doors in or out: loosen screw shown and move doors to suit.

Re-tighten screws



Hinge adjustment

c: To move doors left or right: loosen screw shown to move doors to suit.

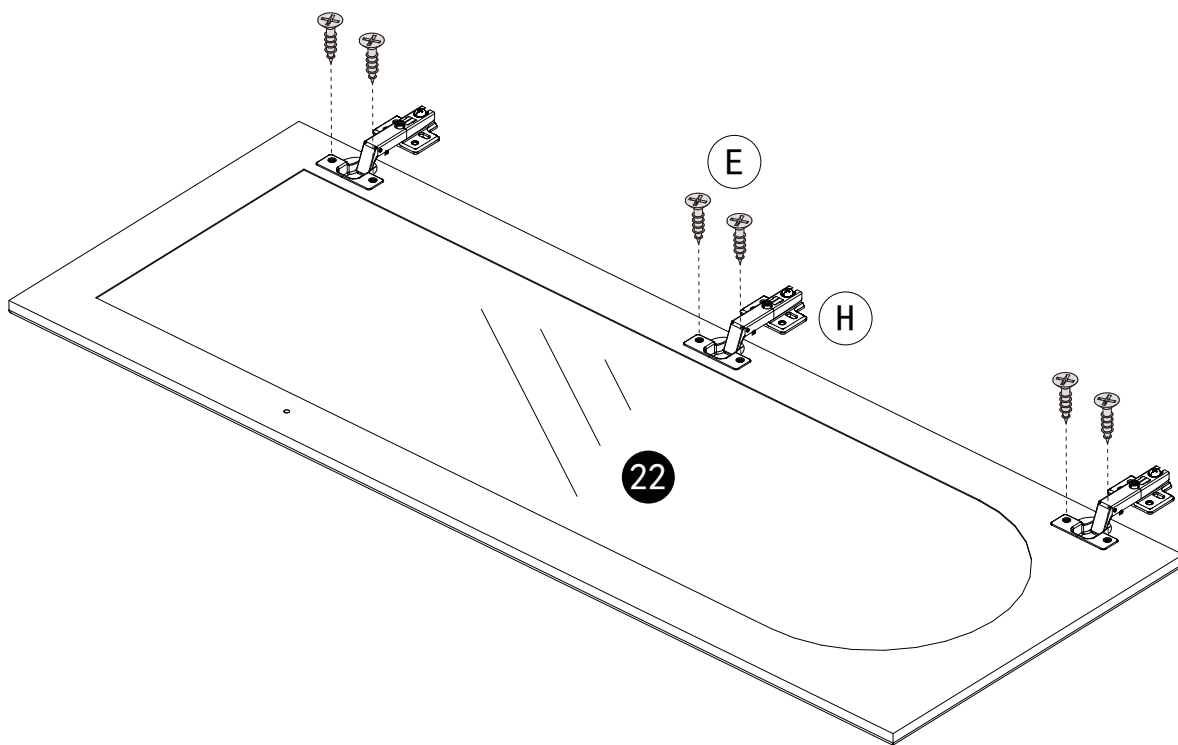
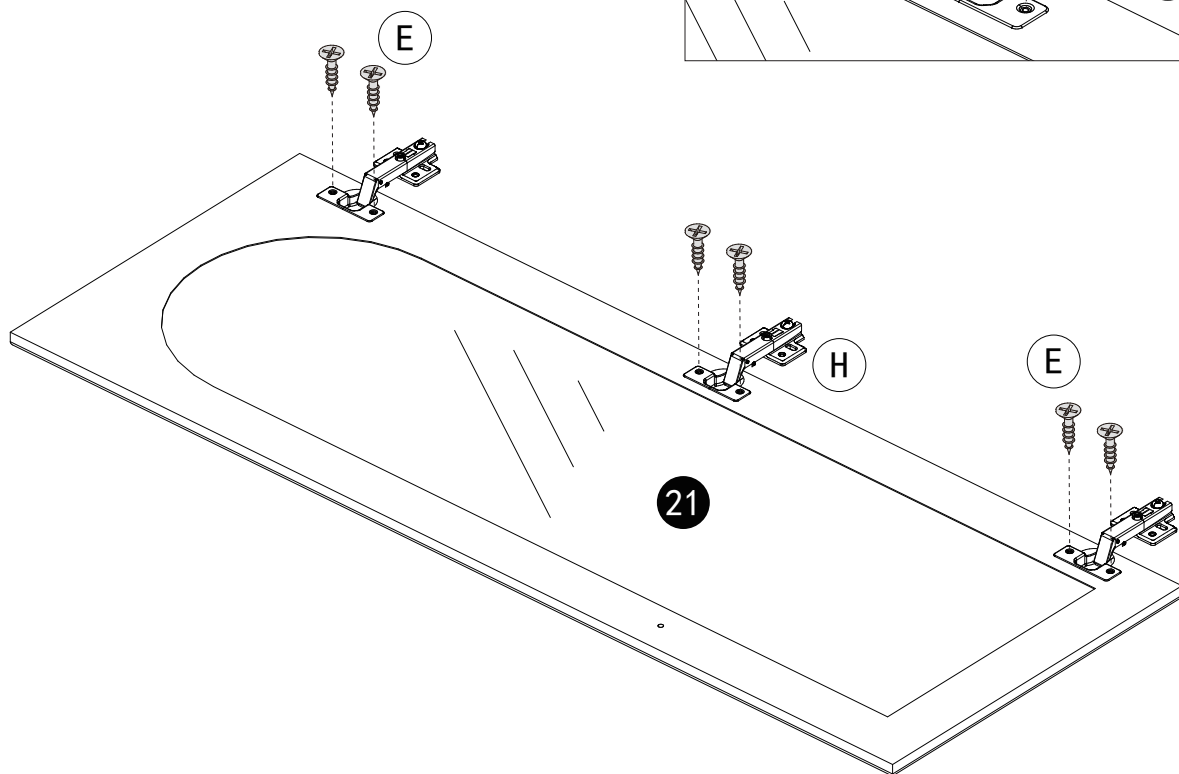
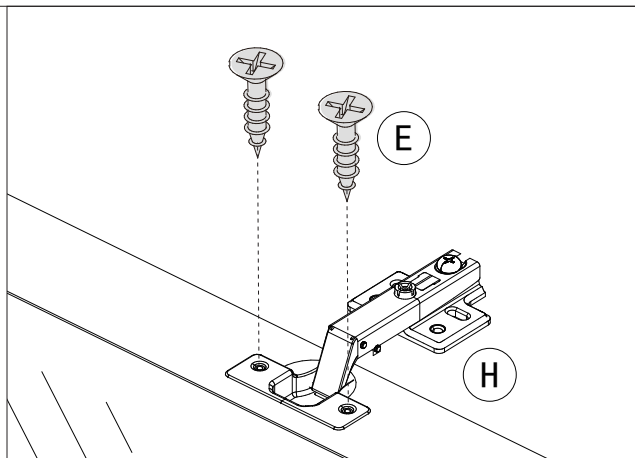


STEP 20

YOU WILL NEED

E x12

H x6

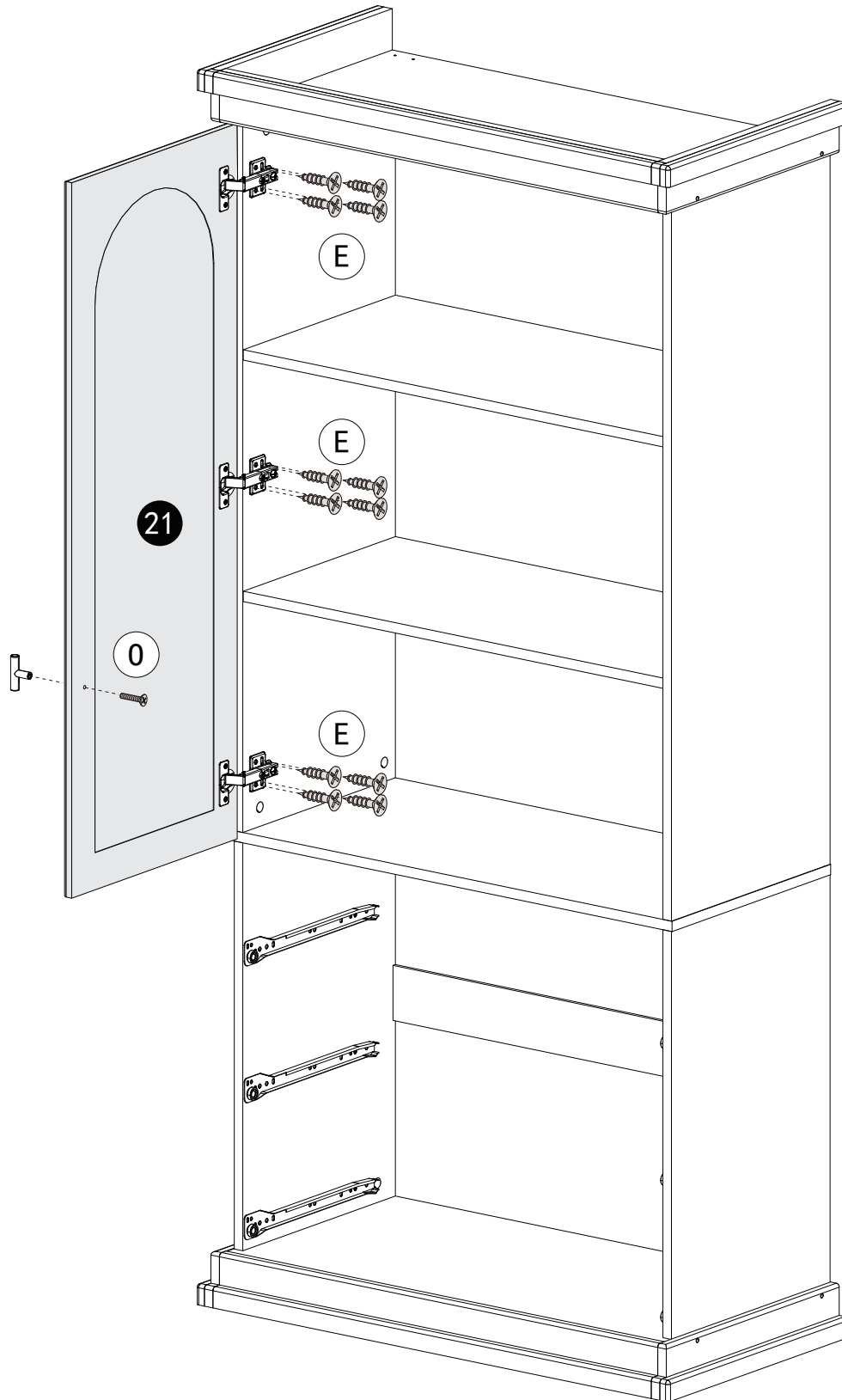


STEP 21

YOU WILL NEED

E x12

O x1

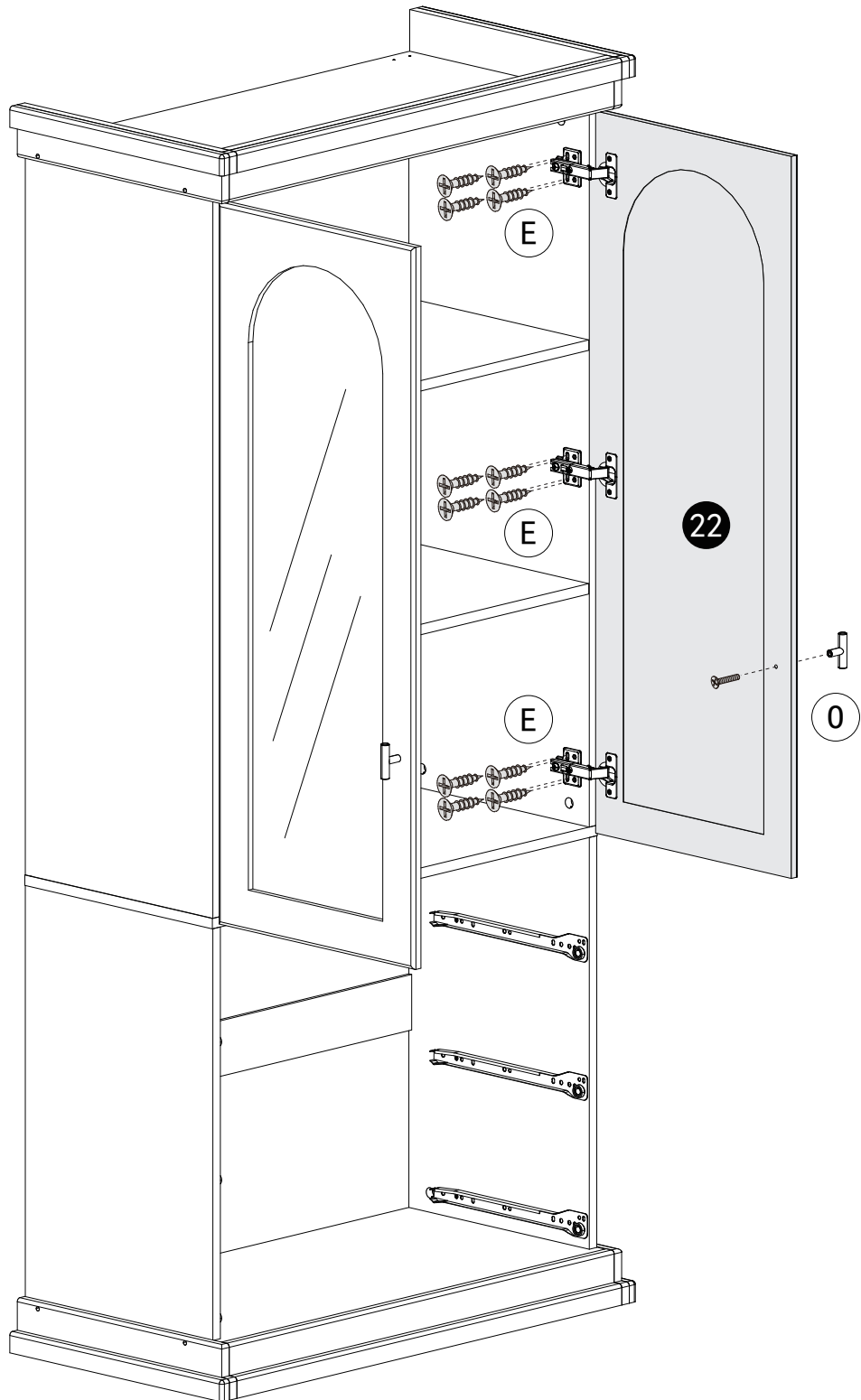


STEP22

YOU WILL NEED

E x12

O x1



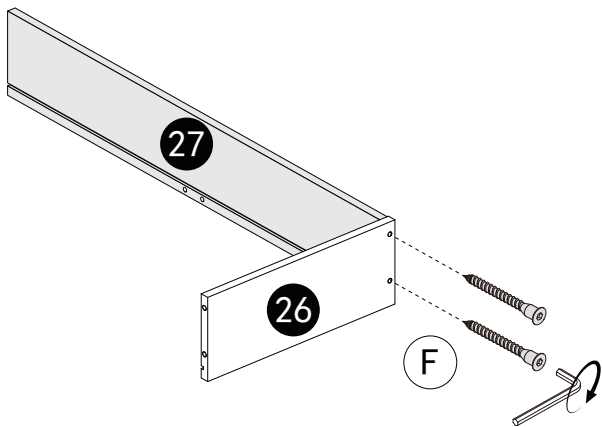
STEP 23

YOU WILL NEED

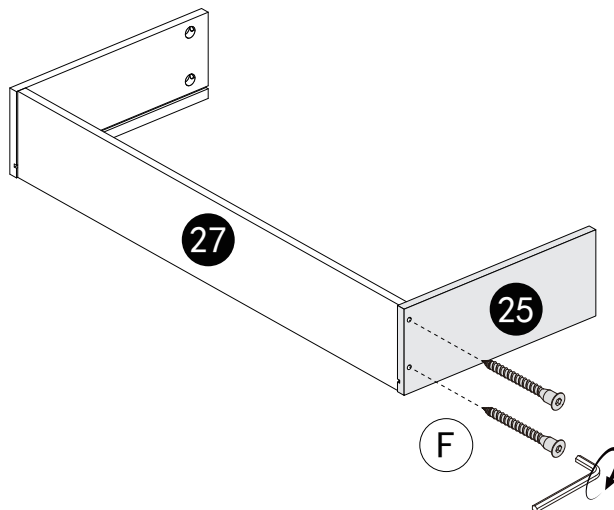
F x12

J x12

1

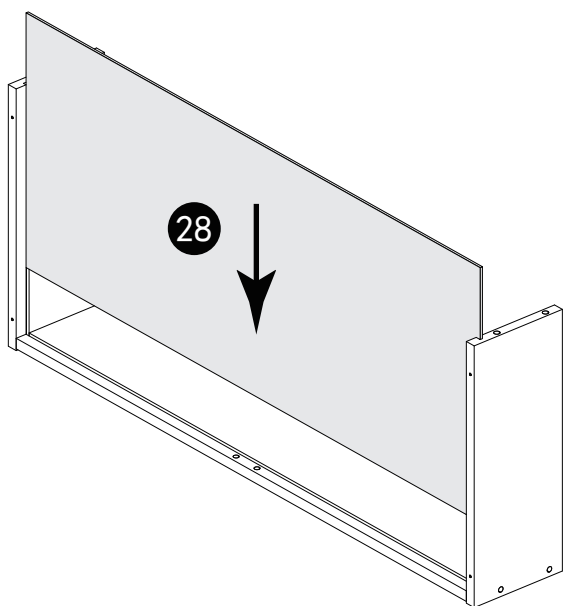


2

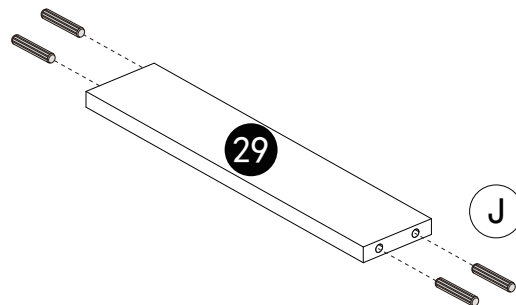


x3

3



4



STEP 24

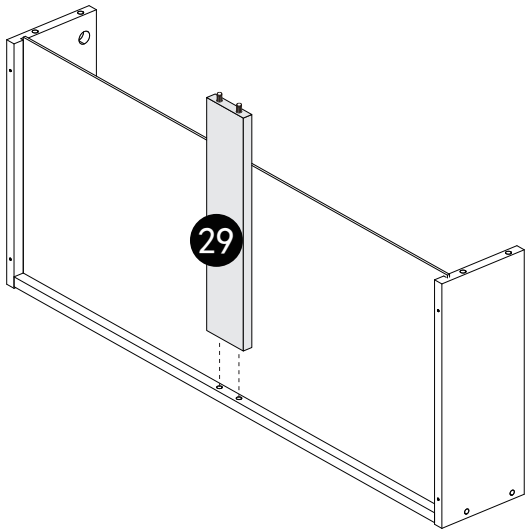
YOU WILL NEED

A x12

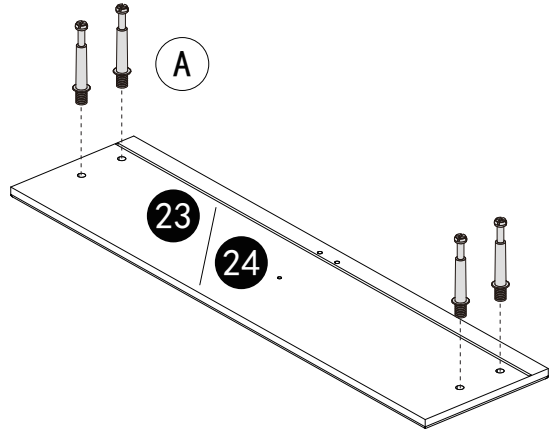
B x12

O x3

5

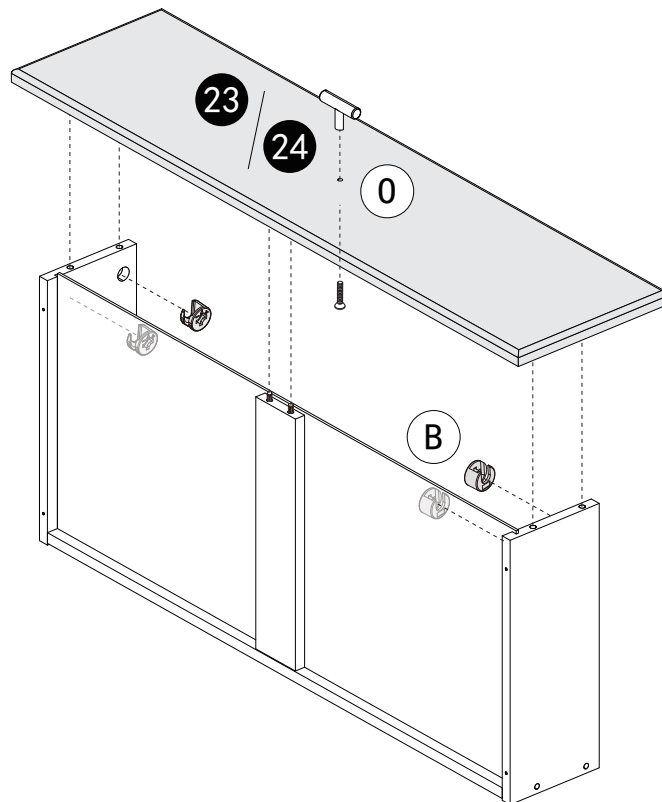


6



x3

7



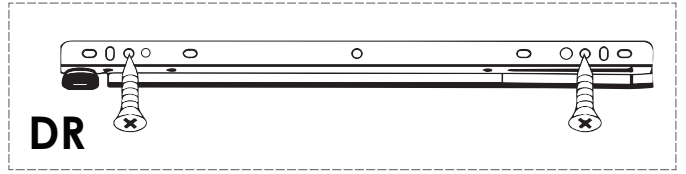
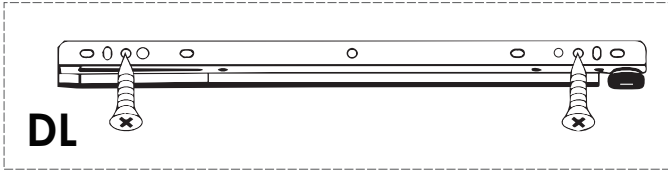
STEP 25

YOU WILL NEED

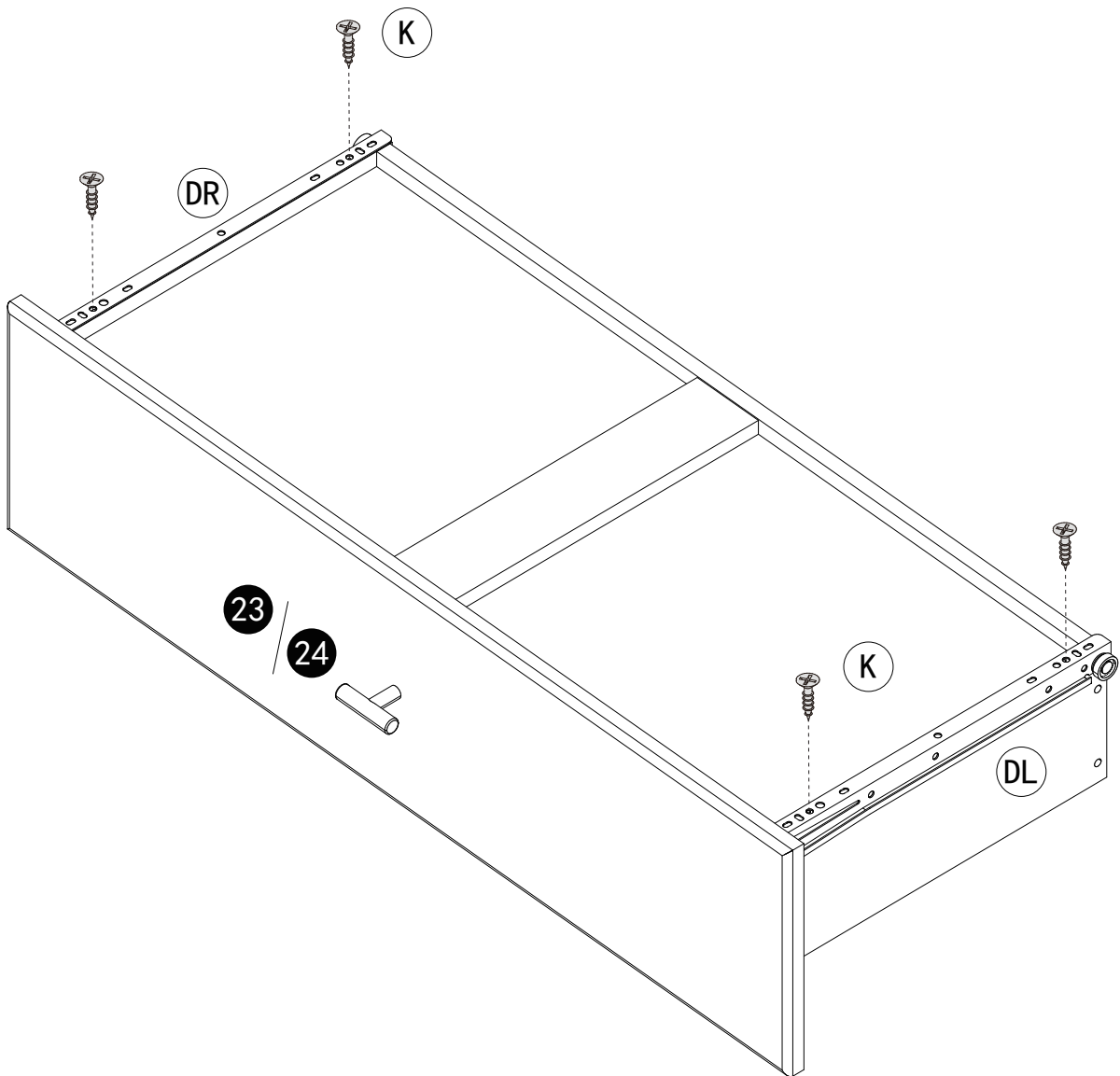
DL x3

DR x3

K x12

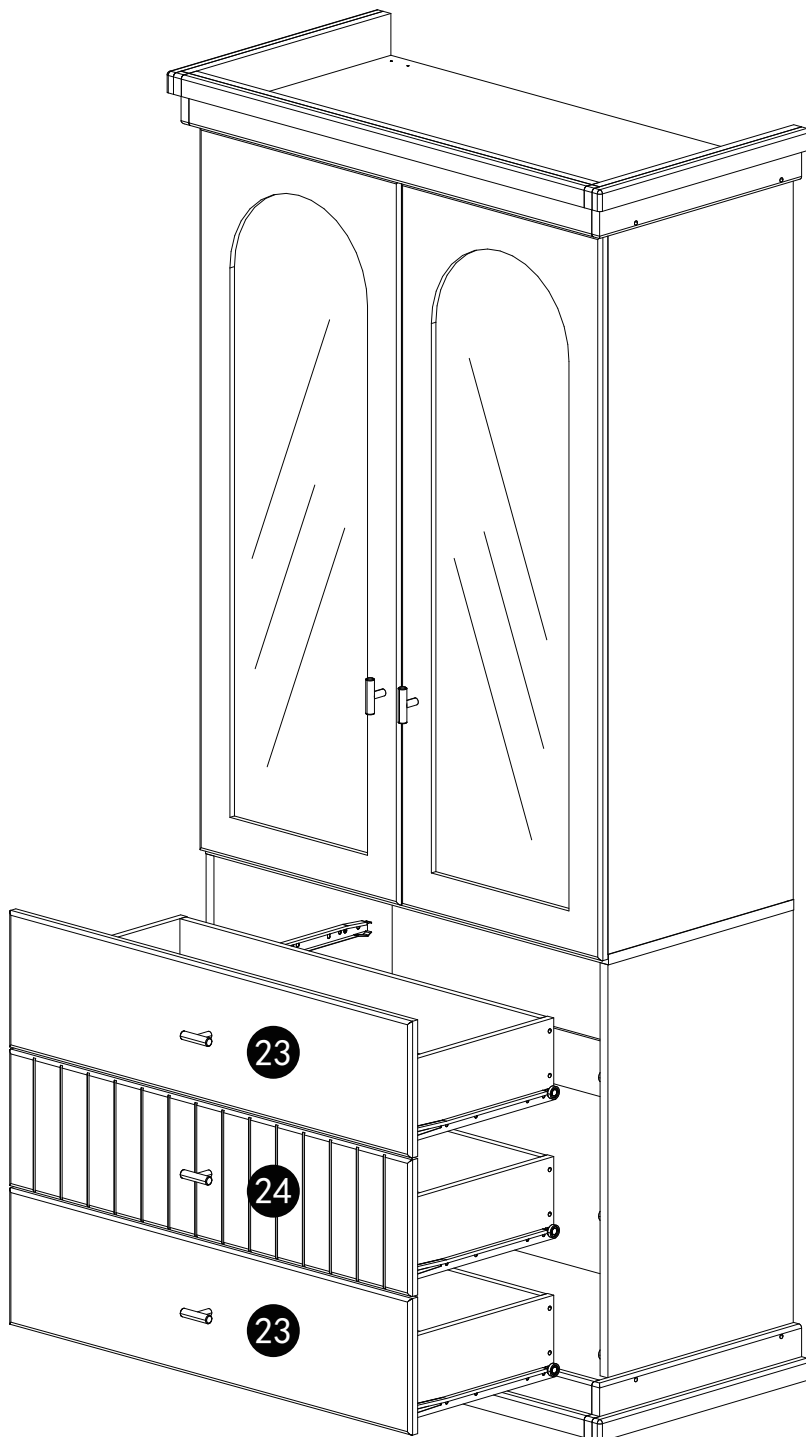
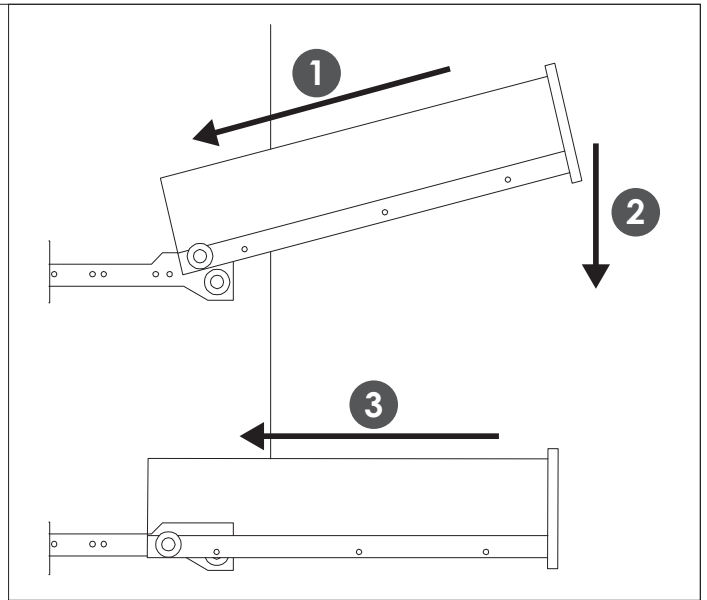
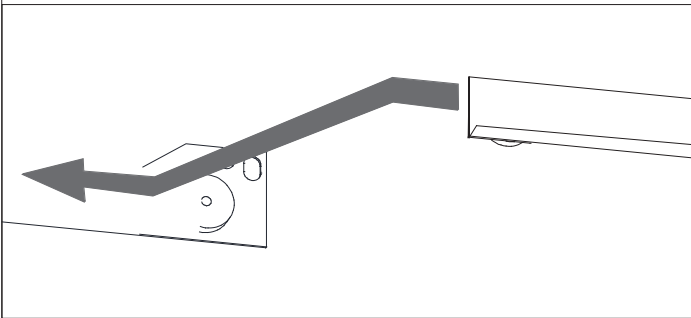


8



x3

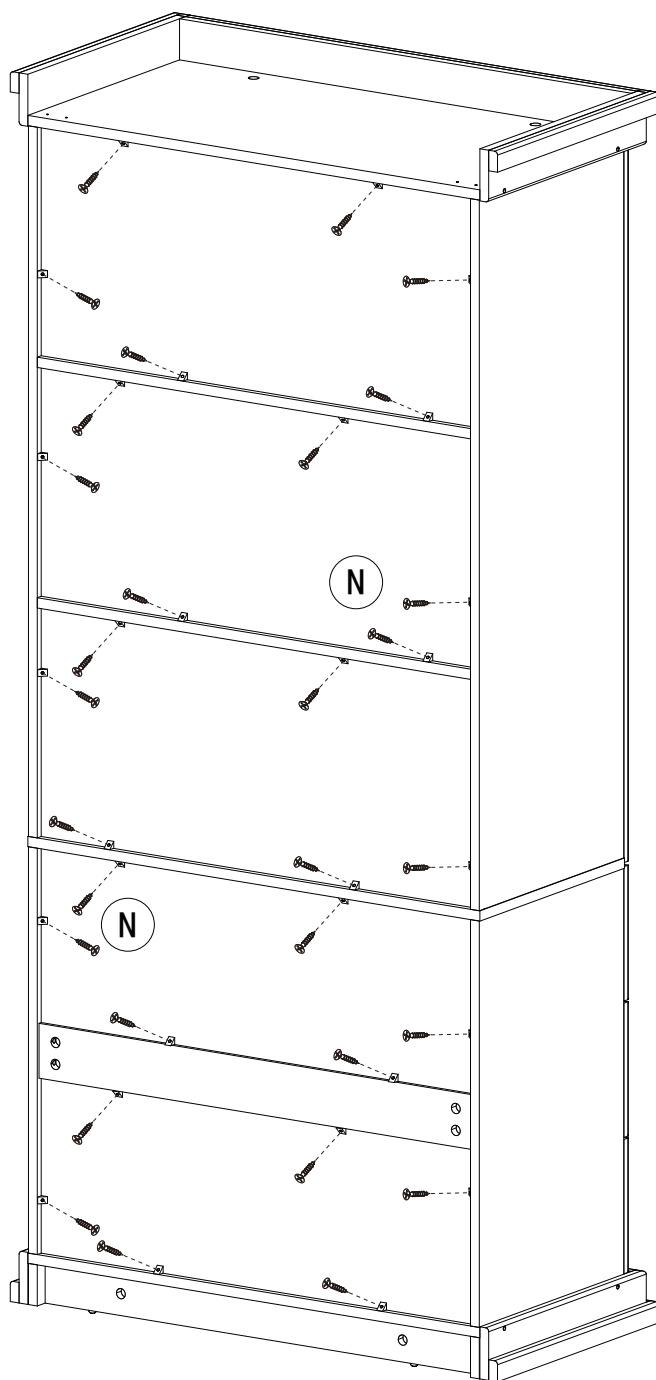
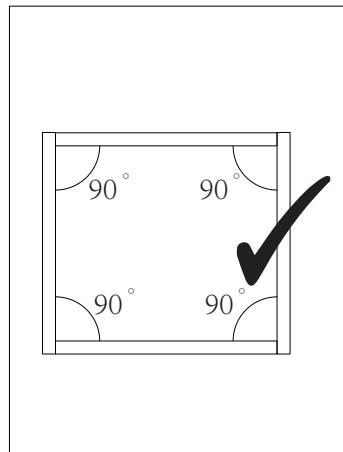
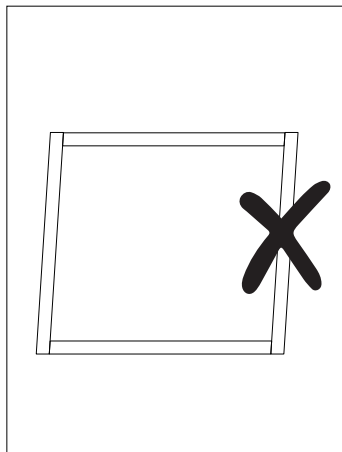
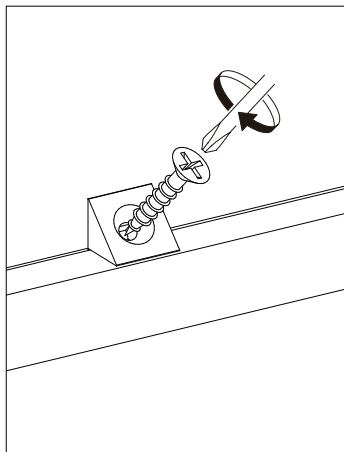
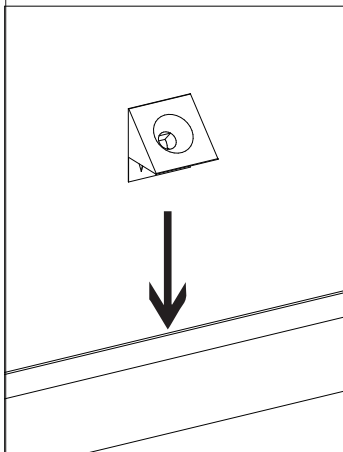
STEP 26



STEP27

YOU WILL NEED

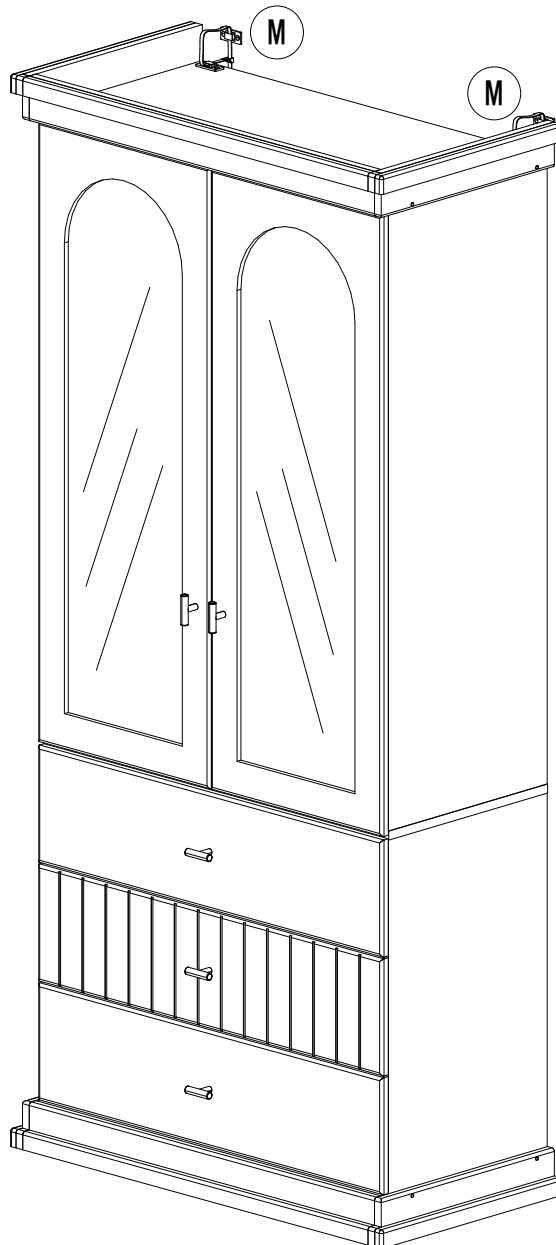
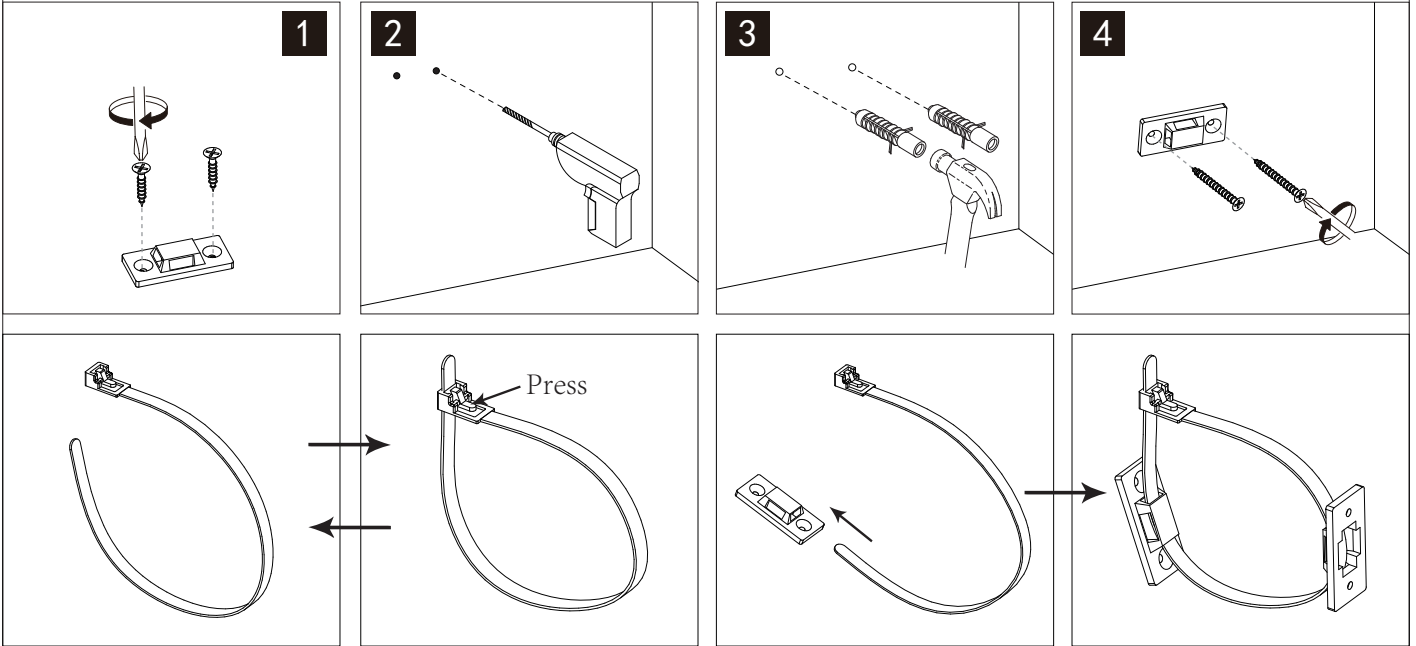
N x30



STEP 28

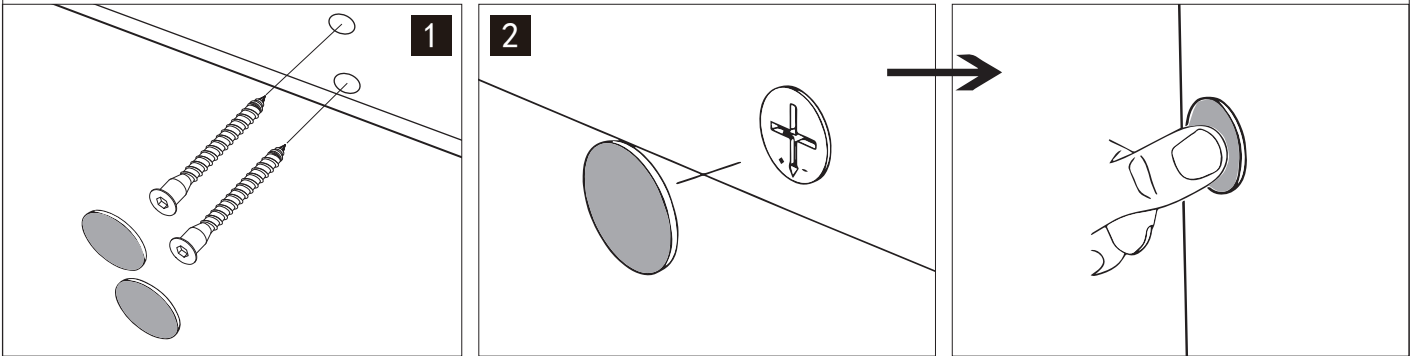
YOU WILL NEED

M x2



STEP 29**YOU WILL NEED**

L x32



Add L fittings to all exposed holes on the front of the product

