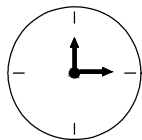
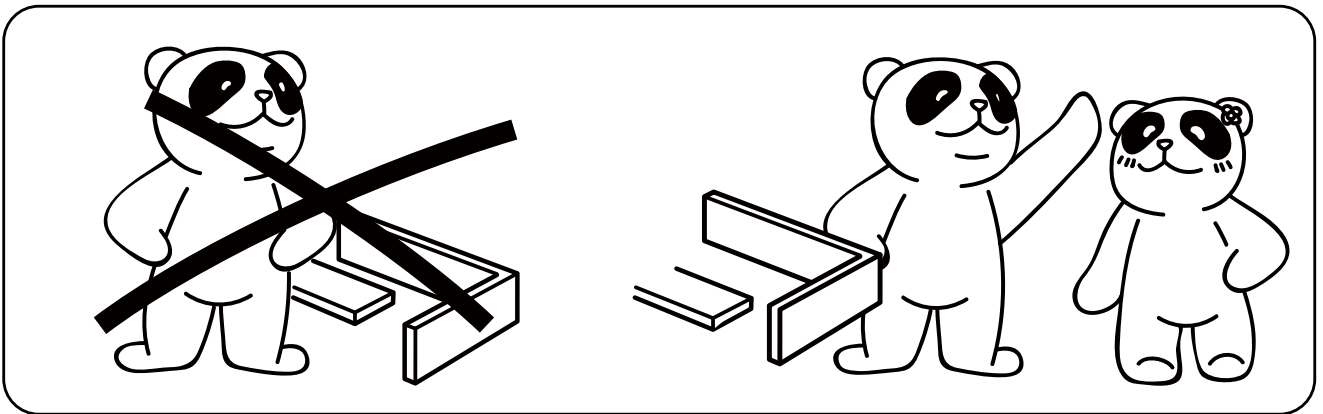
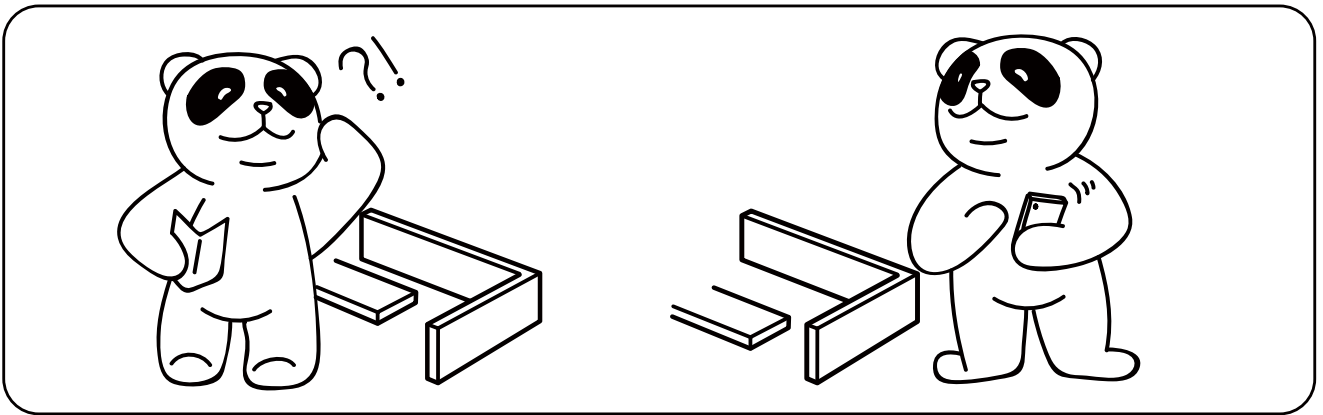
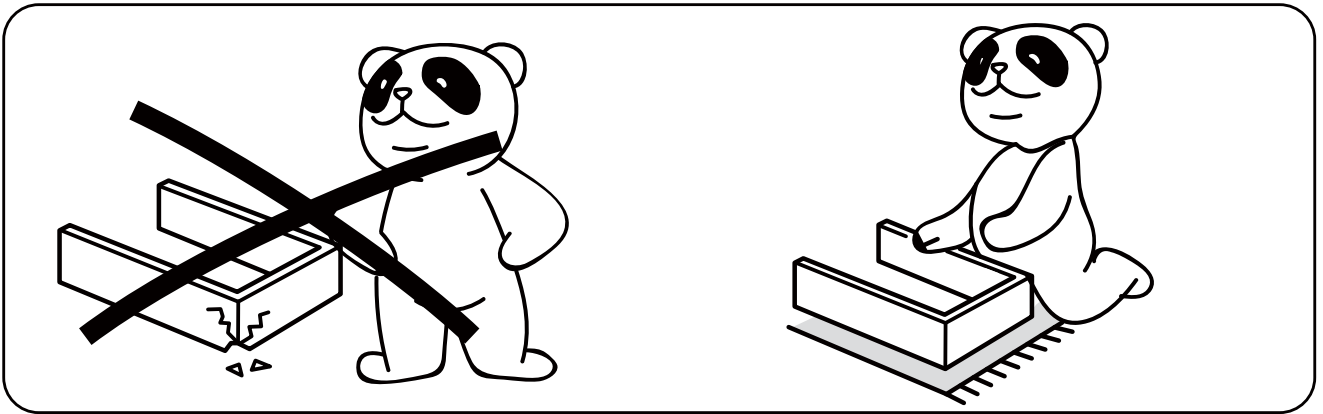
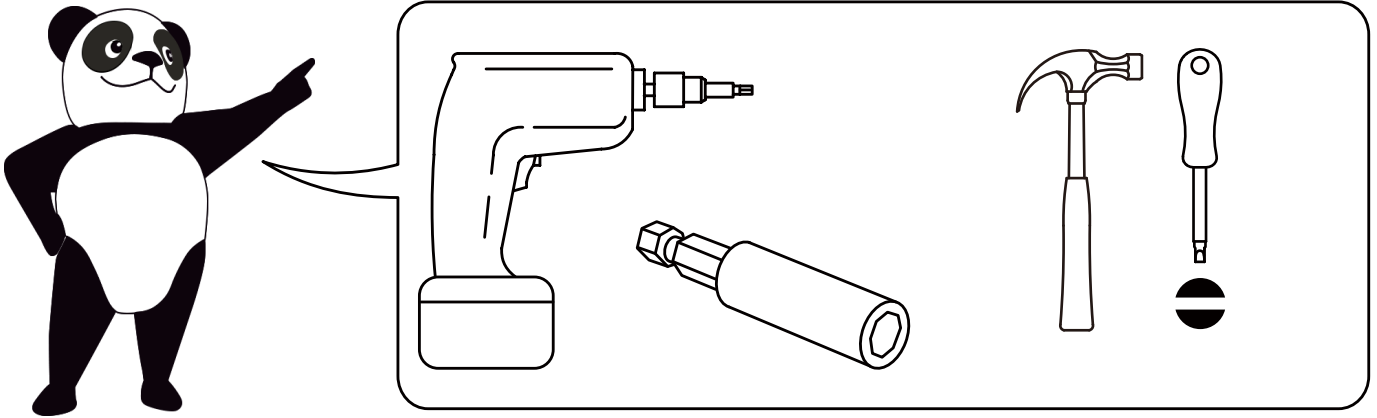


2 PERS.



210 MIN



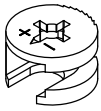
# Installation parts



**A**

x56(+2)

Ø6x35mm



**B**

x56(+2)

Ø15x10mm



**C**

x72(+3)

Ø6x30mm



**D**

x38(+3)

Ø3.5x10mm

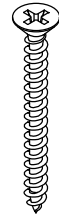


**E1**



**E2**

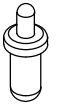
x5



**F**

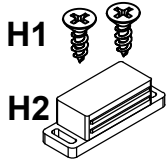
x41(+2)

Ø4x35mm



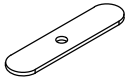
**G**

x2



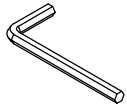
**H**

x2



**I**

x2



**J**

x1



**K**

x8



**L**

x10



**M**

x2



**N**

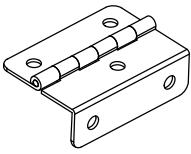
x2

Ø4x12mm



**O**

x5



**P**

x2



**Q**

x2



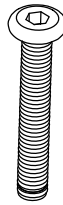
**R1**



**R2**

**R**

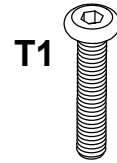
x1



**S**

x6

Ø6x40mm



**T1**

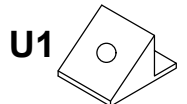


**T2**

**T**

x6

Ø6x30mm



**U1**



**U2**

**U**

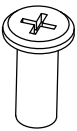
x16(+1)



**V**

x2

Ø6x15mm



**W**

x2

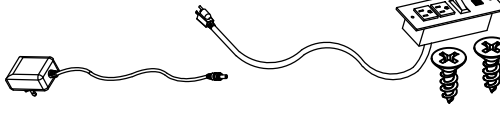
Ø8x20mm



**X**

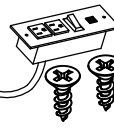
x10

Ø3.5x12mm



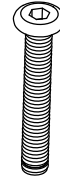
**Y**

x1



**Z**

x1



**AA**

x2

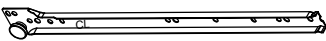
Ø6x50mm



**BB**

x2

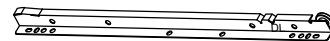
Ø10x10mm



**CL**

x3

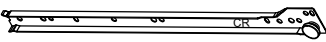
L300mm



**DL**

x3

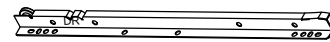
L300mm



**CR**

x3

L300mm



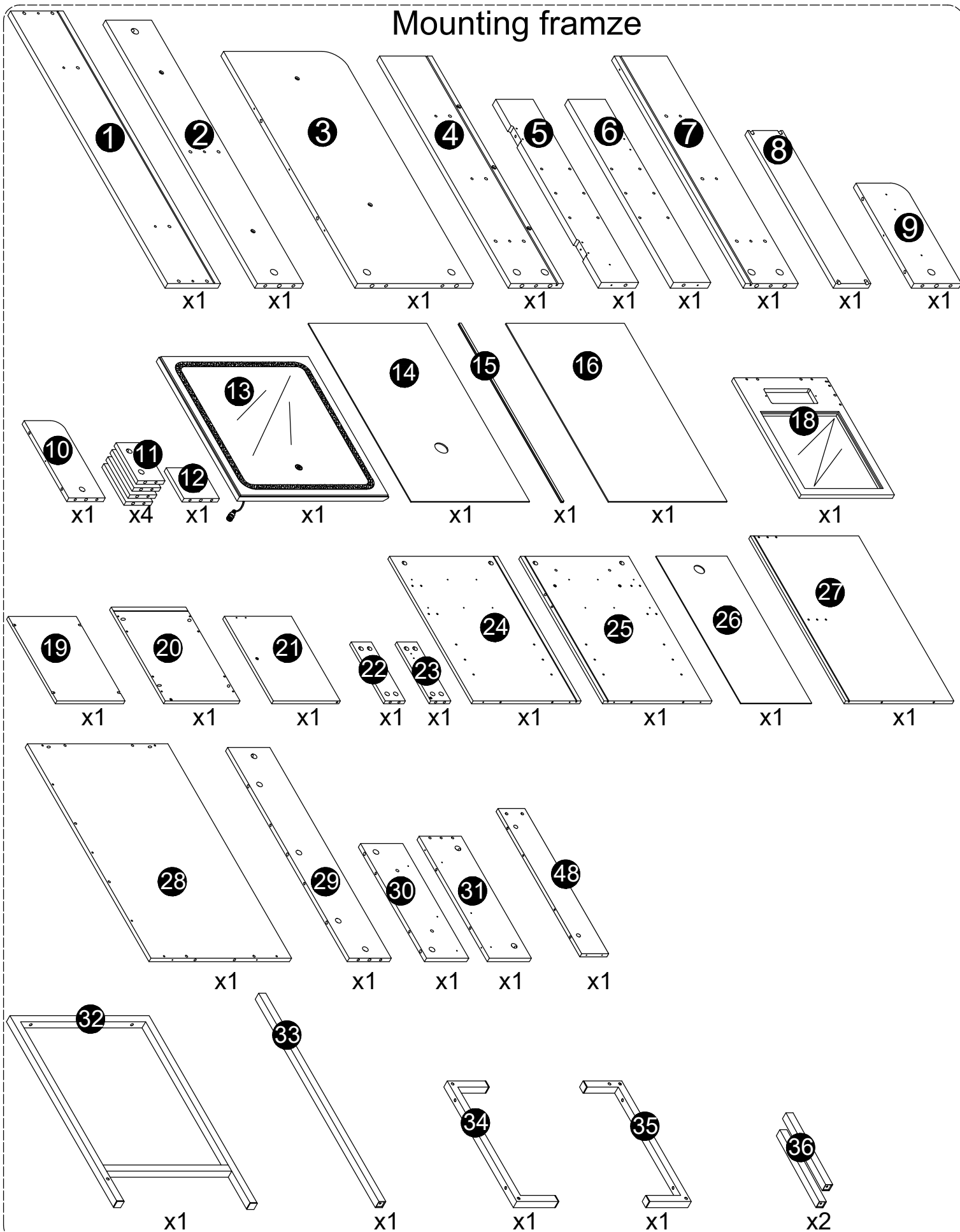
**DR**

x3

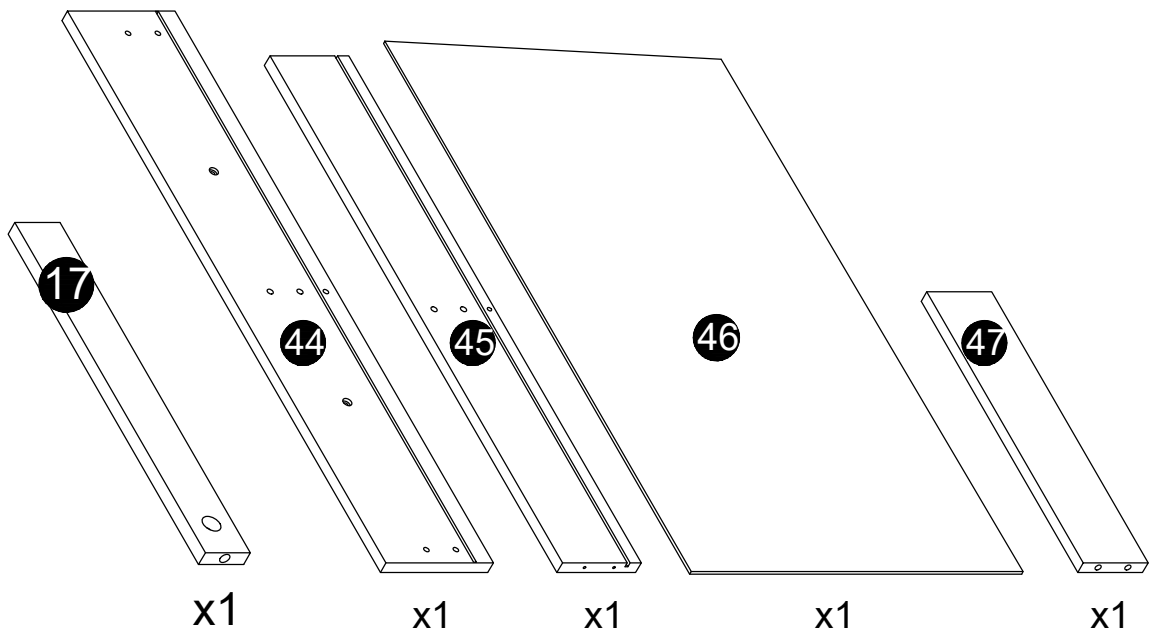
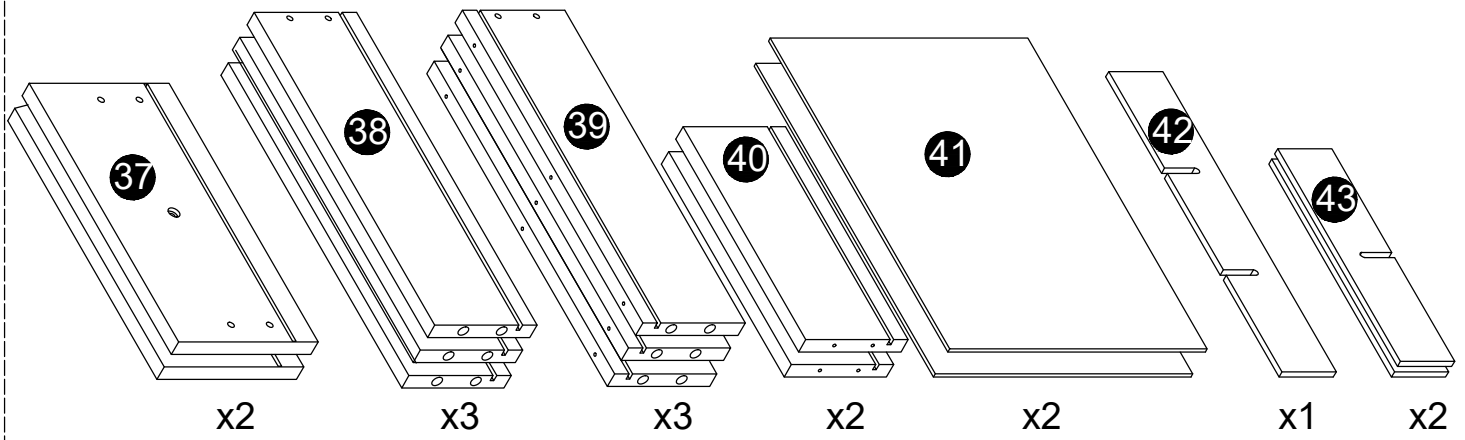
L300mm

Please place all the boards in the order shown in the picture below, the installation will be easy and smooth.

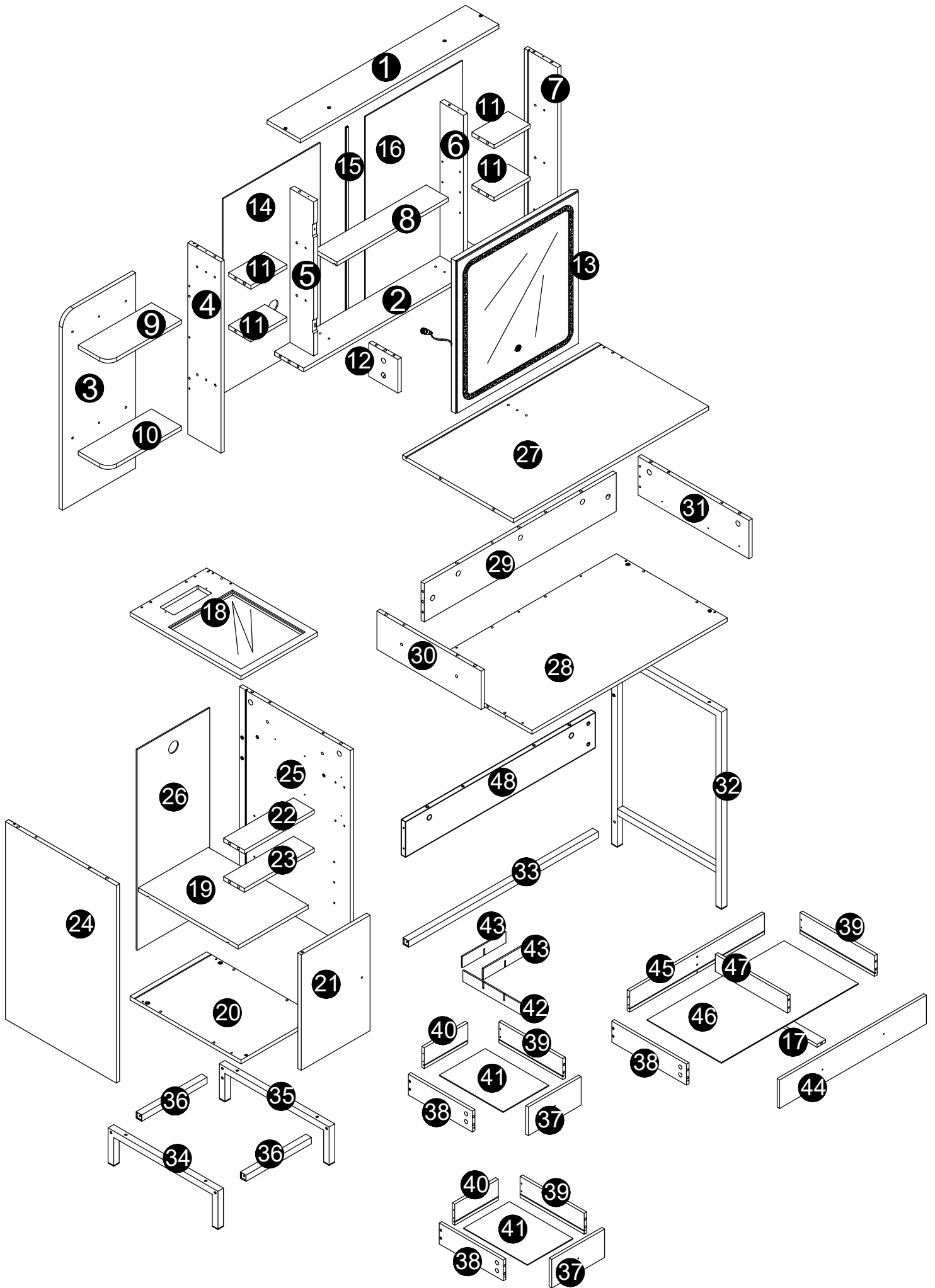
### Mounting framze



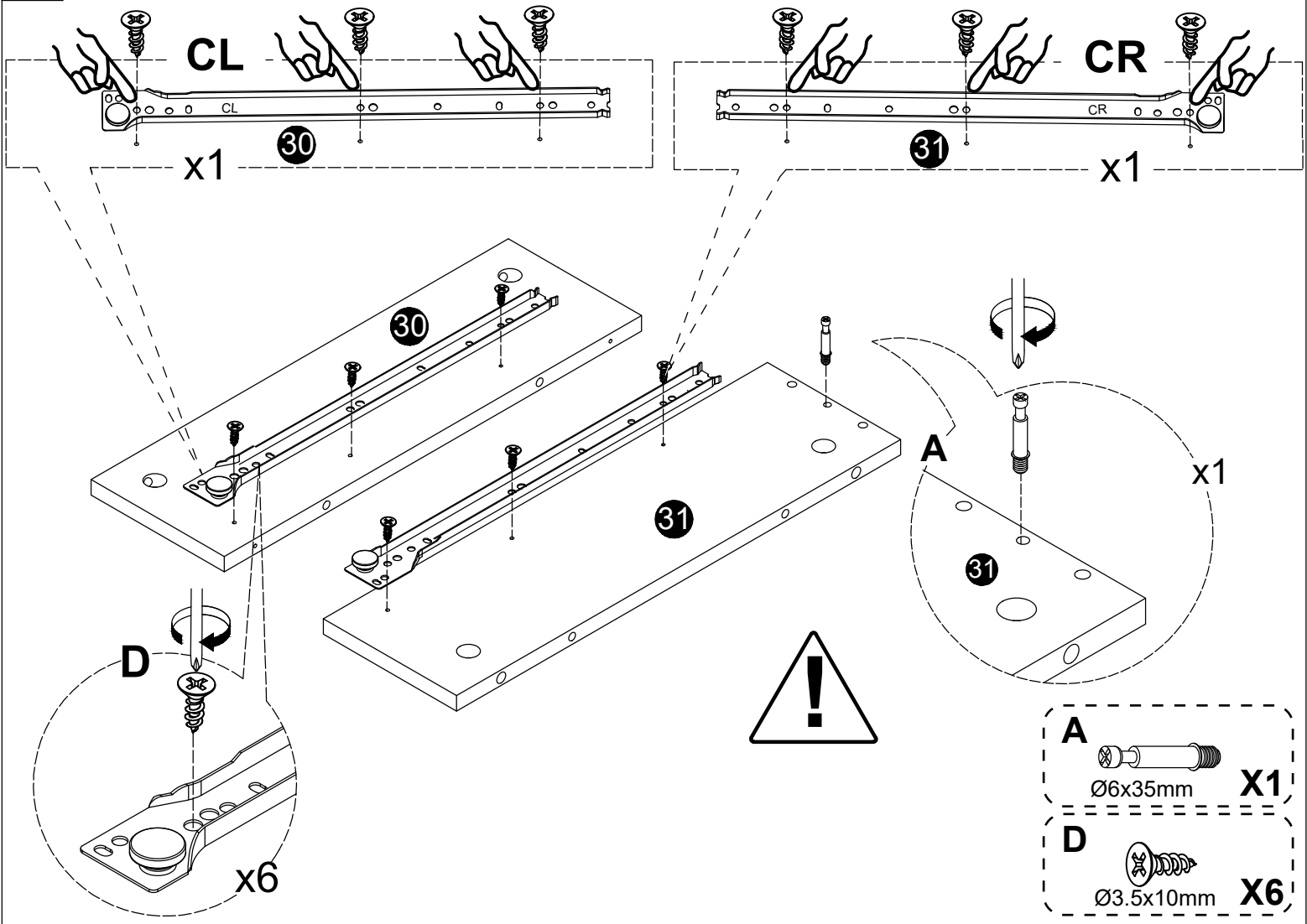
# Drawer board



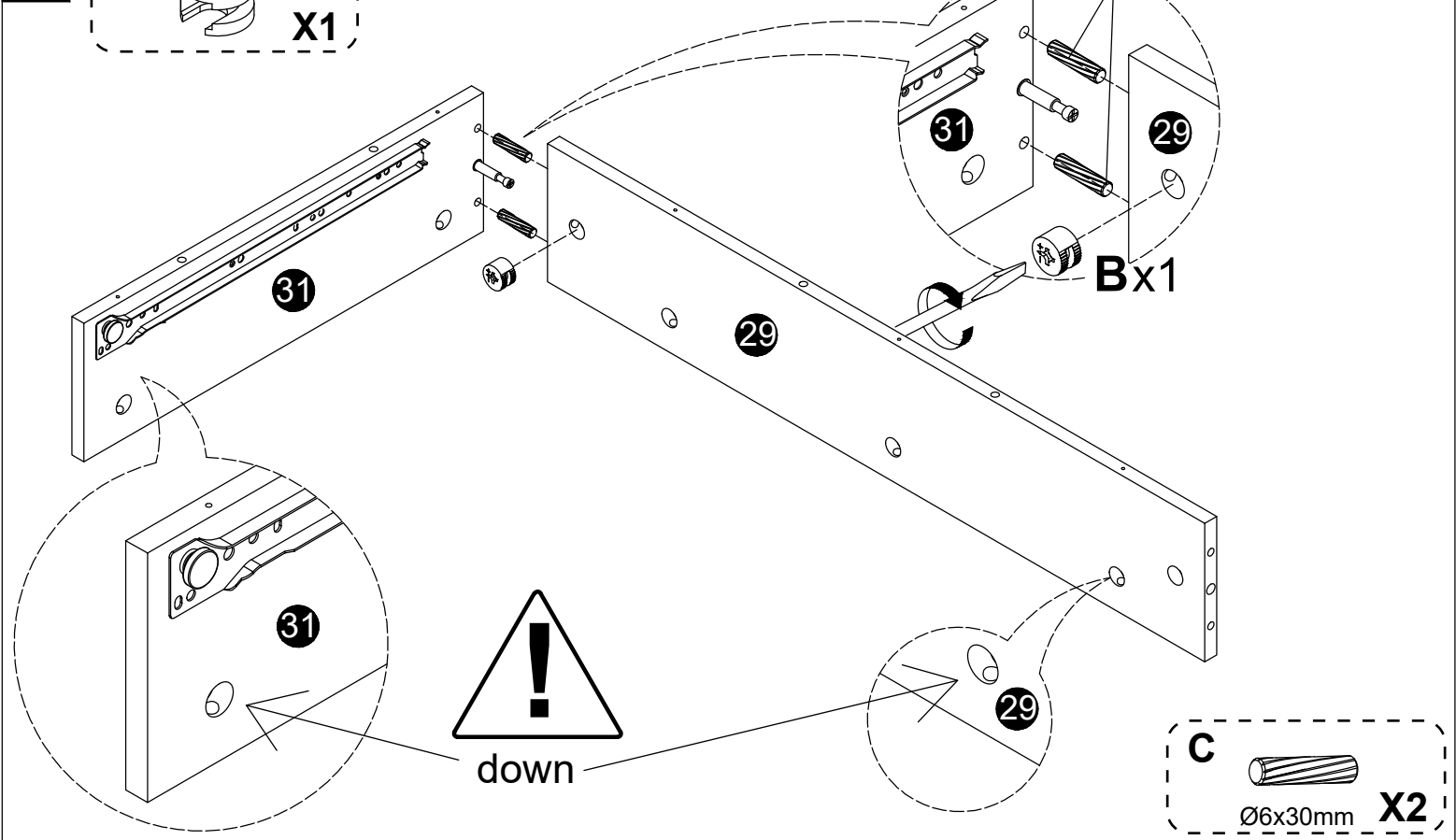
Please use each screw in strict accordance with the instructions



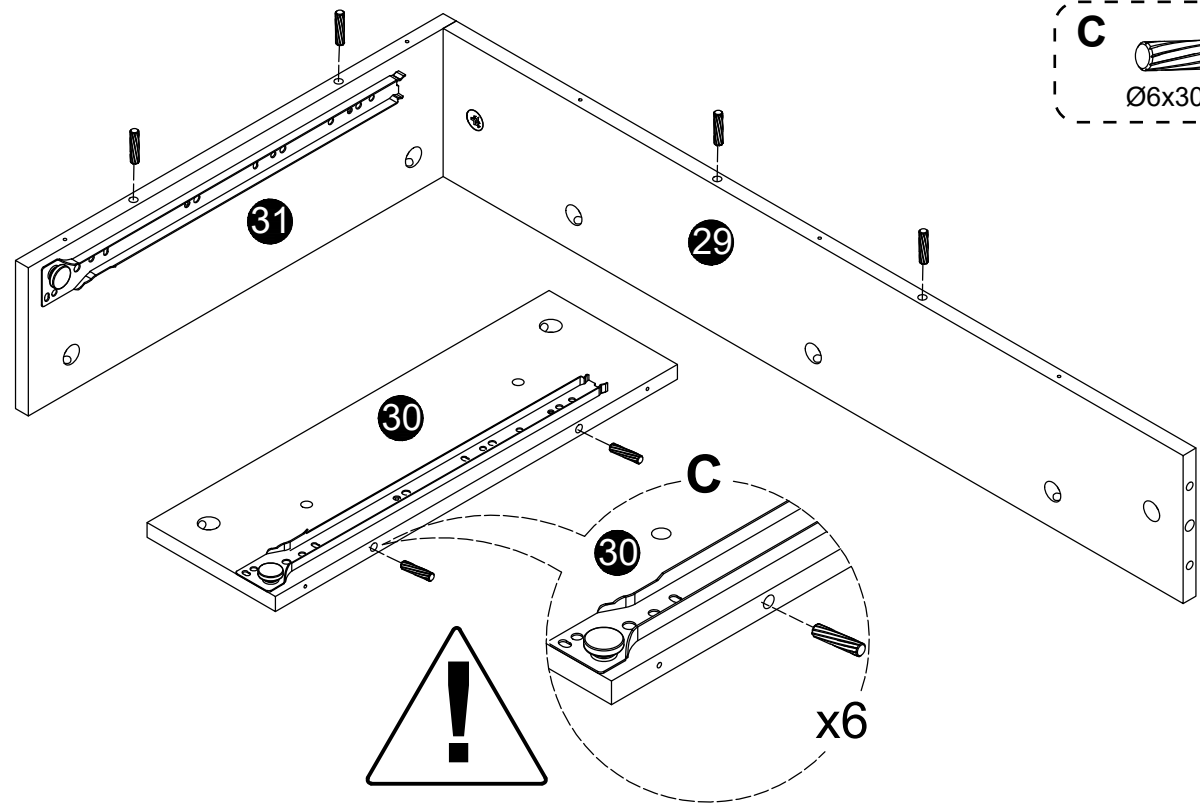
**1**



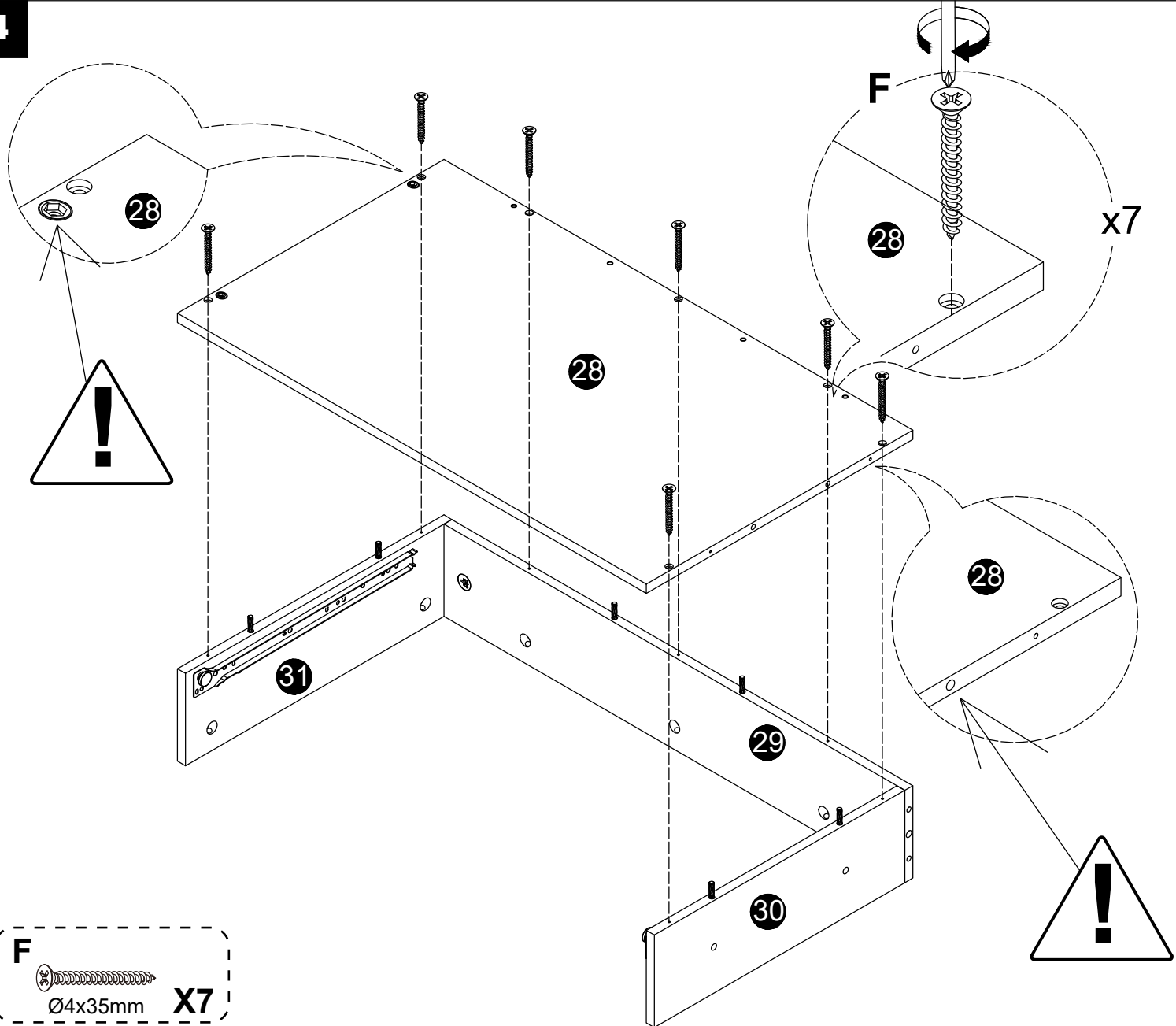
**2**



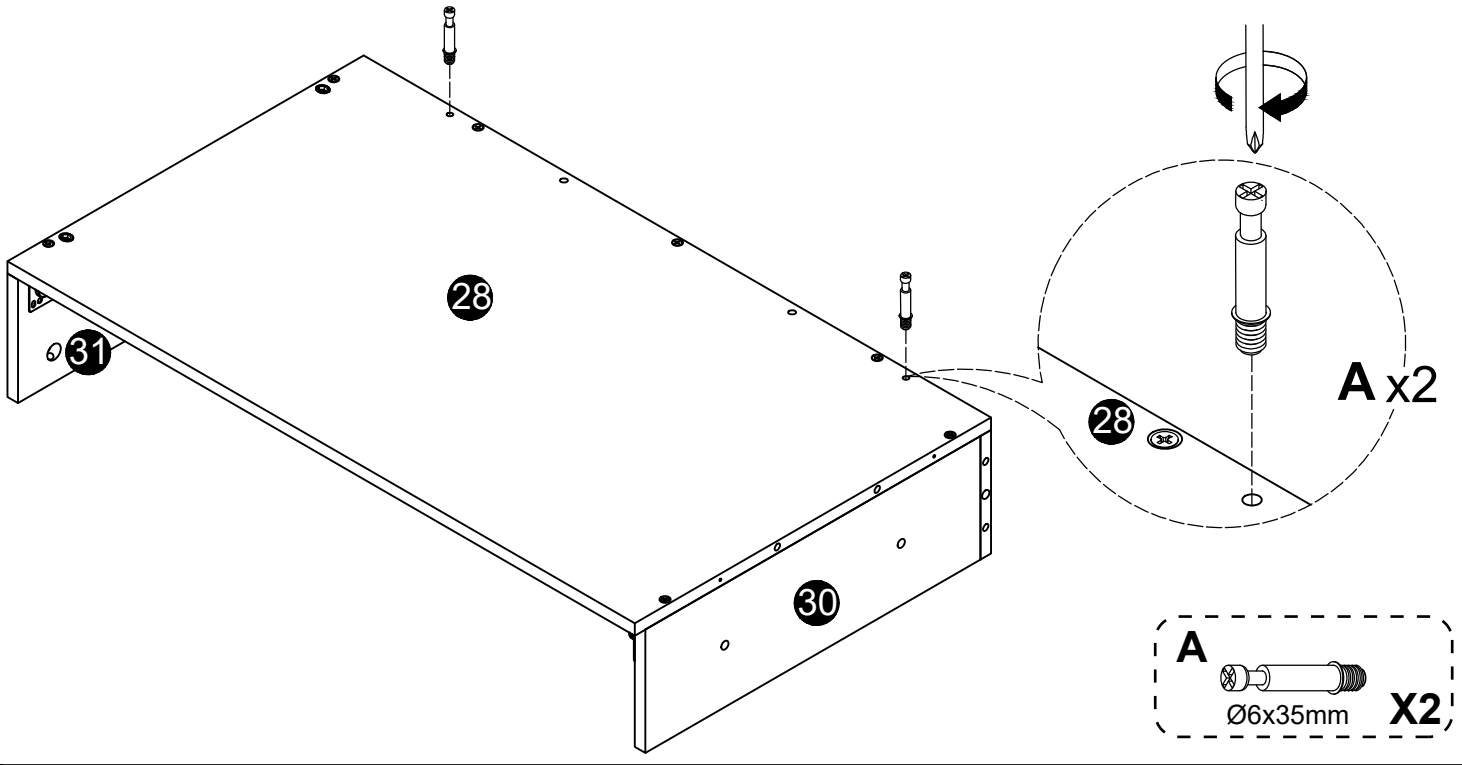
3



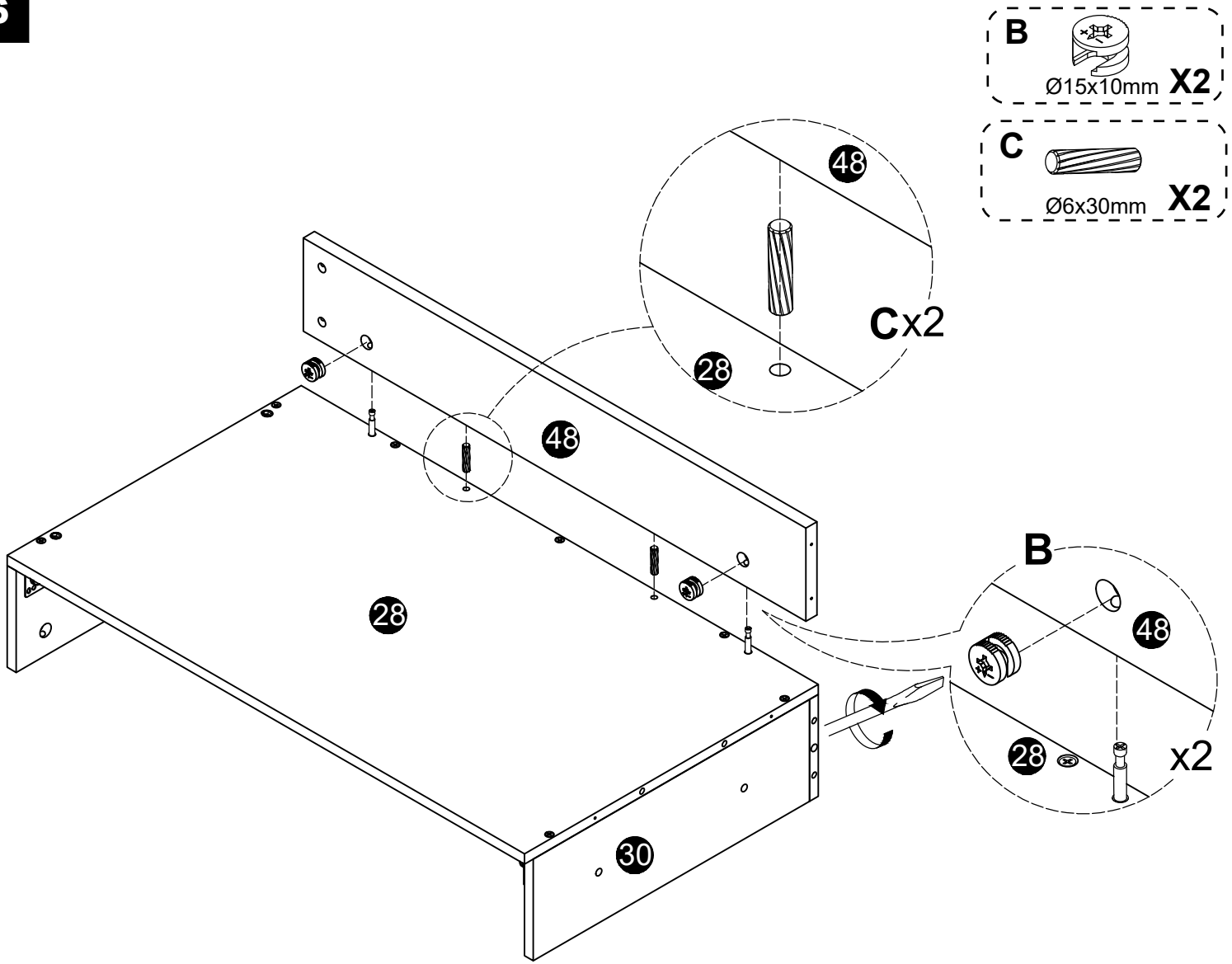
4



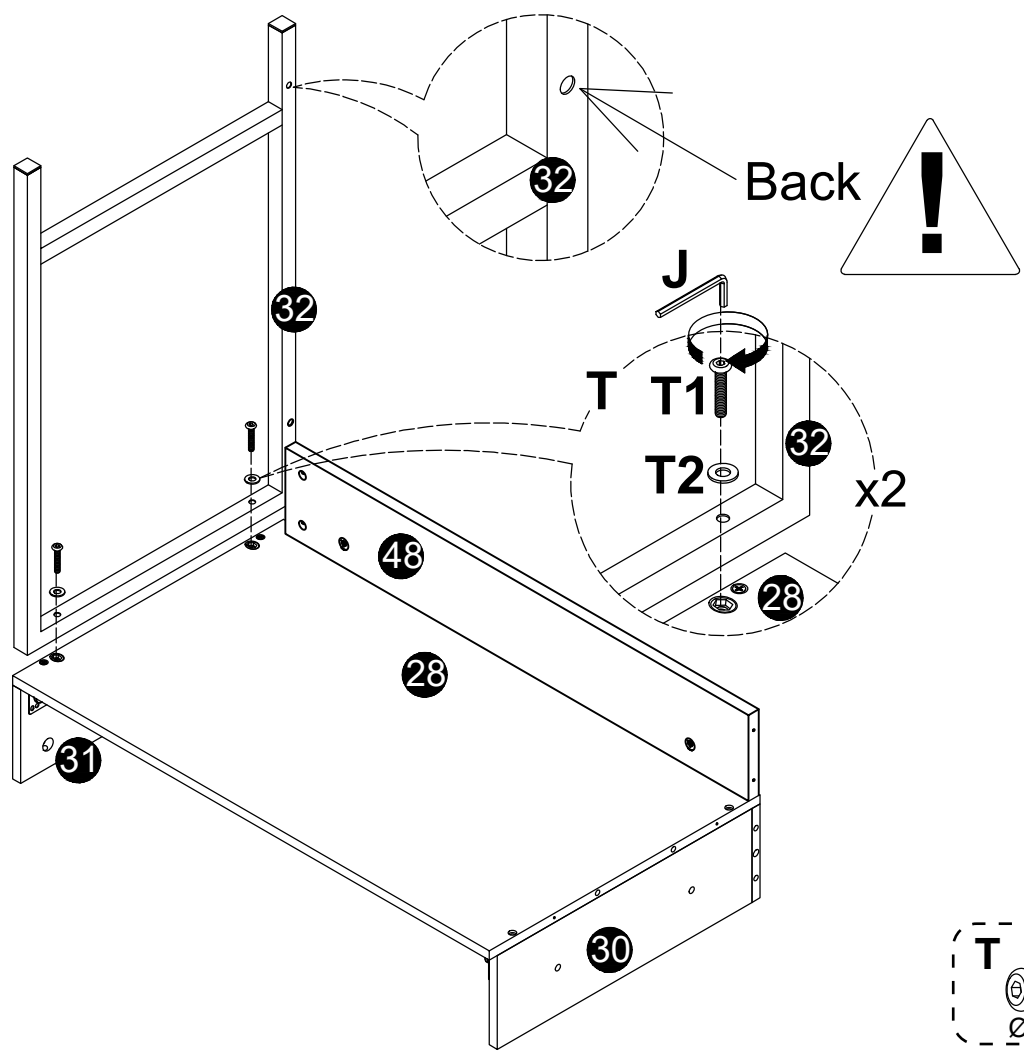
5



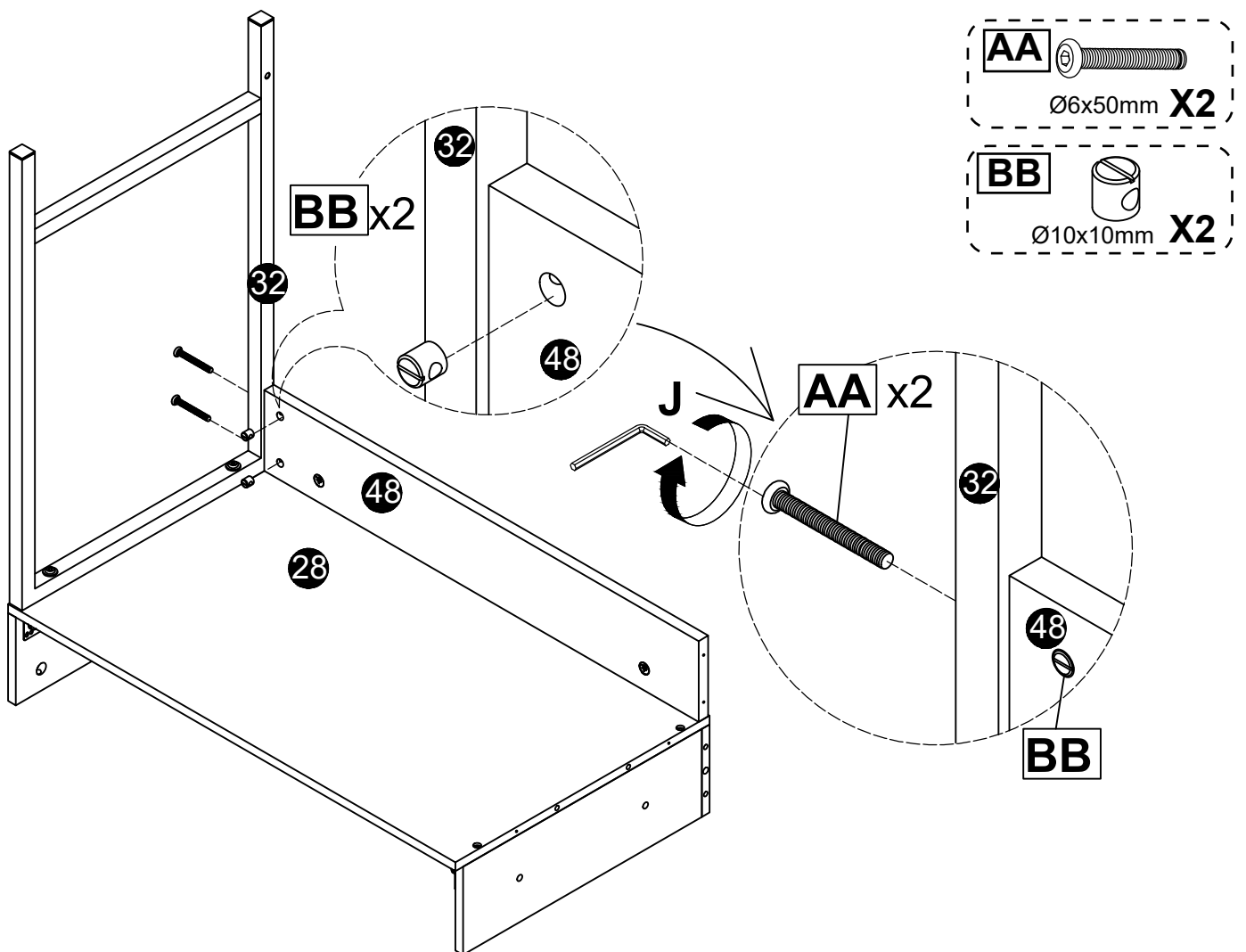
6

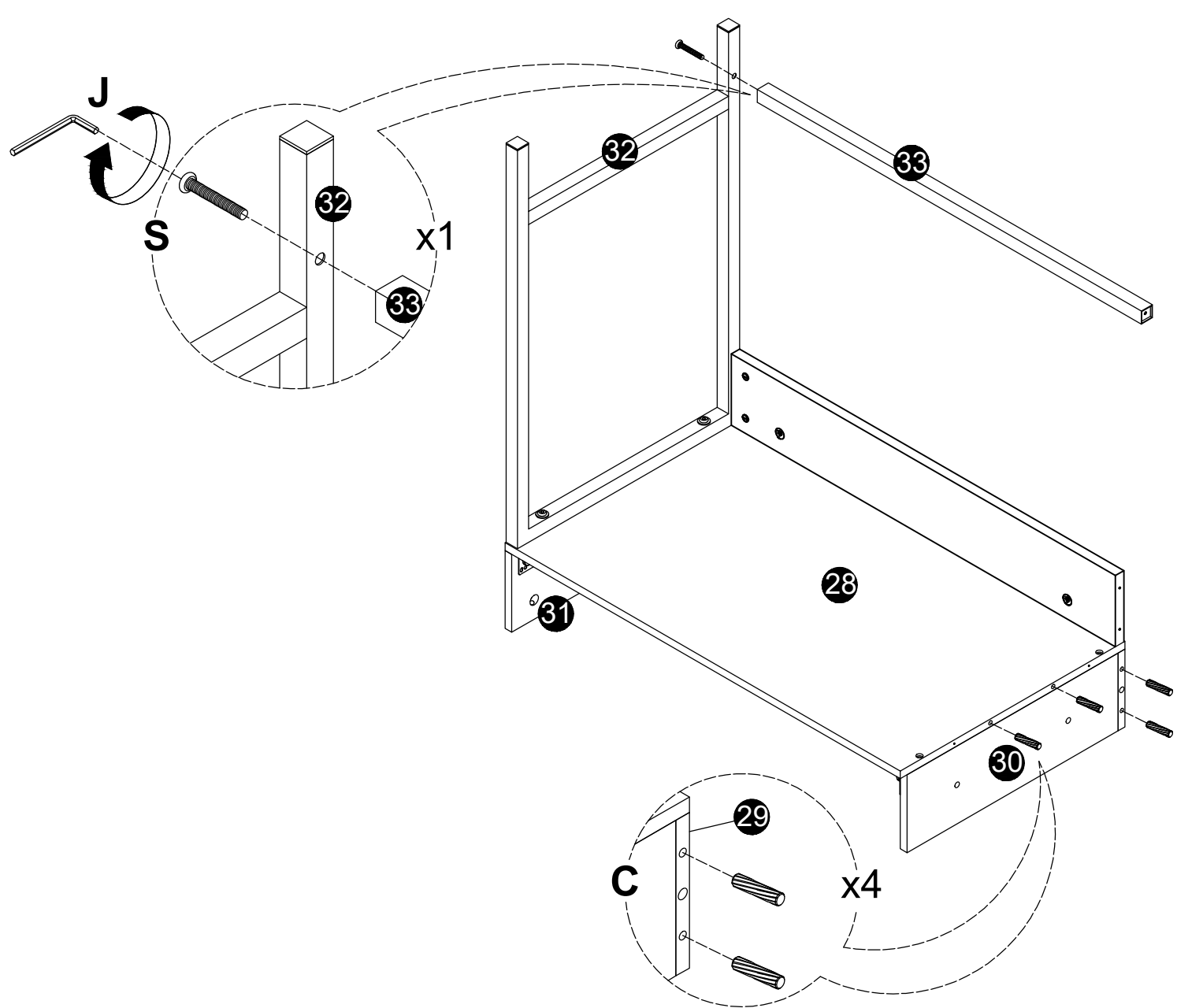



7




8

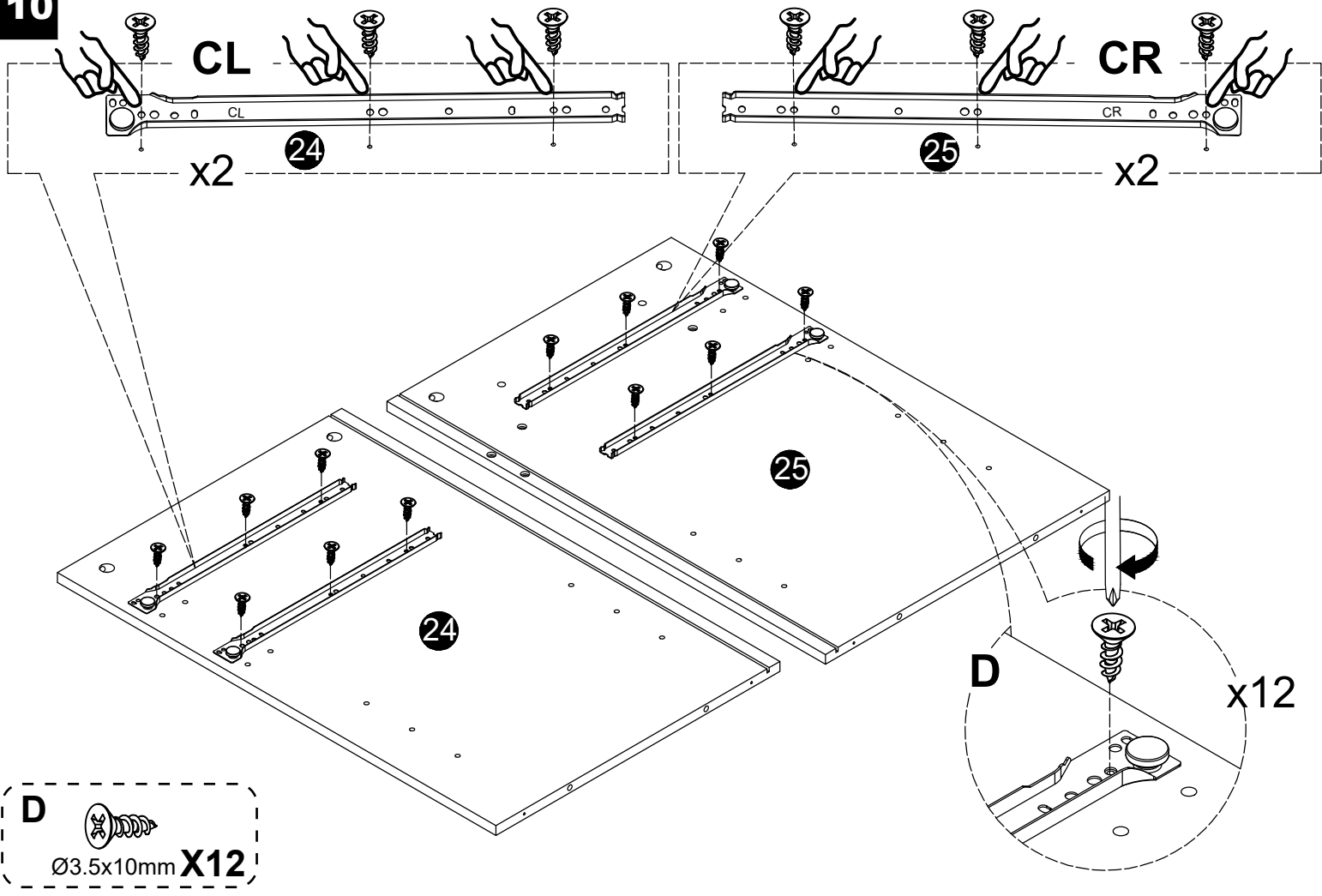




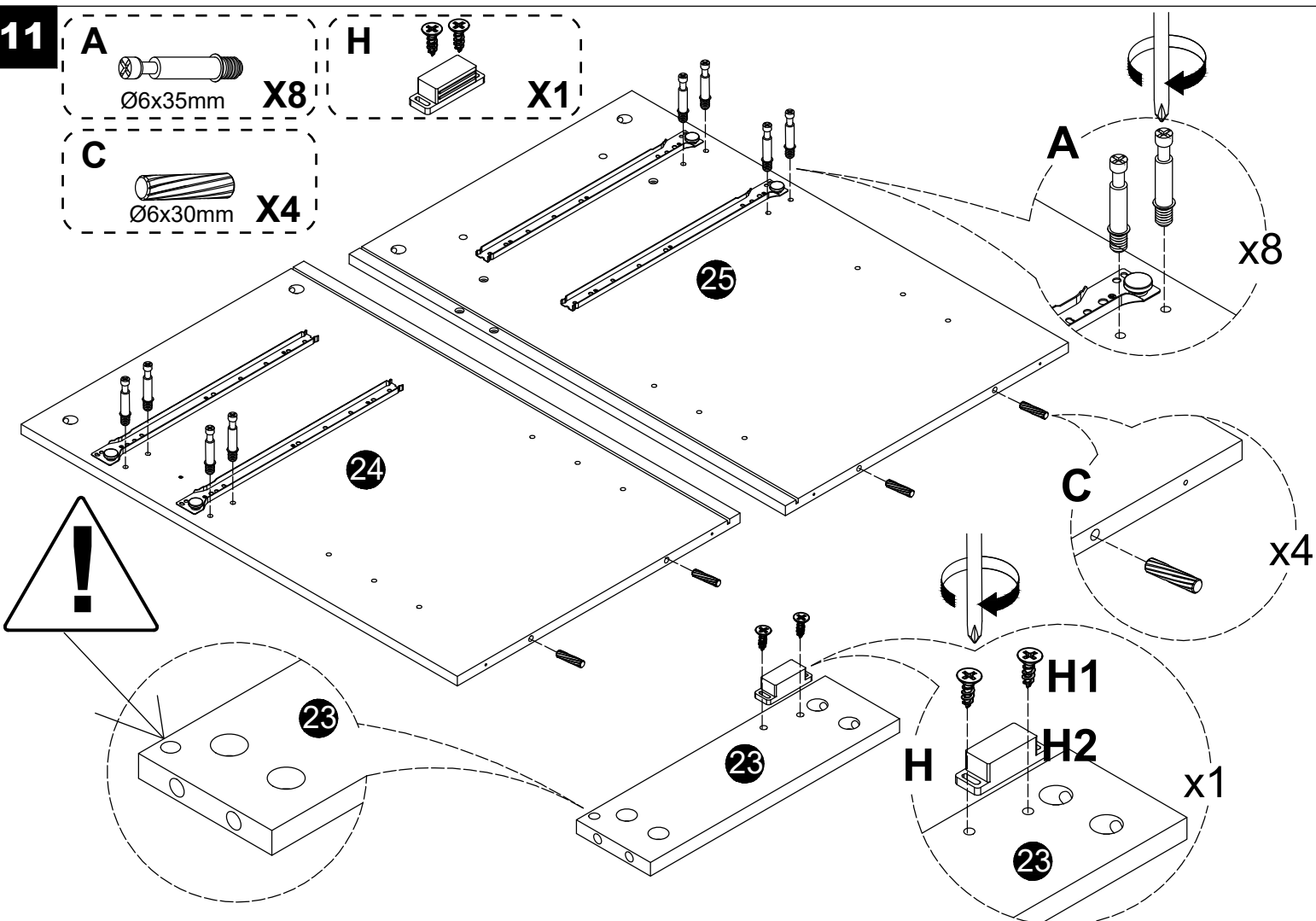
**C**   $\text{\O}6 \times 30\text{mm}$  **X4**

**S**   $\text{\O}6 \times 40\text{mm}$  **X1**

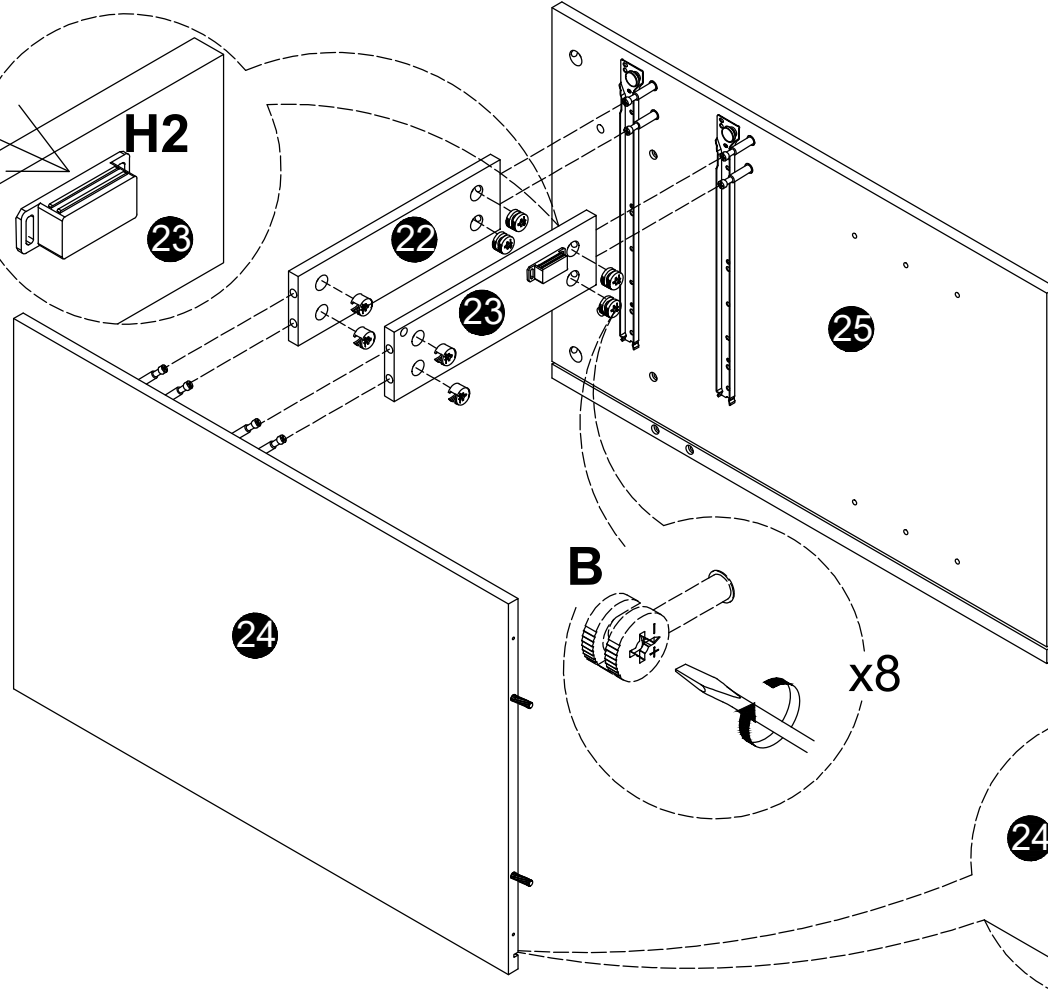
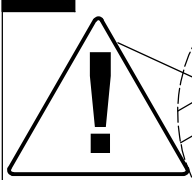
10

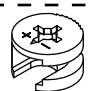


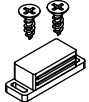
11




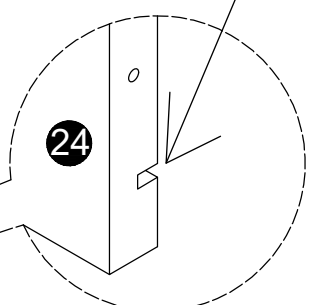
12



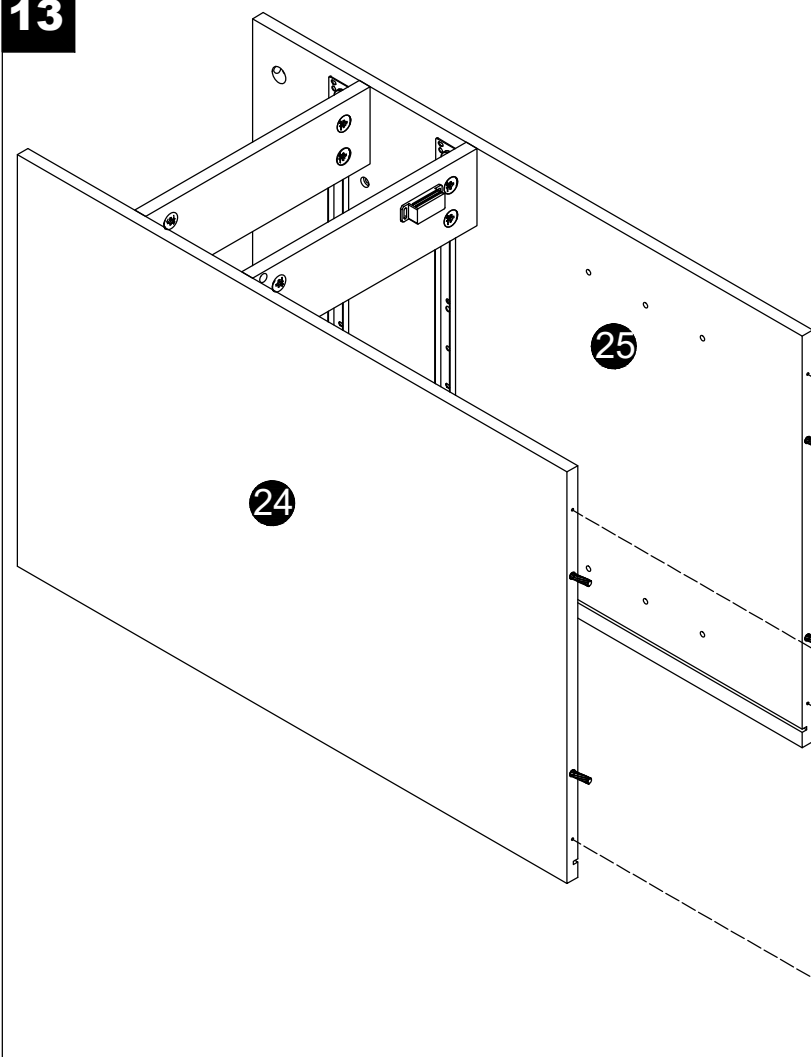
**B**   $\varnothing 15 \times 10 \text{mm}$  **X8**


**H**  **X1**

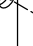
**B**  **x8**



13

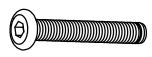


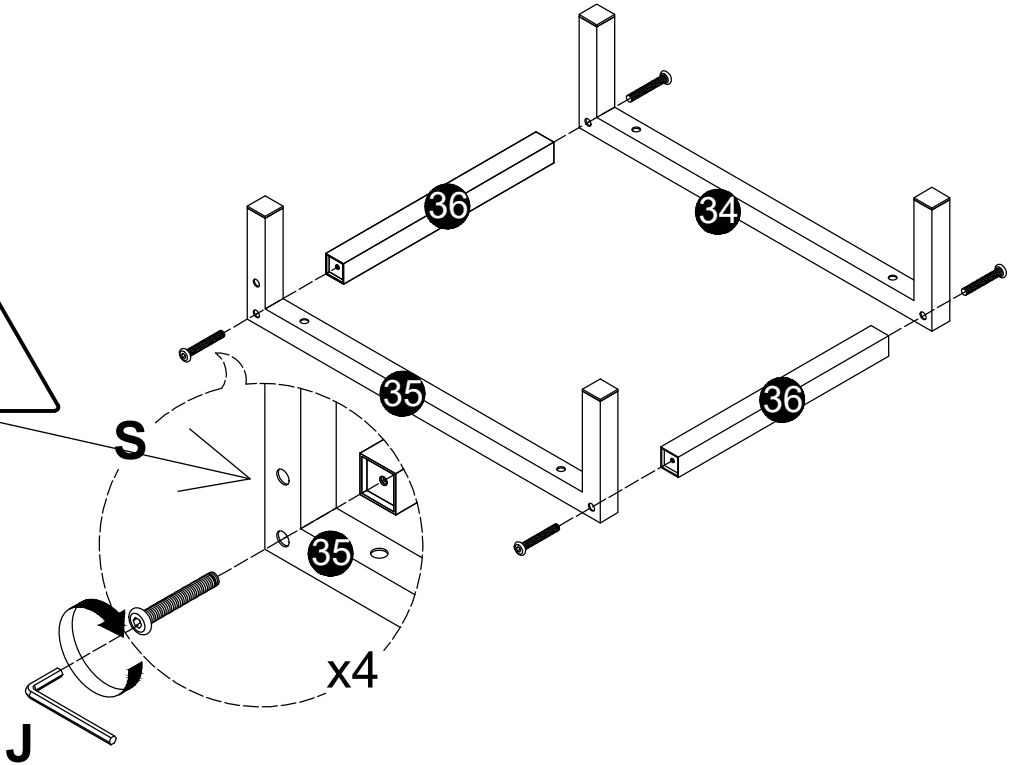
**F**   $\varnothing 4 \times 35 \text{mm}$  **X4**

**F** **20**  **x4**

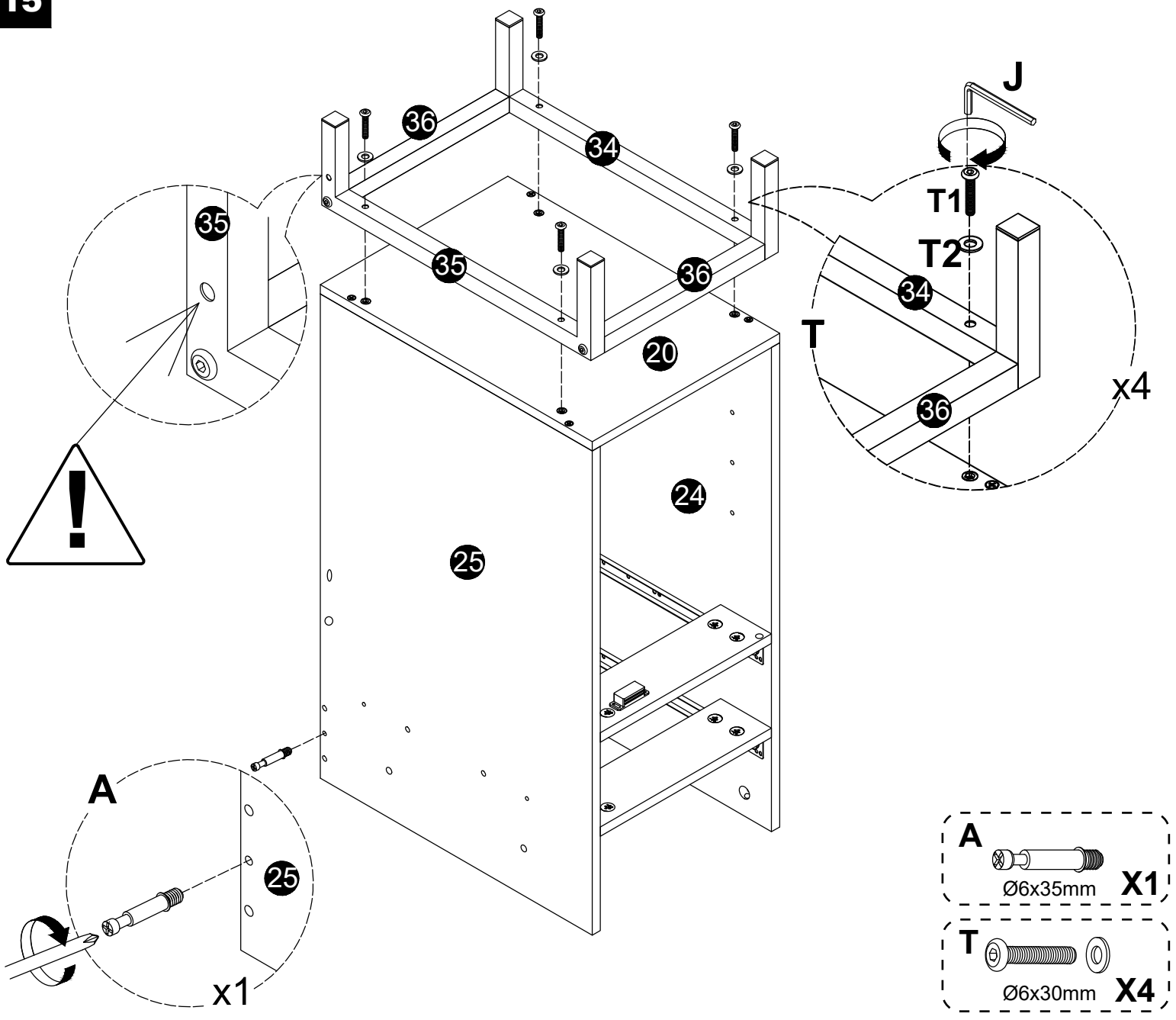
90°

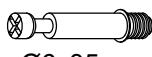

14



S  Ø6x40mm X4

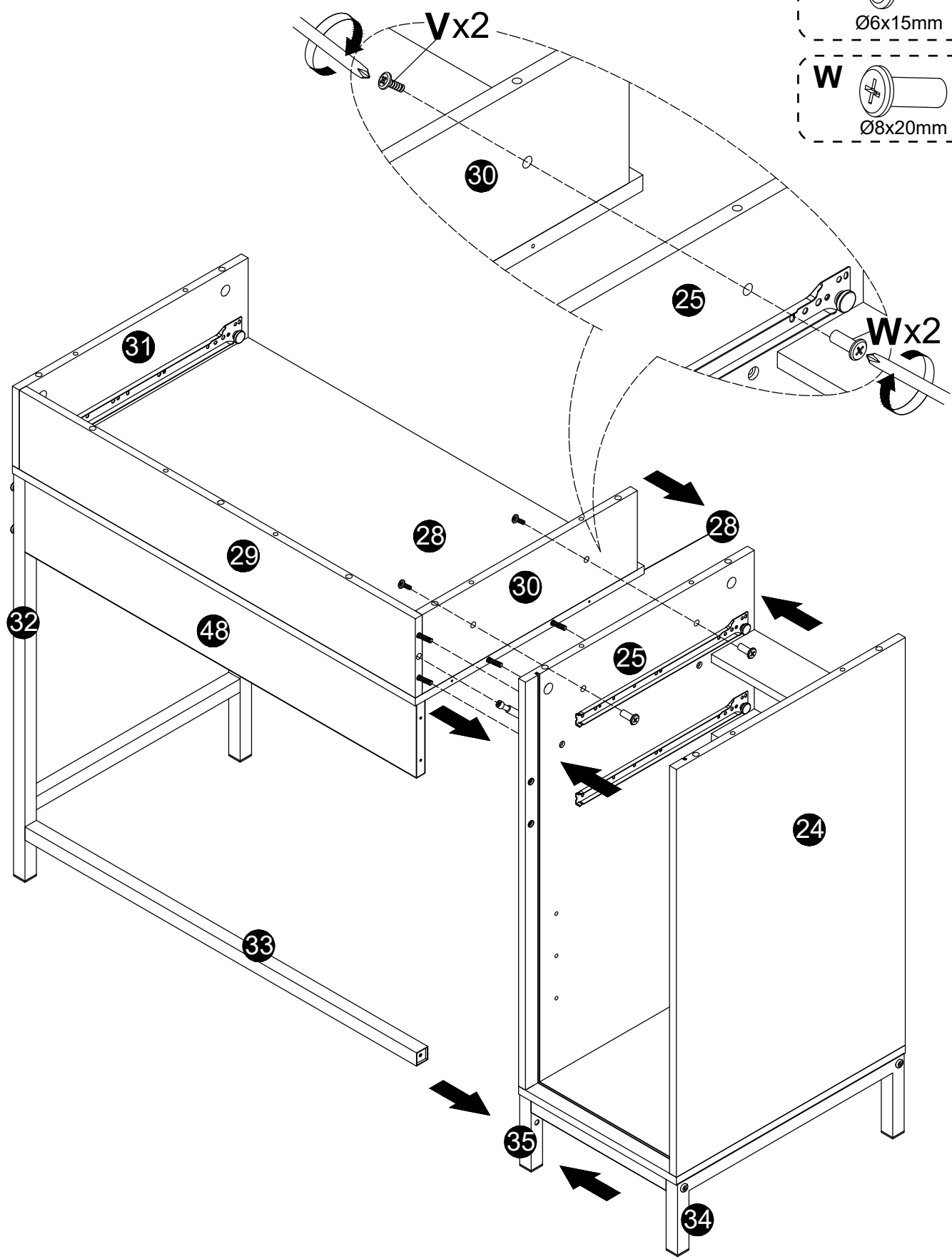




15

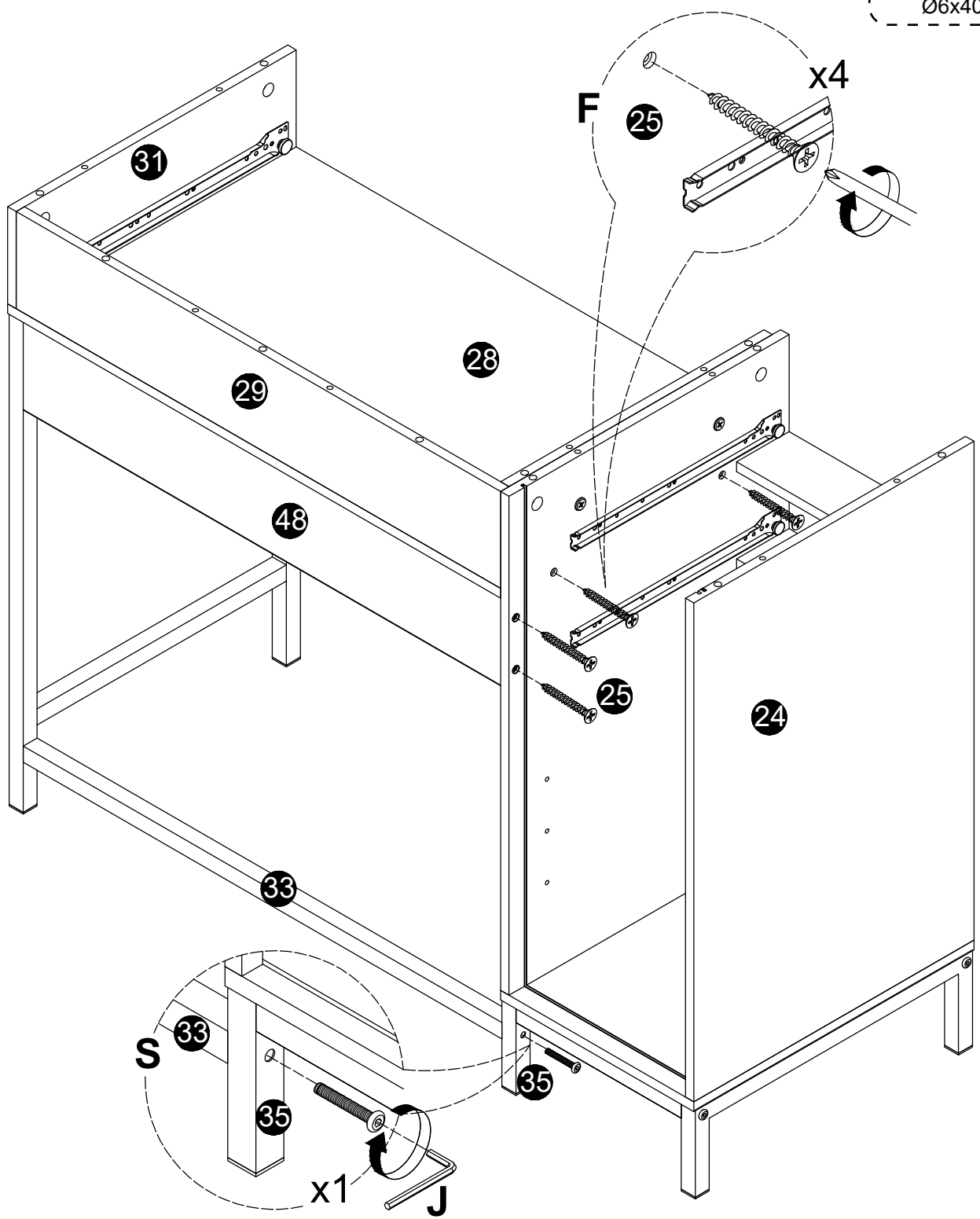


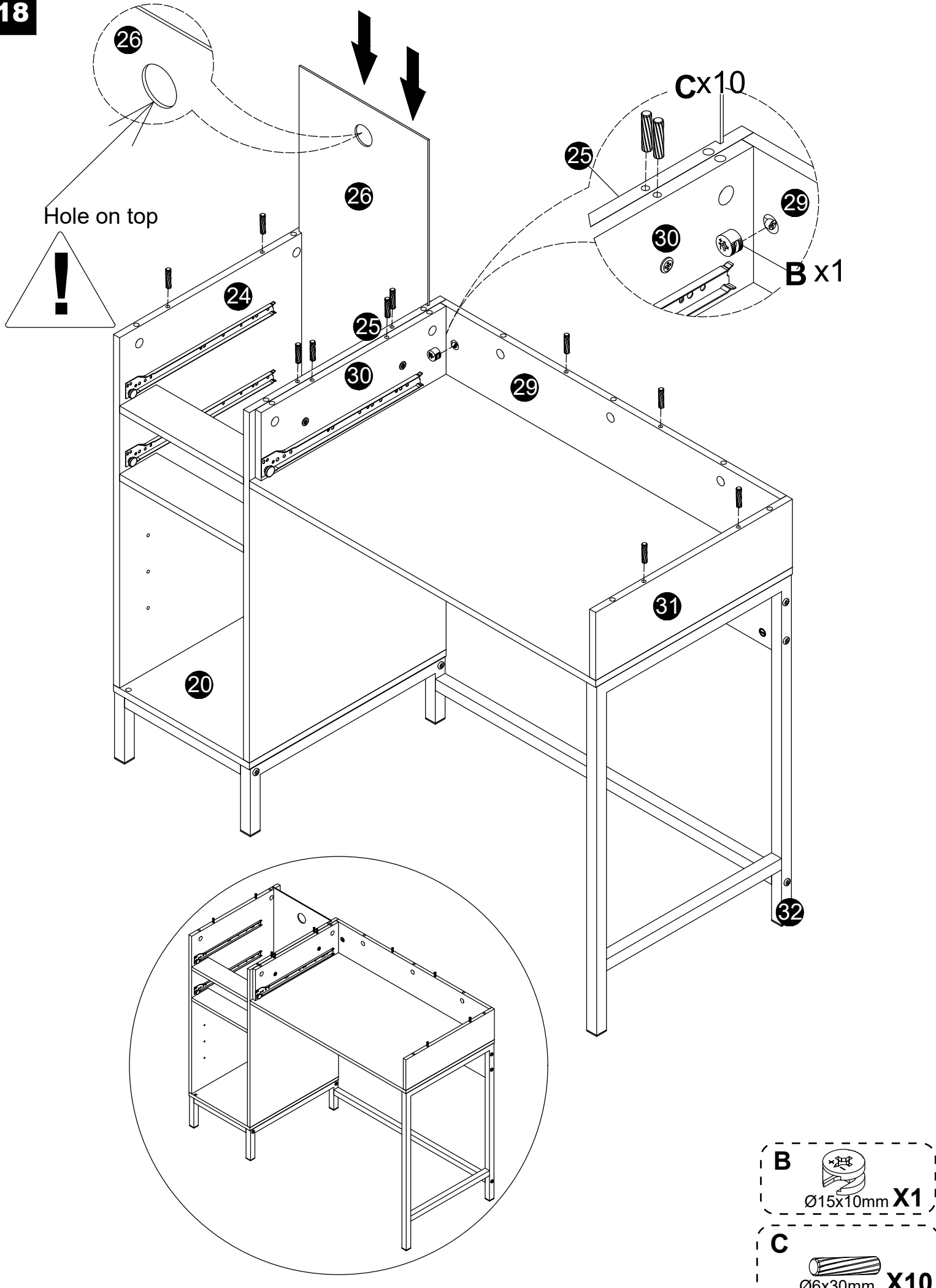
A  Ø6x35mm X1  
T  Ø6x30mm X4

- V**  Ø6x15mm **X2**
- W**  Ø8x20mm **X2**

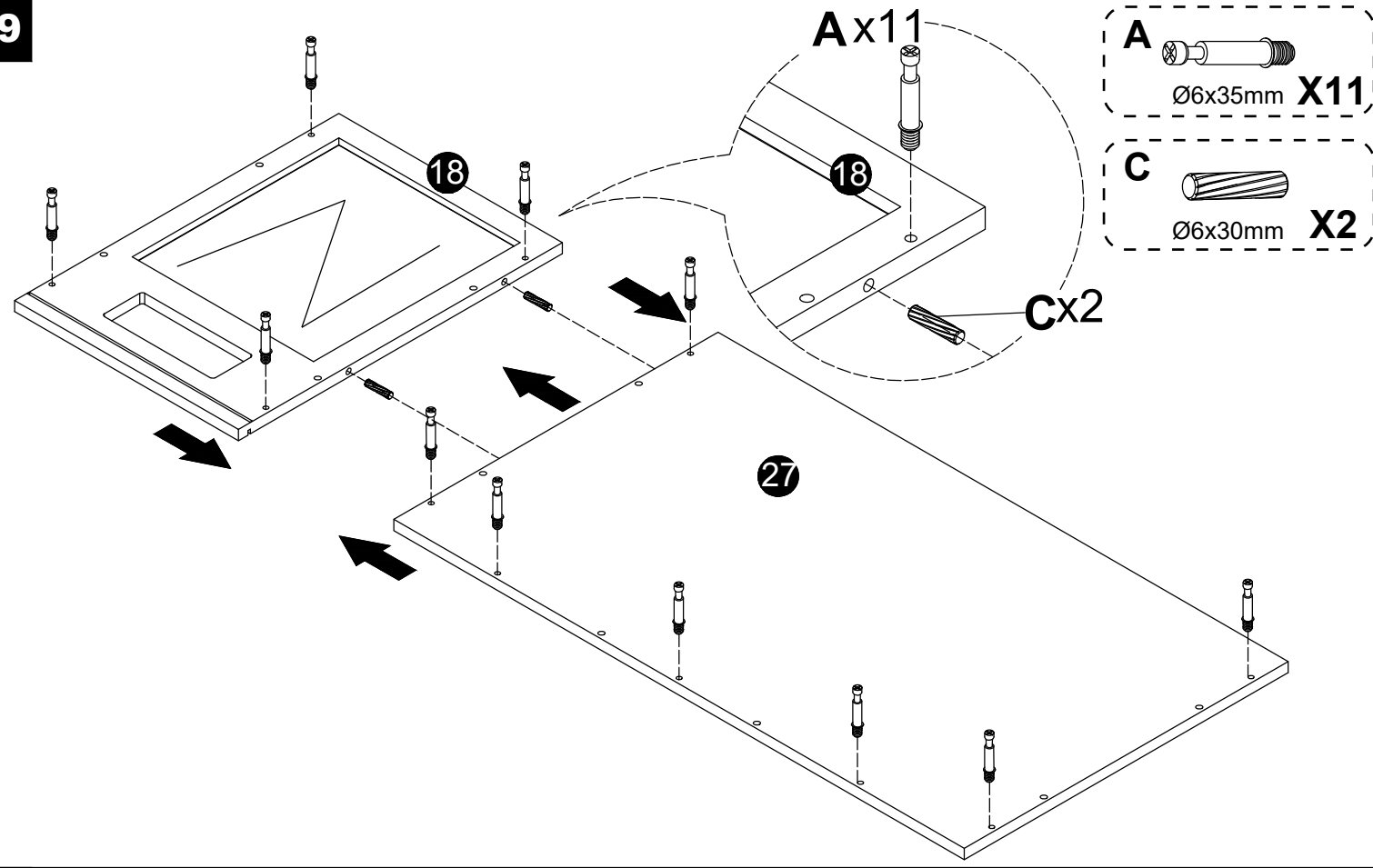


- F**  Ø4x35mm **X4**
- S**  Ø6x40mm **X1**

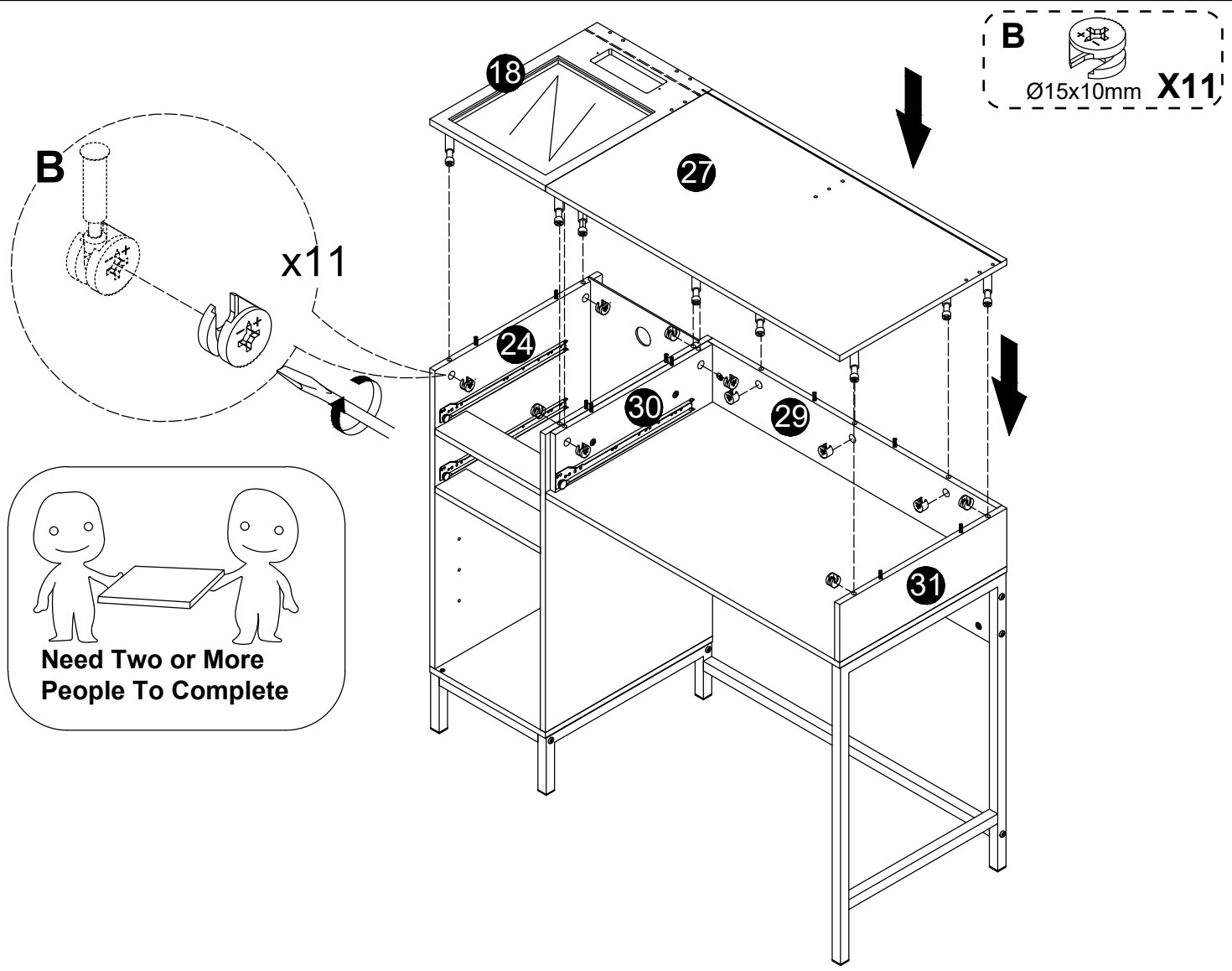




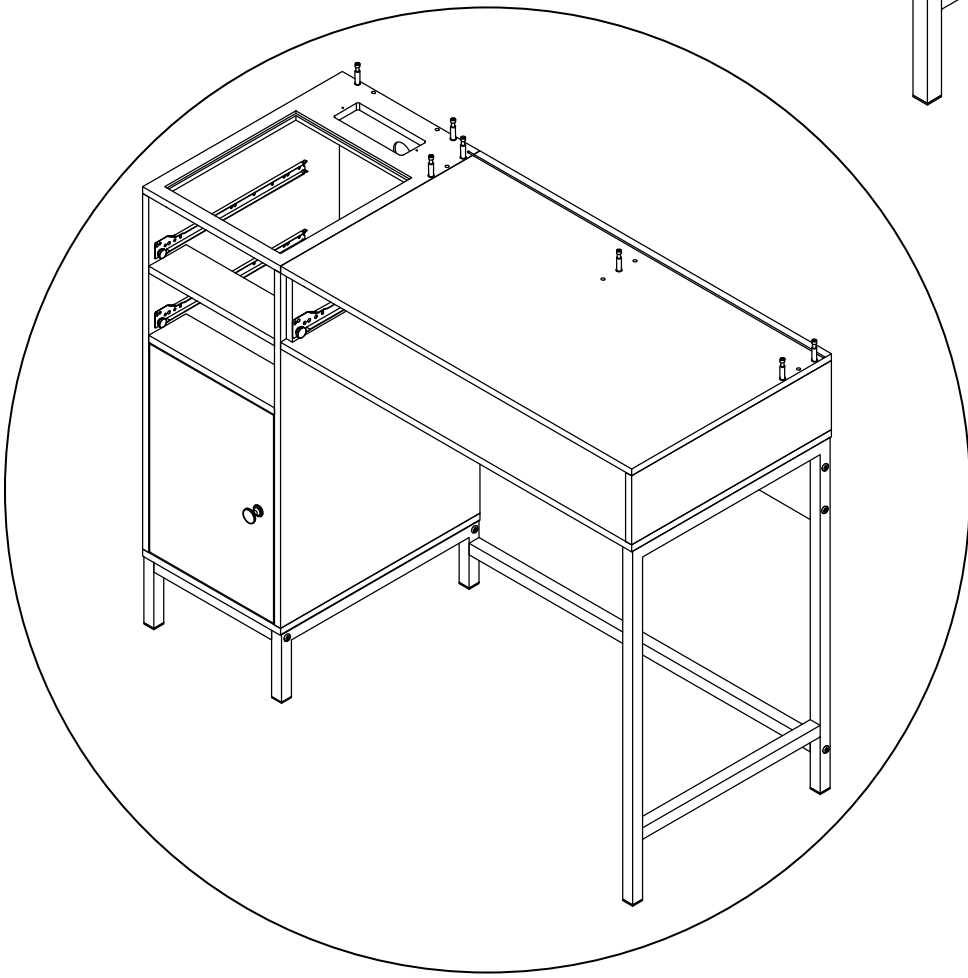
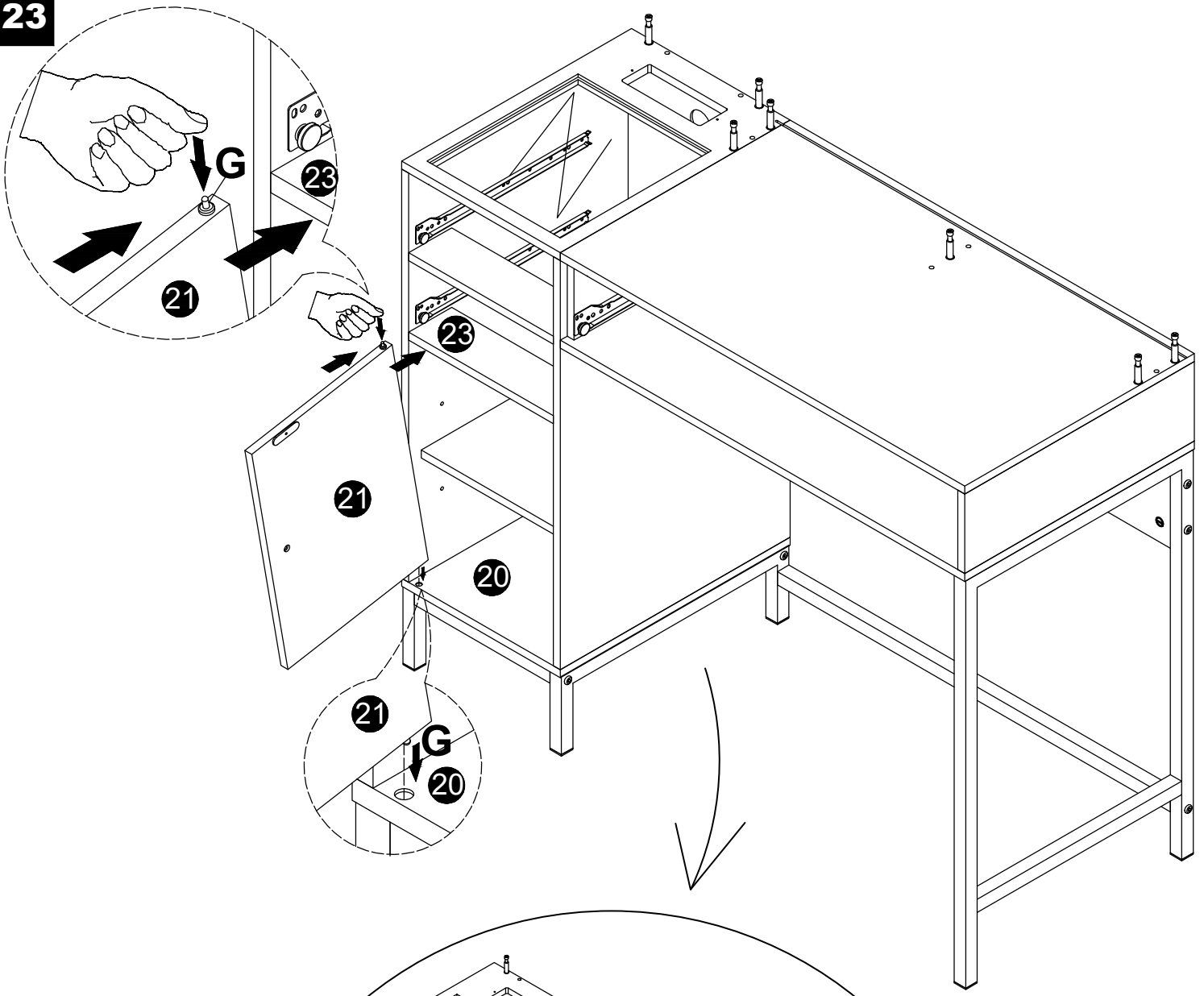
19



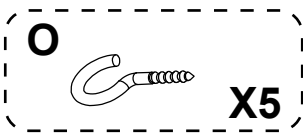
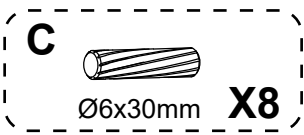
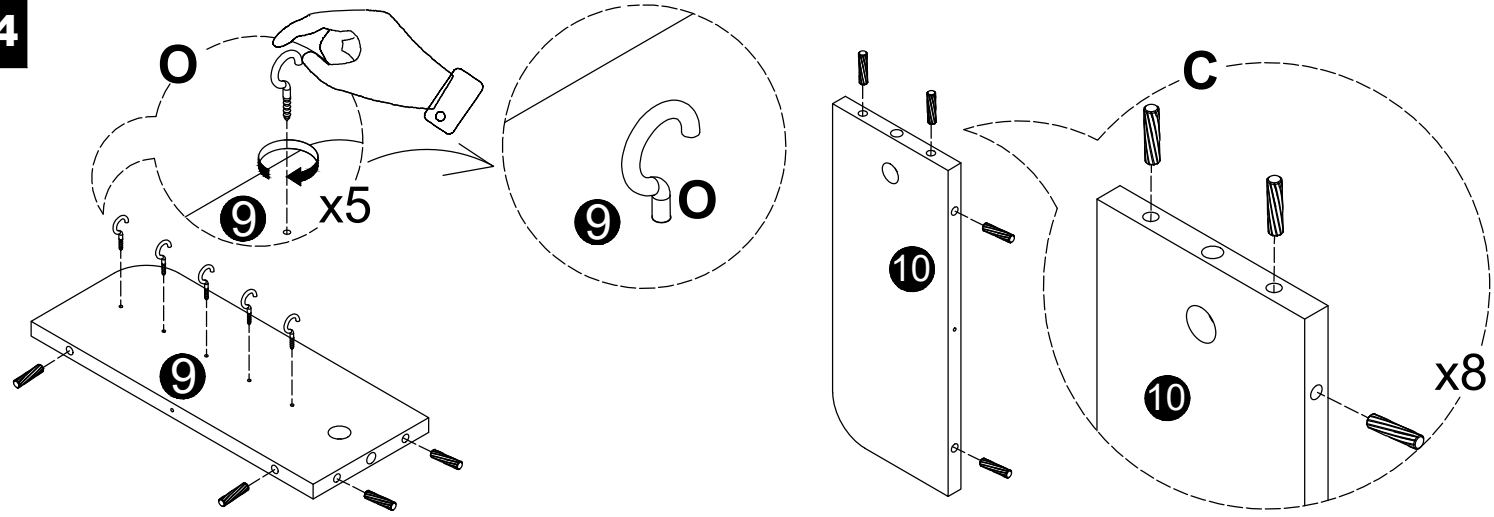
20



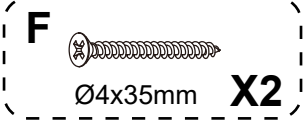
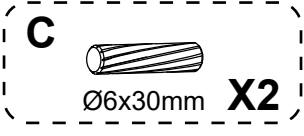
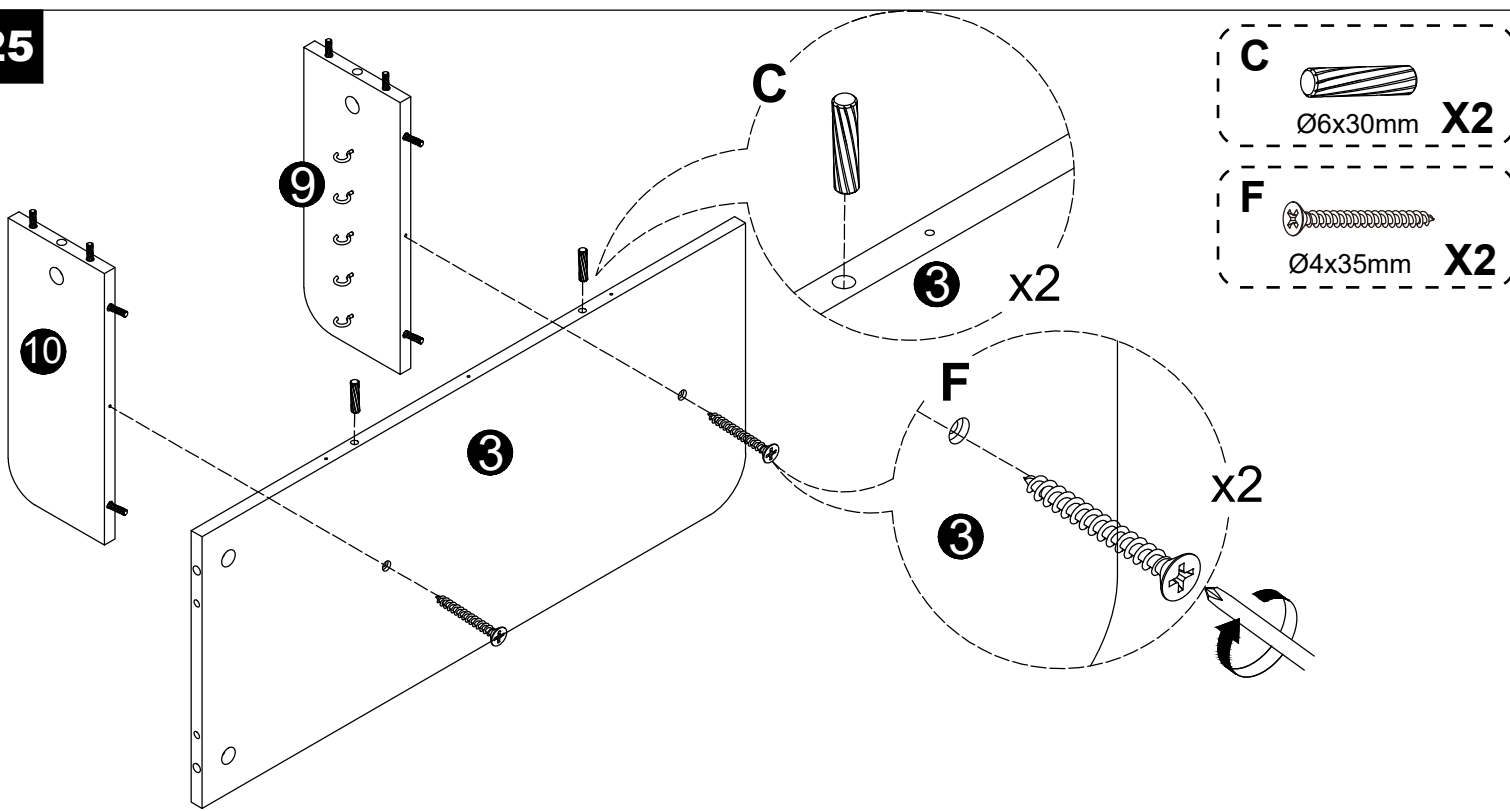




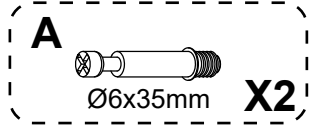
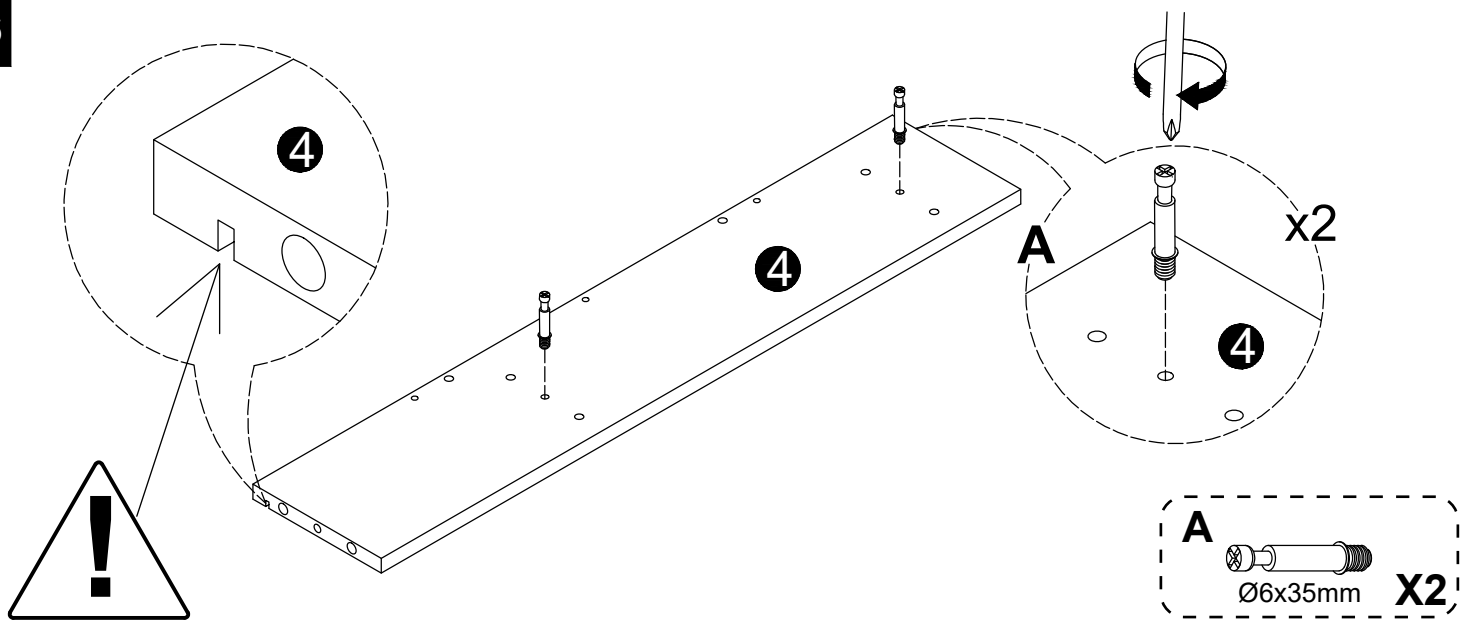
24





25

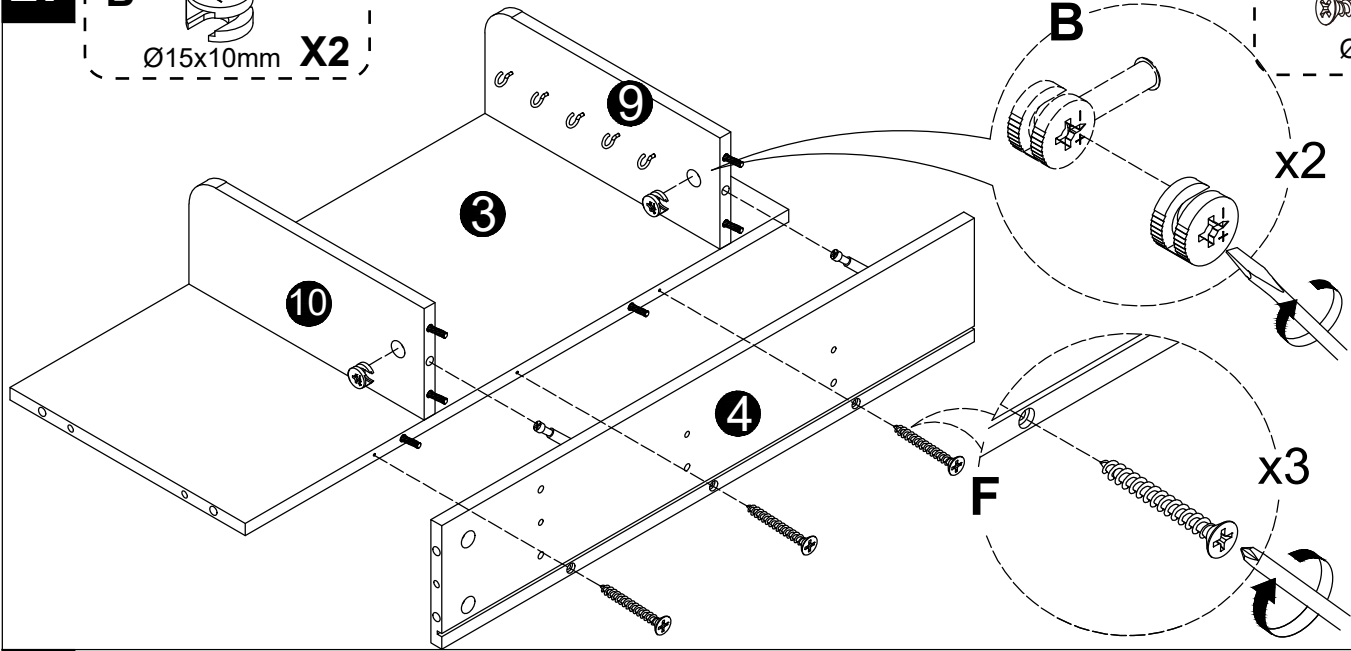


26

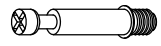


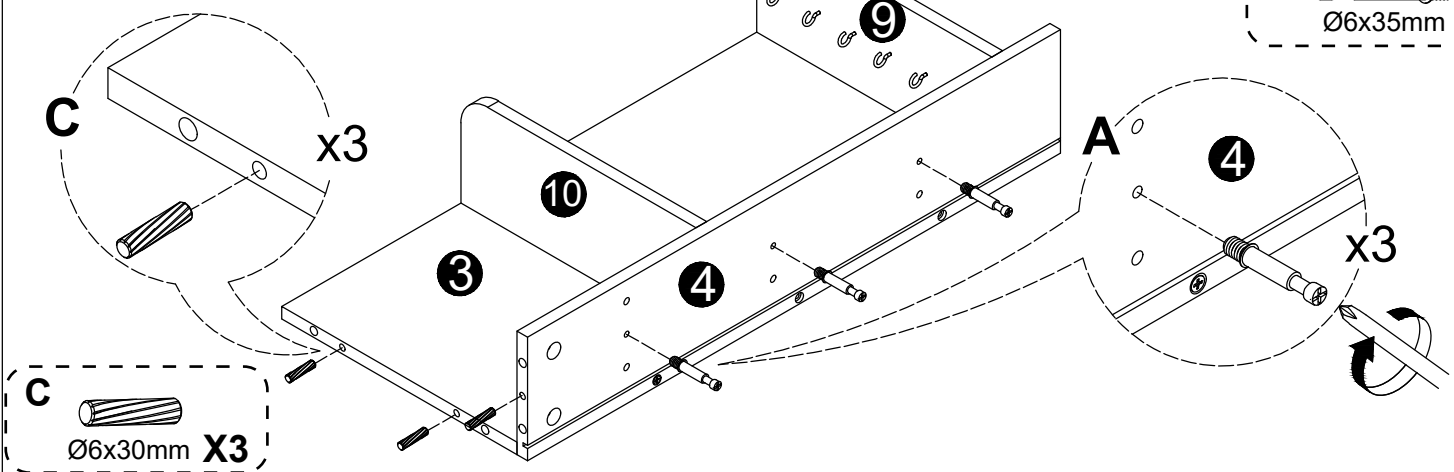
**27** **B**   $\varnothing 15 \times 10 \text{mm}$  **X2**

**F**   $\varnothing 4 \times 35 \text{mm}$  **X3**

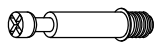


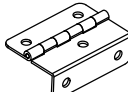
**28**

**A**   $\varnothing 6 \times 35 \text{mm}$  **X3**

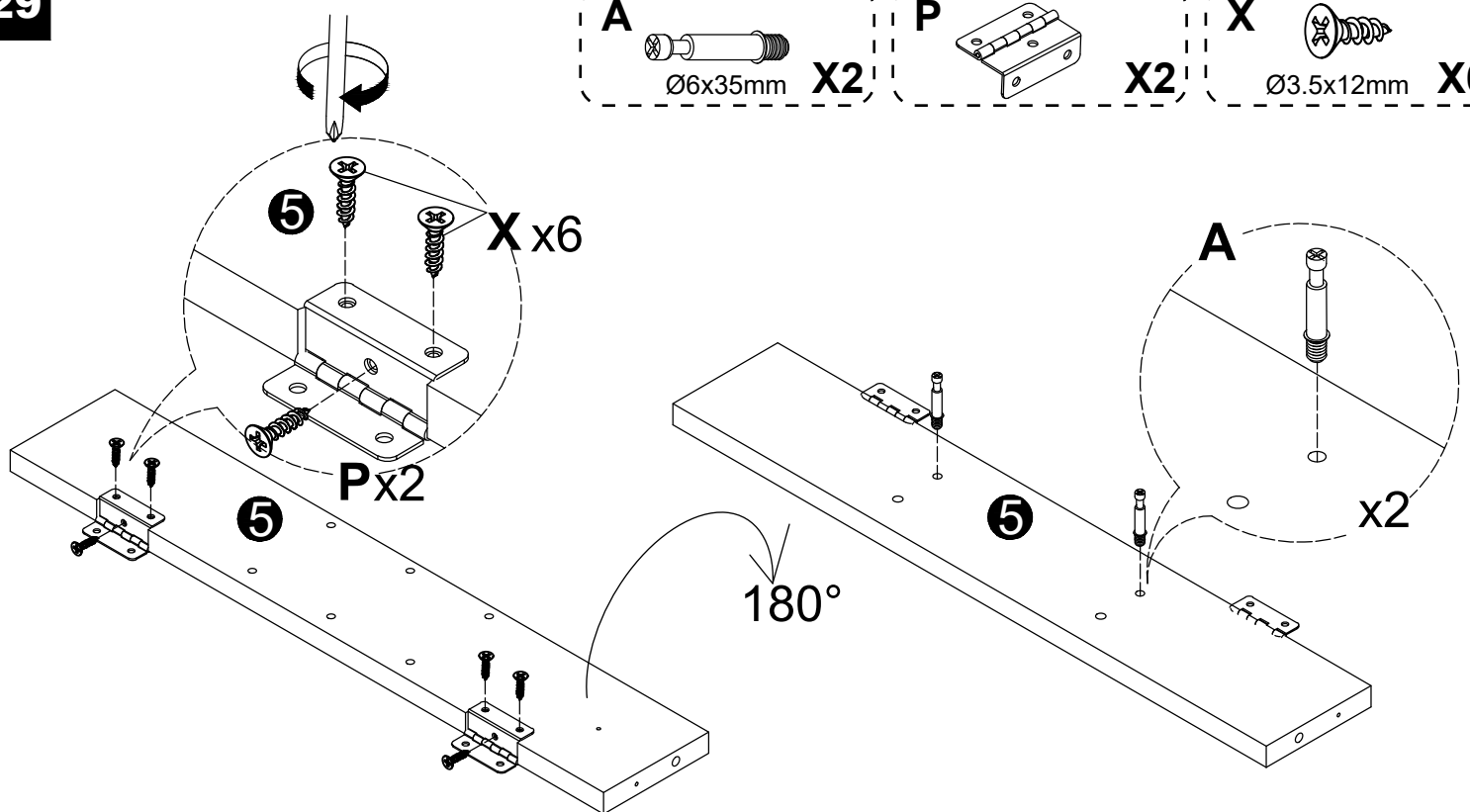


**29**

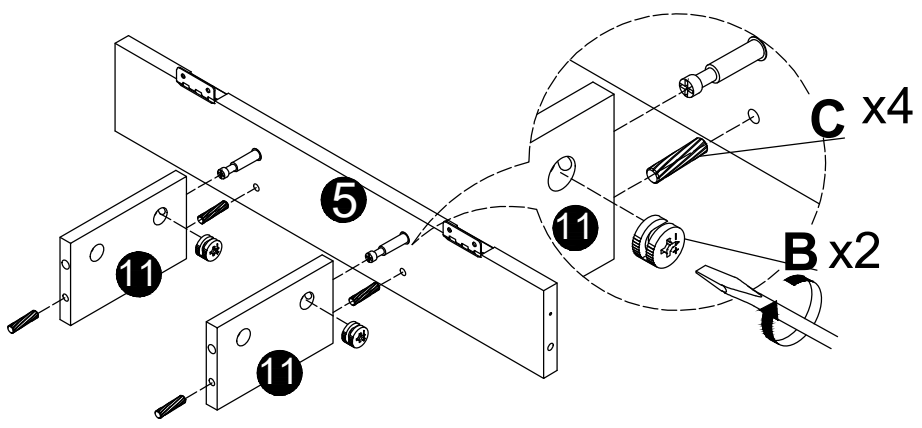
**A**   $\varnothing 6 \times 35 \text{mm}$  **X2**



**P**  **X2**

**X**   $\varnothing 3.5 \times 12 \text{mm}$  **X6**

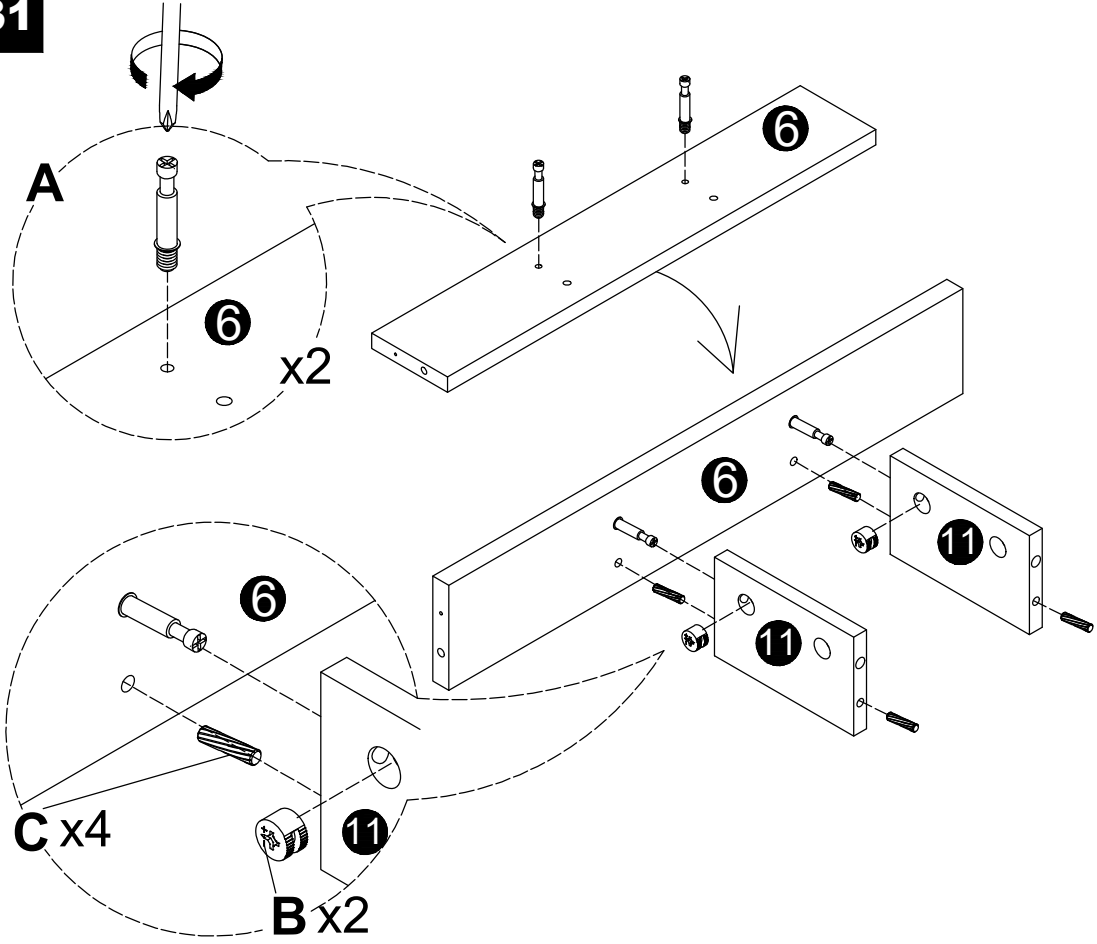


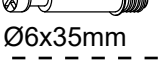


30



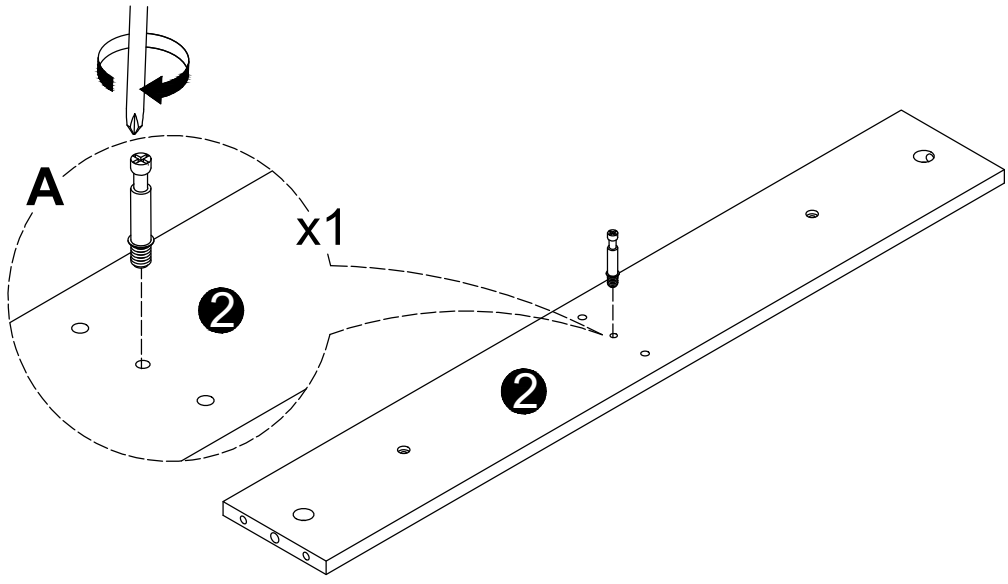
- B**   $\text{\O}15 \times 10 \text{mm}$  **X2**
- C**   $\text{\O}6 \times 30 \text{mm}$  **X4**

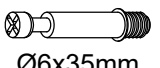
31

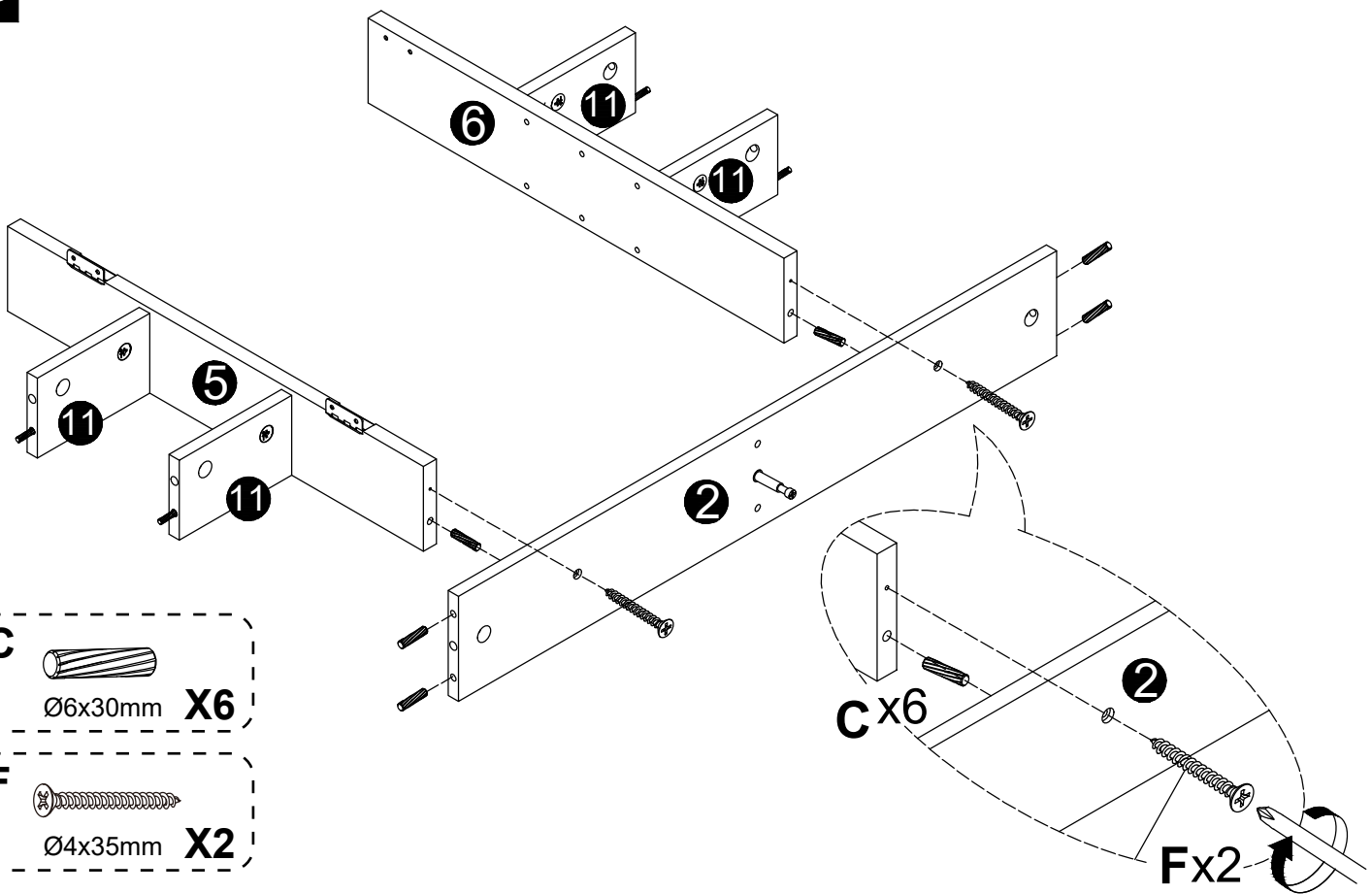



- A**   $\text{\O}6 \times 35 \text{mm}$  **X2**
- B**   $\text{\O}15 \times 10 \text{mm}$  **X2**
- C**   $\text{\O}6 \times 30 \text{mm}$  **X4**


32

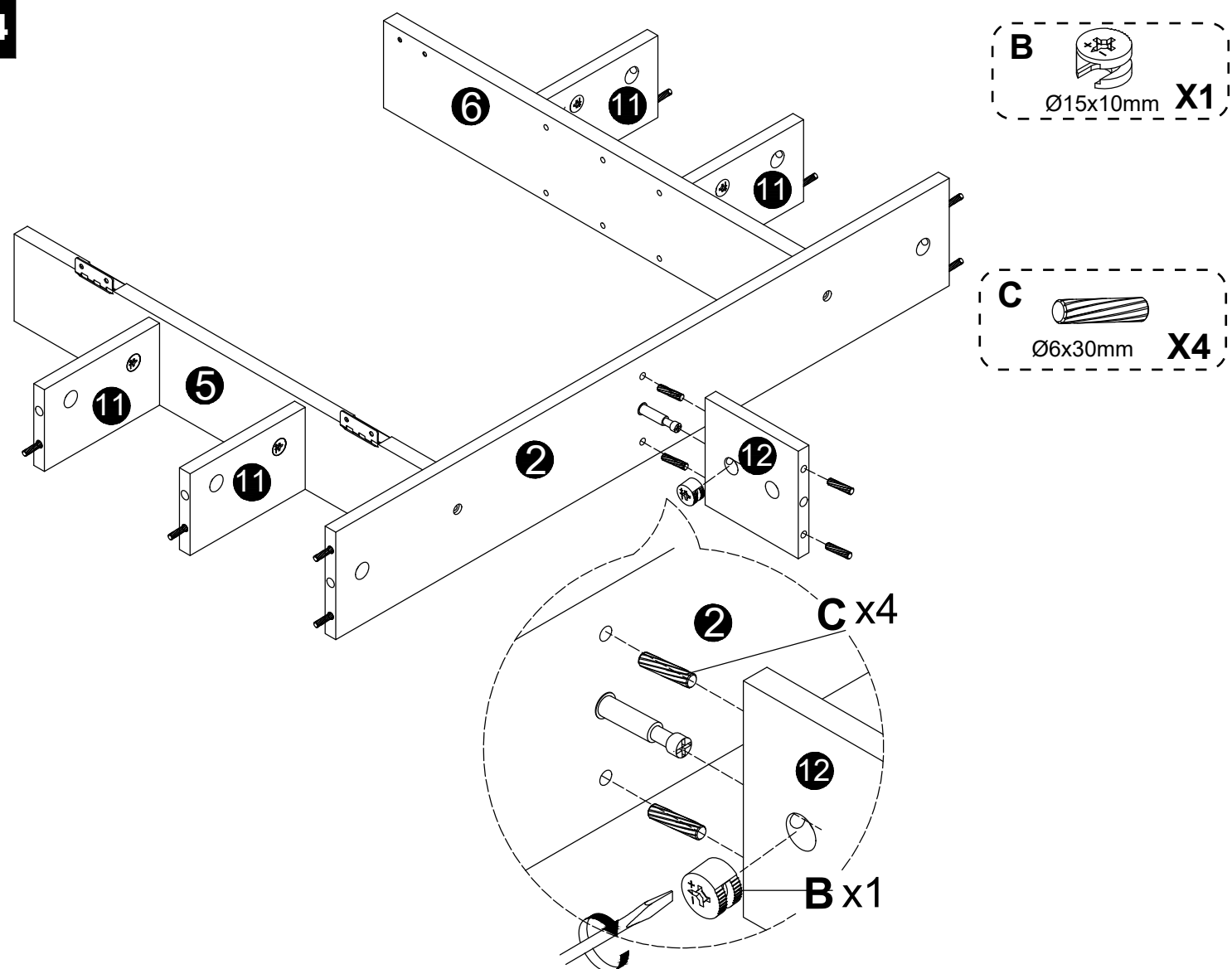



- A**   $\text{\O}6 \times 35 \text{mm}$  **X1**




**C**   $\text{\O}6 \times 30\text{mm}$  X6

**F**   $\text{\O}4 \times 35\text{mm}$  X2

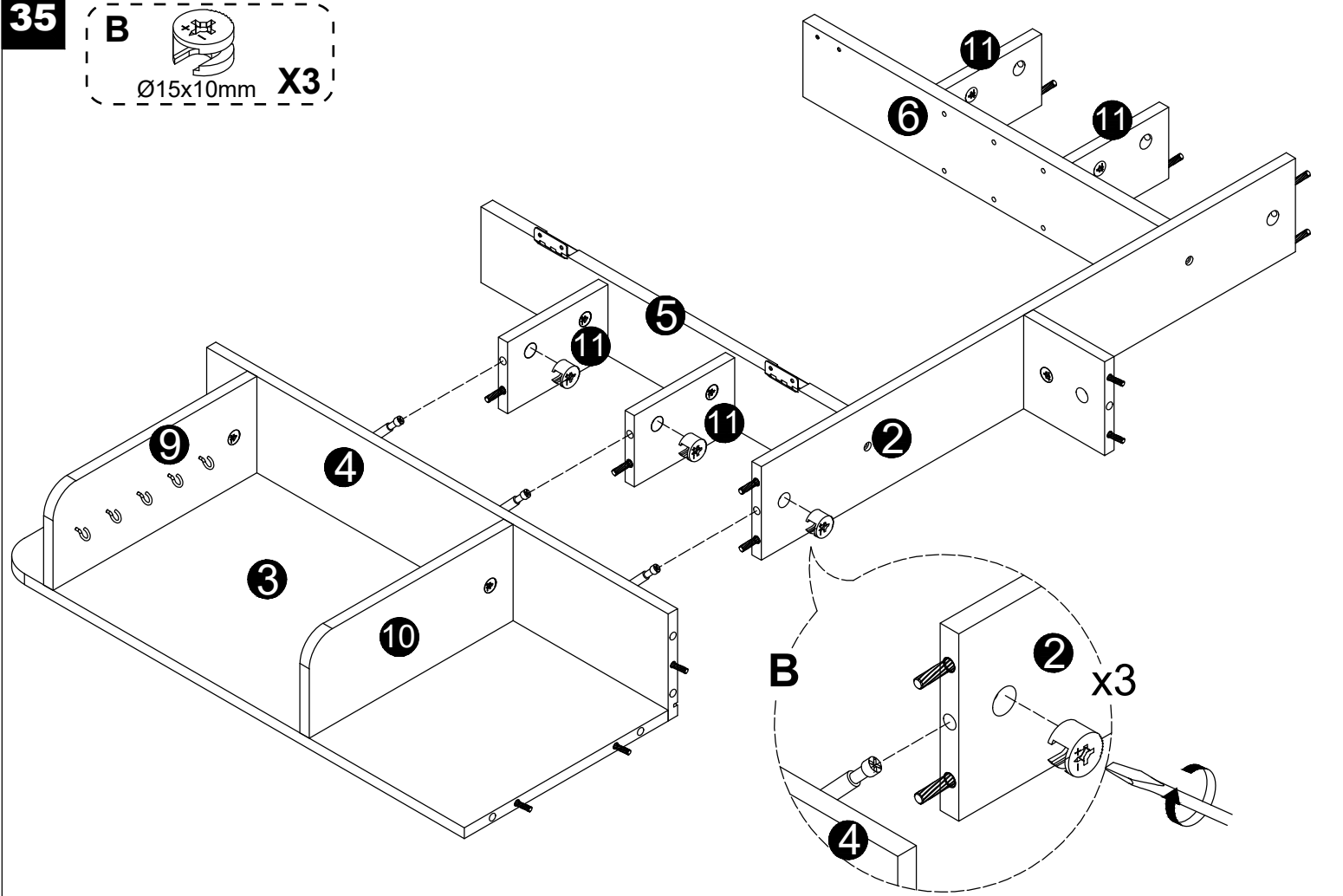


**B**   $\text{\O}15 \times 10\text{mm}$  X1

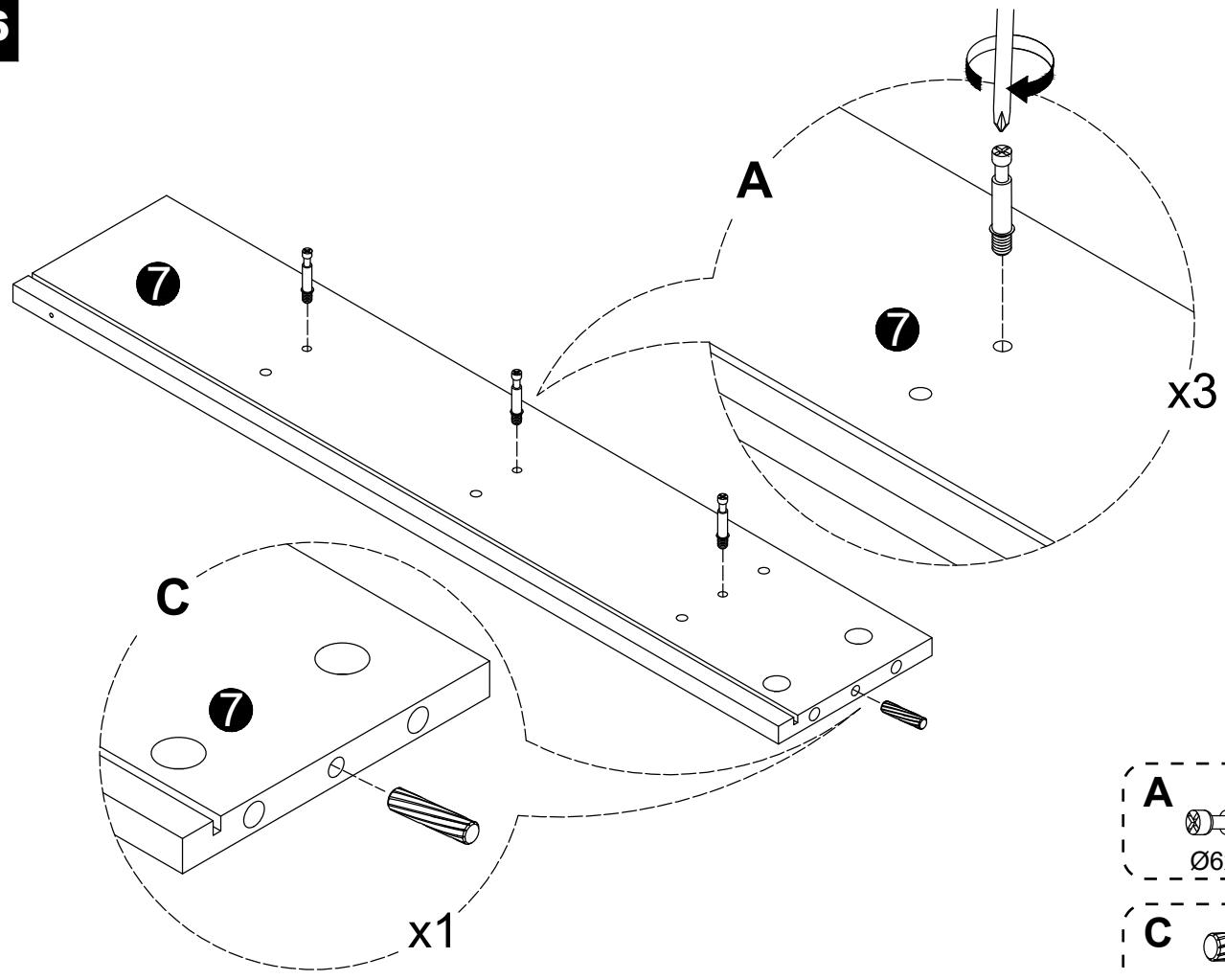
**C**   $\text{\O}6 \times 30\text{mm}$  X4

35

**B**  
Ø15x10mm **X3**




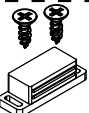
36

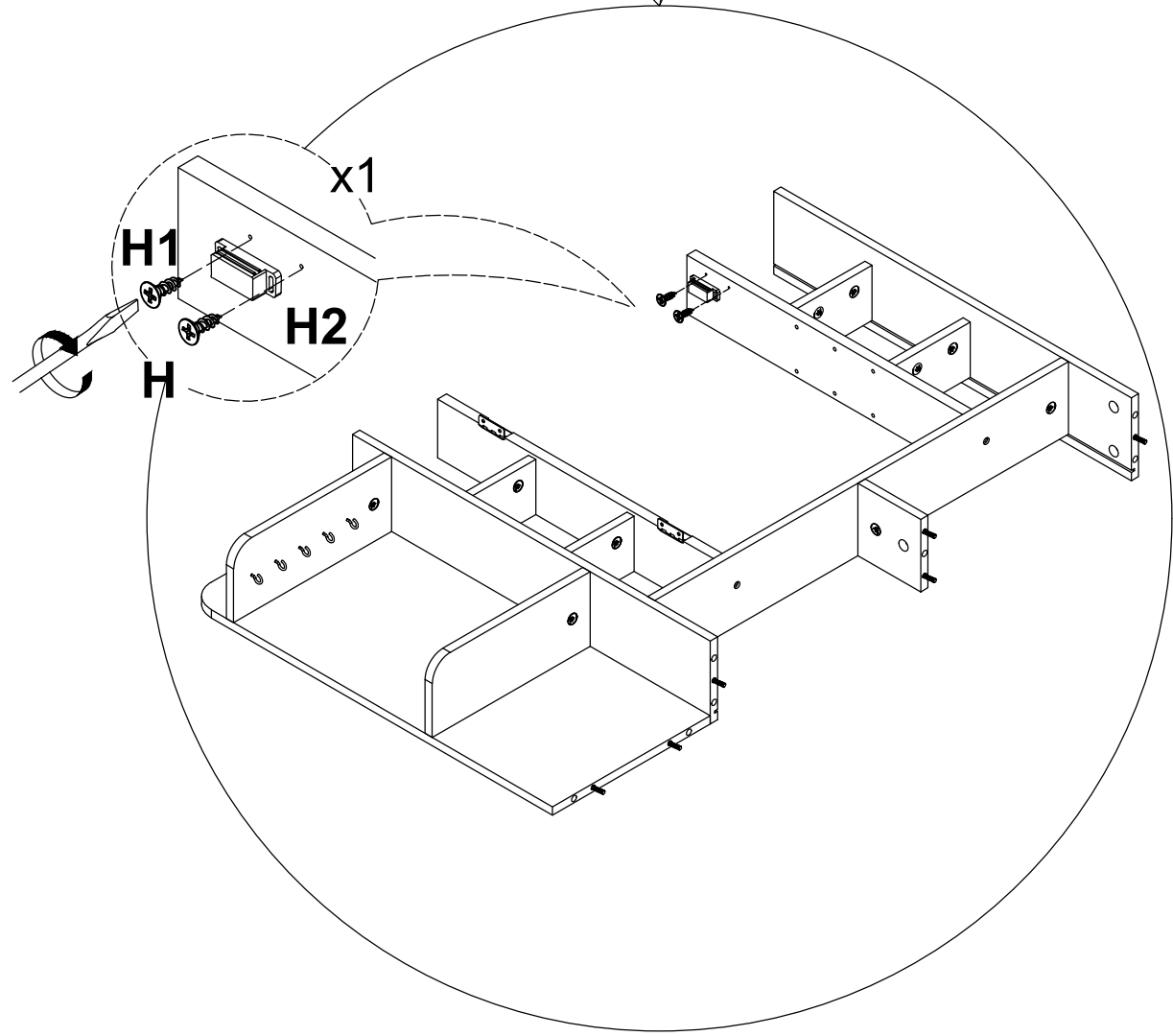
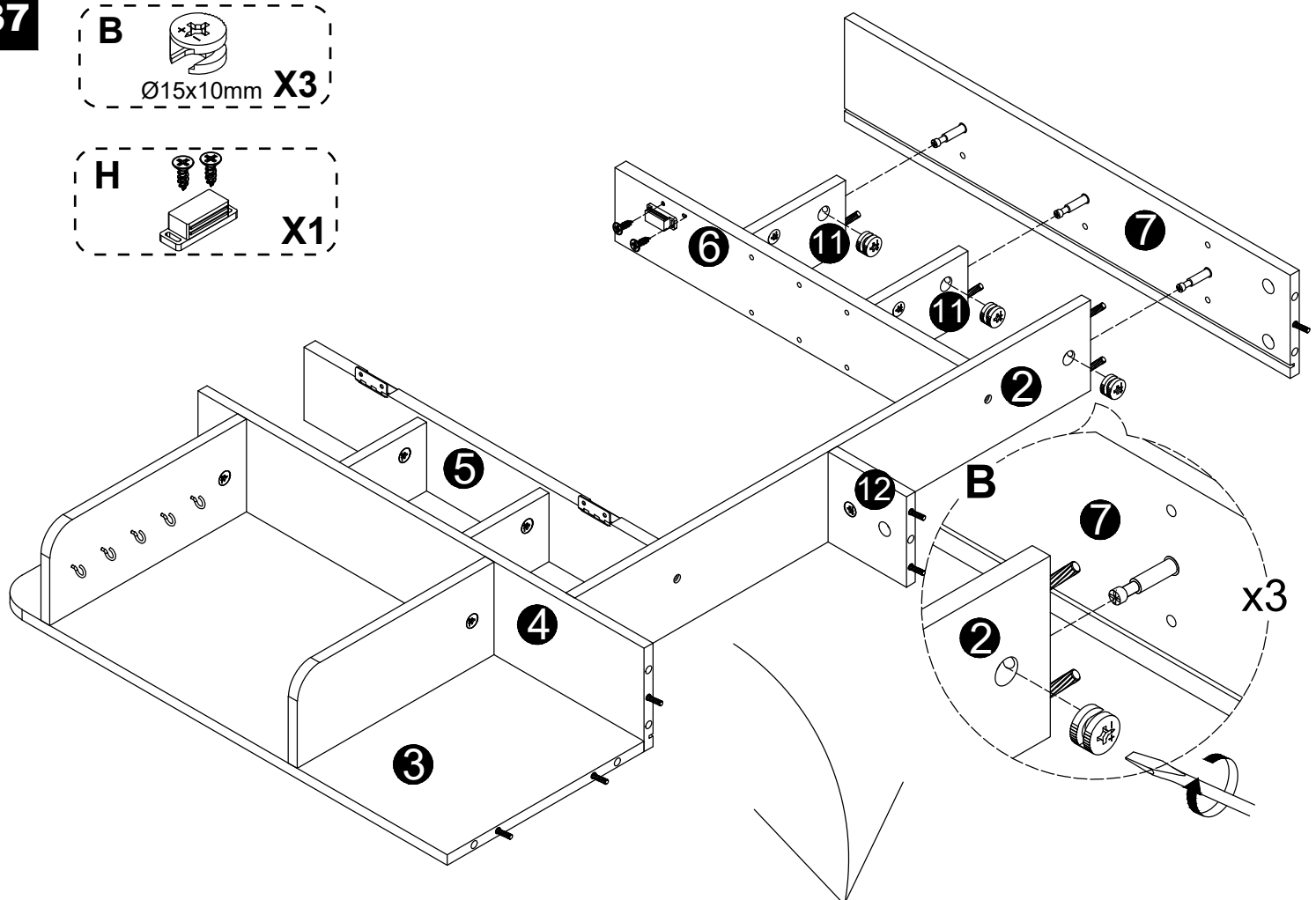


**A**  
Ø6x35mm **X3**

**C**  
Ø6x30mm **X1**

**B**  Ø15x10mm **X3**

**H**  **X1**

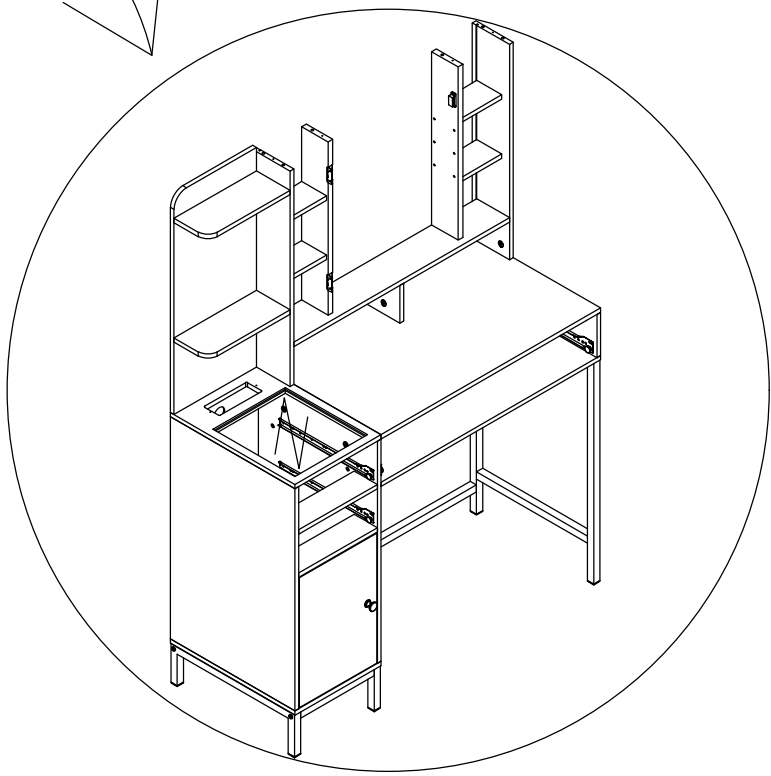
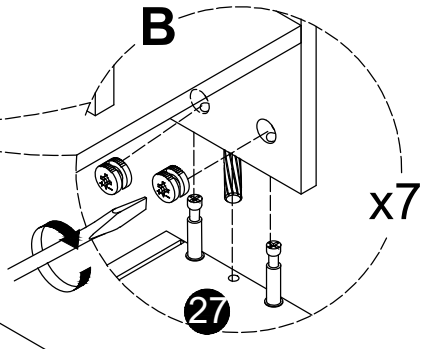
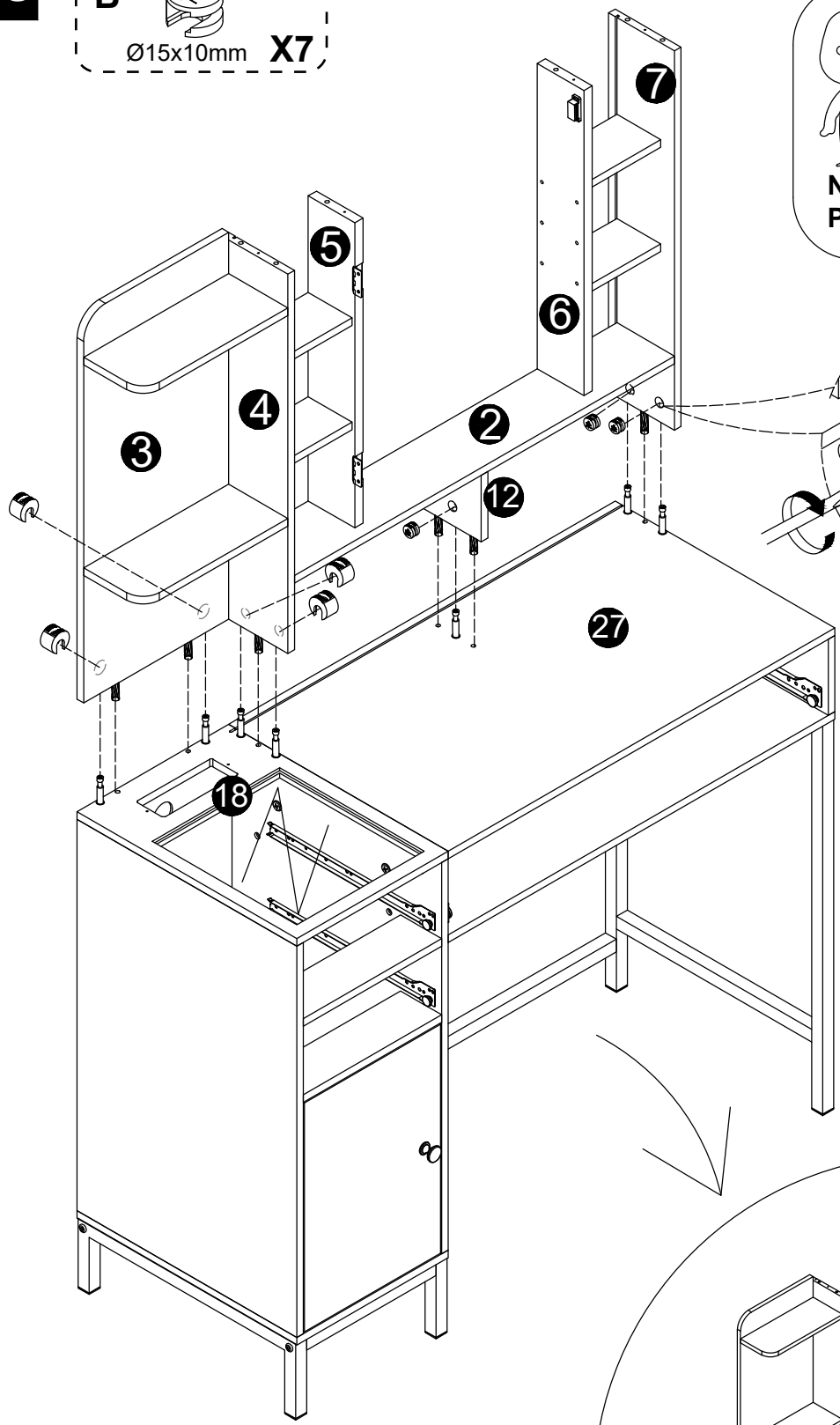
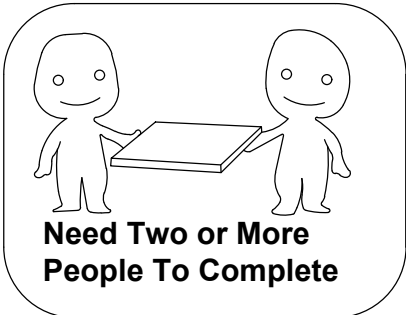


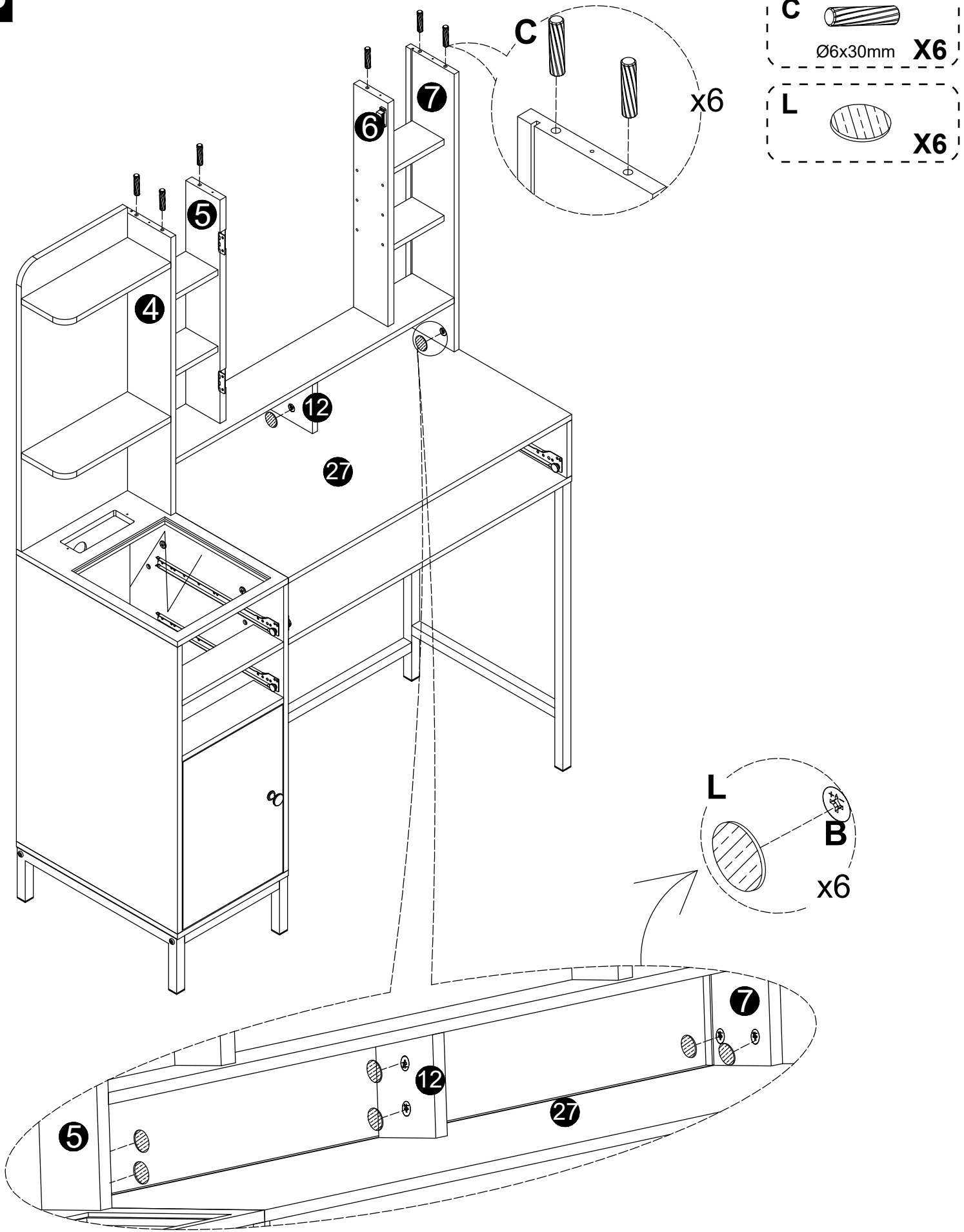
B

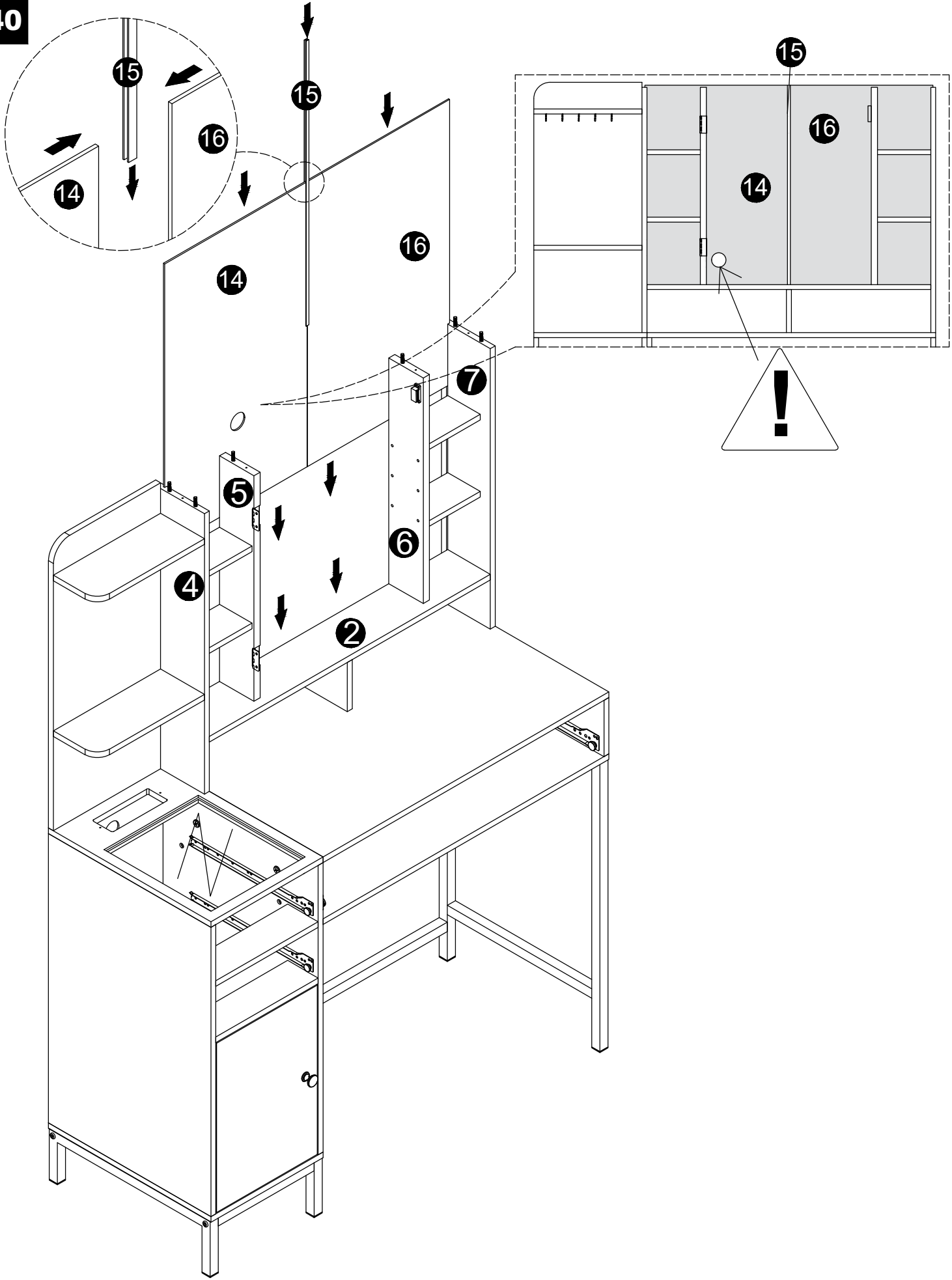


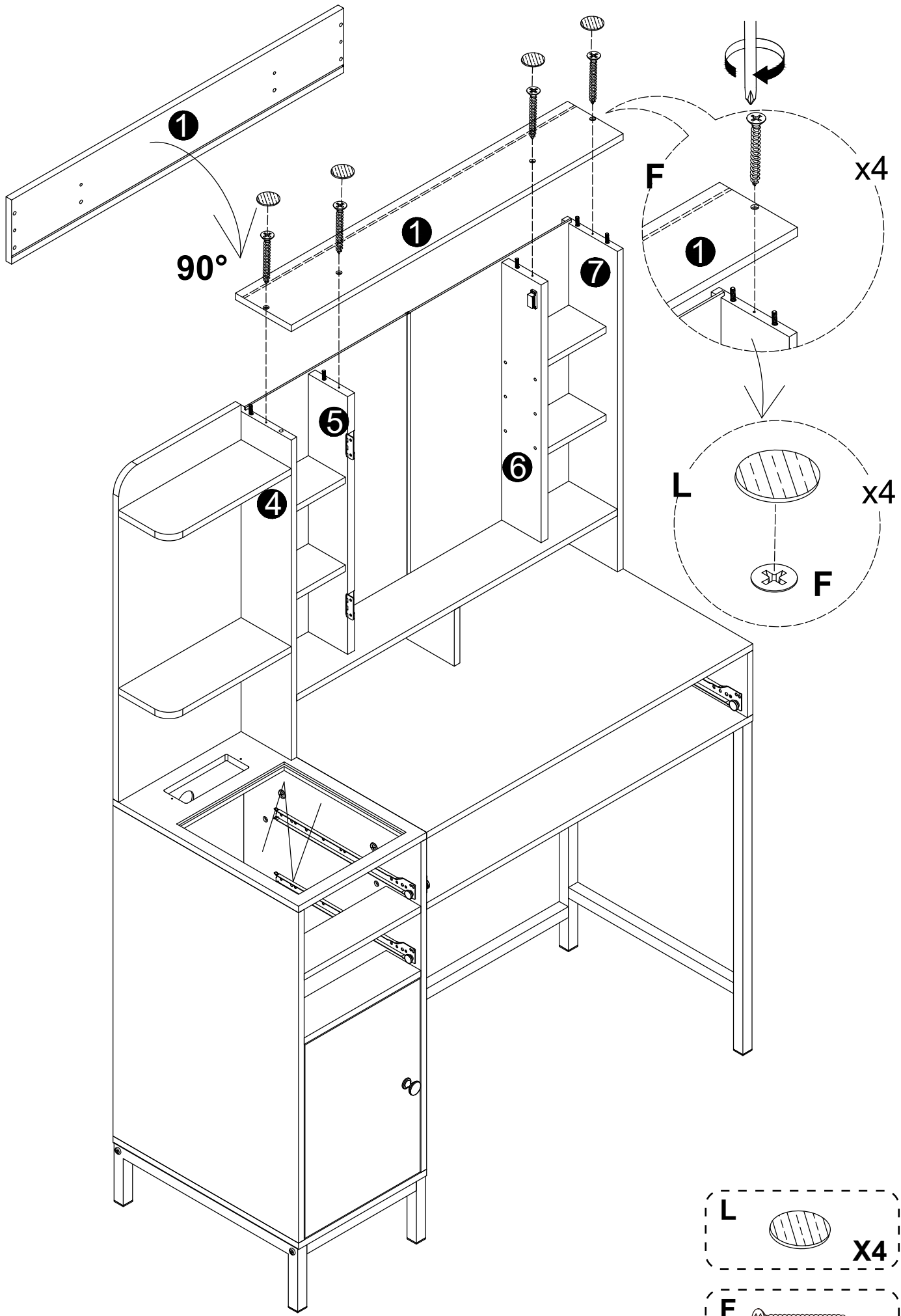
Ø15x10mm



X7

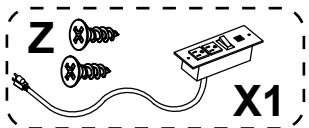
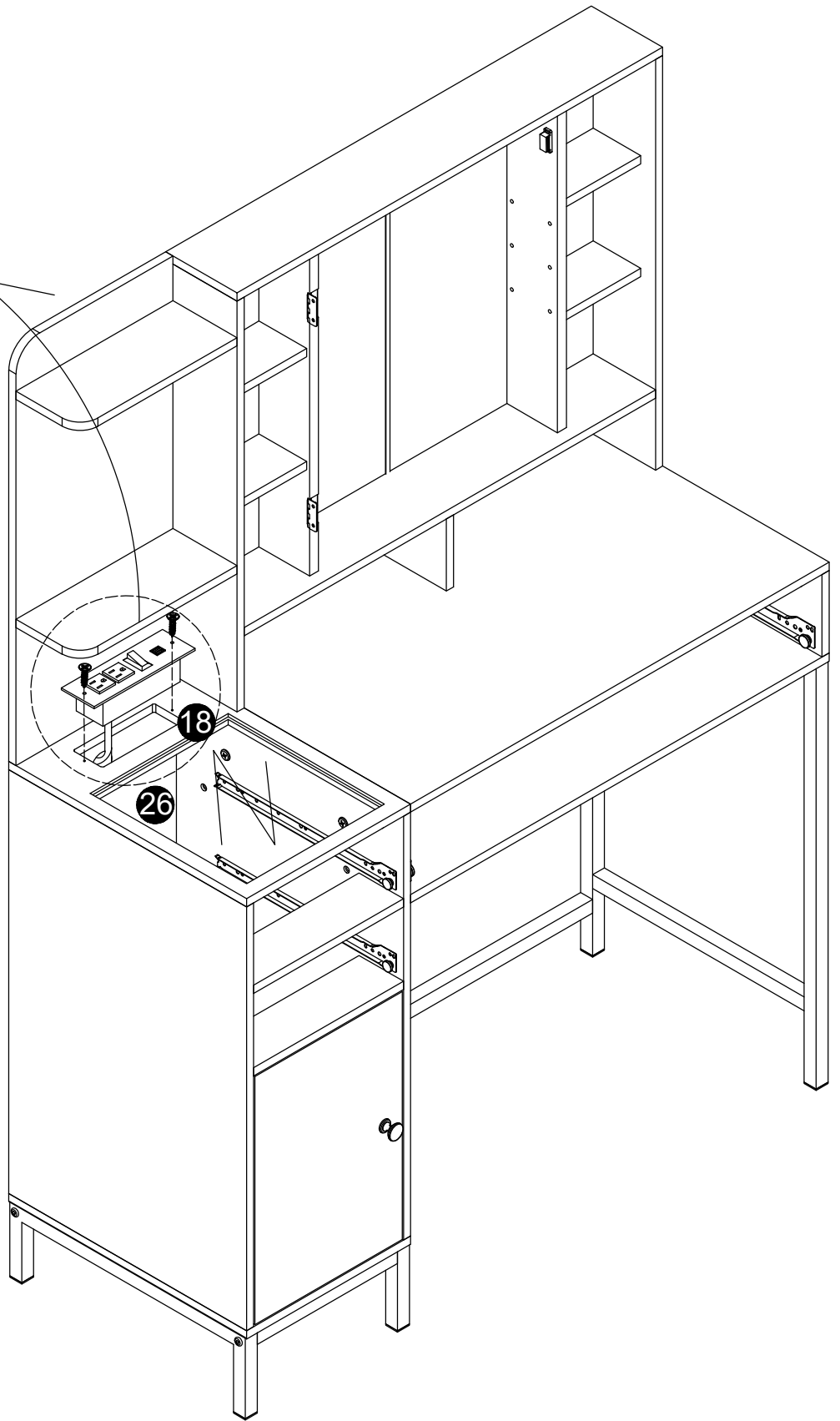
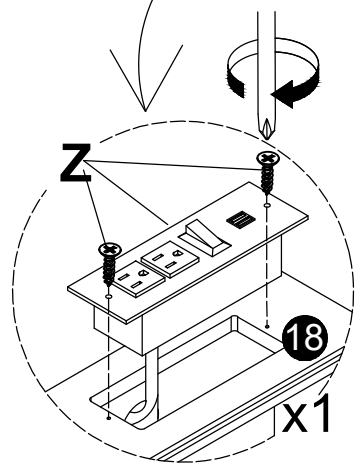
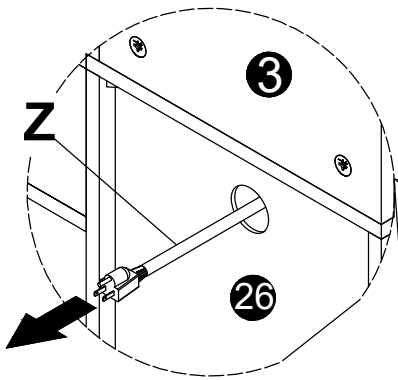


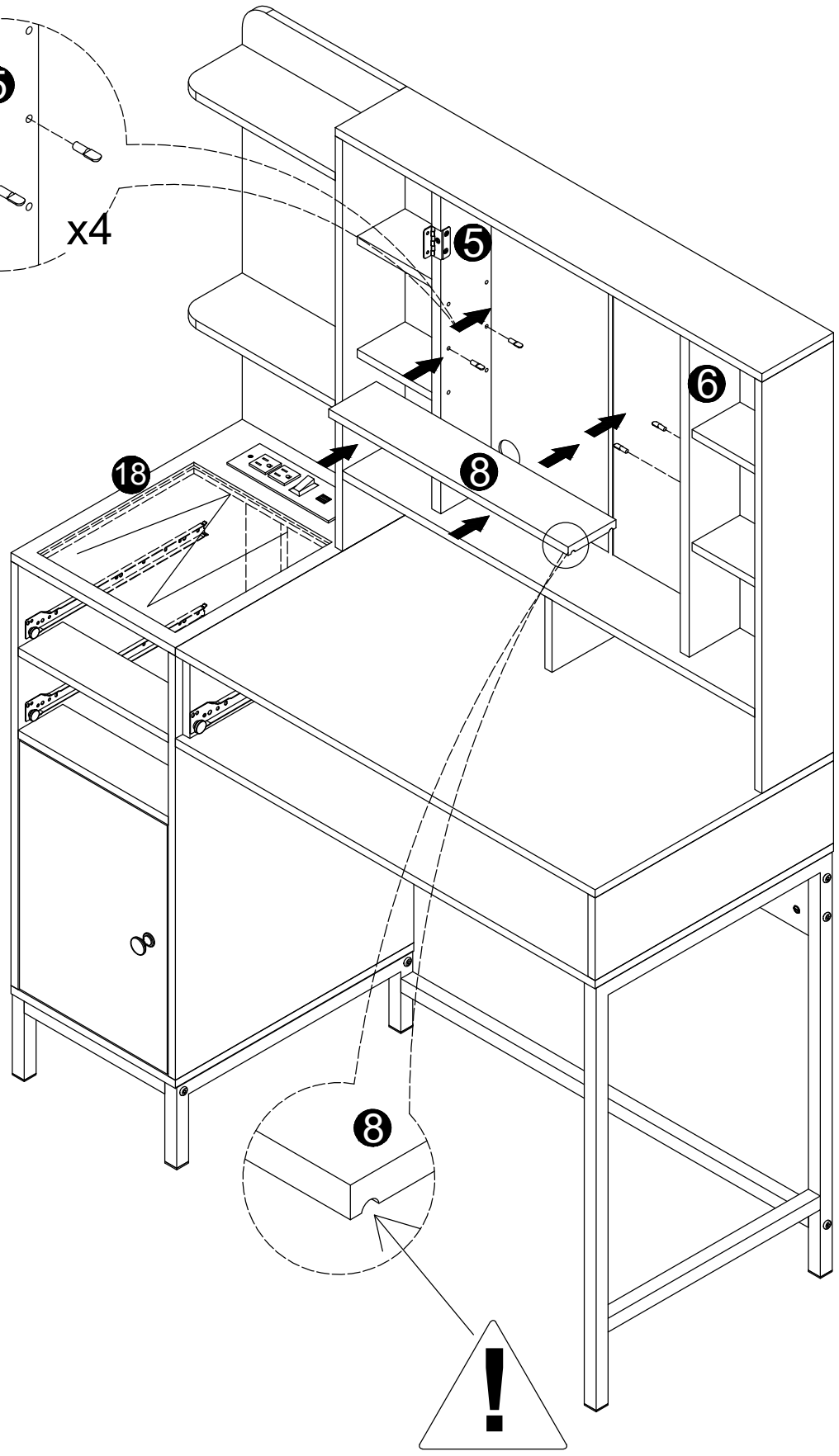
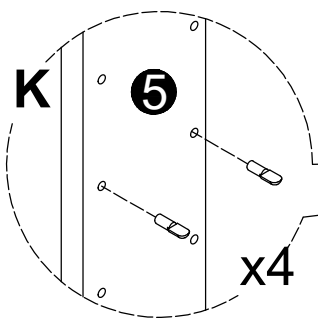
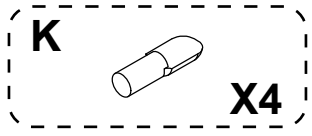


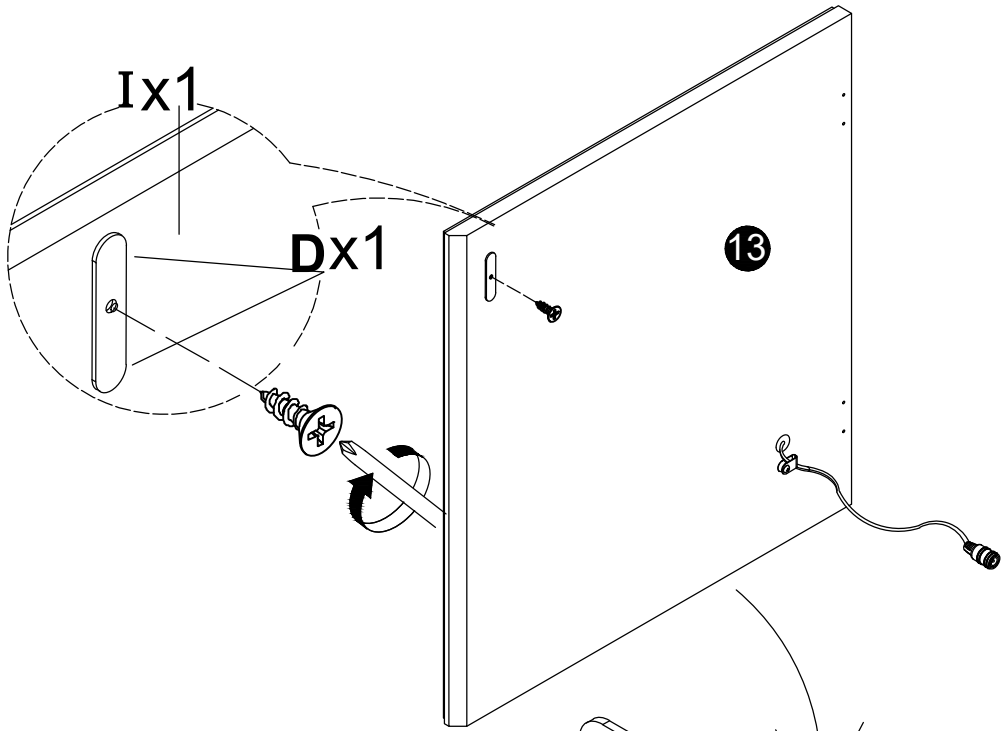



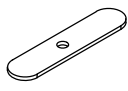



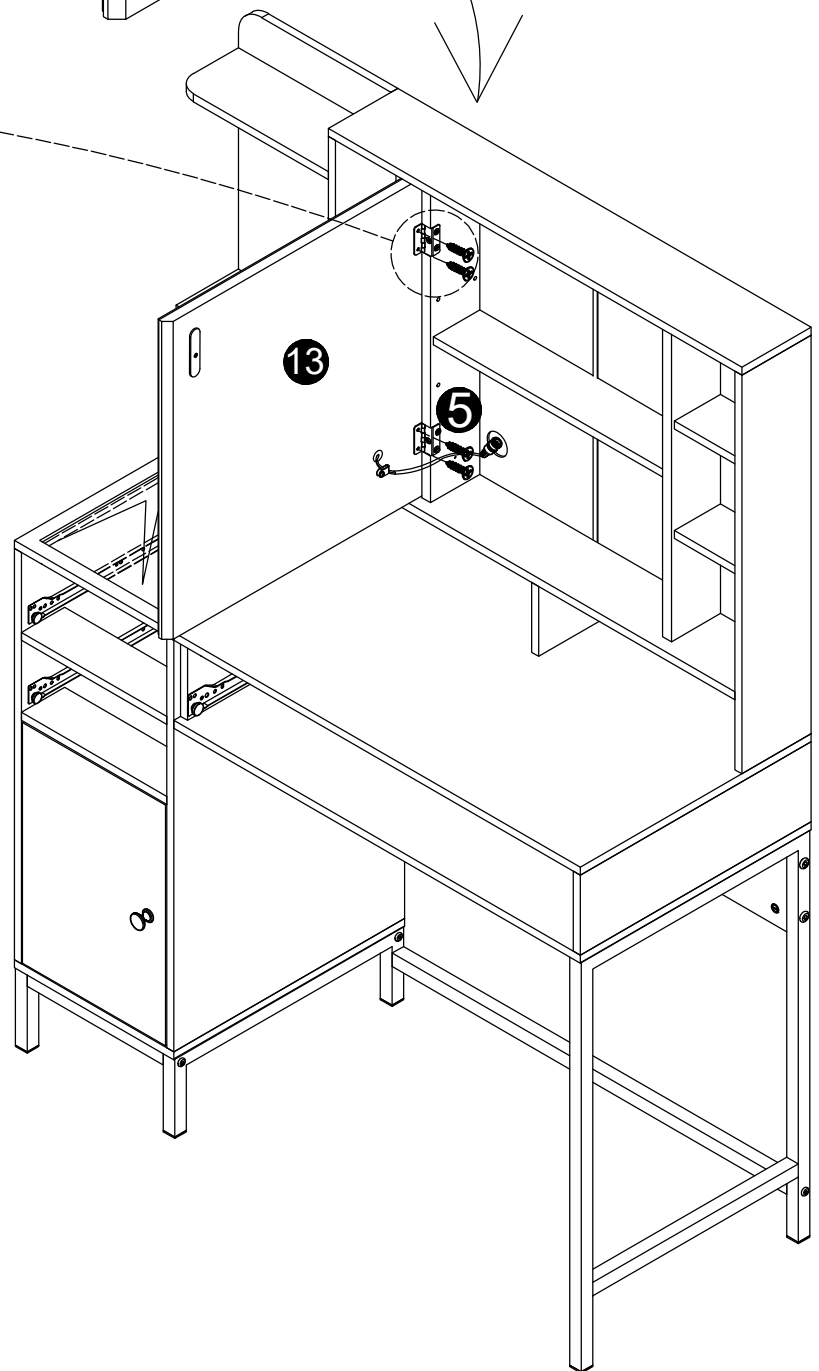
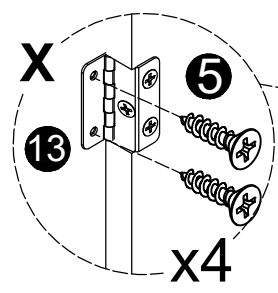
- L  X4
- F  Ø4x35mm X4

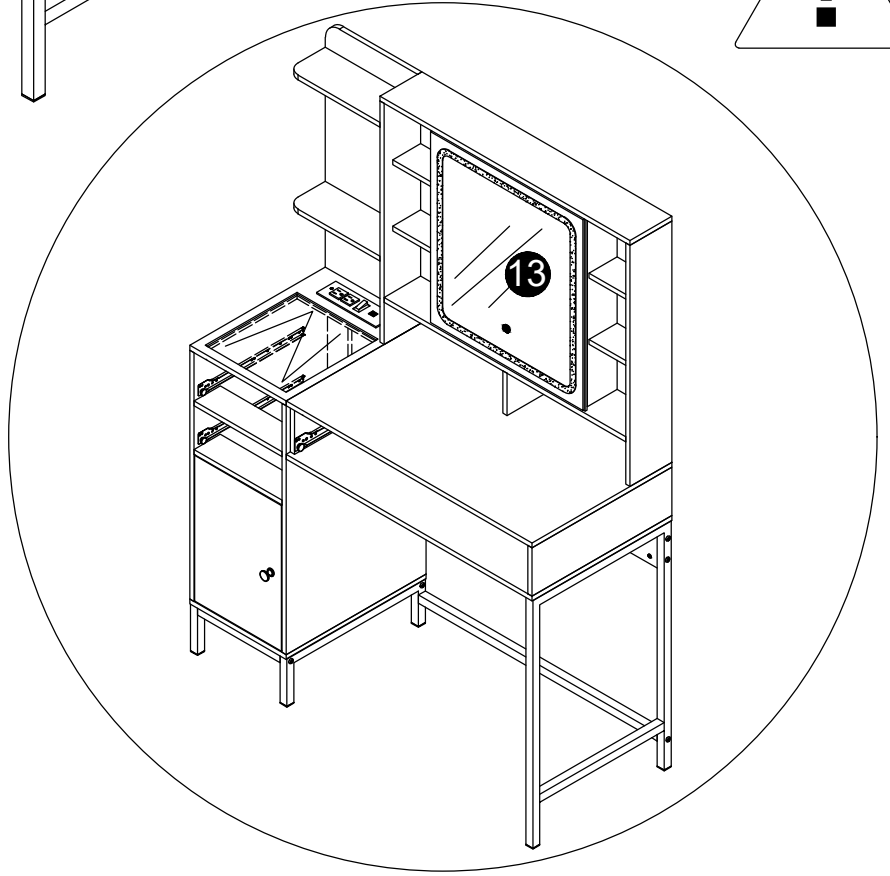
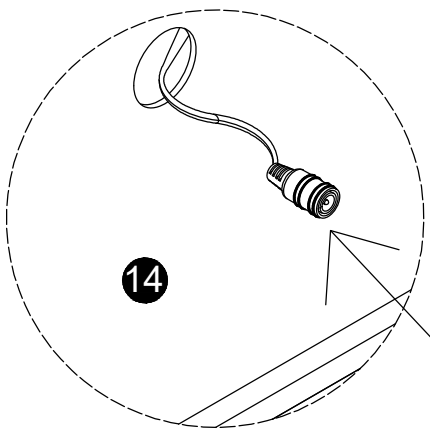
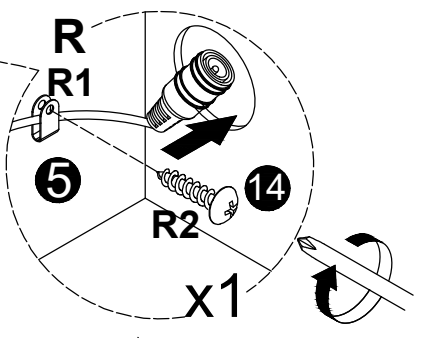
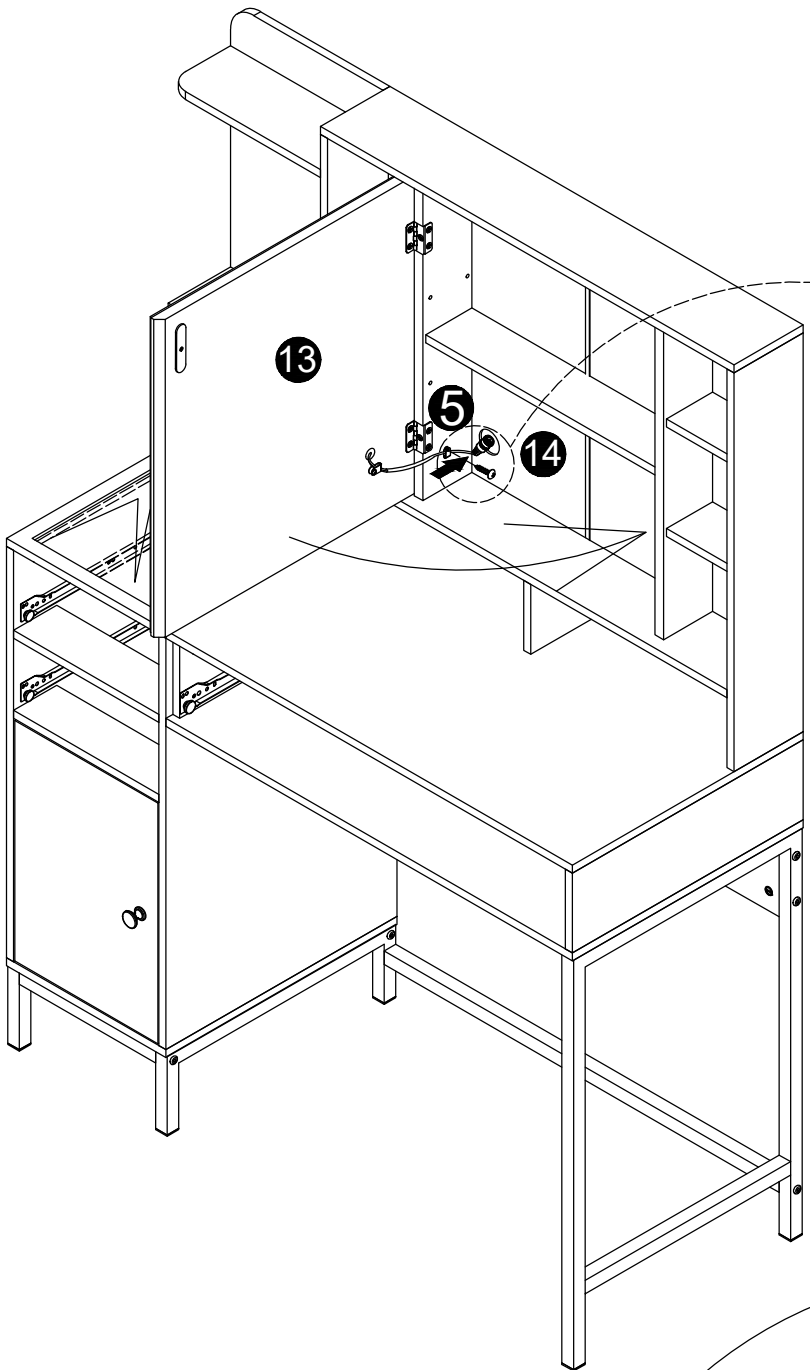
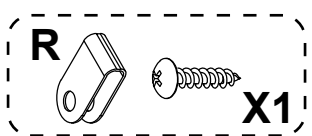


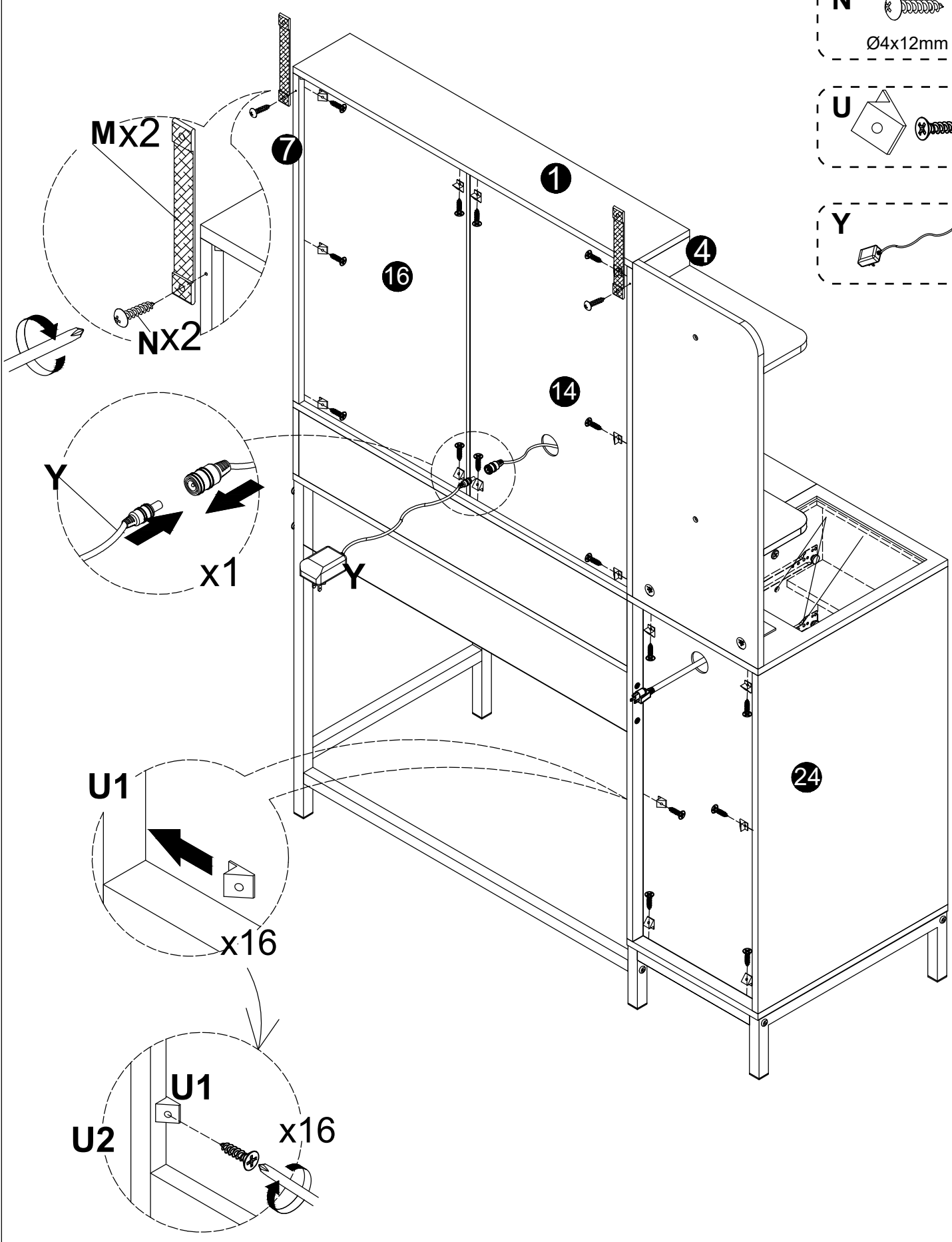
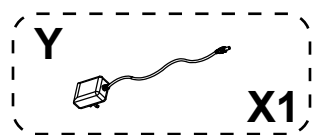
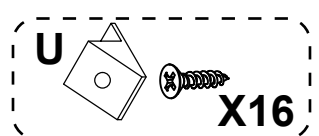
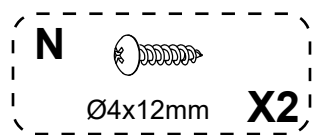
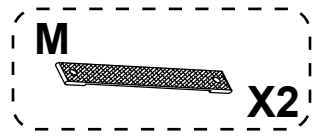


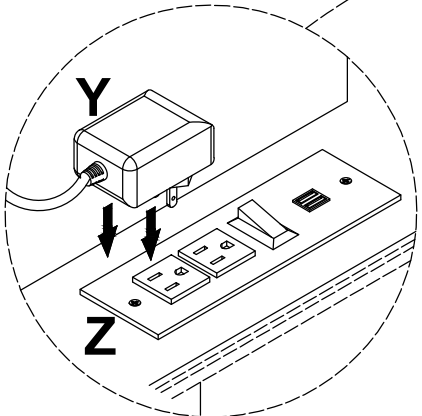
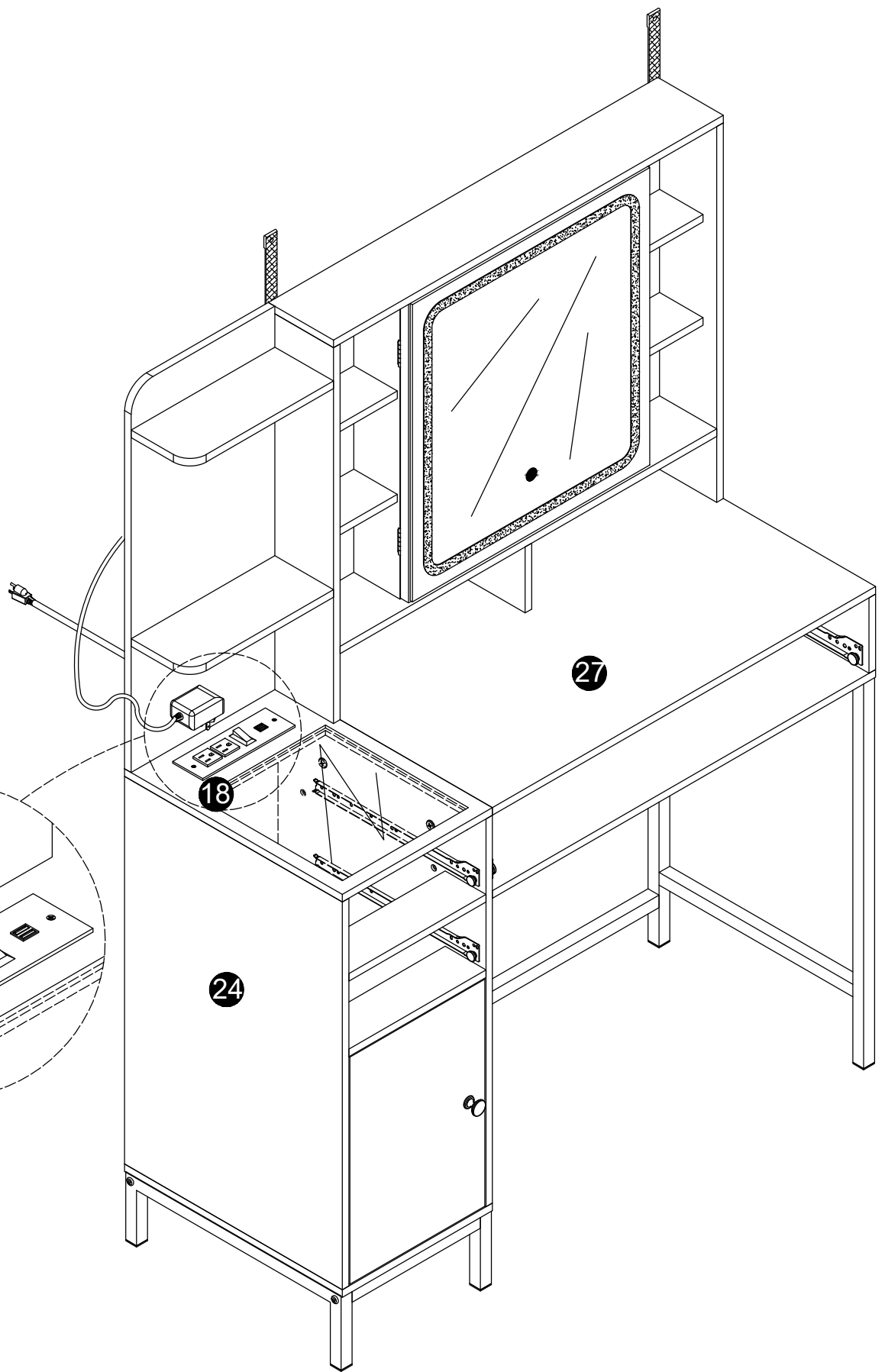


- D**  Ø3.5x10mm **X1**
- I**  **X1**
- X**  Ø3.5x12mm **X4**

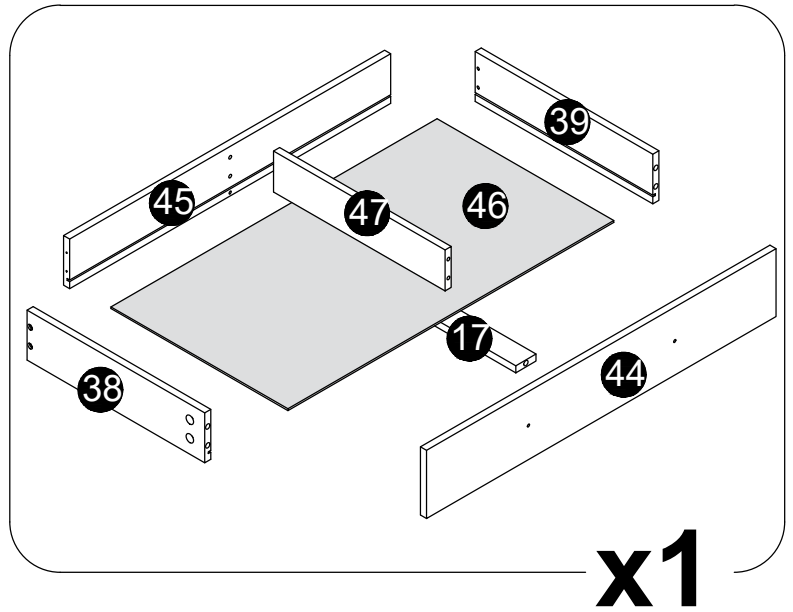
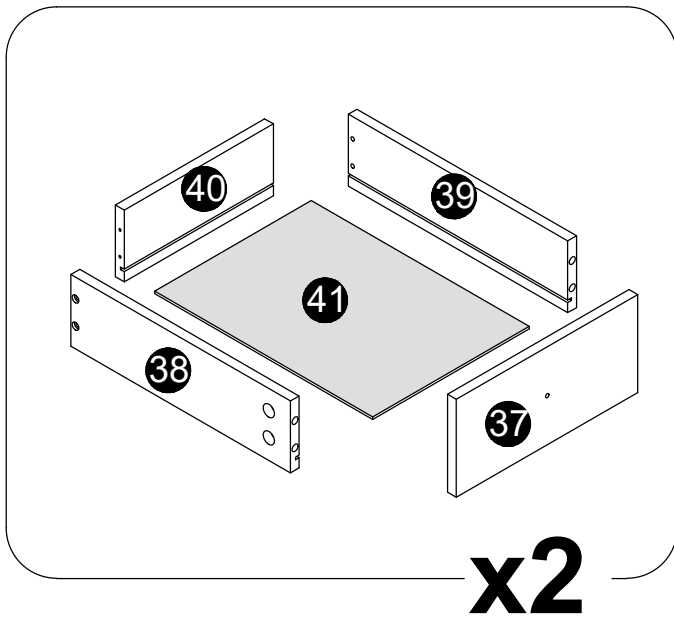




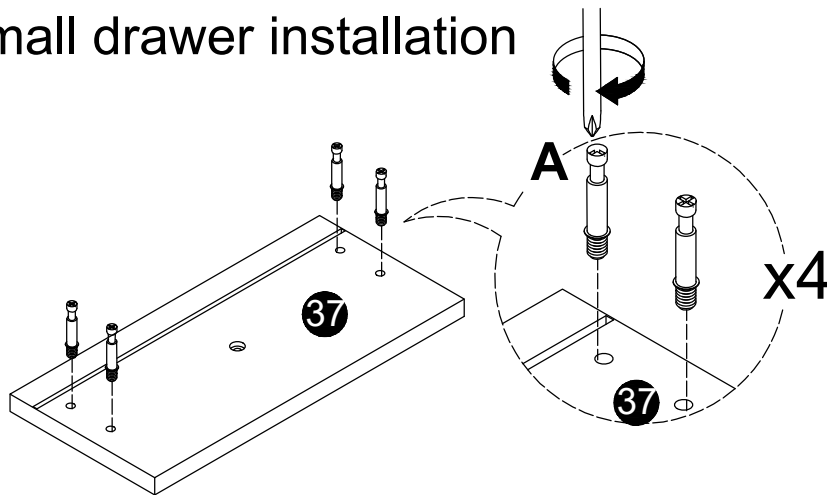




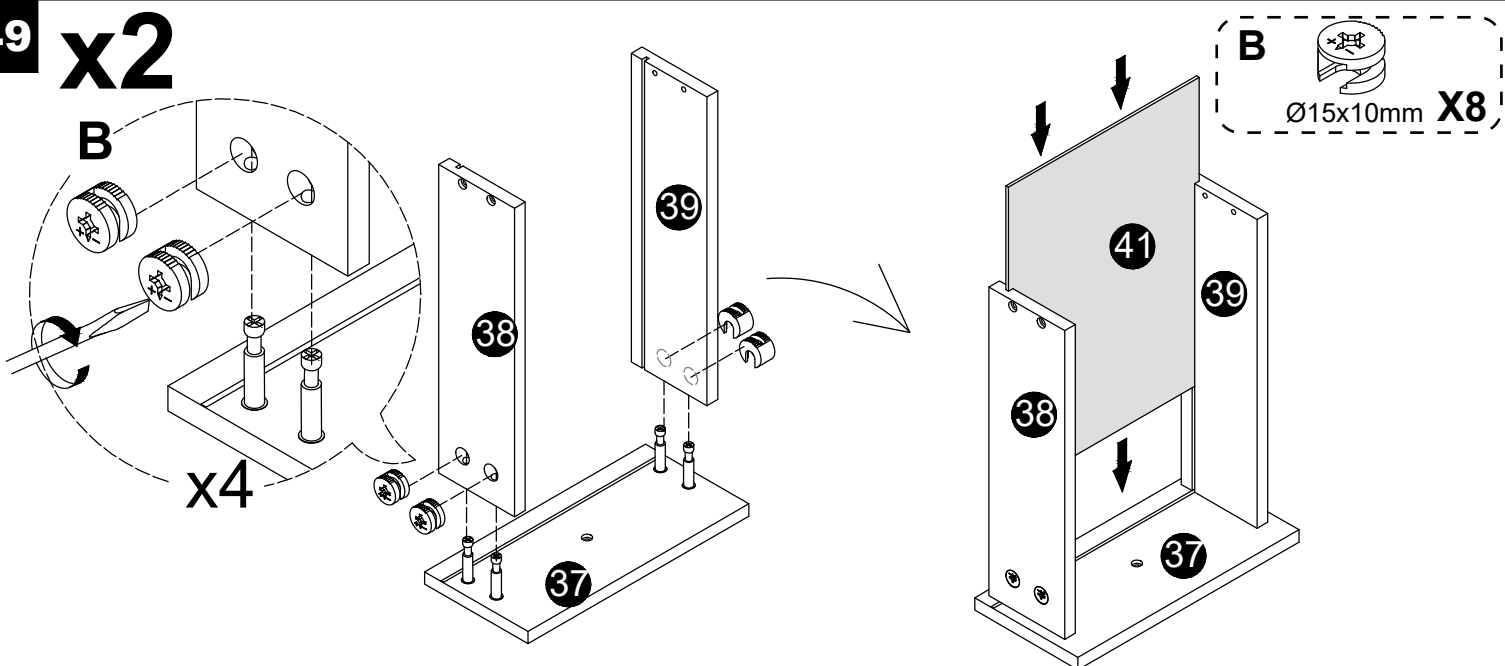
Rest awhile, installing drawers next is a repetitive task  
 Drawer installation



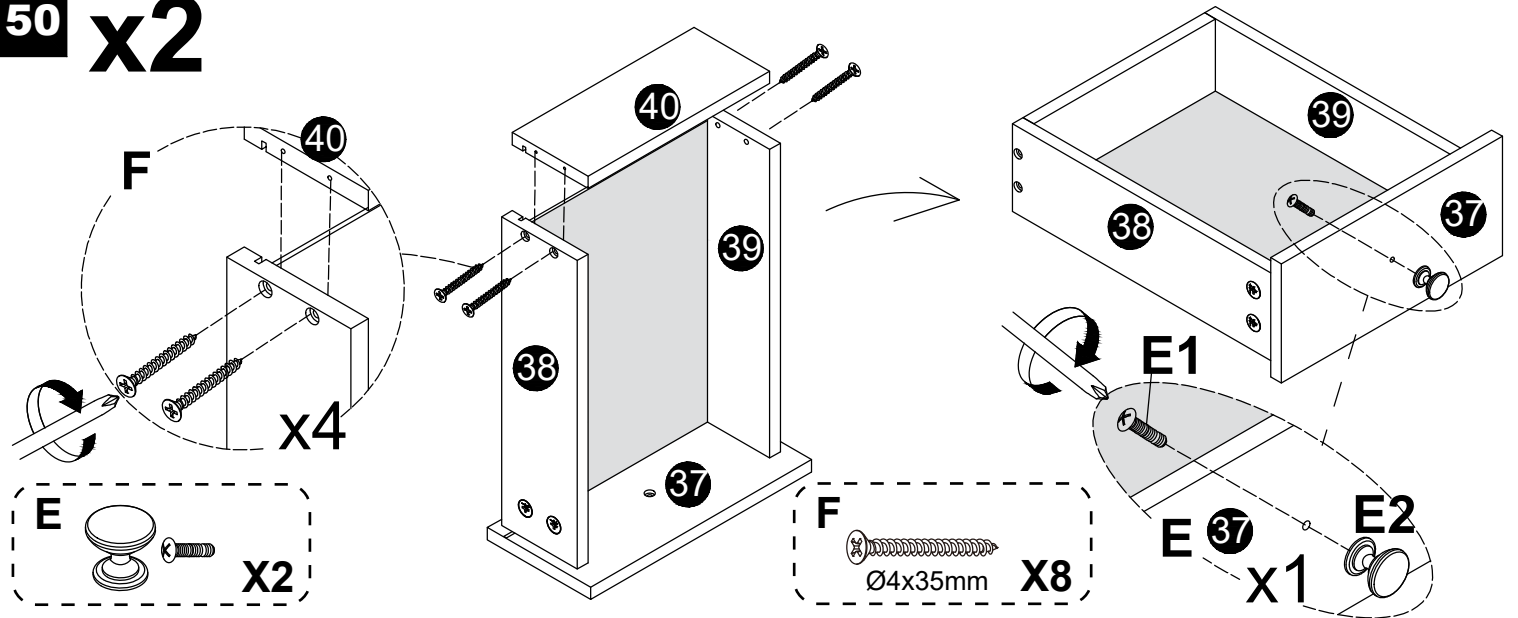
**48** **x2** Small drawer installation



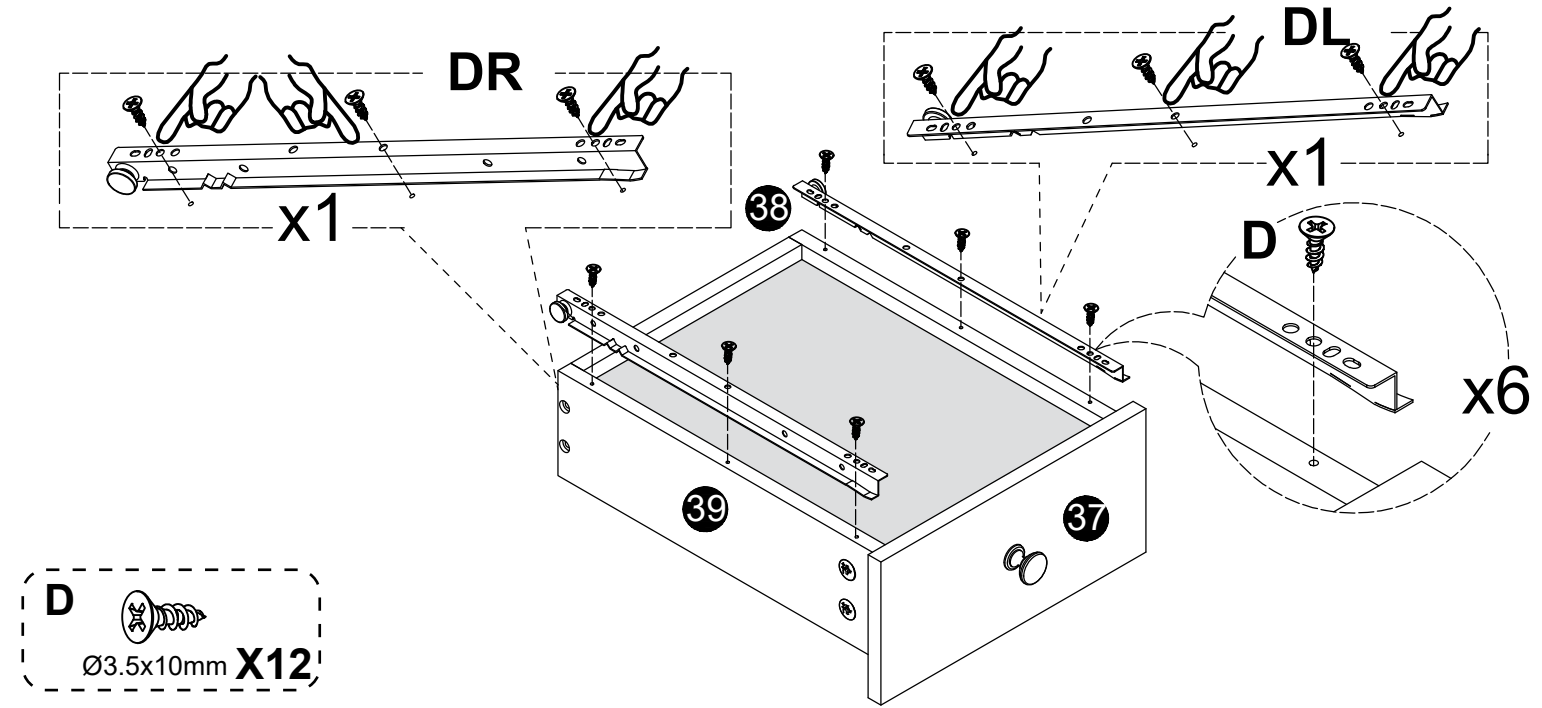
**49** **x2**



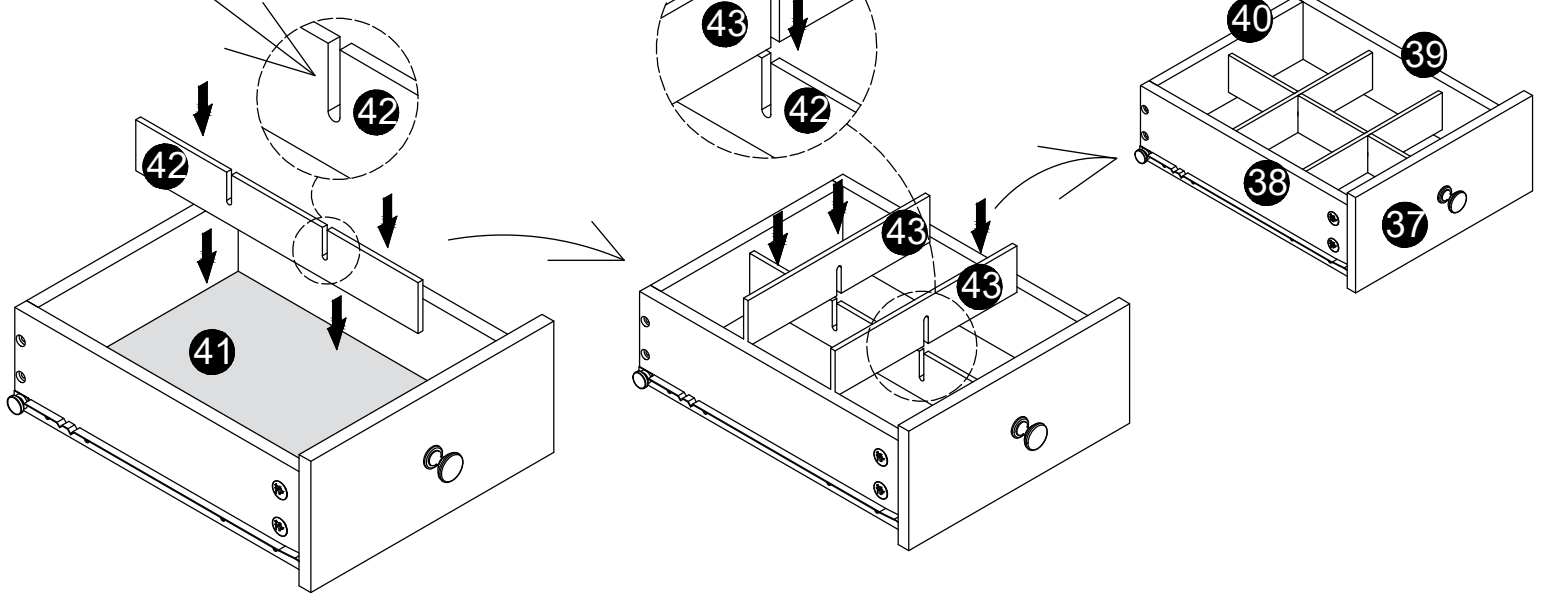
# 50 x2

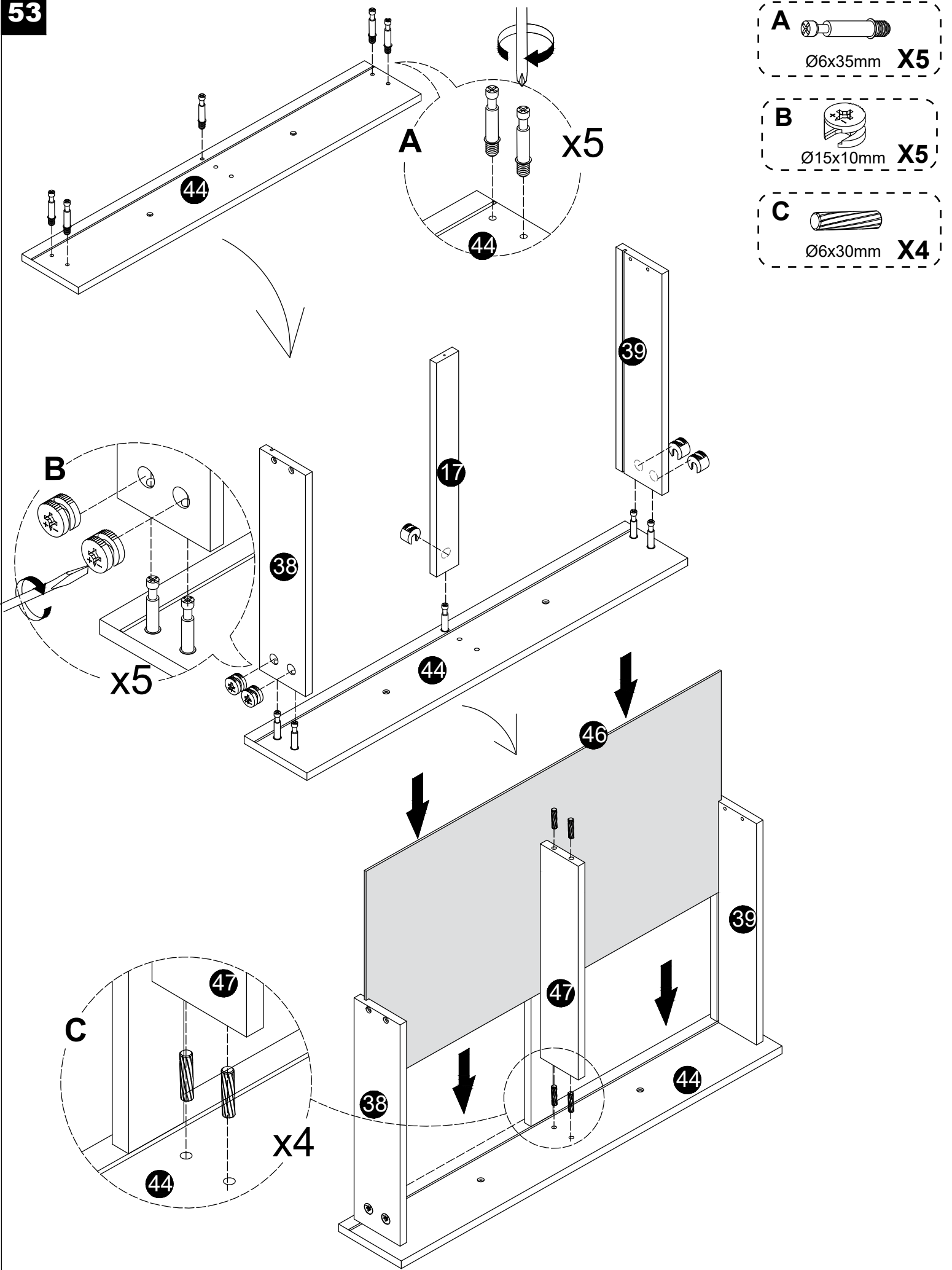


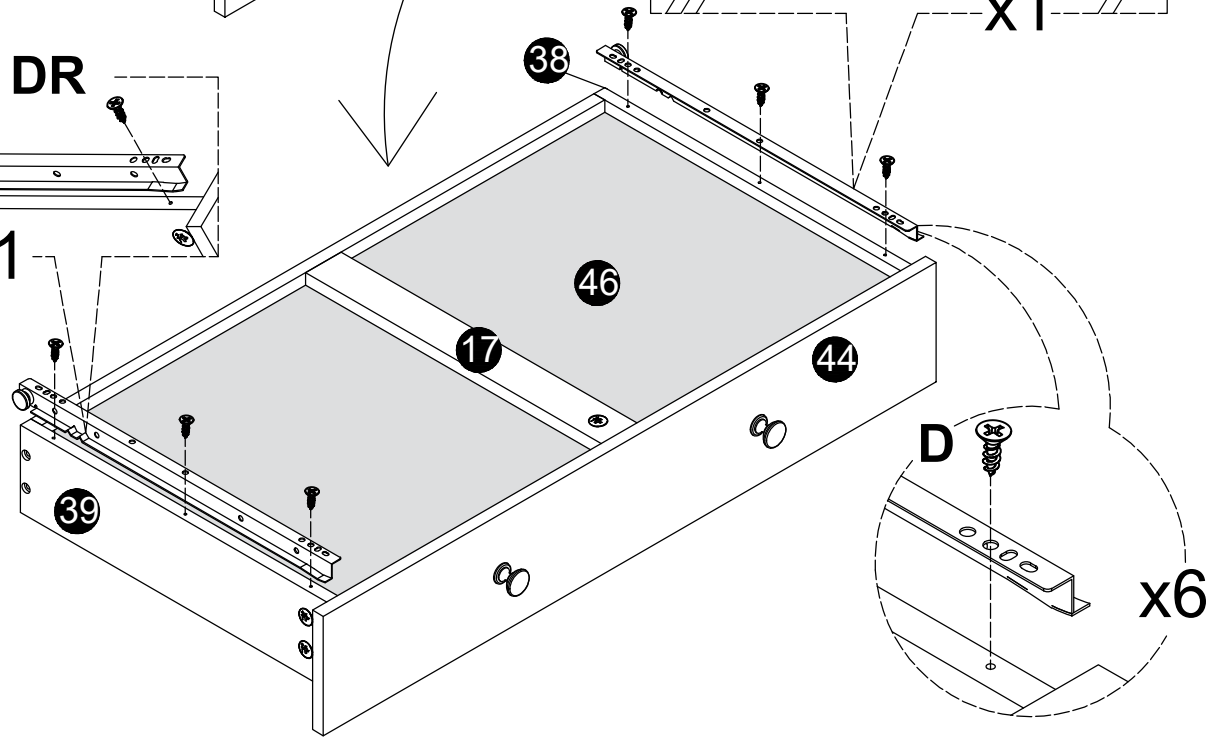
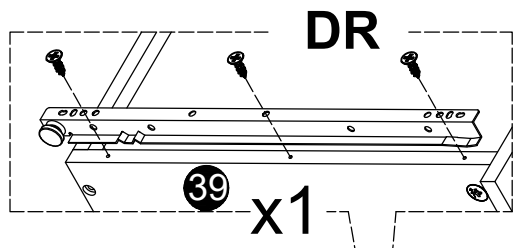
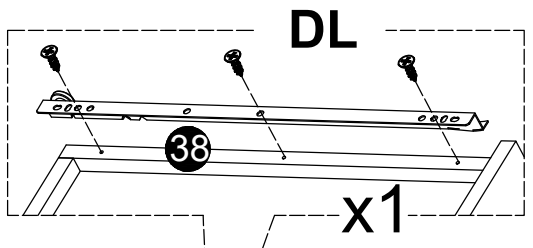
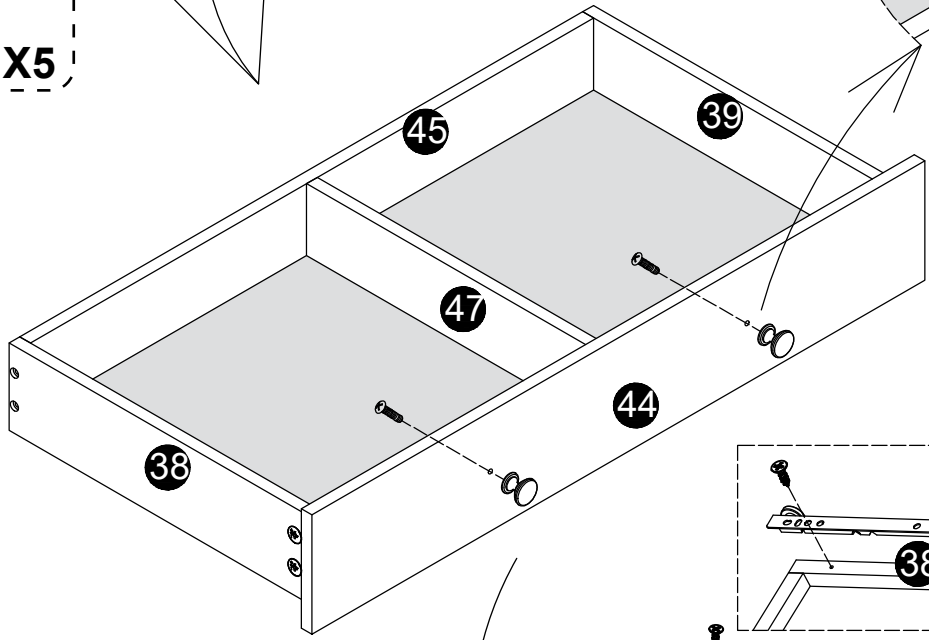
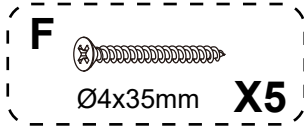
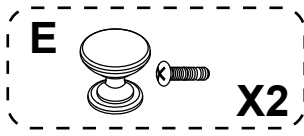
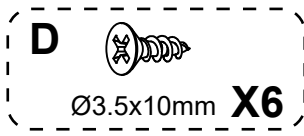
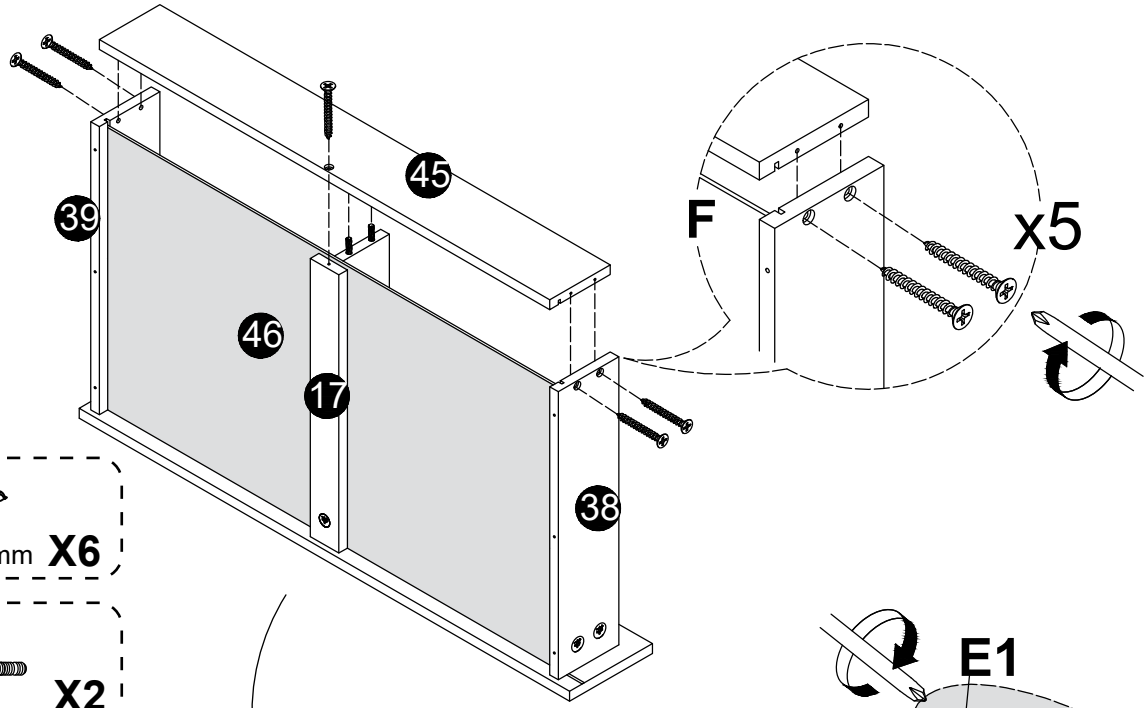
# 51 x2



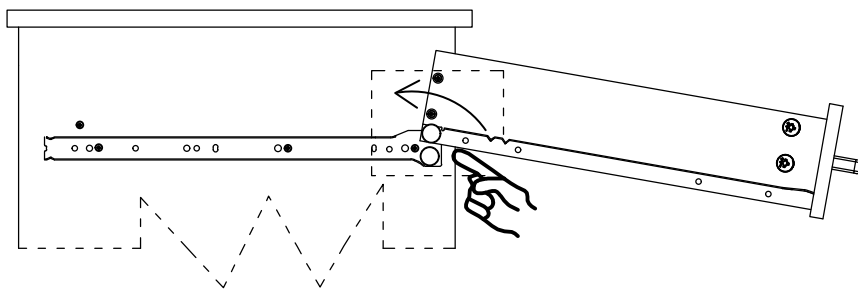
# 52



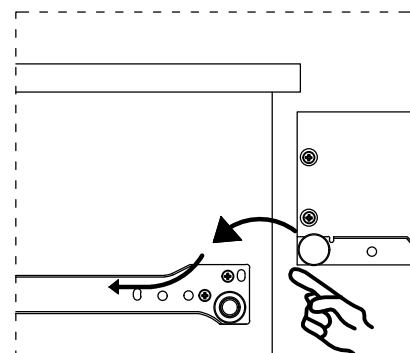
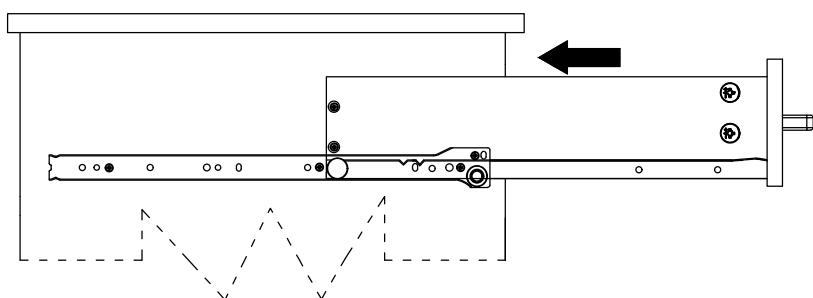




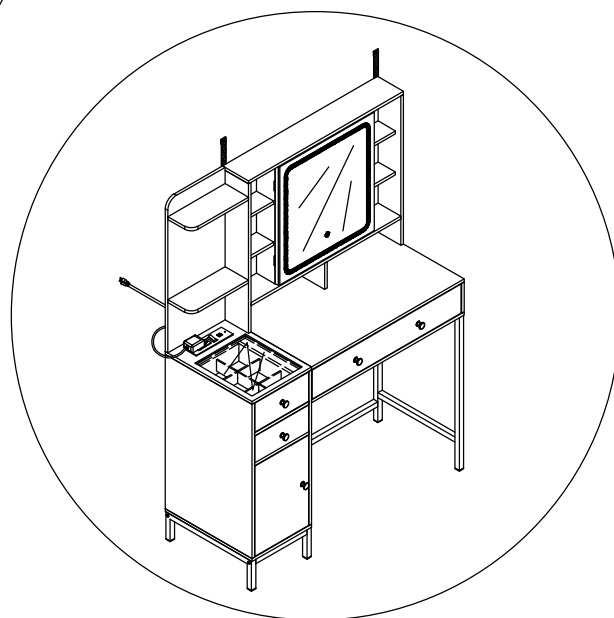
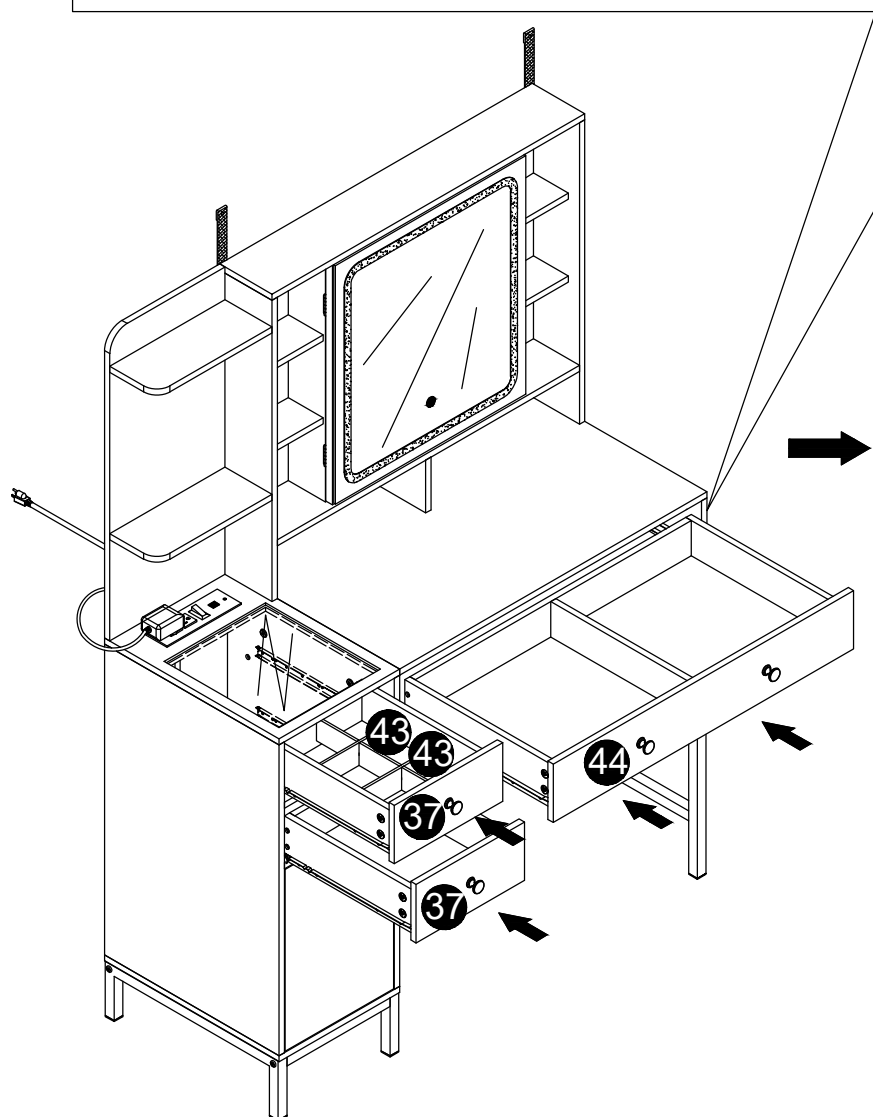
(1)

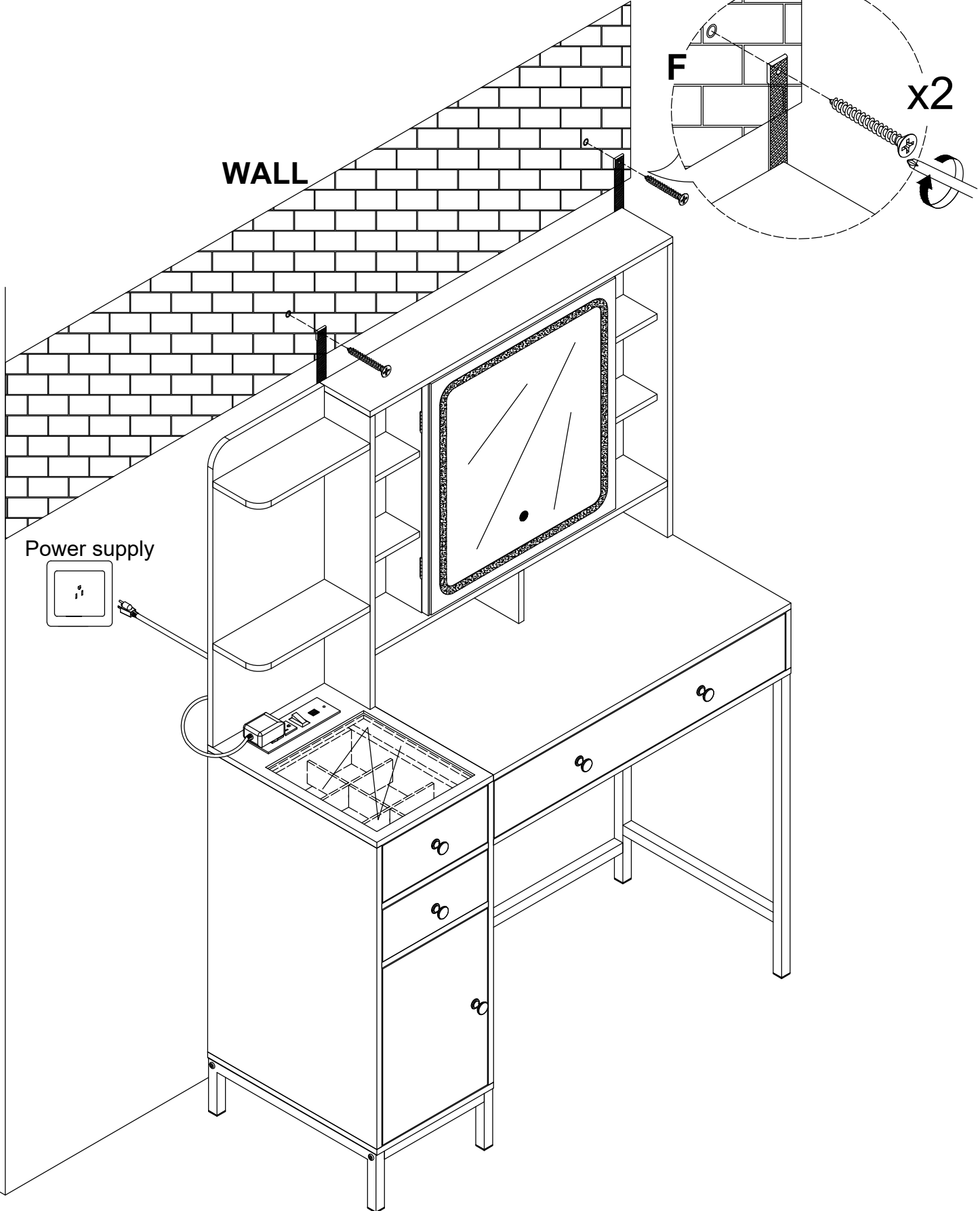
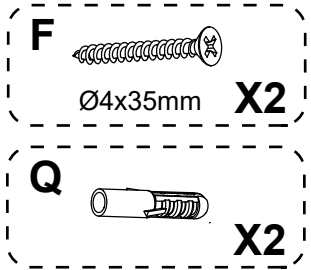
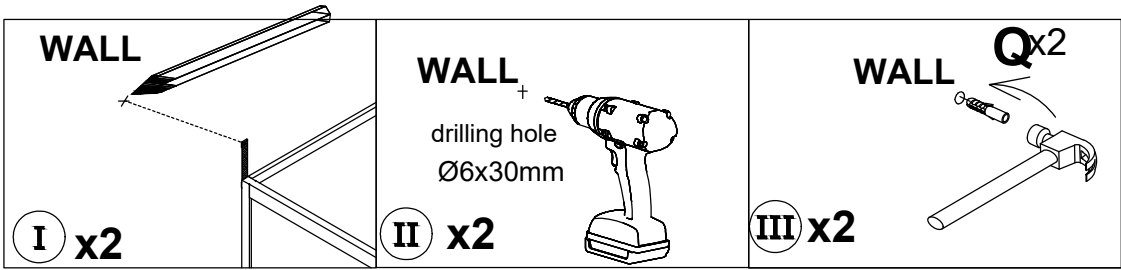


(2)

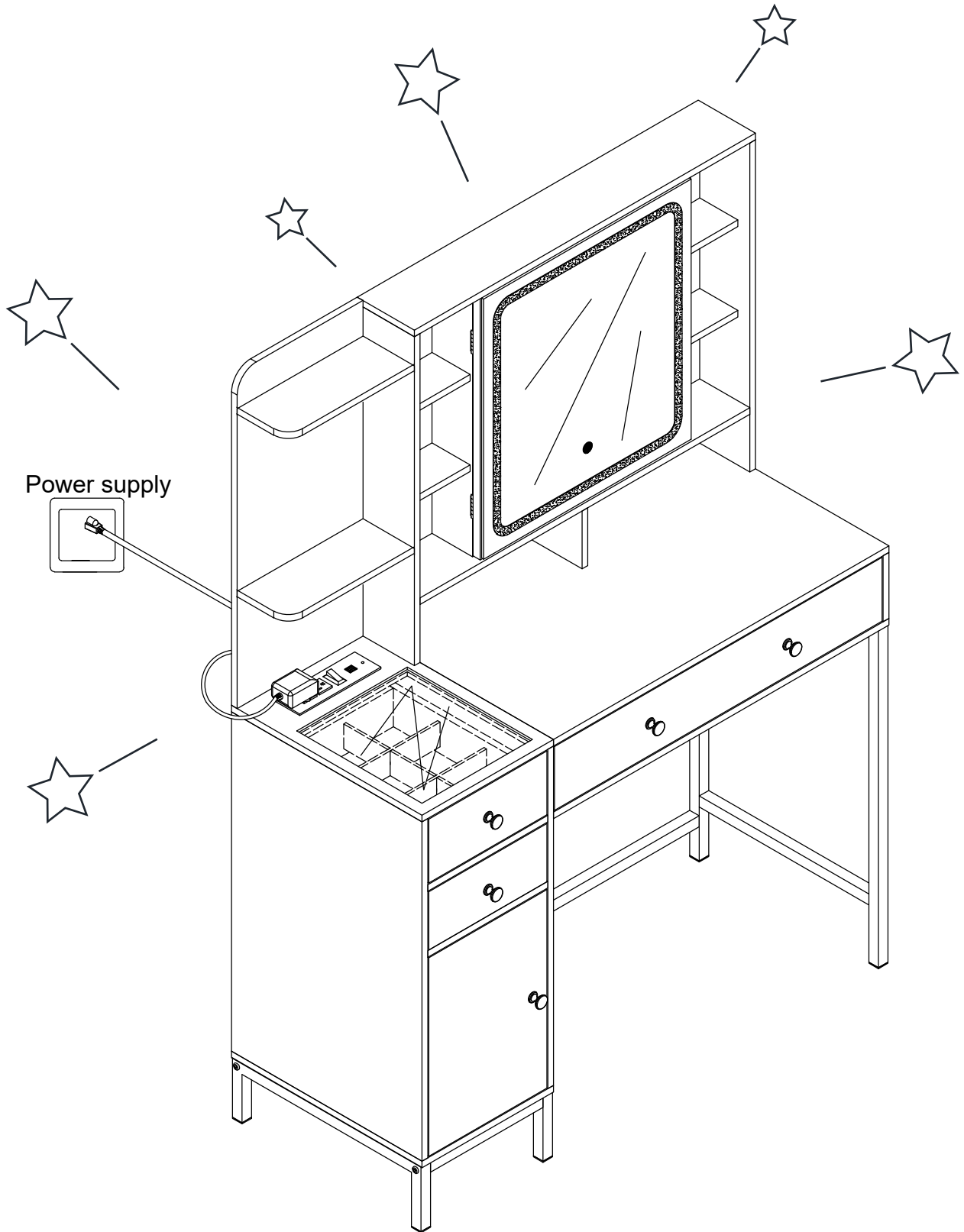


x3





# Complete!



Coordinate your vanity table with our other collections  
Pair with our other collections for a complete bedroom set  
If you have any questions, please contact us.