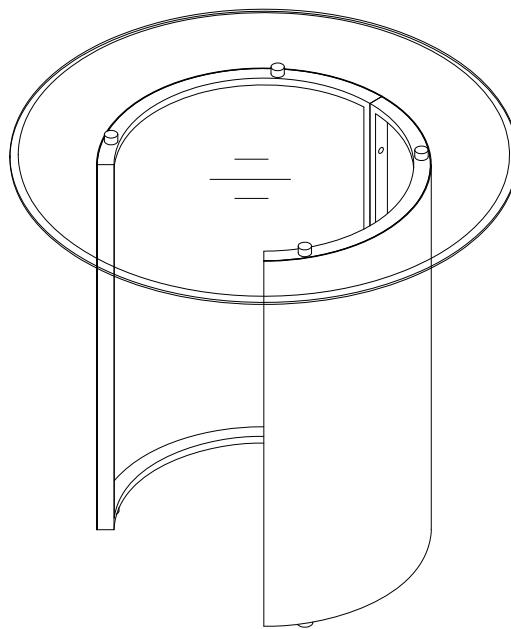


ASSEMBLY INSTRUCTIONS
COASTER FINE FURNITURE



Fine Furniture for every stage of life

721597
End Table

ITEM:721597



ASSEMBLY INSTRUCTIONS

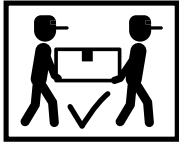
ASSEMBLY TIPS:

1. Remove hardware from box and sort by size.
2. Please check to see that all hardware and parts are present prior to start of assembly.
3. Please follow attached instructions in the same sequence as numbered to assure fast & easy assembly.



WARNING !

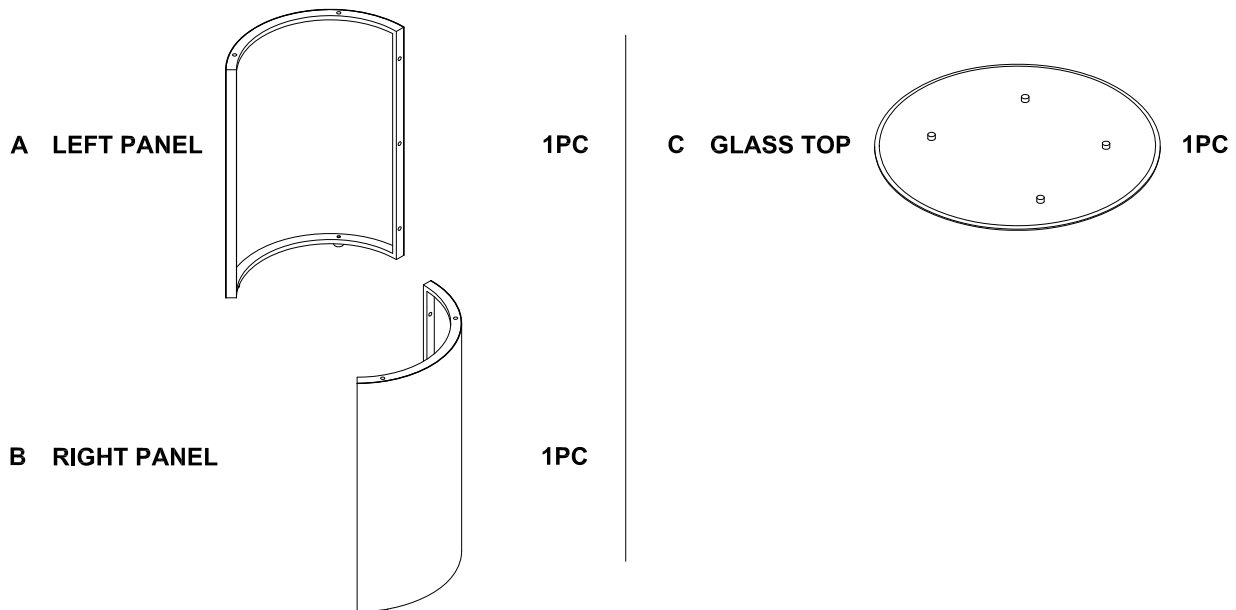
1. Don't attempt to repair or modify parts that are broken or defective. Please contact the store immediately.
2. This product is for home use only and not intended for commercial establishment.



ASSEMBLY TIME

15 MINUTE

PARTS IDENTIFICATION



HARDWARE IDENTIFICATION

| | | | | | | | |
|---|---------------------------------------|--|------|---|---------------------------------------|--|------|
| 1 | BOLT (1/4"x1/2" - BLK) | | 3PCS | 4 | NUT (1/4" - BLK) | | 3PCS |
| 2 | BOLT (1/4"x5/8" - BLK) | | 4PCS | 5 | ALLEN KEY (4x22X60mm - BLK) | | 2PCS |
| 3 | WASHER (ϕ 16mm - BLK) | | 4PCS | | | | |

NOTE:

Phillips head screw driver is required in the assembly process; however, manufacturer does not provide this item.

ITEM: **721597**


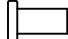



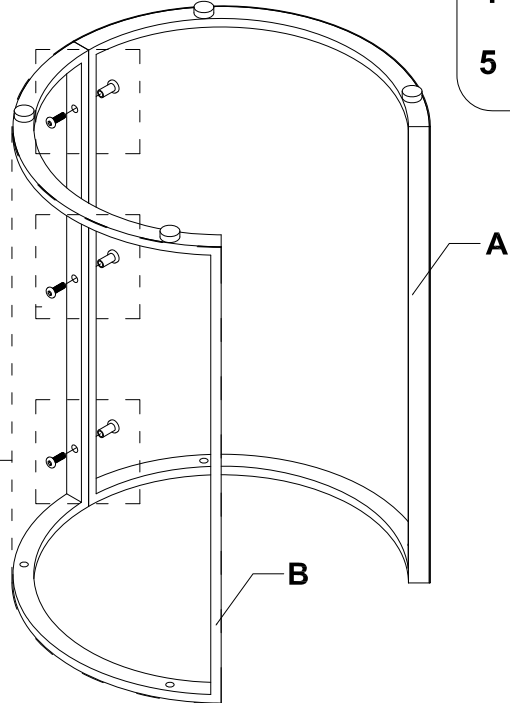
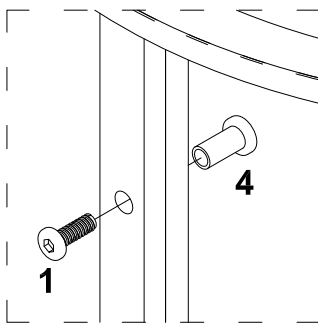
ASSEMBLY INSTRUCTIONS

STEP 1:




Note:

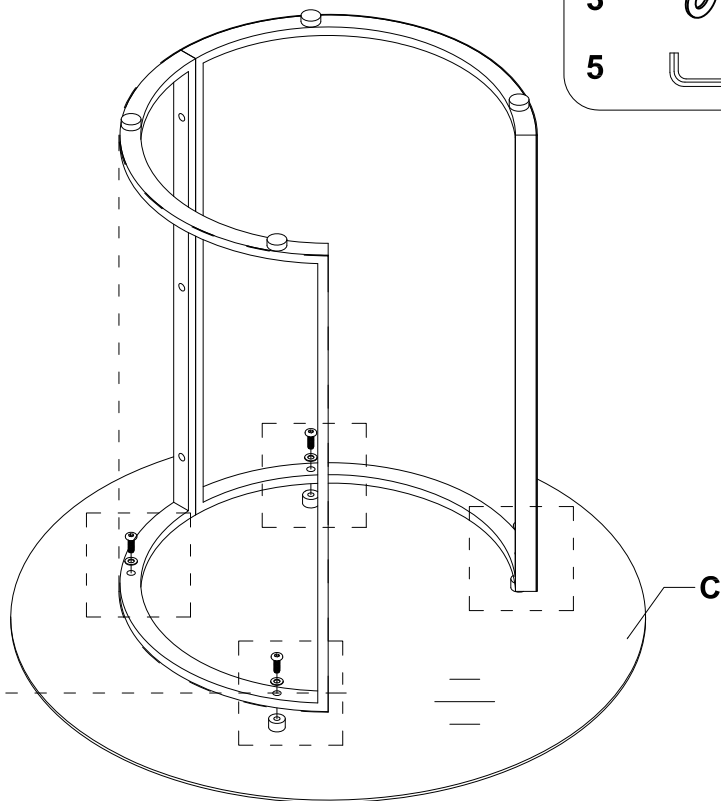
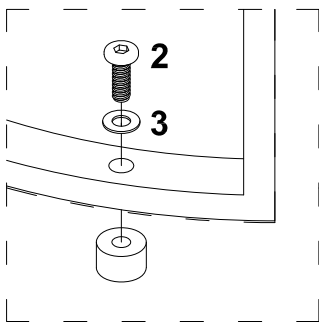
Do not fully tighten all bolts until assembly is complete.
This will help all parts to assemble properly.

| | | |
|---|---|------|
| 1 |  | 3PCS |
| 4 |  | 3PCS |
| 5 |  | 2PCS |

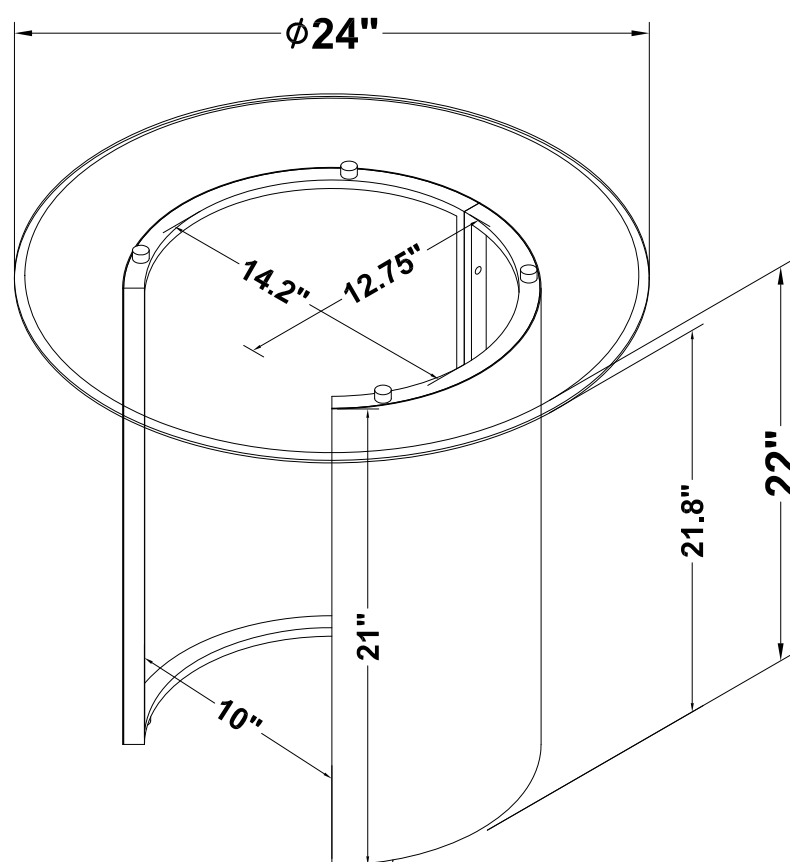


STEP 2:

| | | |
|---|---|------|
| 2 |  | 4PCS |
| 3 |  | 4PCS |
| 5 |  | 1PC |



ITEM:721597



Note : Dimension tolerance $\pm 5\%$