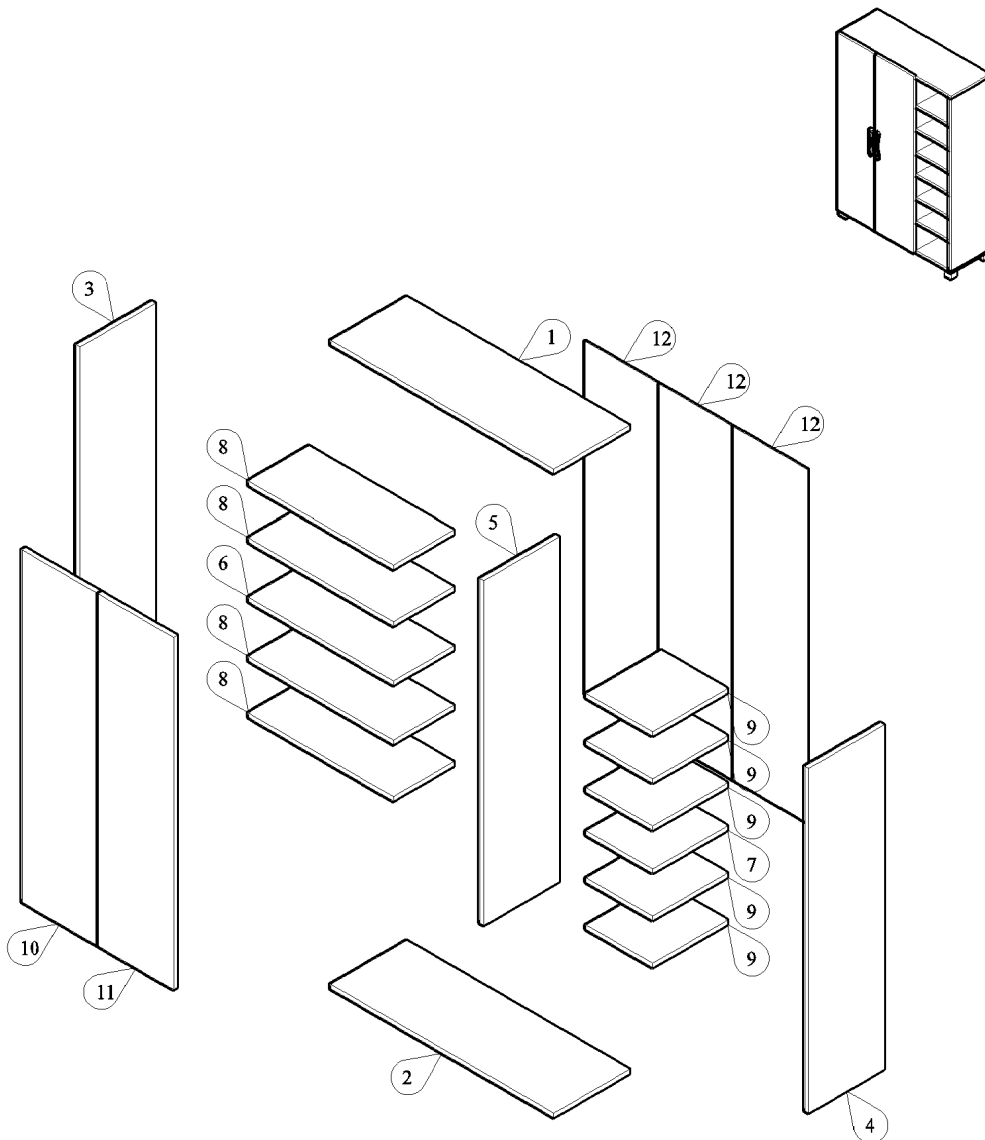














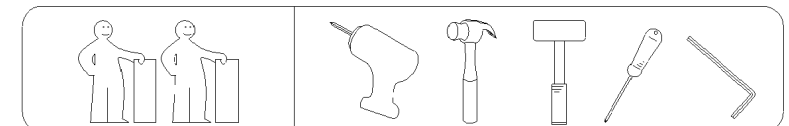
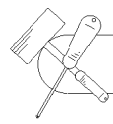


PANEL POSITION



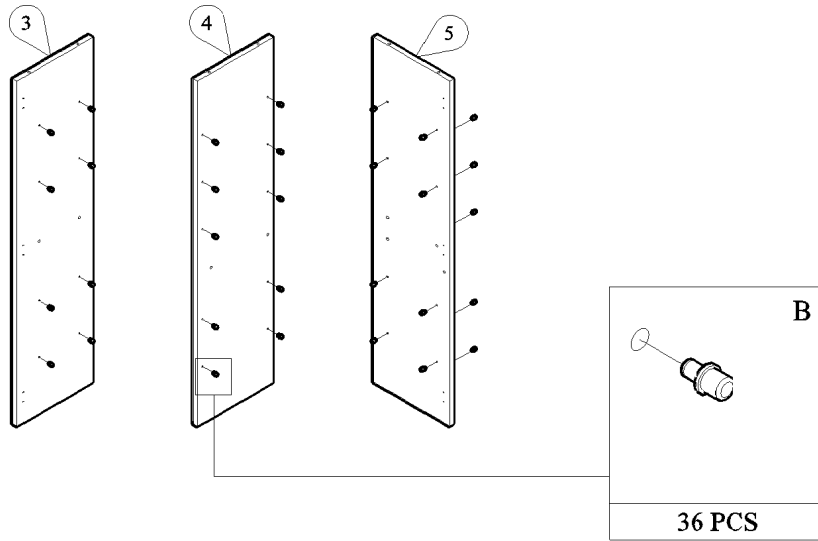
	HARDWARE		QUANTITY
A		SCREW M7x50MM	20 PCS
B		IRON SHELF SUPPORT	36 PCS
C		PVC HANDLE 128MM SCREW M4x28MM	2 PCS 4 PCS
D		NORMAL HINGES SCREW M3.5x16MM	6 PCS 36 PCS
E		PVC CABINET LEG SCREW M4x28MM	5 PCS 10 PCS
F		PVC "H" RAIL	2 PCS
G		POWER PIN	40 PCS
H		ALLEN KEY	1 PC
I		NYLON COTTON	1 PC
J		WALL PLUG	1 PC
K		SCREW M4x28MM	1 PC
L		WOSE	2 PCS
M		SCREW M3.5x16MM	1 PC
N		BUFFER	4 PCS



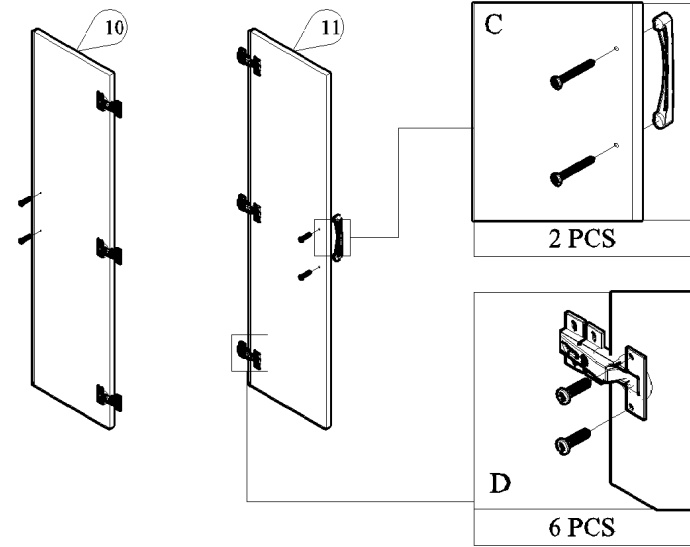


START ASSEMBLY

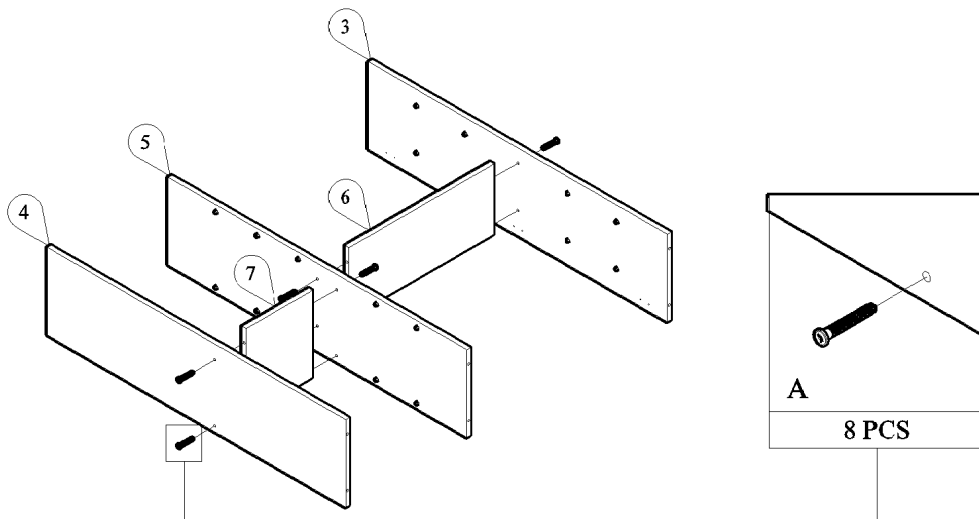
STEP 1



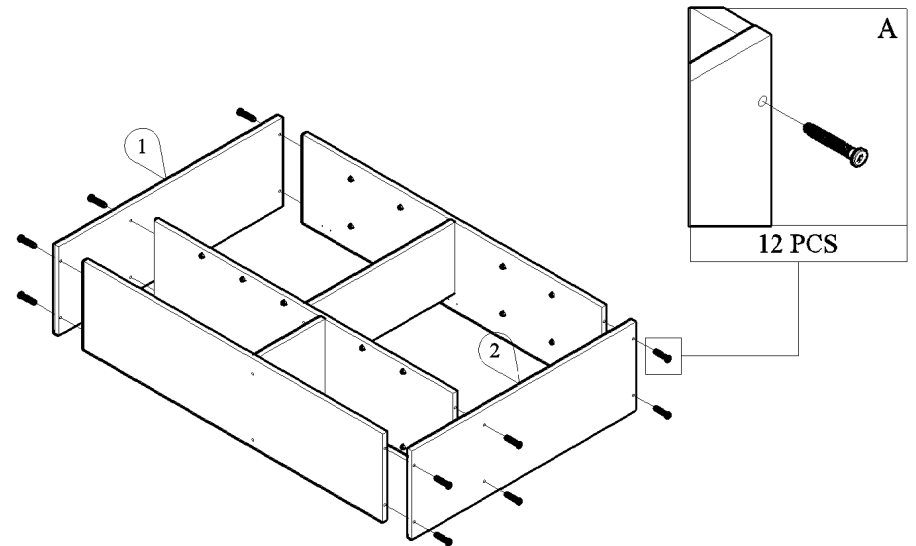
STEP 2



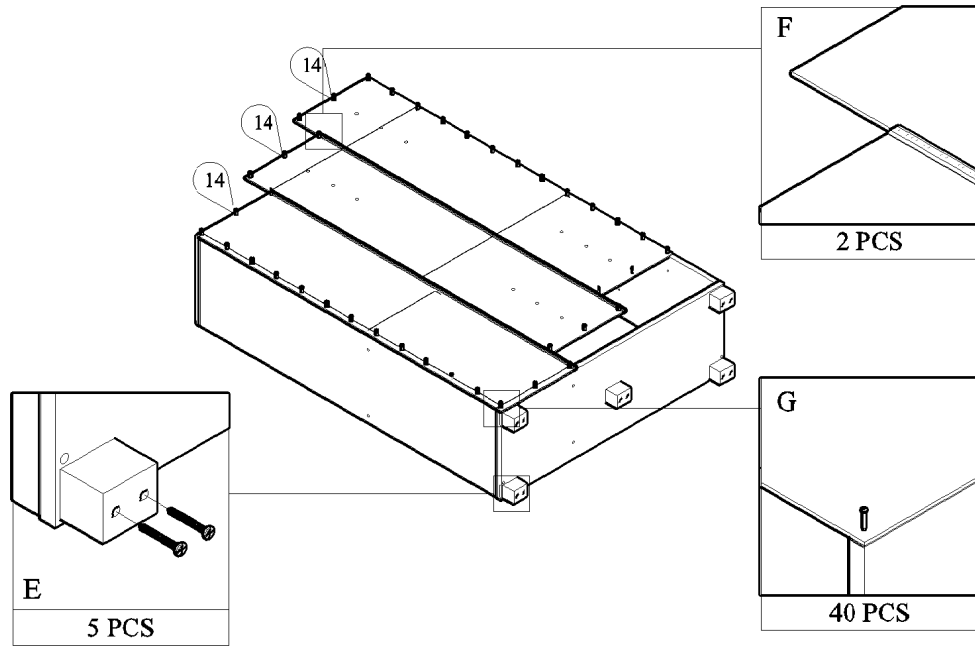
STEP 3



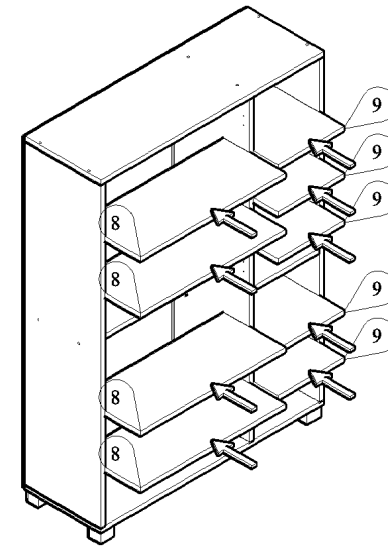
STEP 4



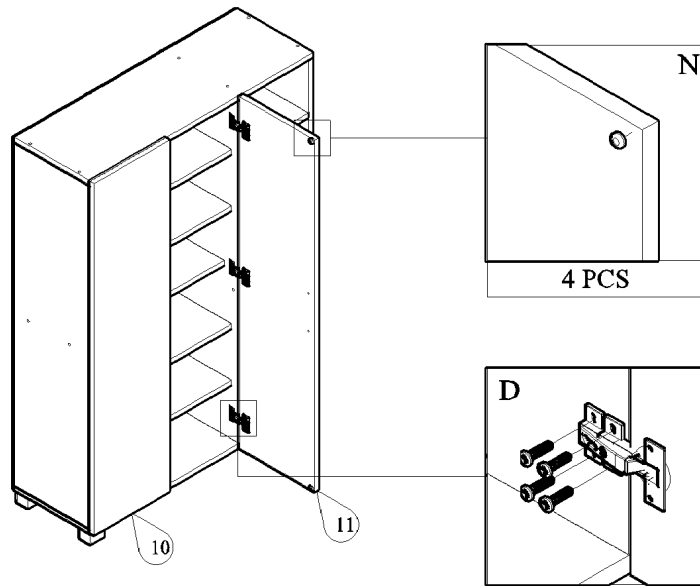
STEP 5



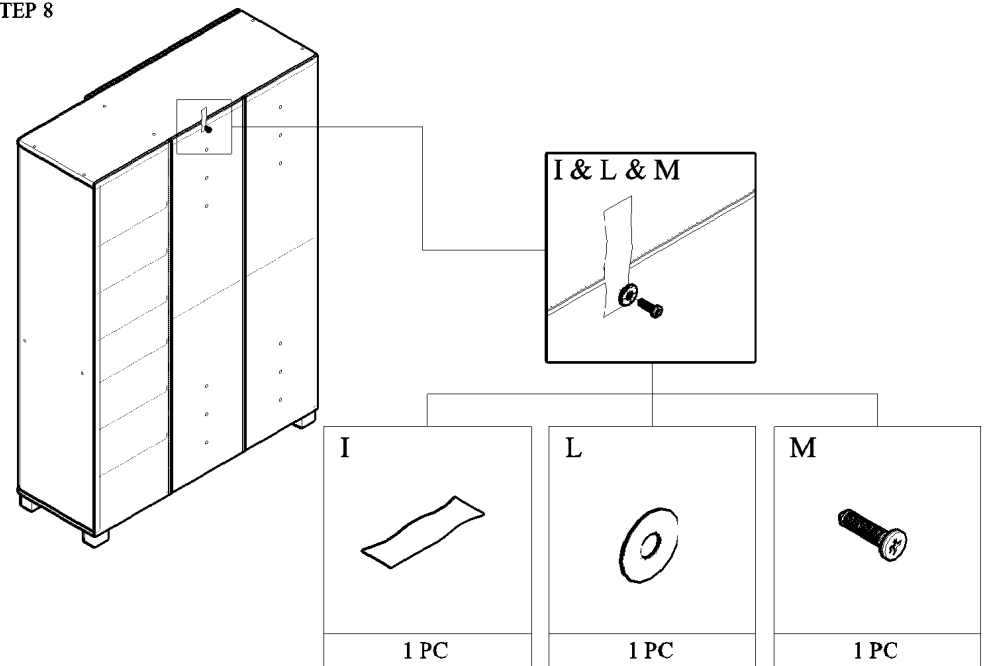
STEP 6



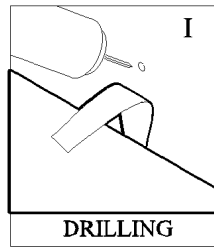
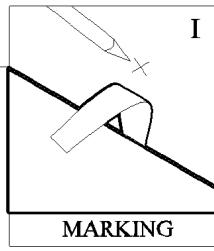
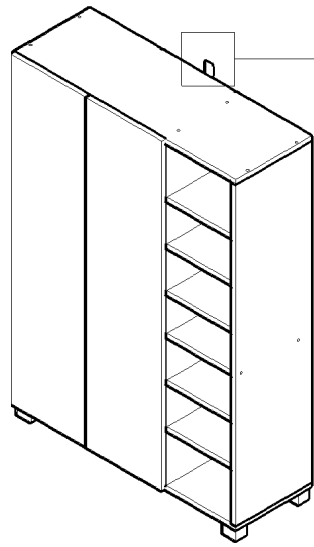
STEP 7



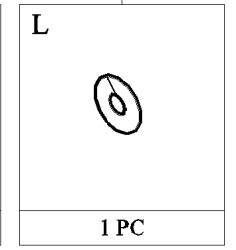
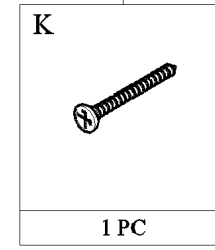
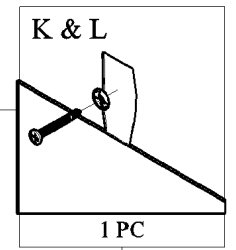
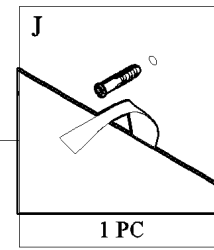
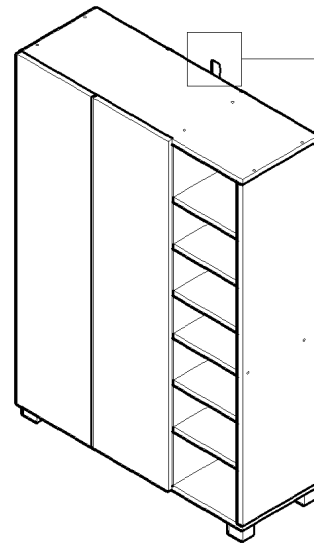
STEP 8



STEP 9



STEP 10



COMPLETED

