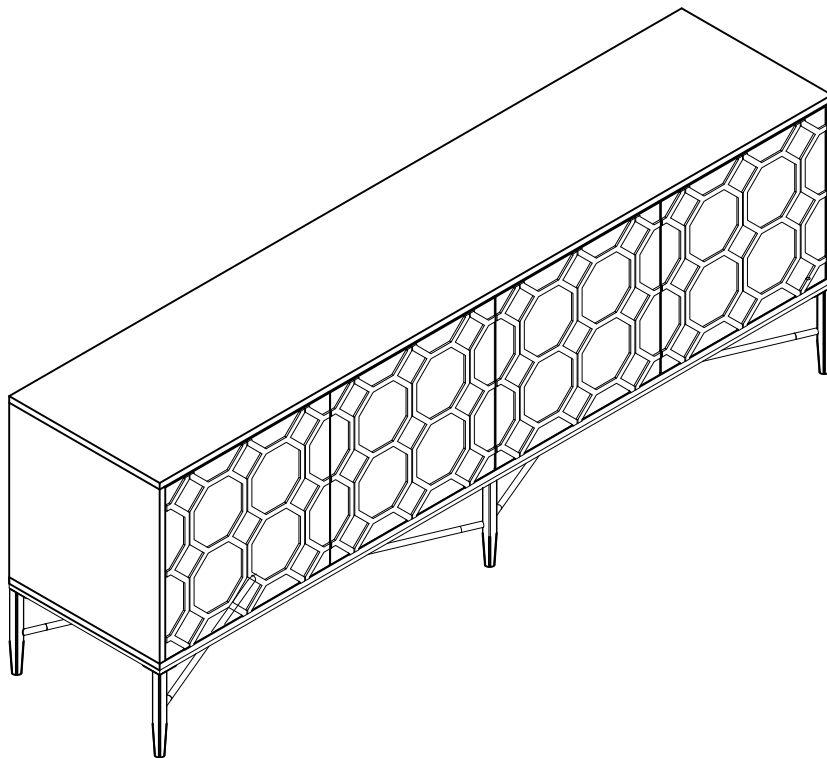


# ASSEMBLY INSTRUCTIONS



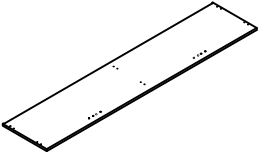
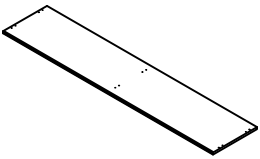
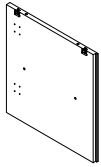
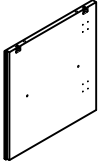
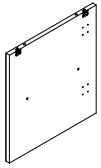
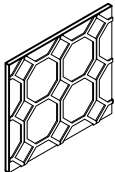
Phone Number: (951) 213-4743  
303-747-4421

Service Contact : [service@clihome.net](mailto:service@clihome.net)

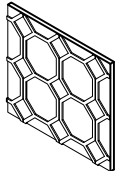
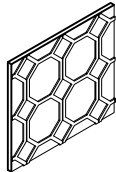
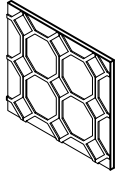
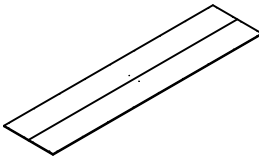

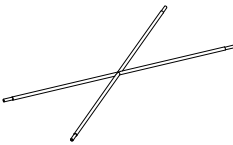
Web: [www.clihome.net](http://www.clihome.net)

# ASSEMBLY INSTRUCTIONS

## Part List:

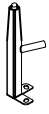

ITEM	DESCRIPTION	PART	QTY
1	Top panel		1
2	Bottom panel		1
3	Left side		1
4	Right side		1
5	Divider		1
6	Left door		1

## Part List:

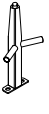
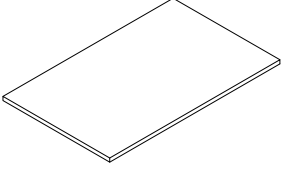
ITEM	DESCRIPTION	PART	QTY
7	Right door		1
8	Middle right door		1
9	Middle left door		1
10	Back panel		1
11	Bottom frame		1
12	"X" bar		2

# ASSEMBLY INSTRUCTIONS

## Part List:





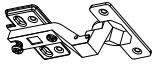
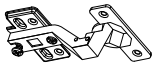


ITEM	DESCRIPTION	PART	QTY
13	Right front leg		2
14	Left front leg		2

## Part List:



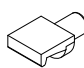




ITEM	DESCRIPTION	PART	QTY
15	Middle leg		2
16	Shelf		2

## ASSEMBLY INSTRUCTION

## Hardware List:

ITEM	DESCRIPTION	PART	QTY
A	Wooden dowel	 $\Phi 8 * 30 \text{mm}$	12
B	Bolt	 $\Phi 1/4" * 32 \text{mm}$	6
C	Bolt	 $\Phi 1/4" * 18 \text{mm}$	8
D	Bolt	 $\Phi 1/4" * 8 \text{mm}$	12
E	Door fitting		4
F	Door fitting		4
G	Wood screw	 $\Phi 3.5 * 12 \text{mm}$	56
H	Round head screw	 $\Phi 3 * 12 \text{mm}$	28

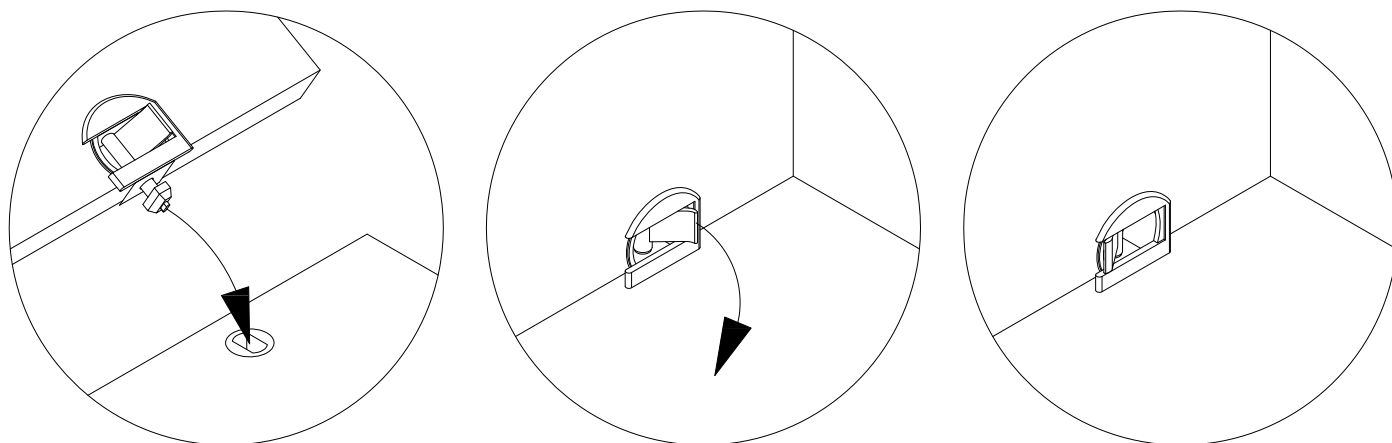
## Hardware List:

ITEM	DESCRIPTION	PART	QTY
I	Magnet		4
J	Allen wrench		1
K	Shelf support		8
L	Safety wall strap		2
M	Plastic anchor		2
N	Mounting screw	 $\Phi 4 * 38 \text{mm}$	2
O	Washer		2



## ASSEMBLY INSTRUCTION

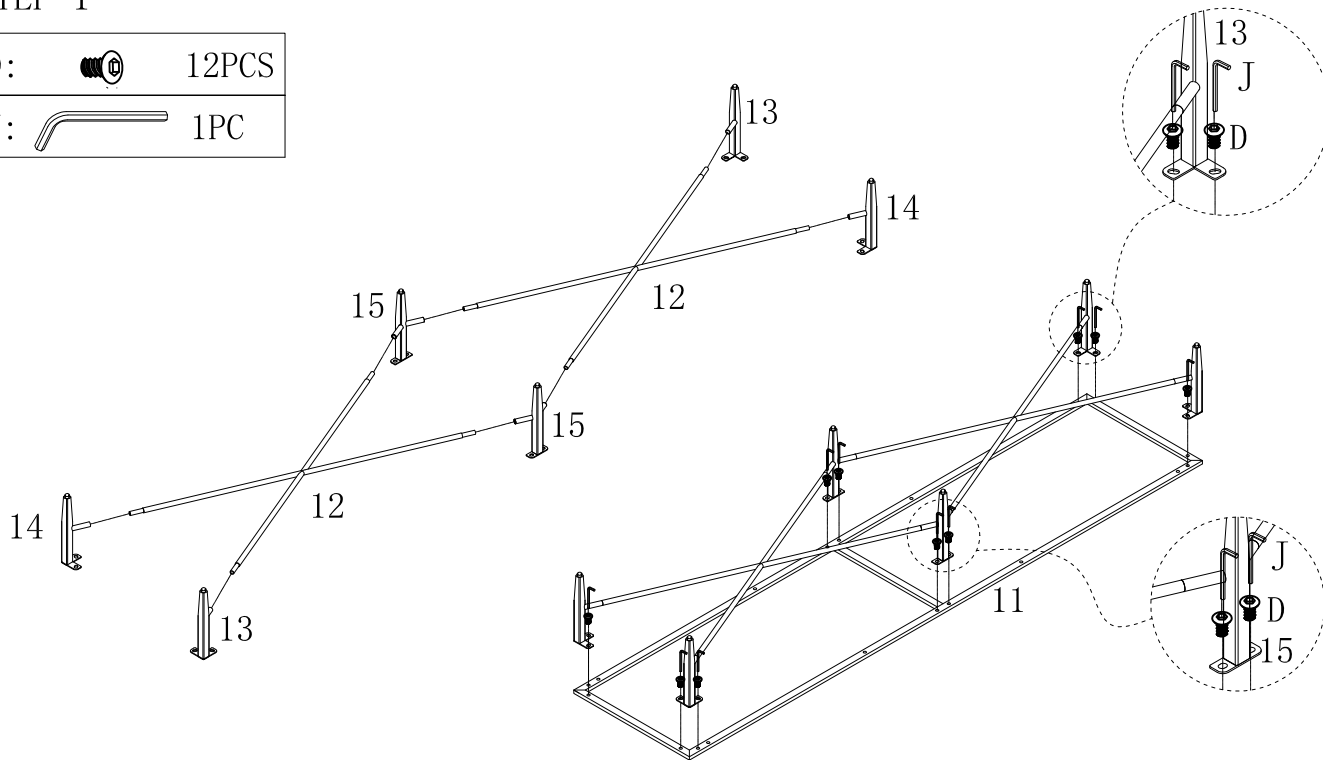
- \* Required screwdriver & mallet, not included.
- \* Before discarding packing materials, please check to make sure that all parts and hardware is present.
- \* Two people needed for assembly.
- \* Please follow the instructions closely; do not over tighten screws or bolts unless instructed.
- \* After a few days from initial assembly, the product may have acclimated to the new environment. Please retighten the hardware.

## Guideline For Assembling of Plastic Lock


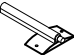


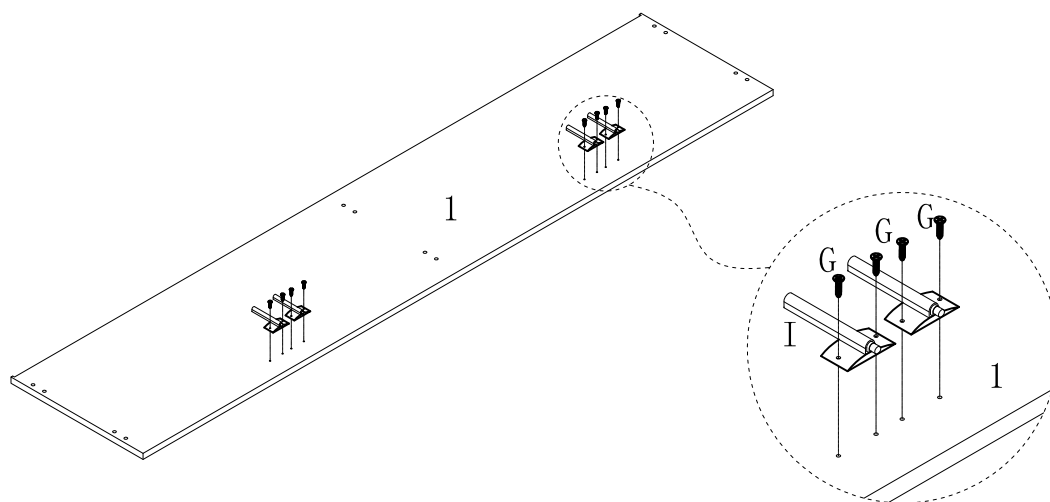
## STEP 1

D:		12PCS
J:		1PC






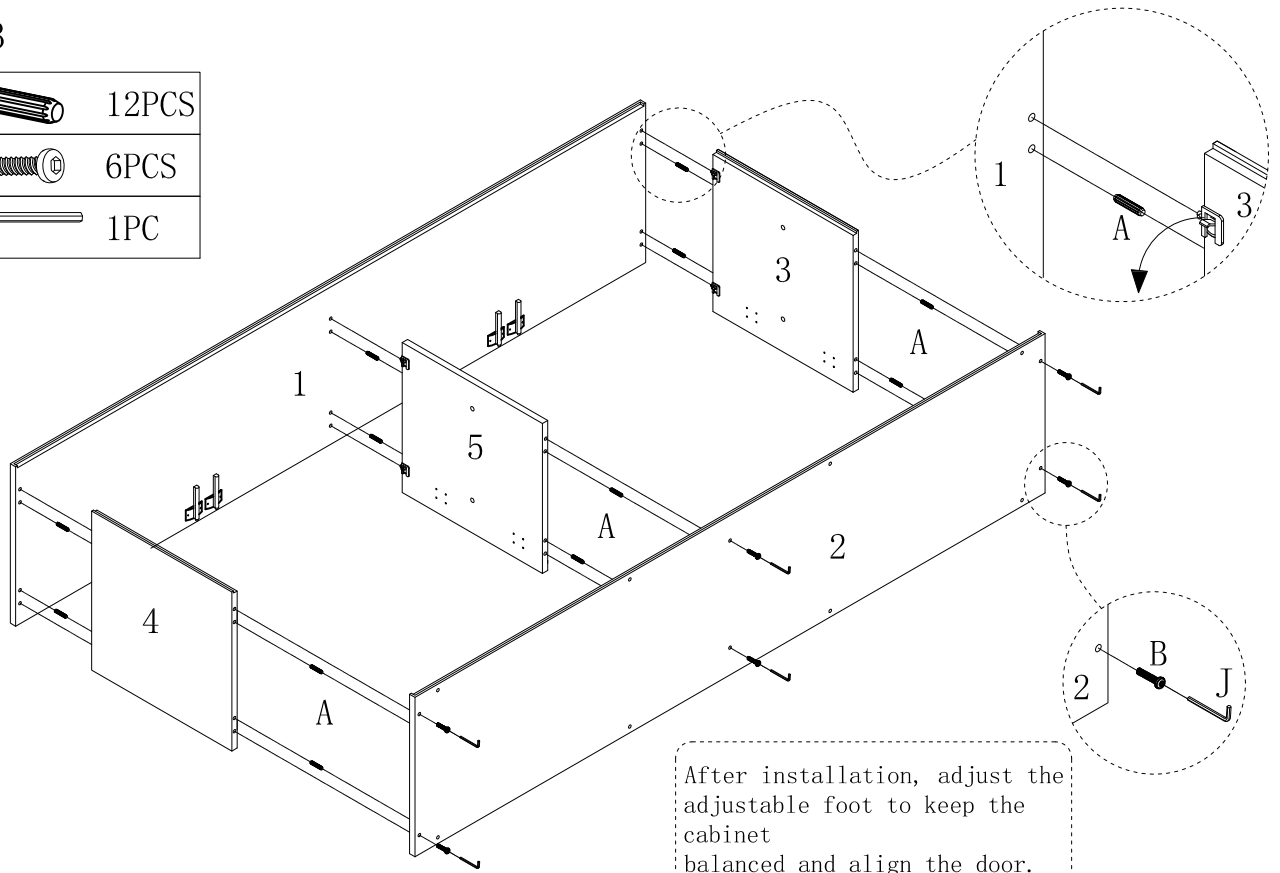
## STEP 2

G:		8PCS
I:		4PCS







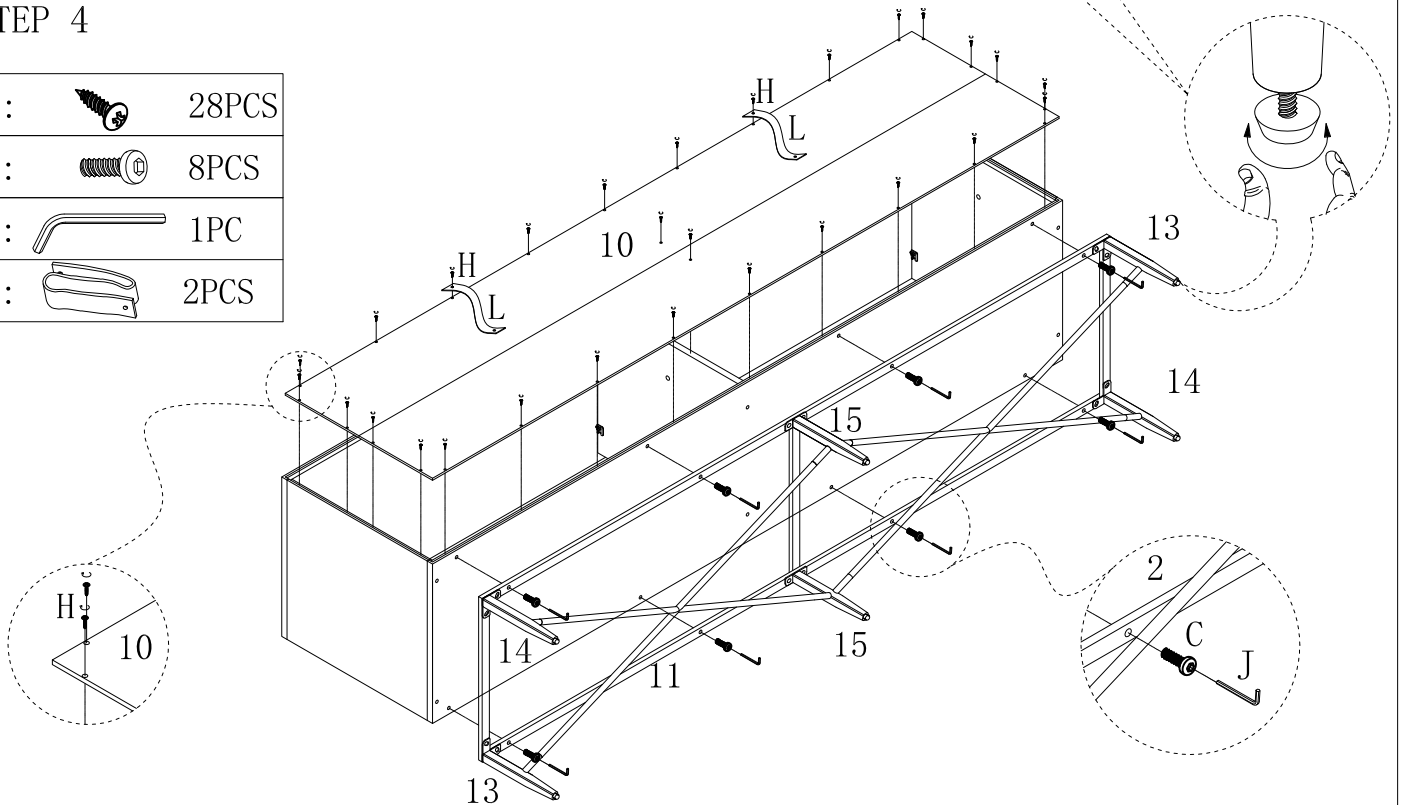
## STEP 3

A:		12PCS
B:		6PCS
J:		1PC




## STEP 4

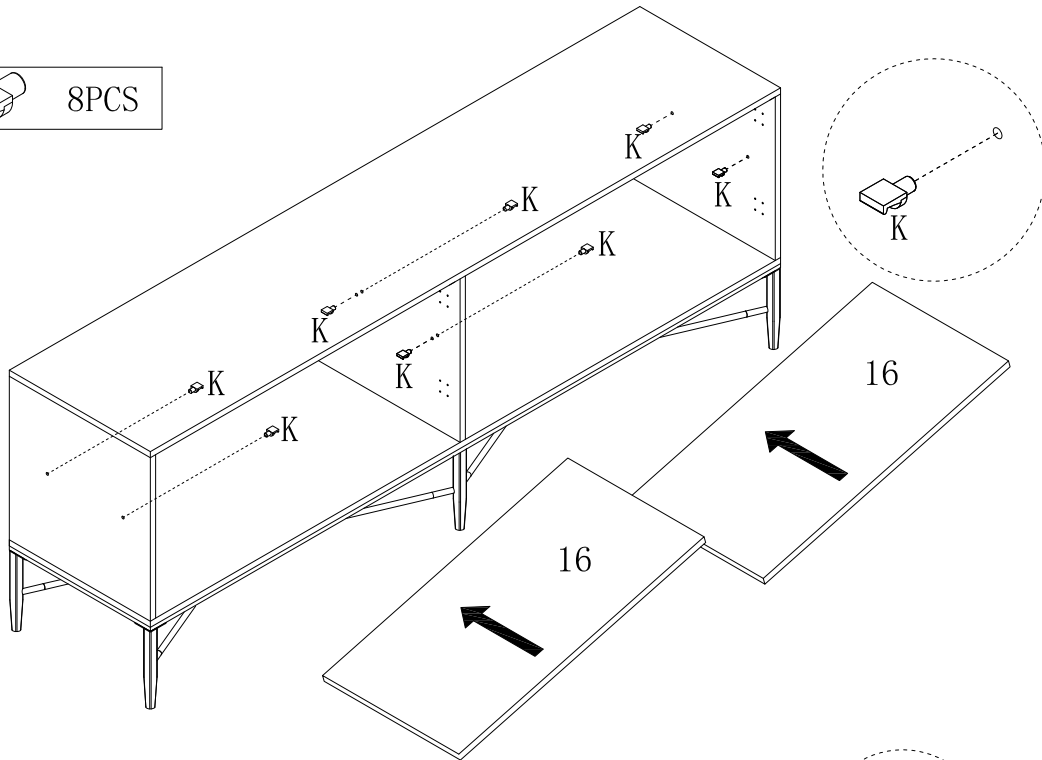
H:		28PCS
C:		8PCS
J:		1PC
L:		2PCS






# ASSEMBLY INSTRUCTION

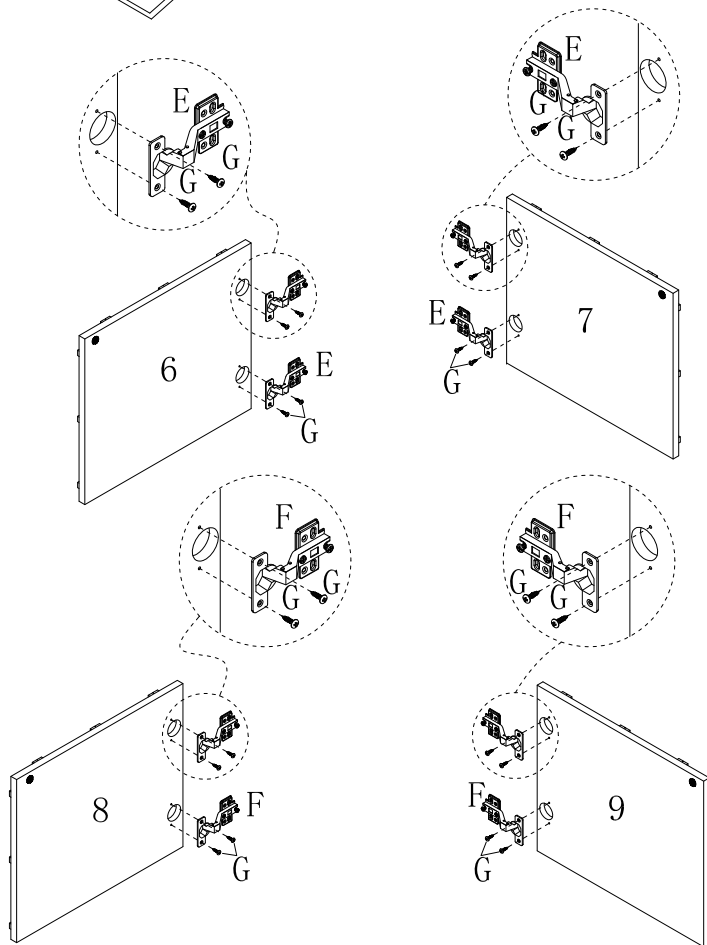
## STEP 5

K:  8PCS



## STEP 6

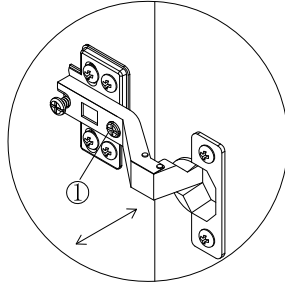
E:  4PCS  
F:  4PCS  
G:  16PCS



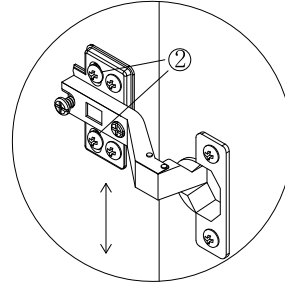
## STEP 7

G:  32PCS

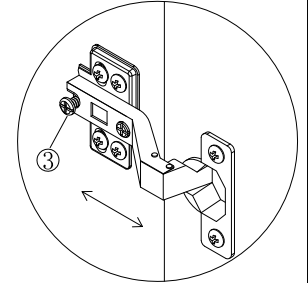
## DOOR FITTING



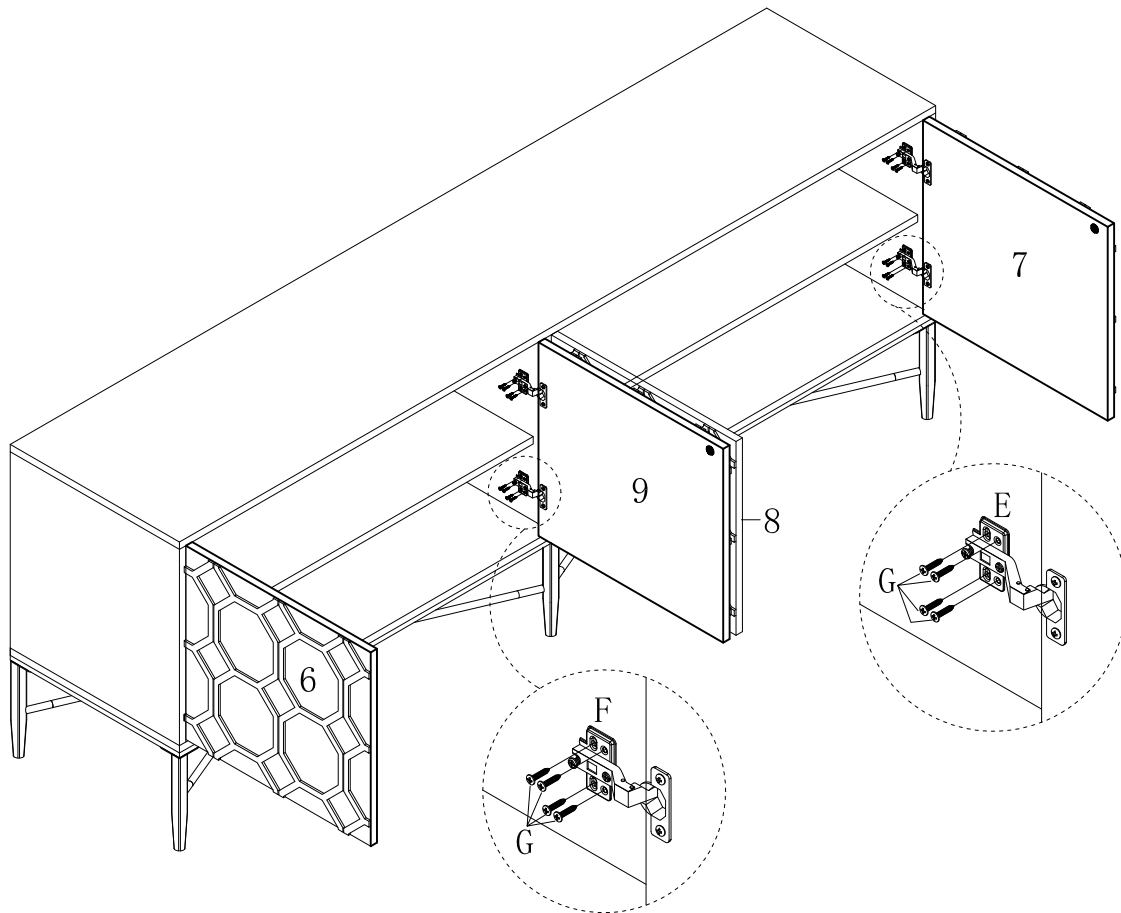
To adjust in width






To adjust in height



To adjust in depth



## STEP 8

M:		2PCS
N:		2PCS
O:		2PCS

