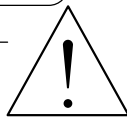
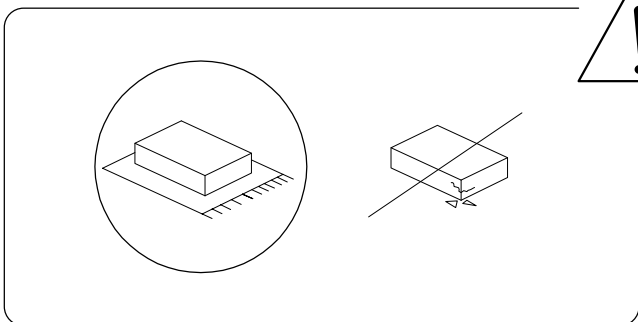

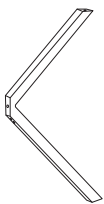
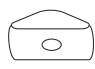
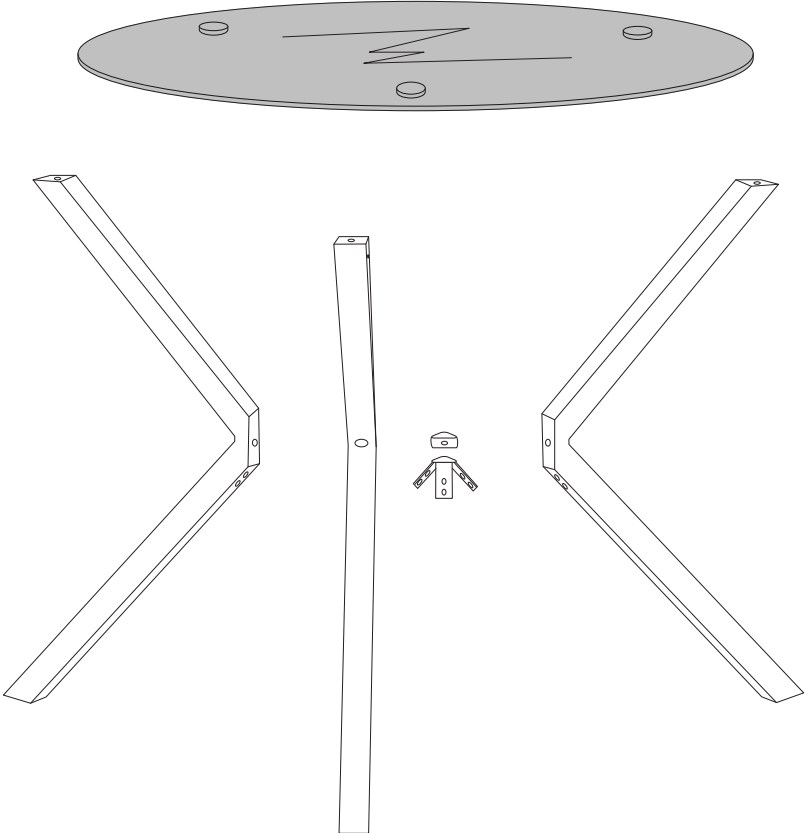


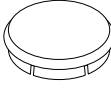
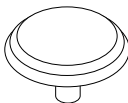
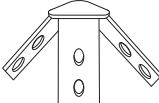
60'



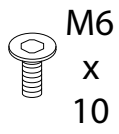
2

<p>1</p>  <p>x 1</p>	<p>2</p>  <p>x 3</p>	<p>3</p>  <p>x 1</p>
---	---	---



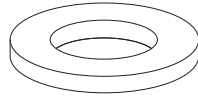
<p>4</p>  <p>x 3</p>	<p>5</p>  <p>x 3</p>	<p>6</p>  <p>x 1</p>
---	---	---

A



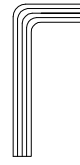
x 6

B



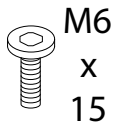
x 6

C



x 1

D



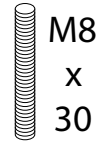
x 3

E



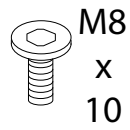
x 3

F



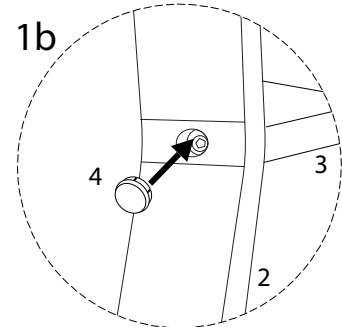
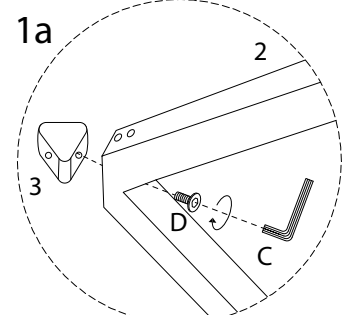
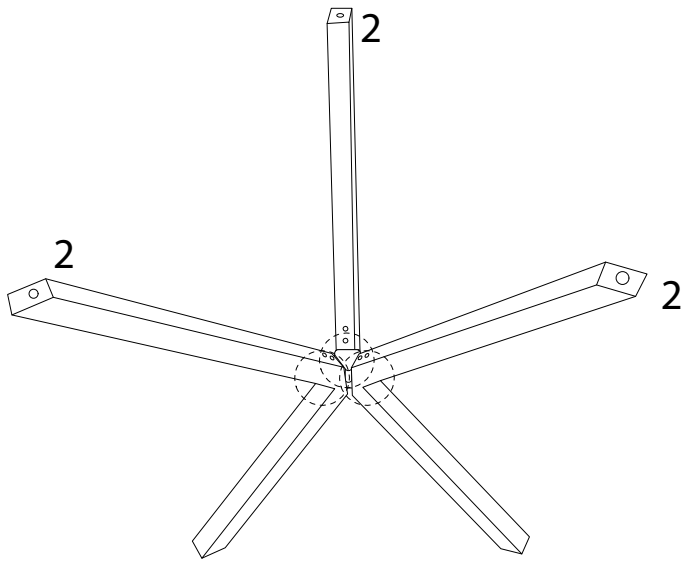
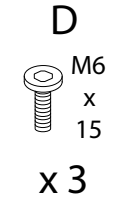
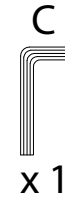
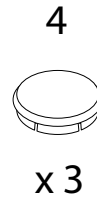
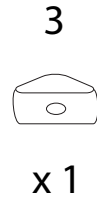
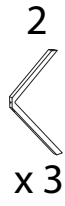
x 3

G

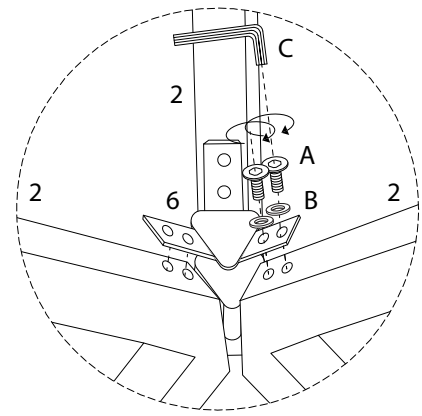
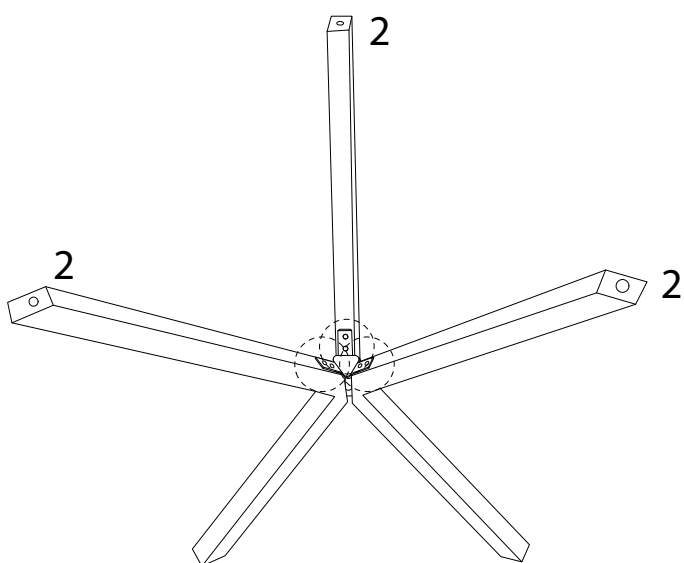
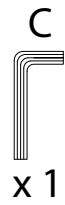
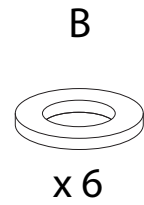
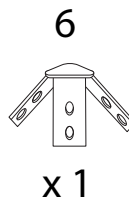


x 3

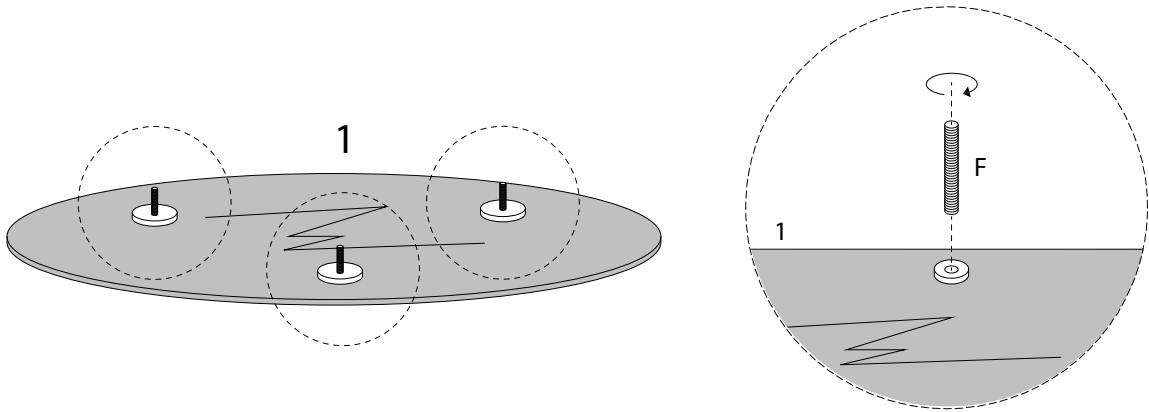
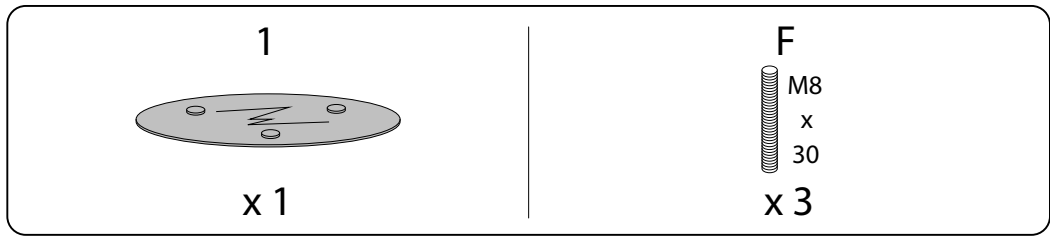
1



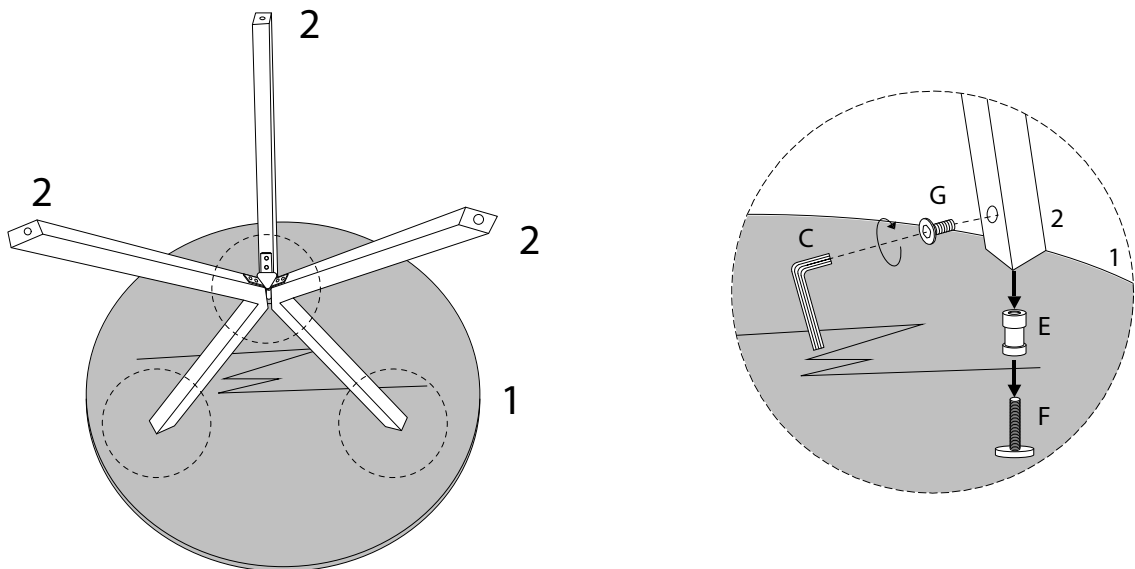
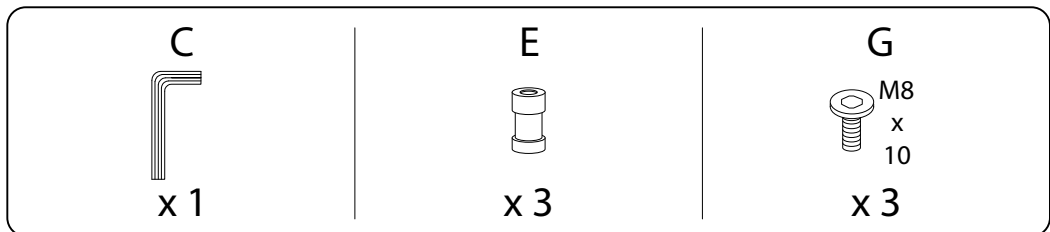
2



3

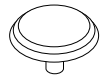


4

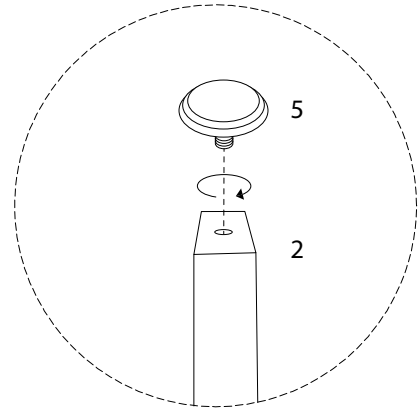
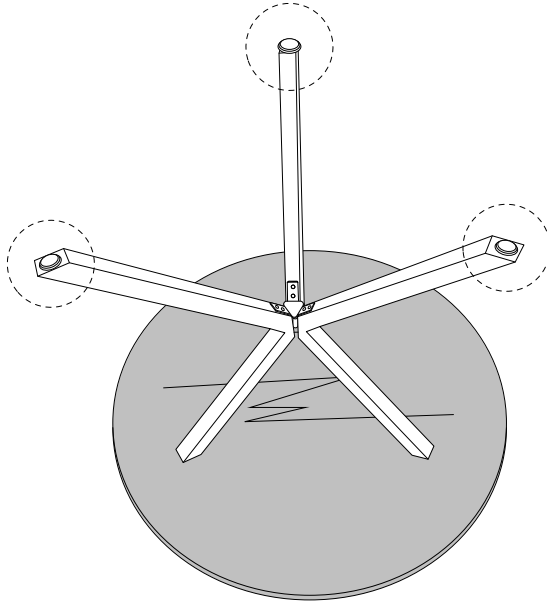


5

5



x 3



!

